



BEARING ENGINEERING CATALOG

- Mounted Roller Bearings
- Sleeveoil Hydrodynamic Bearings
- Plain Bearings
- Journal Bearings
- Take-Up Frames

To receive a copy of the Dodge® Bearing Engineering Catalog, Dodge Gearing Engineering Catalog, Dodge Power Transmission Components Engineering Catalog, or Dodge Product Manuals, contact your local authorized Dodge Distributor or www.baldor.com.

MERCIER ELECTRICITE
 22 rue de Montréal
 Zone acti sud
 85000 LA ROCHE SUR YON
 Tel. 02 51 36 38 94
 Fax. 02 51 36 32 96

MEMBER OF...



AMERICAN GEAR MANUFACTURERS ASSOCIATION



MECHANICAL POWER TRANSMISSION ASSOCIATION



AMERICAN BEARING MANUFACTURERS ASSOCIATION



PARTICIPATING MANUFACTURER
 BEARING SPECIALISTS ASSOCIATION



Member
 Channeling the
 Power of Industry
 POWER TRANSMISSION DISTRIBUTORS ASSOCIATION



CONVEYOR MANUFACTURERS ASSOCIATION



Member of:
 HYDRAULIC INSTITUTE



Dodge Products are
 Manufactured in
 ISO 9002 Certified Plants

Prices and data indicated in this document are for your convenience and were correct at time of printing with the exception of clerical and/or printing errors. Possession of this document by any person or company is not to be construed as an offer to sell to him or to anyone else the goods listed herein at the prices stated.

ALL DATA AND PRICES ARE SUBJECT TO CHANGE WITHOUT NOTICE and shall be subject to those prices in effect at time of shipments. All published and quoted prices are based upon the application of, and all sales are expressly subject to, the Company's Standard Terms and Conditions of Sales are available upon request. This document supersedes all previously published catalog/pricing documents.

WARNING

The information provided for Product Interchange in this catalog is for use only as a general reference by persons qualified to recognize unreasonable selection options. Products suggested as substitutes may have dimensional, rating, pricing and other differences from products to be replaced. This selection method must be used in conjunction with the applicable product catalog which contains important precautions and other pertinent information.

In illustrations throughout this catalog, safety guards have been removed for photographic purposes.

© 2012 Baldor Electric Company

WARNING: Because of the possible danger to person(s) or property from accidents which may result from the improper use of products, it is important that correct procedures be followed: Products must be used in accordance with the engineering information specified in the catalog. Proper installation, maintenance and operation procedures must be observed. The instructions in the instruction manuals must be followed. Inspections should be made as necessary to assure safe operation under prevailing conditions. Proper guards and other suitable safety devices or procedures as may be described or as may be specified in safety codes should be provided, and are neither provided by Baldor Electric Company nor are the responsibility of Baldor Electric. This unit and its associated equipment must be installed, adjusted and maintained by qualified personnel who are familiar with the construction and operation of all equipment in the system and the potential hazards involved. When risk to persons or property may be involved, a holding device must be an integral part of the driven equipment beyond the speed reducer output shaft.

For Additional information and Dodge® Product Manuals on Dodge Bearing Products, Dodge Gearing Products or Dodge PT Components:

- > contact your local authorized Dodge Distributor
- > contact us at **864.297.4800**
- > visit us on the web at www.baldor.com



MERCIER ELECTRICITE

22 rue de Montréal

Zone acti sud

85000 LA ROCHE SUR YON

Tel. 02 51 36 38 94

Fax. 02 51 36 32 96



Baldor Electric Company

P.O. Box 2400, Fort Smith, AR 72902-2400 U.S.A., Ph: (1) 479.646.4711, Fax (1) 479.648.5792, International Fax (1) 479.648.5895

Baldor - Dodge

6040 Ponders Court, Greenville, SC 29615-4617 U.S.A., Ph: (1) 864.297.4800, Fax: (1) 864.281.2433

www.baldor.com



CONTENTS

DODGE BEARING CATALOG

CA3000A VOL. A

REFERENCE GUIDE.....	REFERENCE GUIDE-1
ULTRA KLEEN	B1-1
E-Z KLEEN	B2-1
EXTREME DUTY.....	B3-1
SETSCREW - SC/SCM	B4-1
GRIP TIGHT - GT/GTM	B5-1
D-LOK - DL/DLM	B6-1
ECCENTRIC COLLAR - SXR	B7-1
SETSCREW VSC	B8-1
ECCENTRIC COLLAR - SXV	B9-1
TAKE-UP FRAMES.....	B19-1
ENGINEERING.....	B20-1
Part Number Index.....	INDEX-1
Key Word Index	KEYWORD-1

CA3000B VOL. B

REFERENCE GUIDE.....	REFERENCE GUIDE-1
E-FAMILY	B10-1
SPECIALITY TAPERED.....	B11-1
S-2000	B12-1
UNISPHERE.....	B13-1
IMPERIAL	B14-1
UNIFIED SAF	B15-1
PLUMMER BLOCKS	B16-1
SLEEVE BEARINGS.....	B17-1
SLEEVOIL.....	B18-1
TAKE-UP FRAMES.....	B19-1
ENGINEERING.....	B20-1
Part Number Index.....	INDEX-1
Key Word Index	KEYWORD-1

REFERENCE GUIDE

ULTRA KLEEN - SS Inserts Ball Bearings Page B1-1

- 440C Stainless steel inserts
- Polymer and stainless housings
- 65° Setscrew
- 3/4" - 2" Bore
- 20-50mm Metric bore
- QuadGuard Seal
- Stainless Balls
- Maxlife Cage
- Snap-in style end covers available from stock
- Nomenclature: P2B-SCEZ-100-PSS
 - PSS = Polymer Housing, Stainless Insert
 - SHSS = Stainless Housing, Stainless insert



E-Z KLEEN Ball Bearings Page B2-1

- Two types: polymer housed units and stainless steel housed units
- Two inserts: corrosion resistant (comparable to 440 stainless steel) and standard steel insert with flingers
- Three locking styles: 65° setscrew angle (SC), concentric clamp collar (GT), and thin wall adapter (GT)
- QuadGuard seal
- Snap-in style end covers available from stock
- Maxlife cage
- Optional—BEV modification for the beverage industry
- Interchangeable mounting dimensions with most competitive products
- Anti-rotation device prevents insert rotation associated with light or rotating loads/high-speed applications
- Plus or minus 2° static misalignment



Polymer-Housed Polymer Sleeve Bearings Page B2-1

- Polymer housing contains additive that prevents bacterial and fungal growth
- All polymer and stainless steel construction
- Solid polymer housing has no cavities and no fillings
- Conforms to FDA /USDA specifications
- Polymer sleeve insert with stainless steel anti-rotation pin
- No lubrication required, self-lubricated polymer sleeve insert for maintenance-free operation
- Offered in a wide variety of housing configurations and all popular bore sizes
- Operates in temperatures from -40°F to 180°F
- 3/4 - 1-15/16 size



Extreme Duty / SCED SCMED Ball Bearings Page B3-1

- Synthetic grease / Mobilith SHC 220 PM
- QuadGuard seal
- Maxlife cage
- Snap-in style end covers available from stock
- 65° Setscrew
- Other shaft attachment methods are available upon request
- Wide inner ring design
- Anti-Rotation Pin to prevent insert from spinning in housing
- Grade 10 balls
- Bore Range
 - SC-3/4" to 2-15/16 " 20mm to 75mm
 - SCM-1" to 3-1/2", 25mm to 85mm



REFERENCE GUIDE

Bearing Reference Guide

E-Family Roller Bearings

Specialty Tapered Products

S-2000

UNISPHERE II

IMPERIAL

UNIFIED SAF

Setscrew Ball Bearings Page B4-1

- Two types: normal duty SC, medium duty SCM
- DualGuard seal - comprised of single lip seal and rubberized flinger - standard on all SC/SCM ball bearings. LL Lo Torque Labyrinth seals optional.
- Snap in end covers available from stock for most popular cast housings.
- Interchangeable mounting dimensions with most competitive products
- 65° setscrew angle for greater holding power and ease of installation in confined areas
- Anti-rotation device on SC and SCM bearings prevents insert rotation associated with light or rotating loads/ high-speed applications
- Expansion and non-expansion pillow blocks available for popular SC shaft sizes
- High-temperature option available to 400°F on SC and SCM
- Plus or minus 2° static misalignment



D-LOK Ball Bearings Page B6-1

- Two types: normal duty DL and medium duty DLM
- DualGuard seal - comprised of single lip seal and rubberized flinger - standard on all DL/DLM ball bearings. LL Lo Torque Labyrinth seals optional
- Snap in end covers available from stock for most popular cast housings
- Interchangeable mounting dimensions with most competitive products
- Concentric clamp collar locks the bearing to the shaft by tightening a single Allen wrench cap screw. The bearing will not mar the shaft like setscrew and eccentric collar bearings, providing concentricity between the bearing and shaft
- Anti-rotation device prevents insert rotation associated with light or rotating loads/high-speed applications
- Expansion and non-expansion pillow blocks available for popular shaft sizes
- High-temperature option available to 400°F
- Plus or minus 2° static misalignment



GRIP TIGHT Ball Bearings Page B5-1

- Two types: normal duty GT and medium duty GTM
- DualGuard seal - comprised of single lip seal and rubberized flinger - standard on all GT/GTM ball bearings. LL Lo Torque Labyrinth seals optional
- Snap in end covers available from stock for most popular cast housings
- Interchangeable mounting dimensions with most competitive setscrew, eccentric clamp collar products
- Thin Wall Adapter mounting offers 360° full shaft contact and concentricity. No shaft marring or fretting corrosion like setscrew and eccentric collar products. Integral dismount feature easily removes the bearing from the shaft. Turned, ground, and polished shafting is not required.
- Anti-rotation device prevents insert rotation associated with heavy loads, vibration, unbalanced loads, and high-speed applications
- Expansion pillow blocks available for popular shaft sizes
- High-temperature option available to 400°F
- Plus or minus 2° static misalignment



Eccentric Collar Ball Bearings Page B7-1

- Two types: normal duty SXR and SLX
- DualGuard seal - comprised of single lip seal and rubberized flinger - standard on all SXR ball bearings. LL Lo Torque Labyrinth seals optional
- Snap in end covers available from stock for most popular cast housings
- Interchangeable mounting dimensions with most competitive products
- Eccentric collar locks the bearing to the shaft by a quarter turn of the collar in direction of shaft rotation. Collar is secured in place with setscrew
- Anti-rotation device on SXR prevents insert rotation associated with light or rotating loads/high-speed applications
- Expansion and non-expansion pillow blocks available for popular SXR shaft sizes
- High-temperature option available to 400°F on SXR
- Plus or minus 2° static misalignment



Setscrew VSC, SL Ball Bearings Page B8-1

- Intermediate duty
- Wide inner ring
- 65° setscrew
- ProGuard lip seal
- Plus or minus 2° static misalignment



REFERENCE GUIDE

Eccentric SXV Collar, SLX Ball Bearings Page B9-1

- Intermediate duty
- Wide inner ring
- ProGuard lip seal
- Eccentric locking collar
- Plus or minus 2° static misalignment



Air Handling Ball Bearings Page B5-12, B4-16, B6-12

- Thin wall adapter: normal duty GTAH and medium duty GTMAH
- Setscrew: normal duty (SCAH) and medium duty (SCMAH)
Concentric clamp collar: normal duty (DLAH) and medium duty (DLMAH)
- Single-lip contact seal (standard on SCAH and SCMAH), single-lip contact seal with flingers (optional on SCAH and SCMAH, standard on DLAH, DLMAH and GTAH, GTMAH), low-torque labyrinth seal (optional), end covers available from stock
- Interchangeable mounting dimensions with most competitive products
- Anti-rotation device prevents insert rotation associated with light or rotating loads/high-speed applications
- Plus or minus 2° static misalignment
- Expansion and non-expansion pillow blocks available for popular shaft sizes
- High-temperature option available to 400°F



Type E Tapered Roller Bearings (E-XTRA) Page B10-3

- Tapered rolling elements
- Completely assembled, factory adjusted, and properly lubricated—shaft ready
- XTS triple lip seal
- Extra protection—E-TECT™ seal option
- Comparable mounting dimensions with ball bearings
- E-XTRA allows easy upgrade from ball bearings



Type EXL Tapered Roller Bearings Page B10-4

- XTS Triple-Lip Seal
- Up to ± 4° of misalignment capability
- Totally Sealed Inner Unit
- High Strength Ductile Iron Housings
- Available in Expansion and Non-Expansion Housings



Double-Interlock Tapered Roller Bearings Page B10-5

- Tapered roller bearing durability in a variety of styles
- XTS triple lip seal
- Extra protection E-TECT seal option
- Special clearances and greases available
- Self aligning
- Factory assembled, adjusted, and lubricated—shaft ready
- Sealed bearing



Type K Tapered Roller Bearings Page B10-5

- Tapered roller bearing with reduced length through bore
- Single collar design saves space and installation time
- Allows bearing to be closer to the load for reduced shaft design
- Self aligning
- Factory assembled, adjusted, and lubricated—shaft ready
- Same housing as double-interlock
- XTS triple lip seal
- Extra protection - E-TECT™ Seal Option



TAF Tapered Roller Bearings Page B10-6

- Tapered bearing is a cost-saving alternative to SAF spherical bearings
- Shaft ready—mounts six times faster than SAF
- Interchangeable with SAF style pillow blocks
- Self aligning, factory assembled, adjusted, and lubricated
- XTS triple lip seal
- E-TECT seal option available up to 5"
- Optional sensors for speed, vibration, and temperature
- Up to 5° static misalignment



Type C Specialty Tapered Bearings Page B11-5

- Two single-row tapered bearings press-fitted on sleeve
- Improved concentricity over other collar-mounted types of bearings
- Steel multiple labyrinth seals
- Rugged two-piece outer housing
- Positive concentric clamp sleeve mounting
- Heavy duty gray iron



REFERENCE GUIDE

Bearing Reference Guide

E-Family Roller Bearings

Specialty Tapered Products

S-2000

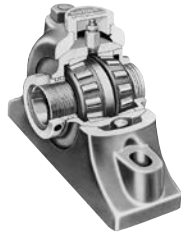
UNISPHERE II

IMPERIAL

UNIFIED SAF

Special Duty Tapered Roller Bearings Page B11-3

- Quality duplex tapered roller bearing
- Tapered adapter sleeve mounting
- Effective piston ring seals
- Rugged two-piece housing
- Heavy duty gray iron



S-2000 Spherical Roller Bearings Page B12-1

- High-capacity, double-row spherical rollers
- Permits static or dynamic misalignment up to +/- 1°
- Factory sealed, lubed, and adjusted
- Features springlok® collar that acts as a flinger
- Available with TRIDENT triple lip or labyrinth seal options
- 65° springlok collar mount for increased holding power vs. 90° or 120°
- Setscrew mounted
- S2000, S2000-E, and S2000-HD housing designs



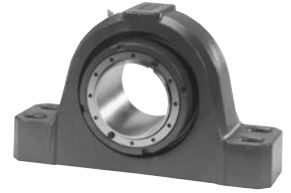
UNISPHERE II Spherical Roller Bearings Page B13-1

- Dimensionally interchangeable with ball bearings in length through bore, base-to-center height, and footprint
- Approximately five times the rating of ball bearings
- Features same rolling elements and installation-ready components as S-2000
- Maintains sealing effectiveness with proven “R” seal
- Tapered seal area maintains seal contact during maximum misalignment
- Springlok collar mount with 65° setscrew spacing for optimum clamping force



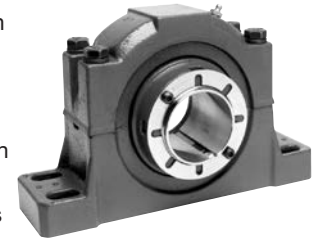
Imperial IP Spherical Roller Bearings Page B14-1

- Industry’s only push/pull adapter mount system
- Available in 2-bolt and 4-bolt pillow blocks, flanges, and take-ups
- Accepts commercial tolerance shafting
- Installation and removal in less than 15 minutes
- Full concentric shaft attachment with adaptor sleeve mount
- Virtually eliminates fretting corrosion
- Capable of withstanding static or dynamic misalignment of ± 1°
- Shaft-ready out of the box
- Available with TRIDENT triple lip or labyrinth seal options
- IP, IP-E, IP-HD and ISN housing design



ISAF Spherical Roller Bearings Page B14-10

- Dimensionally interchangeable with SAF style pillow blocks
- Patented Imperial™ adapter mounting system
- Installation and removal in less than 15 minutes
- Easy installation—no feeler gauges needed
- Available with TRIDENT triple lip or labyrinth seal options
- Full 2° misalignment capability
- Virtually eliminates fretting corrosion
- Shaft-ready out of the box, no assembly of components necessary



ISAF HYD Spherical Roller Bearings Page B14-10

- Patented integral hydraulic mounting and dismounting
 - Built in taconite style seals in addition to conventional rubbing seals
 - Four-bolt pillow blocks 5-7/16” through 15”
 - 22232K through 23176K double row spherical bearings
 - Ductile iron housings
- ISNX metric dimensioned housing also available



REFERENCE GUIDE

ISN Spherical Roller Bearings Page B14-1

- Patented ISN “Push/Pull” adapter mounting system
- Eliminates need for feeler gauges
- Easy removal
- Expansion & non-expansion, field convertible
- Triple lip contact seals for wet or dirty applications
- Labyrinth non-contact seals for high speed & high temperature applications



ISNX HYD Spherical Roller Bearings Page B16-20

- Patented integral hydraulic mounting and dismounting
- Built-in taconite style seals in addition to conventional rubbing seals
- Four-bolt plummer blocks for 150mm through 360mm
- 22134K through 23176k double row spherical bearings
- Ductile iron housings



USAF Spherical Roller Bearings Page B15-3

- 22200, 22300, 23000, 23100, and 23200 Series
- Industry-standard dimensions interchangeable with SAF housings
- Five sealing options to match most operating conditions
- Cast-in dimples locate drill holes for lube fitting, vents, sensors, and mounting modifications
- Standard housings have two oversized drains adaptable for circulating oil systems
- Pry slots allow easy separation of the pillow block



Split-Spher Spherical Roller Bearings Page B15-5

- Split-race spherical bearing fits USAF 500 housings and replaces bearing and adapter assemblies
- Easy to replace without removing other shaft-mounted components
- Only split-race bearing made to standard SAF pillow block dimensions
- Has same OD dimensions as a standard spherical bearing
- Uses 22200 Series split roller bearings



SNX Spherical Roller Bearings Page B16-25

- Dimensionally interchangeable plummer block with metric SN housing
- General-purpose, high-capacity, double-row, spherical roller bearings
- Adapter and direct mount
- Five different sealing options to match most operating conditions
- Grease or oil lubrication
- SNX30 from 110mm through 170mm



SDX (cast iron), SDXD (ductile iron) Spherical Roller Bearings Page B16-46

- Metric dimensioned plummer block housing
- Accepts 23000K and 23100K bearings
- Sized from 150mm through 320mm
- Direct seal greasing standard

REFERENCE GUIDE

Bearing Reference Guide

E-Family Roller Bearings

Specialty Tapered Products

S-2000

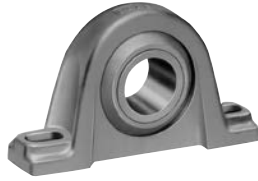
UNISPHERE II

IMPERIAL

UNIFIED SAF

SOLIDLUBE Sleeve Bearings Page B17-2

- Functions in harsh environments where ball bearing will not
- Self-lubricating, statically self aligning
- Covers a wide range of temperature extremes
 - 700 Series: -40°F to 700°F
 - 1000 Series: -200°F to -40°F and 250°F to 1000°F
- Housing types: 2-bolt pillow blocks, 4-bolt and 2-bolt flange units, and take-up units
- Ideal where bearings are subject to dry cycles or where lube systems would be too costly
- Recommended for slow speeds and limited shaft movement applications
- Bore sizes 3/4" to 8"



Babbitted & Bronze Bushed Sleeve Bearings Page B17-3

- Good for slow to medium and shock loads
- Good for slow speeds and shock loads
- Capable of MPTA load ratings
- Cast-iron housings in 2- and 4-bolt pillow blocks
- Babbitted bearing features solid or fully split housing
- Bronze bushed bearing features fully split housing
- Bronze bushing is split and easily replaced



BRONZOIL Sleeve Bearings Page B17-2

- Self Oiling Bushing Feeds Oil to Shaft
- Split Pressed Steel Housing
- Statically Self-Aligning
- Bushing Shoulder Provides Self-Lubricating Bearing Thrust Surface
- Slotted Bolt Holes
- Oil Resistant Rubber Grommets Available for Sound Isolation and Static Electricity Protection



SLEEVOIL R Series Hydrodynamic Pillow Block Bearings Page B18-1

- Extended life (no metal-to-metal contact during operation)
- Handles high speeds
- Dampens vibration, provides quiet operation
- Fully split for ease of maintenance
- Self aligning
- Thrust capability
- External cooling (air, water, or oil) available for hot shafts



SLEEVOIL RTL Series Hydrodynamic Pillow Block Bearings Page B18-1

- Extended life (no metal-to-metal contact during operation)
- Handles high speeds
- Dampens vibration, provides quiet operation
- Fully split for ease of maintenance
- Self aligning
- Three times the thrust load capability of R Series
- External cooling (air, water, or oil) available for hot shafts



SLEEVOIL Oil Level & Filtration System (OLF) Page B18-30

- Maintains proper oil level while bearing is running
- Increases bearing performance and life
- Allows even oil distribution and cooler operating temperatures
- Ensures filtered clean oil
- Permits easy filter change while bearing is operating



REFERENCE GUIDE

Take-Up Frames

Page B19-1

- 6 take-up frame types available from stock
- Standard take-up frame travel from 1-1/2" to 60"
- Take-up frames allow for the mounting of Dodge ball, roller, and sleeve bearings
- Take-up frame capacity is pre-engineered to exceed bearing capacity
- Made to provide/maintain tension and shaft centers on a variety of belt and chain-type conveyors
- Hydraulic and pneumatic tensioning available



Smart Products

Page B10-67, B14-103, B15-54

- Online monitoring of temperature, vibration, and speed
- Plug and play installation
- Available on TAF, USAF, and ISAF



BALL BEARING INDEX

Bearing Reference Guide

E-Family Roller Bearings

Specialty Tapered Products

S-2000

UNISPHERE II

IMPERIAL

UNIFIED SAF

		HOUSING					
		P2B-	TB-	F2B-	LFT-	FB-	LF- / F3B-
I N S E R T S		P2B-GT-B5-8 P2B-GTEZ -PCR-B2-44 -SHCR-B2-26 P2B-GTM-B5-20	TB-GT-B5-24 TB-GTEZ -PCR-B2-50	F2B-GT-B5-24 F2B-GTEZ -PCR-B2-54 -SHCR-B2-30 F2B-GTM-B5-30		FB-GT-B5-33 FB-GTEZ -PCR-B2-58	
		P2B-SC-B4-12 P2B-SCRZ -PCR-B2-46 -SHCR-B2-26 P2B-SCM-B4-26 P2B-SL-B4-30	TB-SC-B4-32 TB-SCEZ-B2-29	F2B-SC-B4-34 F2B-SCEZ -PCR-B2-56 -SHCR-B2-31 F2B-SCM-B4-42 F2B-SL-B4-48	LFT-SC-B4-46 LFT-SCEZ-B2-33	FB-SC-B4-50 FB-SCRZ -PCR-B2-59 -SHCR-B2-34	LF-SC-B4-52 LF-SCEZ-B2-33 F3B-SL-B4-53
		P2B-VSC-B8-8		F2B-VSC-B8-14			
		P2B-SXR-B7-12	TB-SXR-B7-22	F2B-SXR-B7-24			
		P2B-SXV-B4-6	TB-SXV-B9-12	F2B-SXV-B9-16	LFT-SXV-B9-18		LF-SXV-B9-22
		P2B-DL-B6-10 P2B-DLEZ -PCR-B2-48 -SHCR-B2-28 P2B-DLM-B6-18	TB-DL-B6-22 TB-DLEZ-PCR-B2-52	F2B-DL-B6-26 F2B-DLEZ -PCR-B2-57 -SHCR-B2-32 F2B-DLM-B6-30	LFT-DL-B6-31	FB-DL-B6-33 FB-DLEZ-B2-60	LF-DL-B6-32



Not Recommended



Made to Order / Modification Required

BALL BEARING INDEX

HOUSING						
F4B-	FC-	NSTU- / WSTU- / TP-	HNG-	SCHB-	CYL-	
F4B-GT-B5-35 F4B-GTEZ -PCR-B2-62 -SHCR-B2-35 F4B-GTM-B5-42	FC-GT-B5-46 FC-GTM-B5-48	NSTU-GT/GTM -B5-50 & 52 WSTU-GT/GTM- B5-54&58 WSTU-GTEZ -PCR-B2-66 TP-GT/GTM-B5-60&61				 GT- / GTEZ- / GTM-
F4B-SC-B4-54 F4B-SCEZ -PCR-B2-64 -SHCR-B2-36 F4B-SCM-B4-60 F4B-SL-B4-64	FC-SC-B4-66 FC-SCM-B4-68	NSTU-SC-B4-70 NTSU-SCM-B4-73 TP-G-B4-82 NSTU-SCEZ-B2-38 WSTU-SCEZ -PCR-B2-68 WSTU-SCM-B4-78 WSTU-SC-B4-74	HNG-SC-B4-86	SCHB-SC-B4-84	CYL-SC-B4-87	 SC- / SCM- / SL-
F4B-VSC-B8-16		WSTU-VSC-B8-20 NSTU-VSC-B8-18				 VSC-
F4B-SXR-B7-28	FC-SXR-B7-30	WSTU-SXR-B7-34 NSTU-SXR-B7-32 TP-GXR-B7-36	HNG-SXR-B7-37	SCHB-SXR-B7-38	CYL-SXR-B7-39	 SXR-
F4B-SXR-B9-24 F4B-SLX-B9-26	FC-SXV-B9-28	NSTU-SXV-B9-30 WSTU-SXV-B9-32				 SXV-
F4B-DL-B6-34 F4B-DLEZ -PCR-B2-65 -SHCR-B2-37 F4B-DLM-B6-36	FC-DL-B6-38 FC-DLM-B6-40	NSTU-DL-B6-42 NSTU-DLM-B6-44 WTSU-DLEZ -PCR-B2-70 WSTU-DL-B6-46 WSTU-DLM-B6-48 TP-DL-B6-50 TP-DLM-B6-51		SCHB-DL-B6-52	CYL-DL-B6-53	 DL- / DLEZ- / DLM-

INSERTS

Not Recommended

Made to Order / Modification Required

Bearing Reference Guide

E-Family Roller Bearings

Specialty Tapered Products

S-2000

UNISPHERE II

IMPERIAL

UNIFIED SAF



BALL BEARING INDEX

Bearing Reference
Guide

E-Family Roller
Bearings

Specialty Tapered
Products

S-2000

UNISPHERE II

IMPERIAL

UNIFIED SAF

CONTENTS



Type E-Xtra/DOUBLE-INTERLOCK®/Type K/TAF

Features / Benefits	
Type E-Xtra	B10-2
Type EXL, Pillow Block Inner Unit	B10-4
DOUBLE-INTERLOCK & Type K	B10-5
TAF	B10-6
Specifications	B10-8
How to Order	B10-9
Nomenclature	B10-10
Selection (Inch)	B10-11
Easy Selection Table - Inch	B10-15
Engineering/Technical	B10-17
Selection/Dimensions - Inch	
Type E-Xtra	
Pillow Block	B10-22
Flanges	B10-26
Take-Ups	B10-30
Type EXL	
Pillow Block	B10-34
Inner Units	B10-38
Type K	
Pillow Block	B10-40
Flanges	B10-42
Inner Units	B10-44
Take-Ups	B10-46
DOUBLE-INTERLOCK	
Pillow Block	B10-50
Flanges	B10-54
Inner Units	B10-56
TAF	
Pillow Block	B10-58
Inner Units	B10-62
Modification/Accessories	
Type E-Xtra End Closures and E-TECT Seals	B10-64
Type K, DOUBLE-INTERLOCK and TAF End Closures and E-TECT Seals	B10-65
Selection - TAF Smart Bearings	B10-67
Easy Selection - Type E-Xtra Metric	B10-68
Selection/Dimensions - Metric	
Type E-Xtra - Metric	B10-74
DOUBLE-INTERLOCK - Metric	B10-76
Part Number Index	INDEX-1
Key Word Index	KEYWORD-1



FEATURES/BENEFITS

Bearing Reference Guide

E-Family Roller Bearings

Specialty Tapered Products

S-2000

UNISPHERE II

IMPERIAL

UNIFIED SAF

Type E-Xtra/DOUBLE-INTERLOCK/Type K/TAF/EXL

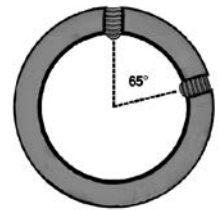
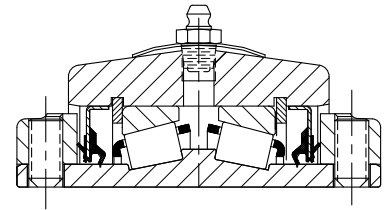
These five product lines have many common features and benefits that are shown on this page. Unique features for each product are shown on the following pages.

The common components used by all four lines include:

- Bearings
- Seals
- Locking collars
- Bore range

General Features:

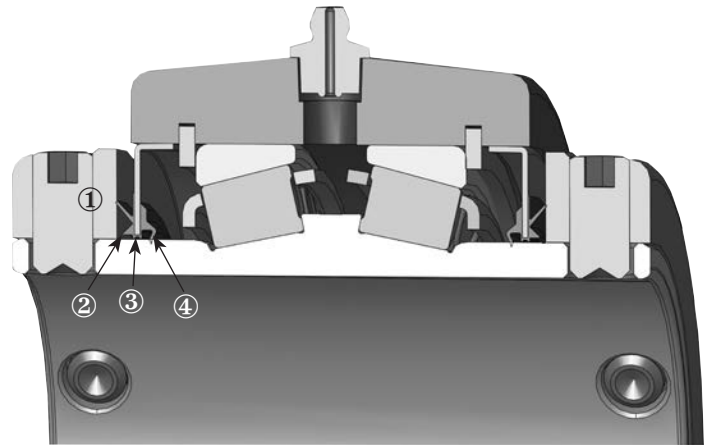
- Factory assembled, adjusted and prelubricated
- Case hardened rollers and races
- Easy installation and maintenance
- 65 degree set screw angle Springlok collar/ flingers - more holding power than 90 to 120 degree
- Triple rubber lip contacting seals



E-Xtra Tough Sealing

Importance of Sealing:

- 40% of mounted bearing failures in the industry involve liquid or solid contamination or lack of adequate lubrication
- Obstructs contaminant entry
- Retains essential lubrication
- Increased life equals decreased downtime

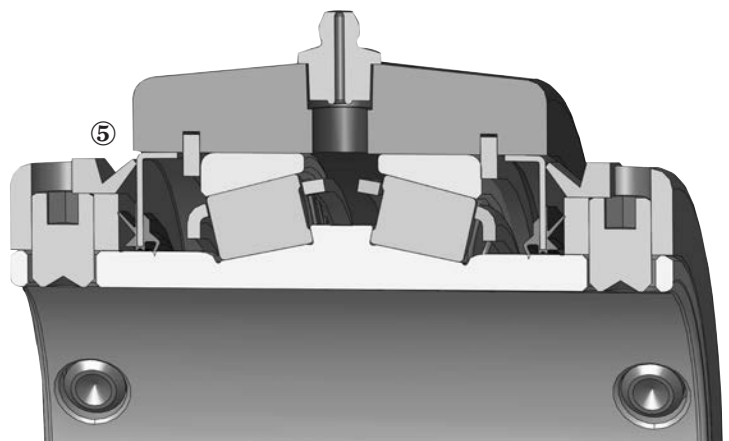


XTS Sealing

XTS Sealing System

Standard on all Baldor Dodge Type E-Xtra, EXL, TAF, Double Interlock and Type K Bearings

1. Collar-riding seal lip provides the first level of defense against contaminants
2. Trash guard protects inner seals
3. Primary contact seal protects internal components and helps retain grease
4. Contact seal for grease retention and secondary trash guard for increased protection
5. Optional E-Tect seal kit for harsh-duty environments



XTS Sealing with E-Tect Option

NOTE: Instruction manuals for Dodge bearings are available on www.dodge-pt.com



FEATURES/BENEFITS

Type E-Xtra

DODGE Type E One Bearing, One Seal For Dusty or Damp Environments



- “E” stands for economy
- Type E allows easy upgrade from ball bearings
- Comparable mounting dimensions with ball bearings
- Moderate price premium vs. ball bearings
- Steel housed pillow blocks available in selected sizes

The Original DODGE Type E Bearing, Only Better

- New Dodge manufactured bearings increase load ratings 13-14% depending on size
- New “XTS” seal provides added protection against contamination
- Completely assembled, factory adjusted and properly lubricated - shaft ready
- Stocked in all configurations
- Extra protection - E-TECT seal option
- Steel end covers available up to 3”, 75mm



Top Angle Take-Ups
1-3/4 to 4”
45 - 100mm



Center Pull Frame With
Wide Slot Take-UP
1-3/8 to 3”
35 - 75mm



Pillow Block
1-3/16 to 7”
35 - 180mm



Piloted Flange
1-3/16 to 5”
35 - 125mm



Flange
1-3/16 to 4-1/2”
35 - 115mm



FEATURES/BENEFITS

Type EXL for Extended Life

The Dodge Type EXL offers misalignment and expansion capability by incorporating a totally sealed inner unit into a split housing design with standard Type E mounting dimensions.

Standard Features

- XTS Triple-Lip Seal
- Up to $\pm 4^\circ$ of misalignment capability
- Totally Sealed Inner Unit
- High Strength Ductile Iron Housings
- Available in Expansion and Non-Expansion Housings

Product Offering

2-Bolt Pillow Blocks: 1-3/16" - 3-1/2"

4-Bolt Pillow Blocks: 2-1/4" - 5"





FEATURES/BENEFITS

Type K and DOUBLE-INTERLOCK

DODGE DOUBLE-INTERLOCK COMBINES DURABILITY WITH MOUNTING FLEXIBILITY

Heavy Duty Housing Construction Has Proven Performance

- Offers tapered roller bearing durability in a variety of mounting styles
- “XTS” triple lip seal standard
- Extra protection E-TECT Seal Option
- Special clearances and greases available
- Self aligning
- Factory assembled, adjusted and lubricated - **shaft ready**
- End covers available up to 5”



Pillow Block
1-3/16 to 7”



Flanges
1-3/16 to 5”



S-1 Unit



B-1 Unit
1-3/16 up to 5”

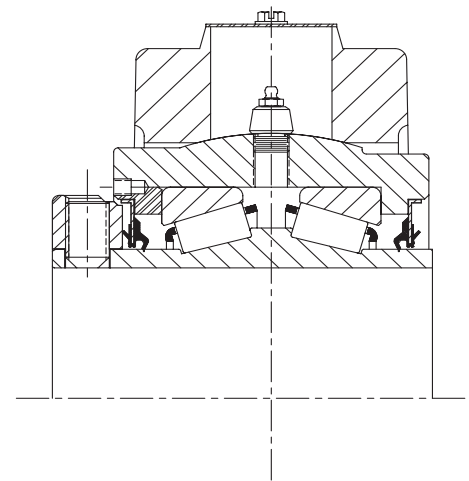


D Unit
1-3/16 up to 5”

DODGE TYPE K FITS WHERE COMPETITORS WON'T

Tapered Roller Bearings With Reduced Length Thru Bore

- Reduces length thru bore design in a variety of mounting styles
- Single collar design saves space and installation time
- Allows bearing to be closer to the load for reduced shaft design
- Self-aligning
- Factory assembled, adjusted and lubricated - shaft ready
- Same housing as DOUBLE-INTERLOCK
- End covers available up to 5”



S-1 & B-1 Units
1-3/16 - 3-15/16”



Pillow Block
Expansion & Non-Expansion
1-3/16 - 3-15/16”



Flange Expansion and
Non-Expansion
1-3/16 - 3-15/16



Wide Slot Take-Up
Frame
1-3/8 - 3”



Top Angle Take-Ups
1-3/4 - 3-15/16”



FEATURES/BENEFITS

Bearing Reference Guide

E-Family Roller Bearings

Specialty Tapered Products

S-2000

UNISPHERE II

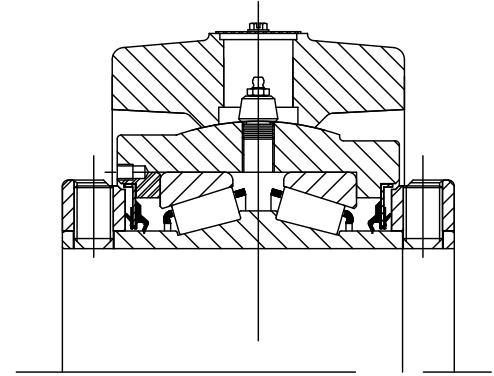
IMPERIAL

UNIFIED SAF

TAF

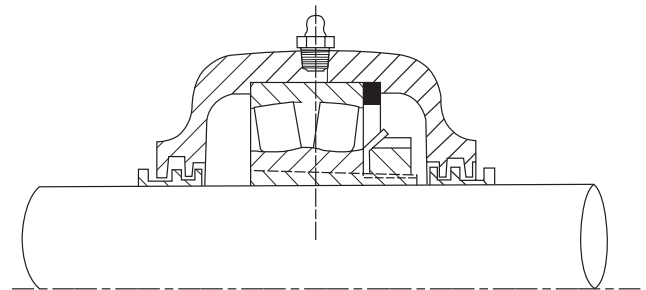
TAF IS A COST SAVING ALTERNATIVE TO SAF SPHERICAL BEARINGS
Mounts Fast, Stays Cleaner And Extends Service Life

- Shaft ready - mounts six times faster than SAF
- Interchangeable with SAF style pillow blocks
- Self-aligning, factory assembled, adjusted and lubricated
- Available in 1-7/16" up to 7" shaft diameters
- Equipped with expansion or non-expansion housing
- "XTS" seal standard
- E-TECT seal option available up to 7"
- Optional Smart Housings accommodate speed, vibration and temperature sensor kits



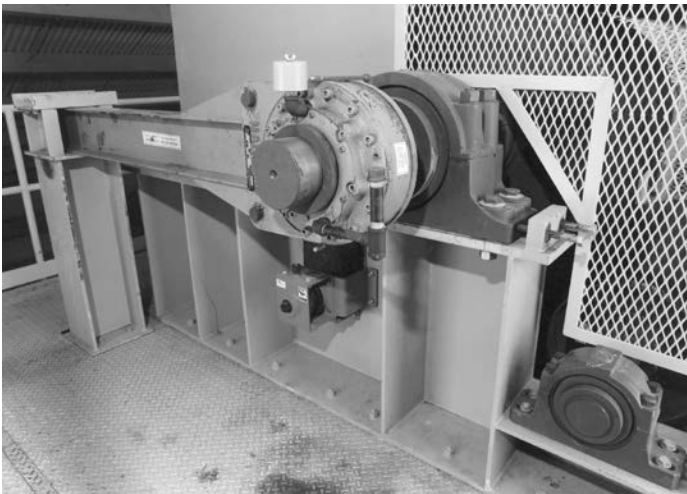
TAF

Self-aligning provided by spherically-machined housing

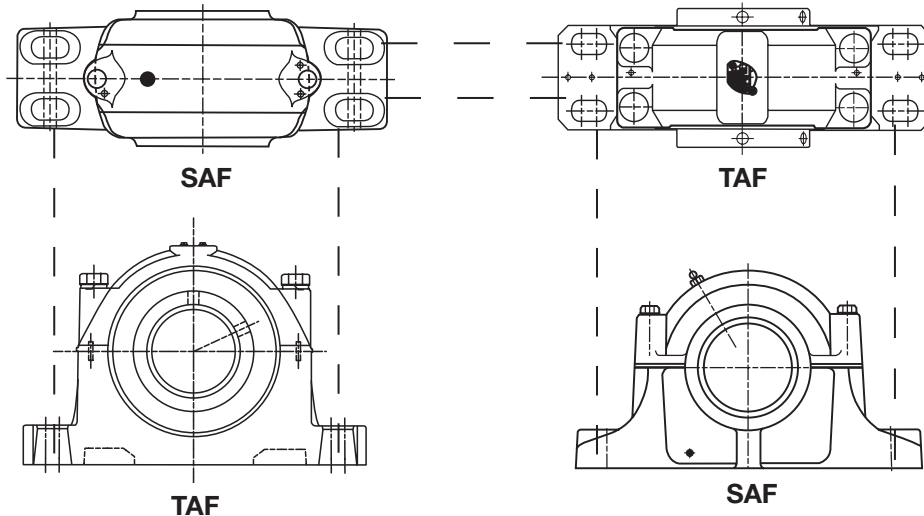


SAF

Self-aligning provided by insert, limited by seal interference



TAF Is Interchangeable With SAF Mounting Dimensions





FEATURES/BENEFITS

Type K/DOUBLE-INTERLOCK/TAF

DODGE BEARINGS SAVE YOU TIME AND MONEY

Compare These DODGE TAF, Type K & DOUBLE-INTERLOCK Bearing Advantages Against Standard SAF Pillow Blocks

Standard SAF

- Four pieces
- Up to six packages
- Open bearing
- Feeler gauge required
- Grease required

DODGE TAF, Type K and DOUBLE-INTERLOCK

- One piece
- Sealed bearing
- Factory adjusted
- Factory lubricated
- Shaft ready



Compare Standard SAF and DODGE Sealing Designs

Standard SAF

- Seals ride independently of bearing
- Less than 1° static misalignment
- Sealing effectiveness decreases as misalignment increases
- Seals distort when misalignment occurs



DODGE TAF, Type K and DOUBLE-INTERLOCK

- Inner unit carries seal
- Up to 5° static misalignment
- Seal and bearing ride together in inner unit
- Seals maintain contact on cones even with misalignment



NOTE: Instruction manuals for Dodge bearings are available on www.dodge-pt.com

SPECIFICATION



Type E-Xtra, Type K, DOUBLE-INTERLOCK/TAF and EXL

Type E-Xtra, Type K, DOUBLE-INTERLOCK, TAF and EXL mounted bearings are all general purpose high capacity tapered roller bearings capable of handling any combination of radial and thrust load within the capacity of the bearing.

All of these bearings are mounted to the shaft by means of set screw collars having 65 degree set screw spacing for optimum clamping force. The Type E-Xtra, DOUBLE-INTERLOCK, TAF and EXL mounted bearings have locking collars at each end of their extended inner races. Type K has a single locking collar. The tapered roller bearings for these mounted bearings all have case carburized inner races (cones), outer races (cups), and rollers.

Bearings are preassembled, prelubricated and factory adjusted. They are normally equipped with land riding contact type seals with a metal deflector guard.

The standard housing material for most of these mounted bearings is ASTM A48 Class 30 Iron having a minimum tensile strength of 30,000 psi. The outer housing for the Type K and DOUBLE-INTERLOCK flange bearings thru 4" bore size and all Type EXL housings utilize housings made of ductile iron (ASTM A536 Grade 65-45-12) with 65,000 psi tensile strength. Type E pillow blocks are also available with cast steel housing having a tensile strength of 70,000 psi for 2-bolt base thru 3-1/2" bore size and 4-bolt base from 3-15/16" thru 5" bore size on an assembled or order basis.

The Type K, DOUBLE-INTERLOCK pillow blocks and flange bearings plus the TAF pillow blocks all have split outer housings used with completely assembled, lubricated and adjusted inner units simplifying replacement of the bearing in the pillow block or flange bearing. All Type E mounted bearings, Type K take up units and all D units, S-1 units, and B-1 units have solid one piece housings.



FEATURES/BENEFITS PAGE B10-2	HOW TO ORDER/NOMENCLATURE PAGE B10-9	EASY SELECTION PAGE B10-15	ACCESSORIES PAGE B10-64
---------------------------------	---	-------------------------------	----------------------------



HOW TO ORDER

Type E-Xtra, Type K, DOUBLE-INTERLOCK/TAF and EXL

There are two ways to specify DODGE Bearings. Most of the product offering have part numbers with listings shown throughout this catalog. Use of part numbers ensures accurate order processing.

When part numbers are not shown, the product may be specified by description or part name. This method is used when ordering units that include modifications or options. To order by description, use the nomenclature key shown on page and add any special instructions to the end of the description for options not covered by the nomenclature.

SPECIAL BEARING REQUIREMENTS AND SPECIAL LUBRICANTS

DODGE Bearings are factory adjusted and pre-lubricated. For applications where extreme ambient temperatures, high speeds or high loads are expected, a variety of specialty lubricants and adjustments are available. Standard grease provided is Mobilgrease XHP222, a lithium complex based grease. High

temperature greases available upon request. Special lubricant options usually involve set-up charges and premiums. To order, specify type of lubricant required at the end of the product name or after the standard part number.

Example:

F4B-E-207 except with Mobil Grease HTS #2 grease and .012 to .015 lateral end play

or

023106 except with Mobil Grease HTS #2 grease and .012 to .015 lateral end play

OTHER SPECIAL REQUIREMENTS NOT LISTED

For applications requiring modifications not listed, we encourage you to contact our Application Engineering Department for Bearings at 864-284-5700.

Bearing Reference Guide

E-Family Roller Bearings

Specialty Tapered Products

S-2000

UNISPHERE II

IMPERIAL

UNIFIED SAF

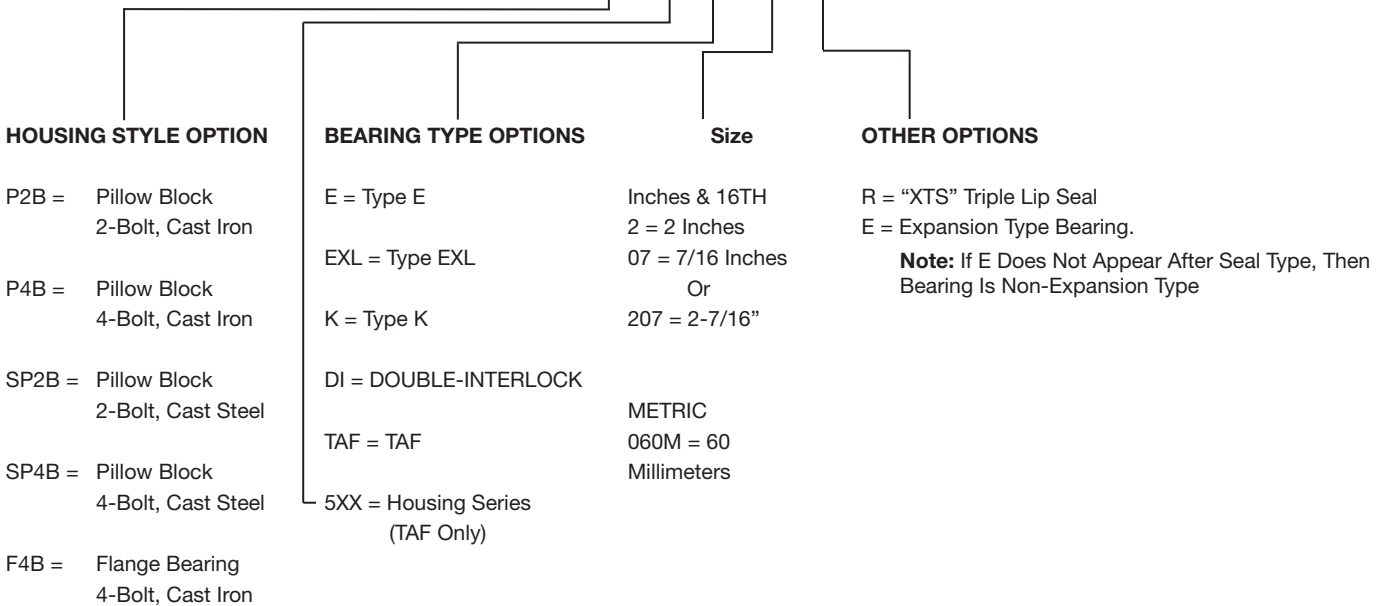
FEATURES/BENEFITS PAGE B10-2	EASY SELECTION PAGE B10-15	SELECTION/DIMENSIONS PAGE B10-22	ACCESSORIES PAGE B10-64
---------------------------------	-------------------------------	-------------------------------------	----------------------------



NOMENCLATURE

Type E-Xtra, Type K, DOUBLE-INTERLOCK, TAF and EXL

P2B - 515-TAF - 207 - RE



- HOUSING STYLE OPTION**
- P2B = Pillow Block
2-Bolt, Cast Iron
 - P4B = Pillow Block
4-Bolt, Cast Iron
 - SP2B = Pillow Block
2-Bolt, Cast Steel
 - SP4B = Pillow Block
4-Bolt, Cast Steel
 - F4B = Flange Bearing
4-Bolt, Cast Iron

- BEARING TYPE OPTIONS**
- E = Type E
 - EXL = Type EXL
 - K = Type K
 - DI = DOUBLE-INTERLOCK
 - TAF = TAF
 - 5XX = Housing Series
(TAF Only)

- Size**
- Inches & 16TH
 - 2 = 2 Inches
 - 07 = 7/16 Inches
 - Or
 - 207 = 2-7/16"

- OTHER OPTIONS**
- R = "XTS" Triple Lip Seal
 - E = Expansion Type Bearing.
- Note:** If E Does Not Appear After Seal Type, Then Bearing Is Non-Expansion Type

FC = Piloted Flange Bearing (Flanged Cartridge)

B1U = B1 Unit
Cast Iron

DU = D Unit
Cast Iron

S1U = S-1, Unit
Cast Iron

WSTU = Wide Slot Take-Up Bearing
Cast Iron

TP = Top Angle Take-Up Bearing
Cast Iron

H2S = Pillow Block Housing Only
2-Bolt, Cast Iron

H4S = Pillow Block Housing
4-Bolt, Cast Iron

FEATURES/BENEFITS PAGE B10-2	EASY SELECTION PAGE B10-15	SELECTION/DIMENSIONS PAGE B10-22	ACCESSORIES PAGE B10-64
---------------------------------	-------------------------------	-------------------------------------	----------------------------



SELECTION

Type E-Xtra, Type K, DOUBLE-INTERLOCK, TAF and EXL Tapered Roller Bearings

DODGE Type E-Xtra, K, DI, TAF and EXL Double Row Tapered Roller Bearings have the capacity to carry heavy radial loads and combined radial and thrust loads. The maximum recommended load which can be applied is limited by various components in the system such as bearing, housing, shaft, shaft attachment, speed and life requirements as listed in this catalog. DODGE tapered roller bearings have been applied successfully even when these limits have been exceeded under controlled operating conditions. Contact DODGE Application Engineering (864) 284-5700 for applications which exceed the recommendations of this catalog.

L₁₀ Hours Life --- The life which may be expected from at least 90% of a given group of bearings operating under identical conditions.

$$L_{10} = \left(\frac{C_{90}}{P} \right)^{10/3} \times \frac{1,500,000}{\text{RPM}}$$

Where: C₉₀ = Dynamic Capacity (Table 1, pg. B10-13), lbs.
P = Equivalent Radial Load, lbs.

GENERAL

Heavy Service --- For heavy shock loads, frequent shock loads, or severe vibrations, add up to 50% (according to severity of conditions) to the Equivalent Radial Load. Consult DODGE Application Engineering for additional selection assistance.

Thrust load values shown in the table below are recommended as a guide for general applications that will give adequate L₁₀ life for pillow blocks. The maximum thrust load should not exceed values shown on Table 3. Where substantial radial load is also present, it is advisable to calculate actual L₁₀ life to assure that it meets the requirements. The effectiveness of the shaft attachment to carry thrust load depends on proper tightening of the setscrews, shaft tolerance and shaft deflections. Therefore,

it is advisable to use auxiliary thrust carrying devices such as shaft shoulder, snap ring or a thrust collar to locate the bearing under thrust loads heavier than shown below, or where extreme reliability is desired.

RPM Range	20-200	201 - 2000	Over 2000
Recommended Thrust Load	E, DI, TAF C ₉₀ /4	C ₉₀ /8	C ₉₀ /12
	K C ₉₀ /5	C ₉₀ /8	C ₉₀ /12

The shaft tolerances recommended below are adequate for normal radial and radial/thrust load applications. The radial load is limited by the attachment to the shaft (see Table 1). Where the applied radial load (F_R) exceeds this limit (maximum allowable slip fit radial load), a snug-to-light press fit of the shaft is required. Since the allowable load, especially at a low speed, is very large, the shaft should be checked to assure adequate shaft strength.

The magnitude and direction of both the thrust and radial load must be taken into account when selecting a housing. **When pillow blocks are utilized, heavy loads should be directed through the base. Where uplift loads are involved, see Tables 6, 7, and, pg. B10-19 for maximum values.** Where a load pulls the housing away from the mounting base, both the hold-down bolts and housing must be of adequate strength. Auxiliary load carrying devices such as shear bars are advisable for side or end loading of pillow blocks and radial load for flange units.

Shaft Size	Tolerance, Inches
UP TO 1-1/2"	+ .0000 - .0005"
1-5/8 TO 4"	+ .000 - .001"
4-7/16 TO 6"	+ .000 - .0015"
6-7/16 - 8"	+ .000 - .002"

NOTE: The L₁₀ life calculated using the above formula is subject to life adjustment factors in accordance with ABMA standards described on page B16-9.

NOTE: Instruction manuals for Dodge bearings are available on www.dodge-pt.com

FEATURES/BENEFITS PAGE B10-2	HOW TO ORDER/NOMENCLATURE PAGE B10-9	SELECTION/DIMENSIONS PAGE B10-22	ACCESSORIES PAGE B10-64
---------------------------------	---	-------------------------------------	----------------------------



SELECTION

Bearing Reference Guide

E-Family Roller Bearings

Specialty Tapered Products

S-2000

UNISPHERE II

IMPERIAL

UNIFIED SAF

Type E-Xtra, Type K, DOUBLE-INTERLOCK, TAF and EXL Tapered Roller Bearings

SELECTING BEARINGS SUPPORTING RADIAL LOADS ONLY

1. Define L_{10} Life Hours desired.
2. Establish bearing radial load, F_R ($F_R = P$ for Pure Radial Load Conditions). The DODGE program BEST™* can be used to find application loads.
3. Establish RPM.

Using the easy selection Table 3, pg B10-15 find, under the RPM column, the equivalent radial load that equals or is higher than the application radial load for the desired life. The shaft size on the far left will be the minimum shaft size that you can use for your application. If the desired life is different than the values shown on the chart, use alternate Method A shown below.

- Example: 1. L_{10} Life = 30,000 Hours
 2. Radial load = 4200 lbs.
 3. RPM = 1,200

At the intersection of the 1,200 RPM column and the 30,000 hours L_{10} life row, the equivalent radial load of 4286 lbs. exceeds the 4200 lbs. radial load for shaft sizes 2-11/16 - 3". A bearing with bore ranging from 2-11/16" to 3" may be used for this application.

ALTERNATE METHOD A --- SELECTING A BEARING FOR AN L10 LIFE VALUE NOT SHOWN IN THE EASY SELECTION CHART.

The L_{10} life equation can be rearranged so that the bearing dynamic capacity C_{90} is identified in terms of L_{10} , RPM and P.

$$C_{90} = \left(\frac{L_{10} \times \text{RPM}}{1,500,000} \right)^{0.3} \times P$$

($P = F_R$ for Pure Radial Load Conditions)

Since the L_{10} , RPM, and P are known, solve for C_{90} . Select from the dynamic capacity column on Table 2, pg B10-14. The C_{90} value equal to or greater than the C_{90} value just calculated.

The bore size on the far left represents the bore size selection. Check that the application RPM does not exceed the MAX. RPM on Table 2. Also check that the radial load does not exceed the Maximum Allowable Slip Fit Radial Load shown on Table 2. If it does, a line to line to light press fit of shaft is required. When selecting an L_{10} life of less than 30,000 hours, particular attention must be paid to shaft deflection and proper lubricant selection.

SELECTING BEARINGS SUPPORTING COMBINATION RADIAL AND THRUST LOADS

When a bearing supports both a radial load and a thrust load, the loading on the two rows is shared unequally depending on the ratio of thrust to radial load. The use of the X (radial factor) and Y (thrust factor) from Table 2 converts the applied thrust load and radial loads to an equivalent radial load having the same effect on the life of the bearing as a radial load of this magnitude.

The equivalent radial load $P = XF_R + YF_A$

Where: P= Equivalent radial load, lbs.

F_R = Radial load, lbs. (see Table 2 for allowable slip fit maximum)

F_A = Thrust (axial) load, lbs.

e = Thrust load to radial load factor (Table 2)

X = Radial load factor (Table 2)

Y= Thrust load factor (Table 2)

To find X and Y, calculate F_A/F_R and compare to e for the selected bore size. Determine X and Y from Table 2, pg. B10-14 depending on whether F_A/F_R is equal to or less than e , or F_A/F_R is greater than e . Substitute all known values into the equivalent radial load equation. P (equivalent radial load) can be used in the life formula to determine L_{10} , or it can be compared to the allowable equivalent radial load ratings for the speed and hours life desired in the easy selection Table 3, pg B10-15.

*The DODGE Bearing Evaluation and Selection Technique (BEST) is a menu driven computer program that calculates bearing loads, fatigue life and operating temperature for a two bearing shaft system based on user supplied input parameters. This interactive program is available at www.ptwizard.com under the Product Selection area.

FEATURES/BENEFITS PAGE B10-2	HOW TO ORDER/NOMENCLATURE PAGE B10-9	SELECTION/DIMENSIONS PAGE B10-22	ACCESSORIES PAGE B10-64
---------------------------------	---	-------------------------------------	----------------------------



SELECTION

Type E-Xtra, Type K, DOUBLE-INTERLOCK, TAF and EXL Tapered Roller Bearings

SELECTING BEARINGS SUPPORTING ONLY THRUST LOADS

Tapered Roller Bearings perform extremely well under pure thrust load applications. Use $P = YF_A$ for the equivalent radial load. The value of Y is obtained from Table 2, pg. B10-14 for $F_A/F_R > e$. Substitute Y and F_A into the equivalent load equation. P (equivalent radial load) can be used in the life formula to determine L10 or it can be compared to the allowable equivalent radial load ratings for the speed and hours life desired in the easy selection Table 3, pg. B10-15.

LUBRICATION

DODGE E, K, DI, EXL, and TAF tapered roller bearings up to 5" bore are lubricated at the factory with Mobilgrease XHP222 grease. This grease will adequately handle low and medium speeds with low and medium loads at normal temperatures as defined on Table 6, pg. B10-18. For very low and high speeds, for heavy loads and for low and high temperatures, special greases must be used. Contact DODGE Application Engineering (864) 284-5700. DODGE engineers will recommend bearings and lubricants for the above unusual conditions. DODGE also has the expertise to custom design and build special bearings for your needs. The only maintenance requirement for DODGE Tapered Roller Bearings is periodic relubrication at regular intervals as outlined in the appropriate instruction manuals.

Relubrication Schedule

Hours Run per Day	Suggested Lubrication Period In Weeks							
	1 to 250 RPM	251 to 500 RPM	501 to 750 RPM	751 to 1000 RPM	1001 to 1500 RPM	1501 to 2000 RPM	2001 to 2500 RPM	2501 to 3000 RPM
8	12	12	10	7	5	4	3	2
16	12	7	5	4	2	2	2	1
24	10	5	3	2	1	1	1	1

High Speed Operation --- In the higher speed ranges too much grease will cause overheating. The amount of grease that the bearing will take for particular high speed application can only be determined by experience --- see "Operating Temperature" below. If excess grease in the bearing caused overheating, it will be necessary to remove grease fitting (also drain plug when furnished) to permit excess grease to escape. When establishing a relubrication schedule, note that a small amount of grease at frequent intervals is preferable to a large amount at infrequent intervals.

Operation in Presence of Dust, Water or Corrosive Vapors

--- Under these conditions the bearing should contain as much grease as speed will permit, since a full bearing with consequent slight leakage is the best protection against entrance of foreign material. In the higher speed ranges too much grease will cause overheating --- see "High Speed Operation". In the lower speed ranges, it is advisable to add extra grease to a new bearing before putting into operation. Bearings should be greased as

often as necessary (daily if required) to maintain a slight leakage at the seals.

INSTALLATION AND MAINTENANCE

In nearly all applications good design practice requires two bearings supporting the shaft. In cases where three or more bearings are installed, unless precautions are taken to line the bearings up, both vertically and horizontally, it is possible to induce heavy loads. In the case of two bearings, alignment is not as critical, especially with DODGE K, DI, TAF and EXL Tapered Roller Bearings. K, DI, and TAF bearings are designed to allow as much as 2° to 7° of static misalignment depending on bore size. To ensure good alignment, mounting surfaces must be checked for flatness and must lie in the same plane. When tightening base bolts and cap bolts, each bolt should be alternately tightened in incremental torque values until full torque is achieved to prevent the angular shifting of the pillow block that occurs when one bolt is tightened to its full torque. Shimming may be required to minimize misalignment..

Table 1 - Set Screw Torque Table

Shaft Size (Inches)	Set Screws Size	Tightening Torque
1-3/16 - 1-11/16	5/16 - 18	165 in-lbs
1-3/4 - 2-1/2	3/8 - 16	290 in-lbs
2-11/16 - 3-1/2	1/2 - 13	620 in-lbs
3-15/16 - 5	5/8 - 11	1325 in-lbs
5-7/16 - 6	3/4 - 10	2150 in-lbs
6-7/16 - 7	7/8 - 9	5130 in-lbs

Shaft Size (mm)	Set Screws Size	Tightening Torque
35 - 40mm	M8	17.8 NM
45 - 65mm	M10	35 NM
70 - 75mm	M12	57 NM
80 - 90mm	M12	57 NM
100 - 125mm	M16	126 NM

FEATURES/BENEFITS PAGE B10-2	HOW TO ORDER/NOMENCLATURE PAGE B10-9	SELECTION/DIMENSIONS PAGE B10-22	ACCESSORIES PAGE B10-64
---------------------------------	---	-------------------------------------	----------------------------



SELECTION

Type E-Xtra, Type K, DOUBLE-INTERLOCK, TAF and EXL

Table 2 - E, K, DI, TAF and EXL Tapered Roller Bearing Radial And Thrust Factors

Shaft Size	e	F _A /F _R <e		F _A /F _R >e		Dynamic Capacity C ₉₀ Lbs.	Static Capacity C ₀ Lbs.	Maximum RPM XTS-SEAL	Maximum RPM E-TECT	Maximum Allowable Slip Fit Radial Load, F _R **, Lbs	
		X	Y	X	Y					E, DI, EXL & TAF	K
1-3/16 1-1/4	0.49	0.87	1.77	0.70	2.14	3,450	15,760	4,490	3,100	3,100	2,100
1-3/8 1-7/16	0.46	0.87	1.89	0.70	2.28	5,500	26,000	3,820	2,675	5,000	3,300
1-1/2 1-5/8 1-11/16	0.44	0.87	1.96	0.70	2.37	7,070	33,000	3,320	2,325	6,400	4,300
1-3/4 1-7/8 1-15/16 2	0.33	0.87	2.64	0.70	3.18	9,300	43,000	3,050	2,135	8,400	5,600
2-3/16	0.36	0.87	2.38	0.70	2.87	9,850	48,200	2,730	1,900	8,900	5,900
2-1/4 2-7/16 2-1/2	0.40	0.87	2.17	0.70	2.63	10,600	54,000	2,420	1,700	9,500	6,300
2-11/16 2-3/4 2-15/16 3	0.46	0.87	1.87	0.70	2.26	11,120	61,200	2,060	1,440	10,000	6,700
3-3/16 3-1/4 3-7/16 3-1/2	0.50	0.87	1.71	0.70	2.07	17,750	108,600	1,640	1,145	16,000	10,500
3-15/16 4	0.49	0.87	1.77	0.70	2.14	24,400	154,000	1,530	1,070	22,000	14,600
4-7/16 4-1/2	0.53	0.87	1.63	0.70	1.97	30,000	188,400	1,360	950	27,000	----
4-15/16 5	0.47	0.87	1.83	0.70	2.21	41,310	266,000	1,200	840	35,000	----
5-7/16 5-15/16 6	0.49	0.87	1.76	0.70	2.12	40,700	354,000	915	640	42,400	----
6-7/16 6-1/2 6-15/16 7	0.54	0.87	1.61	0.70	1.95	69,200	574,000	790	550	72,000	----

Comparing Spherical To Taper Roller Bearings: The dynamic capacity C (spherical) and C₉₀ (taper) are not to the same base. To compare basic dynamic capacities, multiply C x .259 and compare to C₉₀.

*C₉₀ - Dynamic capacity based on a rated life of 90 million revolutions or 3000 hours at 500 RPM.

** If load exceeds maximum allowable slip fit radial load, (F_R), line-to-line, to light press fit of shaft required. Application up to maximum slip fit radial load may be applied if recommended shaft tolerances are used.

FEATURES/BENEFITS PAGE B10-2	HOW TO ORDER/NOMENCLATURE PAGE B10-9	SELECTION/DIMENSIONS PAGE B10-22	ACCESSORIES PAGE B10-64
---------------------------------	---	-------------------------------------	----------------------------



Type E-Xtra, Type K, DOUBLE-INTERLOCK, TAF and EXL

Table 3 - Easy Selection for Type E-Xtra, Type K, TAF and EXL

Shaft Size	L10 hours	Allowable Equivalent Radial Load (Lbs.) at various Revolutions Per Minute																			
		50	100	150	250	500	790	915	1200	1360	1530	1640	1750	2060	2420	2730	3050	3320	3600	3820	4490
1-3/8" 1-1/4"	10000	4797	3896	3450	2960	2404	2096	2005	1849	1781	1719	1683	1651	1572	1498	1445	1398	1362	1330	1306	1244
	30000	3450	2802	2481	2129	1729	1507	1442	1330	1281	1236	1211	1187	1131	1077	1039	1005	980	956	939	895
	40000	3165	2571	2276	1953	1586	1383	1323	1220	1175	1134	1111	1089	1037	988	953	922	899	877	862	821
	60000	2802	2276	2015	1729	1404	1224	1172	1080	1040	1004	983	964	918	875	844	816	796	777	763	727
	100000	2404	1953	1729	1483	1205	1050	1005	927	892	861	844	827	788	751	724	700	683	666	655	624
1-3/8" 1-7/16"	10000	7647	6211	5500	4719	3833	3341	3197	2947	2839	2740	2684	2632	2506	2388	2303	2228	2172	2120	2082	
	30000	5500	4467	3956	3394	2757	2403	2299	2120	2042	1971	1930	1893	1803	1718	1657	1602	1562	1525	1498	
	40000	5045	4098	3629	3113	2529	2204	2109	1945	1873	1808	1771	1736	1654	1576	1520	1470	1433	1399	1374	
	60000	4467	3629	3213	2757	2239	1952	1868	1722	1658	1601	1568	1538	1464	1395	1346	1302	1269	1238	1217	
	100000	3833	3113	2757	2365	1921	1675	1602	1477	1423	1373	1345	1319	1256	1197	1154	1117	1089	1062	1044	
1-1/2" 1-5/8" 1-11/16"	10000	9830	7984	7070	6065	4927	4295	4110	3789	3649	3522	3450	3383	3222	3070	2961	2864	2792			
	30000	7070	5743	5085	4362	3543	3089	2956	2725	2625	2533	2481	2433	2317	2208	2129	2060	2008			
	40000	6485	5268	4664	4002	3250	2834	2711	2500	2408	2324	2276	2232	2126	2025	1953	1889	1842			
	60000	5743	4664	4130	3543	2878	2509	2401	2213	2132	2058	2015	1976	1882	1793	1730	1673	1631			
	100000	4927	4002	3543	3040	2469	2153	2060	1899	1829	1765	1729	1696	1615	1539	1484	1435	1399			
1-3/4" 1-7/8" 1-15/16" 2"	10000	12931	10503	9300	7979	6481	5650	5406	4984	4800	4633	4538	4450	4238	4038	3895	3767				
	30000	9300	7554	6689	5738	4661	4063	3888	3584	3452	3332	3264	3201	3048	2904	2801	2709				
	40000	8531	6929	6136	5264	4276	3727	3567	3288	3167	3057	2994	2936	2796	2664	2569	2485				
	60000	7554	6136	5433	4661	3786	3300	3158	2911	2804	2707	2651	2600	2476	2359	2275	2201				
	100000	6481	5264	4661	3999	3248	2832	2709	2498	2406	2322	2274	2230	2124	2024	1952	1888				
2-3/16"	10000	13695	11124	9850	8450	6864	5984	5726	5278	5084	4907	4806	4714	4489	4277	4125					
	30000	9850	8001	7084	6078	4937	4304	4118	3796	3656	3530	3457	3390	3228	3076	2967					
	40000	9036	7339	6499	5575	4529	3948	3778	3483	3354	3238	3171	3110	2961	2822	2721					
	60000	8001	6499	5754	4937	4010	3496	3345	3084	2970	2867	2808	2754	2622	2498	2410					
	100000	6864	5575	4937	4235	3440	2999	2870	2646	2548	2460	2409	2362	2250	2143	2067					
2-1/4" 2-7/16" 2-1/2"	10000	14738	11971	10600	9094	7387	6439	6162	5680	5471	5281	5172	5072	4830	4602						
	30000	10600	8610	7624	6541	5313	4631	4432	4085	3935	3798	3720	3648	3474	3310						
	40000	9724	7898	6993	6000	4873	4248	4065	3748	3610	3484	3412	3347	3187	3036						
	60000	8610	6993	6192	5313	4315	3762	3600	3318	3196	3085	3022	2963	2822	2689						
	100000	7387	6000	5313	4558	3702	3227	3088	2847	2742	2647	2592	2542	2421	2307						
2-11/16" 2-3/4" 2-15/16" 3"	10000	15461	12558	11120	9540	7749	6755	6464	5959	5739	5540	5426	5321	5067							
	30000	11120	9032	7998	6861	5573	4859	4649	4286	4128	3985	3902	3827	3644							
	40000	10201	8285	7336	6294	5112	4457	4265	3932	3787	3655	3580	3511	3343							
	60000	9032	7336	6496	5573	4527	3946	3776	3481	3353	3237	3170	3109	2960							
	100000	7749	6294	5573	4781	3884	3386	3240	2987	2877	2777	2719	2667	2540							
3-3/16" 3-1/4" 3-7/16" 3-1/2"	10000	24679	20046	17750	15228	12369	10783	10318	9512	9161	8843	8661									
	30000	17750	14417	12766	10952	8896	7755	7421	6841	6589	6360	6229									
	40000	16282	13225	11711	10047	8160	7114	6807	6276	6044	5834	5714									
	60000	14417	11711	10369	8896	7226	6299	6028	5557	5352	5166	5060									
	100000	12369	10047	8896	7632	6199	5404	5171	4767	4592	4432	4341									
3-15/16" 4"	10000	33925	27556	24400	20933	17003	14823	14184	13076	12594	12157										
	30000	24400	19819	17549	15056	12229	10661	10201	9404	9058	8743										
	40000	22382	18180	16098	13811	11218	9779	9358	8627	8309	8020										
	60000	19819	16098	14254	12229	9933	8659	8286	7639	7357	7102										
	100000	17003	13811	12229	10491	8522	7429	7109	6553	6312	6093										

For maximum RPM see Table 2 on page B10-14

In the shaded area, E, DI, EXL, and TAF mounted units require a line-to-line to light press fit of shaft

In the boxed area, Type K mounted units require a line-to-line to light press fit of shaft.

FEATURES/BENEFITS PAGE B10-2	HOW TO ORDER/NOMENCLATURE PAGE B10-9	SELECTION/DIMENSIONS PAGE B10-22	ACCESSORIES PAGE B10-64
---------------------------------	---	-------------------------------------	----------------------------



SELECTION

Type E-Xtra, Type K, DOUBLE-INTERLOCK, TAF and EXL

Table 3 - Easy Selection for Type E-Xtra, Type K, TAF and EXL

Shaft Size	L10 hours	Allowable Equivalent Radial Load (Lbs.) at various Revolutions Per Minute																				
		50	100	150	250	500	790	915	1200	1360	1530	1640	1750	2060	2420	2730	3050	3320	3600	3820	4490	
4-7/16" 4-1/2"	10000	41712	33880	30000	25738	20905	18225	17439	16077	15484												
	30000	30000	24368	21577	18511	15036	13108	12543	11563	11137												
	40000	27519	22353	19793	16980	13792	12024	11505	10607	10216												
	60000	24368	19793	17526	15036	12213	10647	10188	9392	9046												
	100000	20905	16980	15036	12899	10477	9134	8740	8057	7760												
4-15/16" 5"	10000	57437	46653	41310	35441	28787	25095	24014	22137													
	30000	41310	33554	29711	25490	20704	18049	17271	15922													
	40000	37894	30780	27254	23382	18992	16557	15843	14605													
	60000	33554	27254	24133	20704	16817	14661	14028	12933													
	100000	28787	23382	20704	17762	14428	12578	12035	11095													
5-7/16 5-15/16 6	10000	56589	45964	40700	34917	28362	24725	23659														
	30000	40700	33059	29272	25113	20398	17783	17016														
	40000	37335	30325	26852	23037	18712	16312	15609														
	60000	33059	26852	23777	20398	16569	14444	13821														
	100000	28362	23037	20398	17500	14214	12392	11858														
6-7/16 6-1/2 6-15/16 7	10000	96215	78151	69200	59368	48222	42038															
	30000	69200	56208	49770	42699	34682	30235															
	40000	63478	51560	45655	39168	31814	27735															
	60000	56208	45655	40426	34682	28171	24558															
	100000	48222	39168	34682	29754	24168	21069															

For maximum RPM see Table 2 on page B10-14

In the shaded area, E, DI, EXL, and TAF mounted units require a line-to-line to light press fit of shaft

In the boxed area, Type K mounted units require a line-to-line to light press fit of shaft.



SELECTION

Type E-Xtra, DOUBLE-INTERLOCK, TAF and EXL

Table 4 - Permissible Thrust Load, Lbs.*

Shaft Size Inches	*E		*K/DI, TAF, EXL	
	2-Bolt	4-Bolt	2-Bolt	4-Bolt
1-3/16	2000		1400	
1-1/4	2000		1400	
1-3/8	2590		2590	
1-7/16	2590		2590	
1-1/2	2590		2590	
1-5/8	2590		2590	
1-11/16	2590		2590	
1-3/4	3454		3454	
1-7/8	3454		3454	
1-15/16	3454		3454	
2	3454		3454	
2-3/16	3454		3454	
2-1/4	3454	3454	3454	3454
2-7/16	3454	3454	3454	3454
2-1/2	3454	3454	3454	3454
2-11/16	5181	5181	5181	5181
2-3/4	5181	5181	5181	5181
2-15/16	5181	5181	5181	5181
3	5181	5181	5181	5181
3-3/16	5181	5181	4300	5181
3-1/4	5181	5181	4300	5181
3-7/16	5181	5181	4300	5181
3-1/2	5181	5181	4300	5181
3-15/16		6908		6908
4		6908		6908
4-7/16		6908		6908
4-1/2		6908		6908
4-15/16		6908		6908
5		6908		6908
5-7/16		8635		8635
5-15/16		8635		8635
6		8635		8635
6-7/16		12282		12282
6-1/2		12282		12282
6-15/16		12282		12282
7		12282		12282

Note: The limits above apply to set screw shaft mounting or pillow block over turning force. Under heavy thrust loads it is always wise to use shear bars. At all times, the L_{10} life of the bearing should be checked for proper selection and life requirements. For thrust loads larger than listed or heavy thrust loading on other style housing, contact DODGE Engineering for recommendations.

* Does not include Piloted Flange
 Piloted Flange up to and including 3-1/2" and all sizes of Type K only have one setscrew locking collar and therefore the above listed permissible thrust load values must be decreased by 1/2.



SELECTION

Type E-Xtra, Type K, DOUBLE-INTERLOCK, TAF and EXL

Table 5 - K, DI and TAF Maximum Axial Expansion (Inches)

Bore Size (Inches)	Type K DOUBLE-INTERLOCK		TAF	EXL
	Pillow Block	Flange		
1-3/16 - 1-1/4	0.252	--	--	.280
1-3/8 - 1-7/16	0.188	0.187	0.188	.280
1-1/2 - 1-11/16	0.188	0.187	0.188	.280
1-3/4 - 2	0.562	0.187	0.562	.280
2-3/16	0.562	0.187	0.562	.280
2-1/4 - 2-1/2	0.562	0.312	0.562	.280
2-11/16 - 3	0.562	0.312	0.562	.280
3-3/16 - 3-1/2	0.562	0.312	0.562	.280
3-15/16 - 4	0.674	0.312	0.674	.280
4-7/16 - 4-1/2	0.674	0.812	0.674	.280
4-15/16 - 5	0.674	0.812	0.674	.280
5-7/16 - 6	0.500	--	0.875	--
6-7/16 - 7	0.500	--	0.875	--

Table 6 - Definition Of Operating Conditions For Tapered Roller Bearings

LOW SPEED	UP TO 20% OF MAX. RPM (TABLE 1)
MEDIUM SPEED	OVER 20% TO 80% OF MAX. RPM
HIGH SPEED	OVER 80% OF MAX. RPM
LIGHT LOAD	UP TO 30% OF C ₉₀ (TABLE 1)
NORMAL LOAD	OVER 30% TO 70% OF C ₉₀
HEAVY LOAD	OVER 70% OF C ₉₀
LOW TEMPERATURE	-100°F TO 20°F
MEDIUM TEMPERATURE	OVER 20°F TO 200°F
HIGH TEMPERATURE	OVER 200°F TO 300°F
VERY HIGH TEMPERATURE	OVER 300°F TO 400°F



Type E-Xtra

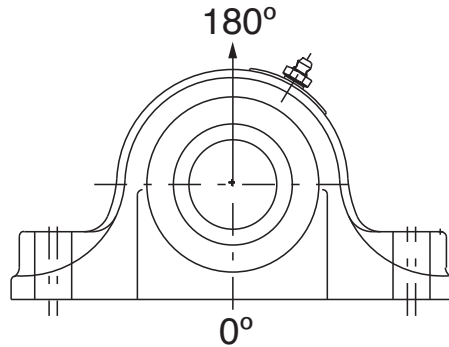


Table 7 - Housing Ratings - Type E-Xtra (Solid Housing)

Shaft Size (Inches)	Maximum Recommended Housing Cap Loads, Lbs. Gray Iron 180°
1-3/16 - 1-1/4	1,600
1-3/8 - 1-7/16	3,150
1-1/2 - 1-11/16	3,000
1-3/4 - 2	5,150
2-3/16	3,500
2-1/4 - 2-1/2	6,550
2-11/16 - 3	7,000
3-3/16 - 3-1/2	15,700
3-15/16 - 4	16,250
4-7/16 - 4-1/2	21,000
4-15/16 - 5	22,860
5-7/16 - 6	43,600
6-7/16 - 7	46,000

*When utilizing heavy cap loads on pillow block housings, the installation must adhere to the following procedures.

1. The pillow block base bolts must be of **Grade 8 strength with hardened washers and properly tightened** to the mounting structure.
2. The use of stop bars (shear strips) against pillow block where side loads are encountered
3. In all cases where loads are heavy, the L_{10} life of the bearing should be checked for proper selection and life requirements

FEATURES/BENEFITS PAGE B10-2	HOW TO ORDER/NOMENCLATURE PAGE B10-9	SELECTION/DIMENSIONS PAGE B10-22	ACCESSORIES PAGE B10-64
---------------------------------	---	-------------------------------------	----------------------------



SELECTION

Type K, DOUBLE-INTERLOCK, TAF and EXL

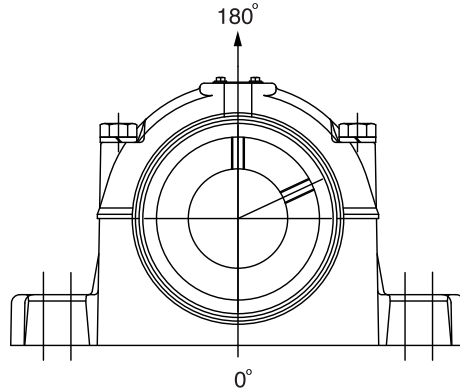


Table 8: Housing Ratings
Type K, DI, and EXL Housing (Split Housing)

Shaft Size (Inches)	Maximum Recommended Housing Cap Loads, Lbs. 180°
1-3/16 - 1-1/4	4,300
1-3/8 - 1-7/16	5,060
1-1/2 - 1-11/16	5,940
1-3/4 - 2	8,660
2-3/16	10,100
2-1/4 - 2-1/2	10,100
2-11/16 - 3	11,220
3-3/16 - 3-1/2	16,170
3-15/16 - 4	19,580
4-7/16 - 4-1/2	20,130
4-15/16 - 5	24,530
5-7/16 - 6	35,200
6-7/16 - 7	56,000

Table 9: Housing Ratings
TAF (Split Housing)

Shaft Size (Inches)	Maximum Recommended Housing Cap Loads, Lbs. 180°
1-7/16	4,600
1-11/16	5,400
1-15/16	7,875
2-3/16	9,200
2-7/16 - 2-1/2	9,220
2-15/16 - 3	10,200
3-7/16 - 3-1/2	14,700
3-15/16 - 4	17,800
4-7/16 - 4-1/2	18,300
4-15/16 - 5	22,300
5-7/16 - 6	30,000
6-7/16 - 6-1/2	30,000
6-15/16 - 7	48,000

*When utilizing heavy cap loads on pillow block housings, the installation must adhere to the following procedures.

1. The pillow block base bolts must be of **Grade 8 strength with hardened washers and properly tightened to the mounting structure.**
2. The use of stop bars (shear strips) against pillow block where side loads are encountered
3. In all cases where loads are heavy, the L₁₀ life of the bearing should be checked for proper selection and life requirements

FEATURES/BENEFITS PAGE B10-2	HOW TO ORDER/NOMENCLATURE PAGE B10-9	SELECTION/DIMENSIONS PAGE B10-22	ACCESSORIES PAGE B10-64
---------------------------------	---	-------------------------------------	----------------------------

SELECTION/DIMENSIONS



Type E-Xtra, Type K, DOUBLE-INTERLOCK, TAF and EXL



MOUNTED BEARINGS APPLICATION DATA SHEET

Instructions: Complete all applicable information and Fax to DODGE 864-281-2317 or e-mail brgpttechsupport@baldor.com

Company _____ DIST. USER OEM Date _____
Address _____
Name _____ Phone _____ Fax _____
Type of Equipment (sketch drive on separate sheet) _____

Service Conditions:

Shaft Speed: Normal _____ Maximum _____
Loads: Radial _____ Thrust _____ Shock (frequency) _____
Shaft Size: _____ Shaft Tolerance (specify if not commercial) _____
Duty Cycle: Hours/Day _____ Days/Week _____ Weeks/Year _____

Environment:

Ambient Temperature: Summer _____ °F Winter _____ °F
External Heat: Source of Heat _____
Temperature _____ °F Distance from Bearing _____
Air: Clean _____ Contaminated _____ Contamination Type _____
Gas: Clean _____ Contaminated _____ Contamination Type _____
Liquid: Type _____ Concentration _____
Other: (Including washdowns) _____

Experience: (If applicable)

Type of Bearing Currently Used: _____
Life Realized _____ Type of Failure _____

Other Pertinent Data

L-10 Hours Required:

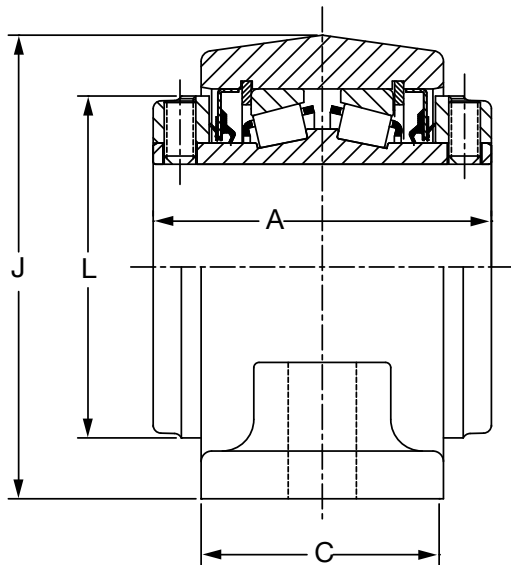
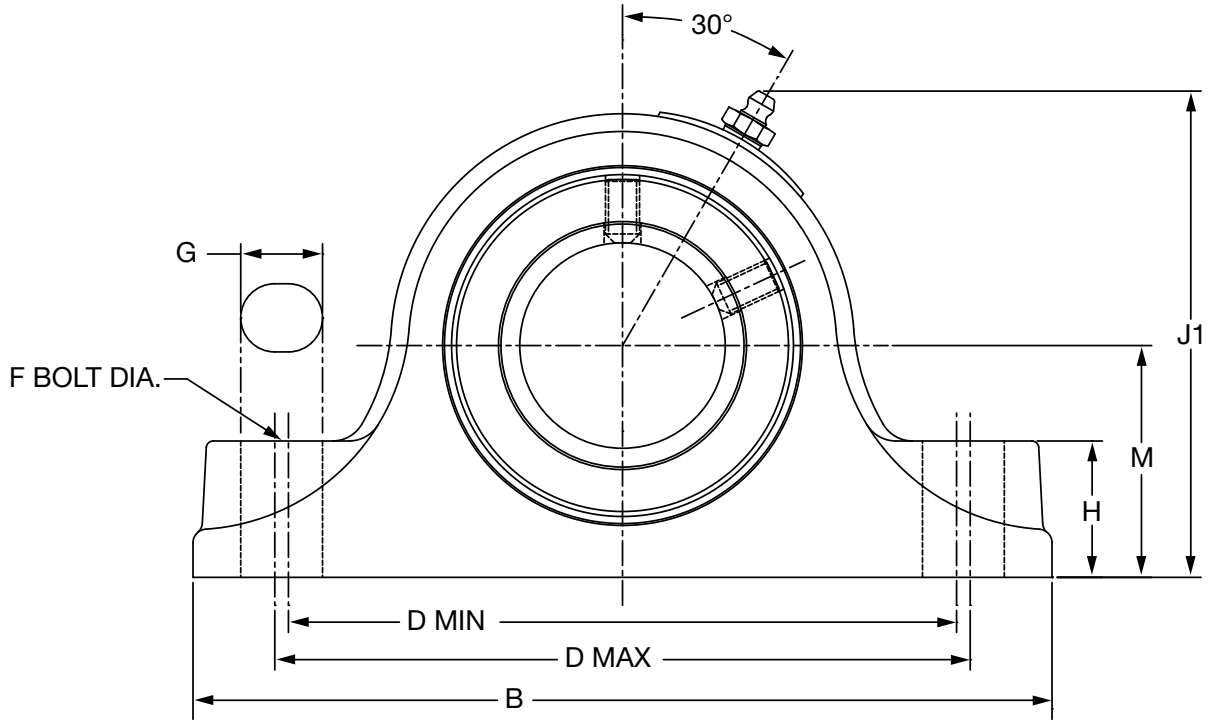
Dimensional Restrictions: Centerline Height _____
Bolt Pattern _____
Other _____

FEATURES/BENEFITS PAGE B10-2	HOW TO ORDER/NOMENCLATURE PAGE B10-9	EASY SELECTION PAGE B10-15	ACCESSORIES PAGE B10-64
---------------------------------	---	-------------------------------	----------------------------

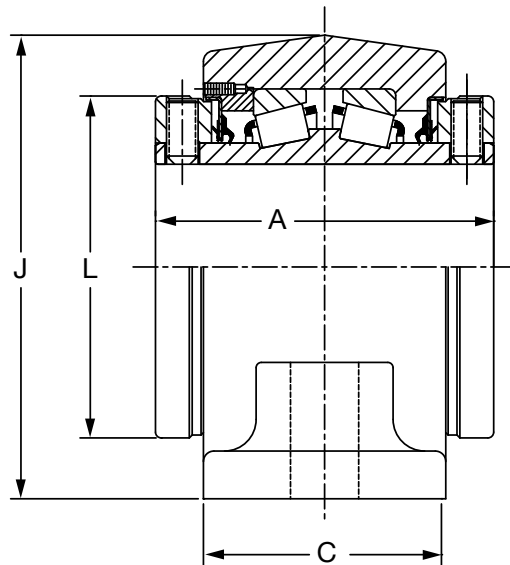
SELECTION/DIMENSIONS



Type E-Xtra Pillow Block - Inch 2-BOLT BASE



1-3/16" THRU 3" CONSTRUCTION



3-3/16" THRU 3-12" CONSTRUCTION

SELECTION/DIMENSIONS



Type E-Xtra Pillow Block - Inch 2-BOLT BASE

Gray Iron				Cast Steel			
Shaft Size Inches #	Part Number	Part Name	Weight Lbs (Approx)	Shaft Size Inches #	Part Number	Part Name	Weight Lbs
1-3/16	023000	P2B-E-103R	4	1-3/16	023047	SP2B-E-103R	4
1-1/4	023001	P2B-E-104R	4	1-1/4	023048	SP2B-E-104R	4
1-3/8	023002	P2B-E-106R	7	1-3/8	023049	SP2B-E-106R	7
1-7/16	023003	P2B-E-107R	7	1-7/16	023050	SP2B-E-107R	7
1-1/2	023004	P2B-E-108R	10	1-1/2	023051	SP2B-E-108R	10
1-5/8	023005	P2B-E-110R	10	1-5/8	023052	SP2B-E-110R	10
1-11/16	023006	P2B-E-111R	10	1-11/16	023053	SP2B-E-111R	10
1-3/4	023007	P2B-E-112R	12	1-3/4	023054	SP2B-E-112R	11
1-7/8	023008	P2B-E-114R	12	1-7/8	023055	SP2B-E-114R	11
1-15/16	023009	P2B-E-115R	12	1-15/16	023056	SP2B-E-115R	11
2	023010	P2B-E-200R	12	2	023057	SP2B-E-200R	11
2-3/16	023011	P2B-E-203R	15	2-3/16	023058	SP2B-E-203R	14
2-1/4	023012	P2B-E-204R	21	2-1/4	023059	SP2B-E-204R	19
2-7/16	023013	P2B-E-207R	20	2-7/16	023060	SP2B-E-207R	19
2-1/2	023014	P2B-E-208R	20	2-1/2	023061	SP2B-E-208R	19
2-11/16	023015	P2B-E-211R	29	2-11/16	023062	SP2B-E-211R	26
2-3/4	023016	P2B-E-212R	28	2-3/4	023063	SP2B-E-212R	26
2-15/16	023017	P2B-E-215R	27	2-15/16	023064	SP2B-E-215R	26
3	023018	P2B-E-300R	27	3	023065	SP2B-E-300R	26
3-3/16	023019	P2B-E-303R	48	3-3/16	023066	SP2B-E-303R	44
3-1/4	023020	P2B-E-304R	47	3-1/4	023067	SP2B-E-304R	44
3-7/16	023021	P2B-E-307R	46	3-7/16	023068	SP2B-E-307R	44
3-1/2	023022	P2B-E-308R	45	3-1/2	023069	SP2B-E-308R	44

Consult DODGE For Sizes Not Listed

Consult DODGE For Sizes Not Listed

Shaft Size (Inches)	A	B	C	D		F Bolt Dia	G	H	J	J1	L	M
				Min	Max							
1-3/16 1-1/4	2.75	6.00	1.88	4.75	4.81	1/2	0.59	0.88	3.00	3.28	2.25	1.50
1-3/8 1-7/16	3.00	7.38	2.13	5.63	5.88	1/2	0.75	1.13	3.75	4.00	2.75	1.88
1-1/2 1-5/8 1-11/16	3.38	7.88	2.38	6.13	6.38	1/2	0.75	1.25	4.25	4.47	3.19	2.13
1-3/4 1-7/8 1-15/16 2	3.50	8.88	2.50	6.88	7.13	5/8	0.88	1.31	4.50	4.69	3.44	2.25
2-3/16 2-1/4	3.75	9.63	2.63	7.63	7.88	5/8	0.88	1.50	5.00	5.17	3.75	2.50
2-7/16 2-1/2	4.00	10.50	2.88	8.38	8.63	5/8	0.88	1.63	5.50	5.63	4.06	2.75
2-11/16 2-3/4 2-15/16 3	4.50	12.00	3.00	9.31	9.69	3/4	1.00	1.88	6.25	6.34	4.72	3.13
3-3/16 3-1/4 3-7/16 3-1/2	5.00	14.00	3.50	10.81	11.19	7/8	1.19	2.25	7.50	7.50	5.50	3.75

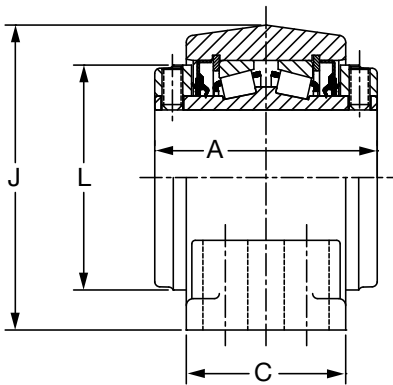
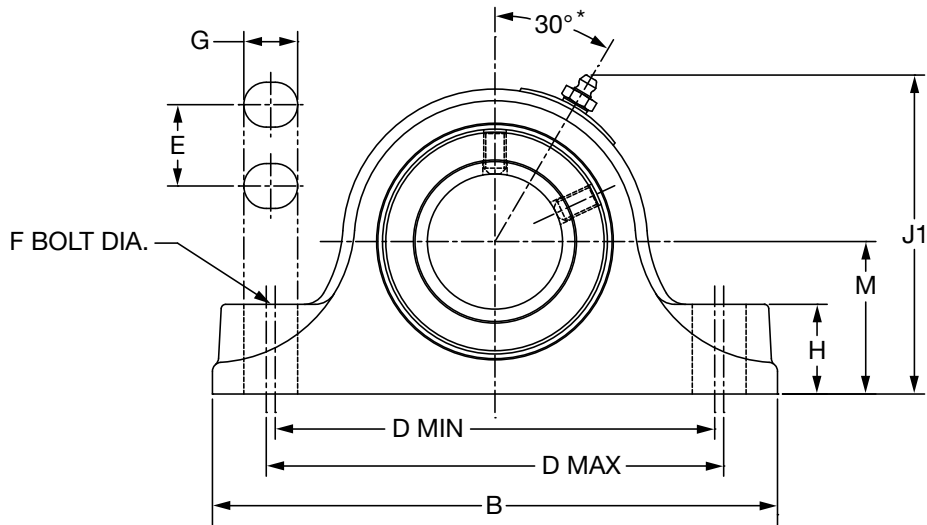
NOTE: All sizes use a 1/8-27 NPT hydraulic grease fitting

FEATURES/BENEFITS PAGE B10-2	HOW TO ORDER/NOMENCLATURE PAGE B10-9	EASY SELECTION PAGE B10-15	ACCESSORIES PAGE B10-64
---------------------------------	---	-------------------------------	----------------------------

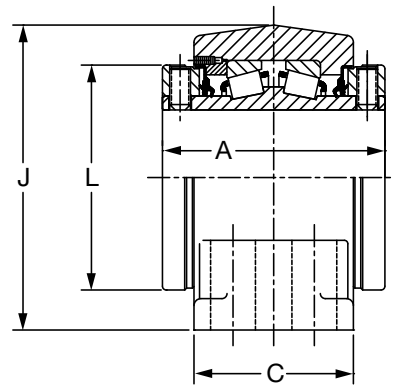
SELECTION/DIMENSIONS



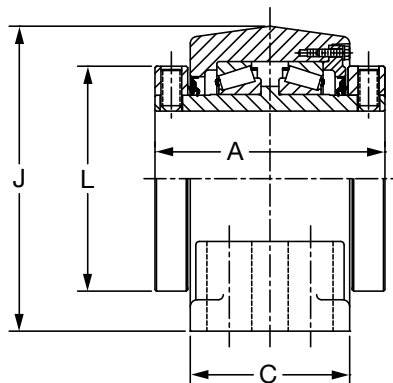
Type E-Xtra Pillow Block - Inch 4-BOLT BASE



2-1/4" THRU 3" CONSTRUCTION



3-3/16" THRU 5" CONSTRUCTION



5-7/16" THRU 7" CONSTRUCTION

FEATURES/BENEFITS PAGE B10-2	HOW TO ORDER/NOMENCLATURE PAGE B10-9	EASY SELECTION PAGE B10-15	ACCESSORIES PAGE B10-64
---------------------------------	---	-------------------------------	----------------------------

SELECTION/DIMENSIONS



Type E-Xtra Pillow Block - Inch 4-BOLT BASE

Gray Iron				Cast Steel			
Shaft Size Inches #	Part Number	Part Name	Weight Lbs (Approx)	Shaft Size Inches #	Part Number	Part Name	Weight Lbs
2-1/4	023023	P4B-E-204R	20	2-1/4	-----	-----	-----
2-7/16	023024	P4B-E-207R	20	2-7/16	-----	-----	-----
2-1/2	023025	P4B-E-208R	19	2-1/2	-----	-----	-----
2-11/16	023026	P4B-E-211R	30	2-11/16	-----	-----	-----
2-3/4	023027	P4B-E-212R	28	2-3/4	-----	-----	-----
2-15/16	023028	P4B-E-215R	28	2-15/16	-----	-----	-----
3	023029	P4B-E-300R	28	3	-----	-----	-----
3-3/16	023030	P4B-E-303R	47	3-3/16	-----	-----	-----
3-1/4	023031	P4B-E-304R	47	3-1/4	-----	-----	-----
3-7/16	023032	P4B-E-307R	46	3-7/16	-----	-----	-----
3-1/2	023033	P4B-E-308R	45	3-1/2	-----	-----	-----
3-15/16	023690	P4B-E-315R	69	3-15/16	023070	SP4B-E-315R	65
4	023691	P4B-E-400R	69	4	023071	SP4B-E-400R	65
4-7/16	023692	P4B-E-407R	85	4-7/16	023072	SP4B-E-407R	81
4-1/2	023693	P4B-E-408R	85	4-1/2	023073	SP4B-E-408R	81
4-15/16	023694	P4B-E-415R	134	4-15/16	023074	SP4B-E-415R	132
5	023695	P4B-E-500R	133	5	023075	SP4B-E-500R	132
5-7/16	023040	P4B-E-507R	230	5-7/16	-----	-----	-----
5-15/16	023041	P4B-E-515R	250	5-15/16	-----	-----	-----
6	023042	P4B-E-600R	245	6	-----	-----	-----
6-7/16	023043	P4B-E-607R	356	6-7/16	-----	-----	-----
6-1/2	023044	P4B-E-608R	350	6-1/2	-----	-----	-----
6-15/16	023045	P4B-E-615R	340	6-15/16	-----	-----	-----
7	023046	P4B-E-700R	335	7	-----	-----	-----

Consult DODGE For Sizes Not Listed

Consult DODGE For Sizes Not Listed

Shaft Size Inches	A	B	C*	D		E	F Bolt Dia	G	H	J1	J	L	M
				Min	Max								
2-1/4	4.00	10.50	3.50	8.31	8.69	1.88	5/8	0.88	1.63	5.50	5.63	4.06	2.75
2-7/16													
2-1/2													
2-11/16	4.50	12.00	4.00	9.19	9.81	2.13	5/8	1.00	1.88	6.25	6.34	4.72	3.13
2-3/4													
2-15/16													
3													
3-3/16	5.00	13.50	4.50	10.75	11.25	2.38	3/4	1.19	2.25	7.50	7.50	5.50	3.75
3-1/4													
3-7/16													
3-1/2													
3-15/16	6.25	15.25	4.50	12.25	12.75	2.25	3/4	1.13	2.44	8.50	8.44	6.00	4.25
4													
4-7/16	6.75	16.63	4.63	13.25	13.75	2.50	3/4	1.13	2.75	9.38	9.28	6.45	4.75
4-1/2													
4-15/16	7.25	18.50	5.13	15.25	15.75	2.88	7/8	1.25	3.00	10.88	10.69	7.45	5.50
5													
5-7/16	9.00	22.00	6.25	17.38	19.13	3.75	1	2.00	3.25	13.19	----	9.38	6.69
5-15/16													
6													
6-7/16	10.50	26.00	7.13	21.25	23.25	4.63	1	2.00	3.69	14.94	----	11.38	7.50
6-1/2													
6-15/16													
7													

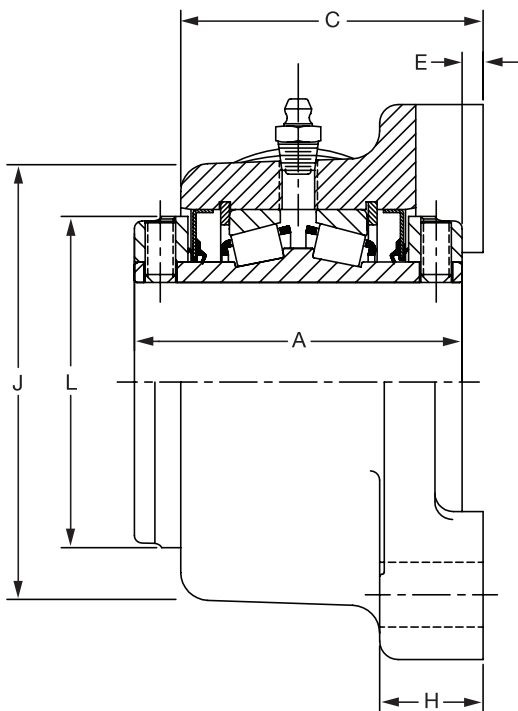
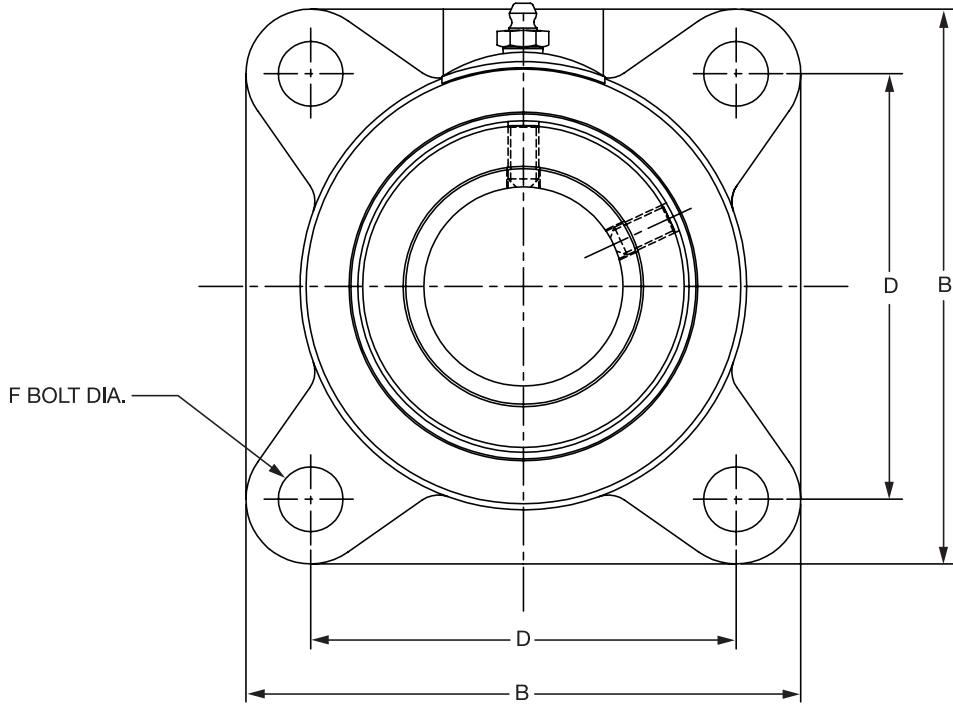
NOTE: All sizes use a 1/8-27 NPT hydraulic grease fitting

FEATURES/BENEFITS PAGE B10-2	HOW TO ORDER/NOMENCLATURE PAGE B10-9	EASY SELECTION PAGE B10-15	ACCESSORIES PAGE B10-64
---------------------------------	---	-------------------------------	----------------------------

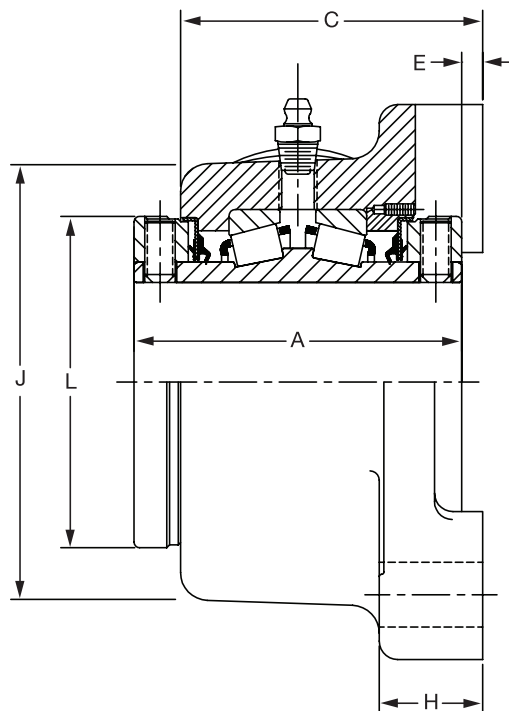
SELECTION/DIMENSIONS



Type E-Xtra Flange Bearing - Inch 4-BOLT BASE



1-3/16" THRU 3" CONSTRUCTION



3-3/16" THRU 4-1/2" CONSTRUCTION

<p>FEATURES/BENEFITS PAGE B10-2</p>	<p>HOW TO ORDER/NOMENCLATURE PAGE B10-9</p>	<p>EASY SELECTION PAGE B10-15</p>	<p>ACCESSORIES PAGE B10-64</p>
---	---	---------------------------------------	------------------------------------

SELECTION/DIMENSIONS



Type E-Xtra Flange Bearing - Inch 4-BOLT BASE

Gray Iron			
Shaft Size Inches #	Part Number	Part Name	Weight Lbs (Approx)
1-3/16	023093	F4B-E-103R	4
1-1/4	023094	F4B-E-104R	4
1-3/8	023095	F4B-E-106R	7
1-7/16	023096	F4B-E-107R	7
1-1/2	023097	F4B-E-108R	11
1-5/8	023098	F4B-E-110R	11
1-11/16	023099	F4B-E-111R	11
1-3/4	023100	F4B-E-112R	12
1-7/8	023101	F4B-E-114R	12
1-15/16	023102	F4B-E-115R	12
2	023103	F4B-E-200R	12
2-3/16	023104	F4B-E-203R	15
2-1/4	023105	F4B-E-204R	21
2-7/16	023106	F4B-E-207R	20
2-1/2	023107	F4B-E-208R	19
2-11/16	023108	F4B-E-211R	28
2-3/4	023109	F4B-E-212R	28
2-15/16	023110	F4B-E-215R	27
3	023111	F4B-E-300R	26
3-3/16	023112	F4B-E-303R	52
3-1/4	023113	F4B-E-304R	51
3-7/16	023114	F4B-E-307R	50
3-1/2	023115	F4B-E-308R	50
3-15/16	023116	F4B-E-315R	75
4	023117	F4B-E-400R	75
4-7/16	023118	F4B-E-407R	90
4-1/2	023119	F4B-E-408R	90

Consult DODGE For Sizes Not Listed.

Shaft Size Inches	A	B	C	D	E	F Bolt Dia.	H	J	L
1-3/16	2.81	3.75	2.34	2.88	0.06	3/8	1.00	2.94	2.25
1-1/4									
1-3/8	3.06	4.63	2.59	3.50	0.06	1/2	1.06	3.50	2.75
1-7/16									
1-1/2	3.50	5.38	2.97	4.13	0.13	1/2	1.19	4.19	3.19
1-5/8									
1-11/16									
1-3/4	3.63	5.63	3.09	4.38	0.13	1/2	1.19	4.44	3.44
1-7/8									
1-15/16									
2									
2-3/16	3.88	6.25	3.28	4.88	0.13	5/8	1.38	4.88	3.75
2-1/4									
2-7/16									
2-1/2									
2-11/16	4.69	7.75	3.94	6.00	0.19	3/4	1.63	6.00	4.72
2-3/4									
2-15/16									
3									
3-3/16	5.25	9.25	4.50	7.00	0.25	3/4	1.88	7.25	5.50
3-1/4									
3-7/16									
3-1/2									
3-15/16	6.50	10.25	5.63	7.75	0.25	7/8	2.13	8.25	6.00
4									
4-7/16	7.09	10.88	5.94	8.75	0.34	7/8	2.44	8.75	6.45
4-1/2									

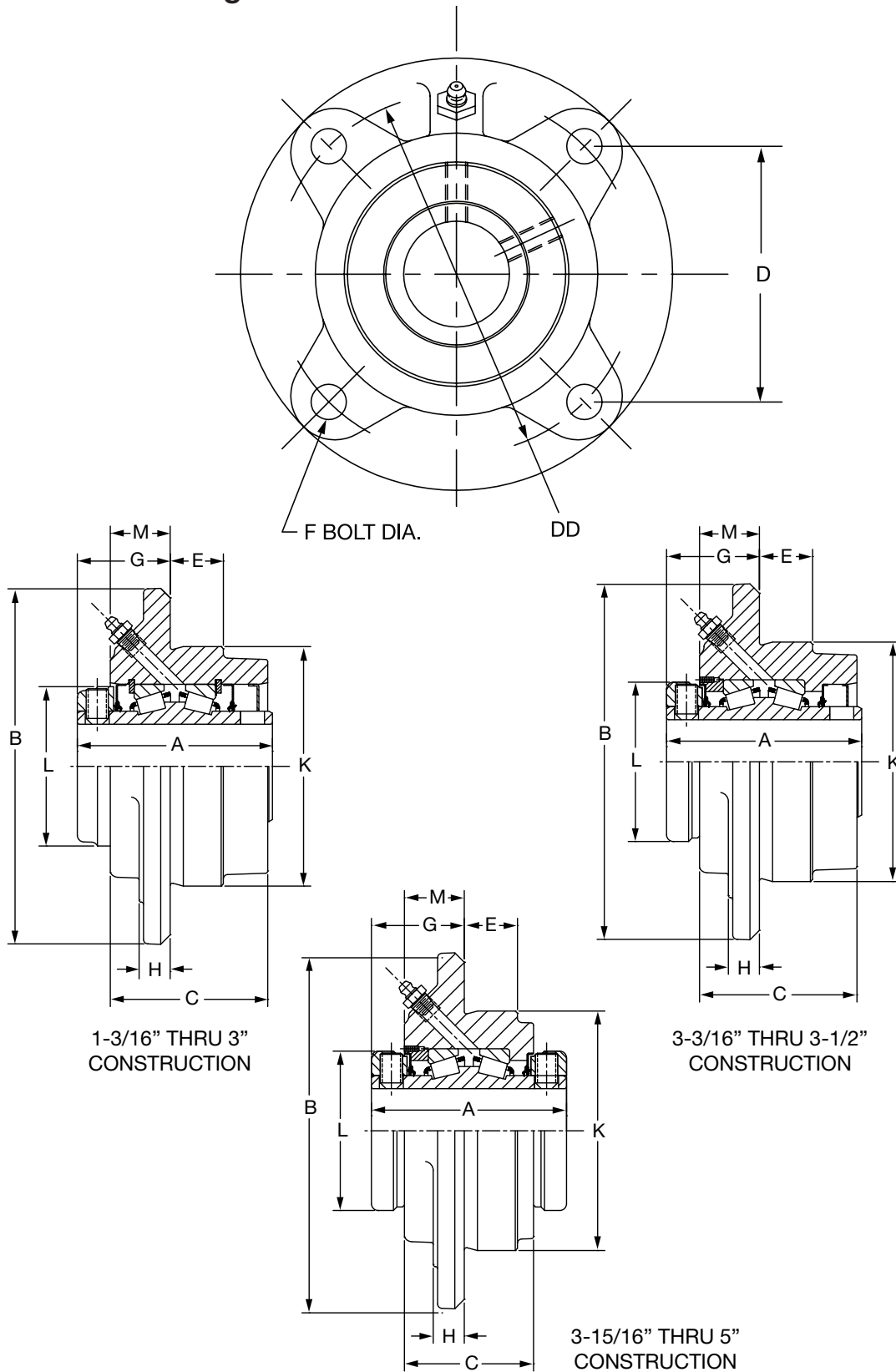
NOTE: All sizes use a 1/8-27 NPT hydraulic grease fitting

FEATURES/BENEFITS PAGE B10-2	HOW TO ORDER/NOMENCLATURE PAGE B10-9	EASY SELECTION PAGE B10-15	ACCESSORIES PAGE B10-64
---------------------------------	---	-------------------------------	----------------------------

SELECTION/DIMENSIONS



Type E-Xtra Piloted Flange



<p>FEATURES/BENEFITS PAGE B10-2</p>	<p>HOW TO ORDER/NOMENCLATURE PAGE B10-9</p>	<p>EASY SELECTION PAGE B10-15</p>	<p>ACCESSORIES PAGE B10-64</p>
---	---	---------------------------------------	------------------------------------

SELECTION/DIMENSIONS



Type E-Xtra Piloted Flange

Gray Iron			
Shaft Size Inches #	Part Number	Part Name	Weight Lbs (Approx)
1-3/16	023120	FC-E-103R	5
1-1/4	023121	FC-E-104R	5
1-3/8	023122	FC-E-106R	7
1-7/16	023123	FC-E-107R	6
1-1/2	023124	FC-E-108R	10
1-5/8	023125	FC-E-110R	9
1-11/16	023126	FC-E-111R	9
1-3/4	023127	FC-E-112R	11
1-7/8	023128	FC-E-114R	10
1-15/16	023129	FC-E-115R	10
2	023130	FC-E-200R	10
2-3/16	023131	FC-E-203R	14
2-1/4	023132	FC-E-204R	18
2-7/16	023133	FC-E-207R	18
2-1/2	023134	FC-E-208R	17
2-11/16	023135	FC-E-211R	27
2-3/4	023136	FC-E-212R	27
2-15/16	023137	FC-E-215R	25
3	023138	FC-E-300R	25
3-3/16	023139	FC-E-303R	44
3-1/4	023140	FC-E-304R	44
3-7/16	023141	FC-E-307R	43
3-1/2	023142	FC-E-308R	42
3-15/16	023143	FC-E-315R	59
4	023144	FC-E-400R	58
4-7/16 ##	023145	FC-E-407R	110
4-1/2 ##	023146	FC-E-408R	110
4-15/16 ##	023147	FC-E-415R	130
5 ##	023148	FC-E-500R	130

Consult DODGE For Sizes Not Listed.

Shaft Size Inches	A	B	C	D	ØDD	E	F Bolt#	G	H	K**	L	M
1-3/16												
1-1/4	2.75	5.00	2.22	2.92	4.13	0.75	3/8	1.31	0.44	3.38	2.25	0.84
1-3/8												
1-7/16	3.00	5.25	2.47	3.09	4.38	0.88	3/8	1.50	0.50	3.63	2.75	1.03
1-1/2												
1-5/8	3.38	6.13	2.39	3.62	5.13	1.06	7/16	1.56	0.50	4.25	3.19	1.03
1-11/16												
1-3/4												
1-7/8	3.50	6.38	2.91	3.80	5.38	1.19	7/16	1.56	0.56	4.50	3.44	1.03
1-15/16												
2												
2-3/16	3.75	7.13	3.09	4.24	6.00	1.19	1/2	1.69	0.56	5.00	3.75	1.09
2-1/4												
2-7/16	4.00	7.63	3.31	4.60	6.50	1.31	1/2	1.81	0.63	5.50	4.06	1.19
2-1/2												
2-11/16												
2-3/4	4.50	8.75	3.69	5.30	7.50	1.50	5/8	2.00	0.75	6.38	4.72	1.25
2-15/16												
3												
3-3/16												
3-1/4	5.00	10.25	4.19	6.10	8.63	1.25	3/4	2.44	0.94	7.38	5.50	1.69
3-7/16												
3-1/2												
3-15/16	6.25	10.88	4.50	6.63	9.38	1.50	3/4	2.69	1.00	8.13	6.00	1.81
4												
4-7/16	6.75	13.50	4.63	##	11.75	1.50	3/4##	3.00	1.00	10.25	6.45	1.94
4-1/2												
4-15/16	7.25	14.75	5.06	##	12.75	1.75	7/8##	2.97	1.25	11.00	7.45	1.88
5												

* 1-3/16 To 3-1/2 - One Collar
3-15/16 To 5, - Two Collars

(6) BOLTS EQUALLY SPACED
** +.000 -.002

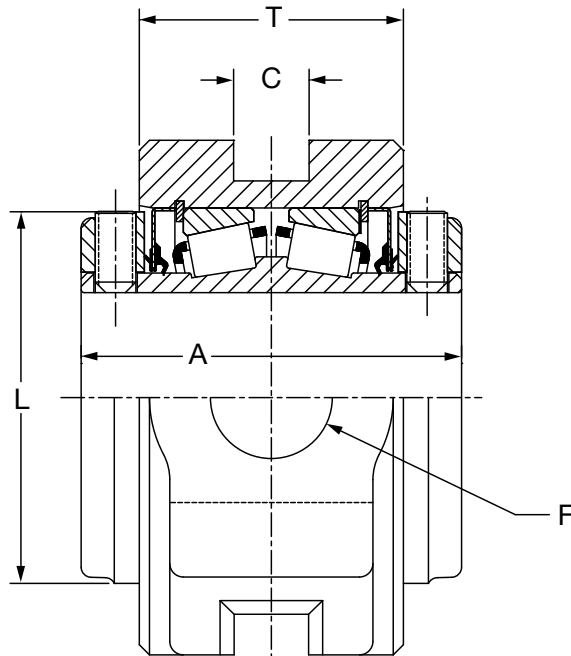
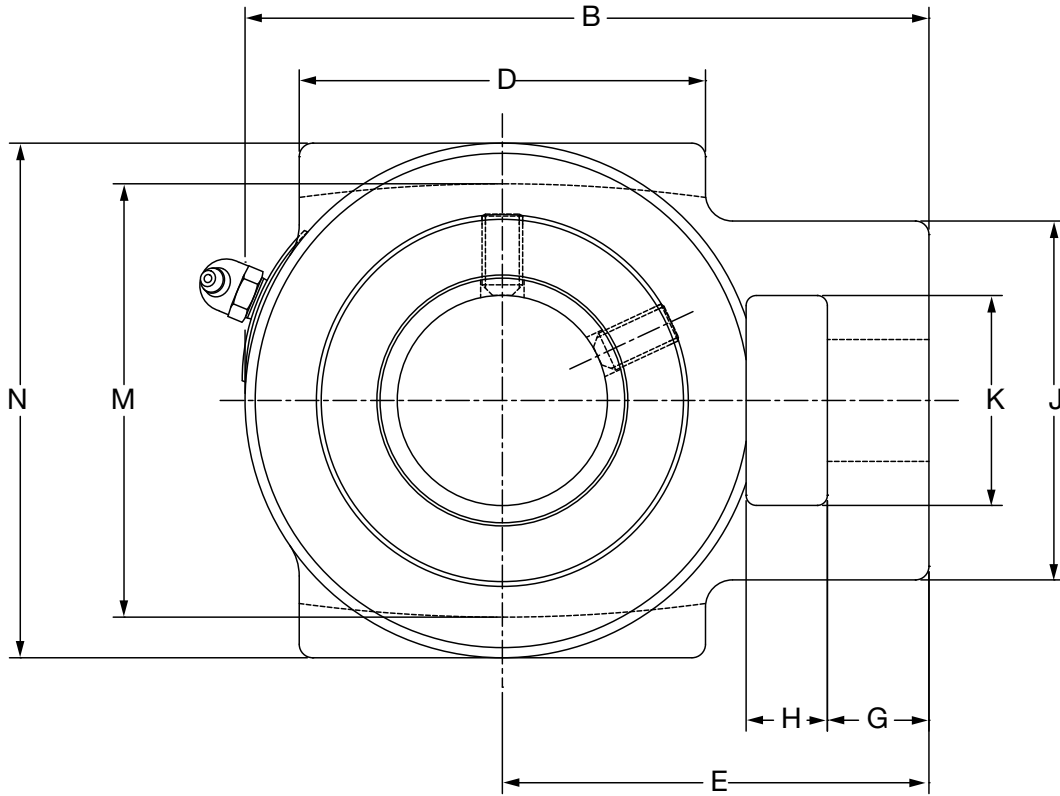
NOTE: All sizes use a 1/8-27 NPT hydraulic grease fitting

FEATURES/BENEFITS PAGE B10-2	HOW TO ORDER/NOMENCLATURE PAGE B10-9	EASY SELECTION PAGE B10-15	ACCESSORIES PAGE B10-64
---------------------------------	---	-------------------------------	----------------------------

SELECTION/DIMENSIONS



Type E-Xtra Wide Slot Take-Up Unit



1-3/8" THRU 3" CONSTRUCTION

<p>FEATURES/BENEFITS PAGE B10-2</p>	<p>HOW TO ORDER/NOMENCLATURE PAGE B10-9</p>	<p>EASY SELECTION PAGE B10-15</p>	<p>ACCESSORIES PAGE B10-64</p>
---	---	---------------------------------------	------------------------------------

SELECTION/DIMENSIONS



Type E-Xtra Wide Slot Take-Up Unit

Gray Iron				
Shaft Size # Inches	Part Number	Part Name	Weight Lbs (Approx)	Frame Δ
1-3/8	023076	WSTU-E-106R	8	CP308
1-7/16	023077	WSTU-E-107R	8	
1-1/2	023078	WSTU-E-108R	10	CP400
1-5/8	023079	WSTU-E-110R	10	
1-11/16	023080	WSTU-E-111R	10	
1-3/4	023081	WSTU-E-112R	12	CP400
1-7/8	023082	WSTU-E-114R	12	
1-15/16	023083	WSTU-E-115R	12	
2	023084	WSTU-E-200R	12	
2-3/16	023085	WSTU-E-203R	16	CP408
2-1/4	023086	WSTU-E-204R	21	CP502
2-7/16	023087	WSTU-E-207R	21	
2-1/2	023088	WSTU-E-208R	21	
2-11/16	023089	WSTU-E-211R	30	CP515
2-3/4	023090	WSTU-E-212R	30	
2-15/16	023091	WSTU-E-215R	30	
3	023092	WSTU-E-300R	30	

Consult DODGE For Sizes Not Listed.

Δ See page B15-20 for CP Take-Up Frame

Shaft Size Inches	A	B	C	D	E	F Screw Dia	G	H	J	K	L	M	N	T
1-3/8 1-7/16	3.00	5.09	0.53	2.75	3.22	3/4	0.69	0.63	2.44	1.44	2.75	3.50	4.13	2.06
1-1/2 1-5/8 1-11/16	3.38	6.00	0.69	3.25	3.81	1	0.94	0.75	3.31	1.94	3.79	4.00	4.75	2.31
1-3/4 1-7/8 1-15/16 2	3.50	6.31	0.69	3.75	3.94	1	0.94	0.75	3.31	1.94	3.44	4.00	4.75	2.44
2-3/16 2-1/4 2-7/16 2-1/2	3.75	7.13	0.81	3.75	4.63	1-1/8	1.00	1.25	3.88	2.25	3.75	4.50	5.25	2.56
2-11/16 2-3/4 2-15/16 3	4.50	9.13	1.81	4.75	5.88	1-1/2	1.13	1.50	4.88	2.75	4.72	5.94	6.75	3.00

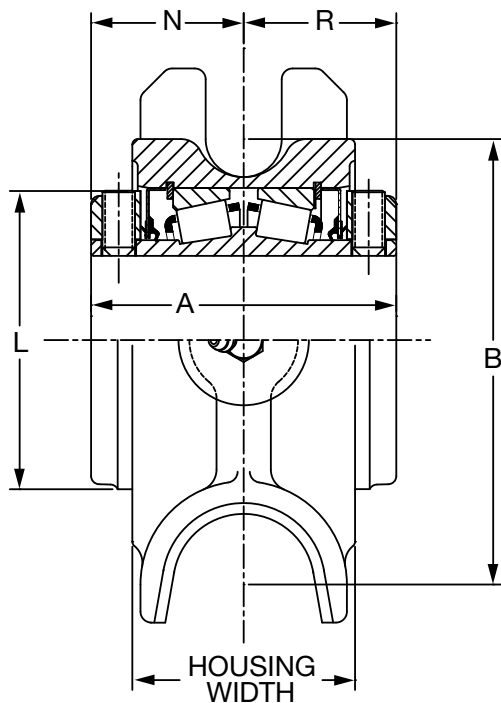
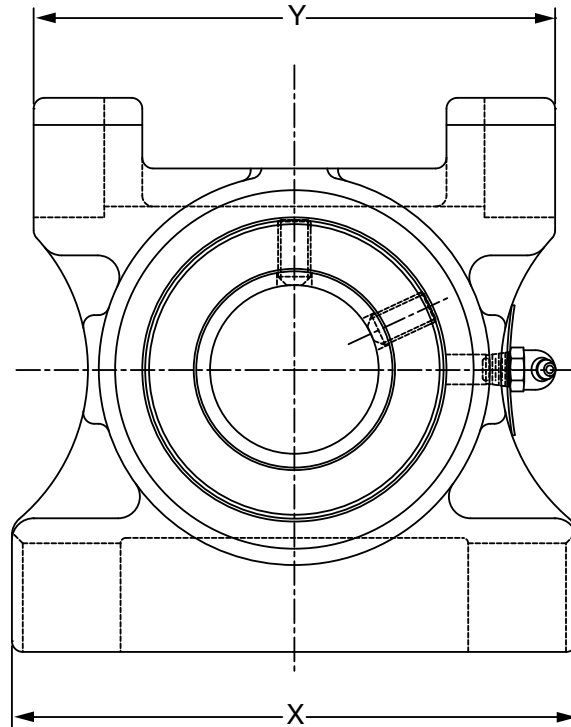
NOTE: All sizes use a 1/8-27 NPT hydraulic grease fitting

FEATURES/BENEFITS PAGE B10-2	HOW TO ORDER/NOMENCLATURE PAGE B10-9	EASY SELECTION PAGE B10-15	ACCESSORIES PAGE B10-64
---------------------------------	---	-------------------------------	----------------------------

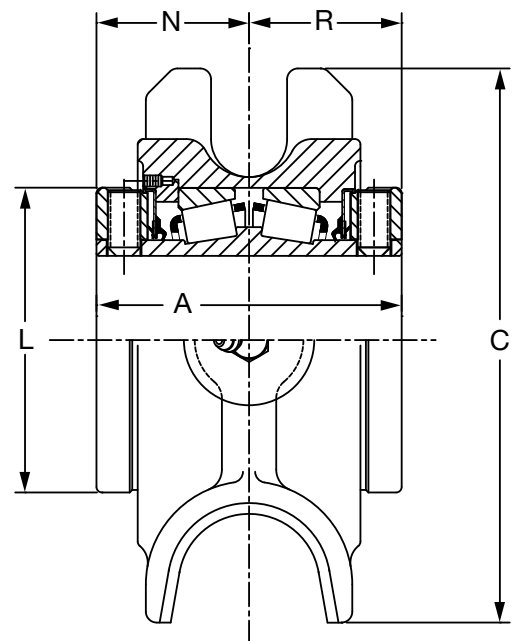
SELECTION/DIMENSIONS



Type E-Xtra TP Take-Up Bearing - Inch



1-3/4" THRU 3" CONSTRUCTION



3-3/16" THRU 4" CONSTRUCTION

<p>FEATURES/BENEFITS PAGE B10-2</p>	<p>HOW TO ORDER/NOMENCLATURE PAGE B10-9</p>	<p>EASY SELECTION PAGE B10-15</p>	<p>ACCESSORIES PAGE B10-64</p>
---	---	---------------------------------------	------------------------------------

SELECTION/DIMENSIONS



Type E-Xtra TP Take-Up Bearing - Inch

Gray Iron				
Shaft Size Inches #	Part Number	Part Name	Weight Lbs (Approx)	Frame Size Ref.
1-3/4	023149	TP-E-112R	14	TP10
1-7/8	023150	TP-E-114R	14	TP10
1-15/16	023151	TP-E-115R	14	TP10
2	023152	TP-E-200R	14	TP10
2-3/16	023153	TP-E-203R	16	TP20
2-1/4	023154	TP-E-204R	21	TP30
2-7/16	023155	TP-E-207R	21	TP30
2-1/2	023156	TP-E-208R	21	TP30
2-11/16	023157	TP-E-211R	29	TP40
2-3/4	023158	TP-E-212R	29	TP40
2-15/16	023159	TP-E-215R	29	TP40
3	023160	TP-E-300R	29	TP40
3-3/16	023161	TP-E-303R	43	TP50
3-1/4	023162	TP-E-304R	43	TP50
3-7/16	023163	TP-E-307R	42	TP50
3-1/2	023164	TP-E-308R	42	TP50
3-15/16	023165	TP-E-315R	62	TP60
4	023166	TP-E-400R	62	TP60

Consult DODGE For Sizes Not Listed.

Shaft Size	A	B	C	L	N	Housing Width	X	Y
1-3/4 1-7/8 1-15/16 2	3.50	5.19	6.38	3.44	1.75	2.56	6.50	6.00
2-3/16 2-1/4 2-7/16 2-1/2	3.75 4.00	5.81 6.25	6.88 7.44	3.75 4.06	1.88 2.00	2.56 3.00	6.75 7.50	7.00 7.00
2-11/16 2-3/4 2-15/16 3	4.50	7.19	8.31	4.72	2.25	3.00	8.50	8.00
3-3/16 3-1/4 3-7/16 3-1/2	5.00	8.31	9.63	5.50	2.50	3.75	9.50	9.00
3-15/16 4	6.25	9.06	11.00	6.00	3.13	4.75	11.00	10.50

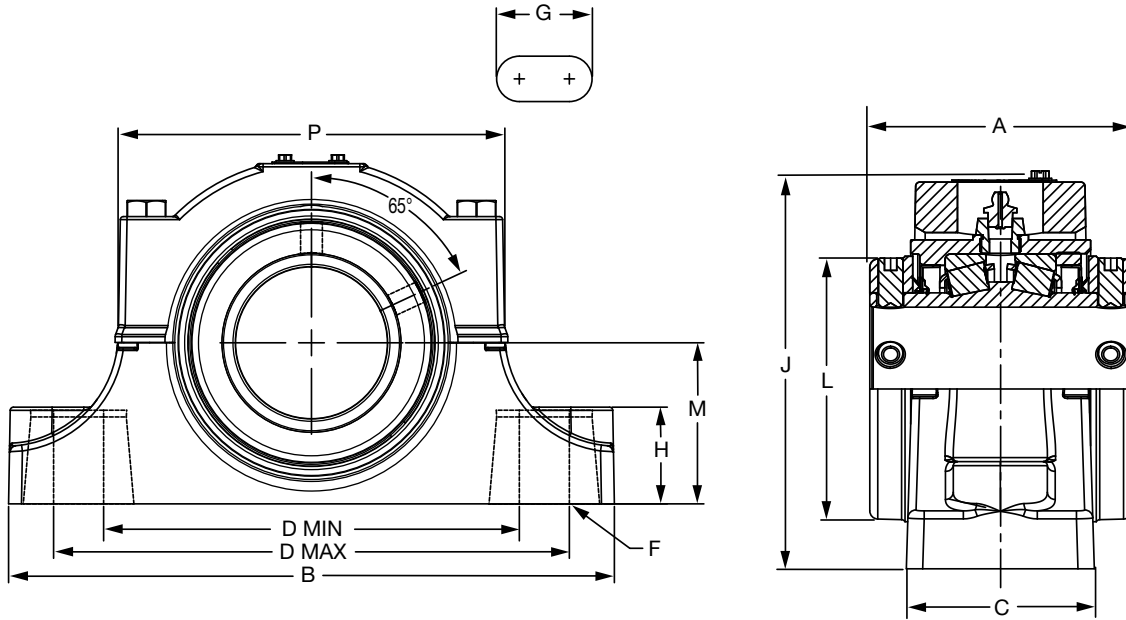
NOTE: All sizes use a 1/8-27 NPT hydraulic grease fitting

FEATURES/BENEFITS PAGE B10-2	HOW TO ORDER/NOMENCLATURE PAGE B10-9	EASY SELECTION PAGE B10-15	ACCESSORIES PAGE B10-64
---------------------------------	---	-------------------------------	----------------------------

SELECTION/DIMENSIONS



Type EXL Pillow Block 2-Bolt Base



Shaft Size	Non-Expansion Part No.	Part Name	Expansion Part No.	Part Name
1-3/16	077221	P2B-EXL-103R	077244	P2B-EXL-103RE
1-1/4	077222	P2B-EXL-104R	077245	P2B-EXL-104RE
1-3/8	077223	P2B-EXL-106R	077246	P2B-EXL-106RE
1-7/16	077224	P2B-EXL-107R	077247	P2B-EXL-107RE
1-1/2	077225	P2B-EXL-108R	077248	P2B-EXL-108RE
1-5/8	077226	P2B-EXL-110R	077249	P2B-EXL-110RE
1-11/16	077227	P2B-EXL-111R	077250	P2B-EXL-111RE
1-3/4	077228	P2B-EXL-112R	077251	P2B-EXL-112RE
1-7/8	077229	P2B-EXL-114R	077252	P2B-EXL-114RE
1-15/16	077230	P2B-EXL-115R	077253	P2B-EXL-115RE
2	077231	P2B-EXL-200R	077254	P2B-EXL-200RE
2-3/16	077232	P2B-EXL-203R	077255	P2B-EXL-203RE
2-1/4	077233	P2B-EXL-204R	077256	P2B-EXL-204RE
2-7/16	077234	P2B-EXL-207R	077257	P2B-EXL-207RE
2-1/2	077235	P2B-EXL-208R	077258	P2B-EXL-208RE
2-11/16	077236	P2B-EXL-211R	077259	P2B-EXL-211RE
2-3/4	077237	P2B-EXL-212R	077260	P2B-EXL-212RE
2-15/16	077238	P2B-EXL-215R	077261	P2B-EXL-215RE
3	077239	P2B-EXL-300R	077262	P2B-EXL-300RE
3-3/16	077240	P2B-EXL-303R	077263	P2B-EXL-303RE
3-1/4	077241	P2B-EXL-304R	077264	P2B-EXL-304RE
3-7/16	077242	P2B-EXL-307R	077265	P2B-EXL-307RE
3-1/2	077243	P2B-EXL-308R	077266	P2B-EXL-308RE

FEATURES/BENEFITS PAGE B10-2	HOW TO ORDER/NOMENCLATURE PAGE B10-9	EASY SELECTION PAGE B10-15	ACCESSORIES PAGE B10-64
---------------------------------	---	-------------------------------	----------------------------

SELECTION/DIMENSIONS



Bearing Reference Guide
 E-Family Roller Bearings
 Specialty Tapered Products
 S-2000
 UNISPHERE II
 IMPERIAL
 UNIFIED SAF

Type EXL Pillow Block 2-Bolt Base

Shaft Size	Weight lbs (Approx)	A	B	C	D		F Bolt Dia.
					Min	Max	
1-3/16	10	2.75	6.25	1.88	4.56	4.94	1/2
1-1/4	10						
1-3/8	12	3.00	7.25	2.19	5.31	5.94	1/2
1-7/16	12						
1-1/2	12	3.38	7.75	2.37	5.56	6.44	1/2
1-5/8	15						
1-11/16	15						
1-3/4	15						
1-7/8	19	3.50	8.88	2.54	6.31	7.19	5/8
1-15/16	19						
2	19						
2-3/16	24	3.75	9.62	2.65	6.69	7.94	5/8
2-1/4	24						
2-7/16	29						
2-1/2	29						
2-11/16	42	4.50	11.75	3.32	8.06	10.00	3/4
2-3/4	42						
2-15/16	43						
3	43						
3-3/16	73	5.00	13.75	4.00	10.12	11.75	7/8
3-1/4	73						
3-7/16	73						
3-1/2	73						

Shaft Size	Weight lbs (Approx)	G	H	J	L	M	P	EXP *
1-3/16	10	0.75	0.88	3.51	2.25	1.50	4.06	0.56
1-1/4	10							
1-3/8	12	0.94	1.13	4.17	2.75	1.88	4.63	0.56
1-7/16	12							
1-1/2	12	1.07	1.25	4.69	3.19	2.13	5.13	0.56
1-5/8	15							
1-11/16	15							
1-3/4	15							
1-7/8	19	1.19	1.31	4.99	3.44	2.25	5.56	0.56
1-15/16	19							
2	19							
2-3/16	24	1.38	1.50	5.42	3.75	2.50	6.00	0.56
2-1/4	24							
2-7/16	29							
2-1/2	29							
2-11/16	42	1.85	1.88	6.77	4.72	3.13	7.50	0.56
2-3/4	42							
2-15/16	43							
3	43							
3-3/16	73	1.82	2.25	7.97	5.50	3.75	9.31	0.56
3-1/4	73							
3-7/16	73							
3-1/2	73							

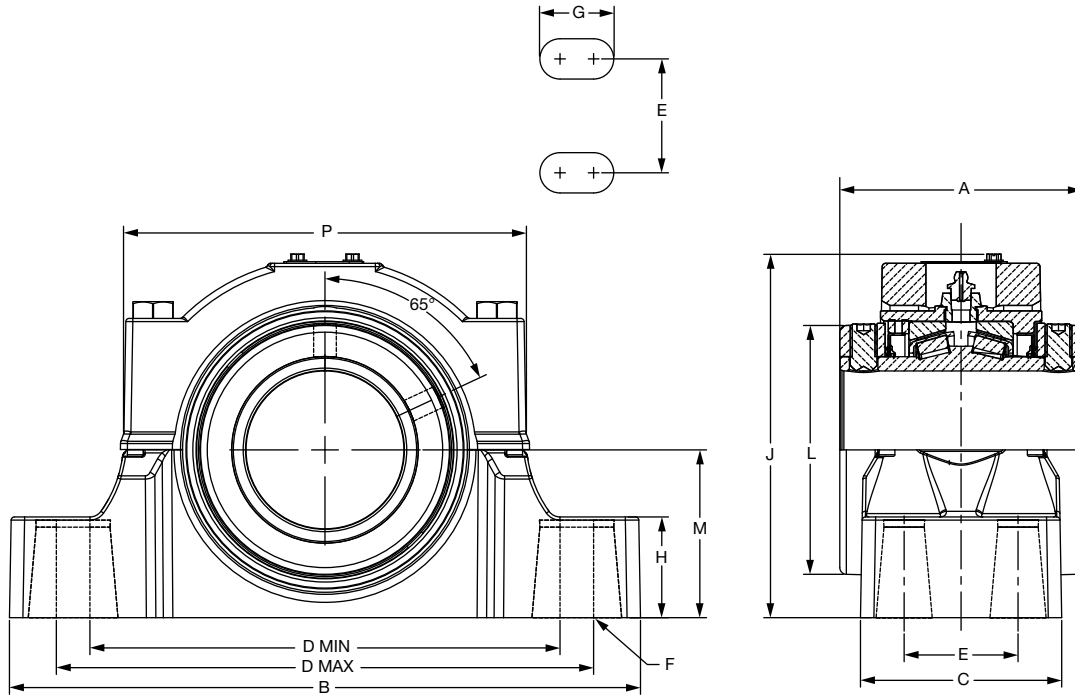
* EXP. Total Expansion Divided Equally On Both Sides Of Bearing (Expansion Bearing Only)

FEATURES/BENEFITS PAGE B10-2	HOW TO ORDER/NOMENCLATURE PAGE B10-9	EASY SELECTION PAGE B10-15	ACCESSORIES PAGE B10-64
---------------------------------	---	-------------------------------	----------------------------

SELECTION/DIMENSIONS



Type EXL Pillow Block 4-Bolt Base



Shaft Size	Non-Expansion Part No.	Part Name	Expansion Part No.	Part Name
2-1/4	077267	P4B-EXL-204R	077284	P4B-EXL-204RE
2-7/16	077268	P4B-EXL207R	077285	P4B-EXL-207RE
2-1/2	077269	P4B-EXL-208R	077286	P4B-EXL-208RE
2-11/16	077270	P4B-EXL-211R	077287	P4B-EXL-211RE
2-3/4	077271	P4B-EXL-212R	077288	P4B-EXL-212RE
2-15/16	077272	P4B-EXL-215R	077289	P4B-EXL-215RE
3	077273	P4B-EXL-300R	077290	P4B-EXL-300RE
3-3/16	077274	P4B-EXL-303R	077291	P4B-EXL-303RE
3-1/4	077275	P4B-EXL-304R	077292	P4B-EXL-304RE
3-7/16	077276	P4B-EXL-307R	077293	P4B-EXL-307RE
3-1/2	077277	P4B-EXL-308R	077294	P4B-EXL-308RE
3-15/16	077278	P4B-EXL-315R	077295	P4B-EXL-315RE
4	077279	P4B-EXL-400R	077296	P4B-EXL-400RE
4-7/16	077280	P4B-EXL-407R	077297	P4B-EXL-407RE
4-1/2	077281	P4B-EXL-408R	077298	P4B-EXL-408RE
4-15/16	077282	P4B-EXL-415R	077299	P4B-EXL-415RE
5	077283	P4B-EXL-500R	077300	P4B-EXL-500RE

FEATURES/BENEFITS PAGE B10-2	HOW TO ORDER/NOMENCLATURE PAGE B10-9	EASY SELECTION PAGE B10-15	ACCESSORIES PAGE B10-64
---------------------------------	---	-------------------------------	----------------------------

SELECTION/DIMENSIONS



Type EXL Pillow Block 4-Bolt Base

Bearing Reference
Guide

E-Family Roller
Bearings

Specialty Tapered
Products

S-2000

UNISPHERE II

IMPERIAL

UNIFIED SAF

Shaft Size	Weight lbs (Approx.)	A	B	C	D		E	F Bolts Dia.
					Min	Max		
2-1/4	29	4.00	10.38	3.50	7.75	8.25	1.88	5/8
2-7/16	29							
2-1/2	29							
2-11/16	42	4.50	11.75	3.75	8.75	10.00	2.12	5/8
2-3/4	42							
2-15/16	42							
3	42							
3-3/16	73	5.00	13.75	4.50	10.56	11.75	2.38	3/4
3-1/4	73							
3-7/16	73							
3-1/2	73							
3-15/16	109	6.25	15.25	4.74	11.00	13.00	2.25	3/4
4	109							
4-7/16	154	6.75	16.50	5.08	12.00	13.88	2.50	3/4
4-1/2	154							
4-15/16	192	7.25	18.50	5.66	13.50	15.88	2.88	3/4
5	192							

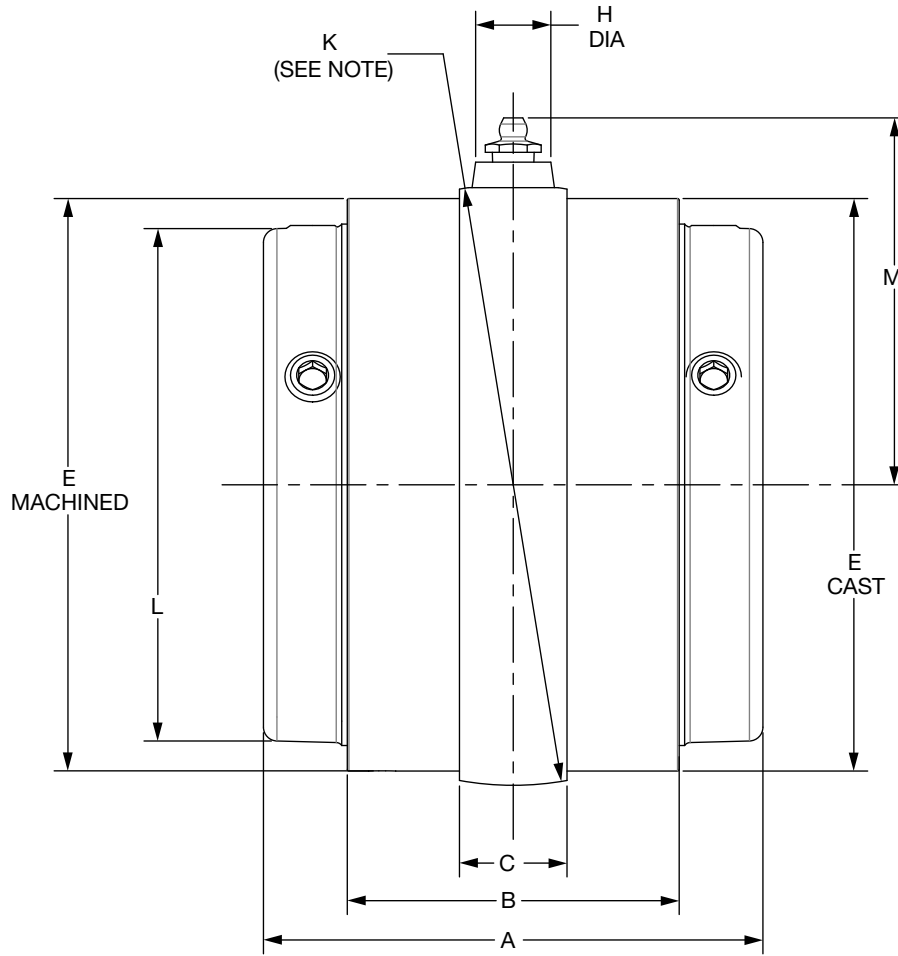
Shaft Size	Weight lbs (Approx.)	G	H	J	L	M	P	EXP *
2-1/4	29	1.25	1.63	6.08	4.06	2.75	6.41	0.56
2-7/16	29							
2-1/2	29							
2-11/16	42	1.38	1.88	6.77	4.72	3.13	7.50	0.56
2-3/4	42							
2-15/16	42							
3	42							
3-3/16	73	1.48	2.25	7.97	5.50	3.75	9.31	0.56
3-1/4	73							
3-7/16	73							
3-1/2	73							
3-15/16	109	1.88	2.44	8.81	6.00	4.25	10.08	0.56
4	109							
4-7/16	154	1.82	2.75	9.79	6.45	4.75	11.08	0.56
4-1/2	154							
4-15/16	192	2.23	3.00	11.36	7.25	5.50	12.71	0.56
5	192							

* EXP - Total Expansion Divided Equally On Both Sides Of Bearing (Expansion Bearings Only)

FEATURES/BENEFITS PAGE B10-2	HOW TO ORDER/NOMENCLATURE PAGE B10-9	EASY SELECTION PAGE B10-15	ACCESSORIES PAGE B10-64
---------------------------------	---	-------------------------------	----------------------------



Type EXL S-1 UNIT



FEATURES/BENEFITS PAGE B10-2	HOW TO ORDER/NOMENCLATURE PAGE B10-9	EASY SELECTION PAGE B10-15	ACCESSORIES PAGE B10-64
---------------------------------	---	-------------------------------	----------------------------

SELECTION/DIMENSIONS



Type EXL S-1 UNIT

Shaft Size	Part Number	Part Name	Weight lbs (Approx.)	A	B	C	E	K *	L	M
1-3/16	077192	S1U-EXL-103R	3							
1-1/4	077193	S1U-EXL-104R	3	2.75	1.88	0.56	2.51	2.6370	2.25	1.66
1-3/8	077194	S1U-EXL-106R	4							
1-7/16	077195	S1U-EXL-107R	4	3.00	2.06	0.62	3.03	3.2000	2.75	1.94
1-1/2	077196	S1U-EXL-108R	4							
1-5/8	077197	S1U-EXL-110R	6	3.38	2.31	0.75	3.49	3.6920	3.19	2.19
1-11/16	077198	S1U-EXL-111R	6							
1-3/4	077199	S1U-EXL-112R	6							
1-7/8	077200	S1U-EXL-114R	6							
1-15/16	077201	S1U-EXL-115R	7	3.50	2.44	0.82	3.75	3.9650	3.44	2.38
2	077202	S1U-EXL-200R	7							
2-3/16	077203	S1U-EXL-203R	9	3.75	2.56	0.84	4.22	4.4380	3.75	2.61
2-1/4	077204	S1U-EXL-204R	11							
2-7/16	077205	S1U-EXL-207R	11	4.00	2.75	0.85	4.56	4.7810	4.06	3.04
2-1/2	077206	S1U-EXL-208R	11							
2-11/16	077207	S1U-EXL-211R	16							
2-3/4	077208	S1U-EXL-212R	16	4.50	3.00	0.98	5.17	5.4325	4.72	3.37
2-15/16	077209	S1U-EXL-215R	16							
3	077210	S1U-EXL-300R	16							
3-3/16	077211	S1U-EXL-303R	30							
3-1/4	077212	S1U-EXL-304R	30	5.00	3.50	1.12	6.30	6.5940	5.50	3.95
3-7/16	077213	S1U-EXL-307R	30							
3-1/2	077214	S1U-EXL-308R	30							
3-15/16	077215	S1U-EXL-315R	42	6.25	4.50	1.56	6.84	7.2640	6.00	4.28
4	077216	S1U-EXL-400R	42							
4-7/16	077217	S1U-EXL-407R	56	6.75	4.63	1.63	7.56	8.0000	6.45	4.65
4-1/2	077218	S1U-EXL-408R	56							
4-15/16	077219	S1U-EXL-415R	81	7.25	5.13	1.87	8.79	9.2900	7.25	5.30
5	077220	S1U-EXL-500R	81							

* ±.0005

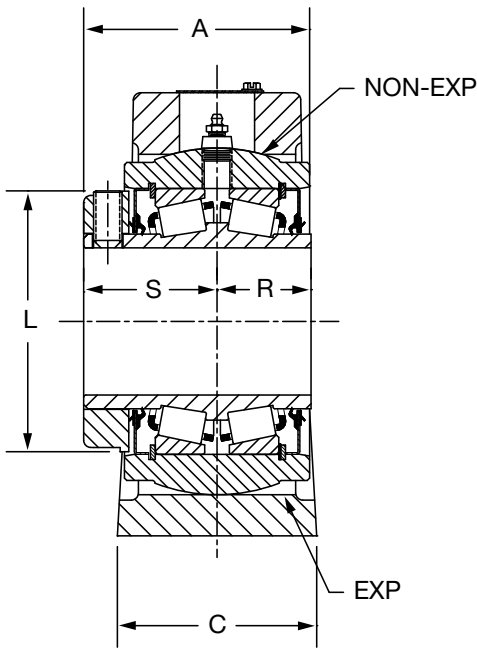
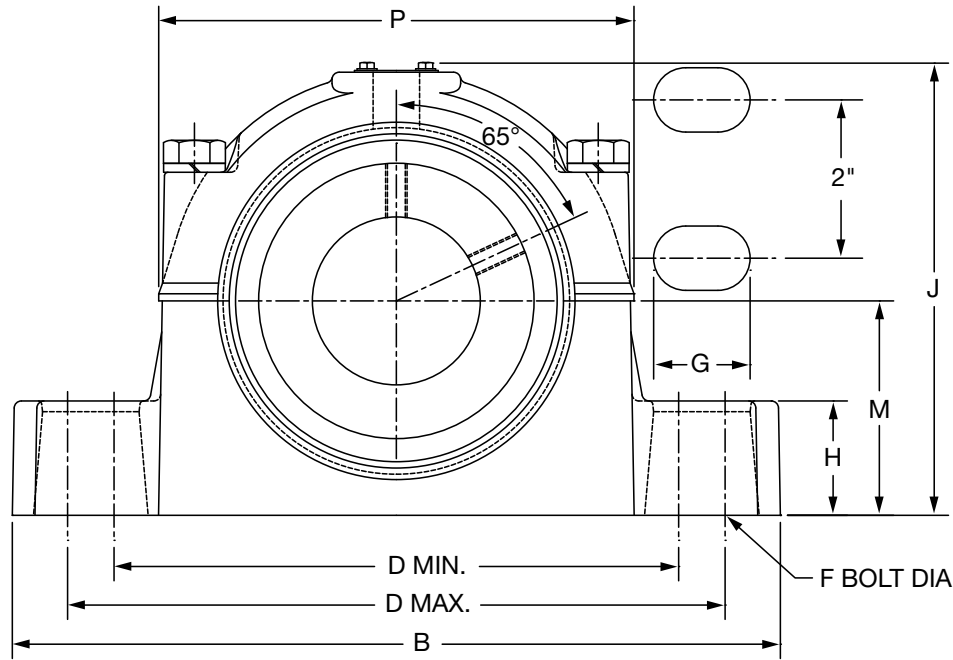
Bearing Reference Guide
 E-Family Roller Bearings
 Specialty Tapered Products
 S-2000
 UNISPHERE II
 IMPERIAL
 UNIFIED SAF

FEATURES/BENEFITS PAGE B10-2	HOW TO ORDER/NOMENCLATURE PAGE B10-9	EASY SELECTION PAGE B10-15	ACCESSORIES PAGE B10-64
---------------------------------	---	-------------------------------	----------------------------

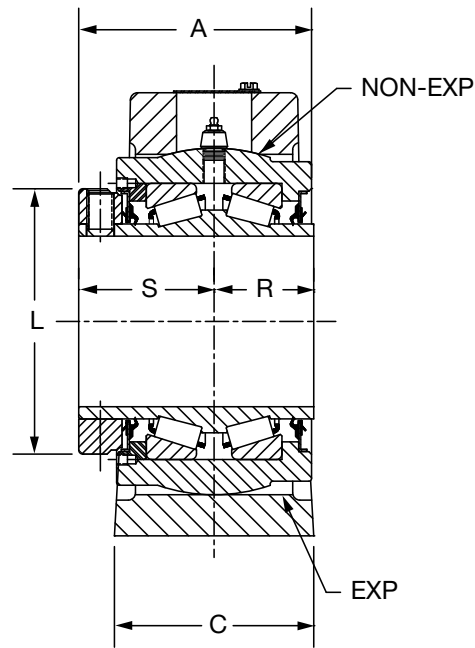
SELECTION/DIMENSIONS



Type K Pillow Block 2 & 4 BOLT BASE - INCH*



1-3/16" THRU 3" CONSTRUCTION



3-3/16" THRU 3-15/16" CONSTRUCTION

1-13/16" THRU 3-1/2" (2 BOLT BASE)
3-15/16" (4 BOLT BASE)

FEATURES/BENEFITS PAGE B10-2	HOW TO ORDER/NOMENCLATURE PAGE B10-9	EASY SELECTION PAGE B10-15	ACCESSORIES PAGE B10-64
---------------------------------	---	-------------------------------	----------------------------



SELECTION/DIMENSIONS

Type K Pillow Block 2 & 4 BOLT BASE - INCH*

Gray Iron Non-Expansion				Gray Iron Expansion			
Shaft Size Inches #	Part Number	Part Name	Weight Lbs (Approx)	Shaft Size Inches #	Part Number	Part Name	Weight Lbs (Approx)
1-3/16	023167	P2B-K-103R	9	1-3/16	023189	P2B-K-103RE	9
1-1/4	023168	P2B-K-104R	9	1-1/4	023190	P2B-K-104RE	9
1-7/16	023170	P2B-K-107R	11	1-7/16	023192	P2B-K-107RE	11
1-1/2	023171	P2B-K-108R	15	1-1/2	023193	P2B-K-108RE	15
1-5/8	023172	P2B-K-110R	14	1-5/8	023194	P2B-K-110RE	14
1-11/16	023173	P2B-K-111R	14	1-11/16	023195	P2B-K-111RE	14
1-3/4	023174	P2B-K-112R	20	1-3/4	023196	P2B-K-112RE	20
1-15/16	023175	P2B-K-115R	19	1-15/16	023197	P2B-K-115RE	19
2	023176	P2B-K-200R	19	2	023198	P2B-K-200RE	19
2-3/16	023177	P2B-K-203R	24	2-3/16	023199	P2B-K-203RE	24
2-1/4	023178	P2B-K-204R	28	2-1/4	023200	P2B-K-204RE	28
2-7/16	023179	P2B-K-207R	28	2-7/16	023201	P2B-K-207RE	28
2-1/2	023180	P2B-K-208R	28	2-1/2	023200	P2B-K-208RE	28
2-11/16	023181	P2B-K-211R	40	2-11/16	023203	P2B-K-211RE	40
2-3/4	023182	P2B-K-212R	40	2-3/4	023204	P2B-K-212RE	40
2-15/16	023183	P2B-K-215R	39	2-15/16	023205	P2B-K-215RE	39
3	023184	P2B-K-300R	39	3	023206	P2B-K-300RE	39
3-7/16	023186	P2B-K-307R	67	3-7/16	023208	P2B-K-307RE	67
3-1/2	023187	P2B-K-308R	66	3-1/2	023209	P2B-K-308RE	66
3-15/16 ▲	023188	P4B-K-315R	106	3-15/16 ▲	023210	P4B-K-315RE	106

Non-Expansion Furnished Unless Otherwise Specified

Consult DODGE For Sizes Not Listed

Consult DODGE For Sizes Not Listed

Shaft Size Inches	A	B	C	D		F Bolt Dia	G	H	J	L	M	P	R	S	Exp*
				Min.	Max.										
1-3/16	2.28	7.50	1.88	6.00	6.38	3/8	0.69	1.00	4.53	2.25	2.13	5.00	1.00	1.38	3/32
1-1/4				6.00	6.38										
1-3/8	2.55	8.00	2.19	6.25	6.63	1/2	0.75	1.25	5.23	2.75	2.38	5.52	1.03	1.50	3/32
1-7/16				6.25	6.63										
1-1/2	2.83	9.00	2.38	6.88	7.63	1/2	1.00	1.38	5.75	3.19	2.63	5.81	1.56	1.69	3/32
1-5/8				6.88	7.63										
1-11/16	2.95	10.00	2.53	7.38	8.44	5/8	1.30	1.50	6.27	3.44	2.88	6.36	1.20	1.75	9/32
1-3/4				7.38	8.44										
1-15/16	3.16	11.00	2.66	8.06	9.25	5/8	1.33	1.50	6.52	3.75	3.00	6.95	1.25	1.88	9/32
2				8.06	9.25										
2-3/16	3.34	12.00	2.81	9.25	10.25	5/8	1.27	1.75	7.03	4.06	3.25	7.38	1.31	2.00	9/32
2-1/4				9.25	10.25										
2-7/16	3.78	13.44	2.94	9.88	11.50	3/4	1.69	2.00	7.92	4.72	3.75	8.31	1.44	2.25	9/32
2-1/2				9.88	11.50										
2-11/16	4.27	16.00	3.44	12.81	13.81	7/8	1.50	2.25	9.42	5.50	4.50	10.09	1.69	2.50	9/32
2-3/4				12.81	13.81										
2-15/16	5.41	17.44	4.75	13.13	14.75	3/4	1.70	2.75	10.42	6.00	5.00	10.70	2.13	3.13	11/32
3				13.13	14.75										
3-3/16	5.41	17.44	4.75	13.13	14.75	3/4	1.70	2.75	10.42	6.00	5.00	10.70	2.13	3.13	11/32
3-7/16				13.13	14.75										
3-1/2	5.41	17.44	4.75	13.13	14.75	3/4	1.70	2.75	10.42	6.00	5.00	10.70	2.13	3.13	11/32

*Exp-Total Expansion Divided Equally On Both Sides Of Bearing (Expansion Bearings Only)

NOTE: All sizes use a 1/8-27 NPT hydraulic grease fitting

▲ 4-Bolt Base (See Page For Bolts Spacing)

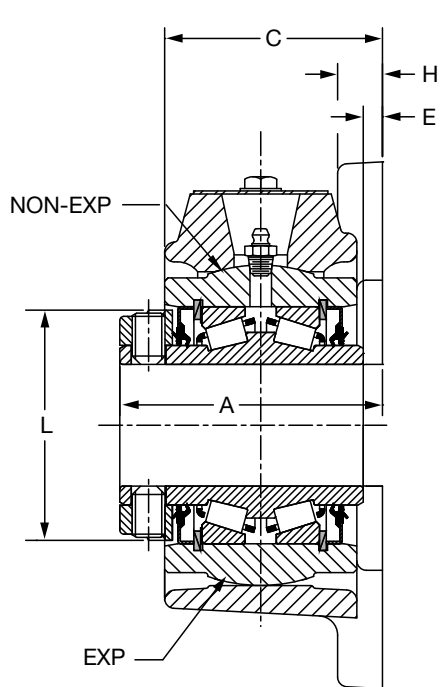
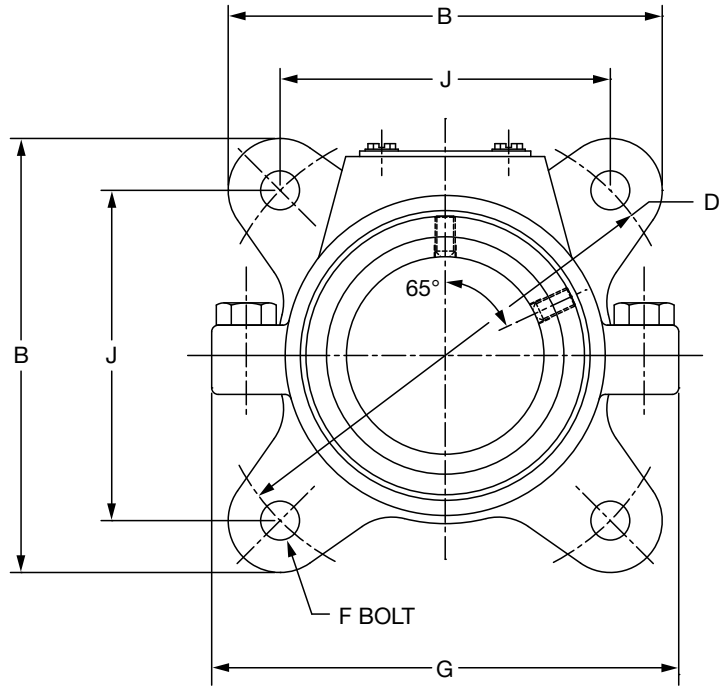
Dowel Hole Locations For Precision Positioning - See Page -

FEATURES/BENEFITS PAGE B10-2	HOW TO ORDER/NOMENCLATURE PAGE B10-9	EASY SELECTION PAGE B10-15	ACCESSORIES PAGE B10-64
---------------------------------	---	-------------------------------	----------------------------

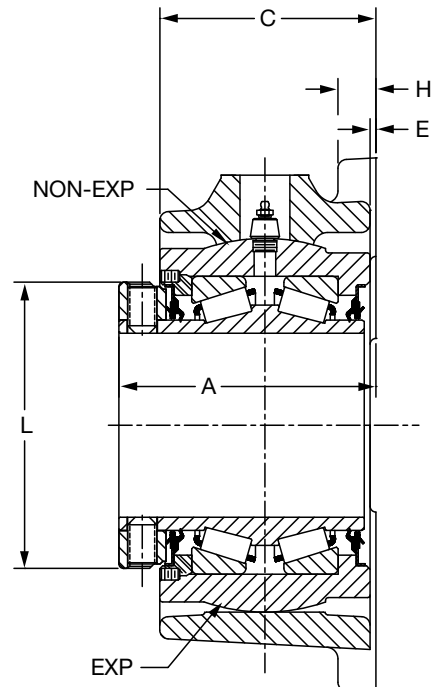
SELECTION/DIMENSIONS



Type K Flange Bearing - Inch



1-3/16" THRU 3" INTERNAL CONSTRUCTION



3-3/16" THRU 3-15/16" INTERNAL CONSTRUCTION

FEATURES/BENEFITS PAGE B10-2	HOW TO ORDER/NOMENCLATURE PAGE B10-9	EASY SELECTION PAGE B10-15	ACCESSORIES PAGE B10-64
---------------------------------	---	-------------------------------	----------------------------

SELECTION/DIMENSIONS



Type K Flange Bearing - Inch

DUCTILE Iron - Non-Expansion				DUCTILE Iron - Expansion			
Shaft Size Inches #	Part Number	Part Name	Weight Lbs (Approx)	Shaft Size Inches #	Part Number	Part Name	Weight Lbs (Approx)
1-1/4	023212	F4B-K-104R	6	1-1/4	023234	F4B-K-104RE	6
1-7/16	023214	F4B-K-107R	7	1-7/16	023236	F4B-K-107RE	7
1-1/2	023215	F4B-K-108R	12	1-1/2	023237	F4B-K-108RE	12
1-15/16	023219	F4B-K-115R	14	1-15/16	023241	F4B-K-115RE	14
2	023220	F4B-K-200R	14	2	023242	F4B-K-200RE	14
2-3/16	023221	F4B-K-203R	17	2-3/16	023243	F4B-K-203RE	17
2-7/16	023223	F4B-K-207R	20	2-7/16	023245	F4B-K-207RE	20
2-1/2	023224	F4B-K-208R	20	2-1/2	023246	F4B-K-208RE	20
2-15/16	023227	F4B-K-215R	24	2-15/16	023249	F4B-K-215RE	24
3	023228	F4B-K-300R	24	3	023250	F4B-K-300RE	24
3-7/16	023230	F4B-K-307R	45	3-7/16	023252	F4B-K-307RE	45
3-15/16	023232	F4B-K-315R	72	3-15/16	023254	F4B-K-315RE	72

Non-Expansion Furnished Unless Otherwise Specified

Consult DODGE For Sizes Not Listed.

Consult DODGE For Sizes Not Listed.

Shaft Size Inches	A	B	C	D	E	F Bolt Dia.	G	H	J	L	Exp*
1-3/16 1-1/4	2.56	5.19	2.13	5.66	0.19	3/8	5.25	0.44	4.00	2.25	9/32
1-3/8 1-7/16	2.69	5.75	2.13	6.25	0.16	1/2	5.75	0.50	4.42	2.75	3/16
1-1/2 1-5/8 1-11/16	3.00	6.13	2.44	6.75	0.16	1/2	6.75	0.50	4.78	3.19	3/16
1-3/4 1-15/16 2	3.13	6.88	2.56	7.50	0.16	5/8	7.25	0.56	5.31	3.44	3/16
2-3/16 2-1/4 2-7/16 2-1/2	3.31	7.19	2.72	8.00	0.16	5/8	7.81	0.56	5.66	3.75	3/16
2-11/16 2-3/4 2-15/16 3	4.00	8.88	3.34	9.75	0.25	3/4	9.50	0.69	6.89	4.72	5/16
3-3/16 3-7/16 3-1/2	4.50	10.25	3.72	11.50	0.25	7/8	11.38	0.75	8.13	5.50	5/16
3-15/16	5.50	11.44	4.63	13.00	0.13	1	12.88	0.81	9.19	6.00	5/16

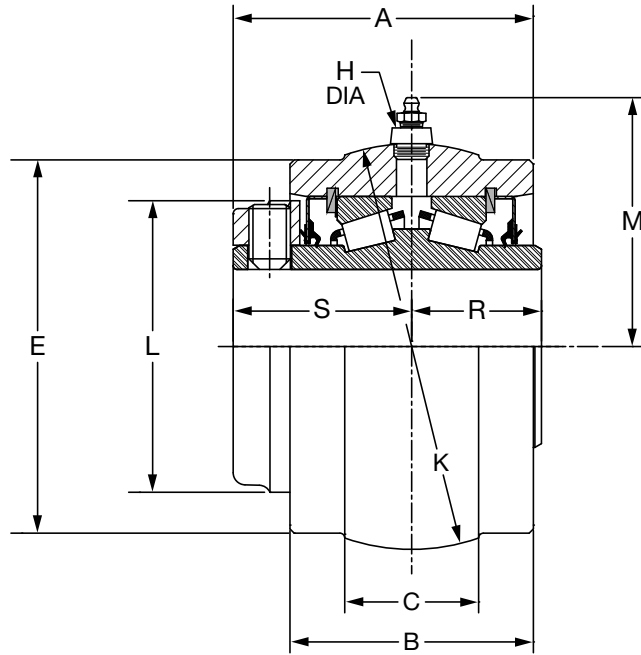
* ExpTotal Expansion Divided Equally On Both Sides Of Bearing (Expansion Bearings Only)

NOTE: All sizes use a 1/8-27 NPT hydraulic grease fitting

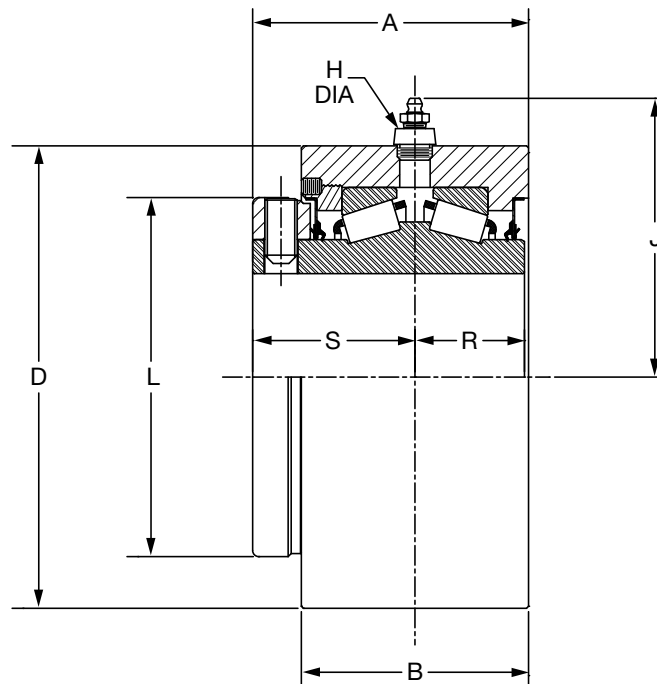
FEATURES/BENEFITS PAGE B10-2	HOW TO ORDER/NOMENCLATURE PAGE B10-9	EASY SELECTION PAGE B10-15	ACCESSORIES PAGE B10-64
---------------------------------	---	-------------------------------	----------------------------



Type K Units - Inch



S-1 UNIT
1-3/16" THRU 3" CONSTRUCTION



B-1 UNIT
3-3/16" THRU 3-15/16" CONSTRUCTION

FEATURES/BENEFITS PAGE B10-2	HOW TO ORDER/NOMENCLATURE PAGE B10-9	EASY SELECTION PAGE B10-15	ACCESSORIES PAGE B10-64
---------------------------------	---	-------------------------------	----------------------------

SELECTION/DIMENSIONS



Type K Units - Inch

Type S-1 Units -- Gray Iron				Type B-1 Units -- Gray Iron			
Shaft Size Inches #	Part Number	Part Name	Weight Lbs (Approx)	Shaft Size Inches #	Part Number	Part Name	Weight Lbs (Approx)
1-3/16	023271	S1U-K-103R	3	1-3/16	-----	B1U-K-103R	3
1-1/4	023272	S1U-K-104R	3	1-1/4	-----	B1U-K-104R	3
1-3/8	023273	S1U-K-106R	4	1-3/8	023293	B1U-K-106R	4
1-7/16	023274	S1U-K-107R	4	1-7/16	023294	B1U-K-107R	4
1-1/2	023275	S1U-K-108R	5	1-1/2	023295	B1U-K-108R	5
1-5/8	023276	S1U-K-110R	5	1-5/8	023296	B1U-K-110R	5
1-11/16	023277	S1U-K-111R	5	1-11/16	023297	B1U-K-111R	5
1-3/4	023278	S1U-K-112R	7	1-3/4	023298	B1U-K-112R	7
1-15/16	023279	S1U-K-115R	7	1-15/16	023299	B1U-K-115R	7
2	023280	S1U-K-200R	7	2	023300	B1U-K-200R	7
2-3/16	023281	S1U-K-203R	9	2-3/16	023301	B1U-K-203R	9
2-1/4	023282	S1U-K-204R	11	2-1/4	023302	B1U-K-204R	11
2-7/16	023283	S1U-K-207R	11	2-7/16	023303	B1U-K-207R	11
2-1/2	023284	S1U-K-208R	11	2-1/2	023304	B1U-K-208R	11
2-11/16	023285	S1U-K-211R	15	2-11/16	023305	B1U-K-211R	15
2-3/4	023286	S1U-K-212R	15	2-3/4	023306	B1U-K-212R	15
2-15/16	023287	S1U-K-215R	15	2-15/16	023307	B1U-K-215R	15
3	023288	S1U-K-300R	15	3	023308	B1U-K-300R	15
3-3/16	023289	S1U-K-303R	28	3-3/16	023309	B1U-K-303R	28
3-7/16	023290	S1U-K-307R	28	3-7/16	023310	B1U-K-307R	28
3-1/2	023291	S1U-K-308R	28	3-1/2	023311	B1U-K-308R	28
3-15/16	023292	S1U-K-315R	40	3-15/16	023312	B1U-K-315R	40

Consult DODGE For Sizes Not Listed.

Consult DODGE For Sizes Not Listed.

Shaft Size Inches	A	B	C	D *	E%		H	J	K **	L	M	R	S
					Machine Side	Cast Side							
1-3/16	2.31	1.88	1.03	----	2.81	3.13	0.44	----	3.125	2.25	2.03	1.00	1.38
1-1/4					2.81	3.13							
1-3/8	2.53	2.06	1.16	3.438	3.25	3.31	0.69	2.63	3.625	2.75	2.63	1.03	1.50
1-7/16					3.25	3.31							
1-1/2	2.84	2.31	1.19	3.948	3.75	3.81	0.69	2.88	4.125	3.19	2.81	1.16	1.69
1-5/8					3.75	3.81							
1-11/16	2.97	2.44	1.50	4.250	4.13	4.19	0.69	3.00	4.562	3.44	3.06	1.20	1.75
1-3/4					4.13	4.19							
1-15/16	3.16	2.56	1.56	4.625	4.50	4.56	0.69	3.25	5.000	3.75	3.25	1.25	1.88
2					4.50	4.56							
2-3/16	3.38	2.75	1.44	5.000	4.81	4.88	0.69	3.44	5.186	4.06	3.38	1.31	2.00
2-1/4					4.81	4.88							
2-7/16	3.75	3.00	1.88	5.875	5.56	5.63	0.69	3.88	6.061	4.72	3.81	1.44	2.25
2-1/2					5.56	5.63							
2-11/16	4.25	3.50	2.00	7.125	6.81	6.88	0.69	4.50	7.373	5.50	4.50	1.69	2.50
2-3/4					6.81	6.88							
2-15/16	5.38	4.50	2.38	7.875	7.44	7.50	0.94	5.50	7.997	6.00	5.16	2.13	3.13
3					7.44	7.50							
3-3/16	5.38	4.50	2.38	7.875	7.44	7.50	0.94	5.50	7.997	6.00	5.16	2.13	3.13
3-7/16					7.44	7.50							
3-1/2	5.38	4.50	2.38	7.875	7.44	7.50	0.94	5.50	7.997	6.00	5.16	2.13	3.13

* +.000 -.002,"

% Machined side of unit is on collar side only.

NOTE: All sizes use a 1/8-27 NPT hydraulic grease fitting

** +.000 -.001 Sizes 1-3/16 THRU 3,"

±.0005, Sizes 3-3/16 THRU 3-15/16,"

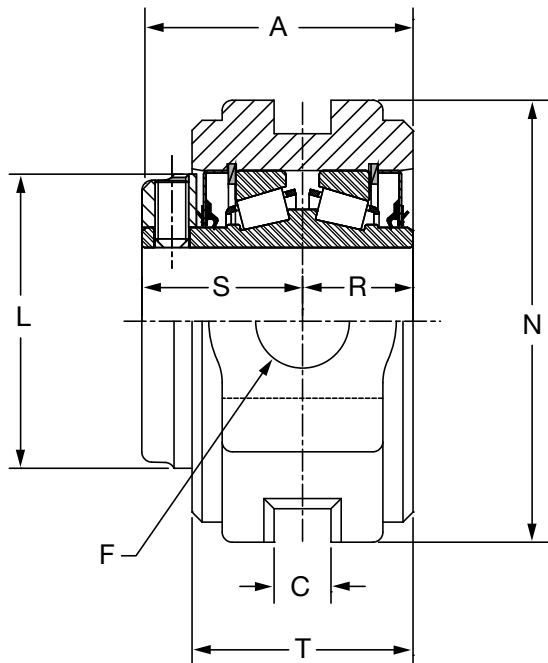
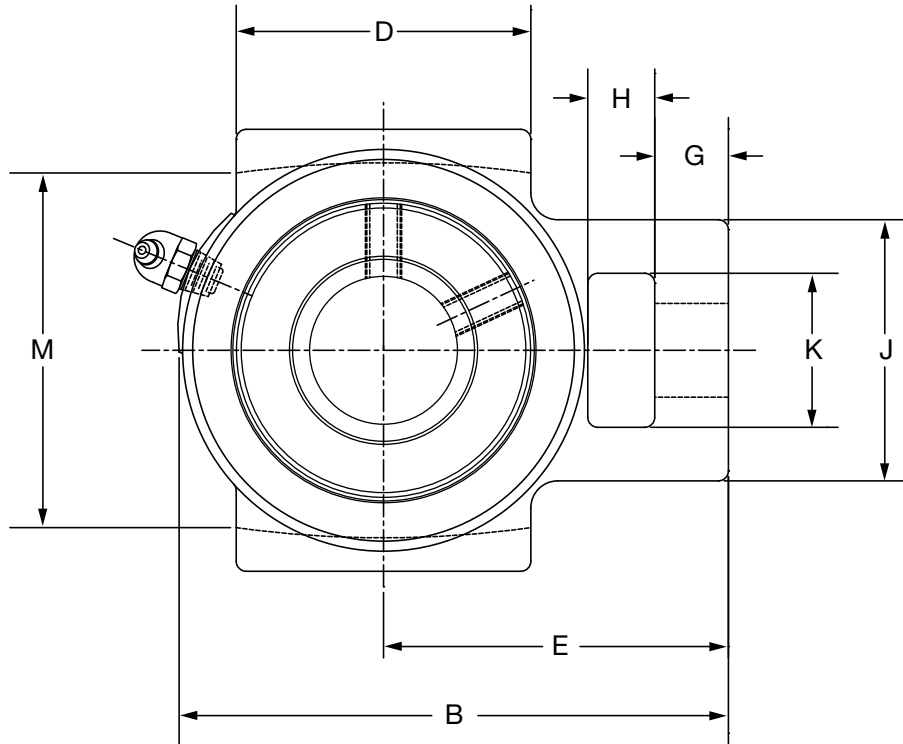
ALL DIMENSIONS SHOWN IN Inches

FEATURES/BENEFITS PAGE B10-2	HOW TO ORDER/NOMENCLATURE PAGE B10-9	EASY SELECTION PAGE B10-15	ACCESSORIES PAGE B10-64
---------------------------------	---	-------------------------------	----------------------------

SELECTION/DIMENSIONS



Type K Wide Slot Take-Up Unit - Inch



1-3/8" THRU 3" CONSTRUCTION

<p>FEATURES/BENEFITS PAGE B10-2</p>	<p>HOW TO ORDER/NOMENCLATURE PAGE B10-9</p>	<p>EASY SELECTION PAGE B10-15</p>	<p>ACCESSORIES PAGE B10-64</p>
---	---	---------------------------------------	------------------------------------

SELECTION/DIMENSIONS



Type K Wide Slot Take-Up Unit - Inch

Gray Iron				
Shaft Size Inches #	Part Number	Part Name	Weight Lbs (Approx)	CP FRAME Size
1-7/16	023256	WSTU-K-107R	8	CP308
1-15/16	023261	WSTU-K-115R	11	CP400
2-3/16	023263	WSTU-K-203R	15	CP408
2-7/16	023265	WSTU-K-207R	20	CP502
2-1/2	023266	WSTU-K-208R	20	
2-15/16	023269	WSTU-K-215R	28	CP515
3	023270	WSTU-K-300R	28	

Consult DODGE For Sizes Not Listed.

Shaft Size Inches	A	B	C	D	E	F Screw Dia	G	H	J	K	L	M	N	R	S	T
1-7/16	2.53	5.09	0.53	2.75	3.22	3/4	0.69	0.63	2.44	1.44	2.75	3.50	4.13	1.03	1.50	2.06
1-15/16	2.97	6.31	0.69	3.75	3.94	1	0.94	0.75	3.31	1.94	3.44	4.00	4.75	1.20	1.75	2.44
2-3/16	3.16	7.13	0.81	3.75	4.63	1-1/8	1.00	1.25	3.88	2.25	3.75	4.50	5.25	1.25	1.88	2.56
2-7/16	3.38	7.891	1.06	4.50	5.06	1-1/2	1.06	1.25	4.25	2.50	4.06	5.13	6.00	1.31	2.00	2.75
2-1/2																
2-15/16 3	3.75	9.13	1.81	4.75	5.88	1-1/2	1.38	1.50	4.88	2.75	4.72	5.94	6.75	1.44	2.25	3.00

NOTE: All sizes use a 1/8-27 NPT hydraulic grease fitting

Bearing Reference Guide

E-Family Roller Bearings

Specialty Tapered Products

S-2000

UNISPHERE II

IMPERIAL

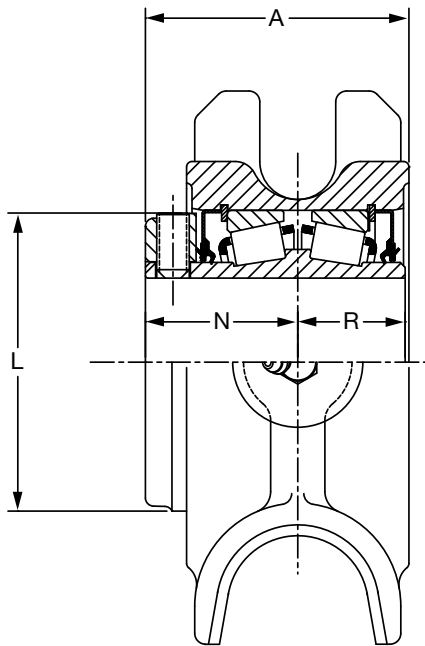
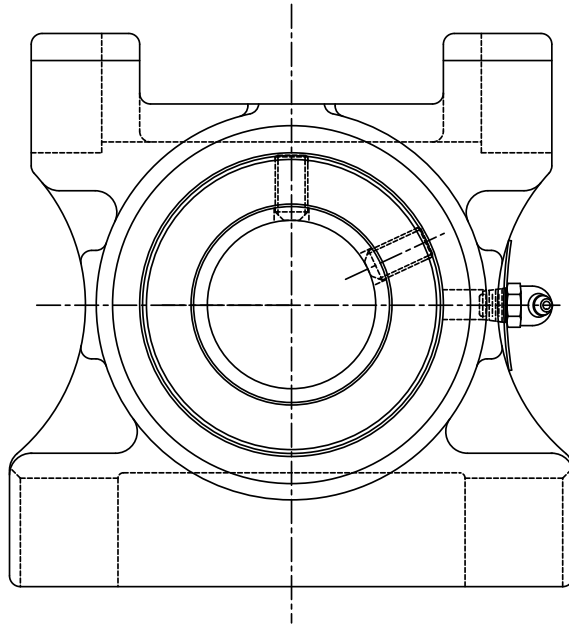
UNIFIED SAF

FEATURES/BENEFITS PAGE B10-2	HOW TO ORDER/NOMENCLATURE PAGE B10-9	EASY SELECTION PAGE B10-15	ACCESSORIES PAGE B10-64
---------------------------------	---	-------------------------------	----------------------------

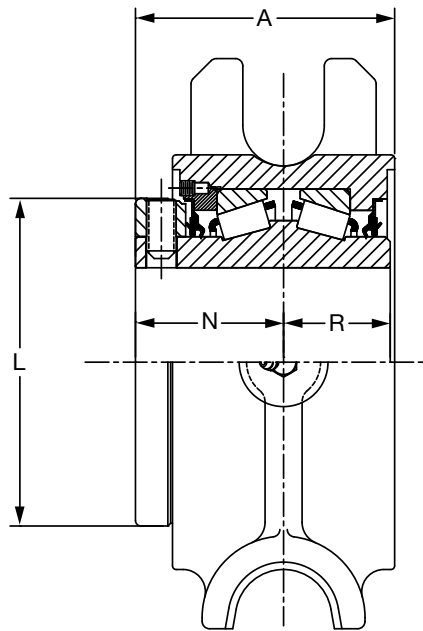
SELECTION/DIMENSIONS



Type K TP Take-Up Bearing - Inch



1-3/16" THRU 3" INTERNAL CONSTRUCTION



3-3/16" THRU 3-15/16" INTERNAL CONSTRUCTION

FEATURES/BENEFITS PAGE B10-2	HOW TO ORDER/NOMENCLATURE PAGE B10-9	EASY SELECTION PAGE B10-15	ACCESSORIES PAGE B10-64
---------------------------------	---	-------------------------------	----------------------------

SELECTION/DIMENSIONS



Type K TP Take-Up Bearing - Inch

Gray Iron			
Shaft Size Inches #	Part Number	Part Name	Weight Lbs (Approx)
1-15/16	023314	TP-K-115R	13
2-3/16	023316	TP-K-203R	16
2-7/16	023318	TP-K-207R	20
2-15/16	023322	TP-K-215R	27
3-7/16	023325	TP-K-307R	40
3-15/16	023327	TP-K-315R	59

Consult DODGE For Sizes Not Listed.

Shaft Size Inches	Frame Size Ref.	A	L	N	R
1-15/16	TP10	3.03	3.44	1.75	1.22
2-3/16	TP20	3.19	3.75	1.88	1.25
2-7/16	TP30	3.50	4.06	2.00	1.31
2-15/16	TP40	3.75	4.72	2.25	1.44
3-7/16	TP50	4.28	5.50	2.41	1.78
3-15/16	TP60	5.50	6.00	3.13	2.13

NOTE: All sizes use a 1/8-27 NPT hydraulic grease fitting

Bearing Reference Guide

E-Family Roller Bearings

Specialty Tapered Products

S-2000

UNISPHERE II

IMPERIAL

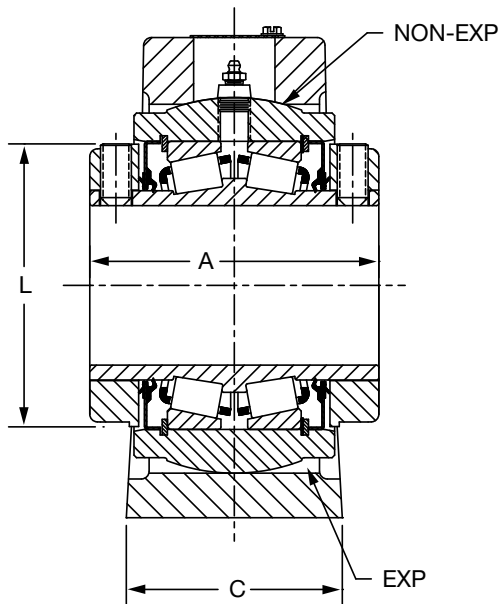
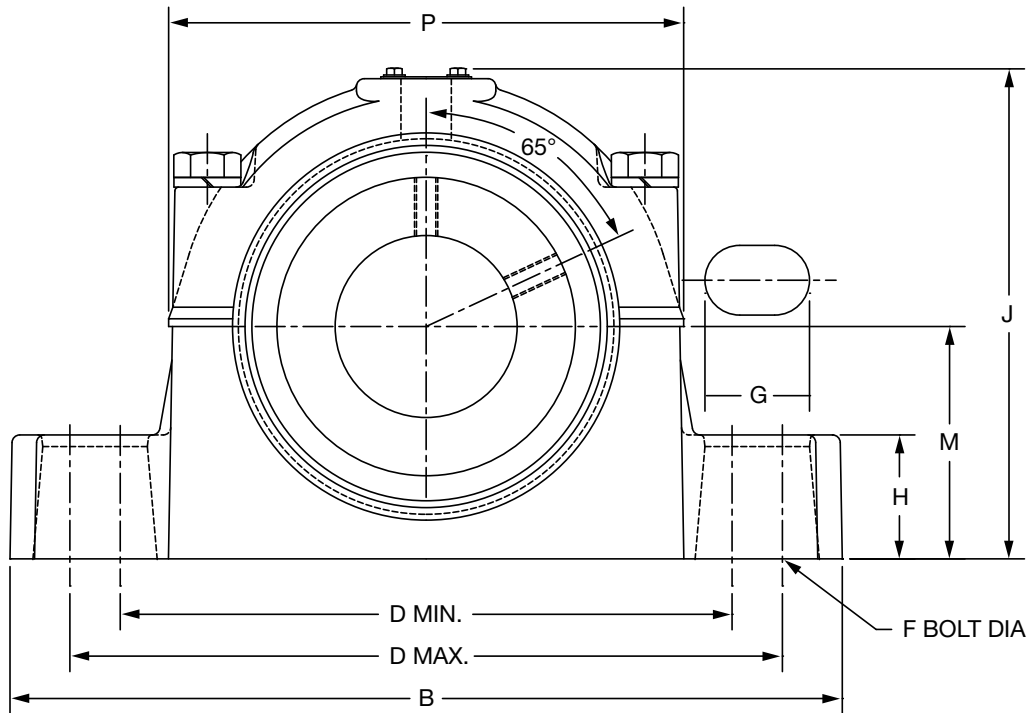
UNIFIED SAF

FEATURES/BENEFITS PAGE B10-2	HOW TO ORDER/NOMENCLATURE PAGE B10-9	EASY SELECTION PAGE B10-15	ACCESSORIES PAGE B10-64
---------------------------------	---	-------------------------------	----------------------------

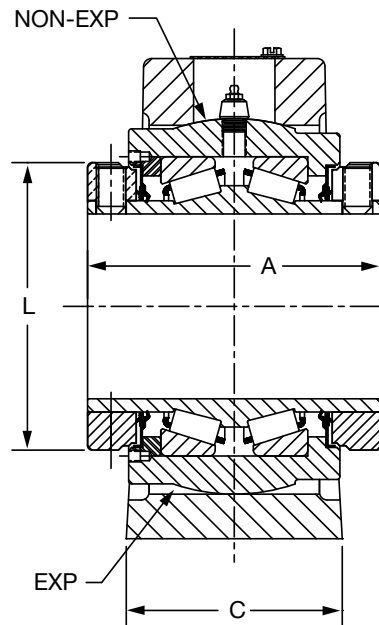
SELECTION/DIMENSIONS



DOUBLE-INTERLOCK Pillow Block - Inch 2-BOLT BASE



1-3/16" THRU 3" CONSTRUCTION



3-3/16" THRU 3-1/2" CONSTRUCTION

FEATURES/BENEFITS PAGE B10-2	HOW TO ORDER/NOMENCLATURE PAGE B10-9	EASY SELECTION PAGE B10-15	ACCESSORIES PAGE B10-64
---------------------------------	---	-------------------------------	----------------------------

SELECTION/DIMENSIONS



DOUBLE-INTERLOCK Pillow Block - Inch 2-BOLT BASE

Gray Iron Non-Expansion						Gray Iron Expansion					
Shaft Size Inches#	Shaft Size Symbol	Pillow Block Assy	Housing Only	Bearing Inner Unit	PIL. BLK. Wt., Aprx Lbs	Shaft Size Inches#	Shaft Size Symbol	Pillow Block Assy	Housing Only	Bearing Inner Unit	PIL. BLK. Wt., Aprx Lbs
1-1/4	104	023329	056130	023508	9	1-1/4	104	023376	056100	023508	9
1-3/8	106	023330	056132	023509	11	1-3/8	106	023377	056102	023509	11
1-7/16	107	023331	056132	023510	11	1-7/16	107	023378	056102	023510	11
1-1/2	108	023332	056134	023511	15	1-1/2	108	023379	056104	023511	15
1-5/8	110	023333	056134	023512	15	1-5/8	110	023380	056104	023512	15
1-11/16	111	023334	056134	023513	15	1-11/16	111	023381	056104	023513	15
1-3/4	112	023335	056136	023514	18	1-3/4	112	023382	056106	023514	18
1-15/16	115	023337	056136	023516	17	1-15/16	115	023384	056106	023516	17
2	200	023338	056136	023517	17	2	200	023385	056106	023517	17
2-3/16	203	023339	056138	023518	25	2-3/16	203	023386	056108	023518	22
2-1/4	204	023340	056140	023519	29	2-1/4	204	023387	056110	023519	29
2-7/16	207	023341	056140	023520	26	2-7/16	207	023388	056110	023520	26
2-1/2	208	023342	056140	023521	26	2-1/2	208	023389	056110	023521	26
2-11/16	211	023343	056142	023522	41	2-11/16	211	023390	056112	023522	42
2-3/4	212	023344	056142	023523	41	2-3/4	212	023391	056112	023523	42
2-15/16	215	023345	056142	023524	40	2-15/16	215	023392	056112	023524	41
3	300	023346	056142	023525	40	3	300	023393	056112	023525	41
3-3/16	303	023347	056144	023526	67	3-3/16	303	023394	056114	023526	69
3-7/16	307	023349	056144	023528	66	3-7/16	307	023396	056114	023528	68
3-1/2	308	023350	056144	023529	66	3-1/2	308	023397	056114	023529	68

Description = P2B-DI-207R For 2-7/16" Size

Description = P2B-DI-207RE For 2-7/16" Size

Consult DODGE For Sizes Not Listed.

Consult DODGE For Sizes Not Listed.

Non-Expansion Furnished Unless Otherwise Specified

Shaft Size Inches	A	B	C	D		F Bolt Dia.	G	H	J	L	M	P	Exp*
				Min.	Max.								
1-1/4	2.75	7.50	1.88	6.00	6.38	3/8	0.67	1.00	4.53	2.25	2.13	5.00	3/32
1-3/8	3.00	8.00	2.19	6.25	6.63	1/2	0.75	1.25	5.23	2.75	2.38	5.52	3/32
1-7/16													
1-1/2	3.38	9.00	2.38	6.88	7.63	1/2	1.00	1.38	5.75	3.19	2.63	5.81	3/32
1-5/8													
1-11/16													
1-3/4	3.50	10.00	2.53	7.38	8.44	5/8	1.30	1.50	6.27	3.44	2.88	6.36	9/32
1-15/16													
2													
2-3/16													
2-1/4	4.00	12.00	2.81	9.27	10.25	5/8	1.27	1.75	7.03	4.06	3.25	7.38	9/32
2-7/16													
2-1/2													
2-11/16	4.50	13.44	2.94	9.88	11.50	3/4	1.69	2.00	7.92	4.72	3.75	8.31	9/32
2-3/4													
2-15/16													
3													
3-3/16	5.00	16.00	3.44	12.81	13.81	7/8	1.50	2.25	9.42	5.50	4.50	10.09	9/32
3-7/16													
3-1/2													

* EXP - Total Expansion Divided Equally On Both Sides Of Bearing (Expansion Bearings Only)

NOTE: All sizes use a 1/8-27 NPT hydraulic grease fitting

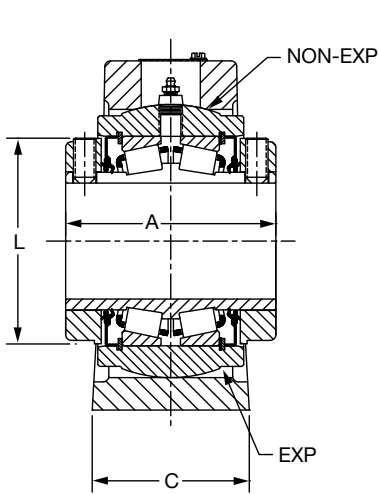
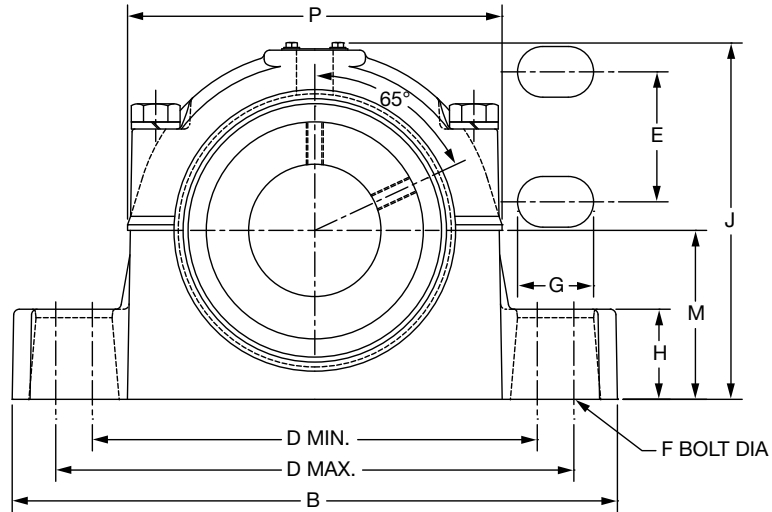
Dowel Hole Locations For Precision Positioning - See Page -

FEATURES/BENEFITS PAGE B10-2	HOW TO ORDER/NOMENCLATURE PAGE B10-9	EASY SELECTION PAGE B10-15	ACCESSORIES PAGE B10-64
---------------------------------	---	-------------------------------	----------------------------

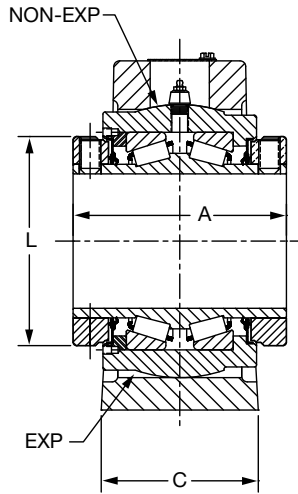
SELECTION/DIMENSIONS



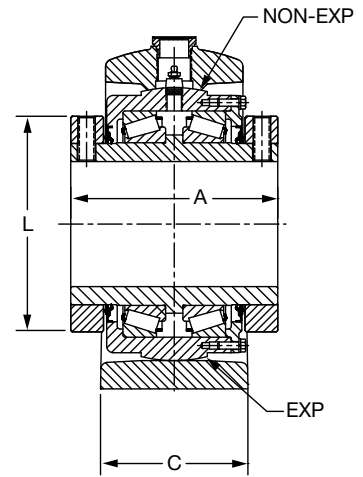
DOUBLE-INTERLOCK Pillow Block - Inch 4-BOLT BASE



2-1/4" THRU 3" CONSTRUCTION



3-3/16" THRU 5" CONSTRUCTION



5-7/16" THRU 7" CONSTRUCTION

FEATURES/BENEFITS PAGE B10-2	HOW TO ORDER/NOMENCLATURE PAGE B10-9	EASY SELECTION PAGE B10-15	ACCESSORIES PAGE B10-64
---------------------------------	---	-------------------------------	----------------------------

SELECTION/DIMENSIONS



DOUBLE-INTERLOCK Pillow Block - Inch 4-BOLT BASE

Gray Iron NON EXPANSION						Gray Iron EXPANSION					
Shaft Size Inches#	Shaft Size Symbol	Pillow Block ASSY	Housing Only	Bearing Inner Unit	PIL. BLK. WT., Aprx Lbs	Shaft Size Inches#	Shaft Size Symbol	Pillow Block ASSY	Housing Only	Bearing Inner Unit	PIL. BLK. WT., Aprx Lbs
2-7/16	207	023352	060745	023520	28	2-7/16	207	023399	060746	023520	28
2-1/2	208	023353	060745	023521	28	2-1/2	208	023400	060746	023521	28
2-11/16	211	023354	060747	023522	38	2-11/16	211	023401	060748	023522	38
2-15/16	215	023356	060747	023524	38	2-15/16	215	023403	060748	023524	38
3	300	023357	060747	023525	38	3	300	023404	060748	023525	38
3-7/16	307	023360	060749	023528	69	3-7/16	307	023407	060750	023528	69
3-1/2	308	023361	060749	023529	69	3-1/2	308	023408	060750	023529	69
3-15/16	315	023362	060751	023530	109	3-15/16	315	023409	060752	023530	110
4	400	023363	060751	023531	109	4	400	023410	060752	023531	110
4-7/16	407	023364	060753	023532	139	4-7/16	407	023411	060754	023532	139
4-1/2	408	023365	060753	023533	135	4-1/2	408	023412	060754	023533	135
4-15/16	415	023366	060755	023534	183	4-15/16	415	023413	060756	023534	181
5	500	023367	060755	023535	181	5	500	023414	060756	023535	179
5-7/16	507	023368	060579	023536	310	5-7/16	507	023415	060578	023536	310
5-15/16	515	023369	060579	023537	299	5-15/16	515	023416	060578	023537	299

Non-Expansion Furnished Unless Otherwise Specified

Consult DODGE For Sizes Not Listed.

Shaft Size Inches	A	B	C	D		E	F Bolt Dia	G	H	J	L	M	P	Exp*
				Min.	Max									
2-7/16 2-1/2	4.00	12.00	3.38	9.27	10.25	1.75	1/2	1.06	1.75	7.03	4.06	3.25	7.38	9/32
2-11/16 2-15/16 3	4.50	13.44	3.50	9.88	11.50	1.88	5/8	1.56	2.00	7.92	4.72	3.75	8.31	9/32
3-7/16 3-1/2	5.00	16.00	4.00	12.81	13.81	2.00	3/4	1.45	2.25	9.42	5.50	4.50	10.09	9/32
3-15/16 4	6.25	17.44	4.75	13.13	14.75	2.00	3/4	1.70	2.75	10.42	6.00	5.00	10.70	11/32
4-7/16 4-1/2	6.75	19.00	4.63	14.38	16.25	2.25	3/4	1.81	3.00	11.59	6.45	5.75	12.45	11/32
4-15/16 5	7.25	20.50	5.13	15.50	18.06	2.50	7/8	2.28	3.25	12.83	7.45	6.25	13.36	11/32
5-7/16 5-15/16	9.00	23.69	6.25	19.00	20.63	3.00	1	1.94	3.50	14.59	9.38	7.13	15.13	1/2

*EXP - Total Expansion Divided Equally On Both Sides Of Bearing (Expansion Bearings Only)

NOTE: All sizes use a 1/8-27 NPT hydraulic grease fitting

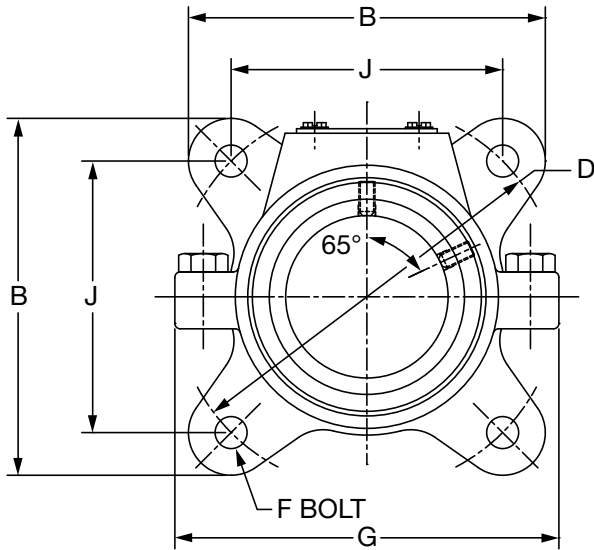
Dowel Hole Locations For Precision Positioning - See Page -

FEATURES/BENEFITS PAGE B10-2	HOW TO ORDER/NOMENCLATURE PAGE B10-9	EASY SELECTION PAGE B10-15	ACCESSORIES PAGE B10-64
---------------------------------	---	-------------------------------	----------------------------

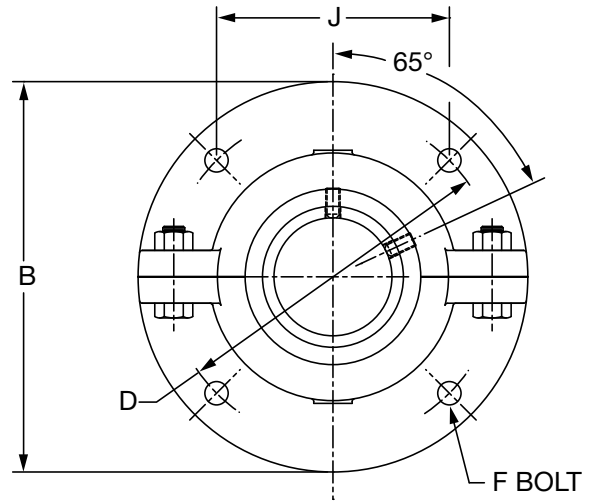
SELECTION/DIMENSIONS



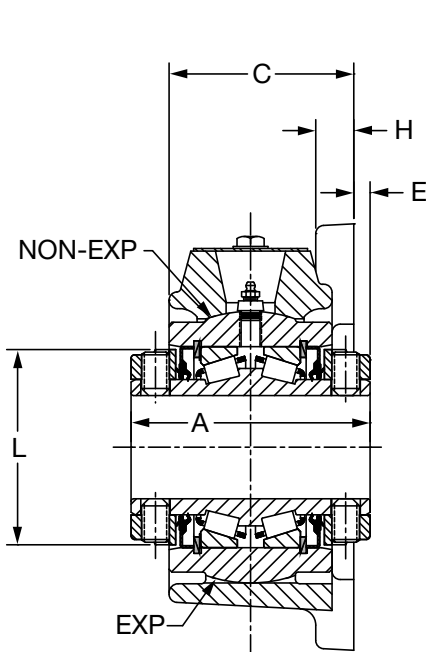
DOUBLE-INTERLOCK Flange Bearing - Inch



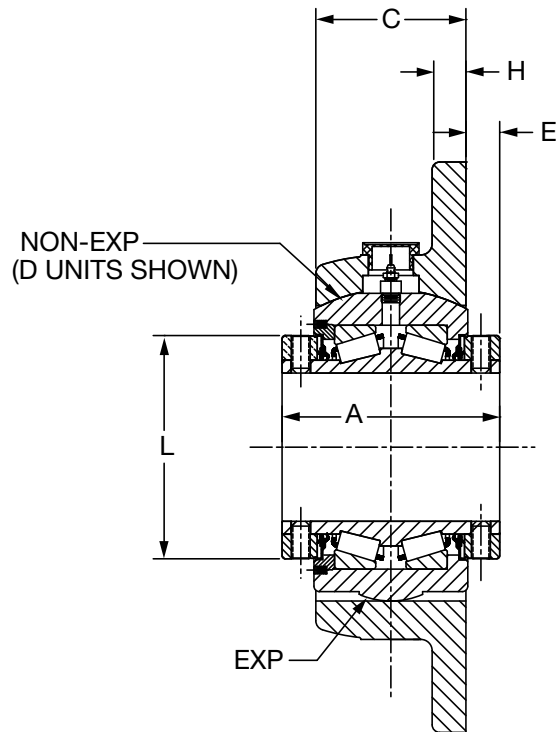
1-3/16" THRU 4" EXTERNAL CONSTRUCTION



4-7/16" THRU 5" EXTERNAL CONSTRUCTION



1-3/16" THRU 3" INTERNAL CONSTRUCTION



3-3/16" THRU 5" INTERNAL CONSTRUCTION

FEATURES/BENEFITS PAGE B10-2	HOW TO ORDER/NOMENCLATURE PAGE B10-9	EASY SELECTION PAGE B10-15	ACCESSORIES PAGE B10-64
---------------------------------	---	-------------------------------	----------------------------

SELECTION/DIMENSIONS



DOUBLE-INTERLOCK Flange Bearing - Inch

DUCTILE Iron Non-Expansion				DUCTILE Iron Expansion			
Shaft Size Inches #	Part Number	Part Name	Weight Lbs (Approx)	Shaft Size Inches #	Part Number	Part Name	Weight Lbs (Approx)
1-7/16	023425	F4B-DI-107R	9	1-7/16	023454	F4B-DI-107RE	9
1-15/16	023431	F4B-DI-115R	15	1-15/16	023460	F4B-DI-115RE	15
2	023432	F4B-DI-200R	15	2	023461	F4B-DI-200RE	15
2-3/16	023433	F4B-DI-203R	19	2-3/16	023462	F4B-DI-203RE	19
2-7/16	023435	F4B-DI-207R	22	2-7/16	023464	F4B-DI-207RE	22
2-1/2	023436	F4B-DI-208R	22	2-1/2	023465	F4B-DI-208RE	22
2-15/16	023439	F4B-DI-215R	32	2-15/16	023468	F4B-DI-215RE	32
3	023440	F4B-DI-300R	31	3	023469	F4B-DI-300RE	31
3-7/16	023443	F4B-DI-307R	53	3-7/16	023472	F4B-DI-307RE	53
3-15/16	023445	F4B-DI-315R	82	3-15/16	023474	F4B-DI-315RE	82
4-7/16 ◊	023447	F4B-DI-407R	158	4-7/16 ◊	023476	F4B-DI-407RE	158
4-1/2 ◊	023448	F4B-DI-408R	158	4-1/2 ◊	023477	F4B-DI-408RE	158
4-15/16 ◊	023449	F4B-DI-415R	220	4-15/16 ◊	023478	F4B-DI-415RE	220

Non-Expansion Furnished Unless Otherwise Specified

Consult DODGE For Sizes Not Listed.

◊ 4-7/16" - 5" Housings Are Made Of Cast Iron

Shaft Size Inches	A	B	C	D	E	F Bolt Dia.	G	H	J	L
1-7/16	3.00	5.75	2.13	6.25	0.31	1/2	5.75	0.50	4.42	2.75
1-15/16 2	3.50	6.88	2.56	7.50	0.38	5/8	7.25	0.56	5.31	3.44
2-3/16	3.75	7.19	2.72	8.00	0.44	5/8	7.81	0.56	5.66	3.75
2-7/16 2-1/2	4.00	7.63	2.94	8.50	0.44	5/8	8.56	0.63	6.00	4.06
2-15/16 3	4.50	8.88	3.34	9.75	0.50	3/4	9.50	0.69	6.89	4.72
3-7/16	5.00	10.25	3.72	11.50	0.50	7/8	11.38	0.75	8.13	5.50
3-15/16	6.25	11.44	4.63	13.00	0.75	1	12.88	0.81	9.19	6.00
4-7/16 4-1/2	6.75	17.75	4.63	15.00	1.06	1	---	1.00	10.61	6.45
4-15/16	7.25	19.00	5.00	16.00	1.13	1-1/8	---	1.13	11.31	7.45

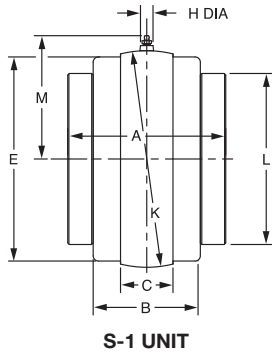
NOTE: All sizes use a 1/8-27 NPT hydraulic grease fitting

FEATURES/BENEFITS PAGE B10-2	HOW TO ORDER/NOMENCLATURE PAGE B10-9	EASY SELECTION PAGE B10-15	ACCESSORIES PAGE B10-64
---------------------------------	---	-------------------------------	----------------------------

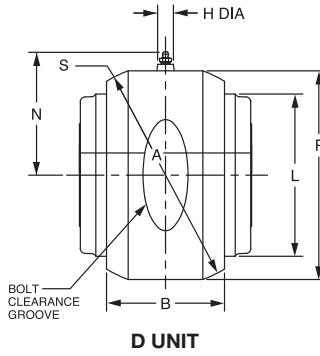
SELECTION/DIMENSIONS



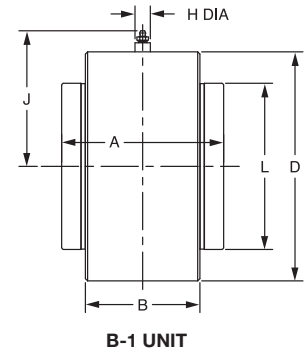
DOUBLE-INTERLOCK Units - Inch



S-1 UNIT



D UNIT



B-1 UNIT

Pillow Block

S-1 units are used in expansion and non-expansion pillow block housings

Flange

S-1 unit is used in expansion flange housings and non-expansion flange housings for 1-3/16 - 4"

Flange

D units are used in non-expansion flange housings

- 4-7/16 - 5" bore size
- Formerly used in DOUBLE-INTERLOCK non-expansion flange bearing and pillow blocks thru 5 bore size prior to '78

B-1 units can only be used in a customer manufactured housing and are often mounted in machines where bored holes can be provided. B-1 units can be used either as non-expansion or expansion bearings by providing a suitable means of locating the unit axially. B-1 units will handle slight misalignment requirements. Shaft must be supported by another unit or bearing. For mounting in rotating wheels the Type C B-1 units is preferred or consult the factory.

Shaft Size Inches	A	B	C	σ D	E		H	J	K	L	M	N	P	S
					Mach Side	Cast Side								
1-3/16	2.75	1.88	1.03	3.000	2.81	2.28	**	2.42	3.125 •	2.25	2.03	---	---	---
1-1/4														
1-3/8	3.00	2.06	1.16	3.438	3.25	3.31	11/16	2.54	3.625 •	2.75	2.64	2.88	3.63	3.844 •
1-7/16														
1-1/2	3.38	2.31	1.19	3.938	3.75	3.81	11/16	2.79	4.125 •	3.19	2.89	3.13	4.09	4.344 •
1-5/8														
1-11/16	3.50	2.44	1.50	4.250	4.13	4.19	11/16	2.95	4.562 •	3.44	3.10	3.25	4.44	4.656 •
1-3/4														
1-7/8	3.75	2.56	1.56	4.625	4.50	4.63	11/16	3.13	5.000 •	3.75	3.32	3.44	4.72	5.000 •
1-15/16														
2	4.00	2.75	1.44	5.000	4.81	4.88	11/16	3.32	5.186 •	4.06	3.41	3.58	5.16	5.437 •
2-3/16														
2-1/4	4.50	3.00	1.88	5.875	5.56	5.63	11/16	3.76	6.061 •	4.72	3.85	4.00	5.81	6.094 •
2-7/16														
2-1/2	5.00	3.50	2.00	7.125	6.81	6.88	11/16	4.38	7.373#	5.50	4.51	4.69	7.22	7.500 ^
2-11/16														
2-3/4	6.25	4.50	2.38	7.875	7.44	7.50	*	5.48	7.997#	6.00	5.16	5.13	8.13	8.375 ^
2-15/16														
3	6.75	4.63	2.38	8.750	8.31	8.38	*	5.91	8.872#	6.45	5.60	5.50	8.88	9.125 ^
3-3/16														
3-1/4	7.25	5.13	2.88	10.125	9.56	9.63	*	6.6	10.184#	7.45	6.26	6.19	10.25	10.500 ^
3-7/16														
3-1/2	9.00	6.06	2.88	---	11.19	11.19	15/16	---	11.874	9.38	7.10	---	---	---
3-15/16														
4	10.50	7.13	3.00	---	13.25	13.25	15/16	---	14.248	11.38	8.29	---	---	---
4-7/16														
4-1/2														
4-15/16														
5														
5-7/16														
5-15/16														
6														
6-7/16														
6-1/2														
6-15/16														
7														

* 11/16" DIA ON D Units; 15/16" ON S-1 Units AND 3/4 HEX ON B-1 Units

** 11/16" DIA ON B-1 Units; 7/16" DIA ON S-1 Units

• +.000 TO .001"

±.0005"

σ +.000 TO -.002"

+ .000 TO -.003"

FEATURES/BENEFITS PAGE B10-2	HOW TO ORDER/NOMENCLATURE PAGE B10-9	EASY SELECTION PAGE B10-15	ACCESSORIES PAGE B10-64
---------------------------------	---	-------------------------------	----------------------------

SELECTION/DIMENSIONS



DOUBLE-INTERLOCK Units - Inch

"S-1" Units -- Gray Iron 1-3/16" thru 3"			
Shaft Size Inches #	Part Number	Part Name	Weight Lbs (Approx)
1-3/16	023507	S1U-DI-103R	3
1-1/4	023508	S1U-DI-104R	4
1-3/8	023509	S1U-DI-106R	5
1-7/16	023510	S1U-DI-107R	5
1-1/2	023511	S1U-DI-108R	7
1-5/8	023512	S1U-DI-110R	7
1-11/16	023513	S1U-DI-111R	7
1-3/4	023514	S1U-DI-112R	8
1-7/8	023515	S1U-DI-114R	8
1-15/16	023516	S1U-DI-115R	8
2	023517	S1U-DI-200R	8
2-3/16	023518	S1U-DI-203R	10
2-1/4	023519	S1U-DI-204R	12
2-7/16	023520	S1U-DI-207R	11
2-1/2	023521	S1U-DI-208R	11
2-11/16	023522	S1U-DI-211R	18
2-3/4	023523	S1U-DI-212R	17
2-15/16	023524	S1U-DI-215R	17
3	023525	S1U-DI-300R	17

Consult DODGE For Sizes Not Listed.

"D" Units -- Gray Iron			
Shaft Size Inches #	Part Number	Part Name	Weight Lbs (Approx)
1-3/16	-----	DU-DI-103R	-----
1-1/4	-----	DU-DI-104R	-----
1-3/8	023480	DU-DI-106R	5
1-7/16	023481	DU-DI-107R	5
1-1/2	023482	DU-DI-108R	8
1-5/8	023483	DU-DI-110R	7
1-11/16	023484	DU-DI-111R	7
1-3/4	023485	DU-DI-112R	8
1-7/8	023486	DU-DI-114R	8
1-15/16	023487	DU-DI-115R	8
2	023488	DU-DI-200R	8
2-3/16	023489	DU-DI-203R	9
2-1/4	023490	DU-DI-204R	12
2-7/16	023491	DU-DI-207R	12
2-1/2	023492	DU-DI-208R	12
2-11/16	023493	DU-DI-211R	18
2-3/4	023494	DU-DI-212R	17
2-15/16	023495	DU-DI-215R	16
3	023496	DU-DI-300R	16
3-3/16	023497	DU-DI-303R	32
3-1/4	023498	DU-DI-304R	31
3-7/16	023499	DU-DI-307R	30
3-1/2	023500	DU-DI-308R	29
3-15/16	023501	DU-DI-315R	46
4	023502	DU-DI-400R	43
4-7/16	023503	DU-DI-407R	57
4 1/2	023504	DU-DI-408R	64
4-15/16	023505	DU-DI-415R	85
5	023506	DU-DI-500R	85

Consult DODGE For Sizes Not Listed.

"S-1" Units -- Gray Iron 3-3/16" thru 7"			
Shaft Size Inches #	Part Number	Part Name	Weight Lbs (Approx)
3-3/16	023526	S1U-DI-303R	34
3-1/4	023527	S1U-DI-304R	31
3-7/16	023528	S1U-DI-307R	31
3-1/2	023529	S1U-DI-308R	31
3-15/16	023530	S1U-DI-315R	43
4	023531	S1U-DI-400R	43
4-7/16	023532	S1U-DI-407R	57
4-1/2	023533	S1U-DI-408R	64
4-15/16	023534	S1U-DI-415R	82
5	023535	S1U-DI-500R	82
5-7/16	023536	S1U-DI-507R	159
5-15/16	023537	S1U-DI-515R	135
6	023538	S1U-DI-600R	128
6-7/16	023539	S1U-DI-607R	187
6-1/2	023540	S1U-DI-608R	182
6-15/16	023541	S1U-DI-615R	180
7	023542	S1U-DI-700R	178

Consult DODGE For Sizes Not Listed.

"B-1" Units -- Gray Iron			
Shaft Size Inches #	Part Number	Part Name	Weight Lbs (Approx)
1-3/16	023543	BIU-DI-103R	3
1-3/8	023545	BIU-DI-106R	5
1-7/16	023546	BIU-DI-107R	5
1-1/2	023547	BIU-DI-108R	6
1-5/8	023548	BIU-DI-110R	6
1-3/4	023550	BIU-DI-112R	8
1-15/16	023552	BIU-DI-115R	8
2	023553	BIU-DI-200R	7
2-3/16	023554	BIU-DI-203R	9
2-7/16	023556	BIU-DI-207R	12
2-1/2	023557	BIU-DI-208R	11
2-11/16	023558	BIU-DI-211R	17
2-3/4	023559	BIU-DI-212R	17
2-15/16	023560	BIU-DI-215R	17
3	023561	BIU-DI-300R	17
3-7/16	023564	BIU-DI-307R	30
3-1/2	023565	BIU-DI-308R	30
3-15/16	023566	BIU-DI-315R	45
4	023567	BIU-DI-400R	44
4-7/16	023568	BIU-DI-407R	58
4 1/2	023569	BIU-DI-408R	64
4-15/16	023570	BIU-DI-415R	87
5	023571	BIU-DI-500R	86

Consult DODGE For Sizes Not Listed.

NOTE: All sizes use a 1/8-27 NPT hydraulic grease fitting

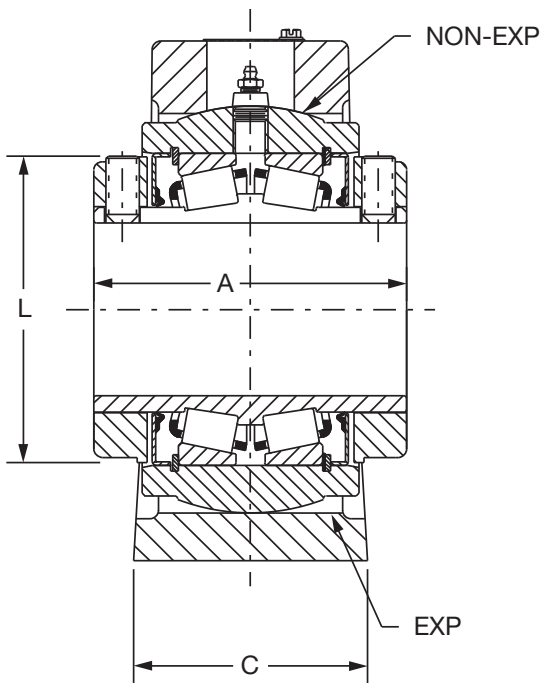
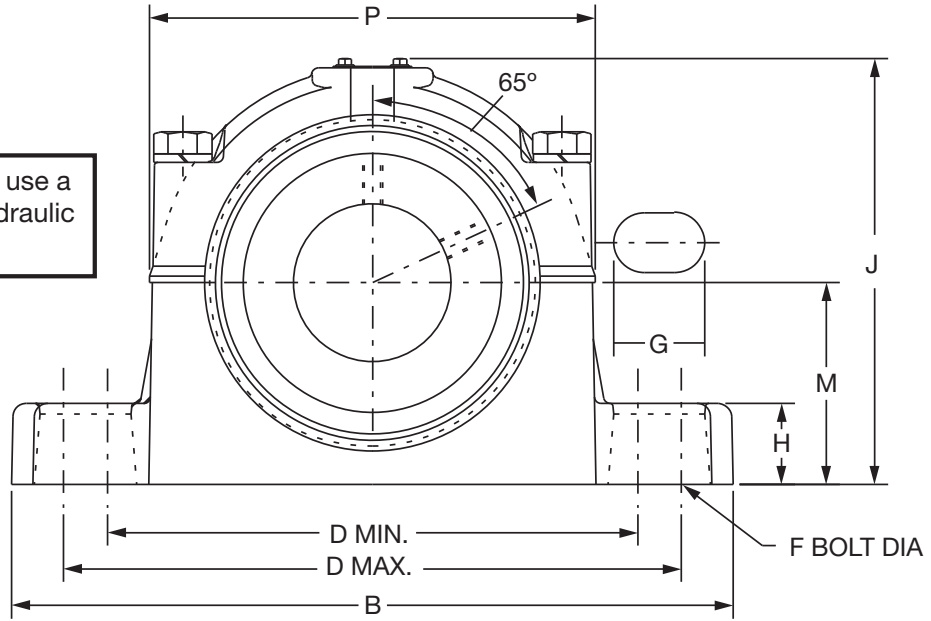
FEATURES/BENEFITS PAGE B10-2	HOW TO ORDER/NOMENCLATURE PAGE B10-9	EASY SELECTION PAGE B10-15	ACCESSORIES PAGE B10-64
---------------------------------	---	-------------------------------	----------------------------

SELECTION/DIMENSIONS

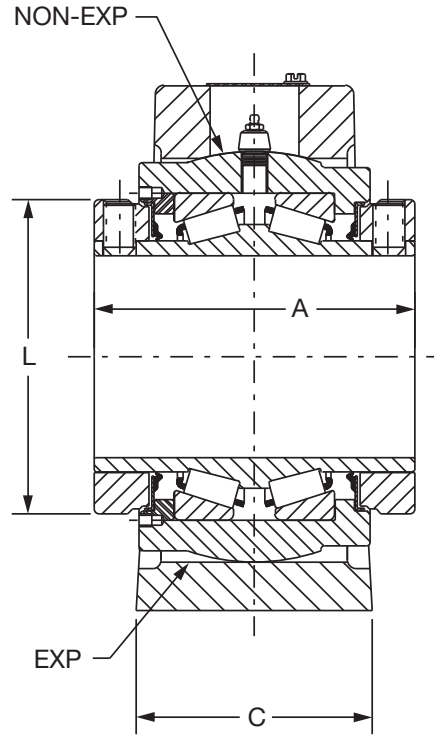


TAF Pillow Block - Inch 2-BOLT BASE

NOTE: All sizes use a 1/8 - 27 NPT hydraulic grease fitting



1-7/16" THRU 3" CONSTRUCTION



3-7/16" THRU 3-1/2" CONSTRUCTION

FEATURES/BENEFITS PAGE B10-2	HOW TO ORDER/NOMENCLATURE PAGE B10-9	EASY SELECTION PAGE B10-15	ACCESSORIES PAGE B10-64
---------------------------------	---	-------------------------------	----------------------------

SELECTION/DIMENSIONS



TAF Pillow Block - Inch 2-BOLT BASE

Gray Iron Non-Expansion							Gray Iron Expansion						
Shaft Size Inches #	Shaft Size Symbol	Saf Housing Number	Pillow Block Assy	Housing Only	Bearing Inner Unit	Pil. Blk.Wt. Aprx Lbs	Shaft Size Inches #	Shaft Size Symbol	Saf Housing Number	Pillow Block Assy	Housing Only	Bearing Inner Unit	Pil. Blk.Wt. Aprx Lbs
1-7/16	107	509	037580	037540	037632	12	1-7/16	107	509	037592	037555	037632	12
1-11/16	111	510	037581	037541	037633	15	1-11/16	111	510	037593	037556	037633	15
1-15/16	115	511	037582	037542	037634	17	1-15/16	115	511	037594	037557	037634	17
2-3/16	203	513	037583	037543	037635	25	2-3/16	203	513	037595	037558	037635	25
2-7/16	207	515	037584	037544	037636	30	2-7/16	207	515	037596	037559	037636	30
2-1/2	208		037585	037544	037637	30	2-1/2	208		037597	037559	037637	30
2-11/16	211	516	037586	037545	037638	38	2-11/16	211	516	037598	037560	037638	38
2-3/4	212		037587	037545	037639	38	2-3/4	212		037599	037560	037639	38
2-15/16	215	517	037588	037546	037640	45	2-15/16	215	517	037600	037561	037640	45
3	300		037589	037546	037641	44	3	300		037601	037561	037641	44
3-7/16	307	520	037590	037547	037642	71	3-7/16	307	520	037602	037562	037642	71
3-1/2	308		037591	037547	037643	70	3-1/2	308		037603	037562	037643	70

Non-Expansion Furnished Unless Otherwise Specified.

Consult DODGE For Sizes Not Shown

Shaft Size Inches	Saf Series	A	B	C	D		F Bolt Dia	G	H	J	L	M	P	Exp*
					Min.	Max.								
1-7/16	509	3.00	8.25	2.19	6.25	7.00	1/2	0.94	0.88	5.11	2.75	2.25	5.52	3/32
1-11/16	510	3.38	8.25	2.38	6.50	7.00	1/2	0.88	1.03	5.63	3.19	2.50	5.81	3/32
1-15/16	511	3.50	9.63	2.75	7.38	8.25	5/8	1.20	1.03	6.14	3.44	2.75	6.36	9/32
2-3/16	513	3.75	11.00	3.25	8.66	9.50	5/8	1.44	1.03	6.52	3.75	3.00	6.95	9/32
2-7/16	515	4.00	11.13	3.13	8.63	9.63	5/8	1.27	1.25	7.03	4.06	3.25	7.38	9/32
2-1/2														
2-11/16	516	4.50	12.59	3.50	9.88	11.00	3/4	1.44	1.00	7.67	4.72	3.50	8.31	9/32
2-3/4														
2-15/16	517	4.50	12.59	3.50	9.88	11.00	3/4	1.44	1.25	7.92	4.72	3.75	8.31	9/32
3														
3-7/16	520	5.00	15.38	4.34	11.81	13.13	7/8	1.66	1.66	9.42	5.50	4.50	10.09	9/32
3-1/2														

*EXP Total Expansion Divided Equally On Both Sides Of Bearing (Expansion Bearing Only).

NOTE: All sizes use a 1/8-27 NPT hydraulic grease fitting

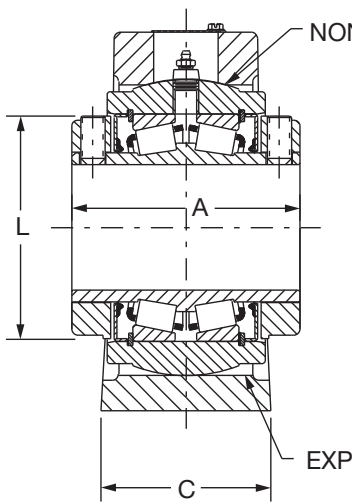
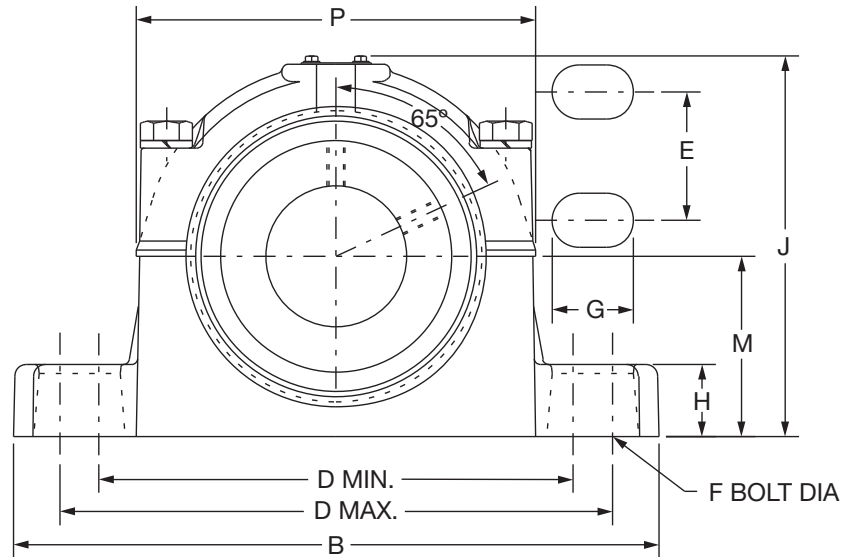
FEATURES/BENEFITS PAGE B10-2	HOW TO ORDER/NOMENCLATURE PAGE B10-9	EASY SELECTION PAGE B10-15	ACCESSORIES PAGE B10-64
---------------------------------	---	-------------------------------	----------------------------

SELECTION/DIMENSIONS

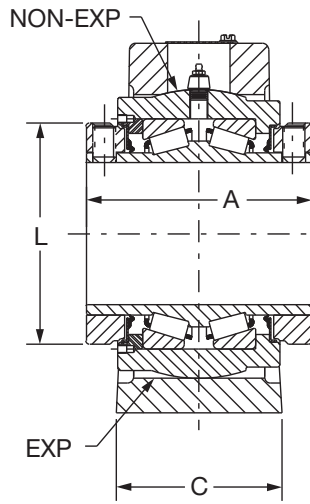


TAF Pillow Block - Inch 4-BOLT BASE

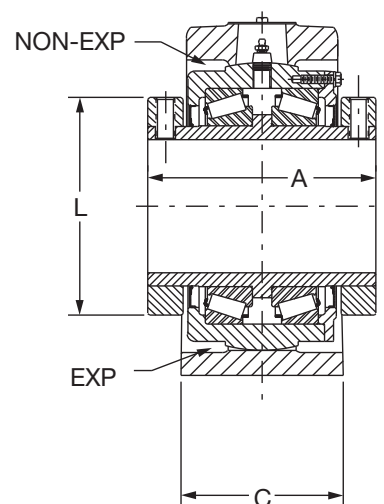
NOTE: All sizes use a 1/8 - 27 NPT hydraulic grease fitting



2-7/16" THRU 3"
CONSTRUCTION



3-7/16" THRU 5"
CONSTRUCTION



5-7/16" THRU 7"
CONSTRUCTION

FEATURES/BENEFITS PAGE B10-2	HOW TO ORDER/NOMENCLATURE PAGE B10-9	EASY SELECTION PAGE B10-15	ACCESSORIES PAGE B10-64
---------------------------------	---	-------------------------------	----------------------------

SELECTION/DIMENSIONS



TAF Pillow Block - Inch 4-BOLT BASE

Gray Iron Non-Expansion							Gray Iron Expansion						
Shaft Size Inches #	Shaft Size Symbol	SAF Housing Number	Pillow Block Assy	Housing Only	Bearing Inner Unit	Pil. Blk.Wt. Aprx Lbs	Shaft Size Inches #	Shaft Size Symbol	SAF Housing Number	Pillow Block Assy	Housing Only	Bearing Inner Unit	Pil. Blk.Wt. Aprx Lbs
2-7/16	207	515	037604	037548	037636	30	2-7/16	207	515	037618	037563	037636	30
2-1/2	208	515	037605	037548	037637	30	2-1/2	208	515	037619	037563	037637	30
2-11/16	211	516	037606	037549	037638	38	2-11/16	211	516	037620	037564	037638	38
2-3/4	212	516	037607	037549	037639	38	2-3/4	212	516	037621	037564	037639	38
2-15/16	215	517	037608	037550	037640	45	2-15/16	215	517	037622	037565	037640	45
3	300	517	037609	037550	037641	44	3	300	517	037623	037565	037641	44
3-7/16	307	520	037610	037551	037642	71	3-7/16	307	520	037624	037566	037642	71
3-1/2	308	520	037611	037551	037643	70	3-1/2	308	520	037625	037566	037643	70
3-15/16	315	522	037612	037552	037644	110	3-15/16	315	522	037626	037567	037644	110
4	400	522	037613	037552	037645	110	4	400	522	037627	037567	037645	110
4-7/16	407	526	037614	037553	037646	140	4-7/16	407	526	037628	037568	037646	140
4-1/2	408	526	037615	037553	037647	140	4-1/2	408	526	037629	037568	037647	140
4-15/16	415	528	037616	037554	037648	180	4-15/16	415	528	037630	037569	037648	180
5	500	528	037617	037554	037649	180	5	500	528	037631	037569	037649	180
5-7/16	507	532	023584	042628	023610	300	5-7/16	507	532	023603*	042627*	023610	300
5-15/16	515	534	023585	042630	023611	300	5-15/16	515	534	023604*	042629*	023611	300
6	600	534	023586	042630	023612	300	6	600	534	023605*	042629*	023612	300
6-7/16	607	536	023587	042632	023613	510	6-7/16	607	536	023606*	042631*	023613	510
6-1/2	608	536	023588	042632	023614	510	6-1/2	608	536	023607*	042631*	023614	510
6-15/16	615	538	023589	042634	023615	52	6-15/16	615	538	023608*	042633*	023615	520
7	700	538	023590	042634	023616	0520	7	700	538	023609*	042633*	023616	520

Non-Expansion Furnished Unless Otherwise Specified
Consult DODGE For Sizes Not Shown

Shaft Size	SAF Series	A	B	C	D		E	F Bolt Dia	G	H	J	L	M	P	Exp*
					min.	max.									
2-7/16	515	4.00	11.13	3.13	8.63	9.63	1.88	1/2	1.13	1.25	7.03	4.06	3.25	7.38	9/32
2-1/2															
2-11/16	516	4.50	12.59	3.50	9.88	11.00	2.13	5/8	1.33	1.00	7.67	4.72	3.50	8.31	9/32
2-3/4															
2-15/16	517	4.50	12.59	3.50	9.88	11.00	2.13	5/8	1.33	1.25	7.92	4.72	3.75	8.31	9/32
3															
3-7/16	520	5.00	15.38	4.34	11.63	13.13	2.38	3/4	1.63	1.66	9.42	5.50	4.50	10.09	9/32
3-1/2															
3-15/16	522	6.25	16.50	4.75	12.59	14.50	2.75	3/4	1.83	1.78	10.36	6.00	4.94	10.70	11/32
4															
4-7/16	526	6.75	18.38	5.13	14.50	16.00	3.25	7/8	1.75	2.06	11.83	6.45	6.00	12.45	11/32
4-1/2															
4-15/16	528	7.25	19.70	5.88	15.63	17.38	3.38	1	2.00	2.06	12.58	7.45	6.00	13.36	11/32
5															
5-7/16	532	9.00	21.66	6.25	17.63	19.25	3.75	1	1.92	2.34	14.00	9.38	6.69	15.13	13/32
5-15/16															
6	534	9.00	24.75	6.75	19.00	21.63	4.25	1	2.44	2.88	14.38	9.38	7.06	15.13	13/32
5-15/16															
6-7/16	536	10.50	26.75	7.13	21.00	23.63	4.63	1	2.44	3.00	16.19	11.38	7.50	18.31	13/32
6-1/2															
6-15/16	538	10.50	28.00	7.50	21.63	24.38	4.50	1-1/4	2.75	3.13	16.56	11.38	7.88	18.31	13/32
7															

*EXP - Total Expansion Divided Equally On Both Sides Of Bearing (Expansion Bearings Only)

Note: All sizes use a 1/8-27 NPT hydraulic grease fitting

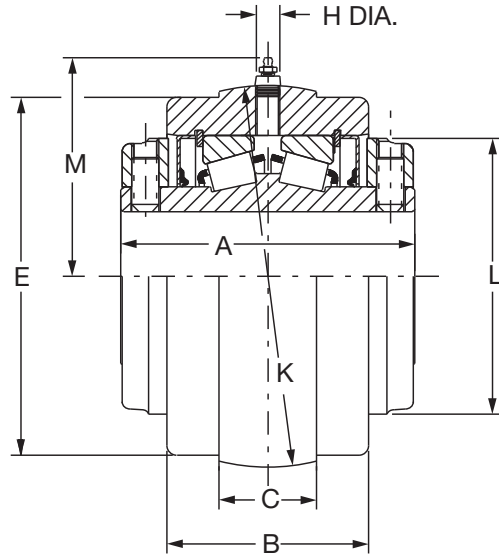
FEATURES/BENEFITS PAGE B10-2	HOW TO ORDER/NOMENCLATURE PAGE B10-9	EASY SELECTION PAGE B10-15	ACCESSORIES PAGE B10-64
---------------------------------	---	-------------------------------	----------------------------

Bearing Reference Guide
 E-Family Roller Bearings
 Specialty Tapered Products
 S-2000
 UNISPHERE II
 IMPERIAL
 UNIFIED SAF

SELECTION/DIMENSIONS



TAF Units - Inch

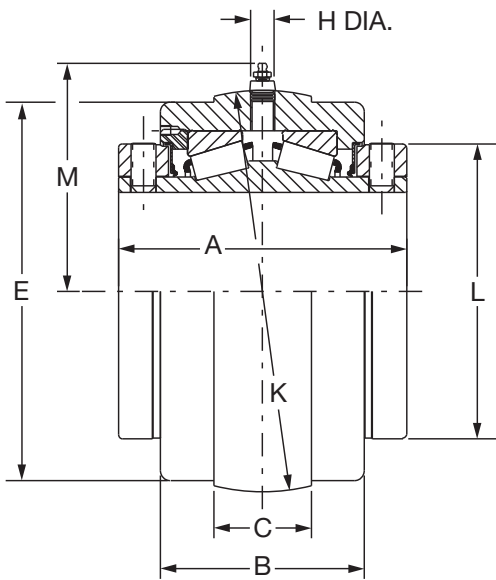


NOTE: All sizes use a 1/8 - 27 NPT hydraulic grease fitting

TAF S1 Unit Is Used In All Expansion And Non-Expansion TAF Housings

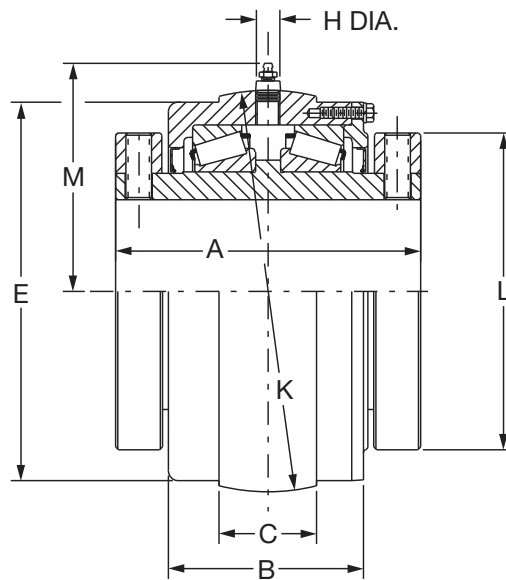
S-1 UNIT

1-7/16" THRU 3" CONSTRUCTION



S-1 UNIT

3-3/16" THRU 5" CONSTRUCTION



S-1 UNIT

5-7/16" THRU 7" CONSTRUCTION

FEATURES/BENEFITS PAGE B10-2	HOW TO ORDER/NOMENCLATURE PAGE B10-9	EASY SELECTION PAGE B10-15	ACCESSORIES PAGE B10-64
---------------------------------	---	-------------------------------	----------------------------

SELECTION/DIMENSIONS



TAF Units - Inch

"S-1" Units - Gray Iron			
Shaft Size # Inches	Part Number	Part Name	Weight Lbs (Approx)
1-7/16	037632	S1U509-TAF-107	5
1-11/16	037633	S1U510-TAF-111	7
1-15/16	037634	S1U511-TAF-115	8
2-3/16	037635	S1U513-TAF-203	9
2-7/16	037636	S1U515-TAF-207	11
2- 1/2	037637	S1U515-TAF-208	11
2-11/16	037638	S1U516-TAF-211	18
2-3/4	037639	S1U516-TAF-212	17
2-15/16	037640	S1U517-TAF-215	17
3	037641	S1U517-TAF-300	17
3-7/16	037642	S1U520-TAF-307	31
3-1/2	037643	S1U520-TAF-307	31
3-15/16	037644	S1U522-TAF-315	43
4	037645	S1U522-TAF-400	43
4-7/16	037646	S1U526-TAF-407	57
4-1/2	037647	S1U526-TAF-408	68
4-15/16	037648	S1U528-TAF-415	82
5	037649	S1U528-TAF-500	82
5-7/16	023610	S1U-TAF-507R	155
5-15/16	023611	S1U-TAF-515R	143
6	023612	S1U-TAF-600R	138
6-7/16	023613	S1U-TAF-607R	187
6-1/2	023614	S1U-TAF-608R	182
6-15/16	023615	S1U-TAF-615R	180
7	023616	S1U-TAF-700R	178

NOTE: TAF inserts below 5-7/16" are not interchangeable with TAF-XT housings, with shafts of 5" or less, order DOUBLE-INTERLOCK S-1 units on Page B10-50

Shaft Size Inches	A	B	C	E		H	K	L	M
				Mach. Side	Cast Side				
1-7/16	3.00	2.06	1.16	3.25	3.31	0.75	3.595 •	2.75	2.50
1-11/16	3.38	2.31	1.19	3.75	3.81	0.75	4.095 •	3.19	2.88
1-15/16	3.50	2.44	1.50	4.13	4.18	0.75	4.502 •	3.44	2.75
2-3/16	3.75	2.56	1.56	4.50	4.56	0.75	4.940 •	3.75	2.95
2-7/16	4.00	2.75	1.44	4.81	4.87	0.75	5.156 •	4.06	3.38
2- 1/2									
2-11/16	4.50	3.00	1.88	5.56	5.63	0.75	6.001	4.72	3.88
2-3/4									
2-15/16	4.50	3.00	1.88	5.56	5.63	0.75	6.001 •	4.72	3.88
3									
3-7/16	5.00	3.50	2.19	6.81	6.88	0.75	7.313 *	5.50	4.50
3-1/2									
3-15/16	6.25	4.50	2.59	7.44	7.40	0.94	7.937 *	6.00	5.13
4									
4-7/16	6.75	4.63	2.56	8.31	8.32	0.94	8.812 *	6.45	5.50
4-1/2									
4-15/16	7.25	5.13	3.13	9.56	9.54	0.94	10.124 *	7.45	6.19
5									
5-7/16	9.00	5.88	2.56	11.19	11.19	0.94	11.563 ^	9.38	6.91
5-15/16									
6	10.50	7.13	3.00	13.25	13.25	0.94	13.748 ^	11.38	8.00
6-7/16									
6-1/2									
6-15/16									
7									

• +.000,-.001"

^ .000,-.003"

* +.0005

Consult DODGE For Sizes Not Listed

FEATURES/BENEFITS PAGE B10-2	HOW TO ORDER/NOMENCLATURE PAGE B10-9	EASY SELECTION PAGE B10-15	ACCESSORIES PAGE B10-64
---------------------------------	---	-------------------------------	----------------------------

Bearing Reference Guide
E-Family Roller Bearings
Specialty Tapered Products
S-2000
UNISPHERE II
IMPERIAL
UNIFIED SAF

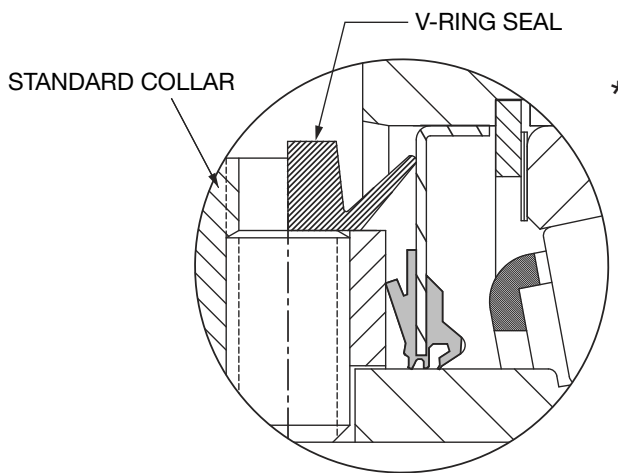


Type E-Xtra / Type K / DOUBLE-INTERLOCK /TAF E-TECT SEAL KITS

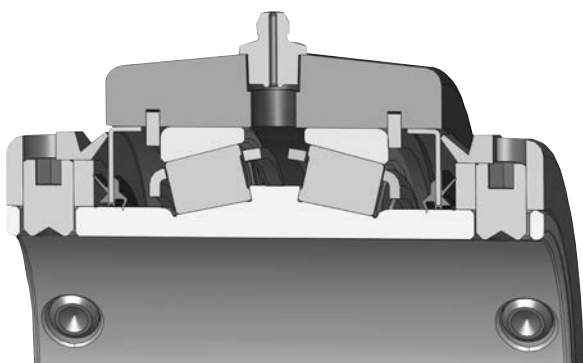
Shaft Size Inches	Kit Part Number
1-3/16 TO 1-1/4	037650*
1-3/8 TO 1-7/16	037651*
1-1/2 TO 1-11/16	037652*
1-3/4 TO 2	037653*
2-3/16	037654*
2-1/4 TO 2-1/2	037655*
2-11/16 TO 3	037656*
3-3/16 TO 3-1/2	037657*
3-15/16 TO 4	037658*
4-7/16 TO 4-1/2	037659*
4-15/16 TO 5	037660*
5-7/16 TO 6	037673**
6-7/16 TO 7	037674**

* Kit includes one collar, set screws and seal

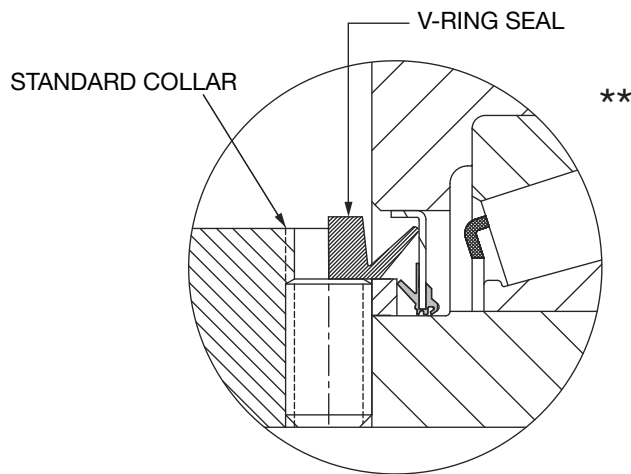
** Kit for 5-7/16" consists of a modified v-ring seal. This seal can only be used with bearings produced after September 1995



**SMALL E-TECT SEAL
1-3/16 THRU 5"**



XTS Sealing with E-Tect Option

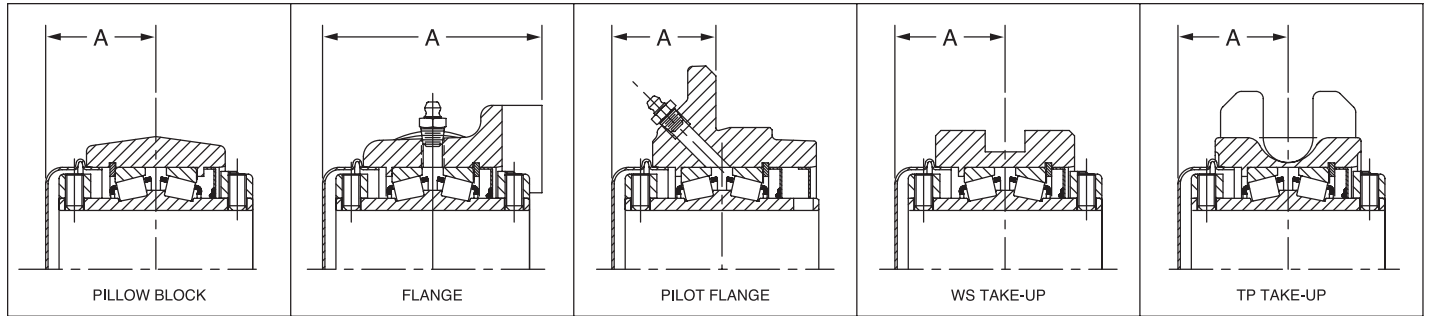


**LARGE E-TECT SEAL
5-7/16 THRU 7"**



Type E-Xtra

Type E-Xtra END CLOSURE KITS - INCH



** Seal must be removed before installing the end cover

Shaft Size Δ Inches	Kit* Part No.	"A" Dimension (Inch)				
		Pillow Block	Flange	Pilot Flange	WS Take-Up	TP Take-Up
1-3/16 TO 1-1/4	023795	1.56	2.97	1.47	----	----
1-3/8 TO 1-7/16	023796	1.34	3.22	1.66	1.66	----
1-1/2 TO 1-11/16	023797	1.89	3.67	1.73	1.76	----
1-3/4 TO 2	023798	1.95	3.80	1.73	1.92	1.98
2-3/16	023799	2.09	4.06	1.88	2.06	2.06
2-1/4 TO 2-1/2	023800	2.25	4.38	2.00	2.19	2.31
2-11/16 TO 3	023801	2.44	4.88	2.19	2.44	2.44

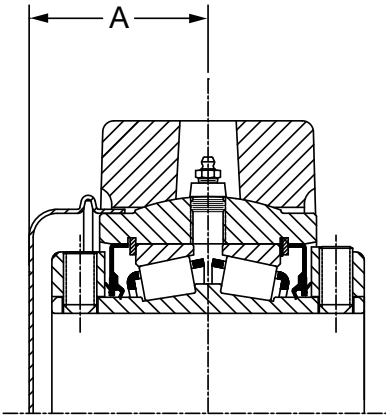
Δ - Consult DODGE For Sizes Not Listed.

* - Kit Includes End Closure And Special Collar.

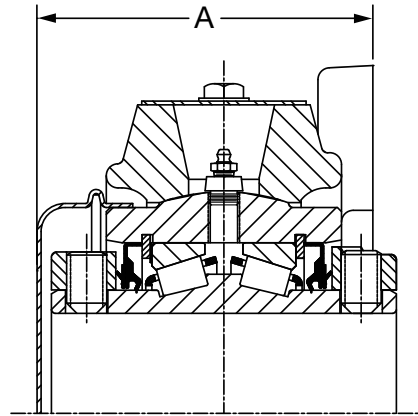
FEATURES/BENEFITS PAGE B10-2	HOW TO ORDER/NOMENCLATURE PAGE B10-9	EASY SELECTION PAGE B10-15	SELECTION/DIMENSIONS PAGE B10-22
---------------------------------	---	-------------------------------	-------------------------------------



Type K, DOUBLE-INTERLOCK and TAF End Covers



DOUBLE-INTERLOCK SHOWN
K, DI, & TAF



DOUBLE-INTERLOCK SHOWN
K & DI

Shaft Size Inches	Part Number	"A" Dimension	
		Pillow Block	Flange Bearing
1-3/8 TO 1-7/16	037681	1.66	2.84
1-1/2 TO 1-11/16	037682	1.86	3.17
1-3/4 TO 2	037683	1.92	3.30
2-3/16	037684	2.06	3.50
2-1/4 TO 2-1/2	037685	2.19	3.75
2-11/16 TO 3	037686	2.44	4.19
3-3/16 TO 3-1/2	037687	2.69	4.94
3-5/16 TO 4	037688	3.31	5.81
4-7/16 TO 4-1/2	037689	3.56	5.88
4-15/16 TO 5	037690	3.81	6.31

END CLOSURE MOUNTS ON MACHINED OD SIDE OF S-1 UNIT



SELECTION

TAF - Smart Stock Selections HOW TO ORDER

Step 1: The Housing Choices Standard Or Drilled

When speed only will be monitored, select the standard housing.

When vibration, and / or temperature will be monitored, select the drilled housing

All housing part numbers shown are 4-bolt base, non-expansion



Shaft Size	Series	Standard Housing Part Numbers If you are monitoring speed only Part #	Drilled Housing Part Number For temperature and/or vibration Part #
207	515	037548	053067
215	517	037550	053628
307	520	037551	067350
315	522	037552	054960
407	526	037553	067352
415	528	037554	067353
507	532	042628	067354
515	534	042630	067357
615	538	042634	067234

Step 2: Pick An S1 Unit

Smart S-1 units feature

Embedded thermocouple drilled and tapped holes for prox covers

Special locking collar with prox targets



Shaft Size	S1 Unit
207	055805
215	055806
307	055807
315	049235
407	055915
415	055840
507	067355
515	067356
615	067323

Step 3: The Sensor Choices

For speed monitoring, use AC prox and prox cover or DC prox and prox cover.

For temperature monitoring, use thermocouple transmitter.

Prox Covers		
Shaft	Housing	Part Number
207	515	067340
215	517	067342
307	520	067343
315	522	067344
407	526	067345
415	528	067346
507	532	067347
515	534	067347
615	538	067348

TAF Sensor kits	Part Number
AC Prox	055943
Thermocouple Transmitter	055931
Cable Connector Kit	063694
4-20 ma Accelerometer and Thermocouple	067576

* For additional details on DODGE Smart Bearings, see brochure DMR-2026-6

FEATURES/BENEFITS PAGE B10-2	HOW TO ORDER/NOMENCLATURE PAGE B10-9	SELECTION/DIMENSIONS PAGE B10-22	ACCESSORIES PAGE B10-64
---------------------------------	---	-------------------------------------	----------------------------



SELECTION

Bearing Reference Guide

E-Family Roller Bearings

Specialty Tapered Products

S-2000

UNISPHERE II

IMPERIAL

UNIFIED SAF

Type E-Xtra - Metric

SELECTION

METRIC TYPE E-XTRA TAPERED ROLLER BEARINGS

DODGE Type E-Xtra Double Row Tapered Roller Bearings have the capacity to carry heavy radial loads, thrust loads, and combined radial and thrust loads. The maximum recommended load which can be applied is limited by various components in the system such as bearing, housing, shaft, shaft attachment, speed and life requirements as listed in this catalog. DODGE Unitized Type E-Xtra Roller Bearings have been applied successfully even when these limits have been exceeded under controlled operating conditions. Contact DODGE Application Engineering (864-284-5700) for applications which exceed the recommendations of this catalog.

L₁₀ Life, Hours -- The fatigue life which may be expected from at least 90% of a given group of bearings operating under identical conditions.

$$L_{10} \text{ Life, Hours} = \left(\frac{C_{90}}{P} \right)^{10/3} \times \frac{1,500,000}{\text{RPM}}$$

Where: C_{90} = Dynamic Capacity (Table 9), kN

P = Equivalent Radial Load, kN

GENERAL

Heavy Service -- For heavy shock loads, frequent shock loads, or severe vibrations, increase the Equivalent Radial Load up to 50% (according to severity of conditions) to obtain a Modified Equivalent Radial Load. Consult Application Engineering at 864-284-5700 for additional selection assistance.

Thrust load values shown in the table below are recommended as a guide for general applications that will give adequate L₁₀ life. With substantial radial loads also present, it is advisable to calculate actual L₁₀ life to assure the bearing meets requirements.

RPM RANGE	20 - 200	201 - 2000	Over 2000
RECOMMENDED THRUST LOAD	$C_{90}/4$	$C_{90}/8$	$C_{90}/12$

The shaft tolerances recommended below are adequate for the conditions outlined in this catalog. Since the allowable load, especially at a low speed, is very large, the shaft should be checked to assure adequate shaft strength.

The magnitude and direction of both the thrust and radial load must be taken into account when selecting a shaft size. **Heavy loads should be directed through the base. Where uplift loads are involved see Table 13 for maximum values.** Where a load pulls the housing away from the mounting base, both the hold-down bolts and housing must be of adequate strength. Auxiliary load carrying devices such as shear bars are advisable for side or end loading of plummer blocks.

Shaft Tolerances	
Shaft Size	Tolerance
Up to 35mm	+ .000 - .013mm
40 to 100mm	+ .000 - .025mm
100 - 150mm	+ .000 - .038mm
160 - 180mm	+ .000 - .051mm

Type E-Xtra - Metric

SELECTING BEARINGS SUPPORTING RADIAL LOADS ONLY

1. Define the desired L₁₀ Life, in Hours
2. Establish bearing radial load, F_R, kN
3. Establish RPM.

F_R = P for Pure Radial Load Conditions.

P = Equivalent radial load, kN

(The Dodge program BEST• can be used to find application loads.)

Using the easy selection Table 1, Page B10-14 under the RPM column find the equivalent load that equals or is higher than the application radial load for the desired life. The shaft size on the far left will be the minimum shaft size that you can use for your application. If the desired life is different than the values shown on the chart, use alternate Method A shown below.

Example: L₁₀ Life = 30,000 Hours
Radial load = 17.5 kN
RPM = 1000

At the intersection of the 1000 RPM column and at the 30,000 hours L₁₀ life row, the equivalent radial load of 18 kN exceeds the 17.5kN application radial load for shaft size 55mm. Therefore, an 55mm E bearing can be used to meet the application bearing conditions of the above example:

ALTERNATE METHOD A --SELECTING A BEARING FOR AN L₁₀ LIFE VALUE NOT SHOWN IN THE EASY SELECTION CHART.

The L₁₀ life equation can be rearranged so that the bearing dynamic capacity C₉₀ is identified in terms of L₁₀, RPM and P.

$$C_{90} = \left(\frac{L_{10} \times \text{RPM}}{1,500,000} \right)^{0.3} \times P$$

(P = F_R for Pure Radial Load Conditions)

Since the L₁₀, RPM, and P are known, solve for C₉₀. Select from the dynamic capacity column on Table 10 the C₉₀ value equal to or greater than the C₉₀ value just calculated. The bore size on the far left represents the minimum shaft size selection. Check that the application RPM does not exceed the MAX. RPM on Table 10. When selecting a L₁₀ life of less than 30,000 hours particular attention must be paid to shaft deflection and proper lubricant selection.

- The DODGE Bearing Evaluation and Selection Technique (BEST) is a menu driven computer program that calculates bearing loads, fatigue life, and operating temperature for a two bearing shaft system based on user supplied input parameters. This interactive program is available at www.ptwizard.com under the Product Selection area.

FEATURES/BENEFITS PAGE B10-2	HOW TO ORDER/NOMENCLATURE PAGE B10-9	SELECTION/DIMENSIONS PAGE B10-22	ACCESSORIES PAGE B10-64
---------------------------------	---	-------------------------------------	----------------------------



SELECTION

Type E-Xtra - Metric

SELECTING BEARINGS SUPPORTING BOTH RADIAL AND THRUST LOADS

When a bearing supports both a radial load and a thrust load, the loading on the two rows is shared unequally depending on the ratio of thrust to radial load. The use of the X (radial factor) and Y (thrust factor) from Table 9 convert the applied thrust load and radial loads to an equivalent radial load having the same effect on the life of the bearing as a radial load of this magnitude.

The equivalent radial load $P = XF_R + YF_A$ (Equation 1)

Where:

- P = Equivalent radial load, kN
- F_R = Radial load, kN
- F_A = Thrust (axial) load, kN
- e = Thrust load to radial load factor (Table 1)
- X = Radial load factor (Table 1)
- Y = Thrust load factor (Table 1)

Calculate FA/FR and compare to e for the selected bore size. Determine X and Y from Table 1 depending on whether FA/FR is equal to or less than e, or FA/FR greater than e. Substitute all known values into the equivalent radial load equation. P (equivalent radial load) can be used in the life formula to determine L₁₀ life in hours or compared to the allowable equivalent radial load ratings for the speed and hours life desired in the easy selection table.

SELECTING BEARINGS SUPPORTING ONLY THRUST LOADS

Type E-Xtra tapered roller bearings are well suited to carry pure thrust loads. Follow the same selection procedure used above "Selecting Bearings Supporting Both Radial and Thrust Loads" except the equation $P = XF_R + YF_A$ reduces to $P = YF_A$. (X_{F_R} is equal to zero)

Table 10: Radial And Thrust Factors For Type E-Xtra Tapered Roller Bearings (Metric)

Shaft Size (MM)	e	F _A /F _R ≤ e		F _A /F _R > e		Dynamic Capacity C ₉₀ * K Newtons	Maximum RPM	Maximum Slip Fit Radial Load, (Fr)K N**
		X	Y	X	Y			
35	0.46	.87	1.89	.70	2.28	24.5	3,820	22.2
40	0.44	.87	1.96	.70	2.37	31.4	3,320	28.5
45, 50	0.33	.87	2.64	.70	3.18	41.4	3,050	37.4
55	0.35	.87	2.38	.70	2.87	43.8	2,730	39.6
60, 65	0.40	.87	2.17	.70	2.63	47.2	2,420	42.2
70, 75	0.45	.87	1.87	.70	2.26	49.5	2,060	44.5
80, 85, 90	0.50	.87	1.71	.70	2.07	79.0	1,640	71.2
100	0.49	.87	1.77	.70	2.14	108.5	1,530	98.0
110, 115	0.53	.87	1.63	.70	1.97	133.4	1,360	120.0
125	0.47	.87	1.83	.70	2.21	183.8	1,200	164.6
135, 140, 150	0.49	.87	1.76	.70	2.12	181.1	915	188.6
160, 170, 180	0.54	.87	1.61	.70	1.95	307.9	790	320.2

COMPARING SPHERICAL TO TAPER ROLLER BEARING

The dynamic capacity C (spherical) and C₉₀ (taper) are not to the same base. To compare basic dynamic capacities, multiply C x .259 and compare to C₉₀.

To select and then compare, use the complete selection procedure for each type bearing and then compare.

* C₉₀---Dynamic capacity based on a rated life of 90 million revolutions or 3000 hours at 500 RPM.

** If load exceeds maximum allowable slip fit radial load (F_R), line to line, to-light press fit of shaft required. Application loads up to maximum slip fit radial load may be applied if recommended shaft tolerances are used.



SELECTION

Type E-Xtra - Metric

Table 11 - Easy Selection for Type E-Xtra Metric

Shaft Size	L10 Hours	Allowable Equivalent Radial Load Rating (kN) At Various Revolutions Per Minute														
		50	100	150	250	500	750	1000	1250	1500	1750	2000	2500	2700	3000	3500
35mm	10000	34	28	24	21	17	15	14	13	12	12	11	11	10	10	10
	30000	24	20	18	15	12	11	10	9	9	8	8	8	7	7	7
	40000	22	18	16	14	11	10	9	9	8	8	7	7	7	7	6
	60000	20	16	14	12	10	9	8	8	7	7	6	6	6	6	6
	100000	17	14	12	11	9	8	7	6	6	6	5	5	5	5	5
40mm	10000	44	36	31	27	22	19	18	17	16	15	14	14	13	13	12
	30000	31	26	23	19	16	14	13	12	11	11	10	10	10	9	9
	40000	29	23	21	18	14	13	12	11	10	10	9	9	8	8	8
	60000	26	21	18	16	13	11	10	10	9	9	8	8	8	7	7
	100000	22	18	16	14	11	10	9	8	8	8	7	7	7	6	6
45mm 50mm	10000	58	47	41	35	29	26	23	22	21	20	19	18	17	17	
	30000	41	34	30	26	21	18	17	16	15	14	14	13	13	12	
	40000	38	31	27	23	19	17	15	14	14	13	13	12	11	11	
	60000	34	27	24	21	17	15	14	13	12	12	11	10	10	10	
	100000	29	23	21	18	14	13	12	11	10	10	9	9	9	8	
55mm	10000	61	49	44	38	31	27	25	23	22	21	20	19	18	18	
	30000	44	36	32	27	22	19	18	17	16	15	14	14	13	13	
	40000	40	33	29	25	20	18	16	15	14	14	13	12	12	12	
	60000	36	29	26	22	18	16	14	14	13	12	12	11	11	10	
	100000	31	25	22	19	15	14	12	12	11	11	10	9	9	9	
60mm 65mm	10000	66	53	47	40	33	29	27	25	24	23	22	20			
	30000	47	38	34	29	24	21	19	18	17	16	16	15			
	40000	43	35	31	27	22	19	18	16	16	15	14	13			
	60000	38	31	28	24	19	17	16	15	14	13	13	12			
	100000	33	27	24	20	16	15	13	13	12	11	11	10			
70mm 75mm	10000	69	56	49	42	34	31	28	26	25	24	23				
	30000	49	40	36	31	25	22	20	19	18	17	16				
	40000	45	37	33	28	23	20	18	17	16	16	15				
	60000	40	33	29	25	20	18	16	15	14	14	13				
	100000	34	28	25	21	17	15	14	13	12	12	11				
80mm 85mm 90mm	10000	110	89	79	68	55	49	45	42	40	38					
	30000	79	64	57	49	40	35	32	30	28	27					
	40000	72	59	52	45	36	32	29	28	26	25					
	60000	64	52	46	40	32	28	26	24	23	22					
	100000	55	45	40	34	28	24	22	21	20	19					
100mm	10000	151	123	109	93	76	67	61	57	54						
	30000	109	88	78	67	54	48	44	41	39						
	40000	100	81	72	61	50	44	41	38	36						
	60000	88	72	63	54	44	39	36	34	32						
	100000	76	61	54	47	38	34	31	29	27						

For Maximum RPM See Table 1 on Page B10-14

In the Shaded Area E, DI & TAF Mounted Unites Required Line-To-Line Press Fit to Shaft:

FEATURES/BENEFITS PAGE B10-2	HOW TO ORDER/NOMENCLATURE PAGE B10-9	SELECTION/DIMENSIONS PAGE B10-22	ACCESSORIES PAGE B10-64
---------------------------------	---	-------------------------------------	----------------------------



SELECTION

Type E-Xtra - Metric

Table 11 - Easy Selection for Type E-Xtra Metric

Shaft Size	L10 Hours	Allowable Equivalent Radial Load Rating (kN) At Various Revolutions Per Minute														
		50	100	150	250	500	750	1000	1250	1500	1750	2000	2500	2700	3000	3500
110mm 115mm	10000	186	151	133	114	93	82	76	71							
	30000	133	108	96	82	67	59	54	51							
	40000	122	99	88	76	61	54	50	47							
	60000	108	88	78	67	54	48	44	41							
	100000	93	76	67	57	47	41	38	35							
125mm	10000	255	208	184	158	128	113	104	97							
	30000	184	149	132	113	92	82	75	70							
	40000	169	137	121	104	84	75	69	64							
	60000	149	121	107	92	75	66	61	57							
	100000	128	104	92	79	64	57	52	49							
135mm 140mm 150mm	10000	250	205	180	155	125	110	100								
	30000	180	145	130	110	90	80	75								
	40000	165	135	120	100	85	75	65								
	60000	145	120	105	90	75	65	60								
	100000	125	100	90	75	65	55	50								
160mm 170mm 180mm	10000	430	345	305	265	215	190									
	30000	305	250	220	190	155	135									
	40000	280	230	205	175	140	125									
	60000	250	205	180	155	125	110									
	100000	215	175	155	130	105	95									

For Maximum RPM See Table 1 on Page B10-14

In the Shaded Area E, DI & TAF Mounted Unites Required Line-To-Line Press Fit to Shaft:

FEATURES/BENEFITS PAGE B10-2	HOW TO ORDER/NOMENCLATURE PAGE B10-9	SELECTION/DIMENSIONS PAGE B10-22	ACCESSORIES PAGE B10-64
---------------------------------	---	-------------------------------------	----------------------------



SELECTION

Type E-Xtra

LUBRICATION

DODGE Type E-Xtra Metric Tapered Roller Bearings are lubricated at the factory with Mobil Mobilgrease XHP222, a superior industrial grease using a lithium complex thickener and a highly refined base oil. This grease will adequately handle low and medium speeds with low and medium loads at normal temperatures as defined on Table 15. For very low and high speeds, for heavy loads and for low and high temperatures, special greases must be used. Contact DODGE Application Engineering (864) 284-5700. DODGE engineers will recommend bearings and lubricants for the unusual conditions. DODGE also has the expertise to custom design and build special bearings for your needs.

High Speed Operation --- In the higher speed ranges too much grease will cause overheating. The amount of grease that the bearing will take for particular high speed application can only be determined by experience. If excess grease in the bearing caused overheating, it will be necessary to remove grease fitting (also drain plug when furnished) to permit excess grease to escape. When establishing a relubrication schedule, note that a small amount of grease at frequent intervals is preferable to a large amount at infrequent intervals.

Operation in Presence of Dust, Water or Corrosive Vapors

--- Under these conditions the bearing should contain as much grease as speed will permit, since a full bearing with consequent slight leakage is the best protection against entrance of foreign material. In the higher speed ranges too much grease will cause overheating --- see "High Speed Operation". In the lower speed ranges, it is advisable to add extra grease to a new bearing before putting into operation. Bearings should be greased as often as necessary (daily if required) to maintain a slight leakage at the seals.

INSTALLATION AND MAINTENANCE

In nearly all applications good design practice requires two bearings supporting the shaft. In cases where three or more bearings are installed, unless precautions are taken to line the bearings up, both vertically and horizontally, it is possible to induce heavy loads. To ensure good alignment, mounting surfaces must be checked for flatness and must lie in the same plane. When tightening base bolts and cap bolts, each bolt should be alternately tightened in incremental torque values until full torque is achieved to prevent the angular shifting of the pillow block that occurs when one bolt is tightened to its full torque. Shimmiing may be required to minimize misalignment.

Table 12 - Relubrication Schedule

Hours Run Per Day	Suggested Lubrication Period In Weeks							
	1 To 250 RPM	251 To 500 RPM	501 To 750 RPM	751 To 1000 RPM	1001 To 1500 RPM	1501 To 2000 RPM	2001 To 2500 RPM	2501 To 3000 RPM
8	12	12	10	7	5	4	3	2
16	12	7	5	4	2	2	2	1
24	10	5	3	2	1	1	1	1

FEATURES/BENEFITS PAGE B10-2	HOW TO ORDER/NOMENCLATURE PAGE B10-9	SELECTION/DIMENSIONS PAGE B10-22	ACCESSORIES PAGE B10-64
---------------------------------	---	-------------------------------------	----------------------------

SELECTION



Type E-Xtra - Metric

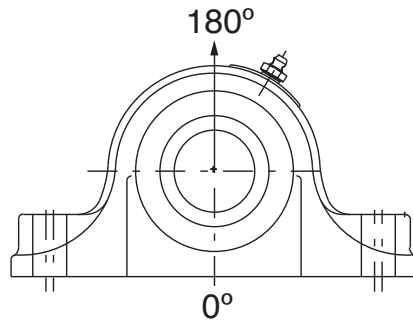


Table 13 - Type Housing Ratings, Gray Iron

Bore Size MM	Maximum Housing Cap Loads, kN
	P180
35	14
40	13
45, 50	23
55	16
60, 65	29
70, 75	31
80, 85, 90	70
100	72
110, 115	93
125	116
135, 140, 150	194
160, 170, 180	204

Table 14 - Definition Of Operating Conditions For Tapered Roller Bearings

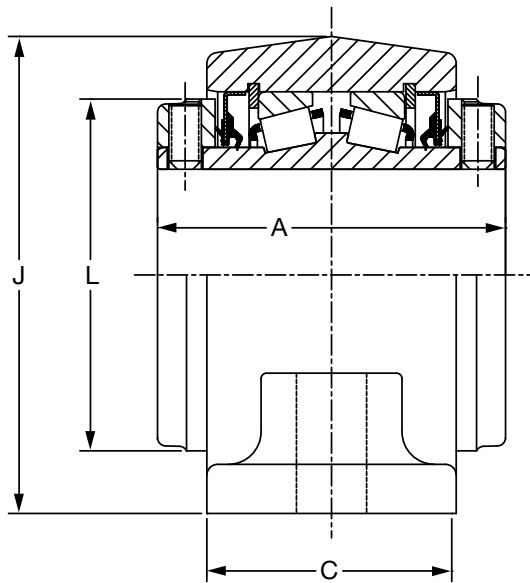
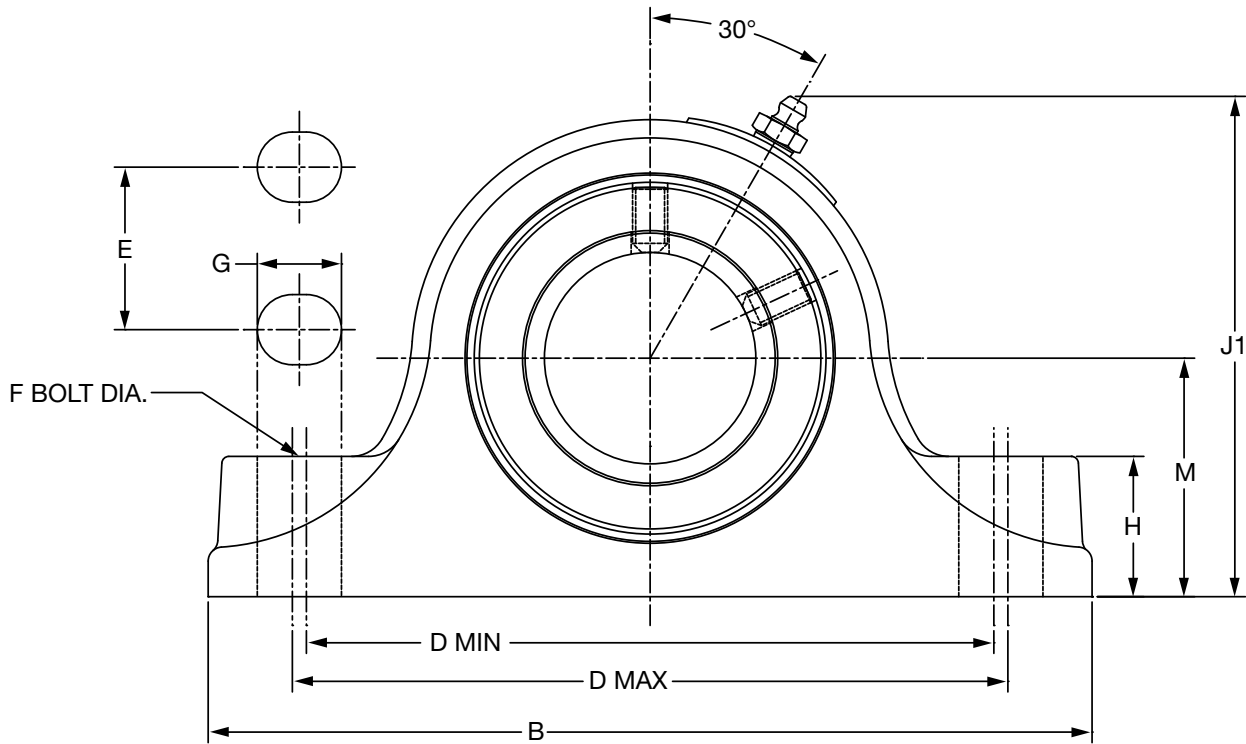
LOW SPEED	UP TO 20% OF MAX. RPM (TABLE 9)
MEDIUM SPEED	OVER 20% TO 80% OF MAX. RPM
HIGH SPEED	OVER 80% OF MAX. RPM
LIGHT LOAD	UP TO 30% OF C ₉₀ (TABLE 9)
NORMAL LOAD	OVER 30% TO 70% OF C ₉₀
HEAVY LOAD	OVER 70% OF C ₉₀
LOW TEMPERATURE	-75°C TO - 10°C
MEDIUM TEMPERATURE	ABOVE - 10°C TO 100°C
HIGH TEMPERATURE	ABOVE 100°C TO 150°C
VERY HIGH TEMPERATURE	ABOVE 150°C TO 205°C

FEATURES/BENEFITS PAGE B10-2	HOW TO ORDER/NOMENCLATURE PAGE B10-9	SELECTION/DIMENSIONS PAGE B10-22	ACCESSORIES PAGE B10-64
---------------------------------	---	-------------------------------------	----------------------------

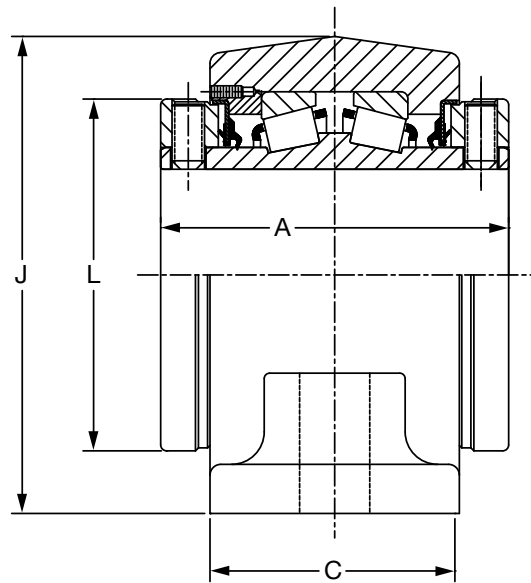
SELECTION/DIMENSIONS



Type E-Xtra - Plummer Block - Metric 2 & 4 BOLT BASE



35mm THRU 75mm CONSTRUCTION



80 mm THRU 125 mm CONSTRUCTION

<p>FEATURES/BENEFITS PAGE B10-2</p>	<p>HOW TO ORDER/NOMENCLATURE PAGE B10-9</p>	<p>EASY SELECTION PAGE B10-15</p>	<p>ACCESSORIES PAGE B10-64</p>
---	---	---------------------------------------	------------------------------------

SELECTION/DIMENSIONS



Type E-Xtra - Plummer Block - Metric

Type E-Xtra Plummer Blocks, 2-Bolt

Shaft Size (mm)	Part Number	Part Name	Weight Lbs. (Approx.)
35mm	023620	P2B-E-035MR	7
40mm	023621	P2B-E-040MR	10
45mm	023622	P2B-E-045MR	12
50mm	023623	P2B-E-050MR	12
55mm	023624	P2B-E-055MR	15
60mm	023625	P2B-E-060MR	20
65mm	023626	P2B-E-065MR	20
70mm	023627	P2B-E-070MR	29
75mm	023628	P2B-E-075MR	27
80mm	023629	P2B-E-080MR	49
85mm	023630	P2B-E-085MR	47
90mm	023631	P2B-E-090MR	45

Type E-Xtra Plummer Blocks, 4-Bolt

Shaft Size (mm)	Part Number	Part Name	Weight Lbs. (Approx.)
100mm	023632	P4B-E-100MR	69
110mm	023633	P4B-E-110MR	85
115mm	023634	P4B-E-115MR	91
125mm	023635	P4B-E-125MR	136
135mm	023636	P4B-E-135MR	245
140mm	023637	P4B-E-140MR	240
150mm	023638	P4B-E-150MR	235
160mm	023639	P4B-E-160MR	355
170mm	023640	P4B-E-170MR	345
180mm	023641	P4B-E-180MR	345

Type E-Xtra Plummer Blocks, 2-Bolt Base

Shaft Size (mm)	A	B	C	D		F Bolts	G	H	J1	L	M
				Min.	Max						
35mm	76.2	187.0	54.0	142.8	149.2	M12	19	29	101.6	70	47.6
40mm	85.7	200.0	60.0	155.5	161.9	M12	19	32	113.5	81	54.0
45mm	88.9	225.0	64.0	174.6	181.0	M16	22	33	119	87	57.2
50mm	88.9	225.0	64.0	174.6	181.0	M16	22	33	119	87	57.2
55mm	95.3	244.0	67.0	193.7	200.0	M16	22	38	131.4	95	63.5
60mm	101.6	267.0	73.0	212.7	219.0	M16	22	41	142.8	103	69.9
65mm	101.6	267.0	73.0	212.7	219.0	M16	22	41	142.8	103	69.9
70mm	114.3	305.0	76.0	236.5	246.0	M20	27	48	161.1	120	79.4
75mm	114.3	305.0	76.0	236.5	246.0	M20	27	48	161.1	120	79.4
80mm	127.0	356.0	89.0	274.6	284.2	M20	30	57	190.5	139.7	95.3
85mm	127.0	356.0	89.0	274.6	284.2	M20	30	57	190.5	139.7	95.3
90mm	127.0	356.0	89.0	274.6	284.2	M20	30	57	190.5	139.7	95.3

Type E-Xtra Plummer Blocks, 4-Bolt Base

Shaft Size (mm)	A	B	C	D		E	F Bolts	G	H	J1	L	M
				Min.	Max							
100mm	158.8	387	114	311.2	323.9	57.2	M20	28	62	216	152.4	108.0
110mm	171.5	422	117	336.6	349.3	63.5	M20	28	70	238	164	120.7
115mm	171.5	422	117	336.6	349.3	63.5	M20	28	70	238	164	120.7
125mm	184.2	470	130	387.4	400.0	73.0	M24	32	76	276	189	139.7
135mm	228.6	559	159	441.3	485.8	95.3	M24	51	83	335	238	169.9
140mm	228.6	559	159	441.3	485.8	95.3	M24	51	83	335	238	169.9
150mm	228.6	559	159	441.3	485.8	95.3	M24	51	83	335	238	169.9
160mm	266.7	660	181	539.8	590.6	117.5	M24	51	94	379	289	190.5
170mm	266.7	660	181	539.8	590.6	117.5	M24	51	94	379	289	190.5
180mm	266.7	660	181	539.8	590.6	117.5	M24	51	94	379	289	190.5

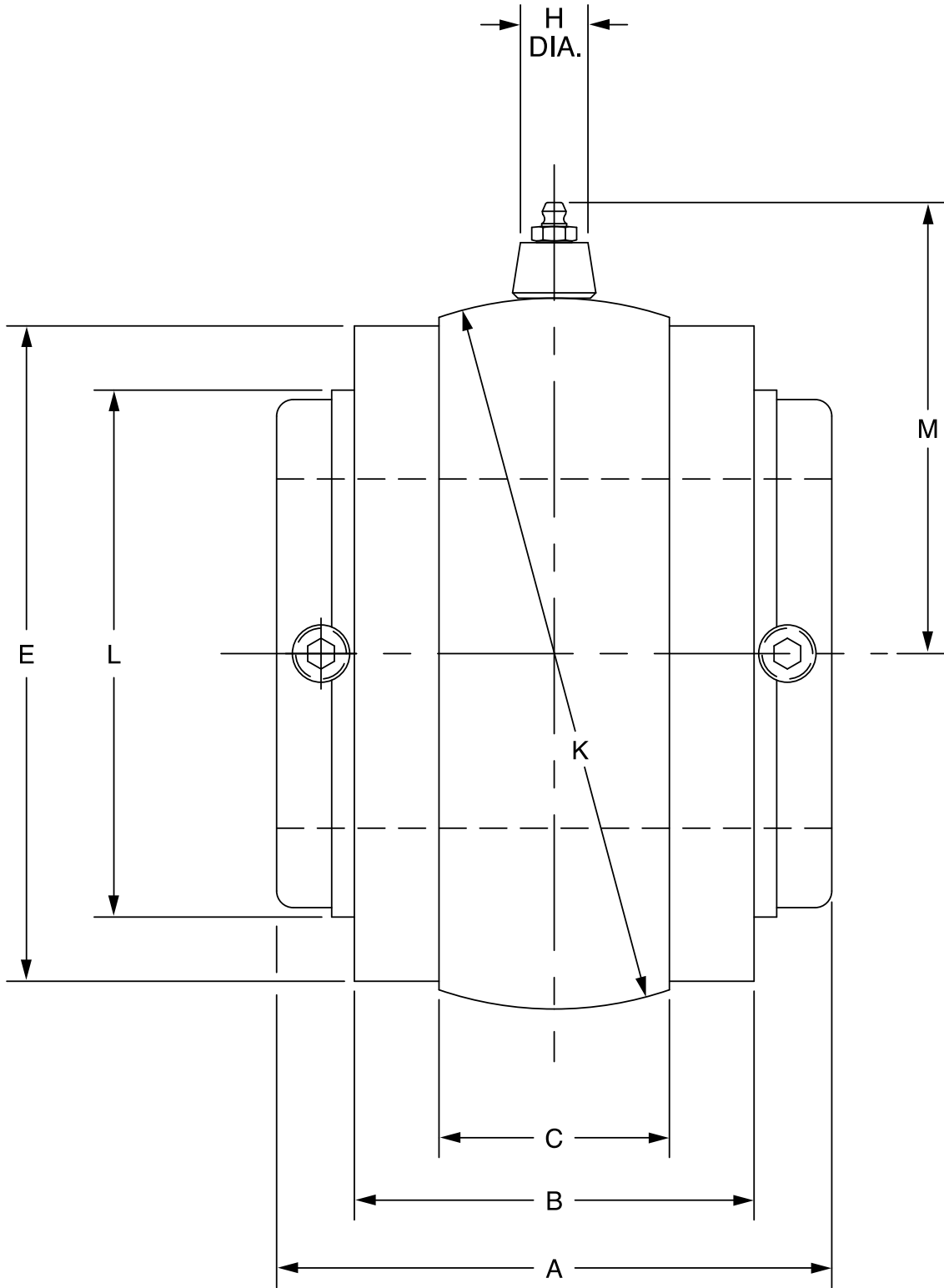
FEATURES/BENEFITS PAGE B10-2	HOW TO ORDER/NOMENCLATURE PAGE B10-9	EASY SELECTION PAGE B10-15	ACCESSORIES PAGE B10-64
---------------------------------	---	-------------------------------	----------------------------

Bearing Reference Guide
 E-Family Roller Bearings
 Specialty Tapered Products
 S-2000
 UNISPHERE II
 IMPERIAL
 UNIFIED SAF

SELECTION/DIMENSIONS



DOUBLE-INTERLOCK - Metric



<p>FEATURES/BENEFITS PAGE B10-2</p>	<p>HOW TO ORDER/NOMENCLATURE PAGE B10-9</p>	<p>EASY SELECTION PAGE B10-15</p>	<p>ACCESSORIES PAGE B10-64</p>
---	---	---------------------------------------	------------------------------------

SELECTION/DIMENSIONS



DOUBLE-INTERLOCK - Metric

Metric Double Interlock "S-1" Units - Fray Iron			
Shaft Size #	Part Number	Part Name	Weight Lbs (Approx)
35mm	023700	S1U-DI-035M	5
40mm	023701	S1U-DI-040M	6
45mm	023702	S1U-DI-045M	8
50mm	023703	S1U-DI-050M	8
55mm	023704	S1U-DI-055M	10
60mm	023705	S1U-DI-060M	11
65mm	023706	S1U-DI-065M	10
70mm	023707	S1U-D9-070M	17
75mm	023708	S1U-DI-075M	17
80mm	023709	S1U-DI-080M	33
85mm	023710	S1U-DI-085M	32
90mm	023711	S1U-DI-090M	31
100mm	023712	S1U-DI-100M	42
110mm	023713	S1U-D1-110M	55
115mm	023714	S1U-DI-115M	71
125mm	023715	S1U-DI-125M	85

For housing references see the following pages: Pillow Blocks (B10-22 - B10-25) Flange Bearings (B10-26 - B10-29)

Shaft Size (mm)	A	B	C	E		H Dia	K	L	M
				Mach Size	Cast Size				
35mm	3.00	2.063	1.156	3.250	3-5/16	0.688	3.625 *	2.750	2.640
40mm	3.375	2.313	1.188	3.750	3-13/16	0.688	4.125 *	3.188	2.890
45mm	3.500	2.875	1.500	4.125	4-3/16	0.688	4.562 *	3.438	3.100
50mm									
55mm	3.750	2.563	1.563	4.500	4-5/8	0.688	5.000 *	3.750	3.320
60mm	4.000	2.750	1.438	4.812	4-7/8	0.688	5.186 *	4.063	3.410
65mm									
70mm	4.500	3.000	1.875	5.563	5-5/8	0.688	6.061 *	4.719	3.850
75mm									
80mm	5.000	3.500	2.00	6.813	6-7/8	0.688	7.373#	5.531	4.510
85mm									
90mm									
100mm	6.250	4.500	2.375	7.438	7-1/2	0.313	7.997#	6.125	5.160
110mm	6.750	4.625	2.375	8.313	8-3/8	0.313	8.872#	6.438	5.600
115mm									
125mm	7.250	5.125	2.875	9.563	9-5/8	0.313	10.184#	7.438	6.260

All Dimensions Are Shown In Inches

* +.000 to -.001"

+/- .0005"

FEATURES/BENEFITS PAGE B10-2	HOW TO ORDER/NOMENCLATURE PAGE B10-9	EASY SELECTION PAGE B10-15	ACCESSORIES PAGE B10-64
---------------------------------	---	-------------------------------	----------------------------



NOTES

Bearing Reference
Guide

E-Family Roller
Bearings

Specialty Tapered
Products

S-2000

UNISPHERE II

IMPERIAL

UNIFIED SAF

CONTENTS



Specialty Tapered Products

Features / Benefits

Type C	B11-2
Special Duty, Hinged Cap	B11-3
All Steel	B11-4

Specifications

Type C	B11-5
Special Duty, Hinged Cap & Traction Wheel	B11-20
All Steel	B11-46

How to Order

Type C	B11-6
Special Duty, Hinged Cap	B11-21
All Steel	B11-47

Nomenclature

Type C	B11-6
Special Duty, Hinged Cap & Traction Wheel	B11-22
All Steel	B11-48

Selection

Type C	B11-7
Special Duty, Hinged Cap & Traction Wheel	B11-23
All Steel	B11-49

Selection / Dimensions

Type C	
Pillow Block	B11-8
Flanges	B11-12
Units	B11-14
Take-Ups	B11-16
Hanger Bearings	B11-18

Special Duty

Pillow Blocks	B11-30
Flanges	B11-36
Units	B11-38
Hinged Caps	B11-42
Traction Wheel	B11-45

All Steel

Pillow Blocks	B11-54
Cartridge Units	B11-56

Part Number Index	INDEX-1
-------------------	---------

Key Word Index	KEYWORD-1
----------------	-----------

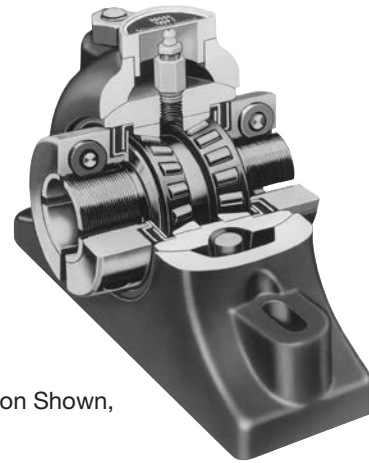


FEATURES/BENEFITS

Specialty Tapered Products

TYPE C

- Positive Concentric Clamp Sleeve Mounting
- Steel Multiple Labyrinth Seals
- 2 Quality Single Row
- Tapered Roller Assemblies
- Rugged Two-Piece Housing
- Elongated Bolt Holes



2-1/2" to 5" NE Construction Shown,
Expansion also Available



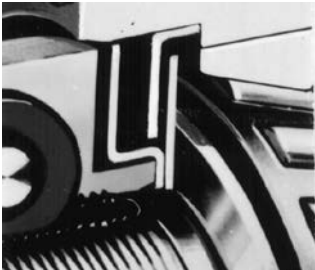
CLAMP SLEEVE MOUNTING -

- Two quality single row tapered bearings press fitted on sleeve
- Outer races shouldered against rib in housing
- Offers improved concentricity over other collar mounted types of bearings
- Best bearing unit for wheel or sprocket applications
- Two piece split collars used on 2-1/2" and larger sizes
- Single piece split collars, used on smaller sizes
- Performs flinger like function keeping many materials away from seal



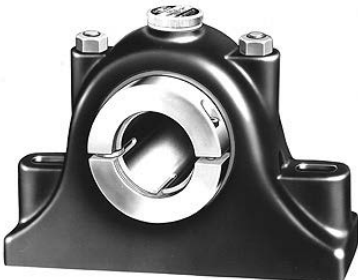
STEEL MULTIPLE LABYRINTH SEALS

- Combine with collars offering excellent resistance to keep contaminants out of the bearing
- Seal bearing both on and off the shaft before, during and after installation
- Especially well suited on applications where dirt and dust are severe



RUGGED TWO PIECE OUTER HOUSING

- Split housing of heavy duty gray iron construction houses completely assembled inner unit
- Elongated bolt holes provide lateral adjustment for ease of installing pillow blocks



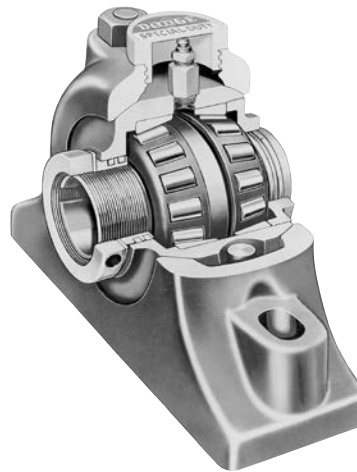
NOTE: Instruction manuals for Dodge bearings are available on www.dodge-pt.com



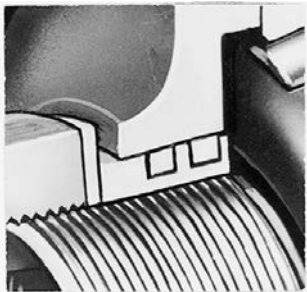
FEATURES/BENEFITS

Specialty Tapered Products SPECIAL DUTY

- Quality Duplex Tapered Roller Bearing
- Tapered Adapter Sleeve Mounting
- Effective Piston Ring Seals
- Rugged Two-Piece Housing
- Elongated Bolt Holes



1-3/8" to 3-1/2" NE Type Construction Shown



SPECIAL DUTY PILLOW BLOCKS DUAL PISTON RING SEALS -

- Contained within self aligning inner unit, to be unaffected by misalignment
- Seal bearing both on and off the shaft before, during and after installation
- Extremely close clearances to exclude most materials from entering bearings



TAPERED ADAPTER SLEEVE MOUNTING

- A split tapered adapter sleeve extending thru the entire length of the pillow block is used to securely fasten the bearing to the shaft tighter than shorter adapter sleeves
- A single adapter nut is used on sizes 3-1/2" and smaller with two adapter nuts being used on the larger sizes. The adapter nut at the large end of the taper can be used to remove the bearing from the shaft

DUPLEX TAPERED ROLLER BEARING

- Uses case hardened inner race, outer races and rollers with adapter sleeve mounting resulting in unsurpassed load handling capability and longer useful bearing life
- Handles any combination of radial and thrust load from 100% radial load to 100% thrust load



RUGGED TWO PIECE OUTER HOUSING

- Split housing of heavy duty gray iron construction houses completely assembled inner unit
- Elongated bolt holes provide lateral adjustment for ease of installing pillow blocks



FEATURES/BENEFITS

Specialty Tapered Products ALL STEEL

- Quality Duplex Tapered Roller Bearing
- Tapered Adapter Sleeve Mounting
- Dual Piston Ring Seals
- Solid One-Piece Cast Steel Housing



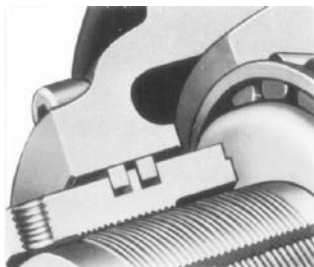
DUPLEX TAPERED ROLLER BEARING

- Uses case hardened inner race, outer races and rollers with adapter sleeve mounting resulting in unsurpassed load handling capability and longer useful bearing life.
- Handles any combination of radial and thrust load from 100% radial load to 100% thrust load



TAPERED ADAPTER SLEEVE MOUNTING

- A split tapered adapter sleeve extending thru the entire length of the pillow block is used to securely fasten the bearing to the shaft tighter than shorter adapter sleeves
- Two ductile iron adapter nuts are used with the All Steel pillow blocks. The adapter nut at the small end of the taper is used to tighten the bearing to the shaft with the adapter nut at the large end of the taper used to remove the bearing from the shaft.



DUAL PISTON RING SEALS

- Dual piston ring seals are housed in accurately machined grooves in the adapter nuts resulting efficient labyrinth sealing action throughout the full range of misalignment.
- Seal bearing both on and off the shaft before, during and after installation



RUGGED TWO PIECE OUTER HOUSING

- Vertically split housing of heavy duty cast steel ribbed construction houses duplex tapered roller bearing.
- Elongated bolt holes provide lateral adjustment for ease of installing pillow blocks



Type C

The standard housing material for Type C mounted bearings is ASTM A48 Class 30 Iron having a minimum tensile strength of 30,000 psi. The outer housings for the pillow blocks and flange bearings are of split construction for ease of replacement of the completely assembled, adjusted and lubricated inner units. The housings for the take-ups, hanger bearings, D, S-1 and B-1 units are of solid one piece construction. Pillow blocks and flange bearings are available in both expansion and non-expansion styles. Take up and hanger bearings are available as non expansion only.

The Type C mounted bearing has indirect mounted tapered roller bearings press fitted on a common sleeve with the outer race shouldered against a rib in the housing. The tapered roller

bearings used in the Type C mounted bearings all have case carburized inner races (cones), outer races (cups) and rollers.

The Type C bearing is mounted to the shaft by clamping the sleeve to the shaft at the slotted threaded end of the sleeve with flinger collars. These collars are one piece construction for sizes thru 2-1/2", with larger sizes using collars of two piece construction. The bearing rating for the type C is determined by the sleeve resulting in a L₁₀ life at maximum speed of at least 100,000 hours.

Steel multiple labyrinth seals are used to offer extra resistance to keep contaminants out of the bearing before, during, and after installation.

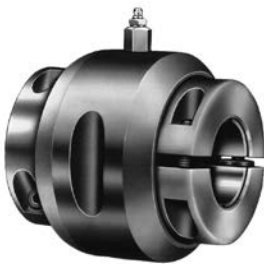
TYPE C AVAILABLE IN

PILLOW BLOCKS, 2 BOLT BASE	1-3/16" TO 3-7/16"
PILLOW BLOCKS, 4 BOLT	2-3/8" TO 4-15/16"
FLANGE BEARINGS 4 BOLT	1-3/16" TO 3-7/16"
ALL IN EITHER EXPANSION OR NON-EXPANSION	



HANGER BEARINGS
TAKE-UP BEARINGS

1-15/16" TO 3-7/16"
1-3/16" TO 2-15/16"



D, S-1 OR B-1 UNITS 1-3/16" TO 4-15/16"

FEATURES/BENEFITS PAGE B11-2	HOW TO ORDER/NOMENCLATURE PAGE B11-6	EASY SELECTION PAGE B11-7	SELECTION/DIMENSIONS PAGE B11-8
---------------------------------	---	------------------------------	------------------------------------



HOW TO ORDER/NOMENCLATURE

Bearing Reference Guide

E-Family Roller Bearings

Specialty Tapered Products

S-2000

UNISPHERE II

IMPERIAL

UNIFIED SAF

HOW TO ORDER Type C

There are two ways to specify DODGE Bearings. Most of the product offering have part numbers with listings shown throughout this catalog. Use of part numbers ensures accurate order processing.

When part numbers are not shown, the product may be specified by description or part name. This method is used when ordering units that include modifications or options. To order by description, use the nomenclature key shown below and add any special instructions to the end of the description for options not covered by the nomenclature.

Special Bearing Requirements And Special Lubricants

DODGE Type C Bearings are factory adjusted and pre-lubricated. For applications where extreme ambient temperatures, high speeds or high loads are expected, a variety of specialty lubricants and adjustments are available. Standard

grease provided is Mobil Grease XHP222. Special lubricant options usually involve set-up charges and premiums. To order, specify type of lubricant required at the end of the product name or after the standard part number.

Example:

065294 except with Mobil Grease HTS #2 grease

or

P2B-C-207 except with Mobil Grease HTS #2 grease

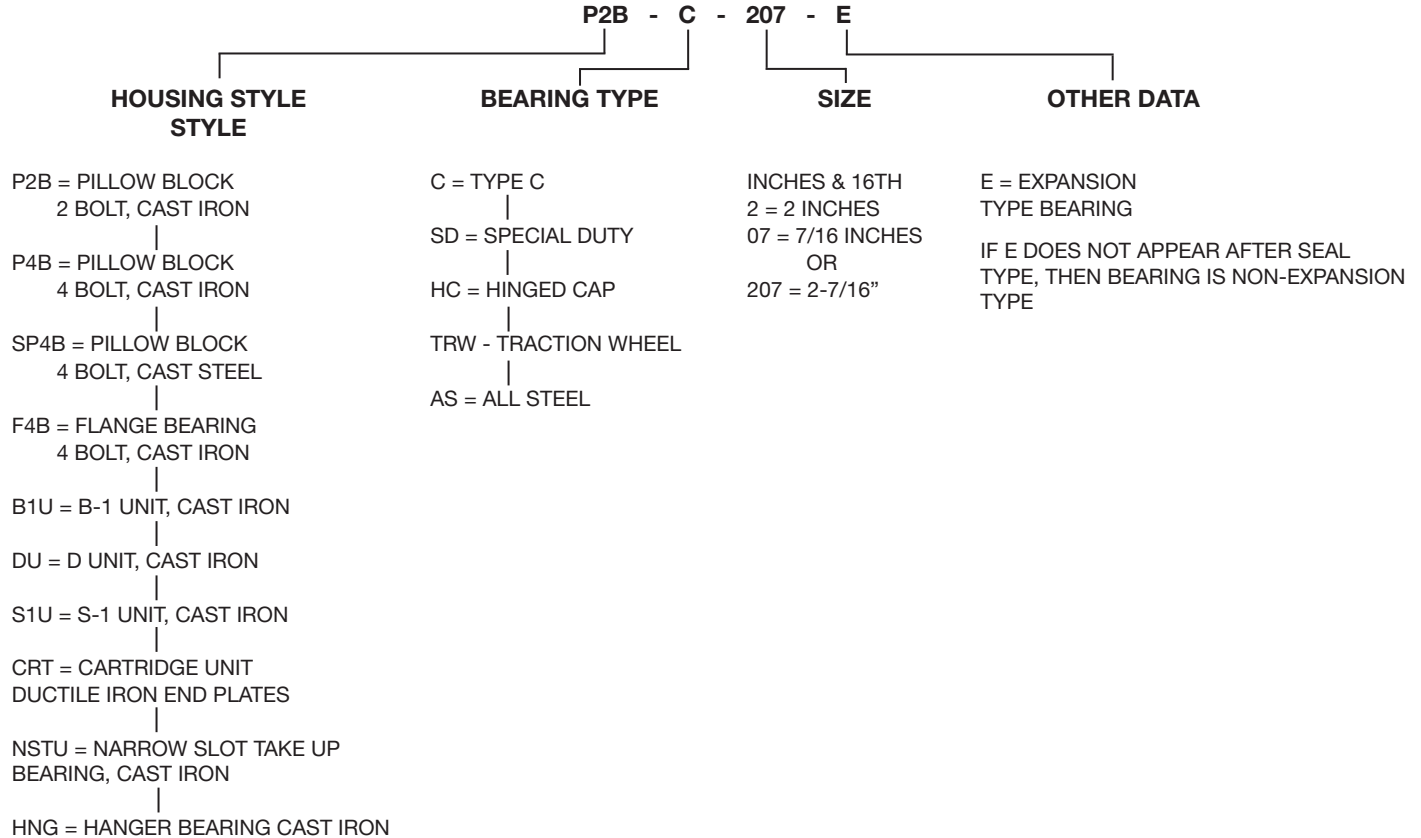
Other Special Requirements Not Listed

For applications requiring modifications not listed, we encourage you to contact our Customer Order Engineering Department for Bearings at 864-284-5700.

NOMENCLATURE

Specialty Tapered Products

Type C, Special Duty and All Steel



FEATURES/BENEFITS PAGE B11-2	SPECIFICATIONS PAGE B11-5	SELECTION PAGE B11-7	SELECTION/DIMENSIONS PAGE B11-8
---------------------------------	------------------------------	-------------------------	------------------------------------



SELECTION

Type C

Type C Bearing

The capacity of the Type C bearing is designed to handle loads normally imposed on the shaft. However, due to the assembly method and method of fastening the bearing to the shaft, there are necessary clearances between the sleeve and the shaft except at the two ends. Consequently, under heavy loads a flexing and stressing of the sleeve will take place as the shaft rotates. For this reason, the Radial Load Ratings shown in Table 1 are based on the sleeve capacity under maximum clearance conditions rather than on the capacity of the roller bearings themselves.

Sleeve capacity being independent of speed, the table gives maximum recommended bearing loads at all allowable speeds

and is based on the use of shafting tolerances from Table 18 on page B20-14.

Type C bearings are primarily utilized on radial load applications. They have ample thrust capacity for use as the locating bearing normally encountered with this type service. If heavy thrust loads are involved, Application Engineering should be contacted for a review of the application. The maximum thrust load should not exceed Type C pillow block limits shown in Table 3.

Since these ratings are considerably less than the base bearing ratings, the resulting life expectancy is, for all practical purposes, contingent only on proper lubrication.

Table 1: Type C Radial Load Ratings

Shaft Size Inches	Radial Load Rating (Lbs.) *	Max. RPM	Shaft Size Inches	Radial Load Rating (Lbs.) *	Max. RPM
1-3/16 - 1-7/16	725	3000	2-1/2 - 2-15/16	3000	1750
1-1/2 - 1-3/4	1000	3000	3 - 3-7/16	4000	1500
1-15/16	1350	2500	3-1/2 - 4	5500	1250
2 - 2-1/4	1700	2500	4-7/16 - 4-1/2	6500	1000
2-3/8 - 2-7/16	2100	2000	4-15/16 - 5	7500	750

* More than 100,000 L₁₀ hours life at Max. RPM listed.

Table 2: Type C Expansion Capability, Inches

Shaft Size, Inches	Type C		
	2-Bolt Pillow Block	4-Bolt Pillow Block	Flange
1-3/16 - 1-7/16	3/16	--	3/16
1-1/2 - 1-3/4	5/8	--	1/4
1-15/16	5/8	--	1/4
2 - 2-1/4	5/8	--	1/4
2-3/8 - 2-7/16	5/8	5/8	1/4
2-1/2 - 2-15/16	3/4	5/8	5/8
3 - 3-7/16	3/4	3/4	1/4
3-1/2 - 4	--	3/4	1/4
4-7/16 - 4-1/2	--	3/4	5/8
4-15/16 - 5	--	3/4	5/8

Table 3: Type C Pillow Block Permissible Thrust Load

Shaft Size, Inches	Thrust loads, lbs		Shaft Size, Inches	Thrust loads, lbs	
	2-Bolt	4-Bolt		2-Bolt	4-Bolt
1-3/16 - 1-7/16	3000	--	2-1/2 - 2-15/16	6900	9300
1-1/2 - 1-3/4	3150	--	3 - 3-7/16	5700	12000
1-15/16	5000	--	3-1/2 - 4	--	12000
2 - 2-3/16	5000	--	4-7/16 - 4-1/2	--	12000
2-3/8 - 2-7/16	7300	10000	4-15/16 - 5	--	16500

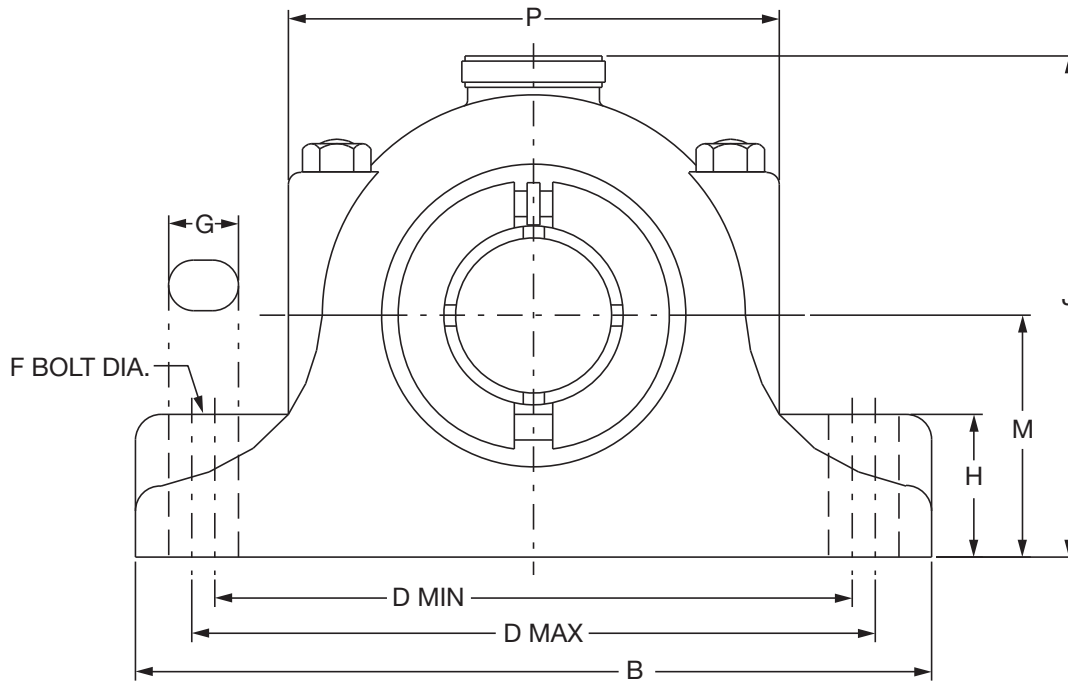
* The limits in above apply to pillow blocks. For thrust loads larger than listed or heavy thrust loading on other style housings, contact DODGE Engineering for recommendation.

FEATURES/BENEFITS PAGE B11-2	SPECIFICATIONS PAGE B11-5	HOW TO ORDER/NOMENCLATURE PAGE B11-6	SELECTION/DIMENSIONS PAGE B11-8
---------------------------------	------------------------------	---	------------------------------------

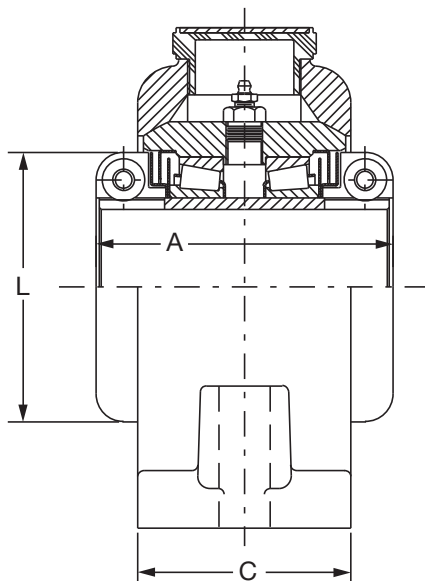
SELECTION/DIMENSIONS



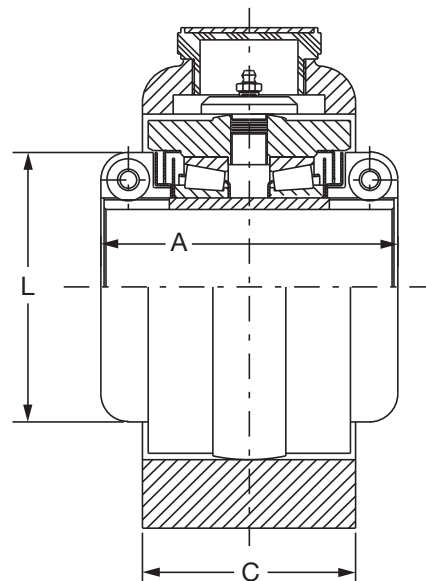
Type C Pillow Block - Inch 2-BOLT BASE



NOTE: All sizes use a 1/8 - 27 NPT hydraulic grease fitting



NON-EXPANSION CONSTRUCTION



EXPANSION CONSTRUCTION

<p>FEATURES/BENEFITS PAGE B11-2</p>	<p>SPECIFICATIONS PAGE B11-5</p>	<p>HOW TO ORDER/NOMENCLATURE PAGE B11-6</p>	<p>SELECTION PAGE B11-7</p>
---	--------------------------------------	---	---------------------------------

SELECTION/DIMENSIONS



Type C Pillow Block - Inch 2-BOLT BASE

Gray Iron Non-Expansion*				Gray Iron Expansion			
Shaft Size Inches#	Part Number	Part Name	Weight Lbs (Approx)	Shaft Size Inches#	Part Number	Part Name	Weight Lbs (Approx)
1-3/16	065289	P2B-C-103	21	1-3/16	087262	P2B-C-103E	22
1-1/4	065311	P2B-C-104	20	1-1/4	087263	P2B-C-104E	22
1-7/16	065290	P2B-C-107	20	1-7/16	087180	P2B-C-107E	20
1-1/2	065312	P2B-C-108	28	1-1/2	087264	P2B-C-108E	28
1-11/16	065291	P2B-C-111	28	1-11/16	087181	P2B-C-111E	28
1-3/4	065238	P2B-C-112	26	1-3/4	087172	P2B-C-112E	28
1-15/16	065292	P2B-C-115	29	1-15/16	087182	P2B-C-115E	29
2	065313	P2B-C-200	47	2	087265	P2B-C-200E	49
2-3/16	065293	P2B-C-203	47	2-3/16	087183	P2B-C-203E	49
2-1/4	065314	P2B-C-204	47	2-1/4	087266	P2B-C-204E	49
2-7/16	065294	P2B-C-207	57	2-7/16	087184	P2B-C-207E	57
2-1/2	065315	P2B-C-208	83	2-1/2	087267	P2B-C-208E	90
2-11/16	065295	P2B-C-211	83	2-11/16	087185	P2B-C-211E	90
2-7/8	065244	P2B-C-214	83	2-7/8	087178	P2B-C-214E	90
2-15/16	065296	P2B-C-215	83	2-15/16	087186	P2B-C-215E	90
3	065316	P2B-C-300	132	3	087268	P2B-C-300E	135
3-3/16	065317	P2B-C-303	132	3-3/16	087269	P2B-C-303E	135
3-7/16	065297	P2B-C-307	128	3-7/16	087187	P2B-C-307E	131

* Furnished Unless Otherwise Specified

Consult Dodge For Sizes Not Listed.

Consult Dodge For Sizes Not Listed.

Shaft Size Inches	A	B*	C*	D		F Bolt Dia.	G*	H*	J	L Δ	M	P*	EXP**
				Min.	Max.								
1-3/16													
1-1/4	4.50	9.00	3.00	6.88	7.63	1/2	1.00	2.13	6.25	3.09	2.88	5.88	3/16
1-7/16													
1-1/2													
1-11/16	4.88	9.50	3.38	7.38	8.13	1/2	0.81	2.38	6.81	3.50	3.13	6.50	5/8
1-3/4													
1-15/16	5.25	11.00	3.50	8.50	9.00	5/8	1.25	2.50	7.13	3.88	3.25	7.38	5/8
2													
2-3/16	5.75	12.00	4.00	9.25	10.25	5/8	1.18	2.88	8.00	4.38	3.75	8.00	5/8
2-1/4													
2-7/16	6.00	13.25	4.25	10.13	11.38	3/4	1.50	3.00	8.56	4.66	4.00	8.88	5/8
2-1/2													
2-11/16	6.50	14.25	4.75	11.13	12.38	3/4	1.50	3.75	9.88	5.44	4.75	9.88	3/4
2-7/8													
2-15/16													
3													
3-3/16	7.00	16.75	5.50	13.75	14.25	7/8	1.50	4.00	11.38	5.94	5.50	11.63	3/4
3-7/16													

NOTE: All sizes use a 1/8 - 27 NPT hydraulic grease fitting

* These Are As Cast Surfaces. Dimensions May Fluctuate Due To Draft Angles And Pattern Shifts

Δ A One-piece Collar Furnished Up Thru 2-7/16 Sizes. Larger Sizes Use A Two-piece Collar.

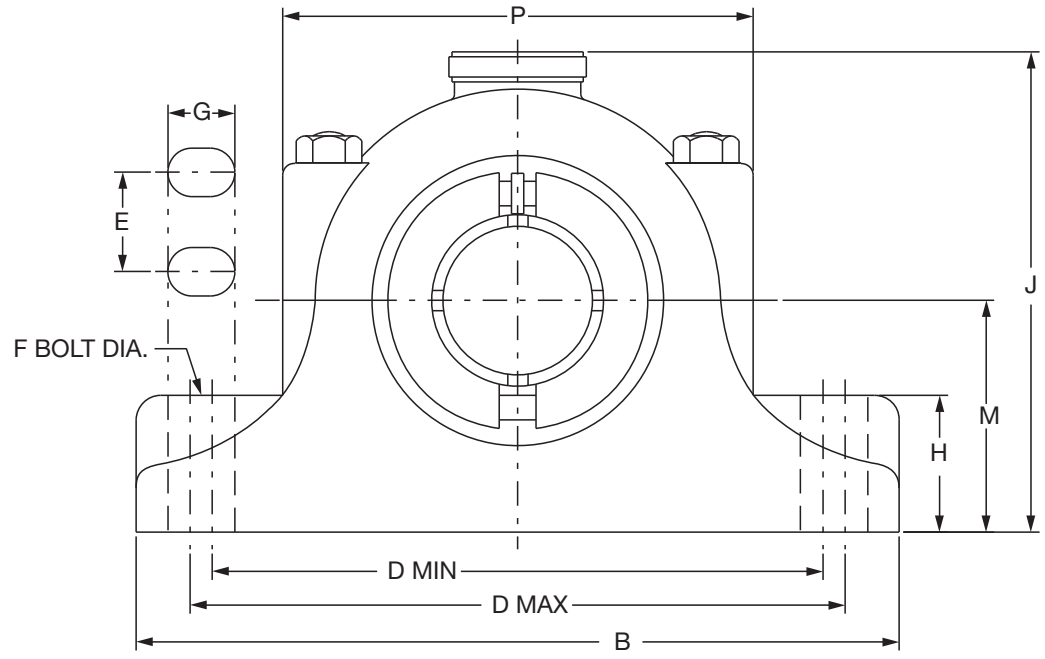
** EXP - Total Expansion For Expansion Bearing Only

FEATURES/BENEFITS PAGE B11-2	SPECIFICATIONS PAGE B11-5	HOW TO ORDER/NOMENCLATURE PAGE B11-6	SELECTION PAGE B11-7
---------------------------------	------------------------------	---	-------------------------

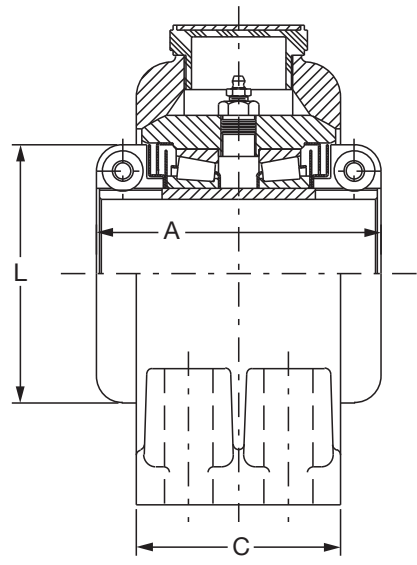
SELECTION/DIMENSIONS



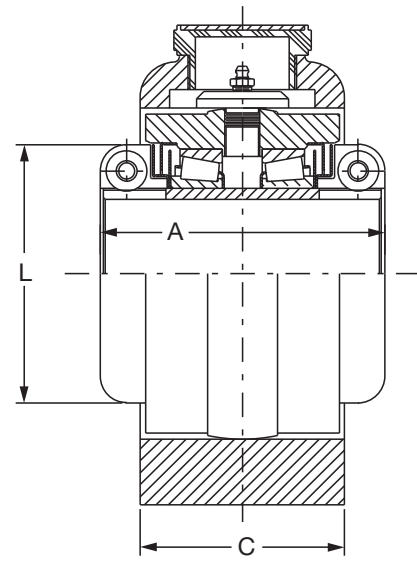
Type C Pillow Block - Inch 4-BOLT BASE



NOTE: All sizes use a 1/8 - 27 NPT hydraulic grease fitting



NON-EXPANSION CONSTRUCTION



EXPANSION CONSTRUCTION

FEATURES/BENEFITS PAGE B11-2	SPECIFICATIONS PAGE B11-5	HOW TO ORDER/NOMENCLATURE PAGE B11-6	SELECTION PAGE B11-7
---------------------------------	------------------------------	---	-------------------------

SELECTION/DIMENSIONS



Type C Pillow Block - Inch 4-BOLT BASE

Gray Iron Non-Expansion*				Gray Iron Expansion			
Shaft Size Inches#	Part Number	Part Name	Weight Lbs (Approx)	Shaft Size Inches#	Part Number	Part Name	Weight Lbs (Approx)
2-7/16	065310	P4B-C-207	59	2-7/16	087191	P4B-C-207E	59
2-15/16	065302	P4B-C-215	85	2-15/16	087192	P4B-C-215E	85
3-7/16	065303	P4B-C-307	130	3-7/16	087193	P4B-C-307E	135
3-15/16	065298	P4B-C-315	230	3-15/16	087188	P4B-C-315E	230
4-7/16	065299	P4B-C-407	280	4-7/16	087189	P4B-C-407E	290
4-15/16	065300	P4B-C-415	370	4-15/16	087190	P4B-C-415E	380

* Furnished Unless Otherwise Specified

Consult Dodge For Sizes Not Listed.

Consult Dodge For Sizes Not Listed.

Shaft Size Inches	A	B*	C*	D		E	F Bolt Dia.	G*	H*	J	L Δ	M	P*	Exp**
				Min.	Max.									
2-7/16	6.00	13.25	4.25	10.00	11.50	2.50	5/8	1.50	3.00	8.50	4.66	4.00	8.88	5/8
2-15/16	6.50	14.25	4.75	11.00	12.50	2.75	5/8	1.50	3.75	9.88	5.44	4.75	9.88	5/8
3-7/16	7.00	16.75	5.50	12.88	14.63	3.25	3/4	1.50	4.00	11.38	5.94	5.50	11.63	3/4
3-15/16	9.50	19.00	7.00	15.00	16.00	3.25	7/8	1.50	4.00	13.38	7.38	6.38	13.88	3/4
4-7/16	10.00	20.00	7.50	15.63	17.38	3.50	7/8	1.88	4.00	14.50	8.38	7.25	15.25	3/4
4-15/16	11.25	23.00	8.25	17.75	19.75	3.75	1	2.13	4.25	15.63	9.38	7.50	16.75	3/4

NOTE: All sizes use a 1/8 - 27 NPT hydraulic grease fitting

Δ A One-piece Collar Furnished Up Thru 2-7/16 Sizes. Larger Sizes Use A Two-piece Collar.

* These Are As Cast Surfaces. Dimensions May Fluctuate Due To Draft Angles And Pattern Shifts

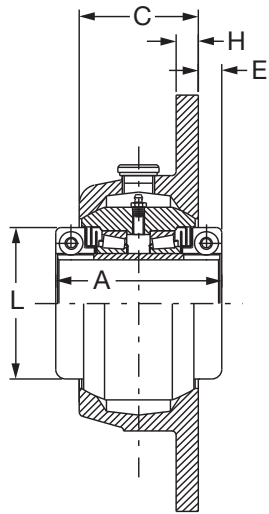
** EXP - Total Expansion For Expansion Bearing Only

FEATURES/BENEFITS PAGE B11-2	SPECIFICATIONS PAGE B11-5	HOW TO ORDER/NOMENCLATURE PAGE B11-6	SELECTION PAGE B11-7
---------------------------------	------------------------------	---	-------------------------

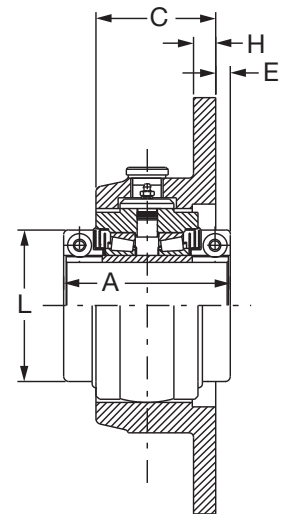
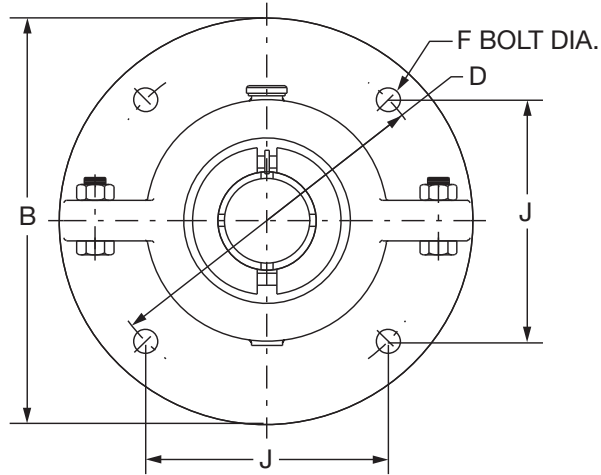
SELECTION/DIMENSIONS



Type C Flange Bearing - Inch



NON-EXPANSION CONSTRUCTION



EXPANSION CONSTRUCTION

<p>FEATURES/BENEFITS PAGE B11-2</p>	<p>SPECIFICATIONS PAGE B11-5</p>	<p>HOW TO ORDER/NOMENCLATURE PAGE B11-6</p>	<p>SELECTION PAGE B11-7</p>
---	--------------------------------------	---	---------------------------------

SELECTION/DIMENSIONS



Type C Flange Bearing - Inch

Gray Iron Non-Expansion*				Gray Iron Expansion			
Shaft Size Inches#	Part Number	Part Name	Weight Lbs (Approx)	Shaft Size Inches#	Part Number	Part Name	Weight Lbs (Approx)
1-7/16	104040	F4B-C-107	21	1-7/16	104050	F4B-C-107E	21
1-11/16	104041	F4B-C-111	31	1-11/16	104051	F4B-C-111E	31
1-3/4	104106	F4B-C-112	31	1-3/4	104078	F4B-C-112E	31
1-15/16	104042	F4B-C-115	37	1-15/16	104052	F4B-C-115E	38
2-3/16	104043	F4B-C-203	49	2-3/16	104053	F4B-C-203E	49
2-7/16	104044	F4B-C-207	63	2-7/16	104054	F4B-C-207E	63
2-15/16	104045	F4B-C-215	98	2-15/16	104055	F4B-C-215E	98
3	104119	F4B-C-300	140	3	104090	F4B-C-300E	140
3-7/16	104046	F4B-C-307	140	3-7/16	104056	F4B-C-307E	140

* Furnished Unless Otherwise Specified

Consult Dodge For Sizes Not Listed.

Consult Dodge For Sizes Not Listed.

Shaft Size Inches	A	B	C	D	E	F Bolt Dia.	H	J	L Δ	Exp*
1-7/16	4.50	8.25	3.00	7.00	0.75	1/2	0.63	4.95	3.09	3/16
1-11/16	4.88	9.00	3.38	7.63	0.75	1/2	0.69	5.39	3.50	1/4
1-3/4	5.25	10.00	3.50	8.38	0.88	5/8	0.75	5.92	3.88	1/4
1-15/16	5.75	10.75	4.00	9.13	0.88	5/8	0.81	6.45	4.38	1/4
2-3/16	6.00	12.00	4.25	10.25	0.88	3/4	0.88	7.25	4.66	1/4
2-7/16	6.50	13.00	4.63	11.25	0.94	3/4	1.00	7.96	5.44	5/8
3	7	14.50	5.375	12.5	0.81	7/8	1.13	8.839	5.94	1/4
3-7/16										

Δ A One-Piece Collar Furnished Up Thru 2-7/16 Sizes.

Larger Sizes Use A Two-Piece Collar.

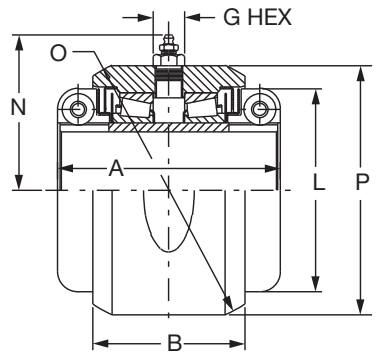
* EXP - Total Expansion For Expansion Bearing Only.

FEATURES/BENEFITS PAGE B11-2	SPECIFICATIONS PAGE B11-5	HOW TO ORDER/NOMENCLATURE PAGE B11-6	SELECTION PAGE B11-7
---------------------------------	------------------------------	---	-------------------------

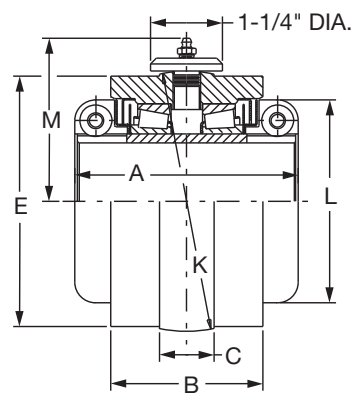
SELECTION/DIMENSIONS



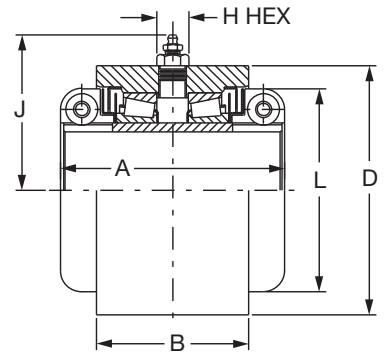
Type C Units - Inch



D UNIT
USED IN NON-EXPANSION HOUSINGS



S-1 UNIT
USED IN EXPANSION HOUSINGS



B-1 UNIT
USED IN CUSTOMER MANUFACTURED HOUSINGS

Type C Units - Inches

Shaft Size Inches #	D Units		S-1 Units		B-1 Units		Weight Lbs (Approx)
	Part Number	Part Name	Part Number	Part Name	Part Number	Part Name	
1-7/16	065282	DU-C-107	087199	S1U-C-107	069060	B1U-C-107	7
1-1/2	065258	DU-C-108	087205	S1U-C-108	----	----	11
1-11/16	065283	DU-C-111	087200	S1U-C-111	069061	B1U-C-111	11
1-3/4	065260	DU-C-112	087207	S1U-C-112	----	----	11
1-15/16	065284	DU-C-115	087194	S1U-C-115	069062	B1U-C-115	12
2	065262	DU-C-200	087209	S1U-C-200	069034	B1U-C-200	18
2-3/16	065285	DU-C-203	087195	S1U-C-203	069063	B1U-C-203	17
2-1/4	065265	DU-C-204	087215	S1U-C-204	----	----	17
2-7/16	065286	DU-C-207	087196	S1U-C-207	069064	B1U-C-207	20
2-1/2	----	----	----	----	069039	B1U-C-208	35
2-11/16	065268	DU-C-211	087218	S1U-C-211	----	----	34
2-7/8	065270	DU-C-214	087220	S1U-C-214	----	----	34
2-15/16	065287	DU-C-215	087197	S1U-C-215	069065	B1U-C-215	34
3	065271	DU-C-300	087221	S1U-C-300	----	----	55
3-3/16	----	----	087222	S1U-C-303	069045	B1U-C-303	53
3-1/4	----	----	----	----	069046	B1U-C-304	53
3-7/16	065288	DU-C-307	087198	S1U-C-307	069066	B1U-C-307	51
3-1/2	065274	DU-C-308	087224	S1U-C-308	----	----	115
3-11/16	----	----	087225	S1U-C-311	----	----	115
3-15/16	065304	DU-C-315	087210	S1U-C-315	069067	B1U-C-315	115
4	----	----	----	----	069069	B1U-C-400	115
4-7/16	065305	DU-C-407	087211	S1U-C-407	----	----	138
4-15/16	065306	DU-C-415	087212	S1U-C-415	----	----	190

#Consult Dodge For Sizes Not Listed.

FEATURES/BENEFITS PAGE B11-2	SPECIFICATIONS PAGE B11-5	HOW TO ORDER/NOMENCLATURE PAGE B11-6	SELECTION PAGE B11-7
---------------------------------	------------------------------	---	-------------------------

SELECTION/DIMENSIONS



Type C Units - Inch

Bearing Reference Guide

E-Family Roller Bearings

Specialty Tapered Products

S-2000

UNISPHERE II

IMPERIAL

UNIFIED SAF

Shaft Size Inches	A	B	C	D**	E	G Hex	H Hex	J	K	L	M	N	O**	P
1-7/16	4.50	2.69	0.75	3.875	3.81	7/16	5/8	3.13	4.062	3.09	2.69	2.50	4.438	3.94
1-1/2														
1-11/16	4.88	3.13	0.75	4.250	4.13	7/16	5/8	3.31	4.438	3.50	2.88	2.75	5.000	4.50
1-3/4														
1-15/16	5.25	3.25	0.88	4.750	4.50	7/16	5/8	3.56	4.812	3.88	3.06	2.88	5.312	4.75
2														
2-3/16	5.75	3.75	0.88	5.250	5.00	7/16	5/8	3.81	5.375	4.38	5.31	3.19	6.000	5.38
2-1/4														
2-7/16	6.00	4.00	1.00	5.750	5.31	5/8	5/8	4.06	5.687	4.66	3.80	4.09	6.375	5.69
2-1/2														
2-11/16	6.50	4.44	1.00	6.500	6.19	5/8	3/4	4.63	6.562	5.44	4.50	4.50	7.312	6.50
2-7/8														
2-15/16														
3														
3-3/16	7.00	5.00	1.25	7.750	7.50	5/8	3/4	5.25	8.000	5.94	4.88	5.56	8.625	7.91
3-1/4														
3-7/16														
3-1/2														
3-11/16	9.50	6.25	1.50	9.250	8.81	5/8	3/4	6.00	9.500	7.38	5.63	6.38	10.250	9.75
3-15/16														
4														
4-7/16	10.00	6.63	1.75	10.500	9.84	3/4	3/4	6.63	10.625	8.38	6.19	6.89	11.125	10.38
4-15/16	11.25	7.38	2.00	11.750	10.84	3/4	3/4	7.25	11.500	9.38	6.63	7.44	12.500	11.88

NOTE: All sizes use a 1/8 - 27 NPT hydraulic grease fitting

Δ A One-Piece Collar Furnished Up Thru 2-7/16 Sizes. Larger Sizes Use A Two-Piece Collar

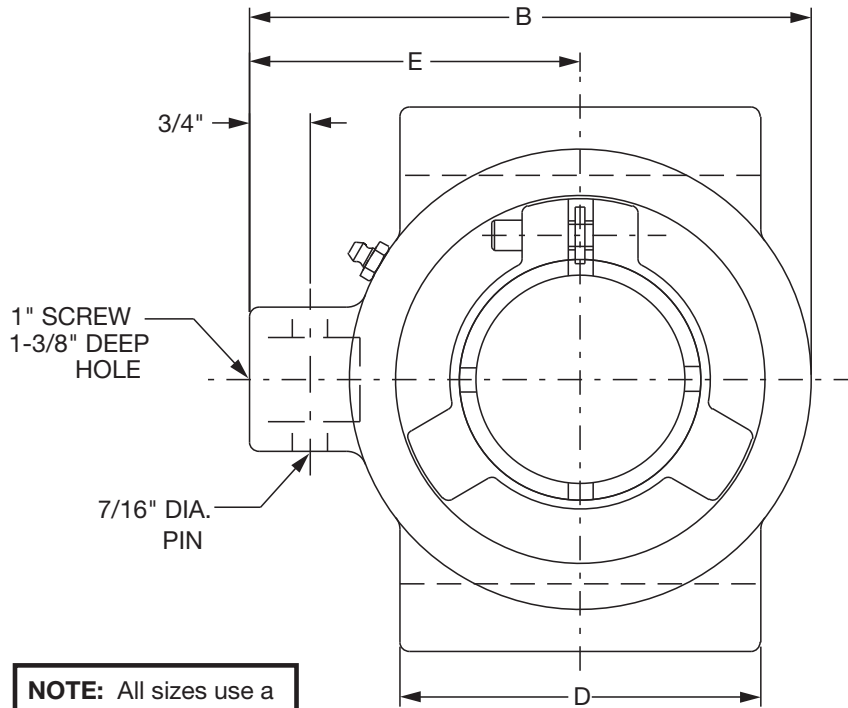
** + .000 - .002

FEATURES/BENEFITS PAGE B11-2	SPECIFICATIONS PAGE B11-5	HOW TO ORDER/NOMENCLATURE PAGE B11-6	SELECTION PAGE B11-7
---------------------------------	------------------------------	---	-------------------------

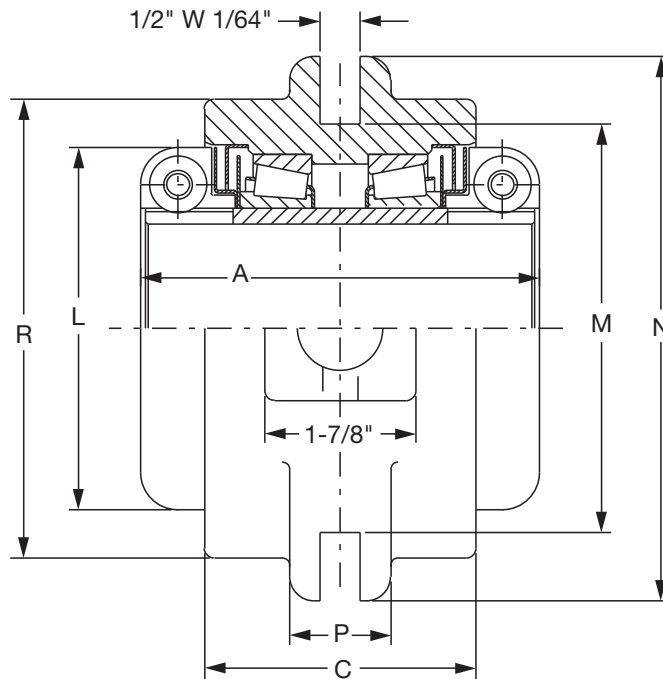
SELECTION/DIMENSIONS



Type C Take-Up Bearing



NOTE: All sizes use a 1/8 - 27 NPT hydraulic grease fitting



<p>FEATURES/BENEFITS PAGE B11-2</p>	<p>SPECIFICATIONS PAGE B11-5</p>	<p>HOW TO ORDER/NOMENCLATURE PAGE B11-6</p>	<p>SELECTION PAGE B11-7</p>
---	--------------------------------------	---	---------------------------------

SELECTION/DIMENSIONS



Type C Take-Up Bearing

Gray Iron			
Shaft Size Inches #	Part Number	Part Name	Weight Lbs (Approx)
1-7/16	036116	NSTU-C-107	12
1-1/2	036054	NSTU-C-108	15
1-15/16	036118	NSTU-C-115	18
2-3/16	036119	NSTU-C-203	26
2-7/16	036120	NSTU-C-207	27
2-15/16	036121	NSTU-C-215	37

Consult Dodge For Sizes Not Listed.

Shaft Size Inches	A	B	C	D	E	L	M	N	P	R
1-7/16	4.50	5.63	2.69	2.50	3.63	3.08	5.13	6.25	1.25	4.00
1-1/2	4.88	5.88	3.13	3.00	3.63	3.50	5.13	6.25	1.25	4.25
1-15/16	5.25	6.00	3.25	3.50	3.63	3.88	5.13	6.25	1.25	4.75
2-3/16	5.75	7.00	3.75	4.50	4.63	4.38	5.13	6.25	1.25	5.75
2-7/16	6.00	7.00	4.00	4.50	4.63	4.66	5.13	6.25	1.25	5.75
2-15/16	6.50	7.75	4.44	5.00	4.50	5.44	6.13	7.25	1.25	6.50

Note: All sizes use a 1/8-27 NPT hydraulic grease fitting

Bearing Reference Guide

E-Family Roller Bearings

Specialty Tapered Products

S-2000

UNISPHERE II

IMPERIAL

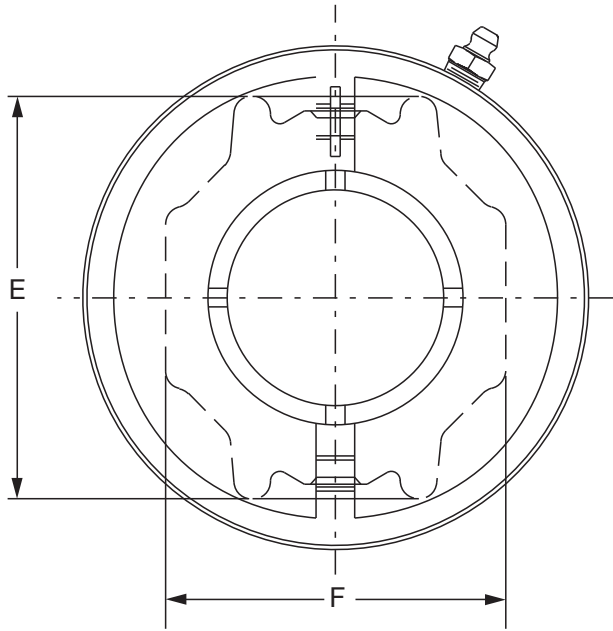
UNIFIED SAF

FEATURES/BENEFITS PAGE B11-2	SPECIFICATIONS PAGE B11-5	HOW TO ORDER/NOMENCLATURE PAGE B11-6	SELECTION PAGE B11-7
---------------------------------	------------------------------	---	-------------------------

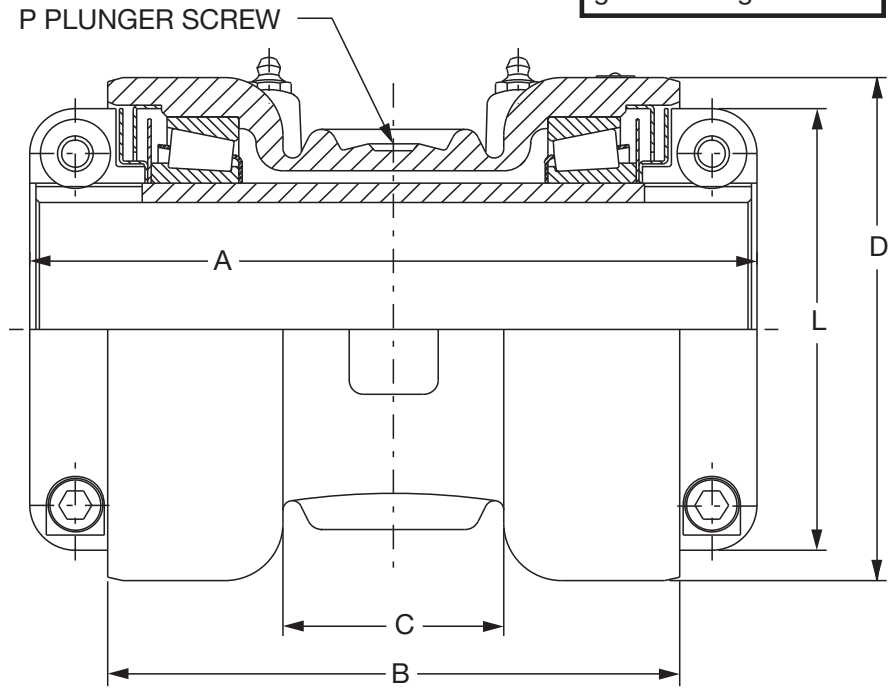
SELECTION/DIMENSIONS



Type C Hanger Bearing



NOTE: All sizes use a 1/8 - 27 NPT hydraulic grease fitting



<p>FEATURES/BENEFITS PAGE B11-2</p>	<p>SPECIFICATIONS PAGE B11-5</p>	<p>HOW TO ORDER/NOMENCLATURE PAGE B11-6</p>	<p>SELECTION PAGE B11-7</p>
---	--------------------------------------	---	---------------------------------



Type C Hanger Bearing

Gray Iron			
Shaft Size Inches #	Part Number	Part Name	Weight Lbs (Approx)
1-15/16	061082	HNG-C-115	16
2-3/16	061083	HNG-C-203	21
2-7/16	061084	HNG-C-207	30
2-11/16	061085	HNG-C-211	41
2-15/16	061086	HNG-C-215	40
3-7/16	061087	HNG-C-307	51

Consult Dodge For Sizes Not Listed.

Shaft Size Inches	A	B	C	D	E	F	L	P
1-15/16	8.25	6.25	2.75	4.63	3.38	2.94	3.88	5/8, 1-1/2
2-3/16	8.88	6.88	3.00	5.13	3.75	3.31	4.38	5/8, 1-1/2
2-7/16	9.63	7.63	3.00	5.38	4.13	3.50	4.66	5/8, 1-1/2
2-11/16	10.38	8.25	3.25	6.25	4.63	4.00	5.44	3/4, 2
2-15/16								
3-7/16	11.25	9.25	4.00	6.75	5.13	4.50	5.94	3/4, 2-1/2

Note: All sizes use a 1/8-27 NPT hydraulic grease fitting

FEATURES/BENEFITS PAGE B11-2	SPECIFICATIONS PAGE B11-5	HOW TO ORDER/NOMENCLATURE PAGE B11-6	SELECTION PAGE B11-7
---------------------------------	------------------------------	---	-------------------------



SPECIFICATION

Special Duty

The standard housing material for Special Duty mounted bearings is ASTM A48 Class 30 Iron having a minimum tensile strength of 30,000 psi. The outer housings for the pillow blocks and flange bearings are of split construction for ease of replacement of the completely assembled, adjusted and lubricated inner units. The housings for the D, S-1 and B-1 units are of solid one piece construction. Pillow blocks and flange bearings are available in both expansion and non expansion types.

Special Duty mounted bearings have duplex tapered roller mounted to the shaft with a tapered adaptor sleeve extending thru the complete length of the pillow block. The tapered roller bearings used in the Special Duty mounted bearings all have case carburized inner races (cone), outer races (cup) and rollers. A single adaptor nut is used on sizes thru 3-1/2" with two adaptor nuts being used on the larger sizes. The nut at the large end of the taper can be used to remove the bearing from the shaft.

Special Duty mounted bearings have two piston ring seals running in grooves in the seal ring carriers at each end of the units to seal the bearings both on and off the shaft. Sizes thru 3-1/2" use a grooved seal ring carrier at one end and grooved adaptor at the opposite end for carrying the piston ring seals. Larger sizes have grooved adaptor nuts to carry the piston ring seals.

SPECIAL DUTY (Hinged Cap Type)

The standard housing material for Special Duty hinged cap bearings is ASTM A48 Class 30 Iron having a minimum tensile strength of 30,000 psi. The housing is equipped with a brass hand wheel for ease of removal of the S-1 unit from the pillow block housing. Hinged cap pillow blocks are available in both expansion and non-expansion types.

Hinged cap pillow blocks and units are mounted to the shaft with a tapered adapter sleeve extending completely thru the unit. The tapered adapter sleeve is equipped with micro mount removal screws for ease of demounting the bearing from the shaft.

The hinged cap pillow blocks are arranged for relubrication from the end of the pillow block rather than from the top of the pillow block. Besides the features specified above the hinged cap pillow blocks have many other features in common with the special duty mounted bearings.

TRACTION WHEEL

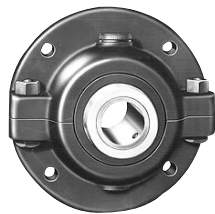
The traction wheel is to be equipped with a ductile iron (ASTM 536 grade 65-45-10) hub, having indirect mounted tapered roller bearings mounted to ASTI 1018 shafting secured in a support and having drops of 7-3/16", 8" and 10". Combination labyrinth and dynaface seals shall be used.

SPECIAL DUTY AVAILABLE IN



Pillow Blocks,
2-Bolt Base
1-3/8" To 3-1/2"

Pillow Blocks,
4-Bolt Base
2-1/4" To 12"



Flange
Bearings
4-Bolt
1-3/16" To 6"



All In Either Expansion Or Non-Expansion D, S1 & B1 Units 1-3/8" To 12"



Hinged Cap Pillow Blocks Available In Pillow Blocks,
2-Bolt Base
1-3/8" To 2-15/16"
All In Either Expansion Or Non-Expansion

Hinged Cap S-1 Units
1-3/8" To 2-15/16"



Traction Wheel

FEATURES/BENEFITS PAGE B11-3	HOW TO ORDER B11-21	SELECTION B11-23	SELECTION/DIMENSIONS PAGE B11-30
---------------------------------	------------------------	---------------------	-------------------------------------



HOW TO ORDER

Special Duty

There are two ways to specify DODGE Bearings. Most of the product offering have part numbers with listings shown throughout this catalog. Use of part numbers ensures accurate order processing.

When part numbers are not shown, the product may be specified by description or part name. This method is used when ordering units that include modifications or options. To order by description, use the nomenclature key shown on the next page and add any special instructions to the end of the description for options not covered by the nomenclature.

SPECIAL BEARING REQUIREMENTS AND LUBRICANTS

DODGE Bearings are factory adjusted and pre-lubricated with lithium based NLGI Grade 2 grease. For applications where extreme ambient temperatures, high speeds or high loads are

expected, a variety of specialty lubricants and adjustments are available. Special lubricant options usually involve set-up charges and premiums. To order, specify type of lubricant required at the end of the product name or after the standard part number.

Example:

066231 except with Mobilith SHC 460 grease and .012-.015 Lateral End Play

or

P4B-SD-215 except with Mobilith SHC 460 grease and .012-.015 Lateral End Play

OTHER SPECIAL REQUIREMENTS NOT LISTED

For applications requiring modifications not listed, we encourage you to contact our Customer Order Engineering Department for Bearings at 864-284-5700.

Bearing Reference Guide

E-Family Roller Bearings

Specialty Tapered Products

S-2000

UNISPHERE II

IMPERIAL

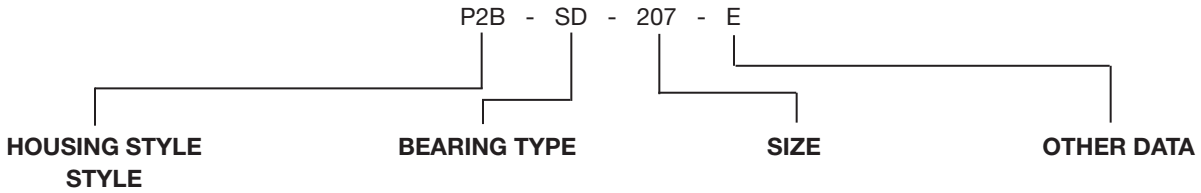
UNIFIED SAF

FEATURES/BENEFITS PAGE B11-3	SPECIFICATION B11-20	SELECTION B11-23	SELECTION/DIMENSIONS PAGE B11-30
---------------------------------	-------------------------	---------------------	-------------------------------------



NOMENCLATURE

Specialty Tapered Products



P2B = PILLOW BLOCK
2 BOLT, CAST IRON

P4B = PILLOW BLOCK
4 BOLT, CAST IRON

SP4B = PILLOW BLOCK
4 BOLT, CAST STEEL

F4B = FLANGE BEARING
4 BOLT, CAST IRON

B1U = B-1 UNIT, CAST IRON

DU = D UNIT, CAST IRON

S1U = S-1 UNIT, CAST IRON

CRT = CARTRIDGE UNIT
DUCTILE IRON END PLATES

NSTU = NARROW SLOT TAKE UP
BEARING, CAST IRON

HNG = HANGER BEARING CAST IRON

C = TYPE C

SD = SPECIAL DUTY

HC = HINGED CAP

TRW - TRACTION WHEEL

AS = ALL STEEL

INCHES & 16TH

2 = 2 INCHES

07 = 7/16 INCHES

OR

207 = 2-7/16"

E = EXPANSION
TYPE BEARING

IF E DOES NOT APPEAR
AFTER SEAL TYPE, THEN
BEARING IS NON-EXPANSION
TYPE



Special Duty

SPECIAL DUTY-DOUBLE ROW TAPERED ROLLER BEARINGS

DODGE Special Duty Double Row Tapered Roller Bearings have the highest capacity of all DODGE Tapered Roller Bearings. They carry heavy radial loads and combined radial and thrust loads. The maximum recommended load which can be applied is limited by various components in the system such as bearing, housing, shaft, shaft attachment, speed and life requirements as listed in this catalog. DODGE Special Duty Tapered Roller Bearings have been applied successfully even when these limits have been exceeded under controlled operating conditions. Contact DODGE Application Engineering (864) 284-5700 for applications which exceed the recommendations of this catalog.

L₁₀ Hours Life* --- The life which may be expected from at least 90% of a given group of bearings operating under identical conditions.

$$L_{10} = \left(\frac{C_{90}}{P} \right)^{10/3} \times \left(\frac{1,500,000}{\text{RPM}} \right)$$

Where:

C_{90} = Dynamic Capacity (Table 4, pg. B11-25), lbs

P = Equivalent Radial Load, lbs.

GENERAL

Heavy Service --- For heavy shock loads, frequent shock loads, or severe vibrations, add up to 50% (according to severity of conditions) to the Equivalent Radial Load. Consult DODGE Application Engineering for additional selection assistance.

Thrust load values shown in the table below are recommended as a guide for general applications that will give adequate L₁₀ life for pillow blocks. The maximum thrust load should not exceed values shown on Table 6. Where substantial radial load is also present, it is advisable to calculate actual L₁₀ life to assure that it meets the requirements. The effectiveness of the shaft attachment to carry thrust load depends on proper tightening, shaft tolerance (see table below) and shaft deflections. Therefore, it is advisable to use auxiliary thrust carrying devices such as shaft shoulder, snap ring or a thrust collar to locate the bearing under thrust loads heavier than shown below, or where extreme reliability is desired.

RPM RANGE	20-200	201-2000	Over 2000
Recommended Thrust Load	C ₉₀ /4	C ₉₀ /8	C ₉₀ /12

The shaft tolerances recommended below are adequate for normal radial and radial/thrust load applications. Since the

allowable load, especially at a low speed, is very large, the shaft should be checked to assure adequate shaft strength.

The magnitude and direction of both the thrust and radial load must be taken into account when selecting a housing. **When pillow blocks are utilized, heavy loads should be directed through the base. Where uplift loads are involved, see Table 9, pg. B11-29 for maximum values.** Where a load pulls the housing away from the mounting base, both the hold-down bolts and housing must be of adequate strength. Auxiliary load carrying devices such as shear bars are advisable for side or end loading of pillow blocks and radial load for flange units.

Shaft Size	Tolerance, Inches
Up To 1-1/2"	+0.000-.002"
1-9/16 To 2-1/2"	+0.000-.003"
2-1/2 To 4"	+0.000-.004"
4-3/16 To 6"	+0.000-.005"
6-7/16 To 8"	+0.000-.006"

L₁₀ Life Adjustment - The calculated L₁₀ Life obtained from this procedure is subject to life adjustment factors in accordance with ABMA standards described on page B16-9. Consult Application Engineering for assistance.

SELECTING BEARINGS SUPPORTING RADIAL LOADS ONLY

1. Define L₁₀ Life Hours desired.
2. Establish bearing radial load, F_R (F_R = P for Pure Radial Load Conditions). The DODGE program BEST can be used to find application loads.
3. Establish RPM.

Using the easy selection Table 5, pg. B11-26 find, under the RPM column, the equivalent radial load that equals or is higher than the application radial load for the desired life. The shaft size on the far left will be the minimum shaft size that you can use for your application. If the desired life is different than the values shown on the chart, use alternate Method A shown below.

Example:

1. L₁₀ Life = 30,000 Hours
2. Radial load = 3800 lbs.
3. RPM = 1,000

At the intersection of the 1,000 RPM column and the 30,000 hours L₁₀ life row, the equivalent radial load of 4362 lbs. Exceeds the 3800 lbs. Radial load for shaft sizes 2-1/8" to 2-1/4". A bearing with bore ranging from 2-1/8" to 2-1/4" may be used for this application.

FEATURES/BENEFITS PAGE B11-3	SPECIFICATION B11-20	SELECTION B11-23	SELECTION/DIMENSIONS PAGE B11-30
---------------------------------	-------------------------	---------------------	-------------------------------------



SELECTION

Special Duty

ALTERNATE METHOD A - SELECTING A BEARING FOR AN L₁₀ LIFE VALUE NOT SHOWN IN THE EASY SELECTION CHART.

The L₁₀ life equation can be rearranged so that the bearing dynamic capacity C is identified in terms of L₁₀, RPM and P.

$$C_{90} = \left(\frac{L_{10} \times \text{RPM}}{1,500,000} \right)^{0.3} \times P$$

(P = F_R for Pure Radial Load Conditions)

Since the L₁₀, RPM, and P are known, solve for C₉₀. Select from the dynamic capacity column on Table 4, pg. B11-25 the C₉₀ value equal to or greater than the C₉₀ value just calculated. The bore size on the far left represents the bore size selection. Check that the application RPM does not exceed the MAX. RPM on Table 4. When selecting an L₁₀ life of less than 30,000 hours, particular attention must be paid to shaft deflection and proper lubricant selection.

SELECTING BEARINGS SUPPORTING COMBINATION RADIAL AND THRUST LOADS

When a bearing supports both a radial load and a thrust load, the loading on the two rows is shared unequally depending on the ratio of thrust to radial load. The use of the X (radial factor) and Y (thrust factor) from Table 4 converts the applied thrust load and radial loads to an equivalent radial load having the same effect on the life of the bearing as a radial load of this magnitude.

The equivalent radial load $P = XF_R + YF_A$

Where:

- P = Equivalent radial load, lbs.
- FR = Radial load, lbs.
- FA = Thrust (axial) load, lbs.
- e = Thrust load to radial load factor (Table 4)
- X = Radial load factor (Table 4)
- Y = Thrust load factor (Table 4)

To find X and Y, calculate FA/FR and compare to e for the selected bore size. Determine X and Y from Table 4, pg. B11-25

depending on whether FA/FR is equal to or less than e, or FA/FR is greater than e. Substitute all known values into the equivalent radial load equation. P (equivalent radial load) can be used in the life formula to determine L₁₀, or it can be compared to the allowable equivalent radial load ratings for the speed and hours life desired in the easy selection Table 5, pg. B11-26 & B11-27.

SELECTING BEARINGS SUPPORTING ONLY THRUST LOADS

Tapered Roller Bearings perform extremely well under pure thrust load applications. Use $P = YF_A$ for the equivalent radial load. The value of Y is obtained from Table 4, pg. B11-25 for $FA/FR > e$. Substitute Y and F_A into the equivalent load equation. P (equivalent radial load) can be used in the life formula to determine L₁₀ or it can be compared to the allowable equivalent radial load ratings for the speed and hours life desired in the easy selection Table 5, pg. B11-26 & B11-27.

LUBRICATION

DODGE Special Duty Tapered Roller Bearings are lubricated at the factory with Mobilgrease XHP222. This grease will adequately handle low and medium speeds with low and medium loads at normal temperatures as defined on Table 8, pg. B11-29 For very low and high speeds, for heavy loads and for low and high temperatures, special greases must be used. Contact DODGE Application Engineering (864) 284-5700. DODGE engineers will recommend bearings and lubricants for the above unusual conditions. DODGE also has the expertise to custom design and build special bearings for your needs. The only maintenance requirement for DODGE Tapered Roller Bearings is periodic relubrication at regular intervals as outlined in the appropriate instruction manuals.

INSTALLATION AND MAINTENANCE

In nearly all applications good design practice requires two bearings supporting the shaft. In cases where three or more bearings are installed, unless precautions are taken to line the bearings up, both vertically and horizontally, it is possible to induce heavy loads. In the case of two bearings, alignment is not as critical, especially with DODGE Special Duty Tapered Roller Bearings. Special Duty bearings are designed to allow as

The DODGE Bearing Evaluation and Selection Technique (BEST) is a menu driven computer program that calculates bearing loads, fatigue life and operating temperature for a two bearing shaft system based on user supplied input parameters. This interactive program is available at www.ptwizd.com under the Product Selection area.

FEATURES/BENEFITS PAGE B11-3	SPECIFICATION B11-20	SELECTION B11-23	SELECTION/DIMENSIONS PAGE B11-30
---------------------------------	-------------------------	---------------------	-------------------------------------



Special Duty

much as 2° to 5° of static misalignment up to 8" bore size. 1° to 1.5° for bore sizes greater than 8". To ensure good alignment, mounting surfaces must be checked for flatness and must lie in the same plane. When tightening base bolts and cap bolts, each

bolt should be alternately tightened in incremental torque values until full torque is achieved to prevent the angular shifting of the pillow block that occurs when one bolt is tightened to its full torque. Shimming may be required to minimize misalignment.

Table 4: Special Duty Roller Bearings Radial/Thrust Factors

Bore Size	e	F _A /F _R ≤ e		F _A /F _R ≥ e		Dynamic Capacity C ₉₀ (TS)		Maximum RPM
		X	Y	X	Y	LBS.	NEWTONS	
1-3/8 to 1-11/2	0.31	1	0	0.40	1.97	7,717	34,337	3250
1-9/16 to 1-3/4	0.43	1	0	0.40	1.39	8,177	36,373	2900
1-7/8 to 2	0.46	1	0	0.40	1.31	8,266	36,769	2700
2-1/8 to 2-1/4	0.49	1	0	0.40	1.23	10,716	47,681	2300
2-3/8 to 2-1/2	0.51	1	0	0.40	1.18	11,010	48,990	2180
2-5/8 to 3	0.27	1	0	0.40	2.23	21,331	94,912	1830
3-3/16 to 3-1/2	0.43	1	0	0.40	1.39	23,553	104,800	1510
3-11/16 to 4	0.43	1	0	0.40	1.41	35,145	156,380	1330
4-7/16 to 4-1/2	0.49	1	0	0.40	1.23	35,145	156,380	1120
4-15/16 to 5	0.46	1	0	0.40	1.31	43,550	214,339	1040
5-7/16 to 6	0.48	0.87	1.80	0.70	2.18	62,000	275,873	860
6-1/2 to 7	0.54	0.87	1.61	0.70	1.95	68,700	305,685	760
7-15/16 to 8	0.34	0.87	2.55	0.70	3.08	79,200	352,406	700
8-1/2 to 10	0.45	0.87	1.90	0.70	2.30	76,500	340,392	550
11 to 12	0.34	0.87	2.53	0.70	3.06	124,000	551,746	490

COMPARING SPHERICAL TO TAPER ROLLER BEARING

The dynamic capacity C (spherical) and C₉₀ (taper) are not to the same base.

To compare basic dynamic capacities, multiply C x .259 and compare to C₉₀.



SELECTION

Table 5: Dodge Special Duty Tapered Roller Bearings

Bore Size	Hours Life	Allowable Equivalent Radial Load Rating (Lbs.) At Various Revolutions Per Minute												
		50	100	250	500	750	1000	1250	1500	1750	2000	2500	3000	3500
1-3/8	5,000	13210	10730	8151	6621	5862	5378	5029	4762	4546	4368	4085	3868	3693
	10,000	10730	8715	6621	5378	4762	4368	4085	3868	3693	3548	3318	3142	3000
	30,000	7717	6268	4762	3868	3425	3142	2938	2782	2656	2552	2386	2259	2157
	50,000	6621	5378	4085	3318	2938	2695	2521	2386	2279	2189	2047	1938	1851
1-7/16	5,000	13997	11369	8637	7015	6212	5698	5329	5045	4817	4628	4329	4098	
	10,000	11369	9235	7015	5698	5045	4628	4329	4098	3913	3759	3516	3329	
	30,000	8177	6642	5045	4098	3629	3329	3113	2948	2814	2704	2529	2394	
	50,000	7015	5698	4329	3516	3113	2856	2671	2529	2414	2320	2169	2054	
1-11/16	5,000	14149	11493	8731	7092	6279	5760	5387	5100	4870	4679	4376		
	10,000	11493	9335	7092	5760	5100	4679	4376	4143	3956	3800	3554		
	30,000	8266	6714	5100	4143	3668	3365	3147	2980	2845	2733	2556		
	50,000	7092	5760	4376	3554	3147	2887	2700	2556	2441	2345	2193		
2	5,000	18343	14899	11318	9193	8140	7467	6984	6612	6313	6065			
	10,000	14899	12102	9193	7467	6612	6065	5673	5371	5128	4927			
	30,000	10716	8704	6612	5371	4756	4362	4080	3863	3688	3543			
	50,000	9193	7467	5673	4608	4080	3743	3500	3314	3164	3040			
2-1/8	5,000	18847	15308	11629	9446	8364	7672	7175	6794	6487	6232			
	10,000	15308	12434	9446	7672	6794	6232	5828	5518	5269	5062			
	30,000	11010	8943	6794	5518	4886	4482	4192	3969	3789	3641			
	50,000	9446	7672	5828	4734	4192	3845	3596	3405	3251	3123			
2-1/2	5,000	36514	29658	22530	18300	16204	14864	13902	13162	12567				
	10,000	29658	24090	18300	14864	13162	12074	11292	10691	10208				
	30,000	21331	17326	13162	10691	9466	8684	8121	7689	7342				
	50,000	18300	14864	11292	9172	8121	7450	6967	6597	6298				
3	5,000	40317	32748	24877	20207	17892	16413	15350	14533					
	10,000	32748	26600	20207	16413	14533	13331	12468	11804					
	30,000	23553	19131	14533	11804	10452	9588	8967	8490					
	50,000	20207	16413	12468	10127	8967	8226	7693	7284					
3-1/2	5,000	60160	48865	37121	30152	26698	24491	22905						
	10,000	48865	39691	30152	24491	21686	19893	18604						
	30,000	35145	28547	21686	17614	15597	14307	13381						
	50,000	30152	24491	18604	15112	13381	12274	11480						
4	5,000	60160	48865	37121	30152	26698	24491							
	10,000	48865	39691	30152	24491	21686	19893							
	30,000	35145	28547	21686	17614	15597	14307							
	50,000	30152	24491	18604	15112	13381	12274	11480						
4-1/2	5,000	74548	60551	45998	37362	33083	30348							
	10,000	60551	49183	37362	30348	26872	24650							
	30,000	43550	35374	26872	21827	19327	17729							
	50,000	37362	30348	23054	18726	16581	15210							
5	5,000	74548	60551	45998	37362	33083	30348							
	10,000	60551	49183	37362	30348	26872	24650							
	30,000	43550	35374	26872	21827	19327	17729							
	50,000	37362	30348	23054	18726	16581	15210							
UNIFIED SAF	5,000	74548	60551	45998	37362	33083	30348							
	10,000	60551	49183	37362	30348	26872	24650							
	30,000	43550	35374	26872	21827	19327	17729							
	50,000	37362	30348	23054	18726	16581	15210							

FEATURES/BENEFITS PAGE B11-3	SPECIFICATION B11-20	SELECTION B11-23	SELECTION/DIMENSIONS PAGE B11-30
---------------------------------	-------------------------	---------------------	-------------------------------------



Table 5: Dodge Special Duty Tapered Roller Bearings

Bore Size	Hours Life	Allowable Equivalent Radial Load Rating (Lbs.) At Various Revolutions Per Minute												
		50	100	250	500	750	1000	1250	1500	1750	2000	2500	3000	3500
5-7/16 5-15/16 6	5,000	106130	86205	65485	53190	47100								
	10,000	86205	70020	53190	43205	38255								
	30,000	62000	50360	38255	31075	27515								
	50,000	53190	43205	32820	26660	23605								
100,000	43205	35090	26660	21655	19175									
6-1/2 6-15/16 7	5,000	117600	95520	72560	58940	52190								
	10,000	95520	77585	58940	47575	42390								
	30,000	68700	55800	42390	34430	30490								
	50,000	58940	47875	36365	29540	26155								
100,000	47875	38885	29540	23995	21245									
7-15/16 8	5,000	135570	110120	83650	67945	60165								
	10,000	110120	89445	67945	55190	48870								
	30,000	79200	64330	48870	39695	35145								
	50,000	67945	55190	41925	34055	30155								
100,000	55190	44830	34055	27660	24490									
8-1/2 9 9-1/2 10	5,000	130950	106365	80800	65630									
	10,000	106365	86395	65630	53310									
	30,000	76500	62135	47250	38340									
	50,000	65630	53310	40495	32895									
100,000	53310	43300	32895	26715										
11 12	5,000	212260	172410	130970	106380									
	10,000	172410	140040	106380	86410									
	30,000	124000	100720	76510	62145									
	50,000	106380	86410	65640	53315									
100,000	86410	70185	53315	43305										

Bearing Reference Guide
 E-Family Roller Bearings
 Specialty Tapered Products
 S-2000
 UNISPHERE II
 IMPERIAL
 UNIFIED SAF

FEATURES/BENEFITS PAGE B11-3	SPECIFICATION B11-20	SELECTION B11-23	SELECTION/DIMENSIONS PAGE B11-30
---------------------------------	-------------------------	---------------------	-------------------------------------



SELECTION

Special Duty

Table 6: Special Duty Pillow Blocks Housing Permissible Thrust Load, Lbs. *

Shaft Size, Inches	2-Bolt	4-Bolt	Shaft Size, Inches	2-Bolt	4-Bolt
1-3/8	1521	---	3-11/16	---	8250
1-7/16			3-3/4		
1-1/2			3-7/8		
1-9/16	1772	---	3-15/16	---	10538
1-5/8			4		
1-11/16			4-7/16		
1-3/4	1964	---	4-1/2	---	12190
1-7/8			4-15/16		
1-15/16			5		
2	2325	---	5-7/16	---	17957
2-1/8			5-15/16		
2-3/16			6		
2-1/4	3122	3122	6-1/2	---	24115
2-3/8			6-15/16		
2-7/16			7		
2-1/2	4375	4375	7-15/16	---	27260
2-5/8			8		
2-11/16			8-1/2		
2-3/4	4375	4375	9	---	38138
2-13/16			9-1/2		
2-7/8			10		
2-15/16	6118	6118	11	---	50655
3			12		
3-3/16					
3-1/4					
3-3/8					
3-7/16					
3-1/2					

* The limits above apply to pillow blocks. For thrust loads larger than listed or heavy thrust loading on other style housing, contact DODGE Engineering for recommendation.

Table 7: Special Duty Maximum Total Axial Expansion

Shaft Size - Inches	Special Duty		
	2-Blt. P.B.	4-Blt. P.B.	Fig.
1-3/8 - 1-1/2	3/16	-	3/16
1-9/16 - 1-3/4	5/8	-	1/4
1-7/8 - 2	5/8	-	1/4
2-1/8 - 2-1/4	5/8	-	1/4
2-3/8 - 2-1/2	5/8	5/8	1/4
2-5/8 - 3	3/4	5/8	5/8
3-3/16 - 3-1/2	3/4	3/4	3/4
3-11/16 - 4	-	3/4	1/4
4-7/16 - 4-1/2	-	3/4	5/8
4-15/16 - 5	-	3/4	5/8
5-7/16 - 6	-	3/4	5/8
6-1/2 - 7	-	1-1/2	-
7-15/16 - 8	-	1-1/2	-
8-1/2 - 10	-	1-1/2	-
11 - 12	-	1-1/2	-



Special Duty

Table 8: Definition of Operating Conditions For Tapered Roller Bearings

LOW SPEED	UP TO 20% OF MAX. RPM (TABLE 4)
MEDIUM SPEED	OVER 20% TO 80% OF MAX. RPM
HIGH SPEED	OVER 80% OF MAX. RPM
LIGHT LOAD	UP TO 30% OF C ₉₀ (TABLE 4)
NORMAL LOAD	OVER 30% TO 70% OF C ₉₀
HEAVY LOAD	OVER 70% OF C ₉₀
LOW TEMPERATURE	-100°F TO 20°F
MEDIUM TEMPERATURE	OVER 20°F TO 200°F
HIGH TEMPERATURE	OVER 200°F TO 300°F
VERY HIGH TEMPERATURE	OVER 300°F TO 400°F

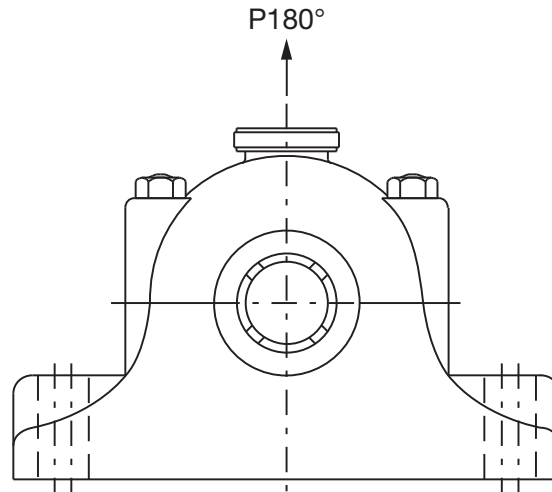


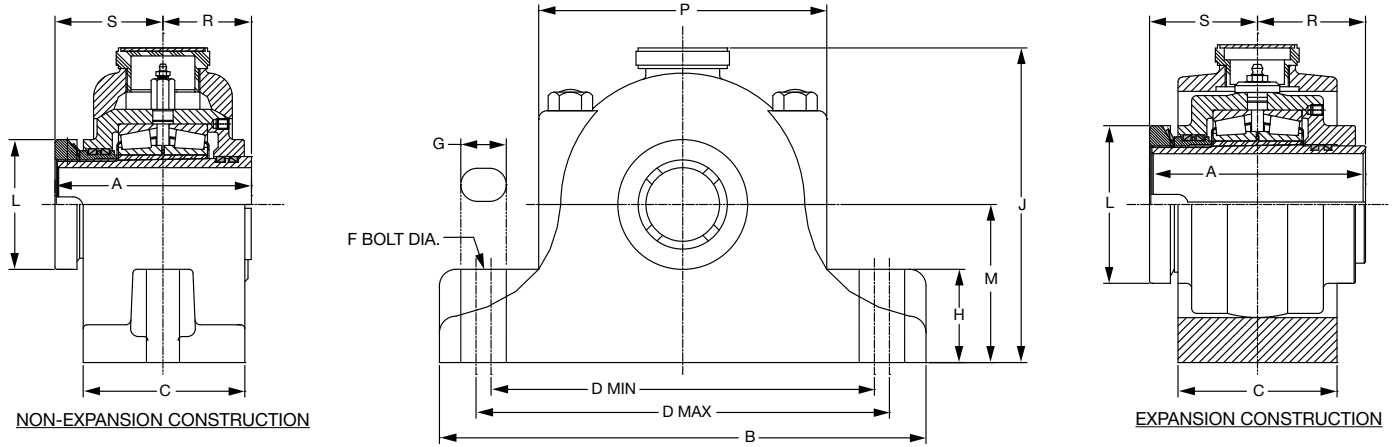
Table 9: Pillow Block Housing Ratings, Special Duty

Shaft Size (Inches)	Housing Strength Lbs. Gray Iron 180°
1-3/8 - 1-1/2	3,470
1-9/16 - 1-3/4	4,430
1-7/8 - 2	5,250
2-1/8 - 2-1/4	7,300
2-3/8 - 2-1/2	7,200
2-5/8 - 3	10,600
3-3/16 - 3-1/2	13,000
3-11/16 - 4	21,600
4-7/16 - 4-1/2	25,800
4-15/16 - 5	22,900
5-7/16 - 6	41,500
6-1/2 - 7	82,000
7-15/16 - 8	104,000



SELECTION/DIMENSIONS

Special Duty Pillow Block - Inch 2-BOLT BASE



Gray Iron Non-Expansion*				Gray Iron Expansion †			
Shaft Size Inches #	Part Number	Part Name	Weight Lbs (Approx)	Shaft Size Inches #	Part Number	Part Name	Weight Lbs (Approx)
1-3/8	066213	P2B-SD-106	20	1-3/8	066249	P2B-SD-106E	22
1-7/16	066214	P2B-SD-107	20	1-7/16	066250	P2B-SD-107E	22
1-1/2	066300	P2B-SD-108	20	1-1/2	066306	P2B-SD-108E	22
1-9/16	066212	P2B-SD-109	27	1-9/16	066248	P2B-SD-109E	28
1-5/8	066228	P2B-SD-110	27	1-5/8	066243	P2B-SD-110E	28
1-11/16	066216	P2B-SD-111	27	1-11/16	066252	P2B-SD-111E	28
1-3/4	066301	P2B-SD-112	27	1-3/4	066307	P2B-SD-112E	28
1-7/8	066217	P2B-SD-114	33	1-7/8	066253	P2B-SD-114E	33
1-15/16	066218	P2B-SD-115	32	1-15/16	066254	P2B-SD-115E	32
2	066302	P2B-SD-200	32	2	066308	P2B-SD-200E	32
2-1/8	066215	P2B-SD-202	48	2-1/8	066257	P2B-SD-202EE	50
2-3/16	066220	P2B-SD-203	47	2-3/16	066256	P2B-SD-203E	49
2-1/4	066303	P2B-SD-204	47	2-1/4	066309	P2B-SD-204	49
2-7/16	066222	P2B-SD-207	56	2-7/16	066258	P2B-SD-207E	60
2-1/2	066246	P2B-SD-208	56	2-1/2	066247	P2B-SD-208E	60
2-5/8	066223	P2B-SD-210	84	2-5/8	066262	P2B-SD-210E	80
2-11/16	066304	P2B-SD-211	84	2-11/16	066310	P2B-SD-211E	80
2-3/4	066226	P2B-SD-212	84	2-3/4	066263	P2B-SD-212E	80
2-15/16	066230	P2B-SD-215	82	2-15/16	066266	P2B-SD-215E	78
3	066305	P2B-SD-300	82	3	066311	P2B-SD-300E	78
3-3/16	066232	P2B-SD-303	120	3-3/16	066269	P2B-SD-303E	120
3-3/8	066237	P2B-SD-306	119	3-3/8	066271	P2B-SD-306E	119
3-7/16	066234	P2B-SD-307	118	3-7/16	066270	P2B-SD-307E	118
3-1/2	066236	P2B-SD-308	118	3-1/2	066273	P2B-SD-308E	118

* Furnished Unless Otherwise Specified

Consult DODGE For Sizes Not Listed

Consult DODGE For Sizes Not Listed

† 4-Bolt Caps

FEATURES/BENEFITS PAGE B11-3	SPECIFICATION B11-20	HOW TO ORDER B11-21	SELECTION PAGE B11-23
---------------------------------	-------------------------	------------------------	--------------------------



SELECTION/DIMENSIONS

Special Duty Pillow Block - Inch 2-BOLT BASE

Shaft Size Inches	A	B	C	D		F Bolt Dia.	G	H	J	L	M	P	R	S	Exp*
				Min.	Max.										
1-3/8	4.00	9.00	3.00	6.88	7.63	1/2	1.00	2.13	6.25	2.44	2.88	5.88	1.81	2.19	3/16
1-7/16															
1-1/2															
1-9/16	4.13	9.50	3.44	7.56	7.94	1/2	1.00	2.38	6.81	2.81	3.13	5.94	1.88	2.25	5/8
1-5/8															
1-11/16															
1-3/4															
1-7/8	4.25	11.00	3.50	8.25	9.25	5/8	1.25	2.50	7.13	3.06	3.25	7.25	1.94	2.31	5/8
1-15/16															
2															
2-1/8	4.56	12.00	4.00	9.13	10.38	5/8	1.25	2.88	8.00	3.44	3.75	7.25	2.06	2.50	5/8
2-3/16															
2-1/4															
2-7/16	5.06	13.25	4.25	10.00	11.50	3/4	1.50	3.00	8.56	3.81	4.00	7.81	2.31	2.75	5/8
2-1/2															
2-5/8	5.75	14.25	4.75	11.00	12.50	3/4	1.50	3.75	9.88	4.44	4.75	8.69	2.63	3.13	3/4
2-11/16															
2-3/4															
2-15/16															
3	6.38	16.75	5.50	13.25	14.25	7/8	1.50	4.00	11.38	5.06	5.50	11.25	2.94	3.44	3/4
3-3/16															
3-3/8															
3-7/16															
3-1/2															

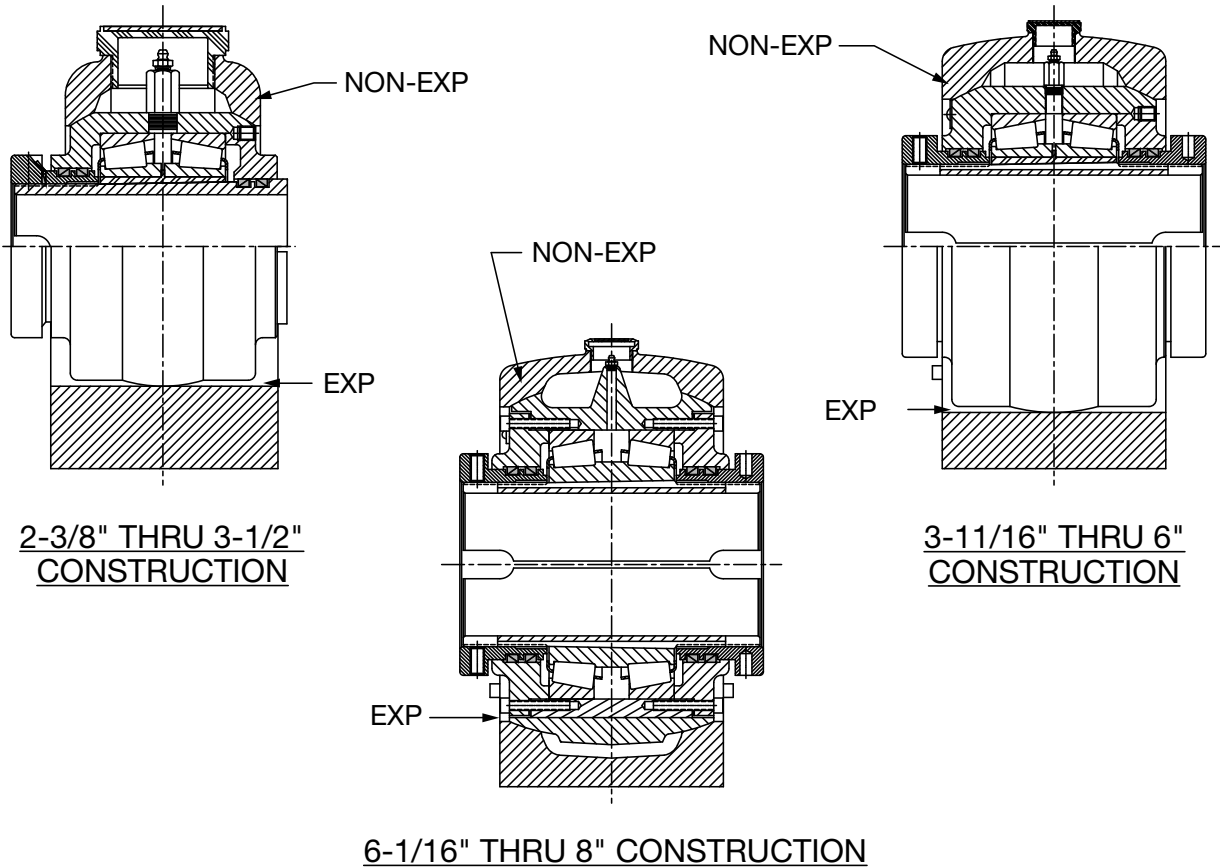
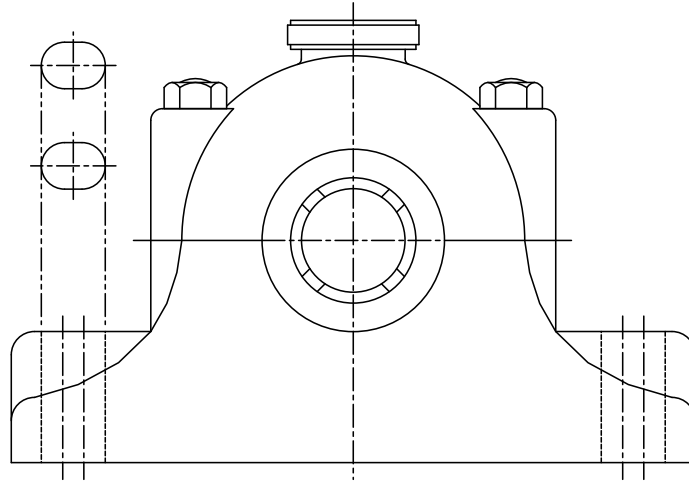
* Total Expansion For Expansion Bearing Only

FEATURES/BENEFITS PAGE B11-3	SPECIFICATION B11-20	HOW TO ORDER B11-21	SELECTION PAGE B11-23
---------------------------------	-------------------------	------------------------	--------------------------



SELECTION/DIMENSIONS

**Special Duty Pillow Block - Inch
4-BOLT BASE**



2-3/8" THRU 3-1/2"
CONSTRUCTION

3-11/16" THRU 6"
CONSTRUCTION

6-1/16" THRU 8" CONSTRUCTION

<p>FEATURES/BENEFITS PAGE B11-3</p>	<p>SPECIFICATION B11-20</p>	<p>HOW TO ORDER B11-21</p>	<p>SELECTION PAGE B11-23</p>
---	---------------------------------	--------------------------------	----------------------------------



SELECTION/DIMENSIONS

Special Duty Pillow Block - Inch 4-BOLT BASE

Gray Iron Non-Expansion *				Gray Iron Expansion			
Shaft Size Inches #	Part Number	Part Name	Weight Lbs (Approx)	Shaft Size Inches #	Part Number	Part Name	Weight Lbs (Approx)
2-3/8	066360	P4B-SD-206	60	2-3/8	066400	P4B-SD-206E	60
2-7/16	066224	P4B-SD-207	60	2-7/16	066260	P4B-SD-207E	60
2-1/2	066244	P4B-SD-208	60	2-1/2	066245	P4B-SD-208E	60
2-11/16	066225	P4B-SD-211	82	2-11/16	066261	P4B-SD-211E	82
2-3/4	066363	P4B-SD-212	82	2-3/4	066403	P4B-SD-212E	82
2-7/8	066365	P4B-SD-214	81	2-7/8	066405	P4B-SD-214E	81
2-15/16	066231	P4B-SD-215	80	2-15/16	066268	P4B-SD-215E	80
3	066366	P4B-SD-300	80	3	066406	P4B-SD-300E	80
3-3/16	066367	P4B-SD-303	124	3-3/16	066407	P4B-SD-303E	124
3-3/8	066370	P4B-SD-306	122	3-3/8	066410	P4B-SD-306E	122
3-7/16	066235	P4B-SD-307	120	3-7/16	066272	P4B-SD-307E	120
3-1/2	066371	P4B-SD-308	120	3-1/2	066411	P4B-SD-308E	120
3-11/16	066372	P4B-SD-311	215	3-11/16	066412	P4B-SD-311E	230
3-3/4	066373	P4B-SD-312	215	3-3/4	066413	P4B-SD-312E	230
3-7/8	066374	P4B-SD-314	215	3-7/8	066414	P4B-SD-314E	230
3-15/16	066238	P4B-SD-315	215	3-15/16	066274	P4B-SD-315E	230
4	066375	P4B-SD-400	215	4	066415	P4B-SD-400E	230
4-7/16	066240	P4B-SD-407	296	4-7/16	066276	P4B-SD-407E	296
4-1/2	066377	P4B-SD-408	296	4-1/2	066417	P4B-SD-408E	296
4-15/16	066242	P4B-SD-415	380	4-15/16	066278	P4B-SD-415E	380
5	066378	P4B-SD-500	380	5	066418	P4B-SD-500E	380
5-7/16	066379	P4B-SD-507	585	5-7/16	066419	P4B-SD-507E	585
5-15/16	066381	P4B-SD-515	585	5-15/16	066421	P4B-SD-515E	585
6	066382	P4B-SD-600	585	6	066422	P4B-SD-600E	585
6-1/2	066384	P4B-SD-608	1050	6-1/2	066424	P4B-SD-608E	1050
6-15/16	066385	P4B-SD-615	1050	6-15/16	066425	P4B-SD-615E	1050
7	066386	P4B-SD-700	1050	7	066426	P4B-SD-700E	1050
7-15/16	066388	P4B-SD-715	1550	7-15/16	066428	P4B-SD-715E	1550
8	066389	P4B-SD-800	1550	8	066429	P4B-SD-800E	1550

* Furnished Unless Otherwise Specified

Consult DODGE For Sizes Not Listed

Consult DODGE For Sizes Not Listed

Note: When ordering sizes larger than 5", specify RPM

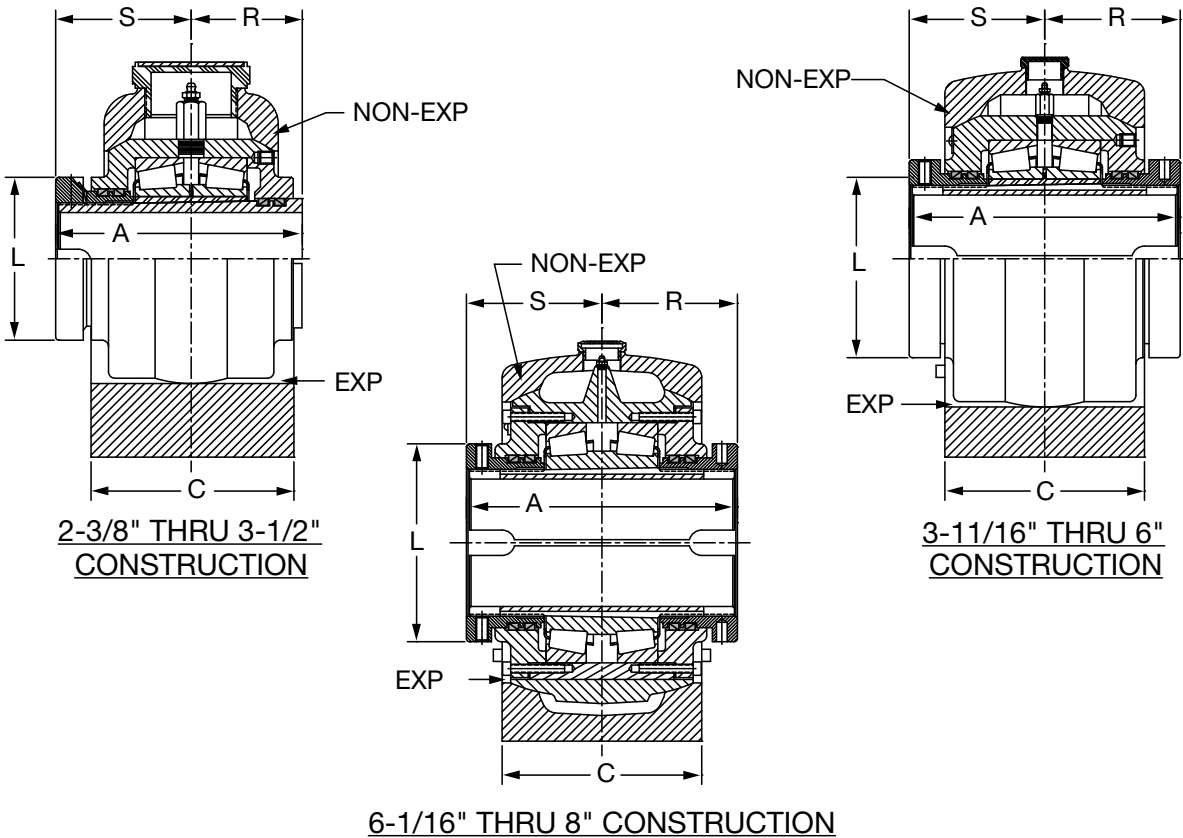
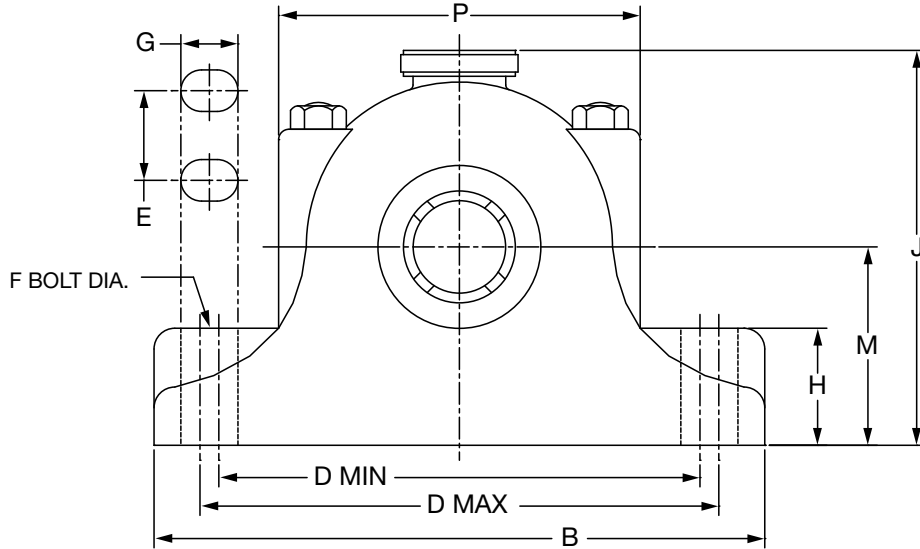
Note: All sizes use a 1/8 - 27 NPT hydraulic grease fitting

FEATURES/BENEFITS PAGE B11-3	SPECIFICATION B11-20	HOW TO ORDER B11-21	SELECTION PAGE B11-23
---------------------------------	-------------------------	------------------------	--------------------------



SELECTION/DIMENSIONS

**Special Duty Pillow Block - Inch
4-BOLT BASE**



FEATURES/BENEFITS PAGE B11-3	SPECIFICATION B11-20	HOW TO ORDER B11-21	SELECTION PAGE B11-23
---------------------------------	-------------------------	------------------------	--------------------------



SELECTION/DIMENSIONS

Special Duty Pillow Block - Inch 4-BOLT BASE

Shaft Size Inches	A	B*	C*	D		E	F Bolt Dia.	G*	H*	J	L	M	P*	R	S	Exp**
				Min.	Max.											
2-3/8	5.06	13.25	4.25	9.88	11.63	2.50	5/8	1.50	3.00	8.56	3.81	4.00	7.81	2.31	2.75	5/8
2-7/16																
2-1/2																
2-11/16	5.75	14.25	4.75	10.88	12.63	2.75	5/8	1.50	3.75	9.88	4.44	4.75	8.69	2.63	3.13	5/8
2-3/4																
2-7/8																
2-15/16																
3	6.38	16.75	5.50	13.00	14.50	3.25	3/4	1.50	4.00	11.38	5.06	5.50	10.25	2.94	3.44	3/4
3-3/16																
3-3/8																
3-7/16																
3-1/2																
3-11/16	8.50	19.00	7.00	15.00	16.00	3.25	7/8	1.50	4.00	13.38	6.25	6.38	13.75	4.25	4.25	3/4
3-3/4																
3-7/8																
3-15/16																
4	9.50	20.00	7.50	15.50	17.50	3.50	7/8	1.88	4.00	14.50	7.25	7.25	12.63	4.75	4.75	3/4
4-7/16																
4-1/2	10.50	23.00	8.25	17.75	19.75	3.75	1	2.13	4.25	15.68	8.00	7.50	16.50	5.25	5.25	3/4
4-15/16																
5																
5-7/16	12.00	26.75	9.25	21.38	23.63	5.00	1-1/8	2.25	5.00	19.00	9.50	9.00	17.38	6.00	6.00	3/4
5-15/16																
6	13.50	34.38	10.25	27.50	30.50	5.50	1-1/2	3.00	6.00	23.00	11.00	11.25	22.75	6.75	6.75	1-1/2
6-1/2																
6-15/16																
7	14.50	38.75	11.25	30.50	34.00	6.00	1-3/4	3.50	7.00	26.00	12.50	12.50	25.13	7.25	7.25	1-1/2
7-15/16																
8																

* These Are As Cast Surfaces. Dimensions May Fluctuate Due To Draft Angles And Pattern Shifts

** Exp-Total Expansion Divided Equally On Both Sides Of Bearing (Expansion Bearing Only)

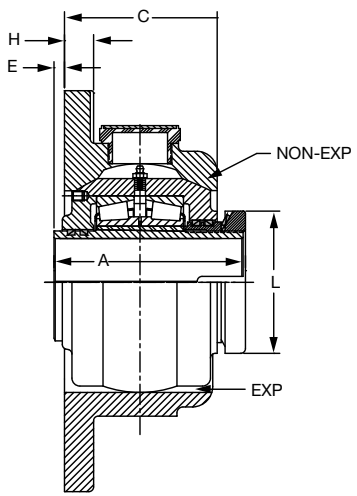
Note: All sizes use a 1/8 - 27 NPT hydraulic grease fitting

FEATURES/BENEFITS PAGE B11-3	SPECIFICATION B11-20	HOW TO ORDER B11-21	SELECTION PAGE B11-23
---------------------------------	-------------------------	------------------------	--------------------------

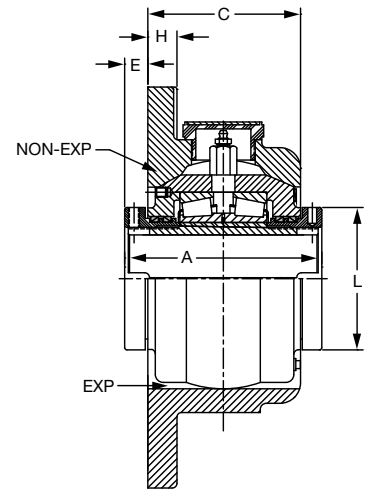
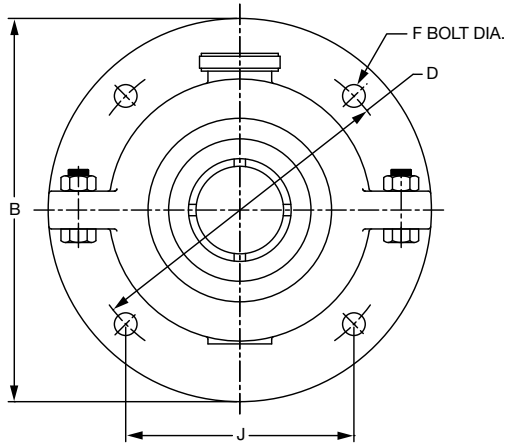


SELECTION/DIMENSIONS

Special Duty Flange Bearing - Inch



1-3/8" THRU 3-1/2" CONSTRUCTION



3-11/16" THRU 6" CONSTRUCTION

Gray Iron Non-Expansion*				Gray Iron Expansion			
Shaft Size Inches #	Part Number	Part Name	Weight Lbs (Approx)	Shaft Size Inches #	Part Number	Part Name	Weight Lbs (Approx)
1-3/8	104160	F4B-SD-106	21	1-3/8	104195	F4B-SD-106E	22
1-7/16	104020	F4B-SD-107	21	1-7/16	104030	F4B-SD-107E	22
1-1/2	104161	F4B-SD-108	21	1-1/2	104196	F4B-SD-108E	22
1-11/16	104021	F4B-SD-111	30	1-11/16	104031	F4B-SD-111E	30
1-3/4	104162	F4B-SD-112	30	1-3/4	104197	F4B-SD-112E	30
1-15/16	104022	F4B-SD-115	37	1-15/16	104032	F4B-SD-115E	37
2	104164	F4B-SD-200	37	2	104199	F4B-SD-200E	37
2-3/16	104023	F4B-SD-203	46	2-3/16	104033	F4B-SD-203E	49
2-3/8	104169	F4B-SD-206	62	2-3/8	104204	F4B-SD-206E	64
2-7/16	104024	F4B-SD-207	62	2-7/16	104034	F4B-SD-207E	64
2-1/2	104170	F4B-SD-208	62	2-1/2	104205	F4B-SD-208E	64
2-11/16	104172	F4B-SD-211	85	2-11/16	104207	F4B-SD-211E	88
2-3/4	104173	F4B-SD-212	83	2-3/4	104208	F4B-SD-212E	86
2-15/16	104025	F4B-SD-215	81	2-15/16	104035	F4B-SD-215E	85
3	104176	F4B-SD-300	81	3	104211	F4B-SD-300E	84
3-3/16	104177	F4B-SD-303	141	3-3/16	104212	F4B-SD-303E	145
3-7/16	104026	F4B-SD-307	139	3-7/16	104036	F4B-SD-307E	144
3-1/2	104181	F4B-SD-308	138	3-1/2	104216	F4B-SD-308E	143
3-15/16	104027	F4B-SD-315	230	3-15/16	104037	F4B-SD-315E	234
4	104010	F4B-SD-400	229	4	104003	F4B-SD-400E	234
4-7/16	104028	F4B-SD-407	325	4-7/16	104038	F4B-SD-407E	325
4-15/16	104029	F4B-SD-415	430	4-15/16	104039	F4B-SD-415E	430
5	104013	F4B-SD-500	428	5	104006	F4B-SD-500E	428
5-15/16	104016	F4B-SD-515	560	5-15/16	104017	F4B-SD-515E	560
6	104018	F4B-SD-600	560	6	104019	F4B-SD-600E	560

* Furnished Unless Otherwise Specified

Consult DODGE For Sizes Not Listed

Note: when ordering sizes larger than 5", specify RPM

FEATURES/BENEFITS PAGE B11-3	SPECIFICATION B11-20	HOW TO ORDER B11-21	SELECTION PAGE B11-23
---------------------------------	-------------------------	------------------------	--------------------------

SELECTION/DIMENSIONS



Special Duty Flange Bearing - Inch

Bearing Reference Guide
 E-Family Roller Bearings
 Specialty Tapered Products
 S-2000
 UNISPHERE II
 IMPERIAL
 UNIFIED SAF

Shaft Size Inches	A	B	C	D	E	F Bolt Dia.	H	J	L	Exp*
1-3/8 1-7/16 1-1/2	4.00	8.25	3.00	7.00	0.31	1/2	0.63	4.95	2.44	3/16
1-11/16 1-3/4	4.13	9.00	3.38	7.63	0.19	1/2	0.69	5.39	2.81	1/4
1-15/16 2	4.25	10.00	3.50	8.38	0.19	5/8	0.75	5.92	3.06	1/4
2-3/16	4.50	10.75	4.00	9.13	0.06	5/8	0.81	6.45	3.44	1/4
2-3/8 2-7/16 2-1/2	5.06	12.00	4.25	10.25	0.19	3/4	0.88	7.25	3.81	1/4
2-11/16 2-3/4 2-15/16 3	5.75	13.00	4.63	11.25	0.31	3/4	1.00	7.96	4.44	5/8
3-3/16 3-7/16 3-1/2	6.38	14.50	5.38	12.50	0.25	7/8	1.13	8.84	5.06	1/4
3-15/16 4	8.50	18.00	6.75	15.75	0.88	1	1.25	11.14	6.25	1/4
4-7/16	9.50	19.50	7.25	17.00	1.13	1-1/8	1.38	12.02	7.25	5/8
4-15/16 5	10.50	21.50	8.25	19.00	1.00	1-1/8	1.75	13.44	8.00	5/8
5-15/16 6	12.00	25.50	9.00	22.50	1.50	1-1/4	1.75	15.91	9.50	5/8

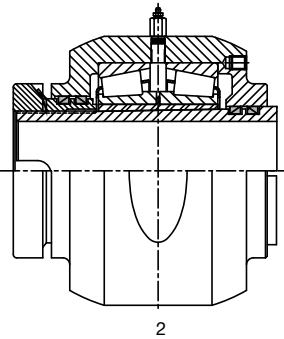
* Exp-Total Expansion For Expansion Bearing Only

FEATURES/BENEFITS PAGE B11-3	SPECIFICATION B11-20	HOW TO ORDER B11-21	SELECTION PAGE B11-23
---------------------------------	-------------------------	------------------------	--------------------------



SELECTION/DIMENSIONS

Special Duty Units - Inch

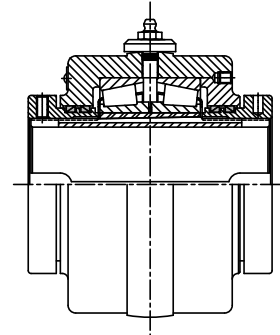


D UNIT

1-3/8" THRU 3-1/2" CONSTRUCTION

NON-EXPANSION

3-11/16" THRU 12" NOT SHOWN
CONSULT DODGE FOR DETAIL

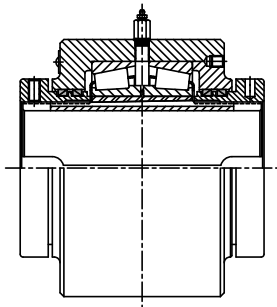


S-1 UNIT

3-11/16" THRU 6" CONSTRUCTION

EXPANSION

1-3/8" THRU 3-1/2" AND 6" THRU 12" NOT SHOWN
CONSULT DODGE FOR DETAIL

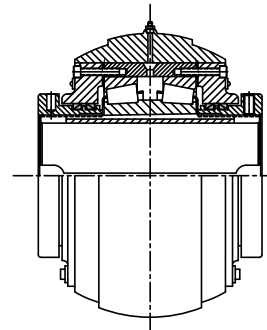


B-1 UNIT

3-11/16" THRU 6" CONSTRUCTION

CUSTOMER SUPPLIED HOUSING ONLY

1-3/8" THRU 3-1/2" AND 6-1/2" THRU 12" NOT SHOWN
CONSULT DODGE FOR DETAIL



S-1 UNIT

6-1/16" THRU 8" CONSTRUCTION

EXPANSION

1-3/8" THRU 6" AND 8-1/2" THRU 12" NOT SHOWN
CONSULT DODGE FOR DETAIL

SELECTION/DIMENSIONS



Special Duty Units - Inch

Shaft Size Inches #	D Units - Non-Expansion		S-1 Units - Expansion		B-1 Units - Customer Supplied Housing		Weight Lbs (Approx)
	Part Number	Part Name	Part Number	Part Name	Part Number	Part Name	
1-3/8	066445	DU-SD-106	066500	S1U-SD-106	066560	B1U-SD-106	7
1-7/16	066280	DU-SD-107	066290	S1U-SD-107	066315	B1U-SD-107	7
1-1/2	066446	DU-SD-108	066501	S1U-SD-108	066561	B1U-SD-108	7
1-9/16	066444	DU-SD-109	066499	S1U-SD-109	066559	B1U-SD-109	10
1-5/8	066324	DU-SD-110	066312	S1U-SD-110	066314	B1U-SD-110	10
1-11/16	066281	DU-SD-111	066291	S1U-SD-111	066316	B1U-SD-111	10
1-3/4	066447	DU-SD-112	066502	S1U-SD-112	066562	B1U-SD-112	10
1-7/8	066448	DU-SD-114	066503	S1U-SD-114	066563	B1U-SD-114	12
1-15/16	066282	DU-SD-115	066292	S1U-SD-115	066317	B1U-SD-115	12
2	066464	DU-SD-200	066504	S1U-SD-200	066564	B1U-SD-200	12
2-1/8	066450	DU-SD-202	066506	S1U-SD-202	066566	B1U-SD-202	16
2-3/16	066283	DU-SD-203	066293	S1U-SD-203	066318	B1U-SD-203	16
2-1/4	066451	DU-SD-204	066507	S1U-SD-204	066567	B1U-SD-204	16
2-3/8	----	-----	066509	S1U-SD-206	066569	B1U-SD-206	20
2-7/16	066284	DU-SD-207	066294	S1U-SD-207	066319	B1U-SD-207	20
2-1/2	066285	DU-SD-208	066510	S1U-SD-208	066570	B1U-SD-208	20
2-5/8	066455	DU-SD-210	066511	S1U-SD-210	066571	B1U-SD-210	29
2-11/16	066279	DU-SD-211	066326	S1U-SD-211	066572	B1U-SD-211	29
2-3/4	066456	DU-SD-212	066512	S1U-SD-212	066573	B1U-SD-212	29
2-13/16	066457	DU-SD-213	066513	S1U-SD-213	066574	B1U-SD-213	29
2-7/8	066458	DU-SD-214	066514	S1U-SD-214	066575	B1U-SD-214	29
2-15/16	066286	DU-SD-215	066295	S1U-SD-215	066320	B1U-SD-215	29
3	066459	DU-SD-300	066515	S1U-SD-300	066576	B1U-SD-300	29
3-3/16	066460	DU-SD-303	066516	S1U-SD-303	066577	B1U-SD-303	47
3-1/4	066461	DU-SD-304	066517	S1U-SD-304	066578	B1U-SD-304	47
3-3/8	066463	DU-SD-306	066519	S1U-SD-306	066580	B1U-SD-306	47
3-7/16	066287	DU-SD-307	066296	S1U-SD-307	066321	B1U-SD-307	47
3-1/2	066465	DU-SD-308	066520	S1U-SD-308	066581	B1U-SD-308	47
3-11/16	066466	DU-SD-311	066521	S1U-SD-311	066582	B1U-SD-311	94
3-3/4	066467	DU-SD-312	066522	S1U-SD-312	066583	B1U-SD-312	94
3-7/8	066468	DU-SD-314	066523	S1U-SD-314	066584	B1U-SD-314	94
3-15/16	066288	DU-SD-315	066297	S1U-SD-315	066322	B1U-SD-315	94
4	066469	DU-SD-400	066524	S1U-SD-400	066585	B1U-SD-400	94
4-7/16	066289	DU-SD-407	066298	S1U-SD-407	066587	B1U-SD-407	116
4-1/2	066471	DU-SD-408	066526	S1U-SD-408	066588	B1U-SD-408	116
4-15/16	066325	DU-SD-415	066299	S1U-SD-415	066589	B1U-SD-415	175
5	066472	DU-SD-500	066527	S1U-SD-500	066590	B1U-SD-500	175
5-7/16	066473	DU-SD-507	066528	S1U-SD-507	066591	B1U-SD-507	300
5-15/16	066475	DU-SD-515	066530	S1U-SD-515	066593	B1U-SD-515	300
6	066476	DU-SD-600	066531	S1U-SD-600	066594	B1U-SD-600	300
6-1/2	066478	DU-SD-608	066533	S1U-SD-608	066596	B1U-SD-608	560
6-15/16	066479	DU-SD-615	066534	S1U-SD-615	066598	B1U-SD-615	560
7	066480	DU-SD-700	066535	S1U-SD-700	066607	B1U-SD-700	560
7-15/16	066482	DU-SD-715	066537	S1U-SD-715	066600	B1U-SD-715	800
8	066483	DU-SD-800	066538	S1U-SD-800	066601	B1U-SD-800	800
8-1/2	066484	DU-SD-808	066539	S1U-SD-808	066602	B1U-SD-808	1380
9	066485	DU-SD-900	066540	S1U-SD-900	066603	B1U-SD-900	1380
9-1/2	066486	DU-SD-908	066541	S1U-SD-908	----	-----	1380
10	066487	DU-SD-1000	066542	S1U-SD-1000	066604	B1U SD 1000	1380
11	066488	DU-SD-1100	066543	S1U-SD-1100	066605	B1U-SD-1100	1890
12	066489	DU-SD-1200	066544	S1U-SD-1200	066606	B1U-SD-1200	1890

Consult DODGE For Sizes Not Listed

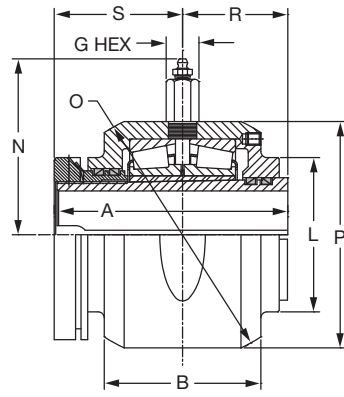
Note: When ordering sizes larger than 5", specify RPM

FEATURES/BENEFITS PAGE B11-3	SPECIFICATION B11-20	HOW TO ORDER B11-21	SELECTION PAGE B11-23
---------------------------------	-------------------------	------------------------	--------------------------

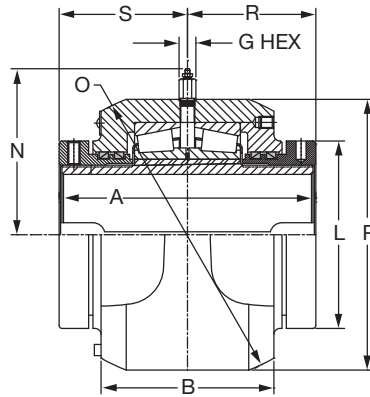
SELECTION/DIMENSIONS



Special Duty Units - Inch

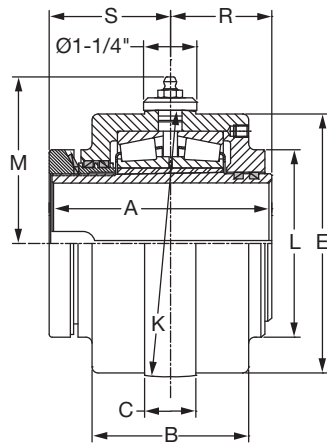


1-3/8" - 3-1/2"

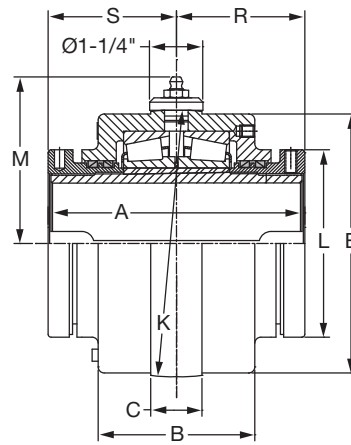


3-11/16" - 6"

D-UNIT

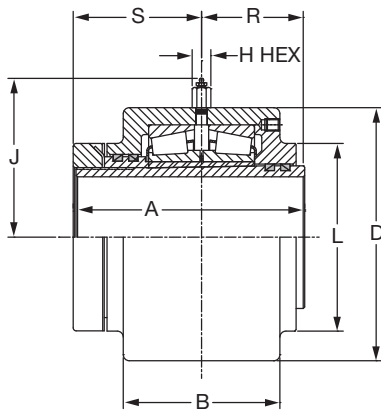


1-3/8" - 3-1/2"

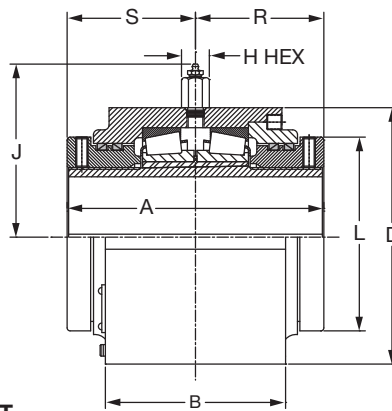


3-11/16" - 6"

S1-UNIT



1-3/8" - 3-1/2"



3-11/16" - 6"

B1-UNIT

FEATURES/BENEFITS PAGE B11-3	SPECIFICATION B11-20	HOW TO ORDER B11-21	SELECTION PAGE B11-23
---------------------------------	-------------------------	------------------------	--------------------------



SELECTION/DIMENSIONS

Special Duty Units - Inch

Shaft Size Inches	A	B	C	D	E	F	G Hex	H Hex	J	K	L	M	N	O	P	R	S
1-3/8 1-7/16 1-1/2	4.00	2.69	0.75	3.875 ★	3.75	----	7/16	5/8	3.06	4.062 ★	2.44	2.69	2.50	4.438 ★	3.94	1.81	2.19
1-9/16 1-5/8 1-11/16 1-3/4	4.13	3.13	0.75	4.250 ★	4.13	----	7/16	5/8	4.25	4.438 ★	2.81	2.88	2.75	5.000 ★	4.50	1.88	2.25
1-7/8 1-15/16 2	4.25	3.25	0.88	4.750 ★	4.50	----	5/8	5/8	4.75	4.812 ★	3.06	3.06	2.88	5.313 ★	4.75	1.94	2.31
2-1/8 2-3/16 2-1/4	4.56	3.50	0.88	5.250 ★	5.06	----	5/8	5/8	5.25	5.375 ★	3.44	3.31	3.19	6.000 ★	5.38	2.06	2.50
2-3/8 2-7/16 2-1/2	5.06	4.00	1.00	5.750 ★	5.31	----	3/4	5/8	5.75	5.687 ★	3.81	3.50	4.09	6.375 ★	5.69	2.31	2.75
2-5/8 2-11/16 2-3/4 2-13/16 2-7/8 2-15/16 3	5.75	4.44	1.00	6.500 ★	6.19	----	3/4	3/4	6.50	6.562 ★	4.44	4.19	4.50	7.313 ★	6.50	2.63	3.13
3-3/16 3-1/4 3-3/8 3-7/16 3-1/2	6.38	5.00	1.25	7.750 ★	7-5/8	----	3/4	3/4	5.38	8.000 ♥	5.06	4.88	5.56	8.625 ♦	8.00	2.94	3.44
3-11/16 3-3/4 3-7/8 3-15/16 4	8.50	6.25	1.50	9.250 ★	9.00	----	3/4	3/4	6.13	9.500 ♥	6.25	5.63	6.38	10.250 ♦	9.75	4.25	4.25
4-7/16 4-1/2	9.50	6.63	1.75	10.500 ★	10-1/16	----	3/4	3/4	6.75	10.625 ♥	7.25	6.19	6.69	11.125 ♦	10.06	4.75	4.75
4-15/16 5	10.50	7.38	2.00	11.750 ★	10-7/8	----	3/4	3/4	7.38	11.500 ♥	8.00	6.63	7.44	12.500 ♦	11.88	5.25	5.25
5-7/16 5-15/16 6	12.00	8.50	2.25	13.500 ★	13.00	----	3/4	3/4	8.25	14.000 ♥	9.50	7.88	8.56	14.750 *	14.13	6.00	6.00
6-1/2 6-15/16 7	13.50	9.31	----	14.750 ★	----	9.81	1	1	8.88	----	11.00	----	10.88	18.000 *	17.00	6.75	6.75
7-15/16 8	14.50	9.94	----	16.250 ★	----	10.06	1	1	9.63	----	12.50	----	12.50	20.125 *	19.13	7.25	7.25
8-1/2 9 9-1/2 10	17.00	11.50	----	19.500 ★	----	11.75	1	1	11.25	----	14.63	----	14.50	24.000 *	23.50	8.50	8.50
11 12	18.50	12.75	----	23.000 ★	----	13.25	1	1	13.00	----	17.00	----	17.63	28.500 *	28.00	9.25	9.25

★ +.000 -.002"

♥ -.000 -.004"

♦ +.000 -.003"

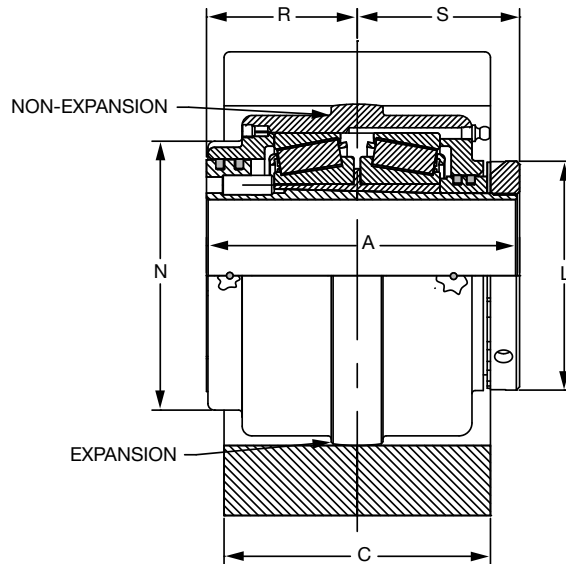
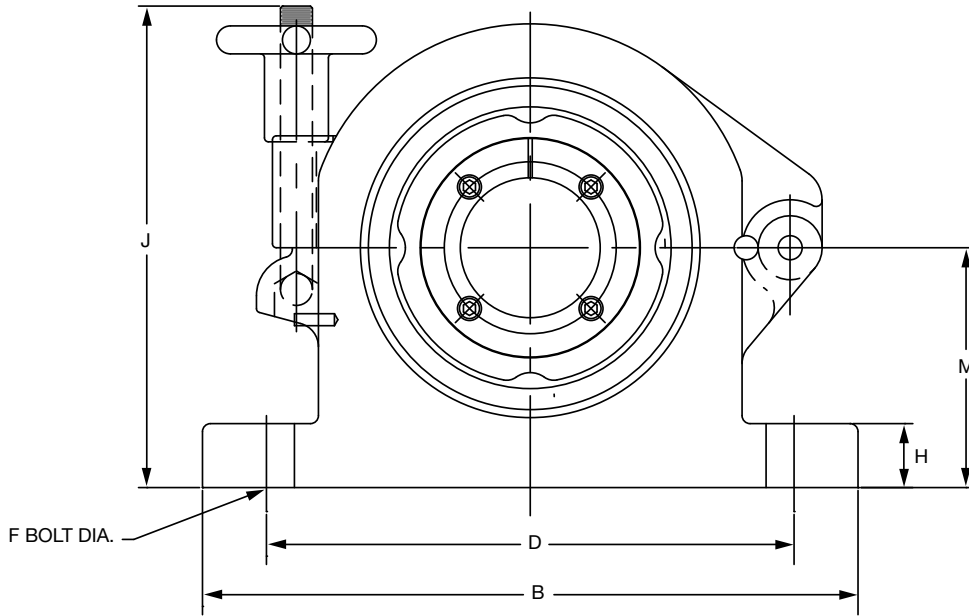
* +.000 -.004"

FEATURES/BENEFITS PAGE B11-3	SPECIFICATION B11-20	HOW TO ORDER B11-21	SELECTION PAGE B11-23
---------------------------------	-------------------------	------------------------	--------------------------



SELECTION/DIMENSIONS

Special Duty Hinged Cap Pillow Block - Inch



FEATURES/BENEFITS PAGE B11-3	SPECIFICATION B11-20	HOW TO ORDER B11-21	SELECTION PAGE B11-23
---------------------------------	-------------------------	------------------------	--------------------------



SELECTION/DIMENSIONS

Special Duty Hinged Cap Pillow Block - Inch

Pillow Block Assembly - Non-Expansion*				Pillow Block Assembly - Expansion			
Shaft Size Inches #	Part Number	Part Name	Weight Lbs (Approx)	Shaft Size Inches #	Part Number	Part Name	Weight Lbs (Approx)
1-3/8	067054	P2B-HC-106	20	1-3/8	067055	P2B-HC-106E	20
1-7/16	067050	P2B-HC-107	20	1-7/16	067051	P2B-HC-107E	20
1-1/2	067056	P2B-HC-108	20	1-1/2	067057	P2B-HC-108E	20
1-11/16	067048	P2B-HC-111	27	1-11/16	067049	P2B-HC-111E	27
1-3/4	067042	P2B-HC-112	27	1-3/4	067043	P2B-HC-112E	27
1-15/16	067052	P2B-HC-115	36	1-15/16	067053	P2B-HC-115E	36
2	067060	P2B-HC-200	36	2	067061	P2B-HC-200E	36
2-3/16	067046	P2B-HC-203	47	2-3/16	067047	P2B-HC-203E	47
2-7/16	067044	P2B-HC-207	60	2-7/16	067045	P2B-HC-207E	60
2-15/16	067072	P2B-HC-215	60	2-15/16	067073	P2B-HC-215E	60

* Furnished Unless Otherwise Specified

Consult DODGE For Sizes Not Listed.

Pillow Block Housing Only Non-Expansion				Pillow Block Housing Only Expansion			
Shaft Size Range Symbol#	Part Number	Part Name	Weight Lbs (Approx)	Shaft Size Range Symbol#	Part Number	Part Name	Weight Lbs (Approx)
106 TO 108	067007*	HS2-HC-406	13	106 TO 108	067016	HS2-HC-406E	13
111 TO 112	067100*	HS2-HC-444	16	111 TO 112	067103	HS2-HC-444E	16
115 TO 200	067031*	HS2-HC-481	23	115 TO 200	067034	HS2-HC-481E	23
203	067120*	HS2-HC-538	26	203	067123	HS2-HC-538E	26
207	067135*	HS2-HC-569	40	207	067138	HS2-HC-569E	40
215	067078*	HS2-HC-656	52	215	067075	HS2-HC-656E	52

* Furnished Unless Otherwise Specified

Consult DODGE For Sizes Not Listed.

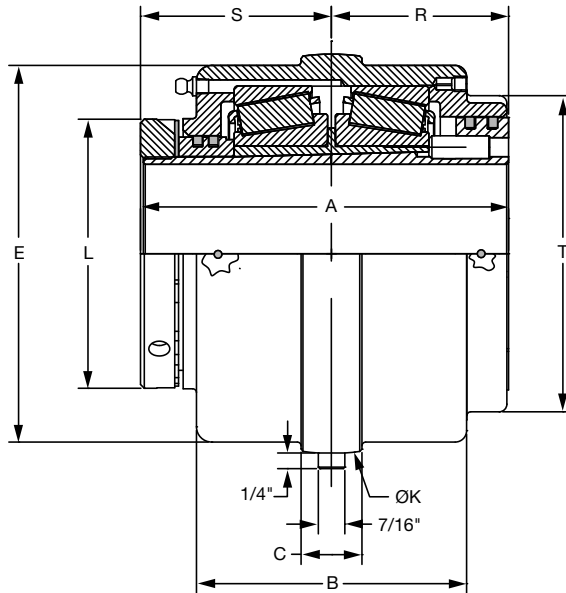
Shaft Size Inches	A	B	C	D	F Dia Bolt	H	J	L	M	N	R	S
1-3/8												
1-7/16	4.13	7.25	3.00	5.88	1/2	.75	6.88	2.44	2.88	3.25	1.94	2.19
1-1/2												
1-11/16	4.25	8.25	3.25	6.88	1/2	.75	6.88	2.81	3.13	3.53	2.00	2.25
1-3/4												
1-15/16	4.44	9.25	3.50	7.69	5/8	.88	7.63	3.06	3.25	3.81	2.13	2.31
2												
2-3/16	4.75	10.25	4.00	8.25	3/4	1.00	7.63	3.44	3.75	4.22	2.25	2.50
2-7/16	5.53	10.25	4.25	8.25	3/4	1.00	9.63	3.81	4.50	4.63	2.56	2.75
2-15/16	6.06	11.13	4.75	9.13	3/4	1.25	10.13	4.44	5.00	5.25	2.94	3.13

FEATURES/BENEFITS PAGE B11-3	SPECIFICATION B11-20	HOW TO ORDER B11-21	SELECTION PAGE B11-23
---------------------------------	-------------------------	------------------------	--------------------------



SELECTION/DIMENSIONS

Special Duty Hinged Cap S-1 Units - Inch



Hinged Cap Pillow Block S-1 Units			
Shaft Size #	Part Number	Part Name	Weight Lbs Approx
1-3/8	067149	S1U406-HC-106	8
1-7/16	067151	S1U406-HC-107	8
1-1/2	067152	S1U406-HC-108	8
1-11/16	067153	S1U444-HC-111	10
1-3/4	067154	S1U444-HC-112	10
1-15/16	067155	S1U481-HC-115	11
2	067156	S1U481-HC-200	11
2-3/16	067157	S1U538-HC-203	16
2-7/16	067159	S1U569-HC-207	19
2-15/16	067164	S1U656-HC-215	30

Consult DODGE For Sizes Not Listed

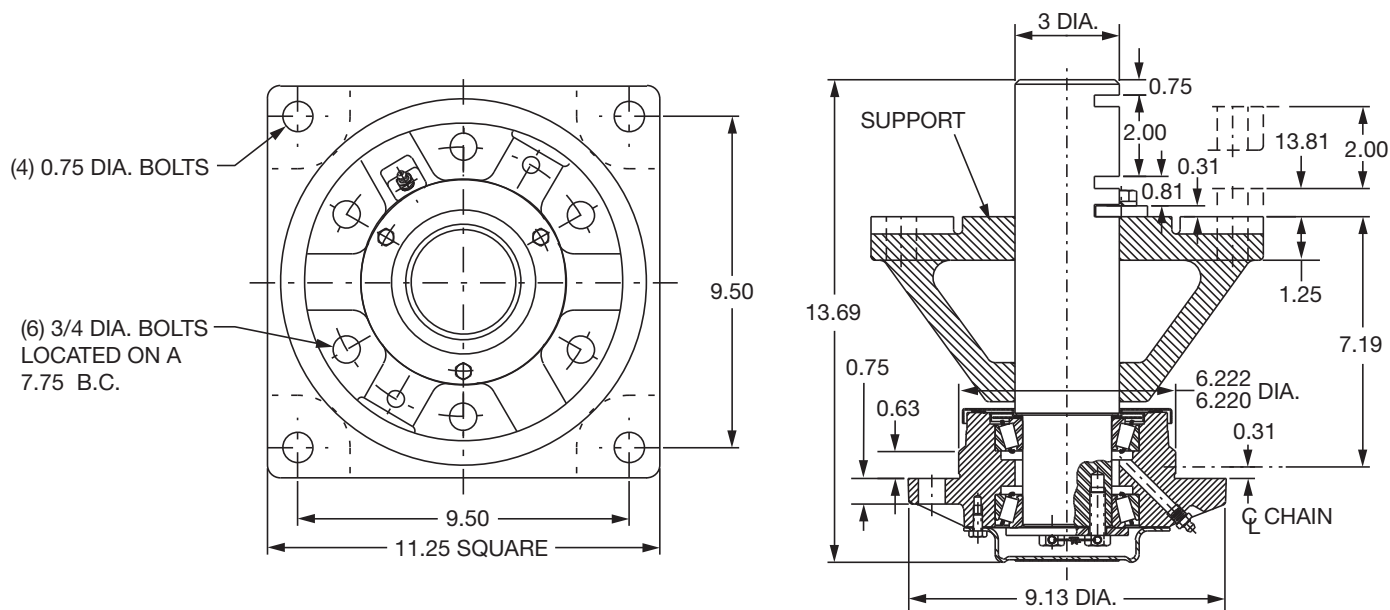
Hinged Caps S-1 Units									
Shaft Size Inches	A	B	C	E	K	L	R	S	T
1-3/8									
1-7/16	4.13	2.69	0.75	3.75	4.06	2.44	1.94	2.19	3.25
1-1/2									
1-11/16	4.25	3.13	0.75	4.13	4.44	2.81	2.00	2.25	3.53
1-3/4									
1-15/16	4.44	3.25	0.88	4.50	4.81	3.06	2.13	2.31	3.81
2									
2-3/16	4.75	3.50	0.88	5.06	5.38	3.44	2.25	2.50	4.22
2-7/16	5.31	4.00	1.00	5.31	5.69	3.81	2.56	2.75	4.63
2-15/16	6.06	4.44	1.00	6.19	6.56	4.44	2.94	3.13	5.25

FEATURES/BENEFITS PAGE B11-3	SPECIFICATION B11-20	HOW TO ORDER B11-21	SELECTION PAGE B11-23
---------------------------------	-------------------------	------------------------	--------------------------



SELECTION/DIMENSIONS

Special Duty Traction Wheel Hub Assemblies - Inch



Traction Wheel Hub Assemblies are constructed to operate with wheels (sprockets) ranging from two to six feet in diameter. Commonly used in overhead chain conveyors, the units bolt directly to the supporting structure and can be adjusted vertically to three different operating positions. The hub utilizes combination seals to protect the tapered roller bearings from dust and dirt and retain lubricant. A high temperature (700°F) unit using sleeve bearings is available. See part number 062070

Traction Wheel Hub Assemblies			
Size #	Part Number	Part Name	Weight Lbs (Approx)
#70	062040	TRW-70	100
#70LS*	422604	TRW-70LS	80
75HT	062070	TRW-75HT	100

Recommended For Conveyors With Chain Nos.	Operating Characteristics		
	RPM	Max. Resultant Load (Lbs)▲	L ₁₀ Hours Life
348	10	3600	★
458	10	8000	
678	10	8000	

Consult DODGE For Sizes Not Listed.

▲ Based on 180- Chain Wrap

★ More Than 100,000 Hrs. Life

* (LS) Less Support - Support For Mounting To Structure Not Included With This Part

(HT) High Temperature Sleeve Bearing

FEATURES/BENEFITS PAGE B11-3	SPECIFICATION B11-20	HOW TO ORDER B11-21	SELECTION PAGE B11-23
---------------------------------	-------------------------	------------------------	--------------------------



SPECIFICATION

All Steel

The standard housing material for All steel mounted bearings is cast steel having a minimum tensile strength of 70,000 psi. The housing is vertically split to enable servicing of the bearing internal components. All Steel pillow blocks are available in both expansion and non expansion types.

All Steel mounted bearings have duplex tapered roller mounted to the shaft with a tapered adaptor sleeve extending thru the

complete length of the pillow block. The tapered roller bearings used in the All Steel mounted bearings all have case carburized inner races (cones), outer race (cup) and rollers.

All Steel mounted bearings have two piston ring seals running in grooves in the adapter nuts at each end of the pillow block to seal the bearings both on and off the shaft.



ALL STEEL PILLOW BLOCKS AVAILABLE IN 4-BOLT BASE 2-11/16" TO 5"

ALL STEEL CARTRIDGE UNITS AVAILABLE IN 2-11/16" TO 4-7/16"



HOW TO ORDER

All Steel

There are two ways to specify DODGE Bearings. Most of the product offering have part numbers with listings shown throughout this catalog. Use of part numbers ensures accurate order processing.

When part numbers are not shown, the product may be specified by description or part name. This method is used when ordering units that include modifications or options. To order by description, use the nomenclature key shown on the next page and add any special instructions to the end of the description for options not covered by the nomenclature.

SPECIAL BEARING REQUIREMENTS AND SPECIAL LUBRICANTS

DODGE All Steel Bearings are factory assembled and pre-lubricated. For applications where extreme ambient temperatures, high speeds or high loads are expected, a variety

of specialty lubricants and adjustments are available. Standard grease provided is Mobilgrease XHP222. Special lubricant options usually involve set-up charges and premiums. To order, specify type of lubricant required at the end of the product name or after the standard part number.

Example:

063360 except with Mobil Grease HTS #2 grease
and or
P4B-AS-215 except with Mobil Grease HTS #2 grease

OTHER SPECIAL BEARING REQUIREMENTS NOT LISTED

For applications requiring modifications not listed, we encourage you to contact our Customer Order Engineering Department for Bearings at 864-284-5700.

Bearing Reference Guide

E-Family Roller Bearings

Specialty Tapered Products

S-2000

UNISPHERE II

IMPERIAL

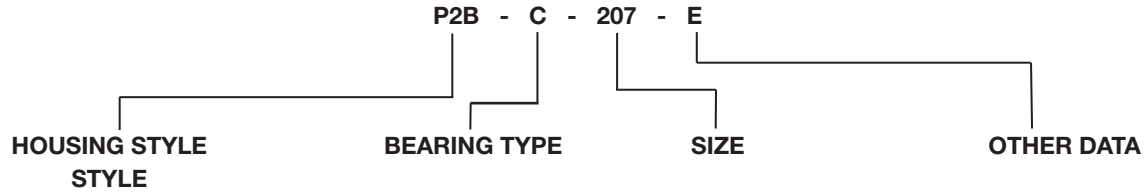
UNIFIED SAF

FEATURES/BENEFITS PAGE B11-4	SPECIFICATION B11-46	SELECTION PAGE B11-49	SELECTION/DIMENSIONS PAGE B11-54
---------------------------------	-------------------------	--------------------------	-------------------------------------



NOMENCLATURE

Specialty Tapered Products



- P2B = PILLOW BLOCK**
2 BOLT, CAST IRON
- P4B = PILLOW BLOCK**
4 BOLT, CAST IRON
- SP4B = PILLOW BLOCK**
4 BOLT, CAST STEEL
- F4B = FLANGE BEARING**
4 BOLT, CAST IRON
- B1U = B-1 UNIT, CAST IRON**
- DU = D UNIT, CAST IRON**
- S1U = S-1 UNIT, CAST IRON**
- CRT = CARTRIDGE UNIT**
DUCTILE IRON END PLATES
- NSTU = NARROW SLOT TAKE UP BEARING, CAST IRON**
- HNG = HANGER BEARING CAST IRON**

- C = TYPE C**
- SD = SPECIAL DUTY**
- HC = HINGED CAP**
- TRW - TRACTION WHEEL**
- AS = ALL STEEL**

- INCHES & 16TH**
2 = 2 INCHES
07 = 7/16 INCHES
OR
207 = 2-7/16"

- E = EXPANSION TYPE BEARING**
IF E DOES NOT APPEAR AFTER SEAL TYPE, THEN BEARING IS NON-EXPANSION TYPE

Bearing Reference Guide

E-Family Roller Bearings

Specialty Tapered Products

S-2000

UNISPHERE II

IMPERIAL

UNIFIED SAF

FEATURES/BENEFITS PAGE B11-4	SPECIFICATION B11-46	SELECTION PAGE B11-49	SELECTION/DIMENSIONS PAGE B11-54
---------------------------------	-------------------------	--------------------------	-------------------------------------



SELECTION

All Steel

DODGE ALL-STEEL DOUBLE ROW TAPERED

ROLLER BEARINGS DODGE All-Steel Double Row Tapered Roller Bearings have the capacity to carry heavy radial loads and combined radial and thrust loads. The maximum recommended load which can be applied is limited by various components in the system such as bearing, housing, shaft, shaft attachment, speed and life requirements as listed in this catalog. DODGE tapered roller bearings have been applied successfully even when these limits have been exceeded under controlled operating conditions. Contact DODGE Application Engineering (864) 284-5700 for applications which exceed the recommendations of this catalog. **L₁₀ Hours Life** - The life which may be expected from at least 90% of a given group of bearings operating under identical conditions.

$$L_{10} = \left(\frac{C_{90}}{P} \right)^{10/3} \times \left(\frac{1,500,000}{\text{RPM}} \right)$$

Where:

C₉₀ = Dynamic Capacity (Table 10, pg. B11-52), lbs.

P = Equivalent Radial Load, lbs.

GENERAL

Heavy Service - For heavy shock loads, frequent shock loads, or severe vibrations, add up to 50% (according to severity of conditions) to the Equivalent Radial Load. Consult DODGE Application Engineering for additional selection assistance.

Thrust load values shown in the table below are recommended as a guide for general applications that will give adequate L₁₀ life for pillow blocks. The maximum thrust load should not exceed values shown on Table 12. Where substantial radial load is also present, it is advisable

to calculate actual L₁₀ life to assure that it meets the requirements. The effectiveness of the shaft attachment to carry thrust load depends on proper tightening, shaft tolerance (see table below) and shaft deflections. Therefore, it is advisable to use auxiliary thrust carrying devices such as shaft shoulder, snap ring or a thrust collar to locate the bearing under thrust loads heavier than shown below, or where extreme reliability is desired.

RPM Range	20 - 200	201 - 2000
RECOMMENDED THRUST LOAD	C ₉₀ /4	C ₉₀ /8

The shaft tolerances recommended below are adequate for normal radial and radial/thrust load applications. Since the allowable load, especially at a low speed, is very large, the shaft should be checked to assure adequate shaft strength.

The magnitude and direction of both the thrust and radial load must be taken into account when selecting a housing. **When pillow blocks are utilized, heavy loads should be directed through the base. Where uplift loads are involved, see Table 15, pg. B11-53 for maximum values.** Where a load pulls the housing away from the mounting base, both the hold-down bolts and housing must be of adequate strength. Auxiliary load carrying devices such as shear bars are advisable for side or end loading of pillow blocks and radial load for flange units.

Shaft Size	Tolerance, Inches
2-11/16 - 4	+.000 To -.004"
4-7/16 - 5	+.000 To -.005"

FEATURES/BENEFITS PAGE B11-4	SPECIFICATION B11-46	HOW TO ORDER/NOMENCLATURE PAGE B11-47	SELECTION/DIMENSIONS PAGE B11-54
---------------------------------	-------------------------	--	-------------------------------------



SELECTION

All Steel

SELECTING BEARINGS SUPPORTING RADIAL LOADS ONLY

1. Define L_{10} Life Hours desired.
2. Establish bearing radial load, F_R ($FR = P$ for Pure Radial Load Conditions).
The DODGE program BEST™* can be used to find application loads.
3. Establish RPM.

Using the easy selection Table 11, pg. B11-52 find, under the RPM column, the equivalent radial load that equals or is higher than the application radial load for the desired life. The shaft size on the far left will be the minimum shaft size that you can use for your application. If the desired life is different than the values shown on the chart, use alternate Method A shown below.

- Example:
1. L_{10} Life = 30,000 Hours
 2. Radial load = 3800 lbs.
 3. RPM = 1,000

At the intersection of the 1,000 RPM column and the 30,000 hours L_{10} life row, the equivalent radial load of 4478 lbs. Exceeds the 3800 lbs. Radial load for shaft sizes 2-11/16 -3". A bearing with bore ranging from 2-11/16 to 3" may be used for this application.

ALTERNATE METHOD A - SELECTING A BEARING FOR AN L_{10} LIFE VALUE NOT SHOWN IN THE EASY SELECTION CHART.

The L_{10} life equation can be rearranged so that the bearing dynamic capacity C is identified in terms of L_{10} , RPM and P.

$$C_{90} = \left(\frac{L_{10} \times \text{RPM}}{1,500,000} \right)^{0.3} \times P$$

(P = FR for Pure Radial Load Conditions)

The DODGE Bearing Evaluation and Selection Technique (BEST) is a menu driven computer program that calculates bearing loads, fatigue life and operating temperature for a two bearing shaft system based on user supplied input parameters. This interactive program is available at www.ptwizard.com under the Product Selection area.

Since the L_{10} , RPM, and P are known, solve for C_{90} . Select from the dynamic capacity column on Table 10, pg. B11-52 the C_{90} value equal to or greater than the C_{90} value just calculated. The bore size on the far left represents the bore size selection. Check that the application RPM does not exceed the MAX. RPM on Table 10. When selecting an L_{10} life of less than 30,000 hours, particular attention must be paid to shaft deflection and proper lubricant selection.

SELECTING BEARINGS SUPPORTING COMBINATION RADIAL AND THRUST LOADS

When a bearing supports both a radial load and a thrust load, the loading on the two rows is shared unequally depending on the ratio of thrust to radial load. The use of the X (radial factor) and Y (thrust factor) from Table 10 converts the applied thrust load and radial loads to an equivalent radial load having the same effect on the life of the bearing as a radial load of this magnitude.

Bearing Reference Guide

E-Family Roller Bearings

Specialty Tapered Products

S-2000

UNISPHERE II

IMPERIAL

UNIFIED SAF

FEATURES/BENEFITS PAGE B11-4	SPECIFICATION B11-46	HOW TO ORDER/NOMENCLATURE PAGE B11-47	SELECTION/DIMENSIONS PAGE B11-54
---------------------------------	-------------------------	--	-------------------------------------



SELECTION

All Steel

The equivalent radial load $P = XF_R + YF_A$

Where:

- P = Equivalent radial load, lbs.
- F_R = Radial load, lbs. (see Table 10 for allowable slip fit maximum)
- F_A = Thrust (axial) load, lbs.
- e = Thrust load to radial load factor (Table 10)
- X = Radial load factor (Table 10)
- Y = Thrust load factor (Table 10)

To find X and Y , calculate F_A/F_R and compare to e for the selected bore size. Determine X and Y from Table 10, depending on whether F_A/F_R is equal to or less than e , or F_A/F_R is greater than e . Substitute all known values into the equivalent radial load equation. P (equivalent radial load) can be used in the life formula to determine L_{10} , or it can be compared to the allowable equivalent radial load ratings for the speed and hours life desired in the easy selection Table 11, pg. B11-52.

SELECTING BEARINGS SUPPORTING ONLY THRUST LOADS

Tapered Roller Bearings perform extremely well under pure thrust load applications. Use $P = YF_A$ for the equivalent radial load. The value of Y is obtained from Table 1, pg. for $F_A/F_R > e$. Substitute Y and F_A into the equivalent load equation. P (equivalent radial load) can be used in the life formula to determine L_{10} or it can be compared to the allowable equivalent radial load ratings for the speed and hours life desired in the easy selection Table 11, pg. B11-52.

LUBRICATION

DODGE All Steel Double Row Tapered roller bearings are lubricated at the factory with a superior industrial grease that uses a lithium hydroxystearate thickener and highly refined base oil. This grease will adequately handle low and medium speeds with low and medium loads at normal temperatures as defined on Table 14, pg. B11-53. For very low and high speeds, for heavy loads and for low and high temperatures, special greases must be used. Contact DODGE Application Engineering (864) 284-5700. DODGE engineers will recommend bearings and lubricants for the above unusual conditions. DODGE also has the expertise to custom design and build special bearings for your needs. The only maintenance requirement for DODGE Tapered roller bearings is periodic relubrication at regular intervals as outlined in the appropriate instruction manuals.

INSTALLATION AND MAINTENANCE

In nearly all applications good design practice requires two bearings supporting the shaft. In cases where three or more bearings are installed, unless precautions are taken to line the bearings up, both vertically and horizontally, it is possible to induce heavy loads. In the case of two bearings, alignment is not as critical, especially with DODGE All Steel Double Row Tapered Roller Bearings. All Steel bearings are designed to allow as much as 1° to 2° of static misalignment depending on bore size. To ensure good alignment, mounting surfaces must be checked for flatness and must lie in the same plane. When tightening base bolts and cap bolts, each bolt should be alternately tightened in incremental torque values until full torque is achieved. Shimming may be required to minimize misalignment.

FEATURES/BENEFITS PAGE B11-4	SPECIFICATION B11-46	HOW TO ORDER/NOMENCLATURE PAGE B11-47	SELECTION/DIMENSIONS PAGE B11-54
---------------------------------	-------------------------	--	-------------------------------------



SELECTION

All Steel

Table 10: All Steel Double Row Tapered Roller Bearings Radial and Thrust Factors

Shaft Size	e	Fa/Fr ≤ e		Fa/Fr > e		Dynamic Capacity C ₉₀ *		Maximum RPM
		X	Y	X	Y	Lbs.	Newtons	
2-11/16 - 3	0.43	0.87	2.02	0.70	2.44	11,000	48,945	1,880
3-1/4 - 3-1/2	0.49	0.87	1.77	0.70	2.14	21,000	93,441	1,520
3-15/16 - 4	0.34	0.87	2.53	0.70	3.06	23,000	102,340	1,340
4-7/16 - 4-1/2	0.36	0.87	2.45	0.70	2.96	34,500	153,510	1,210
4-15/16 - 5	0.34	0.87	2.53	0.70	3.06	35,400	157,515	1,070

COMPARING SPHERICAL TO TAPER ROLLER BEARING

The dynamic capacity C (spherical) and C₉₀ (taper) are not to the same base. To compare basic dynamic capacities, multiply C x .259 and compare to C₉₀.

★ C₉₀- Dynamic capacity based on a rated life of 90 million revolutions or 3000 hours at 500 RPM

Table 11: Easy Selection Table Dodge All-steel Double Row Tapered Roller Bearings

Shaft Size	Hours Life	Allowable Equivalent Radial Load Rating (Lbs.) at Various Revolutions Per Minute *															
		50	100	250	500	750	1000	1070	1210	1340	1520	1880	2180	2300	2700	2900	3250
2-11/16	5,000	18,829	15,294	11,618	9,437	8,356	7,665	7,511	7,239	7,021	6,760	6,343	6,067	5,971	5,690	5,569	5,382
	10,000	15,294	12,423	9,437	7,665	6,787	6,226	6,101	5,880	5,703	5,491	5,152	4,928	4,850	4,622	4,524	4,372
	30,000	11,000	8,935	6,787	5,513	4,882	4,478	4,388	4,229	4,102	3,949	3,705	3,544	3,488	3,324	3,254	3,144
	50,000	9,437	7,665	5,823	4,730	4,188	3,842	3,765	3,628	3,519	3,388	3,179	3,041	2,992	2,852	2,791	2,698
	100,000	7,665	6,226	4,730	3,842	3,402	3,120	3,058	2,947	2,858	2,752	2,582	2,470	2,431	2,316	2,267	2,191
3-1/4	5,000	35,947	29,198	22,181	18,016	15,953	14,634	14,340	13,820	13,404	12,906	12,109	11,583	11,398	10,863	10,633	10,275
	10,000	29,198	23,716	18,016	14,634	12,958	11,886	11,647	11,226	10,887	10,483	9,836	9,408	9,258	8,823	8,636	8,346
	30,000	21,000	17,057	12,958	10,525	9,319	8,549	8,377	8,074	7,830	7,540	7,074	6,767	6,659	6,346	6,211	6,003
	50,000	18,016	14,634	11,117	9,030	7,995	7,334	7,187	6,927	6,718	6,468	6,069	5,805	5,713	5,444	5,329	5,150
	100,000	14,634	11,886	9,030	7,334	6,494	5,957	5,838	5,626	5,457	5,254	4,929	4,715	4,640	4,422	4,328	4,183
3-15/16	5,000	39,371	31,979	24,293	19,732	17,472	16,027	15,705	15,137	14,680	14,135	13,262	12,686	12,484	11,897	11,645	11,254
	10,000	31,979	25,975	19,732	16,027	14,192	13,018	12,757	12,295	11,924	11,482	10,772	10,304	10,140	9,664	9,459	9,141
	30,000	23,000	18,682	14,192	11,527	10,207	9,363	9,175	8,843	8,576	8,258	7,748	7,411	7,293	6,950	6,803	6,574
	50,000	19,732	16,027	12,175	9,889	8,757	8,033	7,871	7,586	7,358	7,085	6,647	6,358	6,257	5,963	5,836	5,640
	100,000	16,027	13,018	9,889	8,033	7,113	6,525	6,394	6,162	5,976	5,754	5,399	5,164	5,082	4,843	4,741	4,581
4-7/16	5,000	59,056	47,968	36,440	29,598	26,208	24,041	23,558	22,705	22,020	21,203	19,893	19,029	18,726	17,846	17,468	16,881
	10,000	47,968	38,962	29,598	24,041	21,288	19,527	19,135	18,442	17,886	17,222	16,158	15,456	15,210	14,496	14,188	13,711
	30,000	34,500	28,023	21,288	17,291	15,311	14,045	13,762	13,264	12,864	12,387	11,622	11,117	10,939	10,426	10,204	9,862
	50,000	29,598	24,041	18,263	14,834	13,135	12,049	11,807	11,379	11,036	10,627	9,970	9,537	9,385	8,944	8,755	8,460
	100,000	24,041	19,527	14,834	12,049	10,669	9,787	9,590	9,243	8,964	8,632	8,098	7,747	7,623	7,265	7,111	6,872
4-15/16	5,000	60,597	49,220	37,390	30,370	26,892	24,668	24,173	23,297	22,595	21,756	20,412	19,526	19,214	18,312	17,923	17,321
	10,000	49,220	39,979	30,370	24,668	21,843	20,037	19,634	18,923	18,353	17,672	16,580	15,860	15,607	14,874	14,558	14,069
	30,000	35,400	28,754	21,843	17,742	15,710	14,411	14,121	13,610	13,200	12,710	11,925	11,407	11,225	10,698	10,471	10,119
	50,000	30,370	24,668	18,739	15,221	13,478	12,363	12,115	11,676	11,324	10,904	10,230	9,786	9,630	9,178	8,983	8,681
	100,000	24,668	20,037	15,221	12,363	10,947	10,042	9,840	9,484	9,198	8,857	8,310	7,949	7,822	7,455	7,296	7,051

FEATURES/BENEFITS PAGE B11-4	SPECIFICATION B11-46	HOW TO ORDER/NOMENCLATURE PAGE B11-47	SELECTION/DIMENSIONS PAGE B11-54
---------------------------------	-------------------------	--	-------------------------------------

SELECTION



Bearing Reference Guide
 E-Family Roller Bearings
 Specialty Tapered Products
 S-2000
 UNISPHERE II
 IMPERIAL
 UNIFIED SAF

All Steel

Table 12: All-steel Pillow Block Housing Permissible Thrust Load, Lbs.

Bore Size, Inches	Max. Thrust (Lbs.)
2-11/16 - 3	9300
3-1/4 - 3-1/2	13800
3-15/16 - 4	13300
4-7/16 - 4-1/2	10400
4-15/16 - 5	14000

Table 13: All-steel Pillow Block And Cartridge Total Expansion Capability

Bore Size, Inches	Expansion (Inches)
2-11/16 - 3	3/8
3-1/4 - 3-1/2	3/8
3-15/16 - 4	3/8
4-7/16 - 4-1/2	3/8
4-15/16 - 5	25/64

Table 14: Definition Of Operating Conditions For Tapered Roller Bearings

Low Speed	Up To 20% Of Max. RPM (Table 10)
Medium Speed	Over 20% To 80% Of Max. RPM
High Speed	Over 80% Of Max. RPM
Light Load	Up To 30% Of C ₉₀ (Table 10)
Normal Load	Over 30% To 70% Of C ₉₀
Heavy Load	Over 70% Of C ₉₀
Low Temperature	-100°F To 20°F
Medium Temperature	Over 20°F To 200°F
High Temperature	Over 200°F To 300°F
Very High Temperature	Over 300°F To 400°F

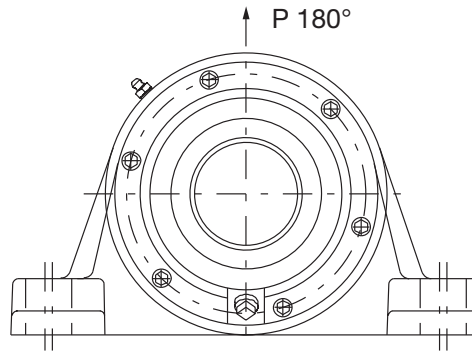


Table 15: Housing Ratings All-steel Pillow Block

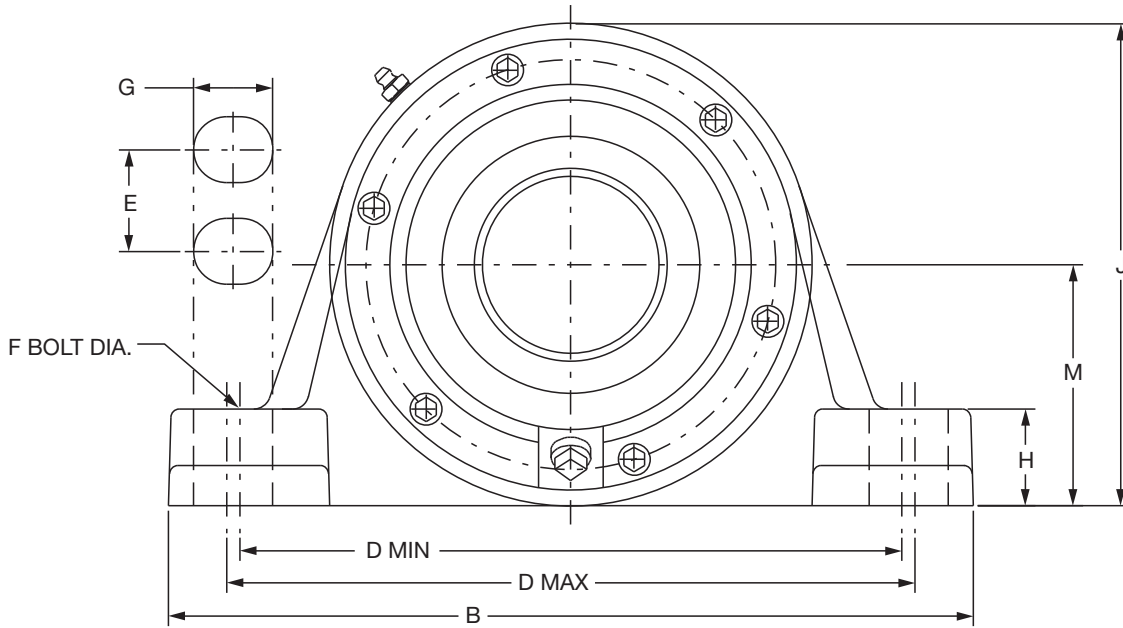
SHAFT SIZE, (INCHES)	HOUSING STRENGTH, LBS.
	180°
2-11/16 - 3	30000
3-1/4 - 3-1/2	32000
3-15/16 - 4	34000
4-7/16 - 4-1/2	39000
4-15/16 - 5	39000

FEATURES/BENEFITS PAGE B11-4	SPECIFICATION B11-46	HOW TO ORDER/NOMENCLATURE PAGE B11-47	SELECTION/DIMENSIONS PAGE B11-54
---------------------------------	-------------------------	--	-------------------------------------

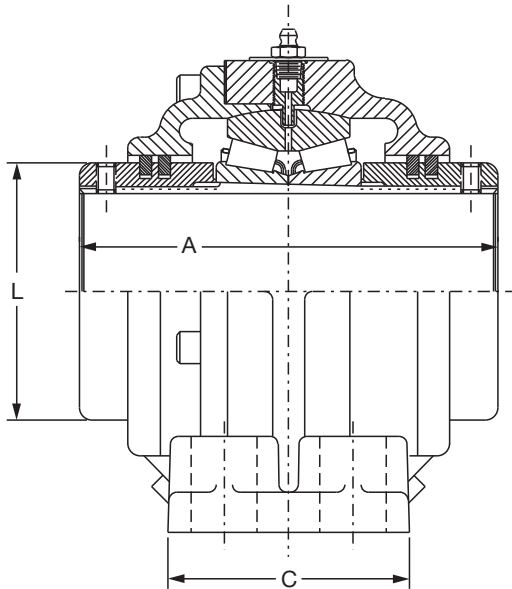
SELECTION/DIMENSIONS



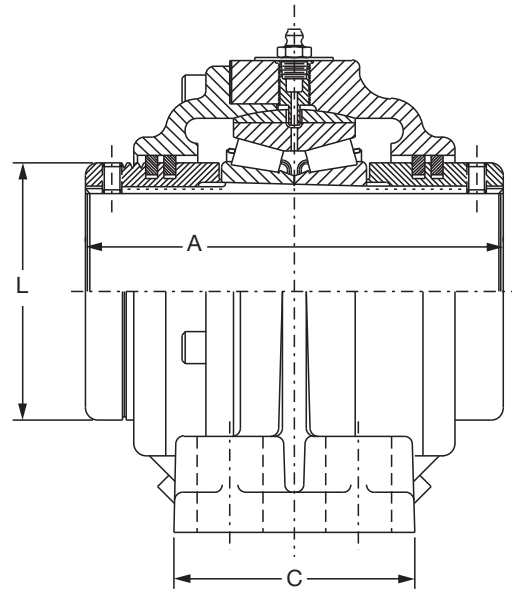
All Steel Pillow Block - Inch 4-BOLT BASE



NOTE: All sizes use a 1/8 - 27 NPT hydraulic grease fitting



NON-EXPANSION CONSTRUCTION



EXPANSION CONSTRUCTION

<p>FEATURES/BENEFITS PAGE B11-4</p>	<p>SPECIFICATION B11-46</p>	<p>HOW TO ORDER/NOMENCLATURE PAGE B11-47</p>	<p>SELECTION PAGE B11-49</p>
---	---------------------------------	--	----------------------------------



SELECTION

All Steel Pillow Block - Inch 4-BOLT BASE

Cast Steel Non-Expansion*				Cast Steel Expansion			
Shaft Size Inches #	Part Number	Part Name	Weight Lbs Approx	Shaft Size Inches #	Part Number	Part Name	Weight Lbs Approx
2-11/16	063359	SP4B-AS-211	45	2-11/16	063389	SP4B-AS-211E	45
2-15/16	063360	SP4B-AS-215	42	2-15/16	063390	SP4B-AS-215E	42
3	063361	SP4B-AS-300	41	3	063411	SP4B-AS-300E	41
3-7/16	063362	SP4B-AS-307	77	3-7/16	063392	SP4B-AS-307E	77
3-1/2	063363	SP4B-AS-308	77	3-1/2	063393	SP4B-AS-308E	77
4-7/16	063366	SP4B-AS-407	149	4-7/16	063396	SP4B-AS-407E	149

* Furnished Unless Otherwise Specified

Consult DODGE For Sizes Not Listed.

Consult DODGE For Sizes Not Listed.

Shaft Size Inches	A	B	C	D		E	F Bolt Dia.	G	H	J	L	M	Exp*
				Min.	Max.								
2-11/16	6.50	12.50	3.75	10.31	10.69	2.00	5/8	0.94	1.63	7.50	4.00	3.75	3/8
2-15/16													
3													
3-7/16	7.75	14.50	4.50	11.88	12.63	2.38	3/4	1.13	1.88	9.00	4.69	4.50	3/8
3-1/2													
4-7/16													
4-7/16	9.75	18.75	5.25	14.81	15.69	3.25	7/8	1.31	2.25	11.38	6.00	5.75	3/8

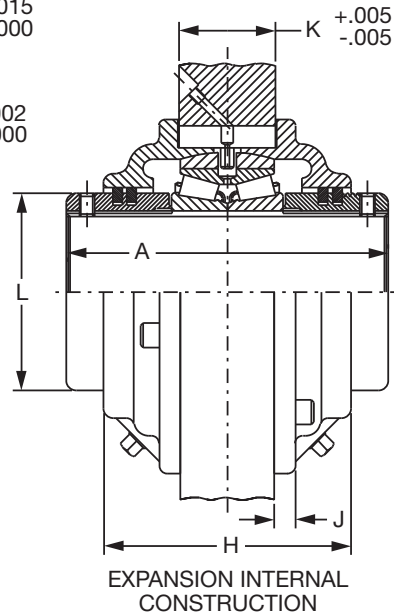
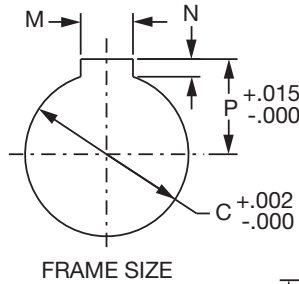
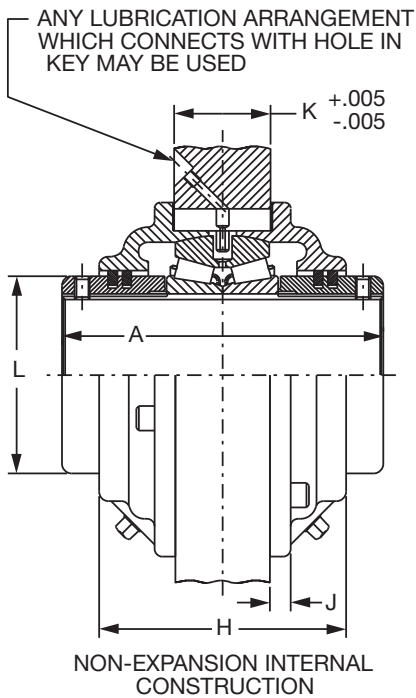
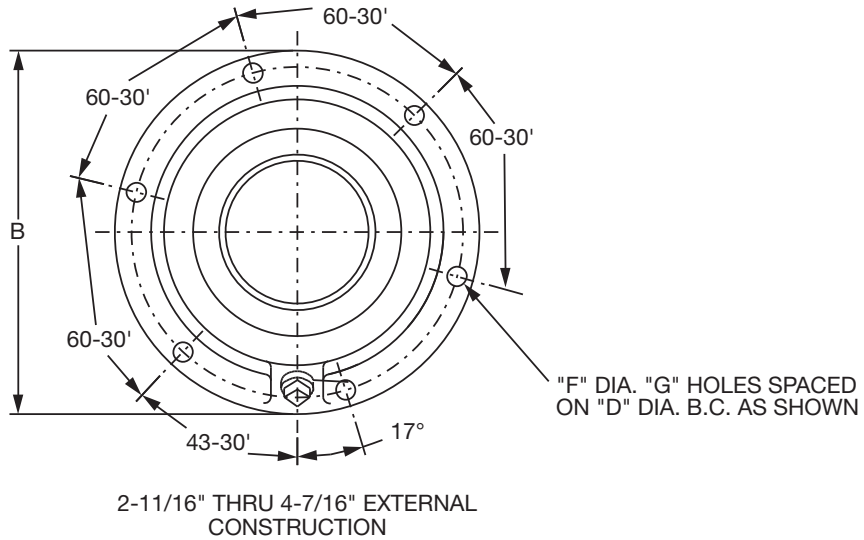
* Total Expansion for Expansion Bearing Only

FEATURES/BENEFITS PAGE B11-4	SPECIFICATION B11-46	HOW TO ORDER/NOMENCLATURE PAGE B11-47	SELECTION/DIMENSIONS PAGE B11-54
---------------------------------	-------------------------	--	-------------------------------------

SELECTION/DIMENSIONS



All Steel Cartridge Units - Inch



FEATURES/BENEFITS PAGE B11-4	SPECIFICATION B11-46	HOW TO ORDER/NOMENCLATURE PAGE B11-47	SELECTION PAGE B11-49
---------------------------------	-------------------------	--	--------------------------

SELECTION/DIMENSIONS



All Steel Cartridge Units - Inch

Cast Steel Non-Expansion*				Cast Steel Expansion			
Shaft Size Inches #	Part Number	Part Name	Weight Lbs Approx	Shaft Size Inches #	Part Number	Part Name	Weight Lbs Approx
2-11/16	063420	CRT-AS-211	30	2-11/16	063450	CRT-AS-211E	30
2-15/16	063421	CRT-AS-215	30	2-15/16	063451	CRT-AS-215E	30
3	063422	CRT-AS-300	30	3	063452	CRT-AS-300E	30
3-7/16	063424	CRT-AS-307	55	3-7/16	063454	CRT-AS-307E	55
3-15/16	063426	CRT-AS-315	65	3-15/16	063456	CRT-AS-315E	65
4-7/16	063429	CRT-AS-407	110	4-7/16	063459	CRT-AS-407E	110

* Furnished Unless Otherwise Specified

Consult DODGE For Sizes Not Listed.

Consult DODGE For Sizes Not Listed.

Shaft Size Inches	A	B	C	D	F Bolt Dia.	G	H	J	K	L	M	N	P	Exp*
2-11/16														3/8
2-15/16	6.50	7.13	5.70	6.38	3/8	6.00	4.88	0.38	2.19	4.00	1.00	5/8	3.43	
3														
3-7/16	7.75	8.75	7.20	7.13	7/16	6.00	6.03	0.84	2.75	4.69	1.00	5/8	4.19	
3-15/16	8.00	9.50	7.89	8.53	7/16	6.00	5.97	0.84	3.13	5.44	1.00	5/8	4.54	
4-7/16	9.25	10.84	9.07	9.88	1/2	6.00	7.00	0.50	3.50	6.06	1.00	5/8	5.13	

* Total Expansion for Expansion Bearing Only

Bearing Reference Guide

E-Family Roller Bearings

Specialty Tapered Products

S-2000

UNISPHERE II

IMPERIAL

UNIFIED SAF

FEATURES/BENEFITS PAGE B11-4	SPECIFICATION B11-46	HOW TO ORDER/NOMENCLATURE PAGE B11-47	SELECTION PAGE B11-49
---------------------------------	-------------------------	--	--------------------------



NOTES

Bearing Reference
Guide

E-Family Roller
Bearings

Specialty Tapered
Products

S-2000

UNISPHERE II

IMPERIAL

UNIFIED SAF

CONTENTS



S-2000

Features / Benefits	B12-2
Specifications.....	B12-4
How to Order	B12-4
Nomenclature.....	B12-5
Selection	B12-7
Dimensions	
Pillow Block	B12-14
Flanges	B12-30
Piloted Flange.....	B12-38
Wide-Slot Take-Ups	B12-42
TP Take-Up.....	B12-46
Bearing Inserts	B12-48
End Cap	B12-50
Part Number Index	INDEX-1
Key Word Index	KEYWORD-1

Bearing Reference Guide

E-Family Roller Bearings

Specialty Tapered Products

S-2000

UNISPHERE II

IMPERIAL

UNIFIED SAF



FEATURES/BENEFITS

Bearing Reference Guide

E-Family Roller Bearings

Specialty Tapered Products

S-2000

UNISPHERE II

IMPERIAL

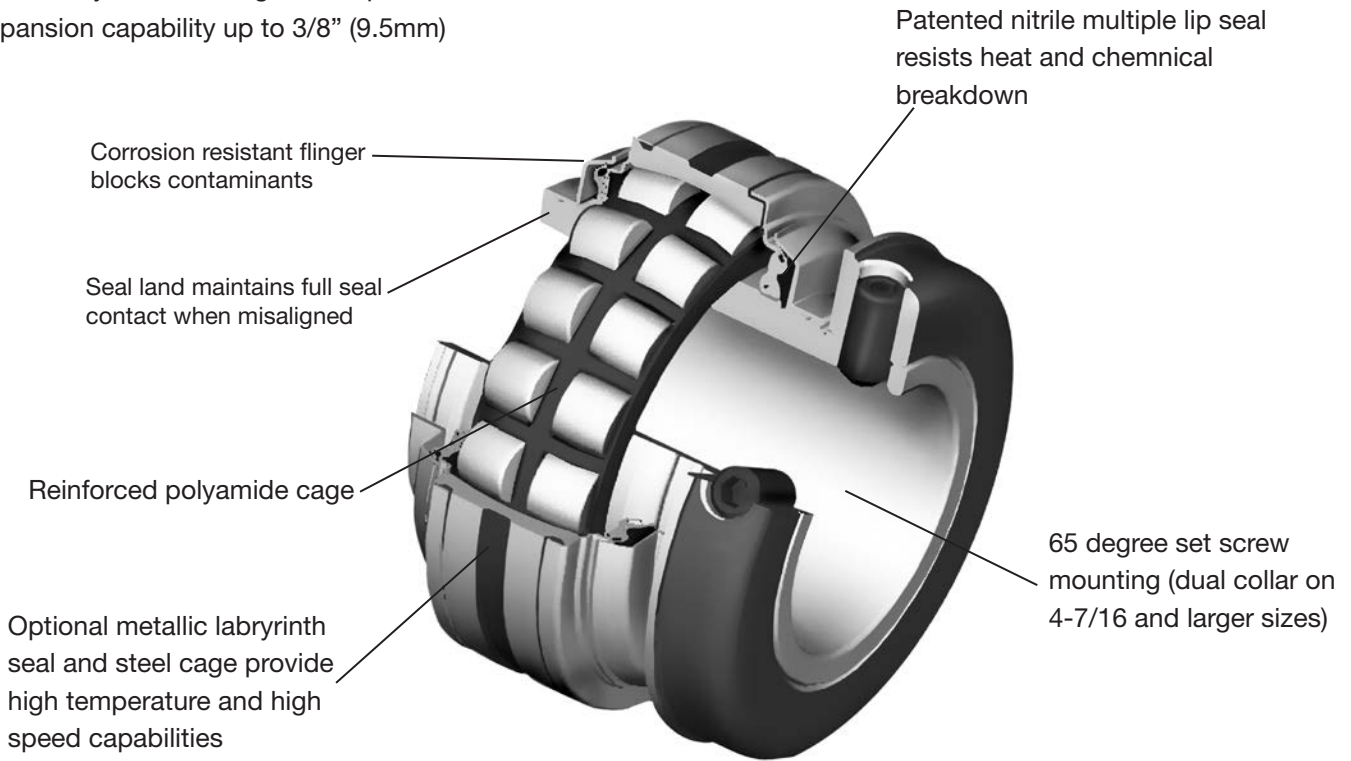
UNIFIED SAF

S-2000

Longer Bearing Life By Design . . .

High capacity double row spherical rollers offer up to 250% more L₁₀ life than competitive brands

- Larger rollers
- More contact area
- Case-carburized inner rings resist cracking
- Static or dynamic misalignment up to ± 1°
- Expansion capability up to 3/8" (9.5mm)



Installation Savings . . .

- Factory lubed, sealed and adjusted, ready to slip onto the shaft
- 65° Springlok collar mount for increased holding power versus 90° or 120°
- Field convertible from non-expansion to expansion and expansion to non-expansion
- Elongated pillow block bolt holes to facilitate mounting



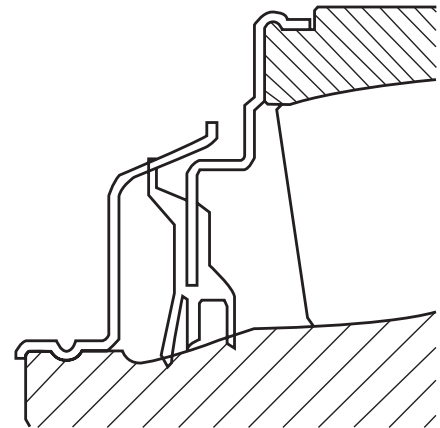
FEATURES/BENEFITS

S-2000

S-2000 Bearings Offer Patented Seal Options To Maximize Bearing Life . . .

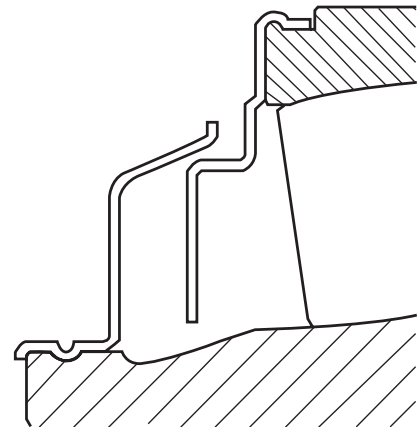
TRIDENT™ Seals for low to medium speed

- Face rubbing triple lip seal
- Flinger to shield seal and bearing from contamination/damage
- Seal/land positive contact up to $\pm 1^\circ$ degree of misalignment
- Patented design



Labyrinth seals for higher speeds

- High speed for relatively clean environments
- Flinger shields seal and bearing from contamination/damage
- Seal operates with up to $\pm 1^\circ$ degree of misalignment
- Patented design



NOTE: Instruction manuals for Dodge bearings are available on www.dodge-pt.com



SPECIFICATION

S-2000

INCH

DODGE Spherical Bearings, including S-2000 bearings, are general purpose, high-capacity, double-row spherical roller bearings. All are mounted in single piece precision machined housings. Bearings are mounted to shafts by means of set screw collars, with 65 degree set screw spacing for maximum clamping force.

ASTM A48 Class 30 cast iron is the standard material used in S-2000 housings. A-27 Grade 70-36 Class 1 Steel is the standard material used in Steel S2000-HD

housings. Housing designs are available for survival in extreme harsh environments, through the use of special finishes and stainless hardware.

Housings are available in a variety of standard configurations, including pillow blocks, flanges, piloted flanges and take-up bearings. TRIDENT triple lip contact seal and Labyrinth seals are available on S-2000 bearings.



HOW TO ORDER

There are two ways to specify DODGE Bearings. Most of the product offerings have part numbers with listings shown throughout this catalog. Use of part numbers ensures accurate order processing.

When part numbers are not shown, the product may be specified by description or part name. This method is used when ordering units that include modifications or options. To order by description, use the nomenclature key shown on page B12-5 and add any special instructions to the end of the description for options not covered by the nomenclature.

DODGE Spherical Bearings are factory adjusted and pre-lubricated. For applications where extreme ambient temperatures, high speeds, or high loads are expected, a variety of specialty lubricants is available. Standard grease provided is lithium complex base Mobilgrease XHP222. High temperature

greases available include Mobil HTS #2. Other special lubricants are available upon request. Special lubricant options usually involve set-up charges, minimum quantities and list price premiums. To order, specify type of lubricant required at the end of the product name or after the standard part number.

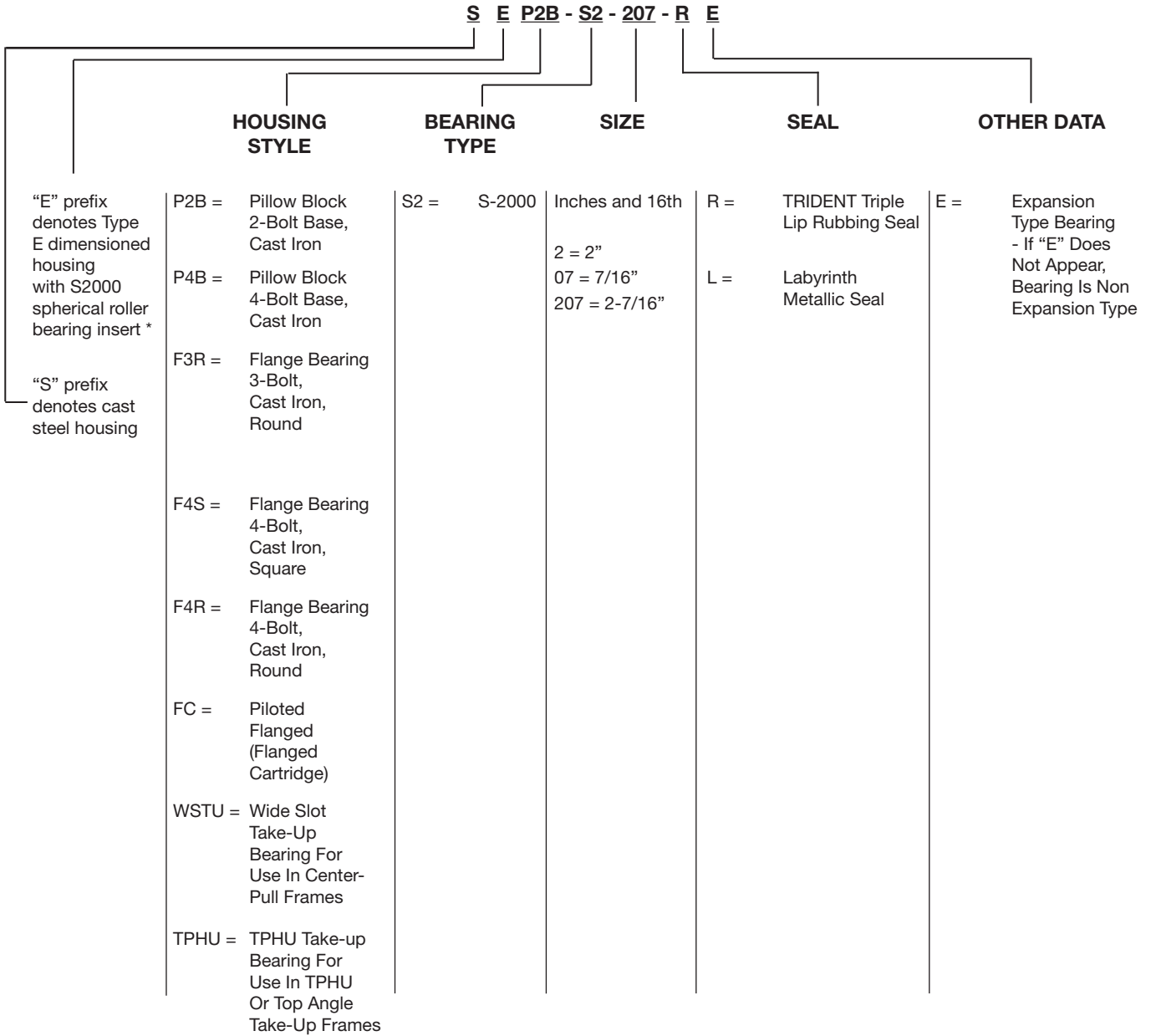
Example: 070320 except with Mobil HTS #2 grease
or
P2BS2108L except with Mobil HTS #2 grease

For applications requiring modifications not listed, we encourage you to contact our Application Engineering Department for Bearings at 864-284-5700.

NOMENCLATURE



S-2000



* Available in two or four bolt pillow blocks, four bolt square flanges and piloted flanges

FEATURES/BENEFITS PAGE B12-2	SPECIFICATION PAGE B12-4	SELECTION PAGE B12-7	DIMENSIONS PAGE B12-14
---------------------------------	-----------------------------	-------------------------	---------------------------



FEATURES/BENEFITS

Bearing Reference Guide

E-Family Roller Bearings

Specialty Tapered Products

S-2000

UNISPHERE II

IMPERIAL

UNIFIED SAF

S-2000-E



- Interchangeable with Type E style pillow blocks and flanges
- Same proven DODGE S-2000 double row spherical insert
- 65° springlock collar mounting
- Up to $\pm 1^\circ$ misalignment capability
- Seal land on OD of inner ring maintains full contact pressure even when misaligned
- High capacity double row spherical bearing
- 2-bolt pillow blocks in sizes 1-3/8 to 3-7/16"
- 4-bolt pillow blocks in sizes 2-7/16 to 4-15/16"
- Flange bearings in sizes 1-3/8 to 4-7/16"
- Piloted flange bearings in sizes 1-3/8 to 4-15/16"

S-2000-HD



Dodge S2000-HD mounted bearings feature proven S2000 technology deployed in steel housings designed specifically for harsh applications that demand superior housing strength. Major features include set screw mounting systems, high capacity cast steel housings with industry common dimensions, as well as high capacity, double row spherical inserts that are protected with either one of two effective sealing systems plus both closed & shaft-through end covers.

In addition, S2000-HD feature single piece, sealed inserts that can be easily replaced in the field, without the time & trouble of a bearing tear down & rebuild. Field conversion between Non-Expansion & Expansion (fixed & float) can also be accomplished with the repositioning of a single snap ring.

Housing configurations include two and four bolt base pillow blocks, and four bolt flanges.



SELECTION

S-2000 SPHERICAL ROLLER BEARINGS

DODGE Spherical Roller Bearings have the capacity to carry heavy radial loads and combined radial and thrust loads. The maximum recommended load which can be applied is limited by various components in the system such as bearing, housing, shaft, shaft attachment, speed and life requirements as listed in this catalog. DODGE spherical roller bearings have been applied successfully even when these limits have been exceeded under controlled operating conditions. Contact DODGE Application Engineering (864-284-5700) for applications which exceed the recommendations of this catalog.

L₁₀ Hours Life - The life which may be expected from at least 90% of a given group of bearings operating under identical conditions.

$$L_{10} \text{ Life, Hours} = \left(\frac{C}{P} \right)^{10/3} \times \left(\frac{16667}{\text{RPM}} \right)$$

Where: C = Dynamic Capacity
(Table 1 on page B12-9) lbs.

P = Equivalent Radial Load, lbs.

GENERAL

Heavy Service - For heavy shock loads, frequent shock loads, or severe vibrations, add up to 50% (according to severity of conditions) to the Equivalent Radial Load to obtain a Modified Equivalent Radial Load. Consult DODGE Application Engineering for additional selection assistance.

Thrust load values shown in the table below are recommended as a guide for general applications that will give adequate L₁₀ life. Spherical bearings require a radial load at least equal to the thrust load for proper operation. If the thrust load exceeds this limit, consult Application Engineering. Where substantial radial load is also present, it is advisable to calculate actual L₁₀ life to assure that it meets the requirements. The effectiveness of the shaft attachment to carry thrust load depends on proper tightening of the set screws, shaft tolerance and shaft deflections. Therefore, it is advisable to use auxiliary thrust carrying devices such as shaft shoulder, snap ring or a thrust collar to locate the bearing under thrust loads heavier than shown below, or where extreme reliability is desired.

RPM	20-200	201 - 2000	Over 2000
Recommended Thrust Load	C/20	C/40	C/60

The shaft tolerances recommended below are adequate for normal radial and radial/thrust load applications. The radial load is limited by the attachment to the shaft (see Table 1 on page B12-9). Where the applied radial load (F_R) exceeds this limit (maximum allowable slip fit radial load), a snug-to-light press fit of the shaft is required. Since the allowable load, especially at a

low speed, is very large, the shaft should be checked to assure adequate shaft strength.

The magnitude and direction of both the thrust and radial load must be taken into account when selecting a housing. **When pillow blocks are utilized, heavy loads should be directed through the base. Where uplift loads are involved, see Tables 6, 7 and 8 on pages B12-12 and B12-13 and for maximum values.** Where a load pulls the housing away from the mounting base, both the hold-down bolts and housing must be of adequate strength. Auxiliary load carrying devices such as shear bars are advisable for side or end loading of pillow blocks and radial loads for flange units.

Shaft Tolerances	
Shaft Size	S-2000
UP TO 1-1/2"	+0.0000 -0.0005"
1-9/16 TO 4"	+0.000 -0.001"
4-7/16 TO 5"	+0.000 -0.0015"

BEARING SUPPORTING RADIAL LOADS ONLY

1. Define L₁₀ Life Hours desired.
2. Establish bearing radial load, F_R

(F_R = P for Pure Radial Load Conditions). The DODGE program BEST™* can be used to find application loads.

3. Establish RPM.

Using the easy selection Table 4 on page B12-10, find, under the RPM column, the equivalent radial load that equals or is slightly higher than the application radial load for the desired life. The shaft size on the far left will be the minimum shaft size that you can use for your application. If the desired life is different than the values shown on the chart, use alternate Method A shown below.

- Example:
1. L₁₀ Life = 30,000 Hours
 2. Radial load = 4000 lbs.
 3. RPM = 1,020

At the intersection of the 1,020 RPM column and the 30,000 hours L₁₀ life row, the equivalent radial load of 4092 lbs. exceeds the 4000 lbs. radial load for shaft size 2-7/16". A bearing with bore 2-7/16", or larger, may be used for this application.

* The DODGE Bearing Evaluation and Selection Technique (BEST) is a menu driven computer program that calculates bearing loads, fatigue life and operating temperature for a two bearing shaft system based on user supplied input parameters. This interactive program is available at www.ptwizard.com under the Product Selection area.



SELECTION

Bearing Reference Guide

E-Family Roller Bearings

Specialty Tapered Products

S-2000

UNISPHERE II

IMPERIAL

UNIFIED SAF

ALTERNATE METHOD A - SELECTING A BEARING FOR AN L₁₀ LIFE VALUE NOT SHOWN IN THE EASY SELECTION CHART.

The L₁₀ life equation can be rearranged so that the bearing dynamic capacity **C** is identified in terms of L₁₀, RPM and P

$$C = \left(\frac{L_{10} \times \text{RPM}}{16667} \right)^{0.3} \times P$$

(P = F_R for Pure Radial Load Conditions)

Since the L₁₀, RPM and P are known, solve for C. Select from the dynamic capacity column on Table 1 on page B12-9 the **C** value equal to or greater than the **C** value just calculated. The bore size on the far left represents the proper bore size selection. Check that the application RPM does not exceed the MAX. RPM on Table 1. Also check that the radial load does not exceed the Maximum Allowable Slip Fit Radial Load shown on Table 1 on page B12-9. If it does, a line-to-line to light press fit of shaft is required. When selecting an L₁₀ life of less than 30,000 hours, particular attention must be paid to shaft deflection and proper lubricant selection.

SELECTING BEARINGS SUPPORTING COMBINATION RADIAL AND THRUST LOADS

When a bearing supports both a radial load and a thrust load, the loading on the two rows is shared unequally depending on the ratio of thrust to radial load. The use of the X (radial factor) and Y (thrust factor) from Table 1 converts the applied thrust load and radial loads to an equivalent radial load having the same effect on the life of the bearing as a radial load of this magnitude.

The equivalent radial load $P = XF_R + YF_A$

Where:

P = Equivalent radial load, lbs.

F_R = Radial load, lbs. (see Table 1 for allowable slip fit maximum load)

F_A = Thrust (axial) load, lbs.

e = Thrust load to radial load factor (Table 1)

X = Radial load factor (Table 1)

Y = Thrust load factor (Table 1)

To find X and Y, calculate F_A/F_R and compare to **e** for the selected bore size. Determine X and Y from Table 1 on page B12-9 depending on whether F_A/F_R is equal to or less than **e**,

or F_A/F_R is greater than **e**. Substitute all known values into the equivalent radial load equation. P (equivalent radial load) can be used in the life formula to determine L₁₀, or it can be compared to the allowable equivalent radial load ratings for the speed and hours life desired in the easy selection Table 4 on page B12-10.

SELECTING BEARINGS SUPPORTING ONLY THRUST LOADS

Spherical Roller Bearings generally are not recommended for pure thrust load applications. However, they will perform satisfactorily under very light pure thrust loads. Consult DODGE Application Engineering (864-284-5700).

SELECTING LUBRICATION

DODGE S2000 spherical roller bearings are lubricated at the factory with Mobilgrease XHP 222 grease. Mobilgrease XHP 222 grease is a superior industrial grease using a lithium complex thickener and highly refined base oil. This grease will adequately handle low and medium speeds with low and medium loads at normal temperatures as defined on Table 5 on page B12-11. For very low and high speeds, for heavy loads and for low and high temperatures, special greases must be used. Contact DODGE Application Engineering (864-284-5700). DODGE engineers will recommend bearings and lubricants for the above unusual conditions. DODGE also has the expertise to custom design and build special bearings for your needs. The only maintenance requirement for DODGE Unitized roller bearings is periodic relubrication at regular intervals as outlined in the appropriate instruction manuals.

MISALIGNMENT CONSIDERATIONS

In nearly all applications, good design practice requires two bearings supporting the shaft. In cases where three or more bearings are installed, unless precautions are taken to line the bearings up both vertically and horizontally, it is possible to induce heavy loads. In the case of two bearings, alignment is not as critical, especially with DODGE Unitized Spherical Roller Bearings. S2000 bearings are designed to allow a maximum of ±1° of static and dynamic misalignment. To ensure good alignment, mounting surfaces must be checked for flatness and must lie in the same plane. When tightening base bolts, each bolt should be alternately tightened in incremental torque values until full torque is achieved to prevent the angular shifting of the pillow block that occurs when one bolt is tightened to its full torque. Shimming may be required to minimize misalignment.

FEATURES/BENEFITS PAGE B12-2	SPECIFICATION PAGE B12-4	HOW TO ORDER/NOMENCLATURE PAGE B12-5	DIMENSIONS PAGE B12-14
---------------------------------	-----------------------------	---	---------------------------



SELECTION

S-2000

Table 1: S2000-HD Spherical Roller Bearings

Shaft Size Inches	Basic Bearing Description	e	F _A /F _R < e		F _A /F _R > e		Max. Allowable Slip Fit Radial Load F _R * lbs.	Dynamic Capacity (C) lbs.	Static Capacity Co lbs.	Maximum Speed **	
			X	Y	X	Y				Labyrinth RPM	TRIDENT Triple Lip RPM
1-3/8 1-7/16 1-1/2	22208	0.28	1.0	2.4	0.67	3.6	3,750	20,800	21,000	3,600	2,900
1-11/16 1-3/4	22209	0.26	1.0	2.6	0.67	3.9	3,750	20,800	22,000	3,360	2,460
1-15/16 2	22210	0.24	1.0	2.8	0.67	4.2	4,000	22,000	24,000	3,180	2,200
2-3/16	22211	0.23	1.0	2.9	0.67	4.3	4,860	27,000	29,000	2,700	1,950
2-7/16	22213	0.24	1.0	2.8	0.67	4.2	6,840	39,000	47,500	2,250	1,740
2-11/16 2-15/16 3	22215	0.22	1.0	3.1	0.67	4.6	7,500	41,500	53,000	2,040	1,490
3-7/16	22218	0.23	1.0	2.9	0.67	4.3	11,500	65,500	81,500	1,560	1,280
3-15/16	22220	0.24	1.0	2.8	0.67	4.2	14,400	83,000	104,000	1,320	1,075
4-7/16	22222	0.25	1.0	2.7	0.67	4.1	18,400	104,000	132,000	1,200	990
4-15/16	22226	0.26	1.0	2.6	0.67	3.9	25,700	146,000	196,000	1,020	870

* If load exceeds the maximum allowable slip fit load, line- to-line to light press fit of shaft required. Maximum slip fit radial loads apply if recommended shaft sizes are used.

** Maximum speed is dependent on load and ambient conditions, consult DODGE Engineering.

After final alignment of the shaft and installation of the housings, tighten both setscrews hand tight, then the setscrews should be tightened alternately and in small increments to the torque specified in Table 2. After 24 hours operation, the setscrews should be retightened to the torque in Table 2 to assure full locking of the inner race to the shaft. Care should be taken that the socket key or driver is in good condition with no rounded corners and the key is fully engaged in the setscrew and held square with the setscrew to prevent rounding out of the setscrew socket when applying maximum torque.

Table 2: Set Screw Torque Values

Set Screw Torque Table		
Shaft Size	Socket Set Screw Size	Tightening Torque
1-3/8 - 1-3/4 in.	5/16 in.	165 Inch Pounds
1-15/16 - 2-7/16 in.	3/8 in.	290 Inch Pounds
2-11/16 - 3-7/16 in.	1/2 in.	620 Inch Pounds
3-15/16 - 4-15/16 in.	5/8 in.	1325 Inch Pounds

Table 3: Lubrication Intervals

Lubrication Guide (In Weeks)								
Read Preceding Paragraphs Before Establishing Lubrication Schedule								
Hours Run per Day	1 to 250 RPM	251 to 500 RPM	501 to 750 RPM	751 to 1000 RPM	1001 to 1500 RPM	1501 to 2000 RPM	2001 to 2500 RPM	2501 to 3000 RPM
8	12	12	10	7	5	4	3	2
16	12	7	5	4	2	2	2	1
24	10	5	3	2	1	1	1	1



SELECTION

S-2000

Table 4: Easy Selection Table for S-2000 Double Row Spherical Roller Bearings

Shaft Size Inches	L ₁₀ Life Hours	Allowable Equivalent Radial Load Rating (lbs.) at Various Revolutions per Minute																
		50	100	150	250	500	870	1,020	1,200	1,320	1,560	1,750	2,040	2,250	2,700	3180	3360	3600
1-3/8 to 1-1/2	10,000	7,498	6,090	5,393	4,626	3,758	3,182	3,034	2,890	2,808	2,671	2,581	2,465	2,393	1,495	2,157	2,122	2,078
	30,000	5,393	4,380	3,878	3,327	2,703	2,289	2,182	2,078	2,020	1,921	1,856	1,773	1,721	1,495	1,552	1,526	1,495
	40,000	4,947	4,018	3,558	3,052	2,479	2,100	2,002	1,907	1,853	1,762	1,703	1,626	1,579	1,495	1,423	1,400	1,371
	60,000	4,380	3,558	3,150	2,703	2,195	1,859	1,773	1,688	1,641	1,560	1,508	1,440	1,398	1,324	1,260	1,240	1,214
	100,000	3,758	3,052	2,703	2,319	1,883	1,595	1,521	1,448	1,407	1,339	1,293	1,235	1,199	1,136	1,081	1,063	1,042
1-11/16 to 1-3/4	10,000	7,498	6,090	5,393	4,626	3,758	3,182	3,034	2,890	2,808	2,671	2,581	2,465	1,579	2,266	2,157	2,122	
	30,000	5,393	4,380	3,878	3,327	2,703	2,289	2,182	2,078	2,020	1,921	1,856	1,773	1,579	1,630	1,552	1,526	
	40,000	4,947	4,018	3,558	3,052	2,479	2,100	2,002	1,907	1,853	1,762	1,703	1,626	1,579	1,495	1,423	1,400	
	60,000	4,380	3,558	3,150	2,703	2,195	1,859	1,773	1,688	1,641	1,560	1,508	1,440	1,398	1,324	1,260	1,240	
	100,000	3,758	3,052	2,703	2,319	1,883	1,595	1,521	1,448	1,407	1,339	1,293	1,235	1,199	1,136	1,081	1,063	
1-15/16 to 2	10,000	7,930	6,441	5,704	4,893	3,975	3,366	3,209	3,057	2,970	2,825	2,729	1,720	2,531	2,396	2,282		
	30,000	5,704	4,633	4,102	3,519	2,859	2,421	2,308	2,198	2,136	2,032	1,963	1,720	1,820	1,724	1,641		
	40,000	5,232	4,250	3,763	3,228	2,622	2,221	2,117	2,017	1,960	1,864	1,801	1,720	1,670	1,581	1,505		
	60,000	4,633	3,763	3,332	2,859	2,322	1,966	1,875	1,786	1,735	1,650	1,594	1,523	1,479	1,400	1,333		
	100,000	3,975	3,228	2,859	2,452	1,992	1,687	1,608	1,532	1,489	1,416	1,368	1,306	1,269	1,201	1,144		
2-3/16	10,000	9,733	7,905	7,000	6,005	4,878	4,131	3,939	3,751	3,645	3,467	2,210	3,199	3,106	2,941			
	30,000	7,000	5,686	5,035	4,319	3,508	2,971	2,833	2,698	2,622	2,494	2,210	2,301	2,234	2,115			
	40,000	6,421	5,216	4,618	3,962	3,218	2,726	2,599	2,475	2,405	2,288	2,210	2,111	2,050	1,940			
	60,000	5,686	4,618	4,089	3,508	2,850	2,413	2,301	2,191	2,130	2,026	1,957	1,869	1,815	1,718			
	100,000	4,878	3,962	3,508	3,010	2,445	2,070	1,974	1,880	1,827	1,738	1,679	1,603	1,557	1,474			
2-7/16	10,000	14,058	11,419	10,111	8,674	7,046	5,967	5,689	5,418	5,266	5,008	4,838	4,621	4,487				
	30,000	10,111	8,213	7,272	6,239	5,068	4,292	4,092	3,897	3,787	3,602	3,480	3,324	3,227				
	40,000	9,275	7,534	6,671	5,723	4,649	3,937	3,753	3,575	3,474	3,304	3,192	3,049	2,960				
	60,000	8,213	6,671	5,907	5,068	4,116	3,486	3,324	3,165	3,076	2,926	2,827	2,700	2,621				
	100,000	7,046	5,723	5,068	4,348	3,531	2,991	2,851	2,716	2,639	2,510	2,425	2,316	2,249				
2-11/16 to 3	10,000	14,959	12,151	10,759	9,230	7,497	6,350	6,054	5,766	5,666	3,697	5,329	5,149	4,917				
	30,000	10,759	8,739	7,738	6,639	5,392	4,567	4,354	4,147	4,047	3,697	3,833	3,703	3,537				
	40,000	9,870	8,017	7,098	6,090	4,946	4,189	3,994	3,804	3,697	3,516	3,397	3,244					
	60,000	8,739	7,098	6,285	5,392	4,380	3,709	3,537	3,368	3,273	3,113	3,008	2,873					
	100,000	7,497	6,090	5,392	4,626	3,758	3,182	3,034	2,890	2,808	2,671	2,580	2,464					
3-7/16	10,000	23,611	19,178	16,981	14,569	11,833	10,022	9,555	6,004	8,844	8,411							
	30,000	16,981	13,793	12,213	10,478	8,511	7,208	6,872	6,004	6,360	6,050							
	40,000	15,577	12,653	11,203	9,612	7,807	6,612	6,304	6,004	5,835	5,549							
	60,000	13,793	11,203	9,920	8,511	6,913	5,855	5,582	5,316	5,166	4,914							
	100,000	11,833	9,612	8,511	7,302	5,931	5,023	4,789	4,561	4,432	4,216							

Only the labyrinth seal (L seal) may be used to the right of the heavy line.

In the light shaded area, a line-to-line to light press fit on the shaft is required.

For applications in the dark shaded area, the maximum load for the specific speed is shown. The load does not correspond to the 10 shown at the left.

SELECTION



S-2000

Table 4: Easy Selection Table for S-2000 Double Row Spherical Roller Bearings (continued)

Shaft Size Inches	L ₁₀ Life Hours	Allowable Equivalent Radial Load Rating (Lbs.) At Various Revolutions Per Minute																		
		50	100	150	250	500	870	1,020	1,200	1,320	1,560	1,750	2,040	2,250	2,700	3180	3360	3600		
3-15/16	10,000	29,919	24,302	21,518	18,461	14,995	12,699	7,988	11,531	11,206										
	30,000	21,518	17,478	15,476	13,278	10,785	9,134	7,988	8,294	8,060										
	40,000	19,739	16,033	14,197	12,180	9,893	8,378	7,988	7,608	7,393										
	60,000	17,478	14,197	12,571	10,785	8,760	7,419	7,073	6,737	6,547										
	100,000	14,995	12,180	10,785	9,252	7,515	6,365	6,068	5,779	5,616										
4-7/16	10,000	37,489	30,450	26,963	23,132	18,789	10,498	15,171	14,449											
	30,000	26,963	21,901	19,392	16,637	13,513	10,498	10,911	10,392											
	40,000	24,733	20,090	17,789	15,261	12,396	10,498	10,009	9,533											
	60,000	21,901	17,789	15,751	13,513	10,976	9,296	8,863	8,441											
	100,000	18,789	15,261	13,513	11,593	9,417	7,975	7,603	7,242											
4-15/16	10,000	52,628	42,747	37,851	32,473	26,377	14,738	21,298												
	30,000	37,851	30,745	27,224	23,356	18,971	14,738	15,318												
	40,000	34,722	28,203	24,973	21,424	17,402	14,738	14,051												
	60,000	30,745	24,973	22,112	18,971	15,409	13,050	12,442												
	100,000	26,377	21,424	18,971	16,275	13,220	11,196	10,674												

Only the labyrinth seal (L seal) may be used to the right of the heavy line.

In the light shaded area, a line-to-line to light press fit on the shaft is required.

For applications in the dark shaded area, the maximum load for the specific speed is shown. The load does not correspond to the L₁₀ shown at the left.

Table 5: Definition Of Operating Conditions For Unitized Spherical Roller Bearings

LOW SPEED	UP TO 20% OF MAX. RPM (TABLE 1)
MEDIUM SPEED	OVER 20% TO 80% OF MAX. RPM
HIGH SPEED	MOVER 80% OF MAX. RPM
LIGHT LOAD	UP TO 8% OF C (TABLE 1)
NORMAL LOAD	OVER 8% TO 18% OF C
HEAVY LOAD	OVER 18% OF C
	C = DYNAMIC CAPACITY
LOW TEMPERATURE	-20 TO -100°F
MEDIUM TEMPERATURE	OVER 20°F TO 200°F
HIGH TEMPERATURE	OVER 200°F TO 250°F

FEATURES/BENEFITS PAGE B12-2	SPECIFICATION PAGE B12-4	HOW TO ORDER/NOMENCLATURE PAGE B12-5	DIMENSIONS PAGE B12-14
---------------------------------	-----------------------------	---	---------------------------



SELECTION

S-2000

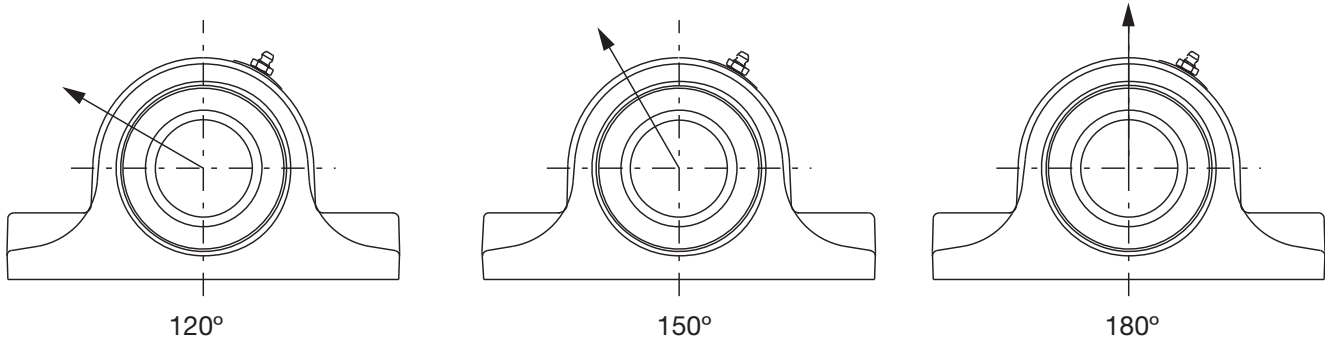


Table 6: S-2000 Housing Rating, 2-Bolt, Cast Iron*

Bore Size	Maximum Recommended Housing Cap Loads, lb		
	120°	150°	180°
1-3/8 to 1-1/2	2110	2640	3100
1-5/8 to 1-3/4	2380	2980	3500
1-15/16 to 2	3130	3910	4600
2-3/16	3330	4160	4900
2-7/16	3330	4160	4900
2-11/16 to 3	4420	5520	6500
3-3/16 to 3-7/16	4620	5780	6800
3-15/16	7500	9350	11000

Table 7: S-2000 Housing Rating, 4-Bolt, Cast Iron*

Bore Size	Maximum Recommended Housing Cap Loads, lb		
	120°	150°	180°
1-15/16 - 2	3200	4000	4700
2-3/16	3300	4100	4800
2-7/16	3810	4760	5600
2-11/16 to 3	4620	5780	6800
3-7/16	4700	5870	6900
3-15/16	7500	9350	11000
4-7/16	9900	12330	14500
4-15/16	13400	16750	19700

- * When utilizing heavy cap loads on pillow block housings, the installation must adhere to the following procedures:
1. The pillow block base bolts must be of high strength (Grade 8) bolts and properly tightened to mounting structure.
 2. Stop bars (shear strips) should be used against the plummer block where side loads are encountered.
 3. In all cases where loads are heavy, the L₁₀ life of the bearing should be checked for proper selection and life requirements.

FEATURES/BENEFITS PAGE B12-2	SPECIFICATION PAGE B12-4	HOW TO ORDER/NOMENCLATURE PAGE B12-5	DIMENSIONS PAGE B12-14
---------------------------------	-----------------------------	---	---------------------------



S2000-HD

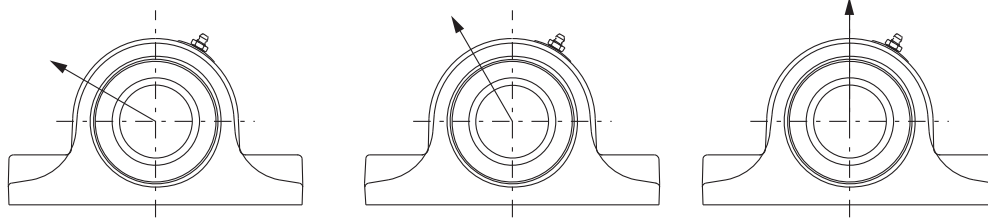


Table 8: Steel Housed S2000 - Housing Ratings*

Shaft Sizes	Basic Bearing Description	Maximum Recommended Housing Loads, lb	
		P2B	P4B
1-3/8 1-7/16 1-1/2	22208	24400	
1-11/16 1-3/4	22209	26400	
1-15/16 2	22210	30200	
2-3/16 2-7/16	22211 22213	35400 51300	52800
2-11/16 2-15/16 3	22215	59700	60000
3-7/16 3-15/16	22218 22220	90700	115000
4-7/16 4-15/16	22222 22226		152100 188200

* It is important to note that the values listed above are housing fracture loads from various applied directions. These loads may exceed bearing, mounting bolt and/or shaft capacities. Applications subject to heavy housing loads, particularly shock loads, must adhere to the following procedures:

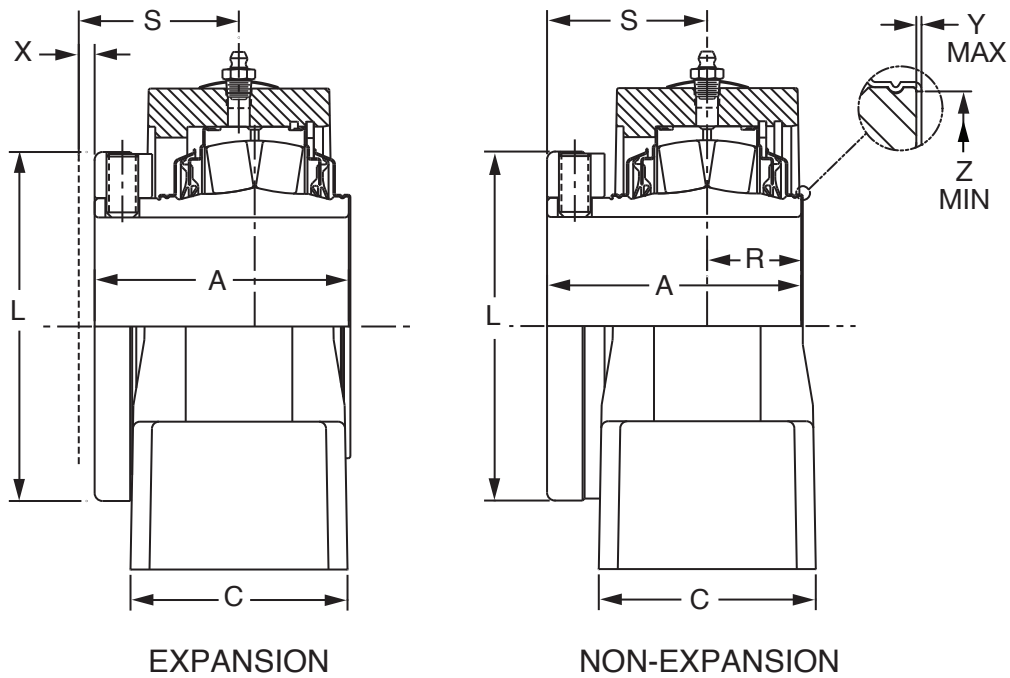
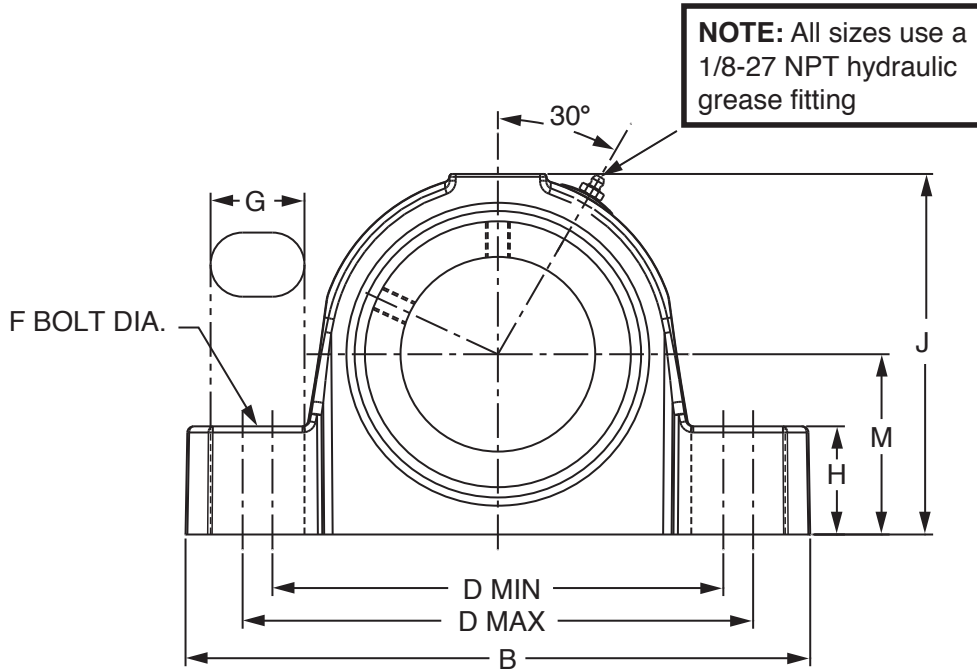
- (1) The pillow block base bolts must be of high strength (Grade 8) bolts and properly tightened to mounting structure.
- (2) Stop bars (shear strips) should be used against the plummer block where side loads are encountered.
- (3) In all cases where loads are heavy, the L₁₀ life of the bearing should be checked for proper selection and life requirements.

FEATURES/BENEFITS PAGE B12-2	SPECIFICATION PAGE B12-4	HOW TO ORDER/NOMENCLATURE PAGE B12-5	DIMENSIONS PAGE B12-14
---------------------------------	-----------------------------	---	---------------------------



DIMENSIONS

S-2000 Pillow Block 2-BOLT BASE - INCH





DIMENSIONS

S-2000 Pillow Block 2-BOLT BASE - INCH

Bearing Reference Guide

E-Family Roller Bearings

Specialty Tapered Products

S-2000

UNISPHERE II

IMPERIAL

UNIFIED SAF

Bearing	Shaft Size Inch	TRIDENT Seal				Labyrinth Seal			
		Non-Expansion		Expansion		Non-Expansion		Expansion	
		Part No.	Part Name	Part No.	Part Name	Part No.	Part Name	Part No.	Part Name
22208	1-3/8	070272	P2B-S2-106R	070295	P2B-S2-106RE	070318	P2B-S2-106L	070341	P2B-S2-106LE
	1-7/16	070273	P2B-S2-107R	070296	P2B-S2-107RE	070319	P2B-S2-107L	070342	P2B-S2-107LE
	1-1/2	070274	P2B-S2-108R	070297	P2B-S2-108RE	070320	P2B-S2-108L	070343	P2B-S2-108LE
22209	1-11/16	070276	P2B-S2-111R	070299	P2B-S2-111RE	070322	P2B-S2-111L	070345	P2B-S2-111LE
	1-3/4	070277	P2B-S2-112R	070300	P2B-S2-112RE	070323	P2B-S2-112L	070346	P2B-S2-112LE
22210	1-15/16	070278	P2B-S2-115R	070301	P2B-S2-115RE	070324	P2B-S2-115L	070347	P2B-S2-115LE
	2	070279	P2B-S2-200R	070302	P2B-S2-200RE	070325	P2B-S2-200L	070348	P2B-S2-200LE
22211	2-3/16	070280	P2B-S2-203R	070303	P2B-S2-203RE	070326	P2B-S2-203L	070349	P2B-S2-203LE
22213	2-7/16	070282	P2B-S2-207R	070305	P2B-S2-207RE	070328	P2B-S2-207L	070351	P2B-S2-207LE
22215	2-11/16	070284	P2B-S2-211R	070307	P2B-S2-211RE	070330	P2B-S2-211L	070353	P2B-S2-211LE
	2-15/16	070285	P2B-S2-215R	070308	P2B-S2-215RE	070331	P2B-S2-215L	070354	P2B-S2-215LE
	3	070286	P2B-S2-300R	070309	P2B-S2-300RE	070332	P2B-S2-300L	070355	P2B-S2-300LE
22218	3-7/16	070288	P2B-S2-307R	070311	P2B-S2-307RE	070334	P2B-S2-307L	070357	P2B-S2-307LE
22220	3-15/16	070290	P2B-S2-315R	070313	P2B-S2-315RE	070336	P2B-S2-315L	070359	P2B-S2-315LE

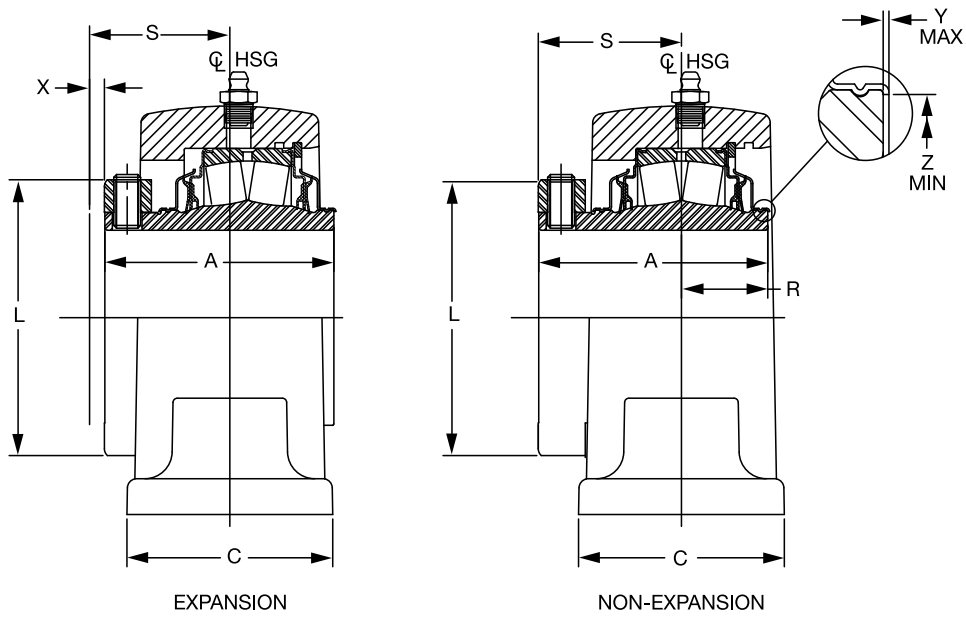
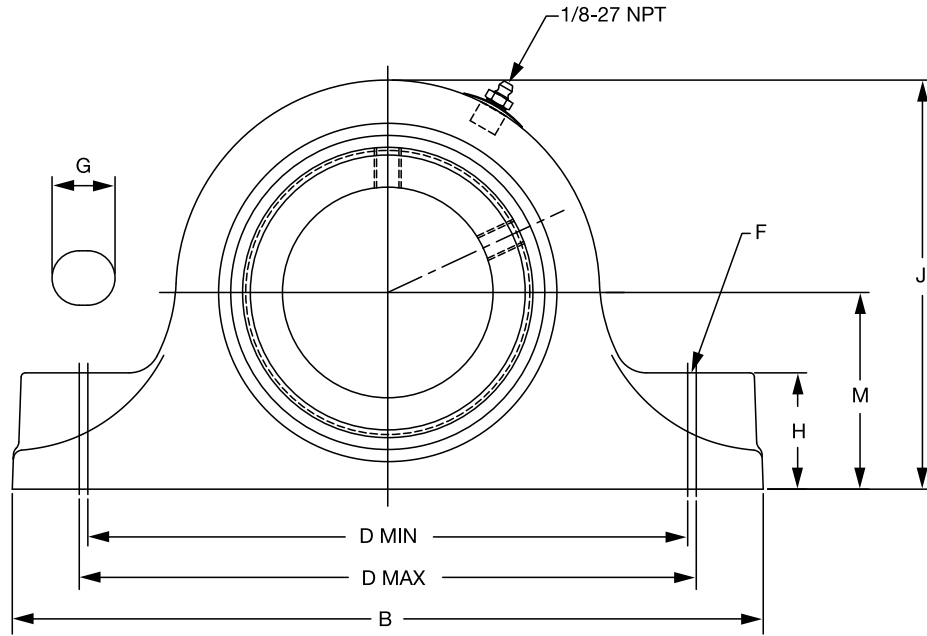
Shaft Size	A	B	C	D		F Bolt Dia.	G	H	J	L	M	R	S	X Total Exp.	Y	Z
				Min	Max											
1-3/8																
1-7/16	2.53	6.88	1.95	4.81	5.20	1/2	0.81	1.13	3.88	2.75	1.88	0.88	1.66	3/16	0.020	1.80
1-1/2																
1-11/16																
1-3/4	2.67	7.38	2.06	5.31	5.70	1/2	0.81	1.25	4.27	3.19	2.13	0.81	1.86	1/4	0.020	2.08
1-15/16																
2	2.84	8.38	2.50	6.06	6.44	5/8	0.95	1.31	4.56	3.44	2.25	0.86	1.98	1/4	0.020	2.30
2-3/16	2.94	8.88	2.63	6.56	6.94	5/8	0.95	1.50	5.00	3.75	2.50	0.91	2.03	1/4	0.025	2.60
2-7/16	3.20	9.25	2.81	6.94	7.31	5/8	0.95	1.63	5.59	4.06	2.75	1.13	2.08	1/4	0.025	2.95
2-11/16																
2-15/16	3.59	10.44	3.08	7.94	8.31	3/4	1.06	1.88	6.38	4.70	3.25	1.14	2.45	1/4	0.025	3.47
3																
3-7/16	4.02	13.00	3.42	9.38	10.63	7/8	1.63	2.25	7.50	5.50	3.75	1.41	2.61	1/4	0.025	4.05
3-15/16	4.47	15.25	3.94	10.63	12.88	1	2.25	2.44	8.38	6.00	4.25	1.56	2.91	5/16	0.025	4.50

FEATURES/BENEFITS PAGE B12-2	SPECIFICATION PAGE B12-4	HOW TO ORDER/NOMENCLATURE PAGE B12-4	SELECTIONS PAGE B12-7
---------------------------------	-----------------------------	---	--------------------------



DIMENSIONS

S-2000 Pillow Block with Type E Dimensions 2-BOLT





DIMENSIONS

S-2000 Pillow Block with Type E Dimensions 2-BOLT

Bearing Reference Guide

E-Family Roller Bearings

Specialty Tapered Products

S-2000

UNISPHERE II

IMPERIAL

UNIFIED SAF

Bearing Series	Shaft Size*	TRIDENT Seal				Labyrinth Seal			
		Non Expansion		Expansion		Non Expansion		Expansion	
		Part No.	Part Name	Part No.	Part Name	Part No.	Part Name	Part No.	Part Name
22208	1-3/8	071389	EP2B-S2-106R	071400	EP2B-S2-106RE	071411	EP2B-S2-106L	071422	EP2B-S2-106LE
	1-7/16	071390	EP2B-S2-107R	071401	EP2B-S2-107RE	071412	EP2B-S2-107L	071423	EP2B-S2-107LE
22209	1-11/16	071391	EP2B-S2-111R	071402	EP2B-S2-111RE	071413	EP2B-S2-111L	071424	EP2B-S2-111LE
22210	1-15/16	071392	EP2B-S2-115R	071403	EP2B-S2-115RE	071414	EP2B-S2-115L	071425	EP2B-S2-115LE
	2	071393	EP2B-S2-200R	071404	EP2B-S2-200RE	071415	EP2B-S2-200L	071426	EP2B-S2-200LE
22211	2-3/16	071394	EP2B-S2-203R	071405	EP2B-S2-203RE	071416	EP2B-S2-203L	071427	EP2B-S2-203LE
22213	2-7/16	071395	EP2B-S2-207R	071406	EP2B-S2-207RE	071417	EP2B-S2-207L	071428	EP2B-S2-207LE
22215	2-11/16	071396	EP2B-S2-211R	071407	EP2B-S2-211RE	071418	EP2B-S2-211L	071429	EP2B-S2-211LE
	2-15/16	071397	EP2B-S2-215R	071408	EP2B-S2-215RE	071419	EP2B-S2-215L	071430	EP2B-S2-215LE
	3	071398	EP2B-S2-300R	071409	EP2B-S2-300RE	071420	EP2B-S2-300L	071431	EP2B-S2-300LE
22218	3-7/16	071399	EP2B-S2-307R	071410	EP2B-S2-307RE	071421	EP2B-S2-307L	071432	EP2B-S2-307LE

*Consult Dodge For Sizes Not Listed

Shaft Size	A	B#	C#	D		F Bolt Dia.	G#	H#	J#	L	M	R	S	X Total Exp.	Y	Z	Set Screw Size	S/S Torque In/Lbs
				Min	Max													
1-3/8 1-7/16	2.53	7.37	2.12	5.63	5.88	1/2	0.75	1.13	3.85	2.55	1.88	1.03	1.50	5/32	0.020	1.80	5/16-18	165
1-11/16	2.67	7.88	2.38	6.13	6.38	1/2	0.75	1.25	4.25	3.01	2.13	0.98	1.69	3/16	0.020	2.08	5/16-18	165
1-15/16 2	2.84	8.87	2.49	6.88	7.12	5/8	0.88	1.31	4.47	3.44	2.25	1.08	1.76	7/32	0.020	2.30	3/8-16	290
2-3/16	2.94	9.62	2.56	7.63	7.88	5/8	0.88	1.50	5.00	3.50	2.50	1.06	1.88	1/4	0.025	2.60	3/8-16	290
2-7/16	3.20	10.50	2.87	8.38	8.62	5/8	0.88	1.63	5.71	4.06	2.75	1.20	2.00	1/4	0.025	2.95	3/8-16	290
2-11/16	3.59	12.00	2.99	9.31	9.69	3/4	1.07	1.88	6.32	4.61	3.13	1.34	2.25	1/4	0.025	3.47	1/2-13	620
2-15/16 3																		
3-7/16	4.01	14.00	3.49	10.81	11.19	7/8	1.19	2.25	7.69	5.50	3.75	1.51	2.50	1/4	0.025	4.05	1/2-13	620

Notes: "A" And "R" Dimensions Do Not Include "Y" Dimension

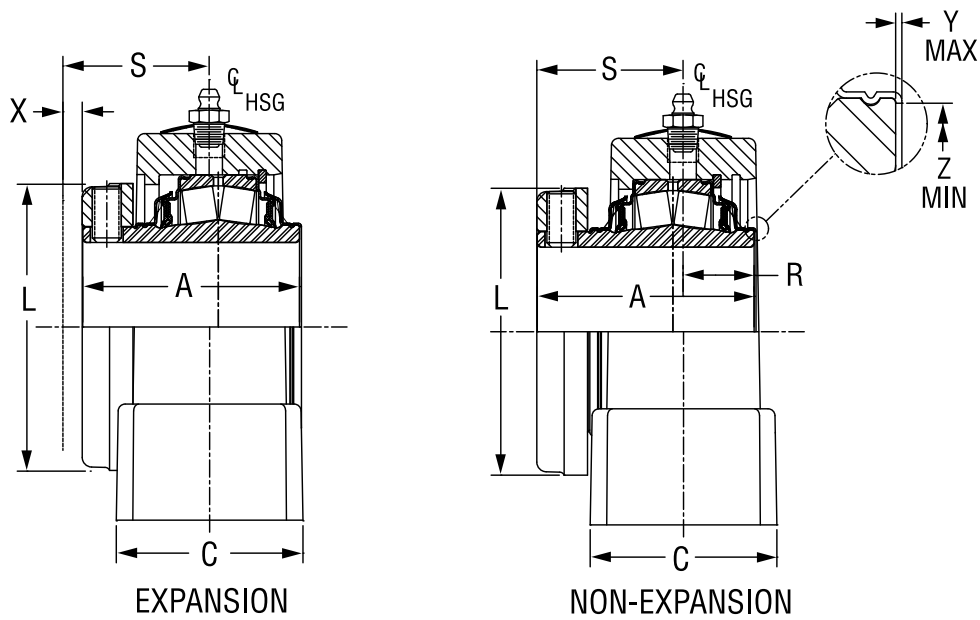
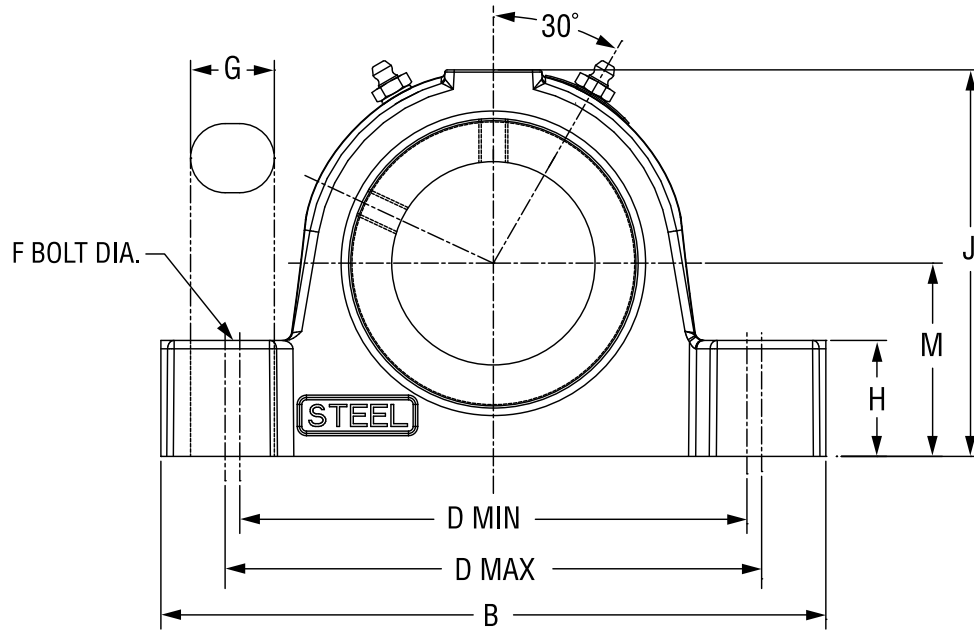
Reference Dimension Only

FEATURES/BENEFITS PAGE B12-2	SPECIFICATION PAGE B12-4	HOW TO ORDER/NOMENCLATURE PAGE B12-4	SELECTIONS PAGE B12-7
---------------------------------	-----------------------------	---	--------------------------



DIMENSIONS

Steel S-2000-HD Pillow Block 2-Bolt



SELECTION



Steel S-2000-HD Pillow Block 2-Bolt

Bearing Reference Guide

E-Family Roller Bearings

Specialty Tapered Products

S-2000

UNISPHERE II

IMPERIAL

UNIFIED SAF

Shaft Size	Dodge Non-Expansion		Dodge Expansion	
	Part No.	Description	Part No.	Description
1-3/8	071790	SP2B-S2-106R	071804	SP2B-S2-106RE
1-7/16	071791	SP2B-S2-107R	071805	SP2B-S2-107RE
1-1/2	071792	SP2B-S2-108R	071806	SP2B-S2-108RE
1-11/16	071793	SP2B-S2-111R	071807	SP2B-S2-111RE
1-3/4	071794	SP2B-S2-112R	071808	SP2B-S2-112RE
1-15/16	071795	SP2B-S2-115R	071809	SP2B-S2-115RE
2	071796	SP2B-S2-200R	071810	SP2B-S2-200RE
2-3/16	071797	SP2B-S2-203R	071811	SP2B-S2-203RE
2-7/16	071798	SP2B-S2-207R	071812	SP2B-S2-207RE
2-11/16	071799	SP2B-S2-211R	071813	SP2B-S2-211RE
2-15/16	071800	SP2B-S2-215R	071814	SP2B-S2-215RE
3	071801	SP2B-S2-300R	071815	SP2B-S2-300RE
3-7/16	071802	SP2B-S2-307R	071816	SP2B-S2-307RE
3-15/16	071803	SP2B-S2-315R	071817	SP2B-S2-315RE

Shaft Size	A	B	C	D		F Bolt Dia.	G	H	J	L	M	R	S	"X Total Exp"	Y	Z
				Min	Max											
1-3/8																
1-7/16	2.53	6.88	2.25	4.69	6.00	1/2	1.28	1.13	3.88	2.75	1.88	0.86	1.67	3/16	0.020	1.80
1-1/2																
1-11/16	2.67	7.13	2.37	5.25	5.75	1/2	0.88	1.25	4.27	3.19	2.13	0.91	1.76	1/4	0.020	2.08
1-3/4																
1-15/16	2.84	8.38	2.44	5.93	6.36	5/8	0.97	1.31	4.56	3.44	2.25	0.89	1.95	1/4	0.020	2.30
2																
2-3/16	2.94	8.88	2.50	6.50	7.00	5/8	1.04	1.50	5.00	3.75	2.50	0.99	1.95	1/4	0.025	2.59
2-7/16	3.00	9.25	2.90	6.81	7.43	5/8	1.07	1.63	5.60	4.06	2.75	1.17	2.03	1/4	0.025	2.94
2-11/16																
2-15/16	3.59	10.44	2.91	7.70	8.40	3/4	1.23	1.88	6.38	4.70	3.25	1.11	2.48	1/4	0.025	3.47
3																
3-7/16	4.02	13.00	3.41	9.25	10.75	7/8	1.75	2.25	7.50	5.50	3.75	1.43	2.61	1/4	0.025	4.05
3-15/16	4.47	14.25	3.89	10.04	12.6	1	2.40	2.44	8.37	6.00	4.25	1.59	2.91	5/16	0.025	4.50

"A" & "R" Dimensions Do Not Include "Y" Dimension

FEATURES/BENEFITS PAGE B12-2	SPECIFICATION PAGE B12-4	HOW TO ORDER/NOMENCLATURE PAGE B12-5	DIMENSIONS PAGE B12-14
---------------------------------	-----------------------------	---	---------------------------



SELECTION

Steel S-2000-HD Pillow Block 2-Bolt With Type E Dimensions

Bearing Reference Guide

E-Family Roller Bearings

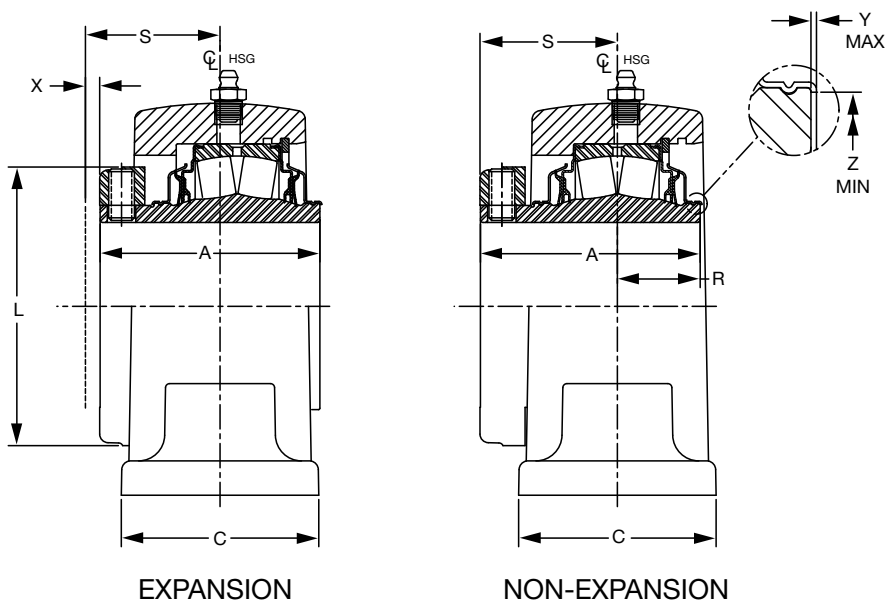
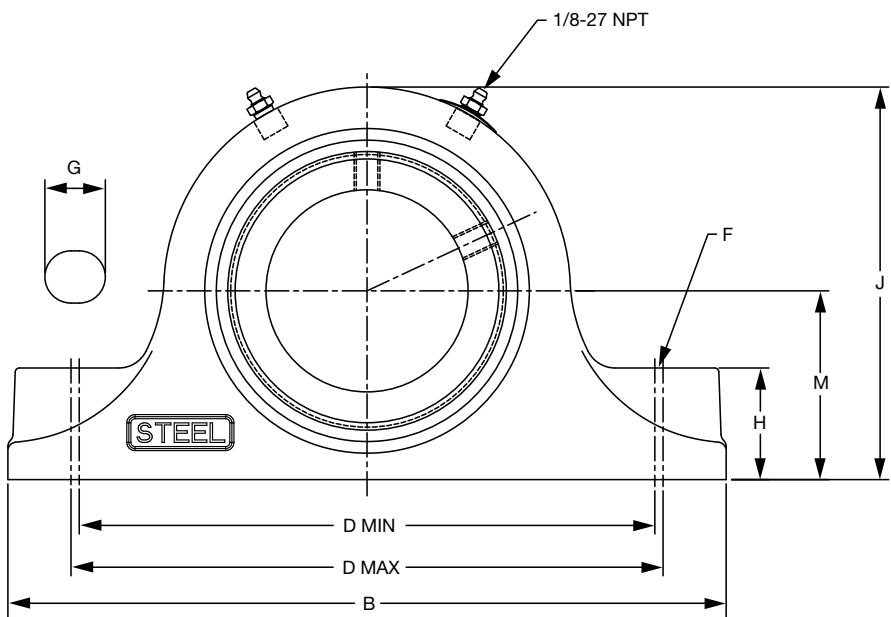
Specialty Tapered Products

S-2000

UNISPHERE II

IMPERIAL

UNIFIED SAF



FEATURES/BENEFITS
PAGE B12-2

SPECIFICATION
PAGE B12-4

HOW TO ORDER/NOMENCLATURE
PAGE B12-5

DIMENSIONS
PAGE B12-14



DIMENSIONS

Steel S-2000-HD Pillow Block 2-BOLT With Type E Dimensions

Shaft Size	Dodge Non-Expansion		Dodge Expansion	
	Part No.	Description	Part No.	Description
1-3/8	071940	SEP2B-S2-106R	071951	SEP2B-S2-106RE
1-7/16	071941	SEP2B-S2-107R	071952	SEP2B-S2-107RE
1-11/16	071942	SEP2B-S2-111R	071953	SEP2B-S2-111RE
1-15/16	071943	SEP2B-S2-115R	071954	SEP2B-S2-115RE
2	071944	SEP2B-S2-200R	071955	SEP2B-S2-200RE
2-3/16	071945	SEP2B-S2-203R	071956	SEP2B-S2-203RE
2-7/16	071946	SEP2B-S2-207R	071957	SEP2B-S2-207RE
2-11/16	071947	SEP2B-S2-211R	071958	SEP2B-S2-211RE
2-15/16	071948	SEP2B-S2-215R	071959	SEP2B-S2-215RE
3	071949	SEP2B-S2-300R	071960	SEP2B-S2-300RE
3-7/16	071950	SEP2B-S2-307R	071961	SEP2B-S2-307RE

Shaft Size	A	B	C	D		F Bolt Dia	G	H	J	L	M	R	S	X Total Exp	Y	Z	Set Screw Size	SS Torque In/lbs
				Min	Max													
1-3/8 1-7/16	2.53	6.88	2.25	4.69	5.88	1/2	1.22	1.13	3.84	2.55	1.88	1.03	1.50	5/32	0.020	1.80	5/16-18	165
1-11/16	2.67	7.88	2.38	5.70	6.50	1/2	1.02	1.25	4.26	3.01	2.13	0.98	1.69	3/16	0.020	2.08	5/16-18	165
1-15/16 2	2.84	8.88	2.44	6.00	7.12	5/8	1.32	1.31	4.47	3.26	2.25	1.08	1.76	7/32	0.020	2.30	3/8-16	290
2-3/16	2.94	9.63	2.50	6.50	7.88	5/8	1.45	1.50	5.00	3.50	2.50	1.06	1.88	1/4	0.025	2.60	3/8-16	290
2-7/16 2-11/16	3.20	10.25	2.90	6.88	8.62	5/8	1.63	1.63	5.71	3.86	2.75	1.20	2.00	1/4	0.025	2.95	3/8-16	290
2-15/16 3	3.59	11.63	2.91	7.88	9.62	3/4	1.75	1.88	6.32	4.61	3.13	1.34	2.25	1/4	0.025	3.47	1/2-13	620
3-7/16	4.01	13.50	3.41	9.38	11.25	7/8	1.94	2.25	7.69	5.50	3.75	1.51	2.50	1/4	0.025	4.05	1/2-13	620

"A" & "R" Dimensions Do Not Include "Y" Dimension

FEATURES/BENEFITS PAGE B12-2	SPECIFICATION PAGE B12-4	HOW TO ORDER/NOMENCLATURE PAGE B12-4	SELECTIONS PAGE B12-7
---------------------------------	-----------------------------	---	--------------------------



DIMENSIONS

S-2000 Pillow Block 4-BOLT BASE

Bearing Reference Guide

E-Family Roller Bearings

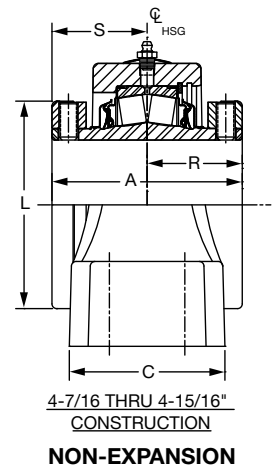
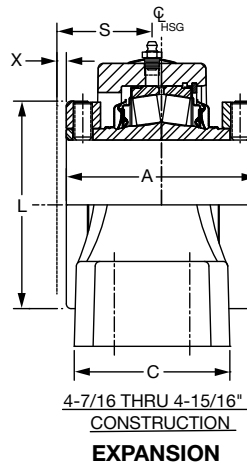
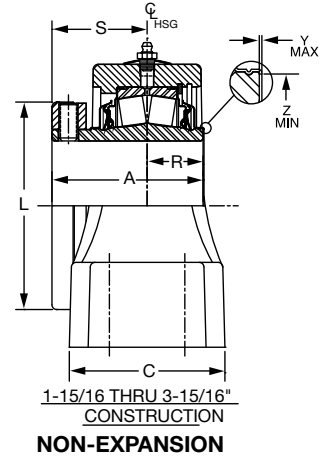
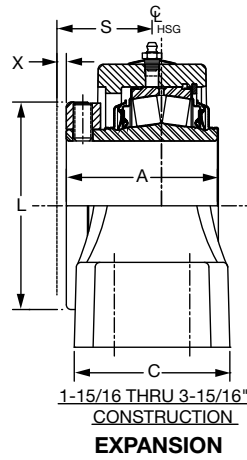
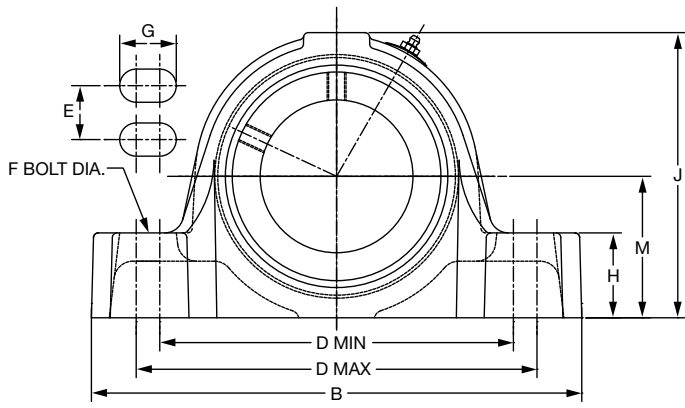
Specialty Tapered Products

S-2000

UNISPHERE II

IMPERIAL

UNIFIED SAF



FEATURES/BENEFITS PAGE B12-2	SPECIFICATION PAGE B12-4	HOW TO ORDER/NOMENCLATURE PAGE B12-4	SELECTIONS PAGE B12-7
---------------------------------	-----------------------------	---	--------------------------



DIMENSIONS

S-2000 Pillow Block 4-BOLT BASE

Bearing	Shaft Size Inch	TRIDENT Seal				Labyrinth Seal			
		Non-Expansion		Expansion		Non-Expansion		Expansion	
		Part No.	Part Name	Part No.	Part Name	Part No.	Part Name	Part No.	Part Name
22210	1-15/16 2	070361	P4B-S2-115R	070379	P4B-S2-115RE	070397	P4B-S2-115L	070415	P4B-S2-115LE
		070362	P4B-S2-200R	070380	P4B-S2-200RE	070398	P4B-S2-200L	070416	P4B-S2-200LE
22211	2-3/16	070363	P4B-S2-203R	070381	P4B-S2-203RE	070399	P4B-S2-203L	070417	P4B-S2-203LE
22213	2-7/16	070365	P4B-S2-207R	070383	P4B-S2-207RE	070401	P4B-S2-207L	070419	P4B-S2-207LE
22215	2-11/16 2-15/16 3	070367	P4B-S2-211R	070385	P4B-S2-211RE	070403	P4B-S2-211L	070421	P4B-S2-211LE
		070368	P4B-S2-215R	070386	P4B-S2-215RE	070404	P4B-S2-215L	070422	P4B-S2-215LE
		070369	P4B-S2-300R	070387	P4B-S2-300RE	070405	P4B-S2-300L	070423	P4B-S2-300LE
22218	3-7/16	070371	P4B-S2-307R	070389	P4B-S2-307RE	070407	P4B-S2-307L	070425	P4B-S2-307LE
22220	3-15/16	070373	P4B-S2-315R	070391	P4B-S2-315RE	070409	P4B-S2-315L	070427	P4B-S2-315LE
22222	4-7/16	070375	P4B-S2-407R	070393	P4B-S2-407RE	070411	P4B-S2-407L	070429	P4B-S2-407LE
22226	4-15/16	070377	P4B-S2-415R	070395	P4B-S2-415RE	070413	P4B-S2-415L	070431	P4B-S2-415LE

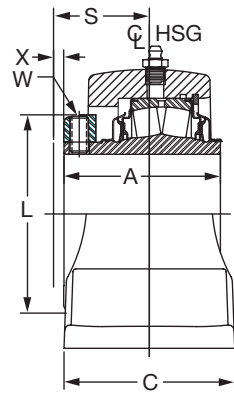
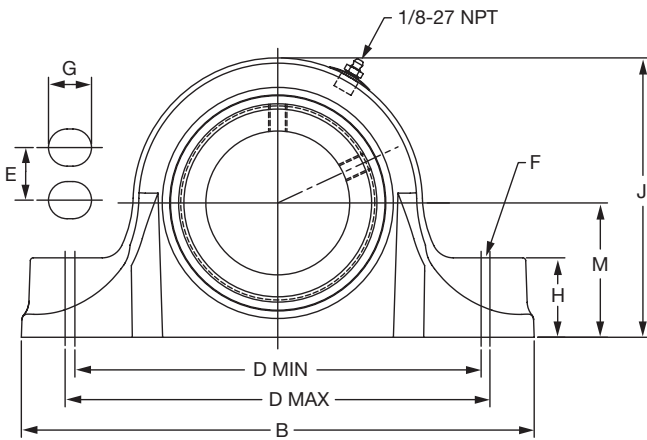
Shaft Size	A	B	C	D		E	F Bolt Dia.	G	H	J	L	M	R	S	X Total Exp.	Y	Z
				Min	Max												
1-15/16 2	2.84	8.00	3.19	6.06	6.44	1.59	1/2	0.81	1.31	4.56	3.44	2.25	.84	2.0	1/4	0.020	2.30
2-3/16	2.94	8.88	3.25	6.56	6.94	1.69	1/2	0.81	1.50	5.00	3.75	2.50	0.91	2.03	1/4	0.025	2.60
2-7/16	3.20	9.25	3.38	6.94	7.31	1.75	1/2	0.81	1.63	5.59	4.06	2.75	1.08	2.13	1/4	0.025	2.95
2-11/16	3.59	10.44	3.75	7.94	8.31	1.88	5/8	0.94	1.88	6.44	4.70	3.25	1.09	2.50	1/4	0.025	3.47
2-15/16																	
3																	
3-7/16	4.02	13.00	4.13	9.38	10.63	2.00	3/4	1.50	2.25	7.56	5.50	3.75	1.44	2.58	1/4	0.025	4.05
3-15/16	4.47	15.25	4.50	12.13	12.88	2.25	3/4	1.25	2.44	8.44	6.00	4.25	1.64	2.83	5/16	0.025	4.50
4-7/16	6.53	16.50	4.75	13.00	14.00	2.50	3/4	1.38	2.75	9.63	6.45	4.75	3.08	3.45	3/8	N/A	N/A
4-15/16	6.91	18.63	5.38	15.00	16.00	2.75	7/8	1.50	3.00	11.13	7.45	5.50	3.27	3.64	3/8	N/A	N/A

FEATURES/BENEFITS PAGE B12-2	SPECIFICATION PAGE B12-4	HOW TO ORDER/NOMENCLATURE PAGE B12-4	SELECTIONS PAGE B12-7
---------------------------------	-----------------------------	---	--------------------------



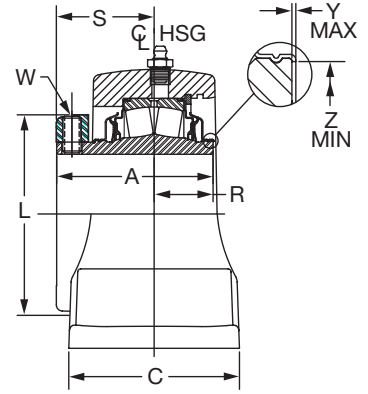
DIMENSIONS

S-2000 Pillow Block with Type E Dimensions 4-BOLT



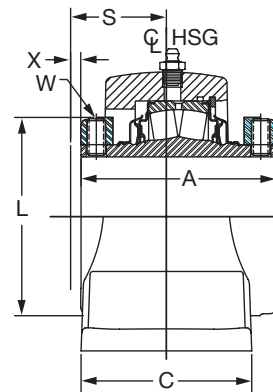
2-7/16 THRU 3-15/16"
CONSTRUCTION

EXPANSION



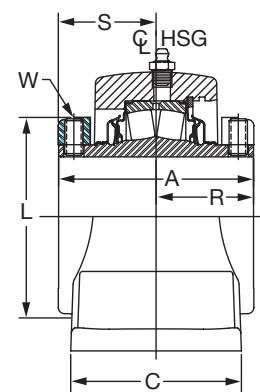
2-7/16 THRU 3-15/16"
CONSTRUCTION

NON-EXPANSION



4-7/16 THRU 4-15/16"
CONSTRUCTION

EXPANSION



4-7/16 THRU 4-15/16"
CONSTRUCTION

NON-EXPANSION

DIMENSIONS



S-200 Pillow Block with Type E Dimensions 4-BOLT

Bearing Series	Shaft Size*	TRIDENT Seal				Labyrinth Seal			
		Non Expansion		Expansion		Non Expansion		Expansion	
		Part No.	Part Name	Part No.	Part Name	Part No.	Part Name	Part No.	Part Name
22213	2-7/16	071433	EP4B-S2-207R	071441	EP4B-S2-207RE	071449	EP4B-S2-207L	071457	EP4B-S2-207LE
22215	2-11/16	071434	EP4B-S2-211R	071442	EP4B-S2-211RE	071450	EP4B-S2-211L	071458	EP4B-S2-211LE
	2-15/16	071435	EP4B-S2-215R	071443	EP4B-S2-215RE	071451	EP4B-S2-215L	071459	EP4B-S2-215LE
	3	071436	EP4B-S2-300R	071444	EP4B-S2-300RE	071452	EP4B-S2-300L	071460	EP4B-S2-300LE
22218	3-7/16	071437	EP4B-S2-307R	071445	EP4B-S2-307RE	071453	EP4B-S2-307L	071461	EP4B-S2-307LE
22220	3-15/16	071438	EP4B-S2-315R	071446	EP4B-S2-315RE	071454	EP4B-S2-315L	071462	EP4B-S2-315LE
22222	4-7/16	071439	EP4B-S2-407R	071447	EP4B-S2-407RE	071455	EP4B-S2-407L	071463	EP4B-S2-407LE
22226	4-15/16	071440	EP4B-S2-415R	071448	EP4B-S2-415RE	071456	EP4B-S2-415L	071464	EP4B-S2-415LE

*Consult Dodge For Sizes Not Listed

Shaft Size	A	B#	C#	D		E	F Bolt Dia.	G #	H #	J #	L	M	R	S	X Total Exp.	Y	Z	Set Screw Size	S/S Torque In/Lbs
				Min	Max														
2-7/16	3.20	10.50	3.49	8.31	8.69	1.87	5/8	0.87	1.63	5.72	4.06	2.75	1.20	2.00	1/4	0.025	2.94	3/8	290
2-11/16	3.59	12.00	4.00	9.18	9.82	2.13	5/8	1.00	1.88	6.33	4.61	3.13	1.34	2.25	1/4	0.025	3.47	1/2	620
2-15/16																			
3																			
3-7/16	4.01	13.50	4.49	10.75	11.25	2.37	3/4	1.13	2.25	7.69	5.50	3.75	1.51	2.50	1/4	0.025	4.05	1/2	620
3-15/16	4.47	15.25	4.50	12.25	12.75	2.25	3/4	1.13	2.44	8.70	6.00	4.25	1.34	3.13	5/16	0.025	4.50	5/8	1325
4-7/16	6.53	16.63	4.63	13.25	13.75	2.50	3/4	1.13	2.75	9.67	6.45	4.75	3.08	3.38	3/8	N/A	N/A	5/8	1325
4-15/16	6.91	18.50	5.13	15.25	15.75	2.87	7/8	1.25	3.00	11.16	7.45	5.50	3.29	3.62	3/8	N/A	N/A	5/8	1325

Notes: "A" And "R" Dimensions Do Not Include "Y" Dimension

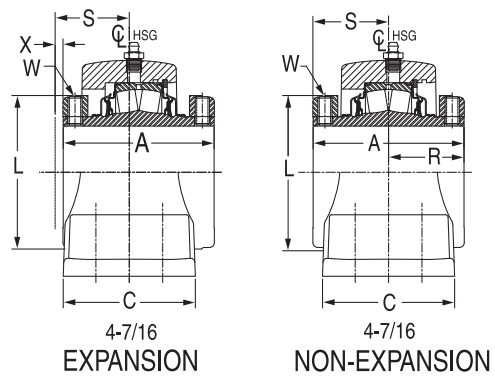
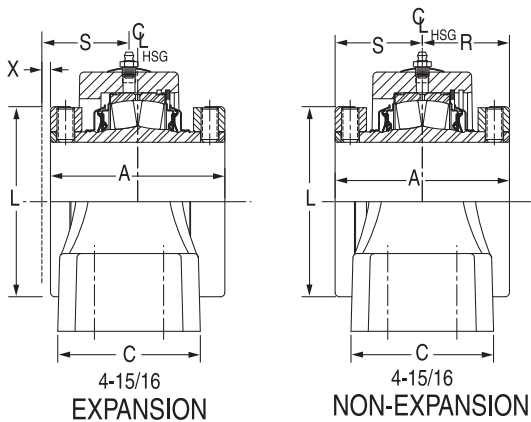
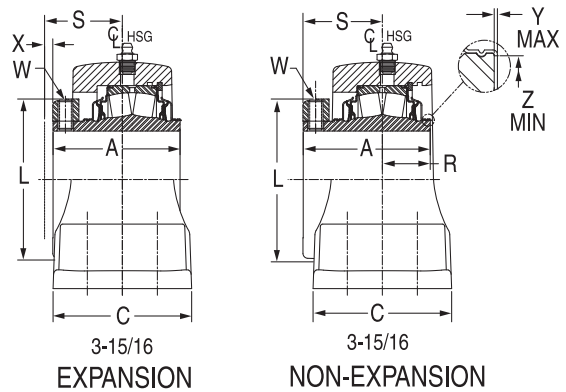
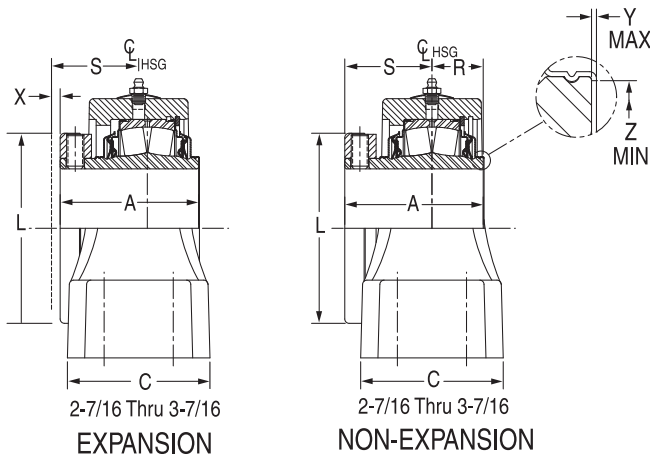
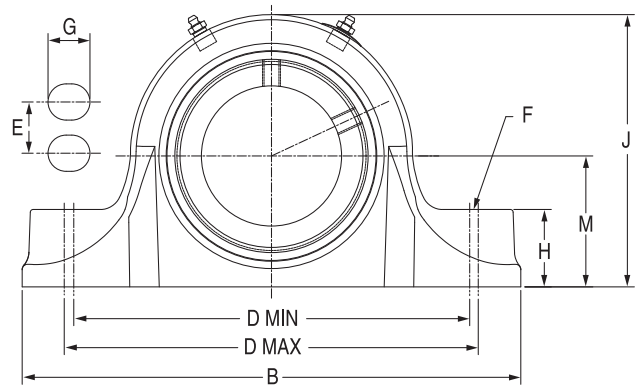
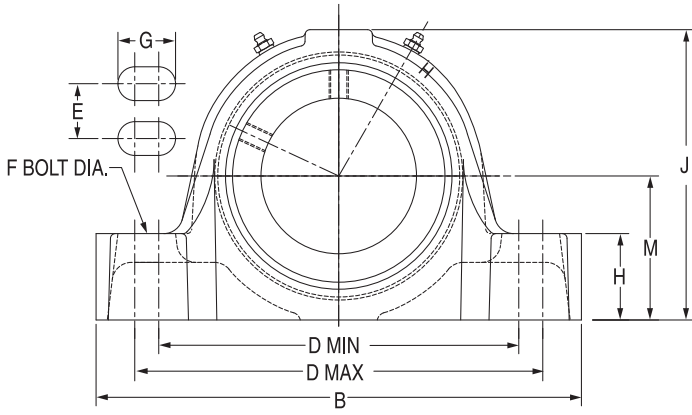
Reference Dimension Only

FEATURES/BENEFITS PAGE B12-2	SPECIFICATION PAGE B12-4	HOW TO ORDER/NOMENCLATURE PAGE B12-4	SELECTIONS PAGE B12-7
---------------------------------	-----------------------------	---	--------------------------



DIMENSIONS

Steel S-2000-HD Pillow Block 4-Bolt



FEATURES/BENEFITS
PAGE B12-2

SPECIFICATION
PAGE B12-4

HOW TO ORDER/NOMENCLATURE
PAGE B12-4

SELECTIONS
PAGE B12-7



DIMENSIONS

Steel S-2000-HD Pillow Block 4-Bolt

Bearing Reference Guide

E-Family Roller Bearings

Specialty Tapered Products

S-2000

UNISPHERE II

IMPERIAL

UNIFIED SAF

Shaft Size	Dodge Non-Expansion		Dodge Expansion	
	Dodge Part No.	Description	Dodge Part No.	Description
2-7/16	071821	SP4B-S2-207R	071832	SP4B-S2-207RE
2-11/16	071822	SP4B-S2-211R	071833	SP4B-S2-211RE
2-15/16	071823	SP4B-S2-215R	071834	SP4B-S2-215RE
3	071824	SP4B-S2-300R	071835	SP4B-S2-300RE
3-7/16	071825	SP4B-S2-307R	071836	SP4B-S2-307RE
3-15/16	071826	SP4B-S2-315R	071837	SP4B-S2-315RE
4-7/16	071827	SP4B-S2-407R	071838	SP4B-S2-407RE
4-15/16	071828	SP4B-S2-415R	071839	SP4B-S2-415RE

Shaft Size	A	B	C	D		E	F Bolt Dia.	G	H	J	L	M	R	S	X Total Exp	Y	Z
				Min	Max												
2-7/16 2-11/16	3.20	9.25	3.00	6.88	7.63	1.75	1/2	1.06	1.63	5.61	4.06	2.75	1.19	2.90	1/4	0.025	2.94
2-15/16 3	3.59	10.44	3.13	7.60	9.10	1.88	5/8	1.43	1.88	6.44	4.70	3.00	1.14	2.46	1/4	0.025	3.47
3-7/16	4.02	12.30	3.75	8.88	10.88	2.00	3/4	1.88	2.25	7.56	5.50	3.75	1.48	2.54	1/4	0.025	4.05
3-15/16	4.47	14.88	4.31	10.88	13.38	2.25	3/4	2.13	2.44	8.70	6.00	4.25	1.25	3.22	5/16	0.025	4.50
4-7/16	6.53	16.13	4.75	11.88	14.5	2.50	3/4	2.19	2.75	9.67	6.45	4.75	2.87	3.66	3/8	0.036	5.00
4-15/16	6.91	17.50	5.03	15.13	15.88	2.75	7/8	1.37	3.00	11.12	7.45	5.50	3.35	3.56	3/8	0.036	5.84

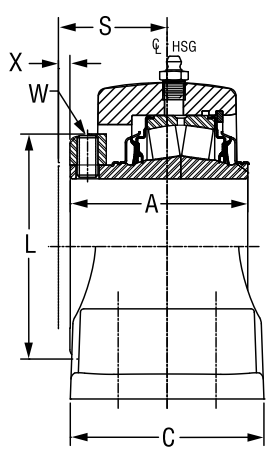
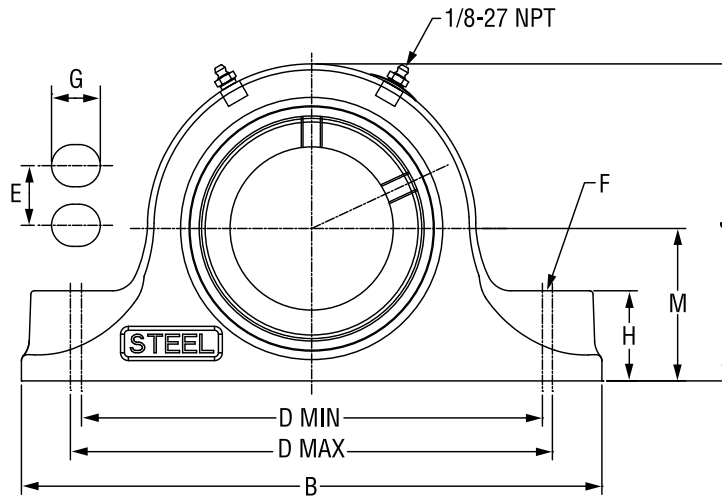
"A" & "R" Dimensions Do Not Include "Y" Dimension

FEATURES/BENEFITS PAGE B12-2	SPECIFICATION PAGE B12-4	HOW TO ORDER/NOMENCLATURE PAGE B12-4	SELECTIONS PAGE B12-7
---------------------------------	-----------------------------	---	--------------------------

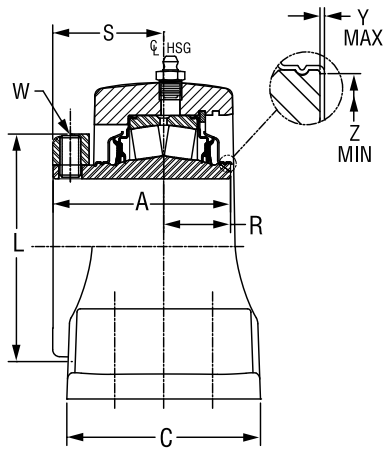


DIMENSIONS

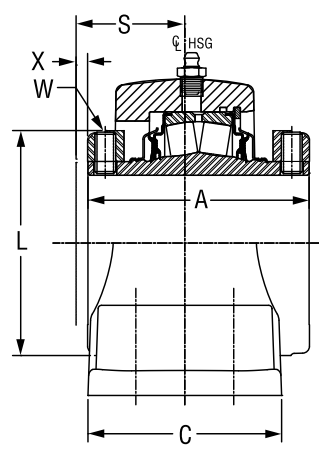
Steel S2000-HD Pillow Block 4-Bolt With Type E Dimensions



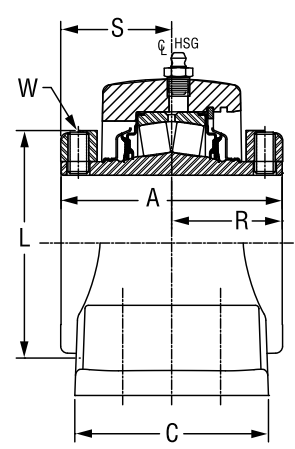
2-7/16 THRU 3-15/16
CONSTRUCTION
EXPANSION



2-7/16 THRU 3-15/16
CONSTRUCTION
NON-EXPANSION



4-7/16 THRU 4-15/16
CONSTRUCTION
EXPANSION



4-7/16 THRU 4-15/16
CONSTRUCTION
NON-EXPANSION

Bearing Reference
Guide

E-Family Roller
Bearings

Specialty Tapered
Products

S-2000

UNISPHERE II

IMPERIAL

UNIFIED SAF



DIMENSIONS

Steel S2000-HD Pillow Block 4-Bolt With Type E Dimensions

Shaft Size	Dodge Non-Expansion		Dodge Expansion	
	Dodge Part No.	Description	Dodge Part No.	Description
2-7/16	071962	SEP4B-S2-207R	071970	SEP4B-S2-207RE
2-11/16	071963	SEP4B-S2-211R	071971	SEP4B-S2-211RE
2-15/16	071964	SEP4B-S2-215R	071972	SEP4B-S2-215RE
3	071965	SEP4B-S2-300R	071973	SEP4B-S2-300RE
3-7/16	071966	SEP4B-S2-307R	071974	SEP4B-S2-307RE
3-15/16	071967	SEP4B-S2-315R	071975	SEP4B-S2-315RE
4-7/16	071968	SEP4B-S2-407R	071976	SEP4B-S2-407RE
4-15/16	071969	SEP4B-S2-415R	071977	SEP4B-S2-415RE

Shaft Size	A	B	C	D Min	D Max	E	F Bolt Dia	G	H
2-7/16	3.20	10.25	3.25	7.13	8.75	1.88	5/8	1.57	1.63
2-11/16	3.59	10.83	3.38	8.00	9.60	2.12	5/8	1.56	1.88
2-15/16									
3	4.01	13.63	3.75	9.25	11.25	2.38	3/4	1.88	2.25
3-7/16									
3-15/16									
4-7/16	6.53	16.13	4.75	11.88	14.50	2.50	3/4	2.19	2.75
4-15/16	6.91	17.50	5.04	15.13	15.88	2.88	7/8	1.38	3.00

"A" & "R" Dimensions Do Not Include "Y" Dimension

Reference Dimension Only

Shaft Size	J	L	M	R	S	X Total Exp	Y	Z	Set Screw Size	S/S Torque In/Lbs
2-7/16	5.71	3.86	2.75	1.20	2.00	1/4	0.025	2.94	3/8	290
2-11/16	6.32	4.61	3.13	1.34	2.25	1/4	0.025	3.47	1/2	620
2-15/16										
3	7.69	5.50	3.75	1.51	2.50	1/4	0.025	4.05	1/2	620
3-7/16										
3-15/16										
4-7/16	9.67	6.45	4.75	2.87	3.66	3/8	0.036	5.00	5/8	1325
4-15/16	11.16	7.45	5.50	3.29	3.62	3/8	N/A	N/A	5/8	1325

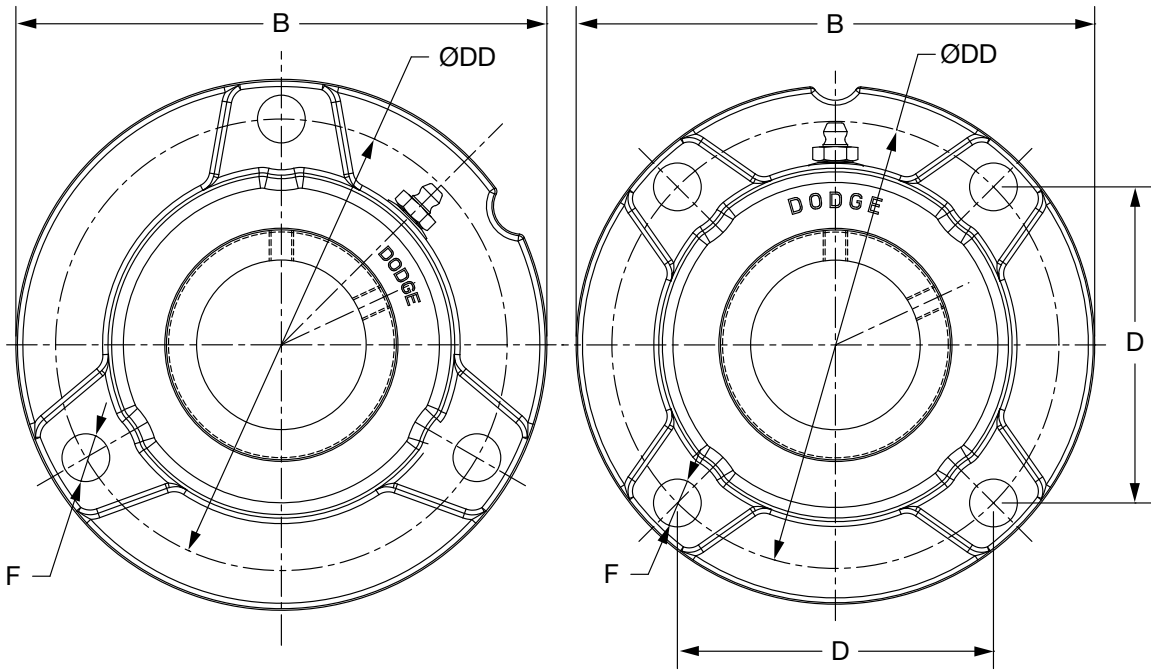
"A" & "R" Dimensions Do Not Include "Y" Dimension

FEATURES/BENEFITS PAGE B12-2	SPECIFICATION PAGE B12-4	HOW TO ORDER/NOMENCLATURE PAGE B12-4	SELECTIONS PAGE B12-7
---------------------------------	-----------------------------	---	--------------------------



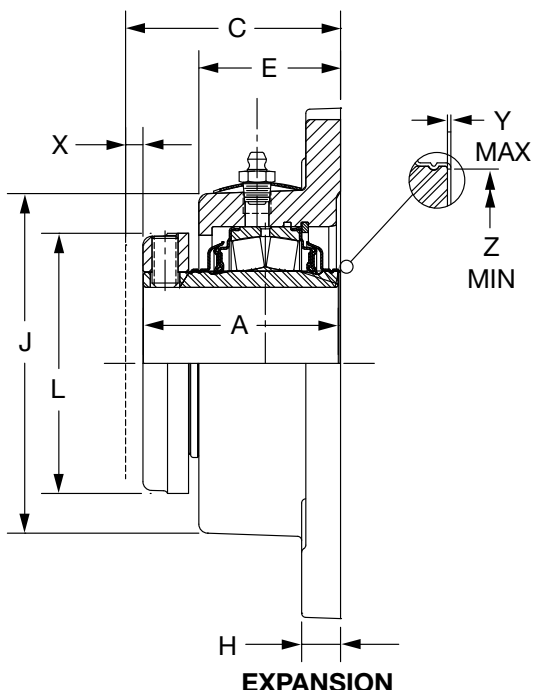
DIMENSIONS

S-2000 Flange Bearing - Round

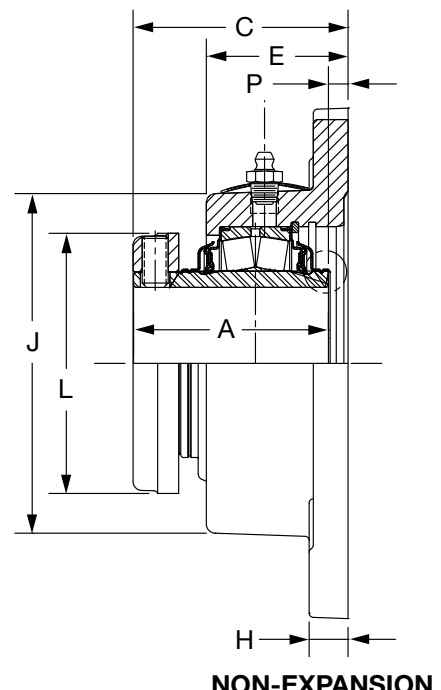


**1-3/8" THRU 1-1/2"
CONSTRUCTION**

**1-11/16" - 3"
CONSTRUCTION**



EXPANSION



NON-EXPANSION

FEATURES/BENEFITS
PAGE B12-2

SPECIFICATION
PAGE B12-4

HOW TO ORDER/NOMENCLATURE
PAGE B12-4

SELECTIONS
PAGE B12-7

DIMENSIONS



S-2000 Flange Bearing - Round

Bearing	Shaft Size Inch	TRIDENT Seal				Labyrinth Seal			
		Non-Expansion		Expansion		Non-Expansion		Expansion	
		Part No.	Part Name	Part No.	Part Name	Part No.	Part Name	Part No.	Part Name
22208	1 - 3/8	070436	F3R-S2-106R	070470	F3R-S2-106RE	070491	F3R-S2-106L	070523	F3R-S2-106LE
	1 - 7/16	070437	F3R-S2-107R	070471	F3R-S2-107RE	070492	F3R-S2-107L	070524	F3R-S2-107LE
	1 - 1/2	070438	F3R-S2-108R	070472	F3R-S2-108RE	070493	F3R-S2-108L	070525	F3R-S2-108LE
22209	1 - 11/16	070440	F4R-S2-111R	070474	F4R-S2-111RE	070495	F4R-S2-111L	070527	F4R-S2-111LE
	1 - 3/4	070441	F4R-S2-112R	070475	F4R-S2-112RE	070496	F4R-S2-112L	070528	F4R-S2-112LE
22210	1 - 15/16	070442	F4R-S2-115R	070476	F4R-S2-115RE	070497	F4R-S2-115L	070529	F4R-S2-115LE
	2	070443	F4R-S2-200R	070477	F4R-S2-200RE	070498	F4R-S2-200L	070530	F4R-S2-200LE
22211	2 - 3/16	070444	F4R-S2-203R	070478	F4R-S2-203RE	070499	F4R-S2-203L	070531	F4R-S2-203LE
22213	2-7/16	070446	F4R-S2-207R	070480	F4R-S2-207RE	070501	F4R-S2-207L	070533	F4R-S2-207LE
22215	2-11/16	070448	F4R-S2-211R	070482	F4R-S2-211RE	070503	F4R-S2-211L	070535	F4R-S2-211LE
	2-15/16	070449	F4R-S2-215R	070483	F4R-S2-215RE	070504	F4R-S2-215L	070536	F4R-S2-215LE
	3	070450	F4R-S2-300R	070484	F4R-S2-300RE	070505	F4R-S2-300L	070537	F4R-S2-300LE

Shaft Size	A	B	C	D	DD	E	F Bolt Dia.	H	J	L	P	X Total Exp.	Y	Z
1 - 3/8														
1 - 7/16	2.53	5.88	2.77	3.53	5.00	1.80	1/2*	0.50	3.84	2.75	0.23	3/16	0.020	1.80
1 - 1/2														
1 - 11/16	2.67	6.38	2.97	3.89	5.50	1.89	1/2**	0.50	4.34	3.19	0.30	1/4	0.020	2.08
1 - 3/4														
1 - 15/16	2.84	6.69	3.14	4.06	5.75	1.92	1/2**	0.56	4.59	3.44	0.30	1/4	0.020	2.30
2														
2 - 3/16	2.94	7.38	3.23	4.50	6.38	2.05	5/8**	0.56	4.98	3.75	0.30	1/4	0.025	2.60
2-7/16	3.20	7.75	3.50	4.77	6.75	2.38	5/8**	0.77	5.50	4.06	0.30	1/4	0.025	2.95
2-11/16														
2-15/16	3.59	9.25	3.89	5.56	7.88	2.39	3/4**	0.88	6.36	4.70	0.30	1/4	0.025	3.47
3														

* 3 Equally spaced bolt holes

** 4 Equally spaced bolt holes

FEATURES/BENEFITS PAGE B12-2	SPECIFICATION PAGE B12-4	HOW TO ORDER/NOMENCLATURE PAGE B12-4	SELECTIONS PAGE B12-7
---------------------------------	-----------------------------	---	--------------------------



DIMENSIONS

S-2000 Flange Bearing - Square

Bearing Reference Guide

E-Family Roller Bearings

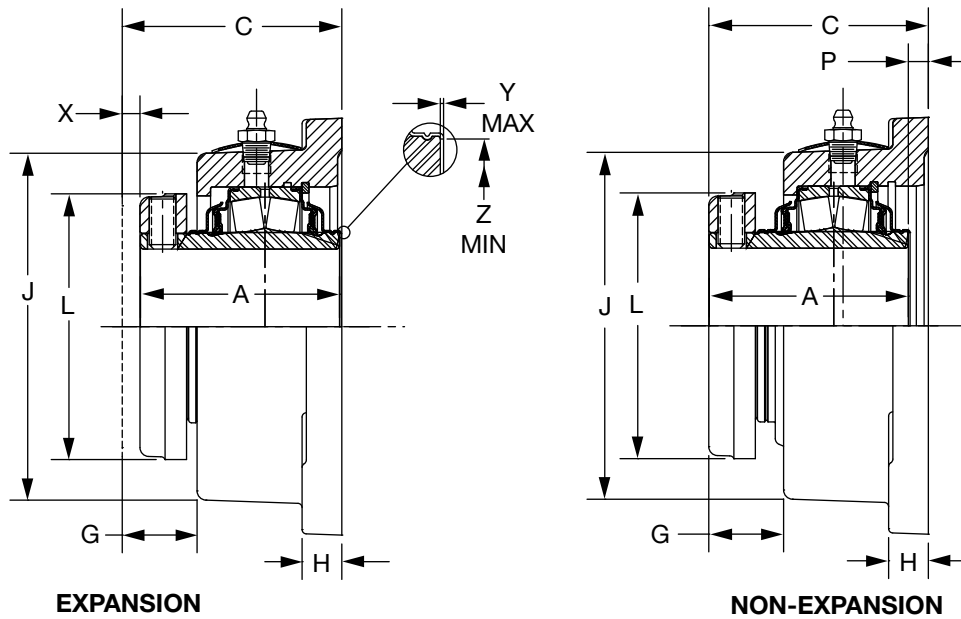
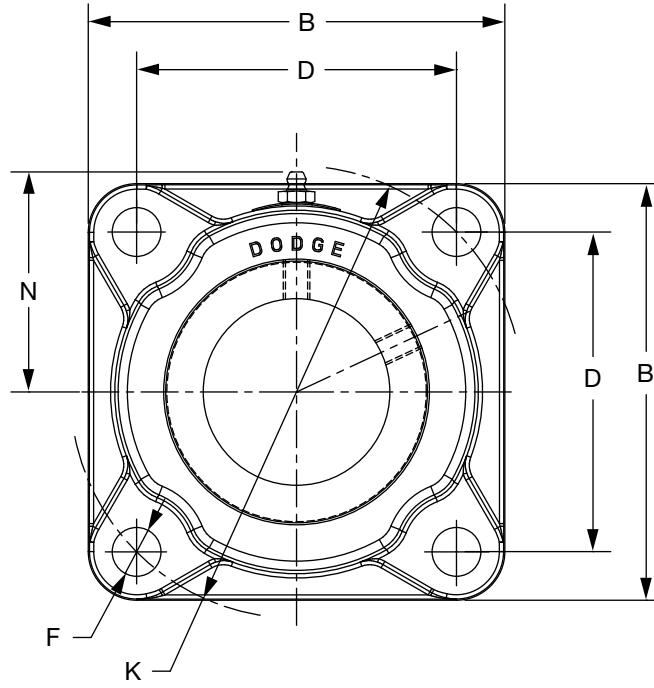
Specialty Tapered Products

S-2000

UNISPHERE II

IMPERIAL

UNIFIED SAF



FEATURES/BENEFITS PAGE B12-2	SPECIFICATION PAGE B12-4	HOW TO ORDER/NOMENCLATURE PAGE B12-4	SELECTIONS PAGE B12-7
---------------------------------	-----------------------------	---	--------------------------

DIMENSIONS



S-2000 Flange Bearing - Square

Bearing	Shaft Size Inch	TRIDENT Seal				Labyrinth Seal			
		Non-Expansion		Expansion		Non-Expansion		Expansion	
		Part No.	Part Name	Part No.	Part Name	Part No.	Part Name	Part No.	Part Name
22208	1-3/8	070541	F4S-S2-106R	070564	F4S-S2-106RE	070600	F4S-S2-106L	070853	F4S-S2-106LE
	1-7/16	070542	F4S-S2-107R	070565	F4S-S2-107RE	070601	F4S-S2-107L	070854	F4S-S2-107LE
	1-1/2	070543	F4S-S2-108R	070566	F4S-S2-108RE	070602	F4S-S2-108L	070855	F4S-S2-108LE
22209	1-11/16	070545	F4S-S2-111R	070568	F4S-S2-111RE	070604	F4S-S2-111L	070857	F4S-S2-111LE
	1-3/4	070546	F4S-S2-112R	070569	F4S-S2-112RE	070605	F4S-S2-112L	070858	F4S-S2-112LE
22210	1-15/16	070547	F4S-S2-115R	070570	F4S-S2-115RE	070606	F4S-S2-115L	070859	F4S-S2-115LE
	2	070548	F4S-S2-200R	070571	F4S-S2-200RE	070607	F4S-S2-200L	070860	F4S-S2-200LE
22211	2-3/16	070549	F4S-S2-203R	070572	F4S-S2-203RE	070608	F4S-S2-203L	070861	F4S-S2-203LE
22213	2-7/16	070551	F4S-S2-207R	070574	F4S-S2-207RE	070610	F4S-S2-207L	070863	F4S-S2-207LE
22215	2-11/16	070553	F4S-S2-211R	070576	F4S-S2-211RE	070612	F4S-S2-211L	070865	F4S-S2-211LE
	2-15/16	070554	F4S-S2-215R	070577	F4S-S2-215RE	070613	F4S-S2-215L	070866	F4S-S2-215LE
	3	070555	F4S-S2-300R	070578	F4S-S2-300RE	070614	F4S-S2-300L	070867	F4S-S2-300LE
22218	3-7/16	070557	F4S-S2-307R	070580	F4S-S2-307RE	070616	F4S-S2-307L	070869	F4S-S2-307LE
22220	3-15/16	070559	F4S-S2-315R	070582	F4S-S2-315RE	070618	F4S-S2-315L	070871	F4S-S2-315LE

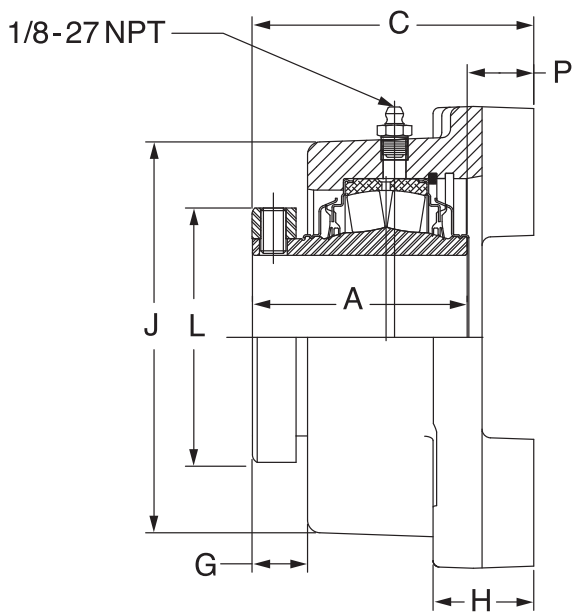
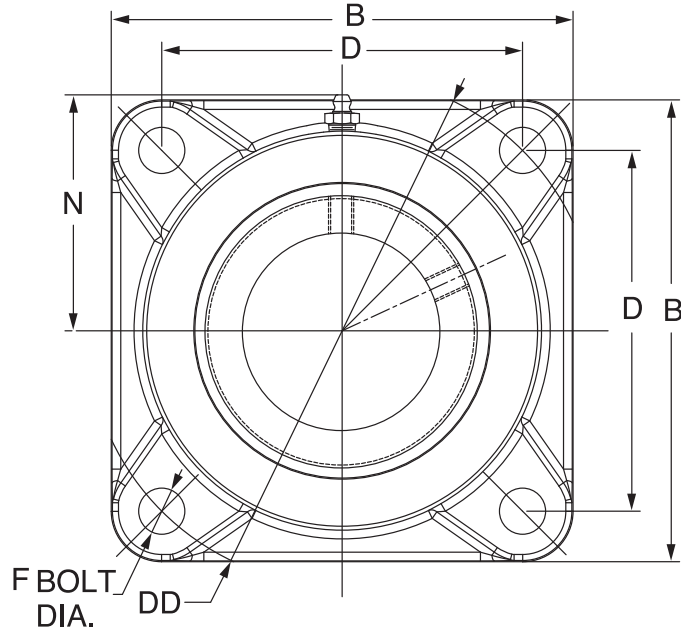
Shaft Size	A	B	C	D	F Bolt Dia	G	H	J	K	L	N	P	X Total Exp.	Y	Z
1-3/8															
1-7/16	2.53	4.75	2.77	3.53	1/2	0.99	0.50	3.81	5.00	2.75	2.48	0.23	3/16	0.020	1.80
1-1/2															
1-11/16	2.67	5.13	2.97	3.89	1/2	1.08	0.50	4.41	5.50	3.19	2.78	0.30	1/4	0.020	2.08
1-3/4															
1-15/16	2.84	5.30	3.16	4.06	1/2	1.23	0.56	4.97	5.75	3.44	2.91	0.31	1/4	0.020	2.30
2															
2-3/16	2.94	5.88	3.25	4.52	5/8	1.20	0.56	5.02	6.38	3.75	3.09	0.31	1/4	0.025	2.60
2-7/16	3.20	6.13	3.52	4.78	5/8	1.14	0.64	5.63	6.75	4.06	3.41	0.31	1/4	0.025	2.95
2-11/16															
2-15/16	3.59	7.19	3.91	5.56	3/4	1.52	0.75	6.50	7.88	4.70	3.84	0.31	1/4	0.025	3.47
3															
3-7/16	4.00	8.25	4.31	6.72	3/4	1.44	0.94	7.48	9.50	5.50	4.33	0.31	1/4	0.025	4.05
3-15/16	4.47	9.25	4.84	7.61	7/8	1.55	1.06	8.22	10.75	6.00	4.70	0.38	5/16	0.025	4.50

FEATURES/BENEFITS PAGE B12-2	SPECIFICATION PAGE B12-4	HOW TO ORDER/NOMENCLATURE PAGE B12-4	SELECTIONS PAGE B12-7
---------------------------------	-----------------------------	---	--------------------------

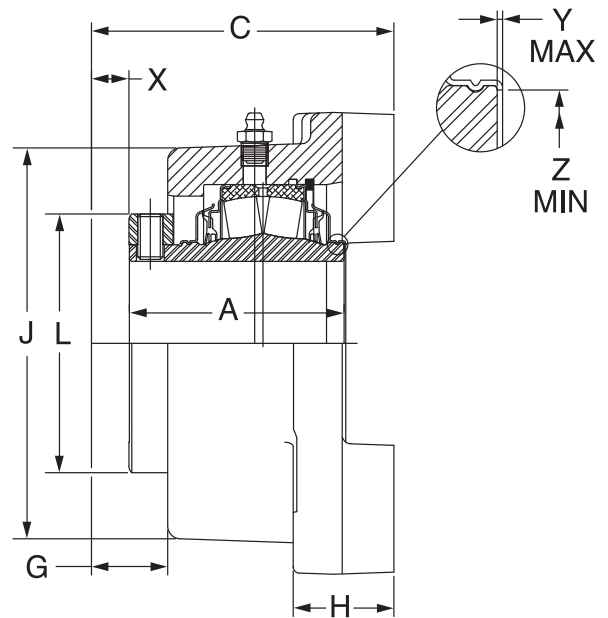
DIMENSIONS



S-2000 Flange Bearing - Square with Type E Dimensions



NON-EXPANSION



EXPANSION

FEATURES/BENEFITS PAGE B12-2	SPECIFICATION PAGE B12-4	HOW TO ORDER/NOMENCLATURE PAGE B12-4	SELECTIONS PAGE B12-7
---------------------------------	-----------------------------	---	--------------------------



DIMENSIONS

S-2000 Flange Bearing - Square with Type E Dimensions

Bearing Series	Shaft Size*	TRIDENT Seal				Labyrinth Seal			
		Non Expansion		Expansion		Non Expansion		Expansion	
		Part No.	Part Name	Part No.	Part Name	Part No.	Part Name	Part No.	Part Name
22208	1-3/8	071469	EF4B-S2-106R	071482	EF4B-S2-106RE	071495	EF4B-S2-106L	071508	EF4B-S2-106LE
	1-7/16	071470	EF4B-S2-107R	071483	EF4B-S2-107RE	071496	EF4B-S2-107L	071509	EF4B-S2-107LE
22209	1-11/16	071471	EF4B-S2-111R	071484	EF4B-S2-111RE	071497	EF4B-S2-111L	071510	EF4B-S2-111LE
22210	1-15/16	071472	EF4B-S2-115R	071485	EF4B-S2-115RE	071498	EF4B-S2-115L	071511	EF4B-S2-115LE
	2	071473	EF4B-S2-200R	071486	EF4B-S2-200RE	071499	EF4B-S2-200L	071512	EF4B-S2-200LE
22211	2-3/16	071474	EF4B-S2-203R	071487	EF4B-S2-203RE	071500	EF4B-S2-203L	071513	EF4B-S2-203LE
22213	2-7/16	071475	EF4B-S2-207R	071488	EF4B-S2-207RE	071501	EF4B-S2-207L	071514	EF4B-S2-207LE
	2-11/16	071476	EF4B-S2-211R	071489	EF4B-S2-211RE	071502	EF4B-S2-211L	071515	EF4B-S2-211LE
22215	2-15/16	071477	EF4B-S2-215R	071490	EF4B-S2-215RE	071503	EF4B-S2-215L	071516	EF4B-S2-215LE
	3	071478	EF4B-S2-300R	071491	EF4B-S2-300RE	071504	EF4B-S2-300L	071517	EF4B-S2-300LE
22218	3-7/16	071479	EF4B-S2-307R	071492	EF4B-S2-307RE	071505	EF4B-S2-307L	071518	EF4B-S2-307LE
22220	3-15/16	071480	EF4B-S2-315R	071493	EF4B-S2-315RE	071506	EF4B-S2-315L	071519	EF4B-S2-315LE
22222	4-7/16	071481	EF4B-S2-407R	071494	EF4B-S2-407RE	071507	EF4B-S2-407L	071520	EF4B-S2-407LE

*Consult Dodge For Sizes Not Listed

Shaft Size	A	B #	C #	D	DD	F Bolt Dia.	G	H #	J #	L	N	P	X Total Exp.	Y	Z	Set Screw Size	S/S Torque In/Lbs
1-3/8 1-7/16	2.53	4.62	3.06	3.50	4.95	1/2	0.57	1.06	3.88	2.55	2.34	0.53	5/32	0.020	1.80	5/16-18	165
1-11/16	2.67	5.37	3.50	4.13	5.83	1/2	0.53	1.19	4.18	3.01	2.51	0.84	3/16	0.020	2.08	5/16-18	165
1-15/16 2	2.84	5.62	3.63	4.37	6.19	1/2	0.65	1.18	4.36	3.44	2.60	0.78	7/32	0.020	2.30	3/8-16	290
2-3/16	2.94	6.25	3.87	4.87	6.89	5/8	0.60	1.38	4.88	3.50	2.88	0.93	1/4	0.025	2.60	3/8-16	290
2-7/16	3.20	6.88	4.19	5.37	7.60	5/8	0.83	1.50	5.81	4.06	3.32	0.98	1/4	0.025	2.95	3/8-16	290
2-11/16 2-15/16 3	3.59	7.76	4.69	6.00	8.49	3/4	0.88	1.61	6.30	4.61	3.58	1.09	1/4	0.025	3.47	1/2-13	620
3-7/16	4.01	9.25	5.25	7.00	9.90	3/4	0.96	1.87	7.44	5.50	4.15	1.24	1/4	0.025	4.05	1/2-13	620
3-15/16	4.48	10.25	6.50	7.75	10.96	7/8	1.00	2.12	8.27	6.00	4.58	2.02	5/16	0.025	4.50	5/8-11	1325
4-7/16	6.53	10.88	7.10	8.75	12.37	7/8	1.39	2.43	9.13	6.45	5.01	0.56	3/8	N/A	N/A	5/8-11	1325

Note(S): "P" Dimension Is For Non-Expansion Only

"A" And "P" Dimensions Do Not Include "Y" Dimension

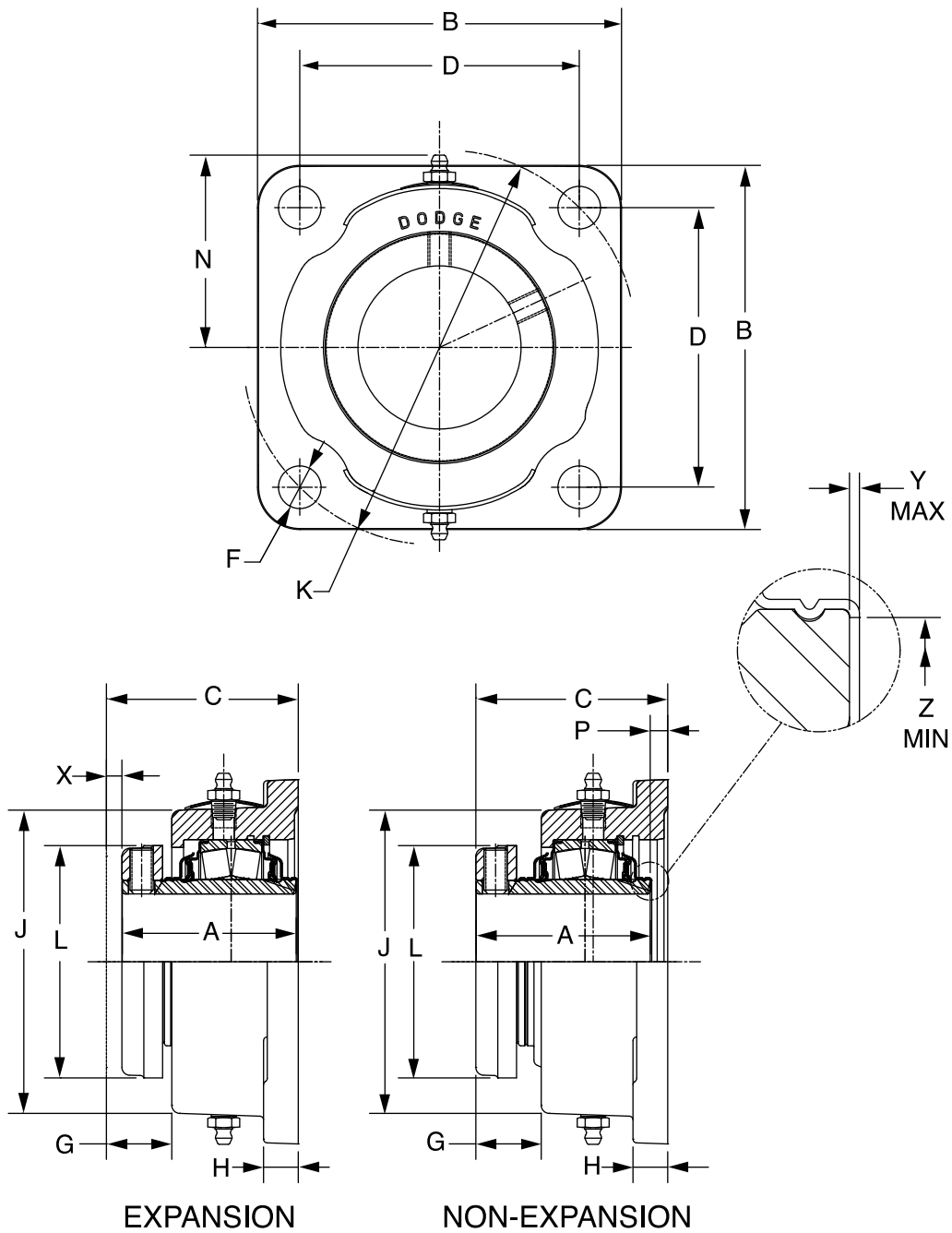
- Reference Dimensions Only

FEATURES/BENEFITS PAGE B12-2	SPECIFICATION PAGE B12-4	HOW TO ORDER/NOMENCLATURE PAGE B12-4	SELECTIONS PAGE B12-7
---------------------------------	-----------------------------	---	--------------------------



DIMENSIONS

Steel S-2000-HD Flange 4-Bolt



FEATURES/BENEFITS
PAGE B12-2

SPECIFICATION
PAGE B12-4

HOW TO ORDER/NOMENCLATURE
PAGE B12-4

SELECTIONS
PAGE B12-7



DIMENSIONS

Steel S-2000-HD Flange 4-Bolt

Shaft Size	Dodge Non-Expansion		Dodge Expansion	
	Dodge Part No.	Description	Dodge Part No.	Description
1-3/8	072386	SF4S-S2-106R	072400	SF4S-S2-106RE
1-7/16	072387	SF4S-S2-107R	072401	SF4S-S2-107RE
1-1/2	072388	SF4S-S2-108R	072402	SF4S-S2-108RE
1-11/16	072389	SF4S-S2-111R	072403	SF4S-S2-111RE
1-3/4	072390	SF4S-S2-112R	072404	SF4S-S2-112RE
1-15/16	072391	SF4S-S2-115R	072405	SF4S-S2-115RE
2	072392	SF4S-S2-200R	072406	SF4S-S2-200RE
2-3/16	072393	SF4S-S2-203R	072407	SF4S-S2-203RE
2-7/16	072394	SF4S-S2-207R	072408	SF4S-S2-207RE
2-11/16	072395	SF4S-S2-211R	072409	SF4S-S2-211RE
2-15/16	072396	SF4S-S2-215R	072410	SF4S-S2-215RE
3	072397	SF4S-S2-300R	072411	SF4S-S2-300RE
3-7/16	072398	SF4S-S2-307R	072412	SF4S-S2-307RE
3-15/16	072399	SF4S-S2-315R	072413	SF4S-S2-315RE

Shaft Size	A	B	C	D	F Bolt Dia.	G	H	J	K	L	N	P	X Total Exp	Y	Z
1-3/8															
1-7/16	2.53	4.62	2.77	3.54	1/2	0.76	0.88	3.70	5.00	2.75	2.25	0.24	3/16	0.02	1.80
1-1/2															
1-11/16	2.67	5.37	2.87	3.89	1/2	0.77	0.88	4.41	5.50	3.19	2.62	0.20	1/4	0.02	2.08
1-3/4															
1-15/16	2.84	5.18	3.16	4.07	1/2	0.91	0.91	4.66	5.75	3.44	2.75	0.32	1/4	0.02	2.30
2															
2-3/16	2.94	5.87	3.16	4.51	5/8	0.83	0.75	5.03	6.38	3.75	2.93	0.22	1/4	0.02	2.59
2-7/16	3.20	6.18	3.34	4.77	5/8	0.72	1.00	5.63	6.75	4.06	3.23	0.14	1/4	0.025	2.94
2-11/16															
2-15/16	3.59	7.18	3.87	5.57	3/4	1.04	1.06	6.51	7.88	4.70	3.75	0.28	1/4	0.025	3.47
3															
3-7/16	4.00	8.37	4.11	6.72	3/4	0.78	1.28	7.49	9.50	5.50	4.17	0.11	1/4	0.025	4.05
3-15/16	4.48	9.49	4.84	7.60	1	0.85	1.50	8.22	10.75	6.00	4.68	0.36	5/32	0.025	4.50

"P" Dimension Is For Non-Expansion Only

"A" & "P" Dimensions Do Not Include "Y" Dimension

FEATURES/BENEFITS PAGE B12-2	SPECIFICATION PAGE B12-4	HOW TO ORDER/NOMENCLATURE PAGE B12-4	SELECTIONS PAGE B12-7
---------------------------------	-----------------------------	---	--------------------------



DIMENSIONS

S-2000 Piloted Flange

Bearing Reference Guide

E-Family Roller Bearings

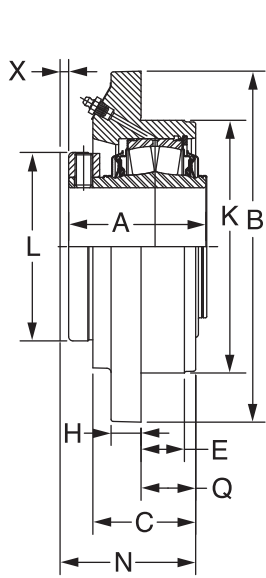
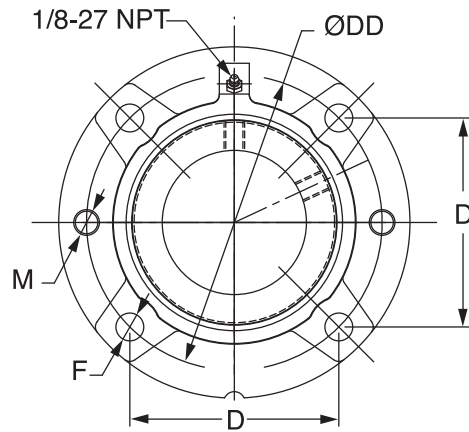
Specialty Tapered Products

S-2000

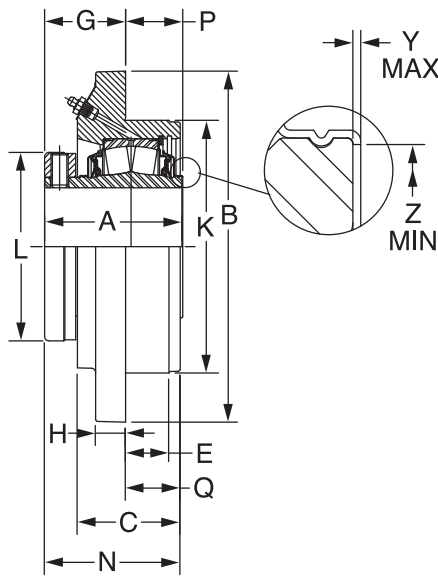
UNISPHERE II

IMPERIAL

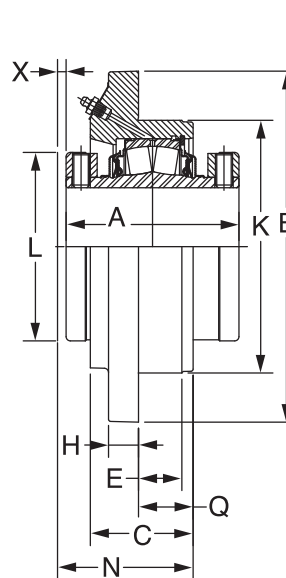
UNIFIED SAF



EXPANSION

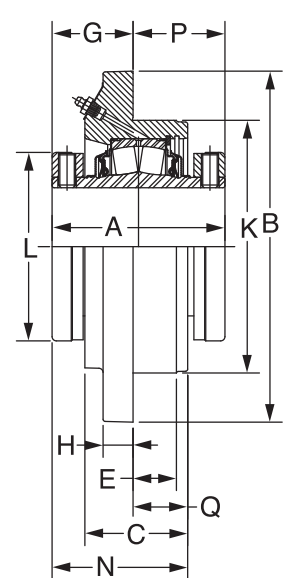


NON-EXPANSION



4-7/16 THRU 5"
CONSTRUCTION

EXPANSION



4-7/16 THRU 5"
CONSTRUCTION

NON-EXPANSION

DIMENSIONS



S-2000 Piloted Flange

Bearing	Shaft Size Inch	TRIDENT Seal				Labyrinth Seal			
		Non-Expansion		Expansion		Non-Expansion		Expansion	
		Part No.	Part Name	Part No.	Part Name	Part No.	Part Name	Part No.	Part Name
22208	1-3/8	070644	FC-S2-106R	070671	FC-S2-106RE	070698	FC-S2-106L	070725	FC-S2-106LE
	1-7/16	070645	FC-S2-107R	070672	FC-S2-107RE	070699	FC-S2-107L	070726	FC-S2-107LE
	1-1/2	070646	FC-S2-108R	070673	FC-S2-108RE	070700	FC-S2-108L	070727	FC-S2-108LE
22209	1-11/16	070648	FC-S2-111R	070675	FC-S2-111RE	070702	FC-S2-111L	070729	FC-S2-111LE
	1-3/4	070649	FC-S2-112R	070676	FC-S2-112RE	070703	FC-S2-112L	070730	FC-S2-112LE
22210	1-15/16	070650	FC-S2-115R	070677	FC-S2-115RE	070704	FC-S2-115L	070731	FC-S2-115LE
	2	070651	FC-S2-200R	070678	FC-S2-200RE	070705	FC-S2-200L	070732	FC-S2-200LE
22211	2-3/16	070652	FC-S2-203R	070679	FC-S2-203RE	070706	FC-S2-203L	070733	FC-S2-203LE
22213	2-7/16	070654	FC-S2-207R	070681	FC-S2-207RE	070708	FC-S2-207L	070735	FC-S2-207LE
22215	2-11/16	070656	FC-S2-211R	070683	FC-S2-211RE	070710	FC-S2-211L	070737	FC-S2-211LE
	2-15/16	070657	FC-S2-215R	070684	FC-S2-215RE	070711	FC-S2-215L	070738	FC-S2-215LE
	3	070658	FC-S2-300R	070685	FC-S2-300RE	070712	FC-S2-300L	070739	FC-S2-300LE
22218	3-7/16	070660	FC-S2-307R	070687	FC-S2-307RE	070714	FC-S2-307L	070741	FC-S2-307LE
22220	3-15/16	070662	FC-S2-315R	070689	FC-S2-315RE	070716	FC-S2-315L	070743	FC-S2-315LE
22222	4-7/16 **	070664	FC-S2-407R	070691	FC-S2-407RE	070718	FC-S2-407L	070745	FC-S2-407LE
22226	4-15/16 **	070666	FC-S2-415R	070693	FC-S2-415RE	070720	FC-S2-415L	070747	FC-S2-415LE

Shaft Size	A	B	C	D	DD	E	F Bolt Dia.	G	H	* K	L	M	N	P	Q	X Total Exp.	Y	Z
1-3/8																		
1-7/16	2.53	5.25	1.84	3.09	4.38	0.75	3/8	1.31	0.50	3.63	2.75	3/8-16	2.55	1.22	1.22	3/16	0.020	1.80
1-1/2																		
1-11/16	2.67	6.13	1.91	3.63	5.13	0.88	7/16	1.45	0.50	4.25	3.19	7/16-14	2.72	1.22	1.27	1/4	0.020	2.08
1-3/4																		
1-15/16	2.84	6.38	2.00	3.80	5.38	0.88	7/16	1.59	0.56	4.50	3.44	7/16-14	2.86	1.25	1.27	1/4	0.020	2.30
2																		
2-3/16	2.94	7.13	2.19	4.25	6.00	1.00	1/2	1.56	0.56	5.00	3.75	1/2-13	2.98	1.38	1.42	1/4	0.025	2.59
2-7/16	3.20	7.63	2.50	4.59	6.50	1.00	1/2	1.64	0.63	5.50	4.06	1/2-13	3.20	1.56	1.56	1/4	0.025	2.94
2-11/16																		
2-15/16	3.59	8.75	2.63	5.30	7.50	1.25	5/8	2.03	0.75	6.38	4.70	5/8-11	3.64	1.56	1.63	1/4	0.025	3.47
3																		
3-7/16	4.00	10.25	3.00	6.09	8.63	1.27	3/4	2.36	0.94	7.38	5.50	3/4-10	3.88	1.64	1.52	1/4	0.025	4.05
3-15/16	4.47	10.88	3.50	6.63	9.38	1.47	3/4	2.66	1.13	8.13	6.00	3/4-10	4.56	1-31	1.91	5/16	0.025	4.50
4-7/16	6.53	13.58	4.00	5.88	11.75	1.45	3/4**	3.53	1.00	10.25	6.45	3/4-10	5.50	3.00	1.98	3/8	N/A	N/A
4-15/16	6.91	14.84	4.38	6.38	12.75	1.70	7/8**	3.44	1.25	11.00	7.45	7/8-9	5.86	3.47	2.42	3/8	N/A	N/A

** Housing utilize 6 bolts equally spaced

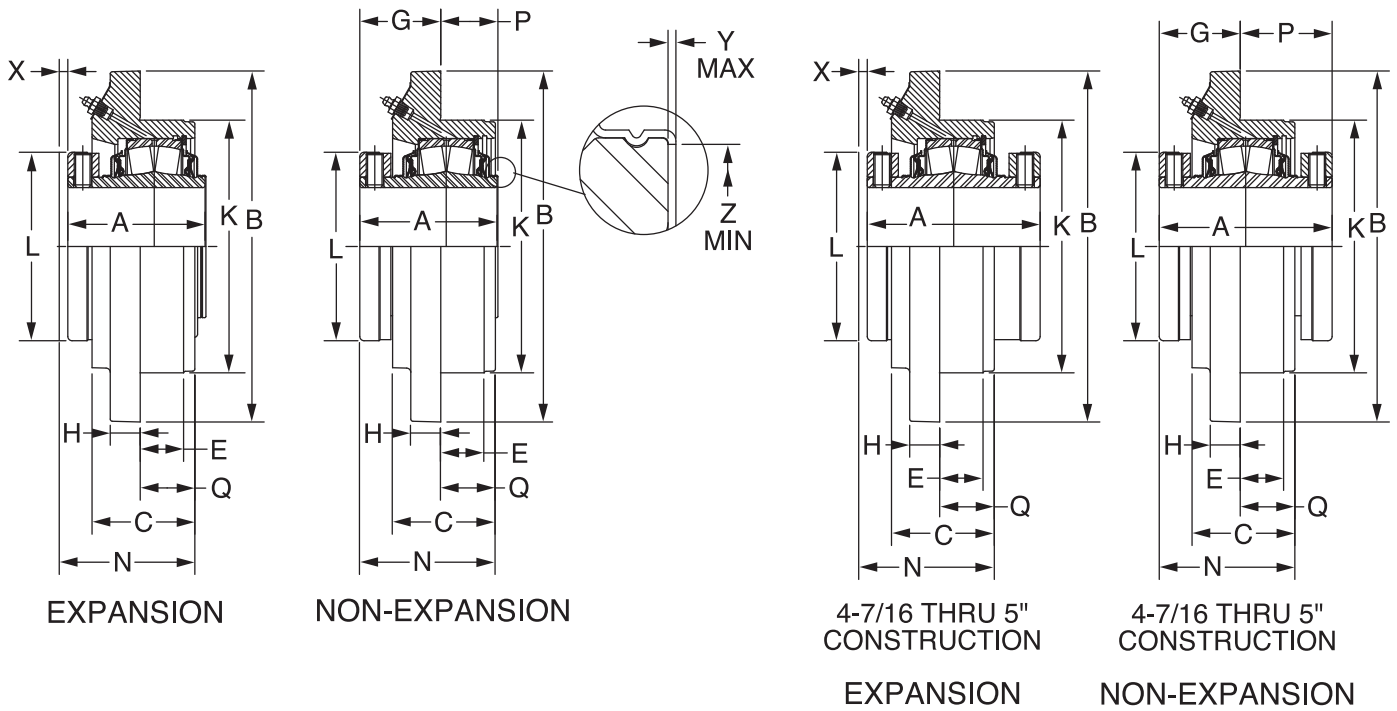
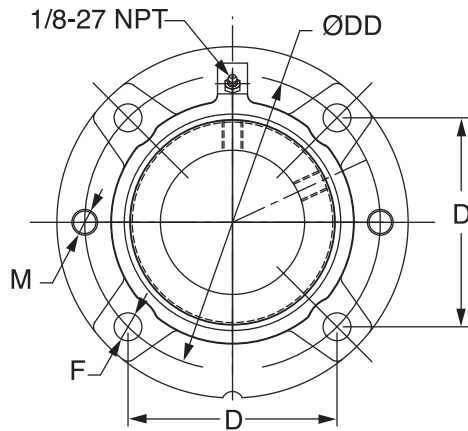
* +.000/- .002"

FEATURES/BENEFITS PAGE B12-2	SPECIFICATION PAGE B12-4	HOW TO ORDER/NOMENCLATURE PAGE B12-4	SELECTIONS PAGE B12-7
---------------------------------	-----------------------------	---	--------------------------



DIMENSIONS

S-2000 Piloted Flange with Type E Dimensions



FEATURES/BENEFITS
PAGE B12-2

SPECIFICATION
PAGE B12-4

HOW TO ORDER/NOMENCLATURE
PAGE B12-4

SELECTIONS
PAGE B12-7

Bearing Reference Guide

E-Family Roller Bearings

Specialty Tapered Products

S-2000

UNISPHERE II

IMPERIAL

UNIFIED SAF



DIMENSIONS

S-2000 Piloted Flange with Type E Dimensions

Bearing Series	Shaft Size*	TRIDENT SEAL				Labyrinth Seal			
		Non Expansion		Expansion		Non Expansion		Expansion	
		Part No.	Part Name	Part No.	Part Name	Part No.	Part Name	Part No.	Part Name
22208	1-3/8	070644	FC-S2-106R	070671	FC-S2-106RE	070698	FC-S2-106L	070725	FC-S2-106LE
	1-7/16	070645	FC-S2-107R	070672	FC-S2-107RE	070699	FC-S2-107L	070726	FC-S2-107LE
22209	1-11/16	070648	FC-S2-111R	070675	FC-S2-111RE	070702	FC-S2-111L	070729	FC-S2-111LE
22210	1-15/16	070650	FC-S2-115R	070677	FC-S2-115RE	070704	FC-S2-115L	070731	FC-S2-115LE
	2	070651	FC-S2-200R	070678	FC-S2-200RE	070705	FC-S2-200L	070732	FC-S2-200LE
22211	2-3/16	070652	FC-S2-203R	070679	FC-S2-203RE	070706	FC-S2-203L	070733	FC-S2-203LE
22213	2-7/16	070654	FC-S2-207R	070681	FC-S2-207RE	070708	FC-S2-207L	070735	FC-S2-207LE
22215	2-11/16	070656	FC-S2-211R	070683	FC-S2-211RE	070710	FC-S2-211L	070737	FC-S2-211LE
	2-15/16	070657	FC-S2-215R	070684	FC-S2-215RE	070711	FC-S2-215L	070738	FC-S2-215LE
	3	070658	FC-S2-300R	070685	FC-S2-300RE	070712	FC-S2-300L	070739	FC-S2-300LE
22218	3-7/16	070660	FC-S2-307R	070687	FC-S2-307RE	070714	FC-S2-307L	070741	FC-S2-307LE
22220	3-15/16	070662	FC-S2-315R	070689	FC-S2-315RE	070716	FC-S2-315L	070743	FC-S2-315LE
22222	4-7/16	071521	EFC-S2-407R	071523	EFC-S2-407RE	071525	EFC-S2-407L	071527	EFC-S2-407LE
22226	4-15/16	071522	EFC-S2-415R	071524	EFC-S2-415RE	071526	EFC-S2-415L	071528	EFC-S2-415LE

Shaft Size	A	B #	C #	D	DD	E #	F Bolt Dia.	G	H #	K ##	L	M	N	P	Q #	X Total Exp.	Y	Z	Set Screw Size	S/S Torque In/Lbs
1-3/8	2.53	5.25	1.84	3.09	4.38	0.75	3/8	1.31	0.50	3.625	2.55	3/8-16	2.53	1.22	1.22	3/16	0.020	1.80	5/16	165
1-7/16	2.67	6.13	1.91	3.63	5.13	0.88	7/16	1.45	0.50	4.250	3.01	7/16-14	2.72	1.22	1.26	1/4	0.020	2.08	5/16	165
1-11/16	2.84	6.38	2.00	3.80	5.38	0.88	7/16	1.59	0.56	4.500	3.44	7/16-14	2.86	1.25	1.26	1/4	0.020	2.30	3/8	290
2-3/16	2.94	7.13	2.19	4.25	6.00	1.00	1/2	1.56	0.56	5.000	3.50	1/2-13	2.98	1.38	1.42	1/4	0.025	2.59	3/8	290
2-7/16	3.20	7.63	2.50	4.59	6.50	1.00	1/2	1.64	0.63	5.500	4.06	1/2-13	3.20	1.56	1.56	1/4	0.025	2.94	3/8	290
2-11/16	3.59	8.75	2.63	5.30	7.50	1.25	5/8	2.03	0.75	6.375	4.61	5/8-11	3.64	1.56	1.63	1/4	0.025	3.47	1/2	620
2-15/16	3.59	8.75	2.63	5.30	7.50	1.25	5/8	2.03	0.75	6.375	4.61	5/8-11	3.64	1.56	1.63	1/4	0.025	3.47	1/2	620
3-7/16	4.01	10.25	3.00	6.09	8.63	1.26	3/4	2.36	0.94	7.375	5.50	3/4-10	3.88	1.65	1.52	1/4	0.025	4.05	1/2	620
3-15/16	4.47	10.88	3.50	6.63	9.38	1.47	3/4	2.66	1.13	8.125	6.00	3/4-10	4.56	1.81	1.91	5/16	0.025	4.50	5/8	1325
4-7/16	6.53	13.50	4.58	5.88	11.75	1.45	3/4 **	3.00	0.94	10.250	6.45	3/4-10	5.63	3.53	2.63	3/8	N/A	N/A	5/8	1325
4-15/16	6.91	14.75	4.88	6.38	12.75	1.70	7/8 **	2.97	1.25	11.000	7.45	7/8-9	5.95	3.94	3.01	3/8	N/A	N/A	5/8	1325

- +0.000 Note(S): "P" And "G" Dimensions Are For Non-Expansion Only
 -0.002 "A" And "P" Dimensions Do Not Include "Y" Dimension

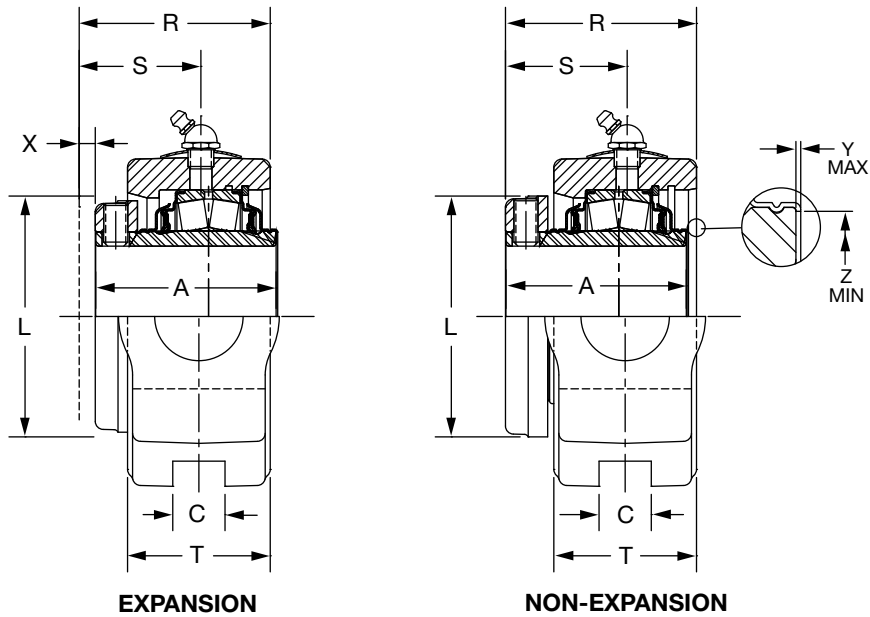
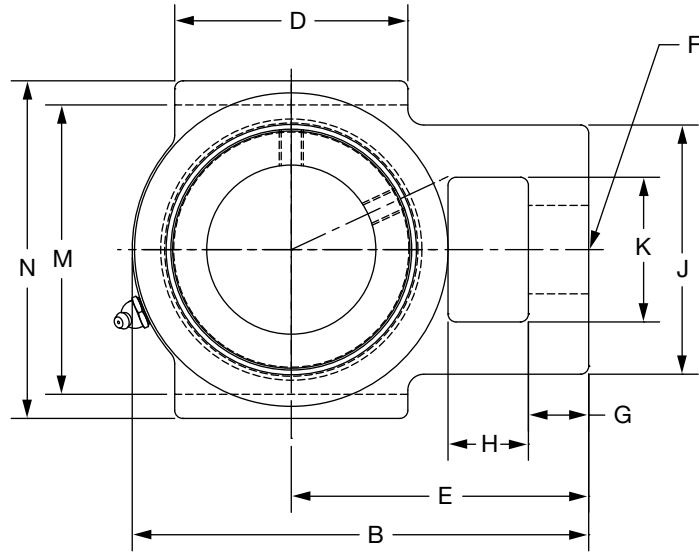
- Reference Dimension Only

FEATURES/BENEFITS PAGE B12-2	SPECIFICATION PAGE B12-4	HOW TO ORDER/NOMENCLATURE PAGE B12-4	SELECTIONS PAGE B12-7
---------------------------------	-----------------------------	---	--------------------------



DIMENSIONS

S-2000 Wide Slot Take-Up 1-3/8 THRU 2-3/16 INCH





DIMENSIONS

S-2000 Wide Slot Take-Up 1-3/8 THRU 2-3/16 INCH

Bearing	Shaft Size Inch	Take-Up Frame	TRIDENT Seal			
			Non-Expansion		Expansion	
			Part No.	Part Name	Part No.	Part Name
22208	1-3/8	CP-308	070752	WSTU-S2-106R	070779	WSTU-S2-106RE
	1-7/16		070753	WSTU-S2-107R	070780	WSTU-S2-107RE
	1-1/2		070754	WSTU-S2-108R	070781	WSTU-S2-108RE
22209	1-11/16	CP-400	070756	WSTU-S2-111R	070783	WSTU-S2-111RE
	1-3/4		070757	WSTU-S2-112R	070784	WSTU-S2-112RE
22210	1-15/16	CP-400	070758	WSTU-S2-115R	070785	WSTU-S2-115RE
	2		070759	WSTU-S2-200R	070786	WSTU-S2-200RE
22211	2-3/16	CP-408	070760	WSTU-S2-203R	070787	WSTU-S2-203RE

Shaft Size	A	B	C	D	E	F	G	H	J	K
1-3/8										
1-7/16	2.53	5.06	0.53	2.75	3.19	7/8	0.69	0.63	2.44	1.44
1-1/2										
1-11/16	2.67	5.94	0.69	3.13	3.81	1-1/8	0.94	0.75	3.31	1.94
1-3/4										
1-15/16	2.84	6.19	0.69	3.63	3.94	1-1/8	0.94	0.75	3.31	1.94
2										
2-3/16	2.94	7.06	0.81	3.63	4.63	1-3/8	0.94	1.25	3.88	2.25

Shaft Size	L	M	N	R	S	T	X Total Exp	Y	Z
1-3/8									
1-7/16	2.75	3.50	4.13	2.73	1.70	2.06	3/16	0.020	1.80
1-1/2									
1-11/16	3.19	4.00	4.75	2.83	1.81	2.03	1/4	0.020	2.08
1-3/4									
1-15/16	3.44	4.00	4.75	2.94	1.94	2.00	1/4	0.020	2.30
2									
2-3/16	3.75	4.50	5.25	3.09	1.98	2.22	1/4	0.020	2.59

FEATURES/BENEFITS PAGE B12-2	SPECIFICATION PAGE B12-4	HOW TO ORDER/NOMENCLATURE PAGE B12-4	SELECTIONS PAGE B12-7
---------------------------------	-----------------------------	---	--------------------------



DIMENSIONS

S-2000 Wide Slot Take-Up 2-7/16 THRU 4-15/16 INCH

Bearing Reference Guide

E-Family Roller Bearings

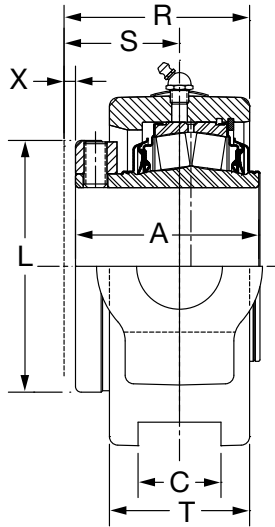
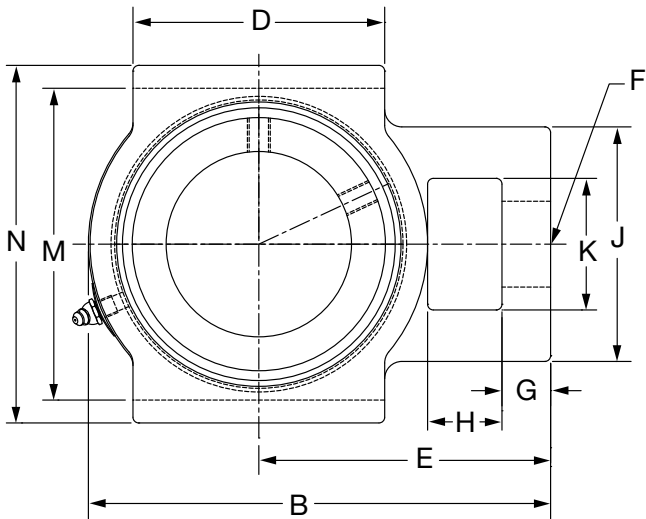
Specialty Tapered Products

S-2000

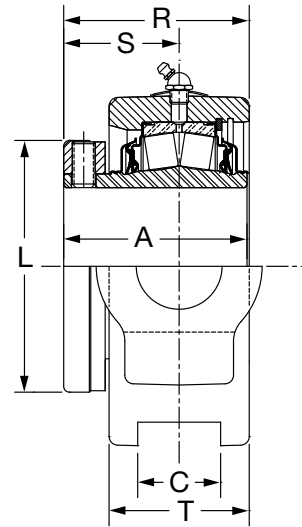
UNISPHERE II

IMPERIAL

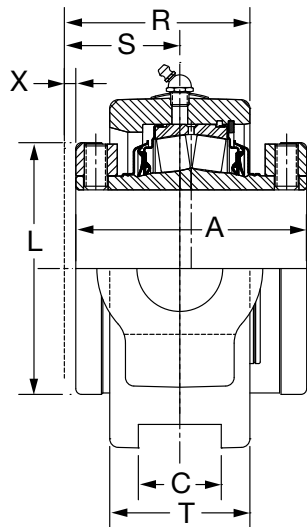
UNIFIED SAF



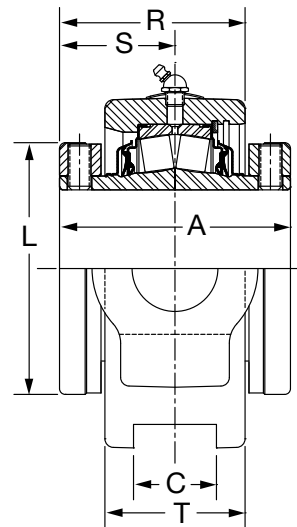
1-3/8 THRU 3-15/16"
CONSTRUCTION



1-3/8 THRU 3-15/16"
CONSTRUCTION



4-7/16 THRU 4-15/16"
CONSTRUCTION



4-7/16 THRU 4-15/16"
CONSTRUCTION

FEATURES/BENEFITS
PAGE B12-2

SPECIFICATION
PAGE B12-4

HOW TO ORDER/NOMENCLATURE
PAGE B12-4

SELECTIONS
PAGE B12-7



DIMENSIONS

S-2000 Wide Slot Take-Up 2-7/16 THRU 4-15/16 INCH

Bearing	Shaft Size Inch	Take-Up Frame	TRIDENT Seal			
			Non-Expansion		Expansion	
			Part Number	Part Name	Part Number	Part Name
22213	2-7/16	CP-502	070762	WSTU-S2-207R	070789	WSTU-S2-207RE
22215	2-11/16	CP-515	070764	WSTU-S2-211R	070791	WSTU-S2-211RE
	2-15/16		070765	WSTU-S2-215R	070792	WSTU-S2-215RE
	3		070766	WSTU-S2-300R	070793	WSTU-S2-300RE
22218	3-7/16	CP-613	070768	WSTU-S2-307R	070795	WSTU-S2-307RE
22220	3-15/16	CP-810	070770	WSTU-S2-315R	070797	WSTU-S2-315RE
22222	4-7/16	CP-908	070772	WSTU-S2-407R	070799	WSTU-S2-407RE
22226	4-15/16	CP-1004	070774	WSTU-S2-415R	070801	WSTU-S2-415RE

Shaft Size	A	B	C	D	E	F	G	H	J	K
2-7/16	3.20	7.69	1.06	4.38	5.00	1-3/8	1.06	1.25	4.25	2.50
2-11/16	3.59	8.88	1.81	4.50	5.75	1-5/8	1.13	1.50	4.88	2.75
2-15/16										
3										
3-7/16	4.00	10.06	1.81	5.50	6.38	1-7/8	1.06	1.63	5.13	2.88
3-15/16	4.47	12.56	2.06	7.00	6.38	2-1/8	2.06	2.13	6.00	3.38
4-7/16	6.53	13.38	2.06	7.00	8.75	2-1/8	2.00	2.13	6.78	3.38
4-15/16	6.91	15.63	2.06	9.00	10.31	2-3/8	2.50	2.50	7.00	3.75

Shaft Size	L	M	N	R	S	T	X Total Exp	Y	Z
2-7/16	4.06	5.13	5.88	3.20	2.00	2.44	1/4	0.025	2.94
2-11/16	4.70	5.94	6.69	3.75	2.41	2.69	1/4	0.025	3.47
2-15/16									
3									
3-7/16	5.50	6.81	7.81	4.05	2.52	3.06	1/4	0.025	4.05
3-15/16	6.00	8.63	9.44	4.58	2.86	3.44	5/16	0.025	4.50
4-7/16	6.45	9.50	10.33	5.34	3.47	3.75	3/8	N/A	N/A
4-15/16	7.45	10.25	11.25	5.73	3.64	4.19	3/8	N/A	N/A

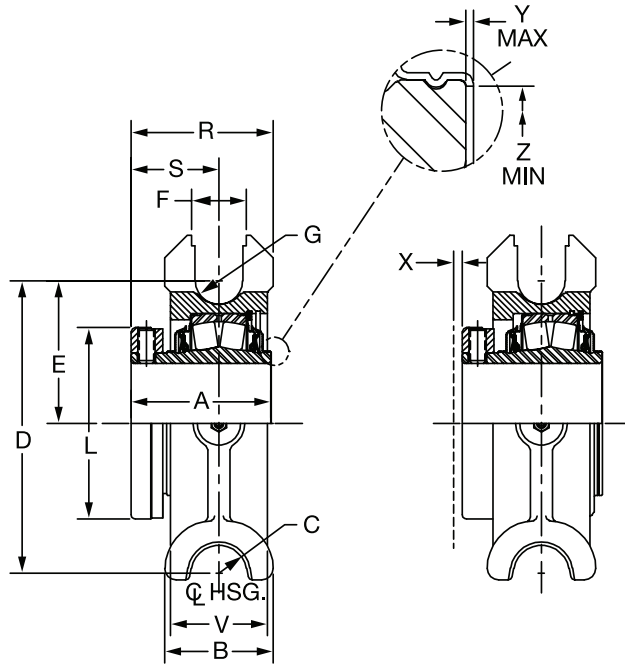
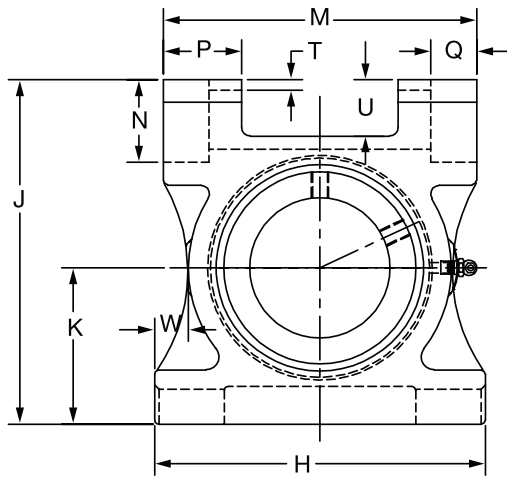
See Page B15-20 for CP Take-Up Frame

FEATURES/BENEFITS PAGE B12-2	SPECIFICATION PAGE B12-4	HOW TO ORDER/NOMENCLATURE PAGE B12-4	SELECTIONS PAGE B12-7
---------------------------------	-----------------------------	---	--------------------------

DIMENSIONS

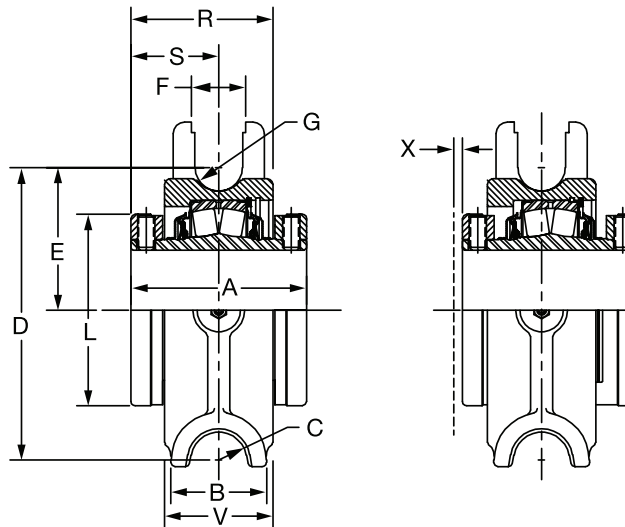


TPHU Take-Up



1-3/8" THRU 3-15/16"
CONSTRUCTION
NON-EXPANSION

1-3-8" THRU 3-15/16
CONSTRUCTION
EXPANSION



4-7/16" THRU 5"
CONSTRUCTION
NON-EXPANSION

4-7-16" THRU 5"
CONSTRUCTION
EXPANSION

FEATURES/BENEFITS PAGE B12-2	SPECIFICATION PAGE B12-4	HOW TO ORDER/NOMENCLATURE PAGE B12-4	SELECTIONS PAGE B12-7
---------------------------------	-----------------------------	---	--------------------------

DIMENSIONS



TPHU Take-Up

Bearing Inch	Shaft Size	Take-Up Frame		TRIDENT Seal			
				Non-Expansion		Expansion	
				Part Number	Part Name	Part Number	Part Name
22210	1-15/16 2	TP10	TPHU110	070811	TPHU-S2-115R	070829	TPHU-S2-115RE
				070812	TPHU-S2-200R	070830	TPHU-S2-200RE
22211	2-3/16	TP30	TPHU120	070813	TPHU-S2-203R	070831	TPHU-S2-203RE
22213	2-7/16	TP40	TPHU130	070815	TPHU-S2-207R	070833	TPHU-S2-207RE
22215	2-11/16 2-15/16 3	TP40	TPHU140	070817	TPHU-S2-211R	070835	TPHU-S2-211RE
				070818	TPHU-S2-215R	070836	TPHU-S2-215RE
				070819	TPHU-S2-300R	070837	TPHU-S2-300RE
22218	3-7/16	TP50	TPHU150	070821	TPHU-S2-307R	070839	TPHU-S2-307RE
22220	3-15/16	TP60	TPHU160	070823	TPHU-S2-315R	070841	TPHU-S2-315RE
22222	4-7/16	N/A	TPHU170	070825	TPHU-S2-407R	070843	TPHU-S2-407RE
22226	4-15/16	N/A	TPHU180	070827	TPHU-S2-415R	070845	TPHU-S2-415RE

Shaft Size	A	B	C	D	E	F	G	H	J	K	L	M
1-15/16 2	2.84	2.38	0.81	5.19	2.38	1.06	0.44	6.50	6.44	3.06	3.44	6.00
2-3/16	2.94	2.75	0.81	6.25	3.00	1.44	0.56	7.50	7.63	3.50	3.75	7.00
2-7/16	3.20	2.75	0.81	7.14	3.33	1.44	0.56	8.50	8.28	3.84	4.06	8.00
2-11/16 2-15/16 3	3.59	2.75	0.81	7.13	3.31	1.44	0.56	8.50	8.50	4.00	4.70	8.00
3-7/16	4.00	3.13	0.81	8.41	4.09	1.56	0.69	9.50	10.06	4.50	5.50	9.00
3-15/16	4.47	3.13	0.81	9.25	4.56	1.56	0.69	11.00	11.50	5.50	6.00	10.50
4-7/16	6.53	3.38	0.81	10.19	5.00	1.56	0.69	11.00	12.38	6.00	6.45	10.50
4-15/16	6.91	3.50	0.81	12.44	6.06	1.81	0.69	14.38	14.63	7.19	7.45	13.88

See Page B19-20 Thru B19-25 For TP And TPHU Frames

Shaft Size	N	P	Q	R	S	T	U	V	W	X Total Exp	Y	Z
1-15/16 2	1.66	1.25	0.81	3.19	2.00	0.31	1.06	2.00	0.88	0.25	0.020	2.30
2-3/16	1.94	1.75	1.06	3.39	2.02	0.31	1.56	2.25	0.94	0.25	0.025	2.59
2-7/16	1.88	1.75	1.06	3.53	2.16	0.31	1.44	2.75	1.00	0.25	0.025	2.94
2-11/16 2-15/16 3	1.94	1.75	1.06	3.83	2.45	0.31	1.50	2.75	1.00	0.25	0.025	3.47
3-7/16	2.53	2.25	1.31	4.22	2.66	0.31	1.78	3.13	0.97	0.25	0.025	4.05
3-15/16	2.50	2.31	1.31	4.52	2.95	0.31	2.00	3.13	1.25	0.31	0.025	4.50
4-7/16	2.44	2.31	1.31	5.45	3.45	0.38	1.94	4.00	0.86	0.38	0.036	5.00
4-15/16	2.38	3.94	1.31	5.88	3.66	0.38	1.94	4.45	1.42	0.38	0.036	5.84

See Page B19-20 Thru B19-25 For TP And TPHU Frames

FEATURES/BENEFITS PAGE B12-2	SPECIFICATION PAGE B12-4	HOW TO ORDER/NOMENCLATURE PAGE B12-4	SELECTIONS PAGE B12-7
---------------------------------	-----------------------------	---	--------------------------



DIMENSIONS

S-2000 Bearing Insert

Bearing Reference Guide

E-Family Roller Bearings

Specialty Tapered Products

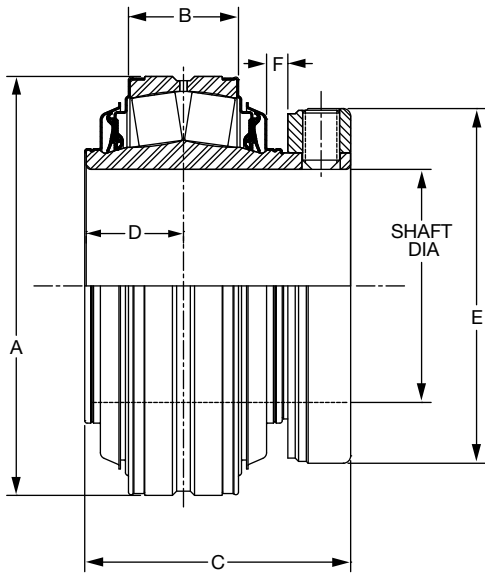
S-2000

UNISPHERE II

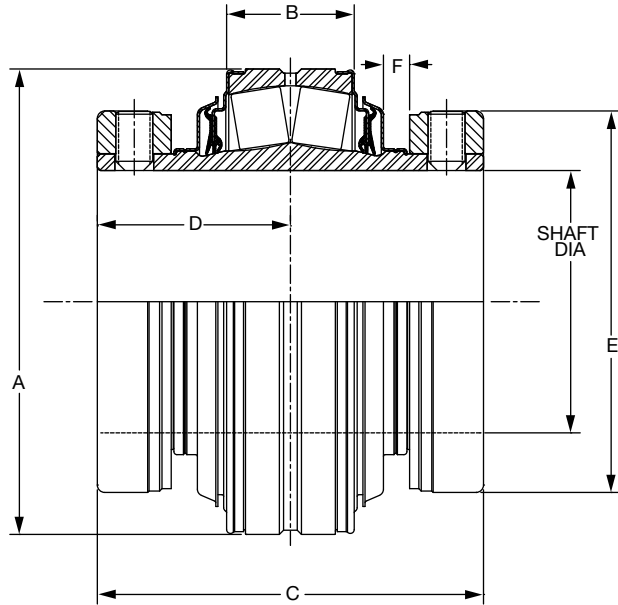
IMPERIAL

UNIFIED SAF

CONTACT SEAL

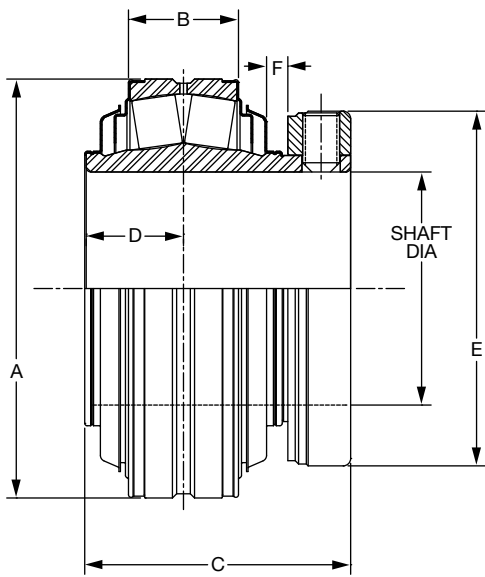


1-3/8 THRU 3-15/16" CONSTRUCTION

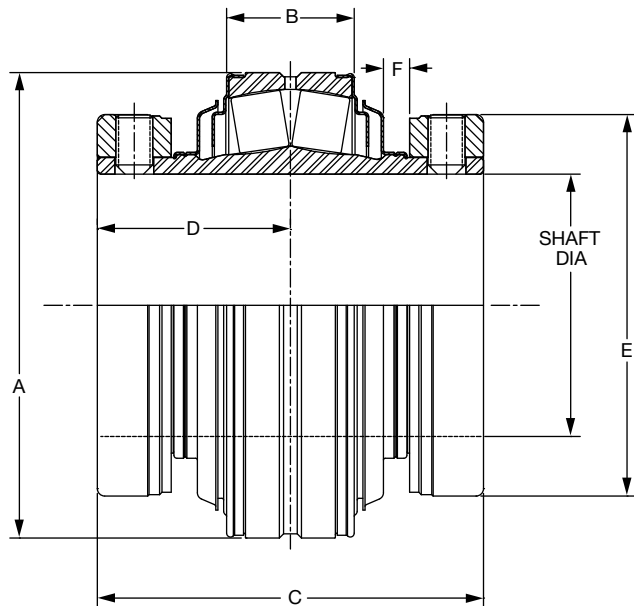


4-7/16 THRU 4-15/16" CONSTRUCTION

LABYRINTH SEAL



1-3/8 THRU 3-15/16" CONSTRUCTION



4-7/16 THRU 4-15/16" CONSTRUCTION

FEATURES/BENEFITS PAGE B12-2	SPECIFICATION PAGE B12-4	HOW TO ORDER/NOMENCLATURE PAGE B12-4	SELECTIONS PAGE B12-7
---------------------------------	-----------------------------	---	--------------------------



DIMENSIONS

S-2000 Bearing Insert

Bearing	Shaft Size	TRIDENT Seal		Labyrinth Seal	
		Part Number	Part Name	Part Number	Part Name
22208	1-3/8	070000	INS-S2-106R	070016	INS-S2-106L
	1-7/16	070001	INS-S2-107R	070017	INS-S2-107L
	1-1/2	070002	INS-S2-108R	070018	INS-S2-108L
22209	1-11/16	070003	INS-S2-111R	070019	INS-S2-111L
	1-3/4	070004	INS-S2-112R	070020	INS-S2-112L
22210	1-15/16	070005	INS-S2-115R	070021	INS-S2-115L
	2	070006	INS-S2-200R	070022	INS-S2-200L
22211	2-3/16	070007	INS-S2-203R	070023	INS-S2-203L
22213	2-7/16	070008	INS-S2-207R	070024	INS-S2-207L
22215	2-11/16	070009	INS-S2-211R	070025	INS-S2-211L
	2-15/16	070010	INS-S2-215R	070026	INS-S2-215L
	3	070011	INS-S2-300R	070027	INS-S2-300L
22218	3-7/16	070012	INS-S2-307R	070028	INS-S2-307L
22220	3-15/16	070013	INS-S2-315R	070029	INS-S2-315L
22222	4-7/16	070014	INS-S2-407R	070030	INS-S2-407L
22226	4-15/16	070015	INS-S2-415R	070031	INS-S2-415L

Shaft Size	A	B	C	D	E
1-3/8					
1-7/16	3.15	0.95	2.53	0.97	2.66
1-1/2					
1-11/16	3.35	0.95	2.66	0.95	3.10
1-3/4					
1-15/16	3.54	0.95	2.84	1.00	3.34
2					
2-3/16	3.94	1.05	2.94	1.05	3.66
2-7/16	4.72	1.28	3.20	1.21	3.97
2-11/16					
2-15/16	5.12	1.28	3.59	1.22	4.63
3					
3-7/16	6.30	1.63	4.00	1.48	5.50
3-15/16	7.10	1.88	4.48	1.65	6.00
4-7/16	7.87	2.16	6.53	3.27	6.45
4-15/16	9.10	2.59	6.91	3.45	7.45

FEATURES/BENEFITS PAGE B12-2	SPECIFICATION PAGE B12-4	HOW TO ORDER/NOMENCLATURE PAGE B12-4	SELECTIONS PAGE B12-7
---------------------------------	-----------------------------	---	--------------------------



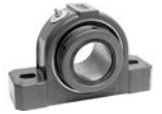
DIMENSIONS

Steel S-2000 Open End Covers



Shaft Size	Front End				Backside			
	S2000 & S2000-HD		E-S2000 & ES2000-HD		S2000 & S2000-HD		E-S2000 & ES2000-HD	
	Dodge Part No.	Description	Dodge Part No.	Description	Dodge Part No.	Description	Dodge Part No.	Description
1-3/8	070240	S2ECO-08-106	070240	S2ECO-08-106	072503	S2IPBECO-08-106	072503	S2IPBECO-08-106
1-7/16	070241	S2ECO-08-107	070241	S2ECO-08-107	072504	S2IPBECO-08-107	072504	S2IPBECO-08-107
1-1/2	070242	S2ECO-08-108	070242	S2ECO-08-108	072505	S2IPBECO-08-108	072506	ES2IPBECO-09-108
1-11/16	070243	S2ECO-09-111	070243	S2ECO-09-111	072508	S2IPBECO-09-111	072508	S2IPBECO-09-111
1-3/4	070244	S2ECO-09-112	070244	S2ECO-09-112	072509	S2IPBECO-09-112	072510	ES2IPBECO-10-112
1-15/16	070245	S2ECO-10-115	070245	S2ECO-10-115	072512	S2IPBECO-10-115	072512	S2IPBECO-10-115
2	070246	S2ECO-10-200	070246	S2ECO-10-200	072513	S2IPBECO-10-200	072513	S2IPBECO-10-200
2-3/16	070247	S2ECO-11-203	070247	S2ECO-11-203	072514	S2IPBECO-11-203	072514	S2IPBECO-11-203
2-7/16	070178	S2IPECO-13-207	070178	S2IPECO-13-207	072518	S2IPBECO-13-207	072518	S2IPBECO-13-207
2-11/16	070248	S2ECO-15-211	070248	S2ECO-15-211	072520	S2IPBECO-15-211	072520	S2IPBECO-15-211
2-15/16	070249	S2ECO-15-215	070249	S2ECO-15-215	072522	S2IPBECO-15-215	072522	S2IPBECO-15-215
3	070250	S2ECO-15-300	070250	S2ECO-15-300	072523	S2IPBECO-15-300	072523	S2IPBECO-15-300
3-7/16	070186	S2IPECO-18-307	070186	S2IPECO-18-307	072526	S2IPBECO-18-307	072526	S2IPBECO-18-307
3-15/16	070189	S2IPECO-20-315	070189	S2IPECO-20-315	072529	S2IPBECO-20-315	072529	S2IPBECO-20-315
4-7/16	070191	S2IPECO-22-407	070191	S2IPECO-22-407	072532	S2BECO-22-407	072532	S2BECO-22-407
4-15/16	070193	S2IPECO-26-415	070193	S2IPECO-26-415	072535	S2BECO-26-415	072535	S2BECO-26-415

DIMENSIONS



Steel S-2000 Closed End Covers



Shaft Size	S2000 & S2000-HD		E-S2000 & ES2000-HD	
	Dodge Part No.	Description	Dodge Part No.	Description
1-3/8 to 1-1/2	069970	S2EC08	069960	IPEC08
1-11/16 to 1-3/4	069971	S2EC09	069961	IPEC09
1-15/16 to 2	069972	S2EC10	069962	IPEC10
2-3/16	069973	S2EC11	069963	IPEC11
2-7/16	069964	S2EC13	069964	IPEC13
2-11/16 to 3	069975	S2EC15	069965	IPEC15
3-7/16	069966	S2IPEC18	069966	S2IPEC18
3-15/16	069967	S2IPEC20	069967	S2IPEC20
4-7/16	069968	S2IPEC22	069968	S2IPEC22
4-15/16	069969	S2IPEC26	069969	S2IPEC26

Bearing Reference Guide

E-Family Roller Bearings

Specialty Tapered Products

S-2000

UNISPHERE II

IMPERIAL

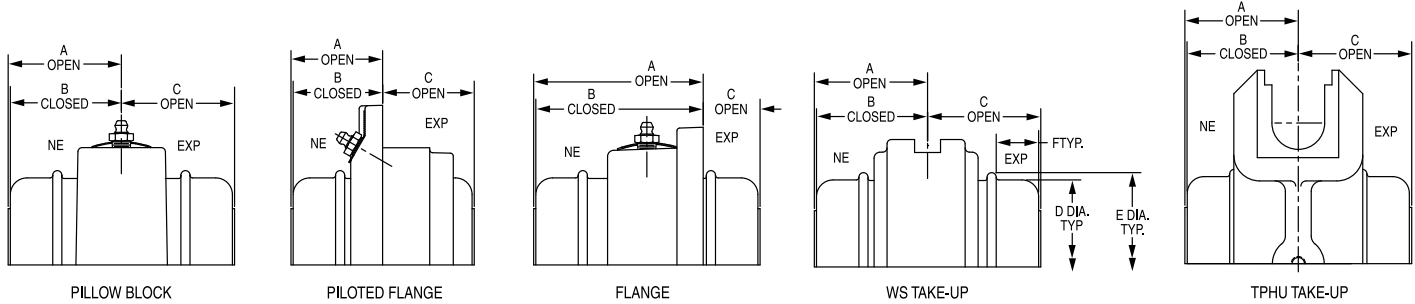
UNIFIED SAF

FEATURES/BENEFITS PAGE B12-2	SPECIFICATION PAGE B12-4	HOW TO ORDER/NOMENCLATURE PAGE B12-4	SELECTIONS PAGE B12-7
---------------------------------	-----------------------------	---	--------------------------

DIMENSIONS



S2000 End Cover



	Shaft Size	S2000 Pillow Block (2-Bolt)	S2000 Pillow Block (4-Bolt)	*E-S2000 Pillow Block (2-Bolt)	*E-S2000 Pillow Block (4-Bolt)	S2000 Piloted Flange	*E-S2000 Piloted Flange	S2000 Round Flange	S2000 Square Flange	*E-S2000 Square Flange	Wide Slot Take-Up	Top Angle Take-Up	D	E	F
A OPEN	1-3/8	2.03		2.03		1.67	1.67	3.12	3.45	3.45	2.06				
B CLOSED	1-7/16	1.97	N/A	1.97	N/A	1.61	1.61	3.06	3.39	3.39	2.00	N/A	2.94	3.19	0.75
C OPEN	1-1/2	2.11		2.11		2.46	2.46	0.99	0.99	1.20	2.10				
A OPEN		2.22		2.22		1.83	1.83	3.33	4.07	4.07	2.19				
B CLOSED	1-11/16	2.16	N/A	2.16	N/A	1.77	1.77	3.27	4.01	4.01	2.13	N/A	3.27	3.39	0.88
C OPEN		2.25		2.25		2.60	2.60	1.10	1.10	1.20	2.25				
A OPEN		2.22		2.22		1.83	1.83	3.33	4.07	4.07	2.19				
B CLOSED	1-3/4	2.16	N/A	2.16	N/A	1.77	1.77	3.27	4.01	4.01	2.13	N/A	3.27	3.39	0.88
C OPEN		2.25		2.25		2.60	2.60	1.10	1.10	1.20	2.25				
A OPEN	1-15/16	2.31	2.31	2.31		1.92	1.92	3.47	3.95	3.95	2.25	2.31			
B CLOSED	THRU	2.25	2.25	2.25	N/A	1.86	1.86	3.41	3.89	3.89	2.19	2.25	3.52	3.61	1.02
C OPEN	2	2.45	2.45	2.45		2.83	2.83	1.28	1.28	1.38	2.45	2.43			
A OPEN		2.47	2.47	2.47		2.00	2.00	3.69	4.53	4.53	2.42	2.47			
B CLOSED	2-3/16	2.41	2.41	2.41	N/A	1.94	1.94	3.63	4.47	4.47	2.36	2.40	3.77	3.95	1.03
C OPEN		2.54	2.54	2.54		3.00	3.00	1.32	1.32	1.40	2.54	2.54			
A OPEN		2.53	2.53	2.53	2.53	2.18	2.18	4.04	4.72	4.72	2.53	2.70			
B CLOSED	2-7/16	2.44	2.44	2.44	2.44	2.09	2.09	3.95	4.63	4.63	2.44	2.61	4.41	4.64	1.00
C OPEN		2.77	2.77	2.77	2.77	3.24	3.24	1.37	1.37	2.77	2.77	2.72			
A OPEN	2-11/16	2.65	2.65	2.65	2.65	2.29	2.29	4.18	5.06	5.06	2.70	2.73			
B CLOSED	2-15/16	2.56	2.56	2.56	2.56	2.20	2.20	4.09	4.97	4.97	2.61	2.64	4.92	5.06	1.22
C OPEN	3	3.06	3.06	3.06	3.06	3.54	3.54	1.66	1.66	1.69	3.06	3.06			
A OPEN		3.07	3.07	3.07	3.07	2.91	2.91		5.78	5.78	3.07	3.07			
B CLOSED	3-7/16	2.94	2.94	2.94	2.94	2.78	2.78	N/A	5.65	5.65	2.94	2.94	5.98	6.22	1.13
C OPEN		3.31	3.31	3.31	3.31	3.59	3.59		1.63	1.66	3.31	3.31			
A OPEN		3.49	3.49		3.49	3.32	3.32		7.17	7.17	3.52	3.61			
B CLOSED	3-15/16	3.36	3.36	N/A	3.36	3.19	3.19	N/A	7.04	7.04	3.39	3.48	6.67	6.91	1.38
C OPEN		3.80	3.80		3.80	4.13	4.13		1.94	1.38	3.80	3.83			
A OPEN			3.96		3.91	4.02	3.85			7.62	3.97	3.96			
B CLOSED	4-7/16	N/A	3.83	N/A	3.78	3.89	3.72	N/A	N/A	7.49	3.84	3.83	7.31	7.56	1.67
C OPEN			4.23		4.23	4.16	4.68			2.06	4.23	4.23			
A OPEN			4.49		4.46	4.24	4.08				4.49	4.49			
B CLOSED	5	N/A	4.36	N/A	4.33	4.11	3.95	N/A	N/A	N/A	4.36	4.36	8.44	8.69	1.91
C OPEN			4.69		4.69	4.91	5.37				4.69	4.68			

FEATURES/BENEFITS PAGE B12-2	SPECIFICATION PAGE B12-4	HOW TO ORDER/NOMENCLATURE PAGE B12-4	SELECTIONS PAGE B12-7
---------------------------------	-----------------------------	---	--------------------------

CONTENTS



UNISPHERE II

Features / Benefits	B13-2
Specifications	B13-3
Nomenclature	B13-3
Selection	B13-4
Dimensions	
Pillow Block - Inch	B13-12
Flange Bearing - Inch	B13-14
Bearing Insert With Seal - Inch	B13-16
Plummer Block Bearing - Metric	B13-18
Flange Bearing - Metric	B13-20
Bearing Insert With Seal - Metric	B13-21
Part Number Index	INDEX-1
Key Word Index	KEYWORD-1

Bearing Reference Guide

E-Family Roller Bearings

Specialty Tapered Products

S-2000

UNISPHERE II

IMPERIAL

UNIFIED SAF



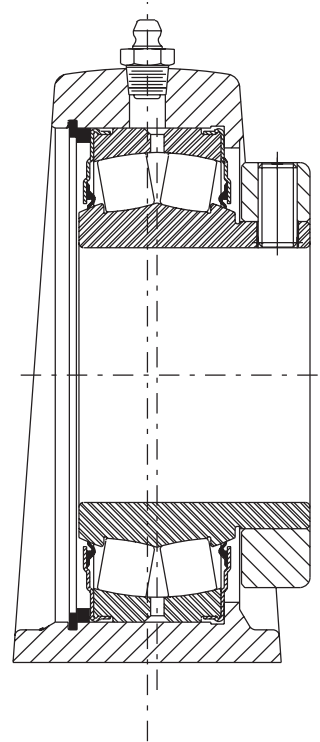
FEATURES/BENEFITS

UNISPHERE II



UNISPHERE II

- High capacity double row spherical bearings
- 2-bolt pillow blocks and 4-bolt flange bearings 1-7/16" to 4", 40mm to 90mm.
- Same rolling elements and installation ready features as the S-2000 bearing.
- Ductile iron pillow block housing with 65,000 PSI tensile strength is 92% the strength of steel.
- DODGE "R" Seal provides contacting lip protection, crimped to the outer race; maintains sealing effectiveness at maximum misalignment.
- Springlok™ collar mount with 65 setscrew spacing for optimum clamping force.



Dimensionally comparable with ball bearings:

- Length through the bore
- Base-to-center height
- Footprint

Approximately five times the rating of a ball bearing

NOTE: Instruction manuals for Dodge bearings are available on www.dodge-pt.com



SPECIFICATION

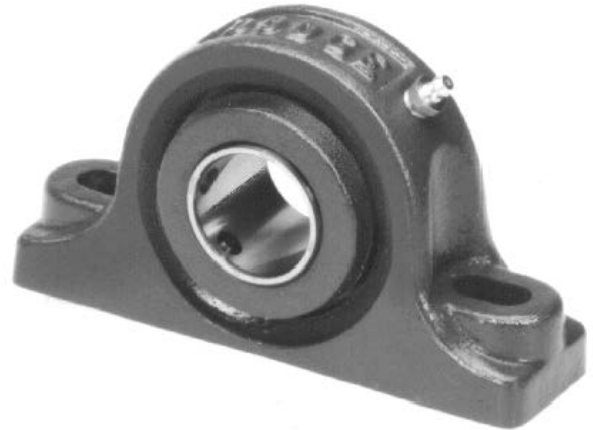
UNISPHERE II INCH

DODGE Unitized UNISPHERE II are general purpose, high-capacity, double-row spherical roller bearings. All are mounted in single piece precision machined housings. Bearings are mounted to shafts by means of set screw collars, with 65 degree set screw spacing for maximum clamping force.

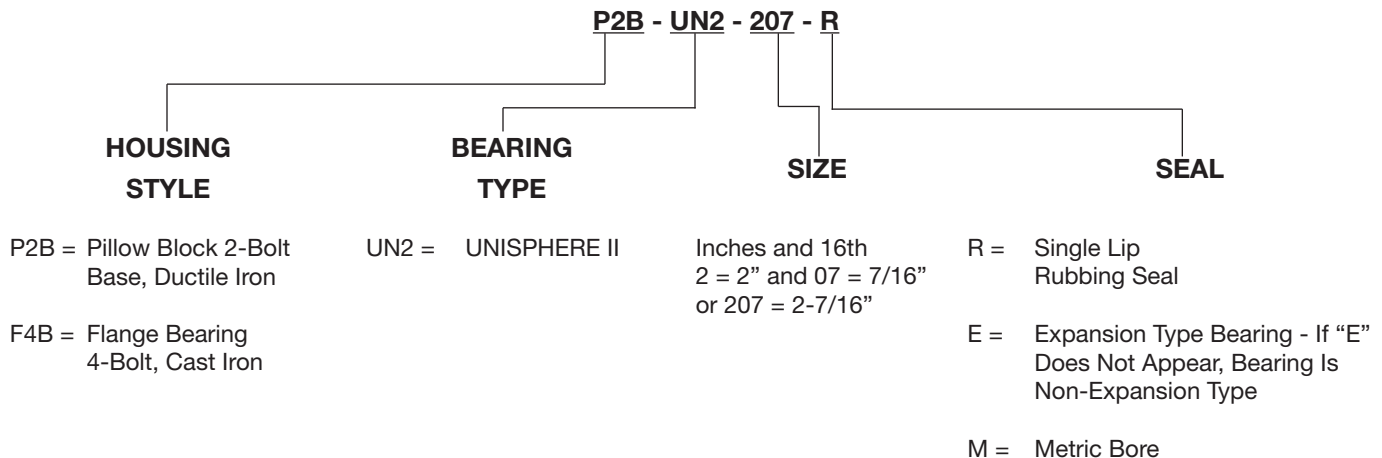
ASTM A48 Class 30 cast iron is the standard material used in S-2000 housings and UNISPHERE II flanged housings. The standard material used in UNISPHERE II pillow blocks is ductile

iron (ASTM A536 Grade 65-45-12) with 65,000 p.s.i. tensile strength. Housing designs are available for survival in extreme harsh environments, through the use of special finishes and stainless hardware.

Housings are available in a variety of standard configurations, including pillow blocks and flanges. Rubbing lip seals are standard on all units.



NOMENCLATURE



FEATURES/BENEFITS PAGE B13-2	NOMENCLATURE PAGE B13-3	SELECTION PAGE B13-4	DIMENSIONS PAGE B13-12
---------------------------------	----------------------------	-------------------------	---------------------------



SELECTION

UNISPHERE II SPHERICAL ROLLER BEARINGS

DODGE Unitized Spherical Roller Bearings have the capacity to carry heavy radial loads and combined radial and thrust loads. The maximum recommended load which can be applied is limited by various components in the system such as bearing, housing, shaft, shaft attachment, speed and life requirements as listed in this catalog. DODGE spherical roller bearings have been applied successfully even when these limits have been exceeded under controlled operating conditions. Contact DODGE Application Engineering (864-284-5700) for applications which exceed the recommendations of this catalog.

L₁₀ Hours Life - The life which may be expected from at least 90% of a given group of bearings operating under identical conditions.

$$L_{10} \text{ Life, Hours} = \left(\frac{C}{P}\right)^{10/3} \times \left(\frac{16667}{\text{RPM}}\right)$$

Where: C = Dynamic Capacity (Table 1 and Table 2 on pages B13-6 and B13-7) lbs.

P = Equivalent Radial Load, lbs.

GENERAL

Heavy Service - For heavy shock loads, frequent shock loads, or severe vibrations, add up to 50% (according to severity of conditions) to the Equivalent Radial Load to obtain a Modified Equivalent Radial Load. Consult DODGE Application Engineering for additional selection assistance.

Thrust load values shown in the table below are recommended as a guide for general applications that will give adequate L₁₀ life. Spherical bearings require a radial load at least equal to the thrust load for proper operation. If the thrust load exceeds this limit, consult Application Engineering. Where substantial radial load is also present, it is advisable to calculate actual L₁₀ life to assure that it meets the requirements. The effectiveness of the shaft attachment to carry thrust load depends on proper tightening of the set screws, shaft tolerance and shaft deflections. Therefore, it is advisable to use auxiliary thrust carrying devices such as shaft shoulder, snap ring or a thrust collar to locate the bearing under thrust loads heavier than shown below, or where extreme reliability is desired.

RPM	20-200	201 - 2000	Over 2000
RECOMMENDED THRUST LOAD	C/20	C/40	C/60

The shaft tolerances recommended below are adequate for normal radial and radial/thrust load applications. The radial load is limited by the attachment to the shaft (see Table 1 on page B13-6). Where the applied radial load (FR) exceeds this limit (maximum allowable slip fit radial load), a snug-to-light press fit of the shaft is required. Since the allowable load, especially at a low speed, is very large, the shaft should be checked to assure adequate shaft strength.

The magnitude and direction of both the thrust and radial load must be taken into account when selecting a housing. **When pillow blocks are utilized, heavy loads should be directed through the base. Where uplift loads are involved, see Table 7 on page B13-11 for maximum values.** Where a load pulls the housing away from the mounting base, both the hold-down bolts and housing must be of adequate strength. Auxiliary load carrying devices such as shear bars are advisable for side or end loading of pillow blocks and radial loads for flange units.

Shaft Tolerances	
Shaft Size	S-2000
UP TO 1-1/2"	+0.0000 -0.0005"
1-9/16 TO 4"	+0.000 -0.001"
4-7/16 TO 5"	+0.000 -0.0015"

BEARING SUPPORTING RADIAL LOADS ONLY

1. Define L₁₀ Life Hours desired.
2. Establish bearing radial load, F_R
(F_R = P for Pure Radial Load Conditions). The DODGE program BEST™* can be used to find application loads.
3. Establish RPM.

Using the easy selection Table 3 on page B13-8, find, under the RPM column, the equivalent radial load that equals or is slightly higher than the application radial load for the desired life. The shaft size on the far left will be the minimum shaft size that you can use for your application.

If the desired life is different than the values shown on the chart, use alternate Method A shown below.

- Example:
1. L₁₀ Life = 30,000 Hours
 2. Radial load = 4000 lbs.
 3. RPM = 1,020

At the intersection of the 1,020 RPM column and the 30,000 hours L₁₀ life row, the equivalent radial load of 4092 lbs. exceeds the 4000 lbs, radial load for shaft size 2-7/16". A bearing with bore 2-7/16", or larger, may be used for this application.

★ The DODGE Bearing Evaluation and Selection Technique (BEST) is a menu driven computer program that calculates bearing loads, fatigue life and operating temperature for a two bearing shaft system based on user supplied input parameters. This interactive web based program is available at www.dodge-pt.com. Use PT Wizard on line under the tools drop down box.

FEATURES/BENEFITS PAGE B13-2	SPECIFICATION PAGE B13-3	NOMENCLATURE PAGE B13-3	DIMENSIONS PAGE B13-12
---------------------------------	-----------------------------	----------------------------	---------------------------



SELECTION

UNISPHERE II

ALTERNATE METHOD A - SELECTING A BEARING FOR AN L₁₀ LIFE VALUE NOT SHOWN IN THE EASY SELECTION CHART.

The L₁₀ life equation can be rearranged so that the bearing dynamic capacity C is identified in terms of L₁₀, RPM and P

$$C = \left(\frac{L_{10} \times \text{RPM}}{16667} \right)^{0.3} \times P$$

(P = F_R for Pure Radial Load Conditions)

Since the L₁₀, RPM and P are known, solve for C. Select from the dynamic capacity column on Table 1 on page B13-6 the C value equal to or greater than the C value just calculated. The bore size on the far left represents the proper bore size selection. Check that the application RPM does not exceed the MAX. RPM on Table 1 and Table 2 on pages B13-6 and B13-7. Also check that the radial load does not exceed the Maximum Allowable Slip Fit Radial Load shown on Table 1 and Table 2. If it does, a line-to-line to light press fit of shaft is required. When selecting an L₁₀ life of less than 30,000 hours, particular attention must be paid to shaft deflection and proper lubricant selection.

SELECTING BEARINGS SUPPORTING COMBINATION RADIAL AND THRUST LOADS

When a bearing supports both a radial load and a thrust load, the loading on the two rows is shared unequally depending on the ratio of thrust to radial load. The use of the X (radial factor) and Y (thrust factor) from Table 1 and Table 2 converts the applied thrust load and radial loads to an equivalent radial load having the same effect on the life of the bearing as a radial load of this magnitude.

The equivalent radial load $P = XF_R + YF_A$

Where:

- P = Equivalent radial load, lbs.
- F_R = Radial load, lbs. (see Table 1 for allowable slip fit maximum load)
- F_A = Thrust (axial) load, lbs.
- e = Thrust load to radial load factor (Table 1 and Table 2)★
- X = Radial load factor (Table 1 and Table 2)★
- Y = Thrust load factor (Table 1 and Table 2)★

To find X and Y, calculate F_A/F_R and compare to e for the selected bore size. Determine X and Y from Table 1 and Table 2 on pages B13-6 and B13-7 depending on whether F_A/F_R is equal to or less than e, or F_A/F_R is greater than e. Substitute all known values into the equivalent radial load equation. P (equivalent radial load) can be used in the life formula to determine L₁₀, or it

can be compared to the allowable equivalent radial load ratings for the speed and hours life desired in the easy selection Table 3 on page B13-8 or Table 4 on page B13-9.

SELECTING BEARINGS SUPPORTING ONLY THRUST LOADS

Spherical Roller Bearings generally are not recommended for pure thrust load applications. However, they will perform satisfactorily under very light pure thrust loads. Consult DODGE Application Engineering (864-284-5700).

SELECTING LUBRICATION

DODGE UNISPHERE II spherical roller bearings are lubricated at the factory with Mobilgrease XHP222 grease. Mobilgrease XHP222 is a superior industrial grease using a lithium complex thickener and highly refined base oil. This grease will adequately handle low and medium speeds with low and medium loads at normal temperatures as defined on Table 6 on page B13-10. For very low and high speeds, for heavy loads and for low and high temperatures, special greases must be used. Contact DODGE Application Engineering (864-284-5700). DODGE engineers will recommend bearings and lubricants for the above unusual conditions. DODGE also has the expertise to custom design and build special bearings for your needs. The only maintenance requirement for DODGE Unitized roller bearings is periodic relubrication at regular intervals as outlined in the appropriate instruction manuals.

MISALIGNMENT CONSIDERATIONS

In nearly all applications, good design practice requires two bearings supporting the shaft. In cases where three or more bearings are installed, unless precautions are taken to line the bearings up both vertically and horizontally, it is possible to induce heavy loads. In the case of two bearings, alignment is not as critical, especially with DODGE Unitized Spherical Roller Bearings. UNISPHERE II bearings are designed to allow a maximum of ±1° of static and dynamic misalignment. However, for optimum seal performance, misalignment should be kept under ±0.5°. To ensure good alignment, mounting surfaces must be checked for flatness and must lie in the same plane. When tightening base bolts, each bolt should be alternately tightened in incremental torque values until full torque is achieved to prevent the angular shifting of the pillow block that occurs when one bolt is tightened to its full torque. Shimming may be required to minimize misalignment.

FEATURES/BENEFITS PAGE B13-2	SPECIFICATION PAGE B13-3	NOMENCLATURE PAGE B13-3	DIMENSIONS PAGE B13-12
---------------------------------	-----------------------------	----------------------------	---------------------------



SELECTION

UNISPHERE II

Table 1: UNISPHERE II Spherical Roller Bearings Radial And Thrust Factors

Shaft Size Inch	Basic Bearing Description	e	$F_A/F_R \leq e$		$F_A/F_R \geq e$		Max. Allow. Slip Fit Radial Load F_R^* Lbs.	Dynamic Capacity (C) Lbs.	Static Capacity C_0	Maximum RPM
			X	Y	X	Y				
1-1/8 1-3/16 1-1/4 1-3/8 1-7/16 1-1/2	22208	0.28	1	2.4	0.67	3.6	3,750	20,800	21,000	3,000
1-5/8 1-11/16 1-3/4	22209	0.26	1	2.6	0.67	3.9	3,750	20,800	22,000	2,800
1-7/8 1-15/16 2	22210	0.24	1	2.8	0.67	4.2	4,000	22,000	24,000	2,625
2-3/16 2-1/4	22211	0.23	1	2.9	0.67	4.3	4,860	27,000	29,000	2,325
2-3/8 2-7/16 2-1/2	22213	0.24	1	2.8	0.67	4.2	6,840	39,000	47,500	1,900
2-11/16 2-3/4 2-15/16 3	22215	0.22	1	3.1	0.67	4.6	7,500	41,500	53,000	1,700
3-3/16 3-1/4 3-7/16 3-1/2	22218	0.23	1	2.9	0.67	4.3	11,500	65,500	81,500	1,400
3-11/16 3-15/16 4	22220	0.24	1	2.8	0.67	4.2	14,400	83,000	104,000	1,250

* If load exceeds "Max. allowable slip fit load," line to line to light press fit of shaft required. Maximum slip fit radial loads apply if recommended shaft sizes are used.

SELECTION



UNISPHERE II

Table 2: UNISPHERE II Metric Spherical Roller Bearing

Shaft MM	Basic Bearing Description	e	$F_A/F_R \leq e$		$F_A/F_R \geq e$		Max. Allow. Slip Fit Radial Load F_R^* kN	Dynamic Capacity (C) kN	Maximum RPM
			X	Y	X	Y			
30 35	22208	0.28	1	2.4	0.67	3.6	17	93	3000
40 45	22209	0.26	1	2.6	0.67	3.9	17	93	2800
50	22210	0.24	1	2.8	0.67	4.2	18	98	2625
55	22211	0.23	1	2.9	0.67	4.3	22	120	2325
60 65	22213	0.24	1	2.8	0.67	4.2	30	169	1900
70 75	22215	0.22	1	3.1	0.67	4.6	33	185	1700
80 85 90	22218	0.23	1	2.9	0.67	4.3	51	285	1400

* If load exceeds "Max. allowable slip fit load," line to line to light press fit of shaft required. Maximum slip fit radial loads apply if recommended shaft sizes are used.

Bearing Reference
Guide

E-Family Roller
Bearings

Specialty Tapered
Products

S-2000

UNISPHERE II

IMPERIAL

UNIFIED SAF

FEATURES/BENEFITS PAGE B13-2	SPECIFICATION PAGE B13-3	NOMENCLATURE PAGE B13-3	DIMENSIONS PAGE B13-12
---------------------------------	-----------------------------	----------------------------	---------------------------



SELECTION

UNISPHERE II

Table 3: Easy Selection Table for UNISPHERE Double Row Spherical Roller Bearings

Shaft Size Inches	L ₁₀ Life Hours	Allowable Equivalent Radial Load Rating (lbs.) at Various Revolutions per Minute														
		50	100	150	250	500	870	1,020	1,250	1,400	1,700	1,900	2,325	2,625	2,800	3000
1-3/8 to 1-1/2	10,000	7,498	6,090	5,393	4,626	3,758	3,182	3,034	2,855	2,759	2,603	2,518	2,370	2,285	2,241	2,195
	30,000	5,393	4,380	3,878	3,327	2,703	2,289	2,182	2,053	1,984	1,872	1,811	1,704	1,643	1,612	1,579
	40,000	4,947	4,018	3,558	3,052	2,479	2,100	2,002	1,883	1,820	1,717	1,661	1,563	1,508	1,479	1,448
	60,000	4,380	3,558	3,150	2,703	2,195	1,859	1,773	1,668	1,612	1,521	1,471	1,384	1,335	1,309	1,282
	100,000	3,758	3,052	2,703	2,319	1,883	1,595	1,521	1,431	1,383	1,305	1,262	1,188	1,145	1,123	1,100
1-11/16 to 1-3/4	10,000	7,498	6,090	5,393	4,626	3,758	3,182	3,034	2,855	2,759	2,603	2,518	2,370	2,285	2,241	2,195
	30,000	5,393	4,380	3,878	3,327	2,703	2,289	2,182	2,053	1,984	1,872	1,811	1,704	1,643	1,612	1,579
	40,000	4,947	4,018	3,558	3,052	2,479	2,100	2,002	1,883	1,820	1,717	1,661	1,563	1,508	1,479	1,448
	60,000	4,380	3,558	3,150	2,703	2,195	1,859	1,773	1,668	1,612	1,521	1,471	1,384	1,335	1,309	1,282
	100,000	3,758	3,052	2,703	2,319	1,883	1,595	1,521	1,431	1,383	1,305	1,262	1,188	1,145	1,123	1,100
1-15/16 to 2	10,000	7,930	6,441	5,704	4,893	3,975	3,366	3,209	3,019	2,918	2,753	2,663	2,506	2,417		
	30,000	5,704	4,633	4,102	3,519	2,859	2,421	2,308	2,172	2,099	1,980	1,915	1,803	1,738		
	40,000	5,232	4,250	3,763	3,228	2,622	2,221	2,117	1,992	1,925	1,817	1,757	1,654	1,595		
	60,000	4,633	3,763	3,332	2,859	2,322	1,966	1,875	1,764	1,705	1,608	1,556	1,464	1,412		
	100,000	3,975	3,228	2,859	2,452	1,992	1,687	1,608	1,513	1,463	1,380	1,335	1,256	1,211		
2-3/16	10,000	9,733	7,905	7,000	6,005	4,878	4,131	3,939	3,706	3,582	3,379	3,268	3,076			
	30,000	7,000	5,686	5,035	4,319	3,508	2,971	2,833	2,665	2,576	2,430	2,350	2,212			
	40,000	6,421	5,216	4,618	3,962	3,218	2,726	2,599	2,445	2,363	2,229	2,156	2,029			
	60,000	5,686	4,618	4,089	3,508	2,850	2,413	2,301	2,165	2,092	1,974	1,909	1,797			
	100,000	4,878	3,962	3,508	3,010	2,445	2,070	1,974	1,857	1,795	1,694	1,638	1,542			
2-7/16 to 2-1/2	10,000	14,058	11,419	10,111	8,674	7,046	5,967	5,689	5,352	5,173	4,881	4,721				
	30,000	10,111	8,213	7,272	6,239	5,068	4,292	4,092	3,850	3,721	3,510	3,395				
	40,000	9,275	7,534	6,671	5,723	4,649	3,937	3,753	3,531	3,413	3,220	3,114				
	60,000	8,213	6,671	5,907	5,068	4,116	3,486	3,324	3,127	3,022	2,851	2,758				
	100,000	7,046	5,723	5,068	4,348	3,531	2,991	2,851	2,683	2,593	2,446	2,366				
2-11/16 to 3	10,000	14,959	12,151	10,759	9,230	7,497	6,350	6,054	5,696	5,505	5,194					
	30,000	10,759	8,739	7,738	6,639	5,392	4,567	4,354	4,096	3,959	3,735					
	40,000	9,870	8,017	7,098	6,090	4,946	4,189	3,994	3,758	3,632	3,427					
	60,000	8,739	7,098	6,285	5,392	4,380	3,709	3,537	3,327	3,216	3,034					
	100,000	7,497	6,090	5,392	4,626	3,758	3,182	3,034	2,855	2,759	2,603					
3-7/16 to 3-1/2	10,000	23,611	19,178	16,981	14,569	11,833	10,022	9,555	8,989	8,689						
	30,000	16,981	13,793	12,213	10,478	8,511	7,208	6,872	6,465	6,249						
	40,000	15,577	12,653	11,203	9,612	7,807	6,612	6,304	5,931	5,732						
	60,000	13,793	11,203	9,920	8,511	6,913	5,855	5,582	5,251	5,076						
	100,000	11,833	9,612	8,511	7,302	5,931	5,023	4,789	4,505	4,355						
3-15/16 to 4	10,000	29,919	24,302	21,518	18,461	14,995	12,699	12,108	11,391							
	30,000	21,518	17,478	15,476	13,278	10,785	9,134	8,708	8,193							
	40,000	19,739	16,033	14,197	12,180	9,893	8,378	7,988	7,515							
	60,000	17,478	14,197	12,571	10,785	8,760	7,419	7,073	6,655							
	100,000	14,995	12,180	10,785	9,252	7,515	6,365	6,068	5,709							

In the light shaded area, a line-to-line to light press fit on the shaft is required.

FEATURES/BENEFITS PAGE B13-2	SPECIFICATION PAGE B13-3	NOMENCLATURE PAGE B13-3	DIMENSIONS PAGE B13-12
---------------------------------	-----------------------------	----------------------------	---------------------------



UNISPHERE II

Table 4: Easy Selection Table for Metric UNISPHERE Double Row Spherical Roller Bearings

Shaft Size mm	L ₁₀ Life Hours	Allowable Equivalent Radial Load Rating (Newtons) at Various Revolutions per Minute														
		50	100	150	250	500	870	1,020	1,250	1,400	1,700	1,900	2,325	2,625	2,800	3000
30 35	10,000	33,365	27,101	23,997	20,587	16,722	14,162	13,502	12,703	12,278	11,584	11,204	10,545	10,168	9,973	9,769
	30,000	23,997	19,492	17,259	14,807	12,027	10,186	9,711	9,136	8,831	8,331	8,058	7,584	7,313	7,173	7,026
	40,000	22,013	17,880	15,832	13,583	11,032	9,343	8,908	8,381	8,101	7,642	7,392	6,957	6,709	6,580	6,445
	60,000	19,492	15,832	14,019	12,027	9,769	8,273	7,888	7,421	7,173	6,767	6,545	6,160	5,940	5,826	5,707
	100,000	16,722	13,583	12,027	10,318	8,381	7,098	6,767	6,367	6,154	5,806	5,615	5,285	5,096	4,998	4,896
40 45	10,000	33,350	27,089	23,986	20,578	16,715	14,156	13,496	12,697	12,273	11,578	11,198	10,540	10,164	9,969	
	30,000	23,986	19,483	17,251	14,800	12,021	10,181	9,707	9,132	8,827	8,327	8,054	7,581	7,310	7,170	
	40,000	22,003	17,872	15,825	13,576	11,027	9,339	8,904	8,377	8,097	7,639	7,388	6,954	6,705	6,577	
	60,000	19,483	15,825	14,012	12,021	9,764	8,270	7,884	7,418	7,170	6,764	6,542	6,158	5,937	5,824	
	100,000	16,715	13,576	12,021	10,313	8,377	7,095	6,764	6,364	6,151	5,803	5,613	5,283	5,094	4,996	
50	10,000	35,290	28,664	25,381	21,775	17,687	14,979	14,281	13,436	12,987	12,252	11,850	11,154	10,755		
	30,000	25,381	20,616	18,255	15,661	12,721	10,773	10,271	9,663	9,340	8,812	8,523	8,022	7,735		
	40,000	23,283	18,911	16,745	14,366	11,669	9,883	9,422	8,864	8,568	8,083	7,818	7,359	7,096		
	60,000	20,616	16,745	14,828	12,721	10,333	8,751	8,343	7,849	7,587	7,158	6,923	6,516	6,283		
	100,000	17,687	14,366	12,721	10,913	8,864	7,507	7,158	6,734	6,509	6,141	5,939	5,590	5,390		
55	10,000	43,291	35,163	31,136	26,712	21,697	18,375	17,519	16,482	15,931	15,030	14,536	13,682			
	30,000	31,136	25,290	22,394	19,212	15,605	13,216	12,600	11,854	11,458	10,810	10,455	9,841			
	40,000	28,561	23,199	20,542	17,623	14,315	12,123	11,558	10,874	10,511	9,916	9,591	9,027			
	60,000	25,290	20,542	18,189	15,605	12,675	10,735	10,234	9,629	9,307	8,780	8,492	7,993			
	100,000	21,697	17,623	15,605	13,388	10,874	9,209	8,780	8,261	7,984	7,533	7,286	6,857			
60 65	10,000	62,531	50,791	44,974	38,584	31,340	26,542	25,305	23,807	23,012	21,710	20,997				
	30,000	44,974	36,530	32,346	27,750	22,540	19,089	18,200	17,123	16,551	15,614	15,102				
	40,000	41,255	33,510	29,672	25,456	20,677	17,511	16,695	15,707	15,182	14,323	13,853				
	60,000	36,530	29,672	26,273	22,540	18,308	15,505	14,783	13,908	13,443	12,683	12,266				
	100,000	31,340	25,456	22,540	19,338	15,707	13,302	12,683	11,932	11,533	10,881	10,524				
70 75	10,000	66,539	54,047	47,857	41,057	33,349	28,243	26,927	25,334	24,487	23,101					
	30,000	47,857	38,872	34,420	29,529	23,985	20,313	19,367	18,221	17,611	16,615					
	40,000	43,900	35,658	31,574	27,088	22,002	18,634	17,765	16,714	16,155	15,241					
	60,000	38,872	31,574	27,957	23,985	19,482	16,499	15,731	14,800	14,305	13,496					
	100,000	33,349	27,088	23,985	20,577	16,714	14,155	13,496	12,697	12,272	11,578					
80 85 90	10,000	105,020	85,303	75,533	64,801	52,635	44,577	42,499	39,984	38,648						
	30,000	75,533	61,352	54,325	46,606	37,856	32,061	30,567	28,758	27,796						
	40,000	69,287	56,279	49,833	42,753	34,726	29,410	28,039	26,380	25,498						
	60,000	61,352	49,833	44,126	37,856	30,749	26,041	24,828	23,358	22,578						
	100,000	52,635	42,753	37,856	32,477	26,380	22,341	21,300	20,040	19,370						

In the light shaded area, a line-to-line to light press fit on the shaft is required.



SELECTION

UNISPHERE II

Table 5: UNISPHERE II Maximum Axial Expansion - Inch And Metric

Bore Size Inches	Maximum Expansion Inches	Bore Size mm	Maximum Expansion mm
1-7/16 to 1-1/2	5/32	-	-
1-11/16 to 1-3/4	5/32	40, 45	3.9
1-15/16 to 2	5/32	50, 55	3.9
2-3/16	5/32	60, 65	4.7
2-7/16 to 2-1/2	3/16	70, 75	4.7
2-11/16 to 3	3/16	80, 85, 90	4.7
3-7/16 to 3-1/2	3/16		
3-15/16 to 4	7/32		

Table 6: Definition Of Operating Conditions For Unitized Spherical Roller Bearings

LOW SPEED	UP TO 20% OF MAX. RPM (TABLE 1)
MEDIUM SPEED	OVER 20% TO 80% OF MAX. RPM
HIGH SPEED	OVER 80% OF MAX. RPM
LIGHT LOAD	UP TO 8% OF C (TABLE 1)
NORMAL LOAD	OVER 8% TO 18% OF C
HEAVY LOAD	OVER 18% OF C
	C = DYNAMIC CAPACITY
LOW TEMPERATURE	20°F TO -100°F
MEDIUM TEMPERATURE	OVER 20°F TO 200°F
HIGH TEMPERATURE	OVER 200°F TO 400°F



UNISPHERE II

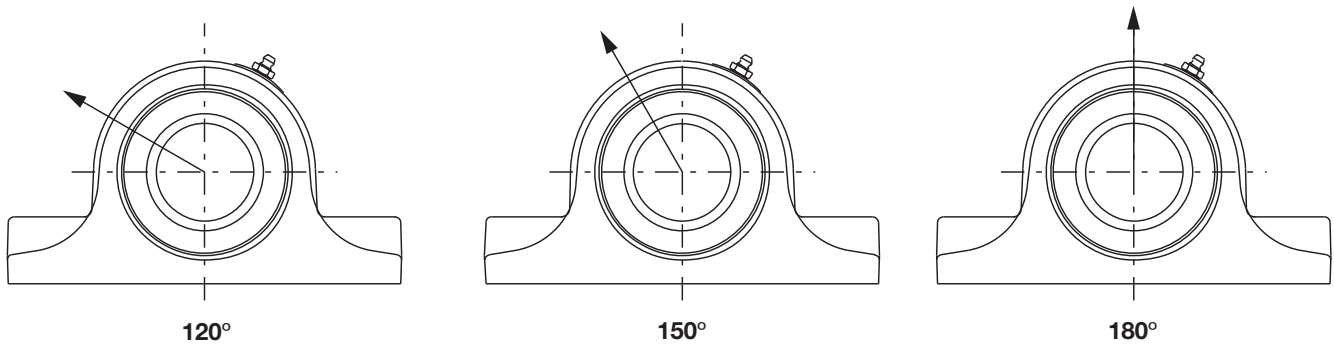


Table 7: UNISPHERE II Housing Ratings, Ductile*

Bore Size	Pillow Block Designation	Max. Recommended Housing Cap Loads		
		P120 lb	P150 lb	P180 lb
1-1/8 to 1-1/2	UN2107	5500	6750	8000
1-5/8 to 1-3/4	UN2111	6800	8600	10000
1-7/8 to 2	UN2115	8000	9900	11700
2-3/16 to 2-1/4	UN2203	10200	12500	14800
2-3/8 to 2-1/2	UN2207	10200	12400	14900
2-11/16 to 3	UN2215	12900	15900	18900
3-3/16 to 3-1/2	UN2307	11900	14600	17400
3-11/16 to 4	UN2315	16900	20800	24600

* When utilizing heavy cap loads on pillow block housings, the installation must adhere to the following procedures:

1. The pillow block base bolts must be on **high strength (Grade 8) bolts and properly tightened** to mounting structure
2. Stop bars (shear strips) should be used against the plummer block where side loads are encountered.
3. In all cases where loads are heavy, the L_{10} life of the bearing should be checked for proper selection and life requirements

Table 8: Metric UNISPHERE II Housing Ratings, Ductile*

Plummer Block Designation	Max. Recommended Housing Cap Loads		
	P120 kN	P150 kN	P180 kN
UN2040M	31	37	44
UN2045M	31	37	44
UN2050M	35	44	52
UN2055M	45	55	65
UN2060M	45	55	66
UN2065M	45	55	66
UN2070M	57	70	84
UN2075M	57	70	84
UN2080M	53	65	77
UN2085M	53	65	77
UN2090M	53	65	77

* When utilizing heavy cap loads on plummer block housings, the installation must adhere to the following procedures:

1. The plummer block base bolts must be of **high strength (Grade 10.9) and properly tightened** to mounting structure.
2. Stop bars (shear strips) should be used against the plummer block where side loads are encountered.
3. In all cases where loads are heavy, the L_{10} life of the bearing should be checked for proper selection and life requirements.

NOTE: To convert kN to pounds-force, multiply kN by a factor of 225.

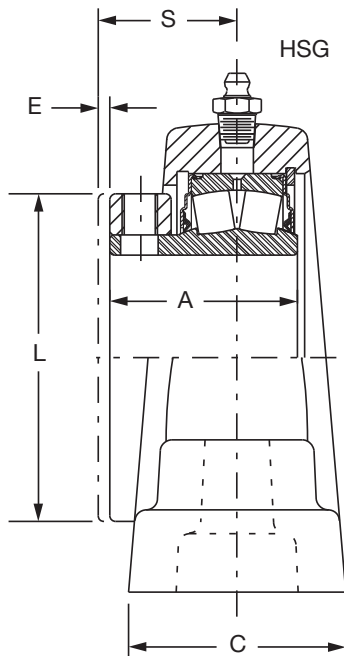
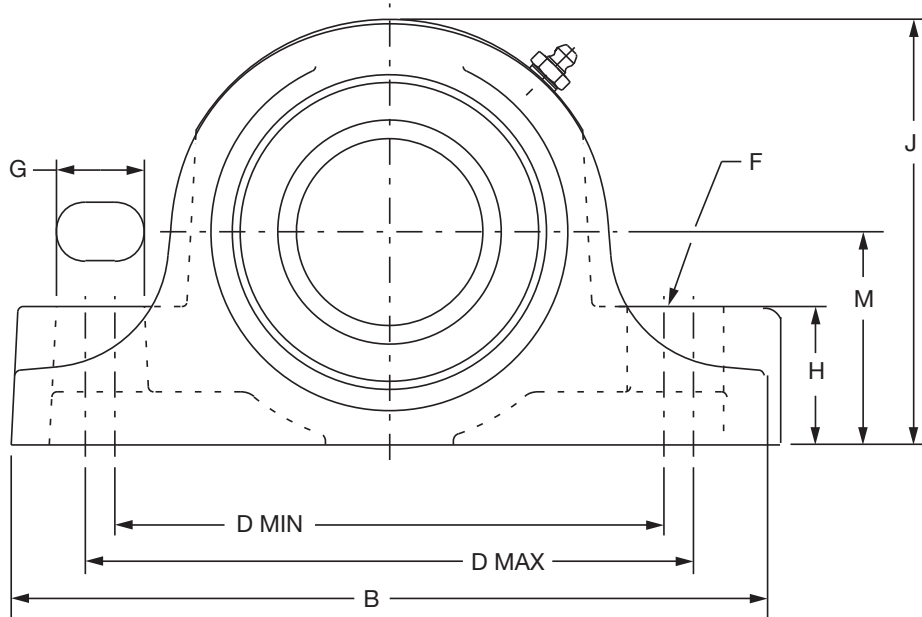
FEATURES/BENEFITS PAGE B13-2	SPECIFICATION PAGE B13-3	NOMENCLATURE PAGE B13-3	DIMENSIONS PAGE B13-12
---------------------------------	-----------------------------	----------------------------	---------------------------



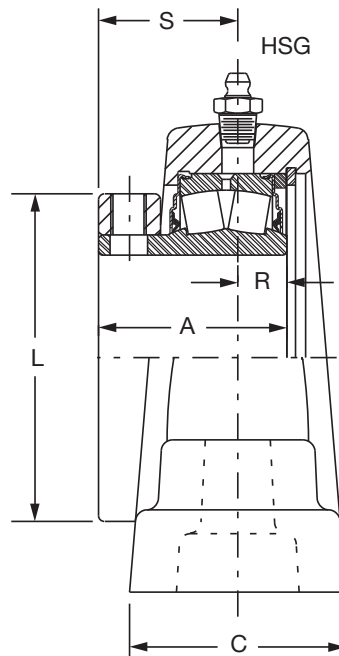
DIMENSIONS

UNISPHERE II Pillow Block - Inch

NOTE: All sizes use a 1/8-27 NPT hydraulic grease fitting



EXPANSION



NON-EXPANSION



DIMENSIONS

UNISPHERE II Pillow Block - Inch

Bearing	Shaft Size Inch Δ	Non-Expansion*		Expansion		Approx. Wt. Lbs.
		Part No.	Part Name	Part No.	Part Name	
22208	1-7/16	048000	P2B-UN2-107	048017	P2B-UN2-107E	5.5
	1-1/2	048001	P2B-UN2-108	048018	P2B-UN2-108E	5.4
22209	1-11/16	048002	P2B-UN2-111	048019	P2B-UN2-111E	6.9
	1-3/4	048003	P2B-UN2-112	048020	P2B-UN2-112E	6.8
22210	1-15/16	048004	P2B-UN2-115	048021	P2B-UN2-115E	8.0
	2	048005	P2B-UN2-200	048022	P2B-UN2-200E	7.6
22211	2-3/16	048006	P2B-UN2-203	048023	P2B-UN2-203E	9.8
22213	2-7/16	048007	P2B-UN2-207	048024	P2B-UN2-207E	13.6
	2-1/2	048008	P2B-UN2-208	048025	P2B-UN2-208E	13.4
22215	2-11/16	048009	P2B-UN2-211	048026	P2B-UN2-211E	19.3
	2-3/4	048010 †	P2B-UN2-212	048027 †	P2B-UN2-212E	19.0
	2-15/16	048011	P2B-UN2-215	048028	P2B-UN2-215E	18.2
	3	048012	P2B-UN2-300	048029	P2B-UN2-300E	18.1
22218	3-7/16	048013	P2B-UN2-307	048030	P2B-UN2-307E	28.4
	3-1/2	048014 †	P2B-UN2-308	048031 †	P2B-UN2-308E	27.0
22220	3-15/16	048015	P2B-UN2-315	048032	P2B-UN2-315E	37.4
	4	048016 †	P2B-UN2-400	048033 †	P2B-UN2-400E	37.0

† Assembled to order. Consult DODGE for delivery.

Δ Consult DODGE for sizes not listed.

* Furnished unless otherwise specified.

UNISPHERE II - Pillow Block - Dimensions ●

Shaft Size Inch	A	B	C	D		E Total Exp.	F Bolt Dia.	G	H	J	L	M	R	S
				Min.	Max.									
1-7/16 1-1/2	1.69	6.88	1.95	4.69	5.50	5/32	1/2	0.97	0.97	3.88	2.75	1.88	0.50	1.19
1-11/16 1-3/4	1.91	7.38	2.06	5.19	5.88	5/32	1/2	0.91	1.31	4.25	3.00	2.13	0.47	1.44
1-15/16 2	1.91	8.38	2.06	5.94	6.69	5/32	5/8	1.06	1.38	4.56	3.25	2.25	0.47	1.44
2-3/16	2.00	8.88	2.31	6.44	7.13	5/32	5/8	1.03	1.63	5.00	3.50	2.50	0.52	1.48
2-7/16 2-1/2	2.20	9.25	2.56	6.81	7.44	3/16	5/8	1.00	1.75	5.69	4.06	2.75	0.66	1.55
2-11/16 2-3/4 2-15/16 3	2.45	10.44	2.56	7.81	8.44	3/16	3/4	1.13	2.25	6.44	4.72	3.25	0.77	1.69
3-7/16 3-1/2	2.86	13.00	2.81	9.25	10.75	3/16	7/8	1.69	2.25	7.50	5.50	3.75	0.94	1.91
3-15/16 4	3.33	14.25	3.31	10.00	11.88	7/32	1	2.00	2.50	8.44	6.47	4.13	1.13	2.19

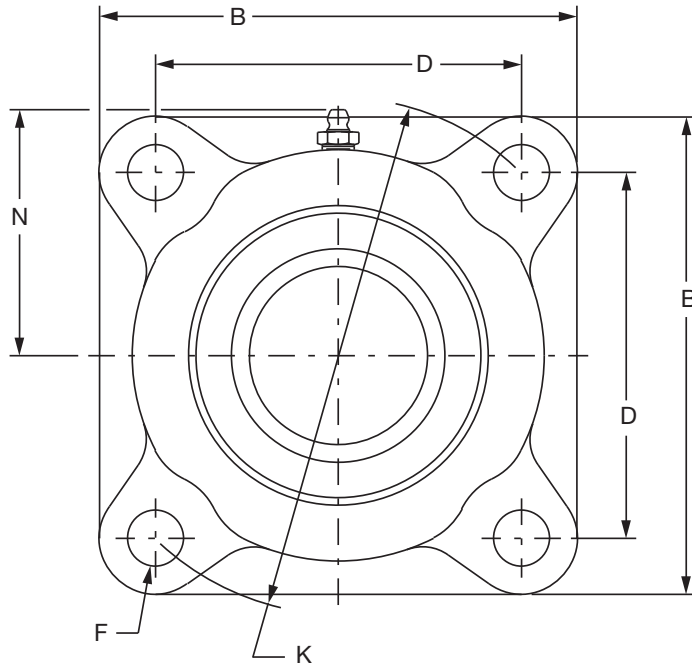
● Dimensions shown are for non-expansion units. The expansion bearing center and housing center are on the same centerline.

FEATURES/BENEFITS PAGE B13-2	SPECIFICATION PAGE B13-3	NOMENCLATURE PAGE B13-3	SELECTION PAGE B13-4
---------------------------------	-----------------------------	----------------------------	-------------------------

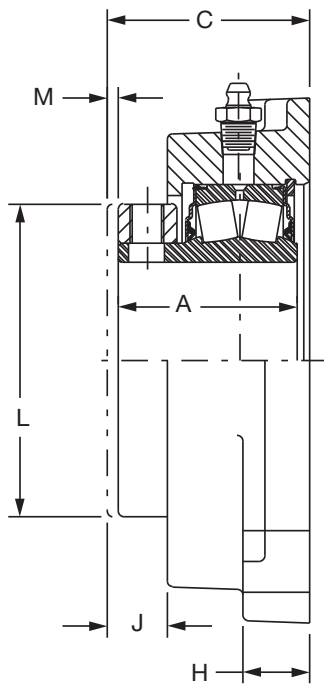
DIMENSIONS



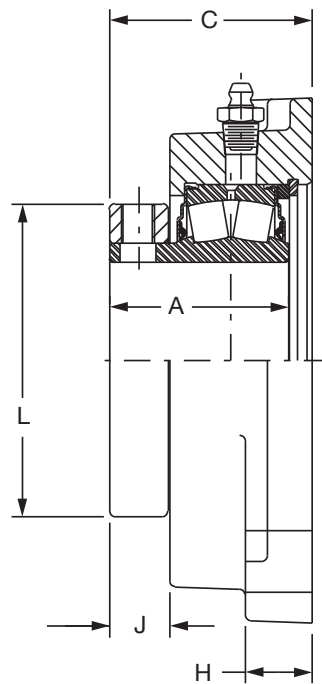
UNISPHERE II Flange Bearing - Inch 4-BOLT



NOTE: All sizes use a 1/8-27 NPT hydraulic grease fitting



EXPANSION



NON-EXPANSION

FEATURES/BENEFITS PAGE B13-2	SPECIFICATION PAGE B13-3	NOMENCLATURE PAGE B13-3	SELECTION PAGE B13-4
---------------------------------	-----------------------------	----------------------------	-------------------------



DIMENSIONS

UNISPHERE II Flange Bearing - Inch 4-BOLT

Bearing	Shaft Size Inch Δ	Non-Expansion*		Expansion		Approx. Wt. Lbs.
		Part No.	Part Name	Part No.	Part Name	
22208	1-7/16	048034	F4B-UN2-107	048051	F4B-UN2-107E	5.20
	1-1/2	048035	F4B-UN2-108	048052	F4B-UN2-108E	5.10
22209	1-11/16	048036	F4B-UN2-111	048053	F4B-UN2-111E	6.70
	1-3/4	048037	F4B-UN2-112	048054	F4B-UN2-112E	6.70
22210	1-15/16	048038	F4B-UN2-115	048055	F4B-UN2-115E	6.90
	2	048039	F4B-UN2-200	048056	F4B-UN2-200E	6.70
22211	2-3/16	048040	F4B-UN2-203	048057	F4B-UN2-203E	8.40
22213	2-7/16	048041	F4B-UN2-207	048058	F4B-UN2-207E	10.50
	2-1/2	048042	F4B-UN2-208	048059	F4B-UN2-208E	10.40
22215	2-11/16	048043	F4B-UN2-211	048060 †	F4B-UN2-211E	17.30
	2-3/4	048044	F4B-UN2-212	048061 †	F4B-UN2-212E	17.00
	2-15/16	048045	F4B-UN2-215	048062	F4B-UN2-215E	16.20
	3	048046	F4B-UN2-300	048063	F4B-UN2-300E	15.90
22218	3-7/16	048047	F4B-UN2-307	048064	F4B-UN2-307E	24.70
	3-1/2	048048 †	F4B-UN2-308	048065 †	F4B-UN2-308E	30.00
22220	3-15/16	048049	F4B-UN2-315	048066	F4B-UN2-315E	41.40
	4	048050	F4B-UN2-400	048067 †	F4B-UN2-400E	41.00

† Assembled to order. Consult DODGE for delivery.

Δ Consult DODGE for sizes not listed.

* Furnished unless otherwise specified.

UNISPHERE II 4-BOLT FLANGE DIMENSIONS ●

Shaft Size Inch	A	B	C	D	F Bolt Dia.	H	J	K	L	M Total Exp.	N
1-7/16 1-1/2	1.69	4.75	1.91	3.53	1/2	0.75	0.56	5.00	2.75	5/32	2.44
1-11/16 1-3/4	1.91	5.13	2.16	3.91	1/2	0.75	0.72	5.50	3.00	5/32	2.75
1-15/16 2	1.91	5.31	2.17	4.06	1/2	0.69	0.70	5.75	3.25	5/32	2.88
2-3/16	2.00	5.88	2.27	4.50	5/8	0.75	0.67	6.38	3.50	5/32	3.06
2-7/16 2-1/2	2.20	6.13	2.44	4.78	5/8	1.00	0.63	6.75	4.06	3/16	3.38
2-11/16 2-3/4 2-15/16 3	2.45	7.19	2.59	5.56	3/4	0.94	0.78	7.88	4.72	3/16	3.81
3-7/16 3-1/2	2.86	8.34	3.08	6.72	3/4	1.19	0.86	9.50	5.50	3/16	4.31
3-15/16 4	3.33	9.47	3.69	7.63	7/8	1.06	1.05	10.75	6.47	7/32	4.69

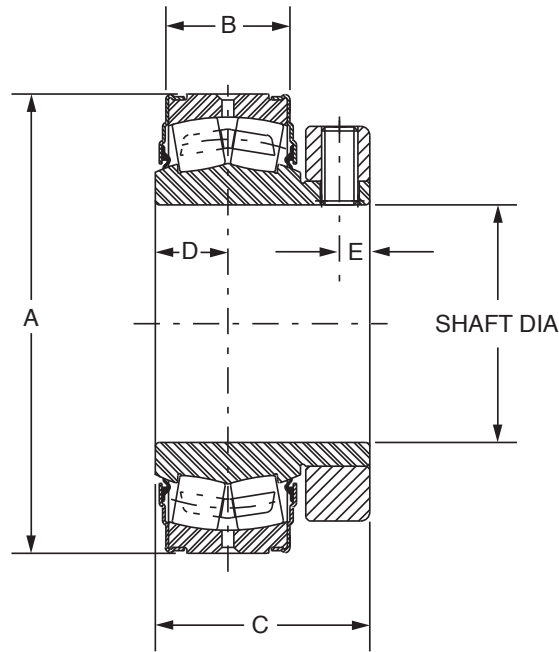
● Dimensions shown are for non-expansion units.

FEATURES/BENEFITS PAGE B13-2	SPECIFICATION PAGE B13-3	NOMENCLATURE PAGE B13-3	SELECTION PAGE B13-4
---------------------------------	-----------------------------	----------------------------	-------------------------



DIMENSIONS

UNISPHERE II Bearing Insert With Seal - Inch



Bearing	Shaft Size Inch Δ	Part No. \dagger	Part Name	Approx. Wt. Lbs.
22208	1-7/16	421243	BRG-UN2-107	1.5
	1-1/2	421244	BRG-UN2-108	1.4
22209	1-11/16	421245	BRG-UN2-111	1.6
	1-3/4	421246	BRG-UN2-112	1.5
22210	1-15/16	421247	BRG-UN2-115	1.8
	2	421248	BRG-UN2-200	1.7
22211	2-3/16	421249	BRG-UN2-203	2.3
	2-7/16	421250	BRG-UN2-207	4.1
22213	2-1/2	421251	BRG-UN2-208	3.9
	2-11/16	421252	BRG-UN2-211	5.6
22215	2-3/4	421253	BRG-UN2-212	5.4
	2-15/16	421254	BRG-UN2-215	4.8
	3	421255	BRG-UN2-300	4.6
22218	3-7/16	421256	BRG-UN2-307	9.2
	3-1/2	421257	BRG-UN2-308	8.6
22220	3-15/16	421258	BRG-UN2-315	12.4
	4	421259	BRG-UN2-400	12.1

\dagger Assembled-to-order size. Consult DODGE for delivery.

Δ Consult DODGE for sizes not listed.

DIMENSIONS



UNISPHERE II Bearing Insert With Seal - Inch

Bearing Reference Guide
 E-Family Roller Bearings
 Specialty Tapered Products
 S-2000
 UNISPHERE II
 IMPERIAL
 UNIFIED SAF

UNISPHERE II BEARING INSERT DIMENSIONS

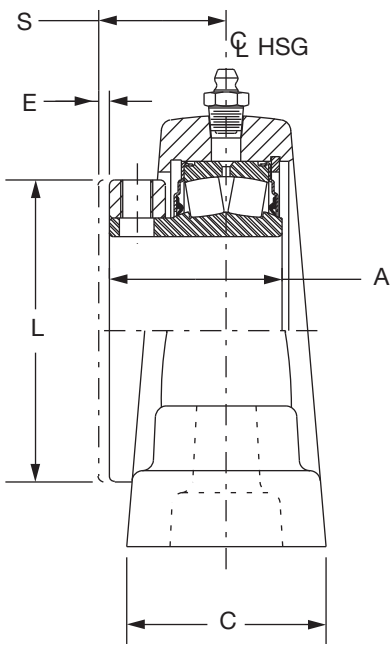
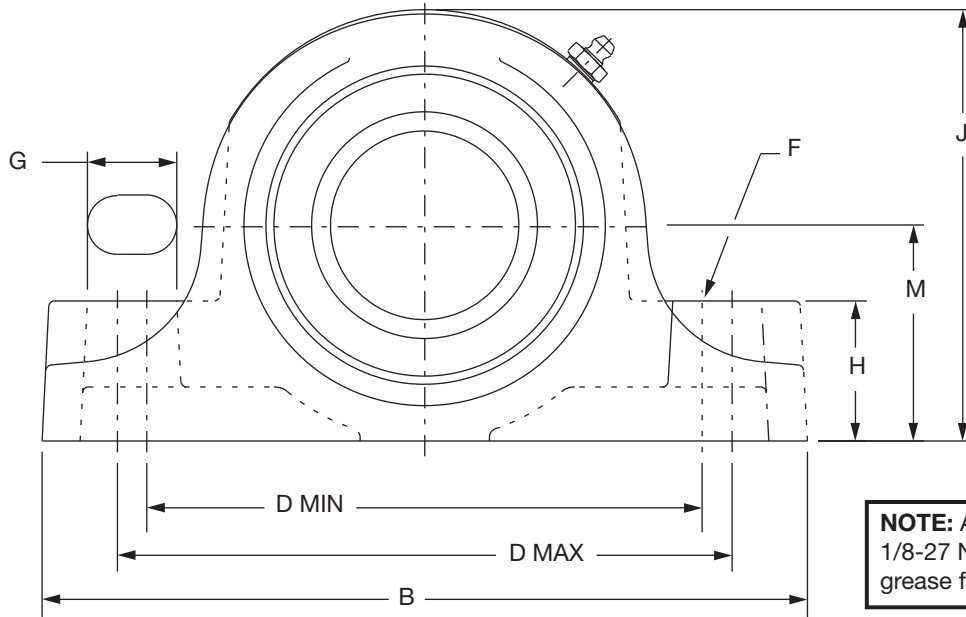
Shaft Size Inch	A	B	C	D	E
1-7/16 1-1/2	3.1496	0.95	1.69	0.56	0.29
1-11/16 1-3/4	3.3465	0.95	1.91	0.58	0.32
1-15/16 2	3.5433	0.95	1.91	0.59	0.32
2-3/16	3.9370	1.03	2.00	0.64	0.32
2-7/16 2-1/2	4.7244	1.27	2.20	0.75	0.32
2-11/16 2-3/4 2-15/16 3	5.1181	1.27	2.45	0.80	0.44
3-7/16 3-1/2	6.2992	1.62	2.86	0.95	0.44
3-15/16 4	7.0866	1.86	3.33	1.09	0.51

FEATURES/BENEFITS PAGE B13-2	SPECIFICATION PAGE B13-3	NOMENCLATURE PAGE B13-3	SELECTION PAGE B13-4
---------------------------------	-----------------------------	----------------------------	-------------------------

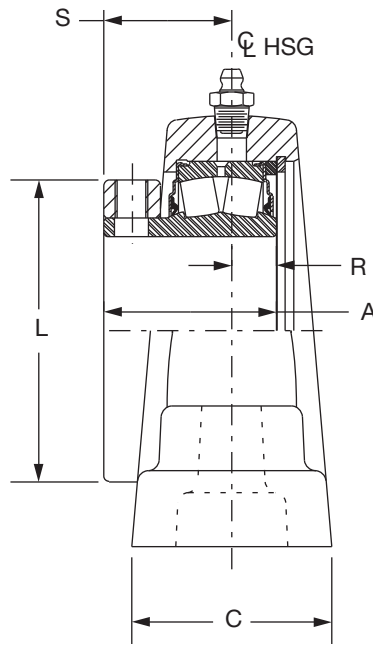


DIMENSIONS

UNISPHERE II Plummer Block Bearing - Metric



EXPANSION



NON-EXPANSION



DIMENSIONS

UNISPHERE II Plummer Block Bearing - Metric

Bearing	Shaft Size Δ	Non-Expansion*		Expansion		Approximate Weight Kgs.
		Part No.	Part Name	Part No.	Part Name	
22210	50mm	048109	P2B-UN2-050M	048124	P2B-UN2-050ME	3.4
22211	55mm	048110	P2B-UN2-055M	048125	P2B-UN2-055ME	4.4
22213	60mm	048111	P2B-UN2-060M	048126	P2B-UN2-060ME	6.2
22215	70mm	048113	P2B-UN2-070M	048128	P2B-UN2-070ME	8.6
	75mm	048114	P2B-UN2-075M	048129	P2B-UN2-075ME	8.3
22218	80mm	048115	P2B-UN2-080M	048130	P2B-UN2-080ME	12.9
	85mm	048116	P2B-UN2-085M	048131	P2B-UN2-085ME	12.6

† Assembled to order. Consult DODGE for delivery.

Δ Consult DODGE for sizes not listed.

* Furnished unless otherwise specified.

METRIC UNISPHERE II - PLUMMER BLOCK - DIMENSIONS (MM) ●

Shaft Size	A mm	B mm	C mm	D		E Total Exp.	F Bolt Dia.	G mm	H mm	J mm	L mm	M mm	R mm	S mm
				Min.	Max.									
50mm	48	213	52	151	170	3.9	16	27	35	116	83	57.1	12	37
55mm	51	225	59	164	181	3.9	16	26	41	127	89	63.5	13	38
60mm	56	235	65	173	189	4.7	16	25	44	144	103	69.8	17	39
70mm	62	265	65	198	214	4.7	20	29	57	164	120	82.5	19	43
75mm														
80mm	73	330	71	235	273	4.7	22	43	57	190	140	95.2	24	48
85mm														

● Dimensions shown are for non-expansion units. The expansion bearing center and housing center are on the same centerline.

FEATURES/BENEFITS PAGE B13-2	SPECIFICATION PAGE B13-3	NOMENCLATURE PAGE B13-3	SELECTION PAGE B13-4
---------------------------------	-----------------------------	----------------------------	-------------------------



DIMENSIONS

UNISPHERE II Flange - Metric 4-BOLT

Bearing Reference Guide

E-Family Roller Bearings

Specialty Tapered Products

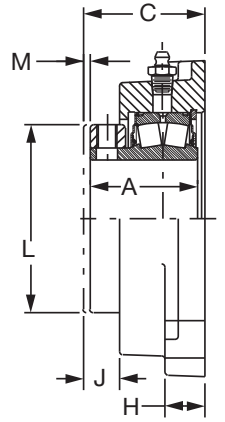
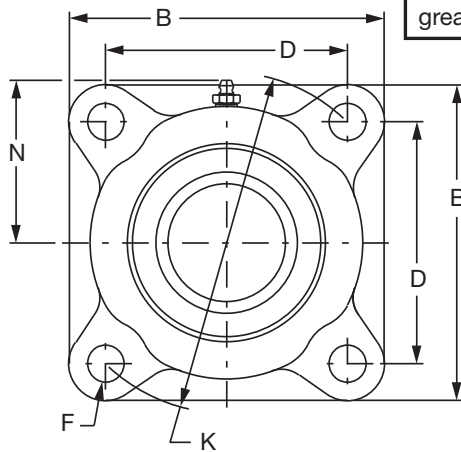
S-2000

UNISPHERE II

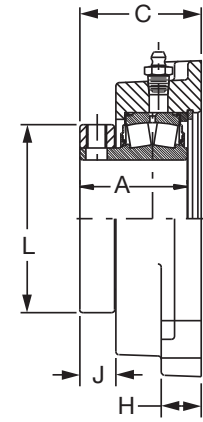
IMPERIAL

UNIFIED SAF

NOTE: All sizes use a 1/8-27 NPT hydraulic grease fitting



EXPANSION



NON-EXPANSION

Bearing	Shaft Size Δ	Non-Expansion*		Expansion		Approx. Wt. Kgs.
		Part No.	Part Name	Part No.	Part Name	
22209	40mm	048202	F4B-UN2-040M	048216	F4B-UN2-040ME	3.1
	45mm	048203	F4B-UN2-045M	048217	F4B-UN2-045ME	3.1
22210	50mm	048204	F4B-UN2-050M	048218	F4B-UN2-050ME	3
22211	55mm	048205	F4B-UN2-055M	048219	F4B-UN2-055ME	3.8
22213	60mm	048206	F4B-UN2-060M	048220	F4B-UN2-060ME	4.8
	65mm	048207	F4B-UN2-065M	048221	F4B-UN2-065ME	4.6
22215	70mm	048208	F4B-UN2-070M	048222	F4B-UN2-070ME	8.2
22218	80mm	048210	F4B-UN2-080M	048224	F4B-UN2-080ME	11.2

Δ Consult DODGE for sizes not listed.

* Furnished unless otherwise specified.

METRIC UNISPHERE II - 4-BOLT FLANGE - DIMENSIONS (mm) ●

Shaft Size	A	B	C	D	F Bolt Dia.	H	J	K	L	M Total Exp.	N
40mm	48	130	55	99	12	19	18	140	76	3.9	70
45mm											
50mm	48	135	55	103	12	18	18	146	82	3.9	73
55mm	51	149	58	114	16	19	17	162	89	3.9	78
60mm											
65mm	56	156	62	121	16	25	16	171	103	3.9	86
70mm	62	183	66	141	20	24	20	200	120	4.7	97
80mm	73	212	78	171	20	30	22	241	140	4.7	109

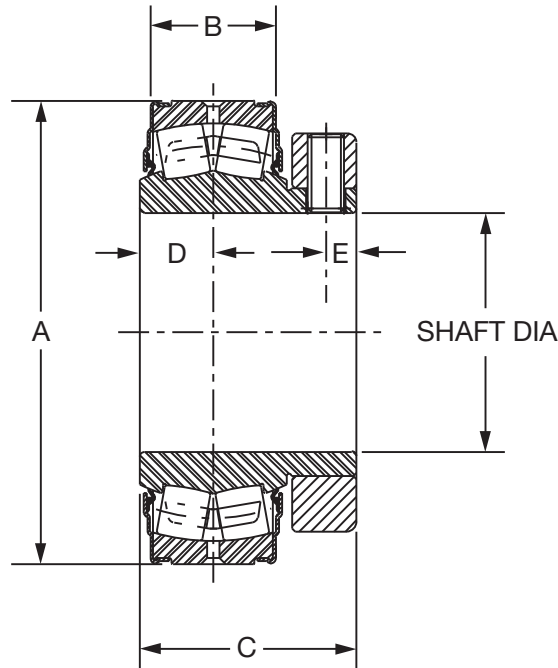
● Dimensions shown are for non-expansion units.

FEATURES/BENEFITS PAGE B13-2	SPECIFICATION PAGE B13-3	NOMENCLATURE PAGE B13-3	SELECTION PAGE B13-4
---------------------------------	-----------------------------	----------------------------	-------------------------



DIMENSIONS

UNISPHERE II Bearing Insert With Seal - Metric



Bearing	UNISPHERE II Bearing Insert W/Seals Metric				UNISPHERE II Bearing Insert Dimensions-Metric					
	Shaft Size Δ	Part No.	Part Name	Approx. Wt. Kgs.	Shaft Size	A mm	B mm	C mm	D mm	E mm
22209	40mm	421362	BRG-UN2-040	0.80	40mm	85	24	48	14.7	7.26
	45mm	421363	BRG-UN2-045	0.70	45mm					
22210	50mm	421364	BRG-UN2-050	0.75	50mm	90	24	48	15.1	8.05
22211	55mm	421365	BRG-UN2-055	1.06	55mm	100	26	51	16.4	8.05
22213	60mm	421366	BRG-UN2-060	1.95	60mm	120	32.2	56	19.0	8.05
	65mm	421367	BRG-UN2-065	1.74	65mm					
22215	70mm	421368	BRG-UN2-070	2.37	70mm	130	32.3	62	20.2	11.2
	75mm	421369	BRG-UN2-075	2.09	75mm					
22218	80mm	421370	BRG-UN2-080	4.54	80mm	160	41.3	73	24.1	11.2
	85mm	421371	BRG-UN2-085	4.20	85mm					
	90mm	421372	BRG-UN2-090	3.90	90mm					

Δ Consult DODGE for sizes not listed.

FEATURES/BENEFITS PAGE B13-2	SPECIFICATION PAGE B13-3	NOMENCLATURE PAGE B13-3	SELECTION PAGE B13-4
---------------------------------	-----------------------------	----------------------------	-------------------------



NOTES

Bearing Reference
Guide

E-Family Roller
Bearings

Specialty Tapered
Products

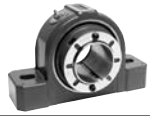
S-2000

UNISPHERE II

IMPERIAL

UNIFIED SAF

CONTENTS



IMPERIAL - IP, ISAF and ISN

Features And Benefits

IMPERIAL.....	B14-2
IMPERIAL-IP	B14-4
IMPERIAL-HD	B14-6
ISAF, ISAF HYD	B14-10
ISN, ISNX HYD.....	B14-12

Specification

IMPERIAL.....	B14-5
IMPERIAL-HD	B14-7

How To Order / Nomenclature

IMPERIAL.....	B14-8
ISAF, ISAF HYD	B14-11
ISN, ISNX HYD.....	B14-13

Selection

IMPERIAL-IP, ISAF, HD, ISN, ISNX.....	B14-14
IMPERIAL-IP and SAF Roller Bearing	B14-17

Dimensions

IMPERIAL - IP Pillow Block, 2 Bolt	B14-30
Steel IMPERIAL - HD Pillow Block, 2 Bolt	B14-38
IMPERIAL - IP Pillow Block, 4 Bolt	B14-42
Steel IMPERIAL - HD Pillow Block, 4 Bolt	B14-48
IMPERIAL ISAF, 2 Bolt	B14-52
IMPERIAL ISAF, 4 Bolt	B14-54
ISAF Pillow Block Hydraulic.....	B14-60
IMPERIAL - ISN Metric Pillow Block, 2 Bolt	B14-62
ISNX Hydraulic.....	B14-64
IMPERIAL - IP Flange - Round	B14-66
IMPERIAL - IP Flange - Square	B14-70
Steel IMPERIAL-HD Flange, 4 Bolt	B14-78
IMPERIAL - IP Piloted Flange	B14-82
Steel IMPERIAL - HD Piloted Flange	B14-90
Steel IMPERIAL- HD Narrow Piloted Flange	B14-94
IMPERIAL - IP Wide Slot Take-Up	B14-96
IMPERIAL Bearing Insert	B14-100
IMPERIAL ISAF - How to Order ISAF Smart Stock Selections	B14-103
IMPERIAL Spanner Wrench.....	B14-104
IMPERIAL Lockplate Kit.....	B14-105
End Covers	B14-106

Part Number Index	INDEX-1
-------------------------	---------

Keyword Index	KEYWORD-1
---------------------	-----------



FEATURES/BENEFITS

Bearing Reference Guide

E-Family Roller Bearings

Specialty Tapered Products

S-2000

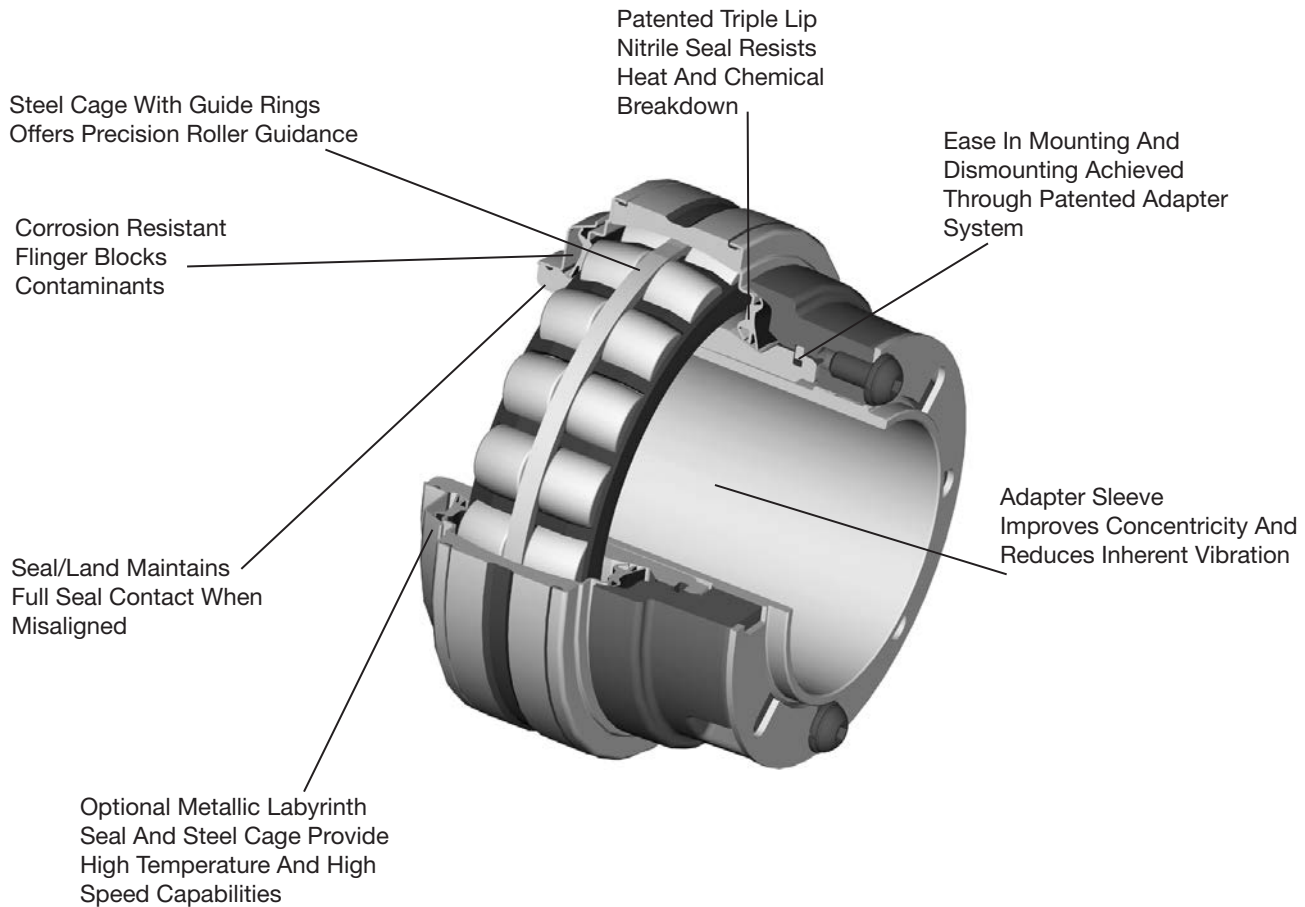
UNISPHERE II

IMPERIAL

UNIFIED SAF

**IMPERIAL
Patented Adapter System
Offers Quick Installation And Removal**

The DODGE IMPERIAL bearing uses a thin wall push-pull adapter system that achieves clearance setting without the use of feeler gauges. The IMPERIAL bearing is installed by turning the locknut clockwise and removed by a counterclockwise rotation. Installation and removal of an IMPERIAL bearing can be accomplished in 15 minutes or less.



Installation and Removal Savings . . .

- Factory lubed, sealed and adjusted, ready to slip onto the shaft
- IMPERIAL adapter sleeve concentricity virtually eliminates fretting corrosion
- Field convertible from non-expansion to expansion and expansion to non-expansion
- Elongated pillow block bolt holes to facilitate mounting



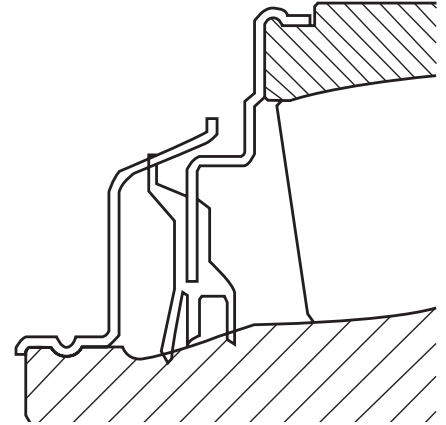
FEATURES/BENEFITS

IMPERIAL

IMPERIAL Bearings Offer Patented Seal Options To Maximize Bearing Life . . .

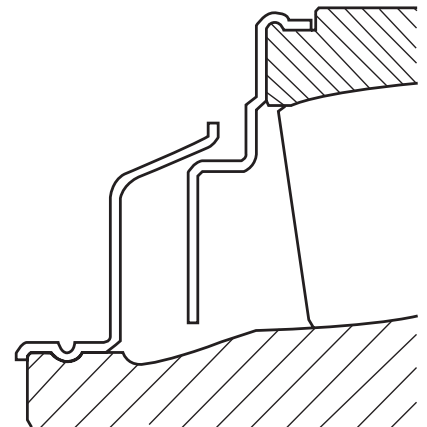
TRIDENT™ seals for low to medium speed

- Face rubbing triple lip seal
- Flinger to shield seal and bearing from contamination/damage
- Seal/land positive contact up to ± 1 degree of misalignment
- Patented design



Labyrinth seals for higher speeds or high temperatures

- High speed for relatively clean or hot environments
- 15% increase in maximum speed over standard SAF adapter mounted sphericals of the same shaft size
- Flinger to shield seal and bearing from contamination/damage
- Seal operates up to ± 1 degree of misalignment
- Patented design



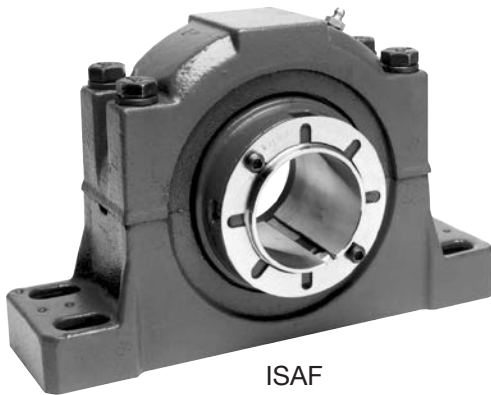


FEATURES/BENEFITS

IMPERIAL - IP



Flange IMPERIAL



ISAF



Pillow Block IMPERIAL

- Push-pull adapter mount
- Grease limiting speeds 30% higher than setscrew mounts
- Same rolling element as the S-2000 bearing
- Pillow blocks are interchangeable with S-2000 dimensions on all sizes
- All housings are Class 30 Gray Iron
- 2 bolt pillow blocks, 4 bolt flange bearings piloted flange and take-ups 1-1/8" to 4" 4 bolt pillow blocks in sizes 2-3/8" to 5"
- Jackscrew holes standard on piloted flanges
- Can replace 300 series ball bearings in many applications
- Patented adapter mounting system
- Superior holding power reduces the fretting corrosion caused by vibration
- Shaft ready installation
- No special tools required for installation
- DODGE TRIDENT triple lip seal provides superior sealing system
- Seal/land on OD of inner ring maintains full contact pressure even when misaligned
- Less shaft damage vs. setscrew mounts
- Reduced vibration damage vs. setscrew mounts

NOTE: Instruction manuals for Dodge bearings available on www.dodge-pt.com



SPECIFICATION

IMPERIAL INCH

DODGE Spherical Bearings, including IMPERIAL bearings, are general-purpose, high-capacity, double-row spherical roller bearings. All IMPERIAL bearings are mounted in single-piece, precision-machined housings. Bearings are mounted to shafts by means of a patented adapter system that improves concentricity and reduces inherent vibration.

ASTM A48 Class 30 cast iron is the standard material used in IMPERIAL housings. Housing designs are available for survival in extremely harsh environments, through the use of special finishes and stainless hardware.

Housings are available in a variety of standard configurations, including pillow blocks, flanges, piloted flanges and take-up bearings. TRIDENT triple lip contact seals and Labyrinth seals are available on IMPERIAL bearings.





FEATURES/BENEFITS

Dodge IMPERIAL-HD

Dodge IMPERIAL-HD mounted bearings feature proven Dodge Imperial bearing insert technology deployed in steel housings designed specifically for harsh applications that demand superior housing strength. Major features include...

- Imperial patented push-pull adapter mounting system
- High capacity cast steel housing
- Same dimensions as cast iron Imperial products
- Also available in popular “Type E” dimensioned housings
- Proven, high capacity spherical rollers
- Effective sealing systems for tough applications
- Closed & shaft through end covers
- Sealed inserts that can be easily replaced in the field
- Field convertible between Expansion & Non-Expansion

IMPERIAL-HD

- Two bolt pillow blocks – 1-1/8 to 4”
- Four bolt pillow blocks – 2-3/8 to 5”
- Four bolt square flange – 1-1/8 to 4”
- Piloted flange – 1-1/8 to 5”
- Narrow piloted “Edger” flange – 1-7/16 to 4-7/16”

“E” Dimensioned IMPERIAL-HD

- Two bolt pillow blocks – 1-3/8 to 3-1/2”
- Four bolt pillow blocks – 2-1/4 to 5”
- Four bolt square flange – 1-3/8 to 4-1/2”





SPECIFICATION

IMPERIAL-HD INCH

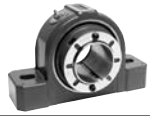
DODGE Spherical Bearings, including IMPERIAL-HD bearings, are general-purpose, high-capacity, double-row spherical roller bearings. All IMPERIAL-HD bearings are mounted in single-piece, precision-machined housings. Bearings are mounted to shafts by means of a patented adapter system that improves concentricity and reduces inherent vibration.

ASTMA A-27 Grade 70-36 Class 1 steel is the standard material used in steel IMPERIAL HD housings. Housing designs are available for survival in extremely harsh environments, through the use of special finishes and stainless hardware.

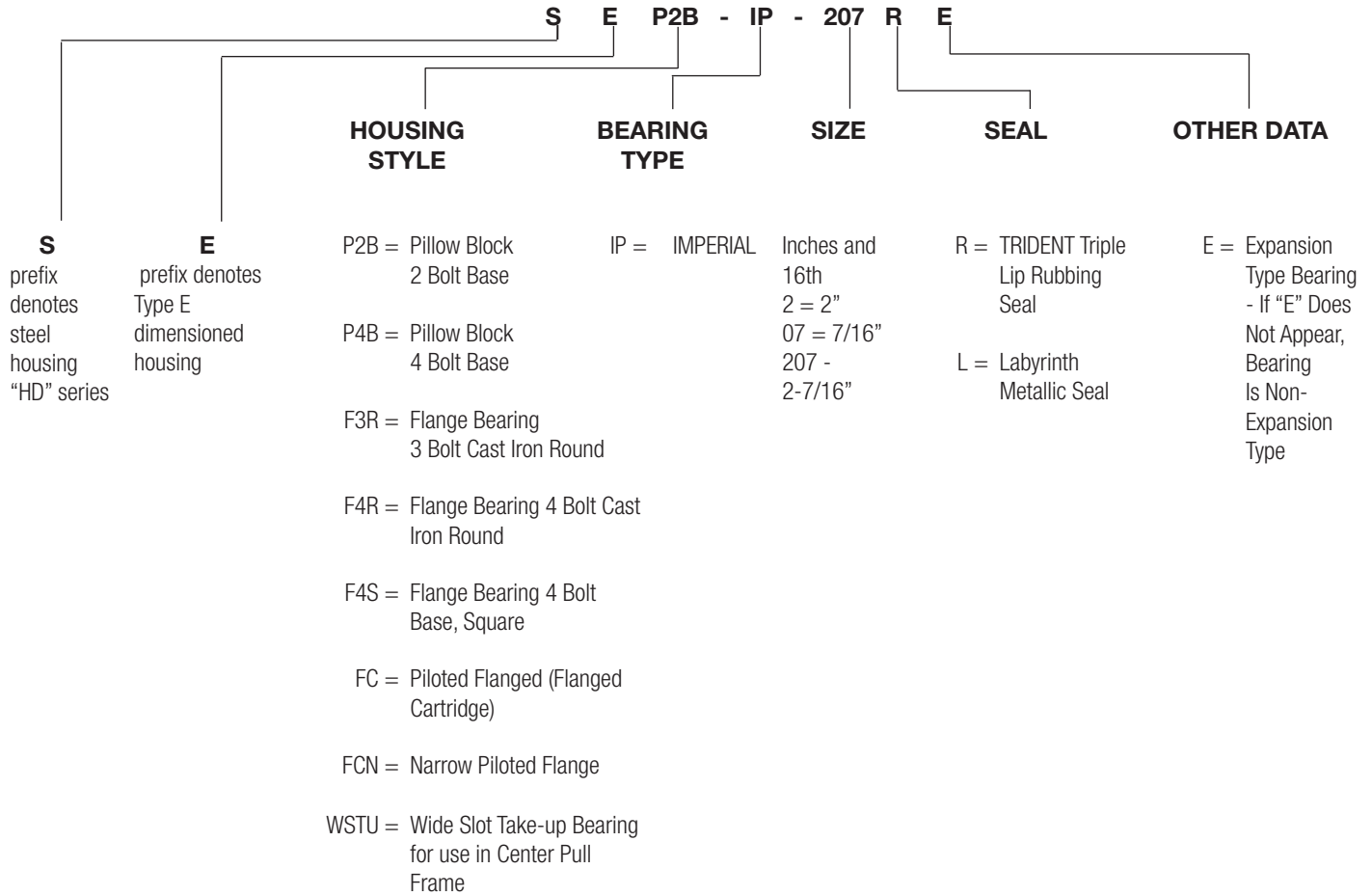
Housings are available in a variety of standard configurations, including pillow blocks, flanges, piloted flanges and take-up bearings. TRIDENT triple lip contact seals and Labyrinth seals are available on IMPERIAL bearings.



NOMENCLATURE



Imperial - IP



FEATURES/BENEFITS PAGE B14-2	SPECIFICATIONS PAGE B14-5	SELECTION PAGE B14-14	DIMENSIONS PAGE B14-30
---------------------------------	------------------------------	--------------------------	---------------------------



FEATURES/BENEFITS

Bearing Reference Guide

E-Family Roller Bearings

Specialty Tapered Products

S-2000

UNISPHERE II

IMPERIAL

UNIFIED SAF

ISAF



- Interchangeable with SAF style pillow blocks
- Patented adapter mounting system
- Easy installation - no feeler gauges needed
- Easy removal - no torches, sledge hammers or special tools needed
- DODGE TRIDENT triple lip seal provides superior sealing system
- Labyrinth seal available for high speed or high temperature applications.
- Up to $\pm 1^\circ$ misalignment capability
- Seal land on OD of inner ring maintains full contact pressure even when misaligned
- High capacity double row spherical bearings
- 2 bolt pillow blocks in sizes 1-7/16" to 3-6/16"
- 4 bolt pillow blocks in sizes 2-7/16" to 7"

ISAF HYD

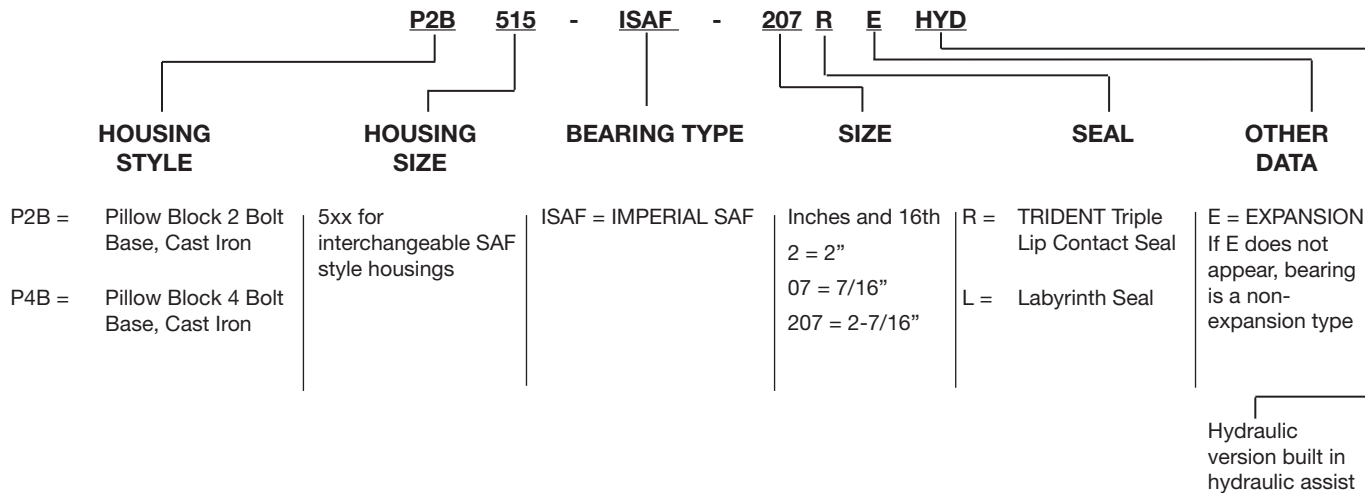


- Built in hydraulic mounting and dismounting
 - No feeler gauges for installation
 - No torches or sledge hammers for removal
- Built in taconite style sealing
- 4 bolt pillow blocks 5-7/16" through 15"
- 22232K through 23176K double row spherical bearings



NOMENCLATURE

ISAF



FEATURES/BENEFITS PAGE B14-2	SPECIFICATIONS PAGE B14-5	SELECTION PAGE B14-14	DIMENSIONS PAGE B14-30
---------------------------------	------------------------------	--------------------------	---------------------------



FEATURES/BENEFITS

Bearing Reference Guide

E-Family Roller Bearings

Specialty Tapered Products

S-2000

UNISPHERE II

IMPERIAL

UNIFIED SAF

ISN



- Interchangeable with 500 series "SN" dimensioned products
- Patented Imperial "Push/Pull" adapter mounting system
- Eliminates need for feeler gauges
- Fifteen minute installation and removal
- Field convertible from expansion to non-expansion and vice versa
- Triple lip contact seals for wet or dirty applications
- Labyrinth non-contact seals for higher speed/higher temperature applications

ISNX HYD



- Interchangeable with large-bore 3100 series plummer blocks
- Built in hydraulic mounting and dismounting
 - No feeler gauges for installation
 - No torches or sledge hammers for removal
- Built in taconite style sealing
- Four-bolt pillow blocks 150mm through 360mm
- 23134K through 23176K double row spherical bearings

NOMENCLATURE



How To Order

There are two ways to specify DODGE Bearings. Most of the product offerings have part numbers with listings shown throughout this catalog. Use of part numbers ensures accurate order processing.

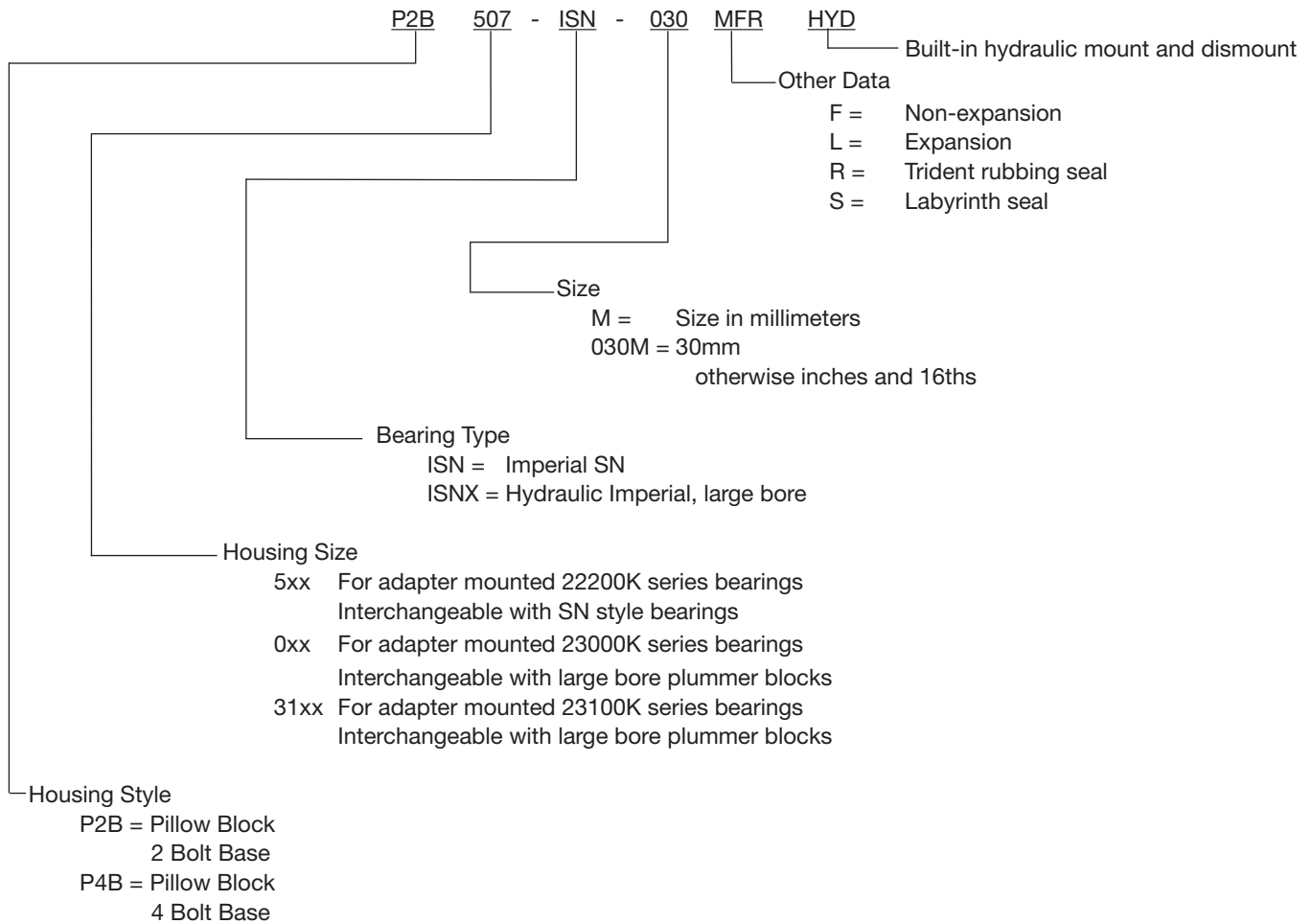
When part numbers are not shown, the product may be specified by description or part name. This method is used when ordering units that include modifications or options. To order by description, use the nomenclature key shown on this page and add any special instructions to the end of the description for options not covered by the nomenclature.

DODGE Spherical Bearings are factory adjusted and pre-lubricated. For applications where extreme ambient temperatures, high speeds, or high loads are expected,

a variety of specialty lubricants are available. Standard lubricant provided is Mobil Grease XHP 222, a lithium complex based grease. High temperature greases available upon request. Other special lubricants are available upon request. Special lubricant options usually involve set-up charges, minimum quantities and list price premiums. To order, specify type of lubricant required at the end of the product name or after the standard part number.

Example: 071792 or 071650 except with Mobil Grease HTS #2 grease
or
SP2BIP108R except with Mobil Grease HTS #2 grease

For applications requiring modifications not listed, we encourage you to contact our Application Engineering Department for Bearings at 864-284-5700.



FEATURES/BENEFITS PAGE B14-2	SPECIFICATIONS PAGE B14-5	SELECTION PAGE B14-14	DIMENSIONS PAGE B14-30
---------------------------------	------------------------------	--------------------------	---------------------------

Bearing Reference Guide
 E-Family Roller Bearings
 Specialty Tapered Products
 S-2000
 UNISPHERE II
 IMPERIAL
 UNIFIED SAF



SELECTION

IMPERIAL-IP, ISAF, HD, ISN, ISNX

DODGE Spherical Roller Bearings have the capacity to carry heavy radial loads and combined radial and thrust loads. The maximum recommended load which can be applied is limited by various components in the system such as bearing, housing, shaft, shaft attachment, speed and life requirements as listed in this catalog. DODGE spherical roller bearings have been applied successfully even when these limits have been exceeded under controlled operating conditions. Contact DODGE Application Engineering (864-284-5700) for applications which exceed the recommendations of this catalog.

L₁₀ Hours Life - The life which may be expected from at least 90% of a given group of bearings operating under identical conditions.

$$L_{10} \text{ Life, Hours} = \left(\frac{C}{P} \right)^{10/3} \times \left(\frac{16667}{\text{RPM}} \right)$$

Where:

C = Dynamic Capacity (Table 1 on page B4-17 for IMPERIAL), lbs.

P = Equivalent Radial Load, lbs.

GENERAL

Heavy Service - For heavy shock loads, frequent shock loads, or severe vibrations, add up to 50% (according to severity of conditions) to the Equivalent Radial Load to obtain a Modified Equivalent Radial Load. Consult DODGE Application Engineering for additional selection assistance.

Thrust load values shown in the table below are recommended as a guide for general applications that will give adequate L₁₀ life. Spherical bearings require a radial load at least equal to the thrust load for proper operation. If the thrust load exceeds this limit, consult Application Engineering. Where substantial radial load is also present, it is advisable to calculate actual L₁₀ life to assure that it meets the requirements. The effectiveness of the shaft attachment to carry thrust load depends on proper tightening of the bearing to the shaft. Therefore, it is advisable to use auxiliary thrust carrying devices such as shaft shoulder, snap ring or a thrust collar to locate the bearing under thrust loads heavier than shown below, or where extreme reliability is desired.

RPM	20- 200	201-2000	Over 2000
Recommended Thrust Load	C/20	C/40	C/60

The shaft tolerances recommended below are adequate for normal radial and radial/thrust load applications. Since the allowable load, especially at a low speed, is very large, the shaft should be checked to assure adequate shaft strength.

The magnitude and direction of both the thrust and radial load must be taken into account when selecting a housing. **When pillow blocks are utilized, heavy loads should be directed through the base. Where cap loads are involved, see Table 3 on page B4-15 for maximum values.** Where a load pulls the housing away from the mounting base, both the hold-down bolts and housing must be of adequate strength. Auxiliary load carrying devices such as shear bars are advisable for side or end loading of pillow blocks and radial loads for flange units.

Shaft Tolerances

	Tolerance, Inches
Up To 1-1/2"	+.000 -.002"
1-9/16 to 2-1/2"	+.000 -.003"
2-5/8 to 4"	+.000 -.004"
4-3/16 to 6"	+.000 -.005"
6-7/16" and above	+.000 -.006"

BEARING SUPPORTING RADIAL LOADS ONLY

1. Define L₁₀ Life Hours desired.
2. Establish bearing radial load, F_R (F_R = P for Pure Radial Load Conditions). The DODGE program BEST* can be used to find application loads.
3. Establish RPM.

Using the easy selection Table 2 on page B4-18 for IMPERIAL, find, under the RPM column, the equivalent radial load that equals or is slightly higher than the application radial load for the desired life. The shaft size on the far left will be the minimum shaft size that you can use for your application.

If the desired life is different than the values shown on the chart, use alternate Method A shown below.

- Example:
1. L₁₀ Life = 30,000 Hours
 2. Radial load = 4000 lbs.
 3. RPM = 1,000

At the intersection of the 1,000 RPM column and the 30,000 hours L₁₀ life row, the equivalent radial load of 4116 lbs. exceeds the 4000 lbs. radial load for shaft size 2-3/8" to 2-1/2". A bearing with bore ranging from 2-3/8" to 2-1/2", or larger, may be used for this application.

FEATURES/BENEFITS PAGE B14-2	SPECIFICATIONS PAGE B14-5	HOW TO ORDER/NOMENCLATURE PAGE B14-8	DIMENSIONS PAGE B14-30
---------------------------------	------------------------------	---	---------------------------



SELECTION

IMPERIAL-IP, ISAF, HD, ISN, ISNX

ALTERNATE METHOD A - SELECTING A BEARING FOR AN L₁₀ LIFE VALUE NOT SHOWN IN THE EASY SELECTION CHART.

The L₁₀ life equation can be rearranged so that the bearing dynamic capacity C is identified in terms of L₁₀, RPM and P

$$C = \left(\frac{L_{10} \times \text{RPM}}{16667} \right)^{0.3} \times P$$

(P = F_R for Pure Radial Load Conditions)

Since the L₁₀, RPM and P are known, solve for C. Select from the dynamic capacity column on Table 1 the C value equal to or greater than the C value just calculated. The bore size on the far left represents the proper bore size selection. Check that the application RPM does not exceed the MAX. RPM from Table 1. When selecting an L₁₀ life of less than 30,000 hours, particular attention must be paid to shaft deflection and proper lubricant selection.

SELECTING BEARINGS SUPPORTING COMBINATION RADIAL AND THRUST LOADS

When a bearing supports both a radial load and a thrust load, the loading on the two rows is shared unequally depending on the ratio of thrust to radial load. The use of the X (radial factor) and Y (thrust factor) from Table 1 converts the applied thrust load and radial load to an equivalent radial load having the same effect on the life of the bearing as a radial load of this magnitude.

The equivalent radial load P = XFR + YFA

Where:

- P = Equivalent radial load, lbs.
- F_R = Radial load, lbs. (see Table 1 for allowable slip fit maximum load)
- F_A = Thrust (axial) load, lbs.
- e = Thrust load to radial load factor (Table 1)
- X = Radial load factor (Table 1)
- Y = Thrust load factor (Table 1)

To find X and Y, calculate F_A/F_R and compare to e for the selected bore size. Determine X and Y from Table 1 on page B4-17 depending on whether F_A/F_R is equal to or less than e, or F_A/F_R is greater than e. Substitute all known values into the equivalent radial load equation. P (equivalent radial load) can be used in the life formula to determine L₁₀, or it can be compared to the allowable equivalent radial load ratings for the speed and hours life desired in the easy selection.

★ The DODGE Bearing Evaluation and Selection Technique (BEST) is a menu driven computer program that calculates bearing loads, fatigue life and operating temperature for a two bearing shaft system based on user supplied input parameters. This interactive program is available at www.ptwizard.com under the Product Selection area.

SELECTING BEARINGS SUPPORTING ONLY THRUST LOADS

Spherical Roller Bearings generally are not recommended for pure thrust load applications. However, they will perform satisfactorily under very light pure thrust loads. Consult DODGE Application Engineering (864-284-5700).

SELECTING LUBRICATION

IMPERIAL spherical roller bearings are lubricated at the factory with Mobil Grease XHP 222 - lithium complex grease. This grease will adequately handle low and medium speeds with low and medium loads at normal temperatures on Table 10 on page B4-29. For very low and high speeds, for heavy loads, and for low and high temperatures, special greases may be used. Contact DODGE Application Engineering (864-284-5700), DODGE engineers will recommend bearings and lubricants for the above unusual conditions. DODGE also has the expertise to custom design and build special bearings for your needs. The only maintenance requirement for DODGE Spherical roller bearings is periodic relubrication at regular intervals as outlined in the appropriate instruction manuals.

MISALIGNMENT CONSIDERATIONS

In nearly all applications good design practice requires two bearings supporting the shaft. In cases where three or more bearings are installed, unless precautions are taken to line the bearings up, both vertically and horizontally, it is possible to induce heavy loads. In the case of two bearings, alignment is not as critical, especially with DODGE Unitized Spherical Roller Bearings. IMPERIAL bearings are designed to allow a maximum of ±1° of static and dynamic misalignment. To ensure good alignment, mounting surfaces must be checked for flatness and must lie in the same plane. When tightening base bolts, each bolt should be alternately tightened in incremental torque values until full torque is achieved to prevent the angular shifting of the pillow block that occurs when one bolt is tightened to its full torque. Shimming may be required to minimize misalignment.

FEATURES/BENEFITS PAGE B14-2	SPECIFICATIONS PAGE B14-5	HOW TO ORDER/NOMENCLATURE PAGE B14-8	DIMENSIONS PAGE B14-30
---------------------------------	------------------------------	---	---------------------------



SELECTION

IMPERIAL-ISNX

To find X and Y, calculate F_A/F_R and compare to e for the selected bore size. Determine X and Y from Table 3 on page B4-17 depending on whether F_A/F_R is equal to or less than e, or F_A/F_R is greater than e. Substitute all known values into the equivalent radial load equation. P (equivalent radial load) can be used in the life formula to determine L_{10} , or it can be compared to the allowable equivalent radial load ratings for the speed and hours life desired in the easy selection on page B4-17.

SELECTING BEARINGS SUPPORTING ONLY THRUST LOADS

Spherical Roller Bearings generally are not recommended for pure thrust load applications. However, they will perform satisfactorily under very light pure thrust loads. Consult DODGE Application Engineering (864-284-5700).

SELECTING LUBRICATION

IMPERIAL spherical roller bearings are lubricated at the factory with Mobil Grease XHP 222 - lithium complex grease. This grease will adequately handle low and medium speeds with low and medium loads at normal temperatures on Table 10 on page B4-29. For very low and high speeds, for heavy loads, and for low and high temperatures, special greases may be used. Contact DODGE Application Engineering (864-284-5700), DODGE engineers will recommend bearings and lubricants for the above unusual conditions. DODGE also has the expertise to custom design and build special bearings for your needs. The only maintenance requirement for DODGE Spherical roller bearings is periodic relubrication at regular intervals as outlined in the appropriate instruction manuals.

MISALIGNMENT CONSIDERATIONS

In nearly all applications good design practice requires two bearings supporting the shaft. In cases where three or more bearings are installed, unless precautions are taken to line the bearings up, both vertically and horizontally, it is possible to induce heavy loads. In the case of two bearings, alignment is not as critical, especially with DODGE Unitized Spherical Roller Bearings. IMPERIAL bearings are designed to allow a maximum of $\pm 1^\circ$ of static and dynamic misalignment. To ensure good alignment, mounting surfaces must be checked for flatness and must lie in the same plane. When tightening base bolts, each bolt should be alternately tightened in incremental torque values until full torque is achieved to prevent the angular shifting of the pillow block that occurs when one bolt is tightened to its full torque. Shimming may be required to minimize misalignment.

Lubrication Guide for Hydraulic ISAF/ISNX

Lubrication Guide in Months				
Bore (in)	1 - 250 rpm	251 - 500 rpm	501 - 750 rpm	751-1000 rpm
5-7/16 - 5-1/2	1.50	1	0.50	0.25
5-15/16 - 7	1	0.50	0.50	0.25
8 - 9	1	1	0.50
10 - 12-1/2	1	0.50
14 - 15	0.50	0.25

Based on 12 hrs/day, 150 F° Max
Continuous operation, 24 h/d, decrease by 50%

Lubrication Guide for Imperial/ISAF/ISN

Re-Lubrication Intervals (Months) Based on 12 hours per day, 150°F M									
Shaft Size. (Inches)	RPM								
	250	500	750	1000	1250	1500	2000	2500	>3000
1-1/8 to 2	4	3	2	2	1	0.50	0.25	0.25	0.25
2-3/16 to 2-1/4	3.50	2.50	1.50	1	0.50	0.50	0.25	0.25	0.25
2-3/8 to 3	3	2	1.50	1	0.50	0.25	0.25	0.25	0.25
3-3/16 to 3-1/2	2.50	1.50	1	0.50	0.25	0.25	0.25	0.25	-
3-11/16 to 4-1/2	2	1.50	1	0.50	0.25	0.25	0.25	-	-
4-15/16 to 5-1/2	1.50	1	0.50	0.25	0.25	0.25	-	-	-
5-15/16 to 6	1	0.50	0.50	0.25	0.25	0.25	-	-	-
6-7/16 to 7	1	0.50	0.25	0.25	0.25	-	-	-	-

FEATURES/BENEFITS PAGE B14-2	SPECIFICATIONS PAGE B14-5	HOW TO ORDER/NOMENCLATURE PAGE B14-8	DIMENSIONS PAGE B14-30
---------------------------------	------------------------------	---	---------------------------



SELECTION

IMPERIAL - Spherical Roller Bearing

Table 1: IMPERIAL Spherical Roller Bearing

Shaft Size Inches	Basic Bearing Description	e	$F_A/F_R < e$		$F_A/F_R > e$		Adapter Maximum Thrust Load lbs.	Dynamic Capacity (C) lbs.	Static Capacity (Co) lbs.	Maximum Speed*		Maximum ISAF Expansion Capability Inches
			X	Y	X	Y				Labyrinth RPM	TRIDENT RPM	
1-1/8 1-3/16 1-1/4 1-3/8 1-7/16 1-1/2	22208	0.28	1.0	2.4	0.67	3.6	620	20,800	21,000	6,000	3,975	7/32
1-1/2 ** 1-5/8 1-11/16 1-3/4	22209	0.26	1.0	2.6	0.67	3.9	700	20,800	22,000	5,600	3,725	7/32
1-3/4 ** 1-7/8 1-15/16 2	22210	0.24	1.0	2.8	0.67	4.2	775	22,000	24,000	5,300	3,520	17/64
2-3/16 2-1/4	22211	0.23	1.0	2.9	0.67	4.3	930	27,000	29,000	4,500	3,000	7/32
2-1/4 ** 2-3/8 2-7/16 2-1/2	22213	0.24	1.0	2.8	0.67	4.2	1,360	39,000	47,500	3,800	2,400	5/16
2-11/16 2-3/4 2-15/16 3	22215	0.22	1.0	3.1	0.67	4.6	1,570	41,500	53,000	3,400	2,250	15/64
3-3/16 3-1/4 3-7/16 3-1/2	22218	0.23	1.0	2.9	0.67	4.3	2,430	65,500	81,500	2,600	1,825	3/8
3-11/16 3-15/16 4	22220	0.24	1.0	2.8	0.67	4.2	3,100	83,000	104,000	2,200	1,530	3/8
4-7/16 4-1/2	22222	0.25	1.0	2.7	0.67	4.0	3,930	104,000	132,000	2,000	1,325	3/8
4-15/16 5	22226	0.26	1.0	2.6	0.67	3.9	5,610	146,000	196,000	1,800	1,175	3/8
5-7/16 5-1/2	22228	0.25	1.0	2.7	0.67	4.0	6,419	166,000	236,000	1,700	1,100	3/8
5-15/16 6	22232	0.26	1.0	2.6	0.67	3.9	8,630	220,000	315,000	1,500	975	3/8
6-7/16 6-1/2 6-15/16 7	22236	0.25	1.0	2.7	0.67	4.0	10,437	260,000	375,000	1,300	845	3/8

* Maximum grease speed is dependent on load and ambient conditions, consult Dodge Engineering

** IMPERIAL - Type E Dimensional Housing

Bearing Reference Guide
 E-Family Roller Bearings
 Specialty Tapered Products
 S-2000
 UNISPHERE II
 IMPERIAL
 UNIFIED SAF

FEATURES/BENEFITS PAGE B14-2	SPECIFICATIONS PAGE B14-5	HOW TO ORDER/NOMENCLATURE PAGE B14-8	DIMENSIONS PAGE B14-30
---------------------------------	------------------------------	---	---------------------------



SELECTION

IMPERIAL - Spherical Roller Bearing

Table 2: Allowable Equivalent Radial Load Rating (lbs) at Various Revolutions per Minute

Size Inches	L ₁₀ Life Hours	Allowable Equivalent Radial Load Rating (lbs.) at Various Revolutions per Minute																					
		50	100	150	250	500	750	1,000	1,300	1,500	1,700	1,800	2,000	2,200	2,600	2,750	3,000	3,400	3,800	4,500	5,300	5600	6000
1-1/8 to 1-1/2	10,000	7498	6090	5393	4626	3758	3327	3052	2821	2703	2603	2559	2479	2409	2292	2253	2195	2114	2045	1944	1851	1820	1783
	30,000	5393	4380	3878	3327	2703	2393	2195	2029	1944	1872	1840	1783	1733	1648	1621	1579	1521	1471	1398	1331	1309	1282
	40,000	4947	4018	3558	3052	2479	2195	2014	1861	1783	1717	1688	1636	1590	1512	1487	1448	1395	1349	1282	1221	1201	1176
	60,000	4380	3558	3150	2703	2195	1944	1783	1648	1579	1521	1495	1448	1408	1339	1316	1282	1235	1195	1136	1081	1064	1042
100,000	3758	3052	2703	2319	1883	1668	1530	1414	1355	1305	1282	1243	1208	1149	1129	1100	1060	1025	974	928	912	894	
*1-1/2 to 1-11/16	10,000	7,498	6,090	5,393	4,626	3,758	3,327	3,052	2,821	2,703	2,603	2,559	2,479	2,409	2,292	2,253	2,195	2,114	2,045	1,944	1,851	1,820	
	30,000	5,393	4,380	3,878	3,327	2,703	2,393	2,195	2,029	1,944	1,872	1,840	1,783	1,733	1,648	1,621	1,579	1,521	1,471	1,398	1,331	1,309	
	40,000	4,947	4,018	3,558	3,052	2,479	2,195	2,014	1,861	1,783	1,717	1,688	1,636	1,590	1,512	1,487	1,448	1,395	1,349	1,282	1,221	1,201	
	60,000	4,380	3,558	3,150	2,703	2,195	1,944	1,783	1,648	1,579	1,521	1,495	1,448	1,407	1,339	1,316	1,282	1,235	1,195	1,136	1,081	1,063	
100,000	3,758	3,052	2,703	2,319	1,883	1,668	1,530	1,414	1,355	1,305	1,282	1,243	1,208	1,148	1,129	1,100	1,060	1,025	974	928	912		
*1-3/4 to 1-15/16	10,000	7,930	6,441	5,704	4,893	3,975	3,519	3,228	2,984	2,859	2,753	2,706	2,622	2,548	2,424	2,383	2,322	2,253	2,163	2,056	1,957		
	30,000	5,704	4,633	4,102	3,519	2,859	2,531	2,322	2,146	2,056	1,980	1,947	1,886	1,833	1,743	1,714	1,670	1,608	1,556	1,479	1,408		
	40,000	5,232	4,250	3,763	3,228	2,622	2,322	2,130	1,969	1,886	1,816	1,786	1,730	1,681	1,599	1,572	1,532	1,475	1,427	1,356	1,291		
	60,000	4,633	3,763	3,332	2,859	2,322	2,056	1,886	1,743	1,670	1,608	1,581	1,532	1,489	1,416	1,392	1,356	1,306	1,264	1,201	1,144		
100,000	3,975	3,228	2,859	2,452	1,992	1,764	1,618	1,496	1,433	1,380	1,356	1,314	1,277	1,215	1,194	1,164	1,121	1,084	1,030	981			
2-3/16 to 2-1/4	10,000	9,733	7,905	7,000	6,005	4,878	4,319	3,962	3,662	3,508	3,379	3,322	3,218	3,127	2,975	2,925	2,859	2,745	2,655	2,523			
	30,000	7,000	5,686	5,035	4,319	3,508	3,106	2,850	2,634	2,523	2,430	2,389	2,315	2,249	2,139	2,104	2,050	1,974	1,909	1,815			
	40,000	6,421	5,216	4,618	3,962	3,218	2,850	2,614	2,416	2,315	2,229	2,191	2,123	2,063	1,963	1,930	1,880	1,811	1,751	1,665			
	60,000	5,686	4,618	4,089	3,508	2,850	2,523	2,315	2,139	2,050	1,974	1,940	1,880	1,827	1,738	1,709	1,665	1,603	1,551	1,474			
100,000	4,878	3,962	3,508	3,010	2,445	2,165	1,986	1,835	1,758	1,694	1,665	1,613	1,567	1,491	1,466	1,428	1,376	1,330	1,265				
*2-1/4 to 2-1/2	10,000	14,058	11,419	10,111	8,674	7,046	6,239	5,723	5,290	5,068	4,881	4,798	4,649	4,518	4,297	4,225	4,116	3,964	3,834				
	30,000	10,111	8,213	7,272	6,239	5,068	4,487	4,116	3,805	3,645	3,510	3,451	3,343	3,220	3,165	3,067	2,980	2,835	2,787	2,716	2,616	2,530	
	40,000	9,275	7,534	6,671	5,723	4,649	4,116	3,776	3,490	3,343	3,200	3,165	3,067	2,980	2,835	2,787	2,716	2,616	2,530				
	60,000	8,213	6,671	5,907	5,068	4,116	3,645	3,343	3,090	2,960	2,851	2,803	2,716	2,639	2,510	2,468	2,405	2,316	2,240				
100,000	7,046	5,723	5,068	4,348	3,531	3,127	2,868	2,651	2,540	2,446	2,405	2,330	2,264	2,153	2,118	2,063	1,987	1,922					
2-11/16 to 3	10,000	14,959	12,151	10,759	9,230	7,497	6,639	6,090	5,629	5,392	5,194	5,105	4,946	4,815	4,572	4,496	4,380	4,219					
	30,000	10,759	8,739	7,738	6,639	5,392	4,775	4,380	4,048	3,878	3,735	3,672	3,558	3,457	3,288	3,233	3,150	3,034					
	40,000	9,870	8,017	7,098	6,090	4,946	4,380	4,018	3,714	3,558	3,427	3,368	3,263	3,171	3,016	2,966	2,890	2,783					
	60,000	8,739	7,098	6,285	5,392	4,380	3,878	3,558	3,288	3,150	3,034	2,982	2,890	2,808	2,671	2,626	2,559	2,464					
100,000	7,497	6,090	5,392	4,626	3,758	3,327	3,052	2,821	2,703	2,603	2,559	2,479	2,409	2,291	2,253	2,195	2,114						
3-3/16 to 3-1/2	10,000	23,611	19,178	16,981	14,569	11,833	10,478	9,612	8,884	8,511	8,197	7,995	7,807	7,587	7,216								
	30,000	16,981	13,793	12,213	10,478	8,511	7,536	6,913	6,390	6,121	5,896	5,795	5,615	5,457	5,190								
	40,000	15,577	12,653	11,203	9,612	7,807	6,913	6,341	5,861	5,615	5,408	5,316	5,151	5,006	4,761								
	60,000	13,793	11,203	9,920	8,511	6,913	6,121	5,615	5,190	4,972	4,789	4,707	4,561	4,432	4,216								
100,000	11,833	9,612	8,511	7,302	5,931	5,251	4,817	4,453	4,266	4,108	4,038												

Only the labyrinth seal (L seal) may be used to the right of the heavy line.

For applications in the dark shaded area, the maximum load for the specific speed is shown. The load does not correspond to the L₁₀ shown at the left.

Applications in the light shaded area may require a high temperature lubrication, consult Dodge Engineering at (864) 297-4800

* IMPERIAL - Type E Dimensional Housing

FEATURES/BENEFITS PAGE B14-2	SPECIFICATIONS PAGE B14-5	HOW TO ORDER/NOMENCLATURE PAGE B14-8	DIMENSIONS PAGE B14-30
---------------------------------	------------------------------	---	---------------------------

SELECTION



IMPERIAL - Spherical Roller Bearing

Table 2: Allowable Equivalent Radial Load Rating (lbs) at Various Revolutions per Minute (continued)

Size Inches	L ₁₀ Life Hours	Allowable Equivalent Radial Load Rating (lbs.) at Various Revolutions per Minute																					
		50	100	150	250	500	750	1,000	1,300	1,500	1,700	1,800	2,000	2,200	2,600	2,750	3,000	3,400	3,800	4,500	5,300	5,600	6000
3-11/16 to 4	10,000	29,919	24,302	21,518	18,461	14,995	13,278	12,180	11,258	7,757	10,387	10,211	9,893	9,614									
	30,000	21,518	17,478	15,476	13,278	10,785	9,549	8,760	8,097	7,757	7,471	7,344	7,115	6,915									
	40,000	19,739	16,033	14,197	12,180	9,893	8,760	8,036	7,427	7,115	6,853	6,737	6,527	6,343									
	60,000	17,478	14,197	12,571	10,785	8,760	7,757	7,115	6,577	6,300	6,068	5,965	5,779	5,616									
100,000	14,995	12,180	10,785	9,252	7,515	6,655	6,104	5,642	5,405	5,206	5,117	4,958	4,818										
4-7/16 to 4-1/2	10,000	37,489	30,450	26,963	23,132	18,789	16,637	15,261	10,145	13,513	13,015	12,794	12,396										
	30,000	26,963	21,901	19,392	16,637	13,513	11,966	10,976	10,145	9,719	9,361	9,202	8,915										
	40,000	24,733	20,090	17,789	15,261	12,396	10,976	10,069	9,307	8,915	8,587	8,441	8,178										
	60,000	21,901	17,789	15,751	13,513	10,976	9,719	8,915	8,241	7,894	7,603	7,474	7,242										
100,000	18,789	15,261	13,513	11,593	9,417	8,338	7,649	7,070	6,773	6,523	6,412	6,213											
4-15/16 to 5	10,000	52,628	42,747	37,851	32,473	26,377	23,356	15,409	19,803	18,971	18,272	17,961											
	30,000	37,851	30,745	27,224	23,356	18,971	16,798	15,409	14,243	13,644	13,141	12,918											
	40,000	34,722	28,203	24,973	21,424	17,402	15,409	14,135	13,065	12,516	12,055	11,850											
	60,000	30,745	24,973	22,112	18,971	15,409	13,644	12,516	11,569	11,082	10,674	10,493											
100,000	26,377	21,424	18,971	16,275	13,220	11,706	10,738	9,925	9,508	9,157	9,002												
5-7/16 to 5-1/2	10,000	59,838	48,603	43,037	36,922	29,990	26,555	17,520	22,516	21,569	20,775												
	30,000	43,037	34,957	30,953	26,555	21,569	19,099	17,520	16,194	15,513	14,942												
	40,000	39,478	32,066	28,394	24,359	19,786	17,520	16,071	14,855	14,230	13,706												
	60,000	34,957	28,394	25,142	21,569	17,520	15,513	14,230	13,153	12,601	12,136												
100,000	29,990	24,359	21,569	18,505	15,031	13,309	12,209	11,284	10,810	10,412													
5-15/16 to 6	10,000	79,303	64,414	57,036	48,933	39,746	25,312	32,283	29,840	28,586													
	30,000	57,036	46,328	41,022	35,193	28,586	25,312	23,219	21,462	20,560													
	40,000	52,320	42,497	37,630	32,283	26,222	23,219	21,299	19,687	18,860													
	60,000	46,328	37,630	33,320	28,586	23,219	20,560	18,860	17,432	16,700													
100,000	39,746	32,283	28,586	24,524	19,920	17,638	16,180	14,955	14,327														
6-7/16 to 7	10,000	93,722	76,126	67,407	57,829	46,972	29,914	38,153	35,265														
	30,000	67,407	54,751	48,480	41,592	33,783	29,914	27,441	25,364														
	40,000	61,833	50,224	44,472	38,153	30,990	27,441	25,172	23,266														
	60,000	54,751	44,472	39,378	33,783	27,441	24,298	22,289	20,602														
100,000	46,972	38,153	33,783	28,983	23,542	20,845	19,122	17,675															

Only the labyrinth seal (L seal) may be used to the right of the heavy line.

For applications in the dark shaded area, the maximum load for the specific speed is shown. The load does not correspond to the L₁₀ shown at the left.

Applications in the light shaded area may require a high temperature lubrication, consult Dodge Engineering at (864) 284-5700.

FEATURES/BENEFITS PAGE B14-2	SPECIFICATIONS PAGE B14-5	HOW TO ORDER/NOMENCLATURE PAGE B14-8	DIMENSIONS PAGE B14-30
---------------------------------	------------------------------	---	---------------------------



SELECTION

IMPERIAL - Spherical Roller Bearing

Table 3: ISAF Pillow Block Hydraulic - Spherical Roller Bearings

Shaft Size Adapter Mounted Inches	Bearing Series	E	$F_A/F_R \leq e$		$F_A/F_R > e$		Adapter Maximum Allowable Thrust Load lbs. †	Dynamic Capacity (C) lbs.	Static Capacity (C ₀) lbs.	Maximum RPM
			X	Y	X	Y				
22200K Series										
5-7/16" 5-1/2" 140mm	22232K	.26	1	2.60	0.67	3.90	8630	260,000	315,000	1500
5-15/16" 6" 150mm	22234K	.26	1	2.60	0.67	3.90	9858	300,000	355,000	1300
6-7/16" 6-1/2" 160mm	22236K	.25	1	2.70	0.67	4.00	10437	308,000	375,000	1300
6-15/16" 7" 170mm	22238K	0.28	1	2.40	0.67	3.60	11786	270,000	415,000	1200
7-1/2" 7-15/16" 8" 200mm	22244K	.29	1	2.30	0.67	3.50	16020	365,000	550,000	950
23000K Series										
8-7/16" 8-1/2" 8-15/16" 9" 220mm	23048K	.25	1	2.70	0.67	4.10	14887	260,000	490,000	800
9-15/16" 10" 10-7/16" 10-1/2" 260mm	23056K	.25	1	2.70	0.67	4.10	20000	345,000	670,000	850
10-15/16" 11" 280mm	23060K	.25	1	2.70	.67	4.00	23875	440,000	820,000	630
12-7/16" 12-1/2" 320mm	23068K	.25	1	2.70	.67	4.00	30498	530,000	1,020,000	560
13-15/16" 14" 360mm	23076K	.24	1	2.80	.67	4.20	34598	570,000	1,190,000	500
15"	23080K	.24	1	2.80	.67	4.10	39926	680,000	1,390,000	450
23100K Series										
150mm	23134K	.28	1	2.40	.67	3.50	10090	232,000	375,000	1300
160mm	23136K	.29	1	2.30	.67	3.50	11650	270,000	430,000	1200
170mm	23138K	.30	1	2.30	.67	3.40	13320	305,000	490,000	1100
180mm	23140K	.35	1	2.00	.67	2.90	15100	300,000	510,000	900
200mm	23144K	.33	1	2.00	.67	3.00	17800	365,000	655,000	800
220mm	23148K	.33	1	2.10	.67	3.10	20710	415,000	735,000	750
9-7/16" 9-1/2" 240mm	23152K	.33	1	2.00	.67	3.00	19985	490,000	900,000	670
10-7/16" 10-1/2" 260mm	23156K	.32	1	2.10	.67	3.20	27571	530,000	980,000	630

FEATURES/BENEFITS PAGE B14-2	SPECIFICATIONS PAGE B14-5	HOW TO ORDER/NOMENCLATURE PAGE B14-8	DIMENSIONS PAGE B14-30
---------------------------------	------------------------------	---	---------------------------

SELECTION



IMPERIAL - Spherical Roller Bearing

Table 3: ISAF Pillow Block Hydraulic - Spherical Roller Bearings (Continued)

Shaft Size Adapter Mounted Inches	Bearing Series	E	$F_A/F_R \leq e$		$F_A/F_R > e$		Adapter Maximum Allowable Thrust Load lbs. †	Dynamic Capacity (C) lbs.	Static Capacity (C ₀) lbs.	Maximum RPM
			X	Y	X	Y				
10-15/16" 11" 280mm	23160K	.33	1	2.10	.67	3.10	32373	600,000	1,110,000	600
11-15/16" 12" 300mm	23164K	.34	1	2.00	.67	2.90	37984	720,000	1,340,000	530
12-7/16" 12-1/2" 320mm	23168K	.34	1	2.00	.67	2.90	43568	830,000	1,560,000	500
13-7/16" 13-1/2" 340mm	23172K	.33	1	2.10	.67	3.10	45617	850,000	1,660,000	480
13-15/16" 14" 360mm	23176K	.32	1	2.10	.67	3.20	49719	915,000	1,830,000	450

† If the thrust load exceeds adapter maximum allowable thrust load, auxiliary methods or carrying thrust are required
23100K series bearings will be provided with metric housing only

Bearing Reference
Guide

E-Family Roller
Bearings

Specialty Tapered
Products

S-2000

UNISPHERE II

IMPERIAL

UNIFIED SAF

FEATURES/BENEFITS PAGE B14-2	SPECIFICATIONS PAGE B14-5	HOW TO ORDER/NOMENCLATURE PAGE B14-8	DIMENSIONS PAGE B14-30
---------------------------------	------------------------------	---	---------------------------



SELECTION

IMPERIAL - Spherical Roller Bearing

Table 4: ISAF Large-Bore Hydraulic Assist Spherical Roller Bearings Selection Table

Shaft Size	Housing Designation	Bearing Series	Max RPM Grease Life	L ₁₀ Hours	Allowable Equivalent Radial Load Rating (lbs.) At Various RPM							
					50	100	150	200	250	300	400	500
22200K Series												
5-7/16"	532	22232K	1500	10,000	93,722	76,126	67,407	61,833	57,829	54,751	50,224	46,972
5-1/2"				30,000	67,407	54,751	48,480	44,472	41,592	39,378	36,122	33,783
140mm				60,000	54,751	44,472	39,378	36,122	33,783	31,985	29,340	27,441
5-15/16"	534	22234K	1300	10,000	108,140	87,837	77,777	71,346	66,726	63,175	57,591	54,199
6"				30,000	77,777	63,175	55,939	51,314	47,991	45,437	41,680	38,981
150mm				60,000	63,175	51,314	45,437	41,680	38,981	36,906	33,854	31,662
6-7/16"	536	22236K	1300	10,000	109,943	89,301	79,073	72,535	67,838	64,227	58,917	55,102
6-1/2"				30,000	79,073	64,227	56,871	52,169	48,791	46,194	42,374	39,631
160mm				60,000	64,227	52,169	46,194	42,374	39,631	37,521	34,419	32,190
6-15/16"	538	22238K	1200	10,000	97,326	79,053	69,999	64,211	60,054	56,857	52,156	48,779
7"				30,000	69,999	56,857	50,345	46,182	43,192	40,893	37,512	35,083
170mm				60,000	56,857	46,182	40,893	37,512	35,083	33,215	30,469	28,496
7-1/2"	544	22244K	950	10,000	131,571	106,869	94,629	86,804	81,184	76,862	70,507	65,942
7-15/16"				30,000	94,629	76,862	68,059	62,432	58,389	55,281	50,710	47,427
8"				60,000	76,862	62,432	55,281	50,710	47,427	44,902	41,190	38,522
200mm												
23000K Series												
8-7/16"	048	23048K	800	10,000	93,722	76,126	67,407	61,833	57,829	54,751	50,224	46,972
8-1/2"				30,000	67,407	54,751	48,480	44,472	41,592	39,378	36,122	33,783
8-15/16"				60,000	54,751	44,472	39,378	36,122	33,783	31,985	29,340	27,441
9"												
220mm												
9-15/16"	056	23056K	850	10,000	124,361	101,013	89,444	82,048	76,735	72,650	66,644	62,328
10"				30,000	89,444	72,651	64,330	59,010	55,190	52,252	47,932	44,828
10-7/16"				60,000	72,651	59,011	52,252	47,932	44,828	42,441	38,932	36,412
10-1/2"												
260mm												
10-15/16"	060	23060K	630	50,000	97,865	79,491	70,387	64,567	60,386	57,172	52,445	49,049
11"				80,000	84,995	69,037	61,130	56,076	52,445	49,653	45,548	42,598
280mm				100,000	79,491	64,567	57,172	52,445	49,049	46,438	42,598	39,840
12-7/16"	068	23068K	560	50,000	117,883	96,751	84,784	77,774	72,738	68,866	63,172	59,081
12-1/2"				80,000	102,380	83,158	73,634	67,546	63,172	59,809	54,864	51,312
320mm				100,000	94,751	77,774	68,866	63,172	59,081	55,937	51,312	47,989
13-15/16"	0076	23076K	500	50,000	126,780	102,977	91,183	83,643	78,227	74,064	67,940	
14"				80,000	110,107	89,435	79,191	72,643	67,940	64,323	59,005	
360mm				100,000	102,977	83,643	74,064	67,940	63,540	60,158	55,184	
15"	080	23080K	450	50,000	151,246	122,850	108,780	99,785	93,324	88,357	81,051	
380mm				80,000	131,355	106,694	94,474	86,662	81,051	76,737	70,392	
				100,000	122,850	99,785	88,357	81,051	75,803	71,768	65,834	
23100K Series												
150mm	3134	23134K	1300	50,000	51,603	41,914	37,113	34,044	31,840	30,145	27,653	25,862
				80,000	44,815	36,401	32,232	29,567	27,653	26,181	24,016	22,461
				100,000	41,914	34,044	30,145	27,653	25,862	24,485	22,461	21,007
160mm	3136	23136K	1200	50,000	60,054	48,779	43,192	39,621	37,055	35,083	32,182	30,098
				80,000	52,156	42,364	37,512	34,410	32,182	30,469	27,950	26,140
				100,000	48,779	39,621	35,083	32,182	30,098	28,496	26,140	24,447
170mm	3138	23138K	1100	50,000	67,838	55,102	48,791	44,757	41,859	39,631	36,354	34,000
				80,000	58,917	47,855	42,374	38,871	36,354	34,419	31,573	29,528
				100,000	55,102	44,757	39,630	36,354	34,000	32,190	29,528	27,616
180mm	3140	23140K	900	50,000	66,726	54,199	47,991	44,023	41,172	38,981	35,758	33,442
				80,000	57,951	47,071	41,680	38,233	35,758	33,854	31,055	29,044
				100,000	54,199	44,023	38,981	35,758	33,442	31,662	29,044	27,164

FEATURES/BENEFITS PAGE B14-2	SPECIFICATIONS PAGE B14-5	HOW TO ORDER/NOMENCLATURE PAGE B14-8	DIMENSIONS PAGE B14-30
---------------------------------	------------------------------	---	---------------------------

Bearing Reference Guide

E-Family Roller Bearings

Specialty Tapered Products

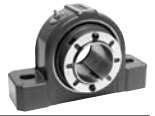
S-2000

UNISPHERE II

IMPERIAL

UNIFIED SAF

SELECTION



IMPERIAL - Spherical Roller Bearing

Table 4: ISAF Large-Bore Hydraulic Assist Spherical Roller Bearings Selection Table (Continued)

Shaft Size	Housing Designation	Bearing Series	Max RPM Grease Life	L ₁₀ Hours	Allowable Equivalent Radial Load Rating (lbs.) At Various RPM							
					550	600	650	700	750	950	1300	1500
22200K Series												
5-7/16"	532	22232K	1500	10,000	45,648	44,472	43,417	42,462	41,592	38,745	35,265	33,783
5-1/2"				30,000	32,831	31,985	31,226	30,540	29,914	27,866	25,364	24,298
140mm				60,000	26,667	25,980	25,364	24,806	24,298	22,364	20,602	19,736
5-15/16"	534	22234K	1300	10,000	52,671	51,314	50,096	48,995	47,991	44,706	40,691	
6"				30,000	37,882	36,906	36,030	35,238	34,518	32,153	29,266	
150mm				60,000	30,770	29,977	29,266	28,622	28,036	26,117	23,771	
6-7/16"	536	22236K	1300	10,000	53,549	52,169	50,931	49,811	48,791	45,451	41,369	
6-1/2"				30,000	38,513	37,521	36,631	35,825	35,092	32,689	29,753	
160mm				60,000	31,283	30,477	29,753	29,099	28,503	26,552	24,167	
6-15/16"	538	22238K	1200	10,000	47,404	46,182	45,087	44,095	43,192	40,235	36,622	
7"				30,000	34,094	33,215	32,427	31,714	31,065	28,938	26,339	
170mm				60,000	27,693	26,979	26,339	25,760	25,232	23,505	21,394	
7-1/2"	544	22244K	950	10,000	64,083	62,432	60,950	59,610	58,389	54,392		
7-15/16"				30,000	46,090	44,902	43,837	42,873	41,995	39,120		
200mm				60,000	37,427	36,472	35,607	34,824	34,110	31,775		
23000K Series												
8-7/16"	048	23048K	800	10,000	45,648	44,472	43,417	42,462	41,592	38,745		
8-1/2"				30,000	32,831	31,985	31,226	30,540	29,914	27,866		
8-15/16"				60,000	26,667	25,980	25,364	24,806	24,298	22,634		
9-15/16"	056	23056K	850	10,000	60,571	59,010	57,610	56,344	55,190			
10"				30,000	43,564	42,442	41,435	40,524	39,694			
10-7/16"				60,000	35,385	34,474	33,356	32,916				
10-1/2"	060	23060K	630	50,000	47,666	46,438	45,336					
11"				80,000	41,397	40,331	39,374					
280mm				100,000	38,717	37,719	36,284					
12-7/16"	068	23068K	560	50,000	57,416							
12-1/2"				80,000	49,665							
320mm				100,000	46,636							
13-15/16"	076	23076K	500	50,000								
14"				80,000								
360mm				100,000								
15"	080	23080K	450	50,000								
				80,000								
380mm				100,000								
23100K Series												
150mm	3134	23134K	1300	50,000	25,133	24,485	23,905	23,379	22,900	21,332	19,416	
				80,000	21,828	21,265	20,761	20,304	19,888	18,527	16,863	
				100,000	20,414	19,888	19,417	18,990	18,601	17,327	15,771	
160mm	3136	23136K	1200	50,000	29,250	28,496	27,820	27,208	26,651	24,826	22,597	
				80,000	25,403	24,748	24,161	23,630	23,146	21,561	19,625	
				100,000	23,758	23,146	22,597	22,100	21,647	20,165	18,354	
170mm	3138	23138K	1100	50,000	33,041	32,190	31,426	30,735	30,106	28,045	25,526	
				80,000	28,696	27,957	27,293	26,693	26,146	24,356	22,169	
				100,000	26,838	26,146	25,526	24,965	24,453	22,779	20,734	
180mm	3140	23140K	900	50,000	32,500	31,662	30,911	30,231	29,612	27,585		
				80,000	28,226	27,498	26,846	26,256	25,718	23,957		
				100,000	26,398	25,718	25,108	24,556	24,052	22,406		

FEATURES/BENEFITS PAGE B14-2	SPECIFICATIONS PAGE B14-5	HOW TO ORDER/NOMENCLATURE PAGE B14-8	DIMENSIONS PAGE B14-30
---------------------------------	------------------------------	---	---------------------------



SELECTION

IMPERIAL - Spherical Roller Bearing

Table 4: ISAF Large-Bore Hydraulic Assist Spherical Roller Bearings Selection Table (Continued)

Shaft Size	Housing Designation	Bearing Series	Max RPM Grease Life	L ₁₀ Hours	Allowable Equivalent Radial Load Rating (lbs.) At Various RPM							
					50	100	150	200	250	300	400	500
23100K Series (Continued)												
200mm	3144	23144K	800	50,000	81,184	65,942	58,389	53,561	50,093	47,427	43,505	40,688
				80,000	70,507	57,269	50,710	46,517	43,505	41,190	37,784	35,337
				100,000	65,942	53,561	47,427	43,505	40,688	38,522	35,337	33,049
220mm	3148	23148K	750	50,000	92,305	74,975	66,388	60,898	56,955	53,923	49,465	46,262
				80,000	80,165	65,115	57,657	52,889	49,465	46,832	42,960	40,178
				100,000	74,975	60,898	53,923	49,465	46,262	43,799	40,178	37,576
9-7/16"	3152	23152K	670	50,000	108,992	88,529	78,390	71,908	67,252	63,672	58,407	54,625
9-1/2"				80,000	94,658	76,886	68,080	62,451	58,407	55,299	50,726	47,442
240mm				100,000	88,529	71,908	63,672	58,407	54,625	51,718	47,442	44,370
10-7/16"	3156	23156K	630	50,000	117,883	95,751	84,784	77,774	72,738	68,866	63,172	59,081
10-1/2"				80,000	102,380	83,158	73,634	67,546	63,172	59,809	54,864	51,312
260mm				100,000	95,751	77,774	66,866	63,172	59,061	55,937	51,312	47,989
10-15/16"	3160	23160K	600	50,000	133,452	108,397	95,982	88,046	82,345	77,962	71,515	66,885
11"				80,000	115,902	94,142	83,359	76,467	71,515	67,709	62,110	58,089
280mm				100,000	108,397	88,046	77,962	71,515	66,885	63,325	58,089	54,327
11-15/16"	3164	23164K	530	50,000	160,143	130,076	115,178	105,655	98,814	93,554	85,818	80,262
12"				60,000	139,082	112,970	100,031	91,760	85,818	81,251	74,532	69,706
300mm				100,000	130,076	105,655	93,554	85,818	80,262	75,989	69,706	65,193
12-7/16"	3168	23168K	500	50,000	184,609	149,949	132,775	121,797	113,910	107,847	98,930	92,524
12-1/2"				80,000	160,331	130,229	115,314	105,779	98,930	93,664	85,919	80,356
320mm				100,000	149,949	121,797	107,847	96,930	92,524	87,599	80,356	75,153
13-7/16"	3172	23172K	480	50,000	189,058	153,562	135,975	124,732	116,655	110,446	101,313	94,753
13-1/2"				80,000	164,194	133,367	118,092	108,326	101,313	95,921	87,990	82,292
340mm				100,000	153,562	124,732	110,446	101,313	94,753	87,990	82,292	76,964
13-15/16"	3176	23176K	450	50,000	203,515	165,306	146,373	134,270	125,576	118,892	109,061	101,999
14"				80,000	176,750	143,566	127,123	116,612	109,061	103,256	94,718	88,585
360mm				100,000	165,306	134,270	118,892	109,061	101,999	96,570	88,585	82,649

FEATURES/BENEFITS PAGE B14-2	SPECIFICATIONS PAGE B14-5	HOW TO ORDER/NOMENCLATURE PAGE B14-8	DIMENSIONS PAGE B14-30
---------------------------------	------------------------------	---	---------------------------

Bearing Reference Guide

E-Family Roller Bearings

Specialty Tapered Products

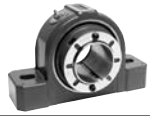
S-2000

UNISPHERE II

IMPERIAL

UNIFIED SAF

SELECTION



IMPERIAL - Spherical Roller Bearing

Table 4: ISAF Large-Bore Hydraulic Assist Spherical Roller Bearings Selection Table (Continued)

Shaft Size	Housing Designation	Bearing Series	Max RPM Grease Life	L ₁₀ Hours	Allowable Equivalent Radial Load Rating (lbs.) At Various RPM							
					550	600	650	700	750	950	1300	1500
23100K Series (Continued)												
200mm	3144	23144K	800	50,000	39,541	38,522	37,608	36,782	36,028			
				80,000	34,341	33,456	32,662	31,944	31,290			
				100,000	32,117	31,290	30,548	29,876	29,264			
220mm	3148	23148K	750	50,000	44,958	43,799	42,760	41,820	40,963			
				80,000	39,045	38,039	37,137	36,320	35,576			
				100,000	36,517	35,576	34,732	33,968	33,273			
9-7/16" 9-1/2"	3152	23152K	670	50,000	53,086	51,718	50,491	49,381	48,369			
240mm				80,000	46,104	44,916	43,851	42,886	42,008			
10-7/16"				100,000	43,119	42,008	41,011	40,110	39,288			
10-1/2" 260mm	3156	23156K	630	50,000	57,416	55,937	54,609	53,409	52,315			
10-15/16"				80,000	49,865	48,580	47,426	46,385	45,435			
11"				100,000	46,636	45,435	44,357	43,381	42,493			
280mm	3160	23160K	600	50,000	64,999	63,325	61,822	60,463	59,224			
11-15/16"				80,000	56,451	54,997	53,692	52,511	51,436			
12"				100,000	52,796	51,436	50,215	49,111	46,105			
300mm	3164	23164K	530	50,000	77,999	75,989	74,186					
12-7/16"				60,000	67,741	65,996	64,430					
12-1/2"				100,000	63,355	61,723	60,258					
320mm	3168	23168K	500	50,000	89,916	87,599						
13-7/16"				80,000	78,091	76,079						
13-1/2"				100,000	73,034	71,152						
340mm	3172	23172K	480	50,000	92,062	89,710						
13-15/16"				80,000	79,972	77,912						
14"				100,000	74,794	72,667						
360mm	3176	23176K	450	50,000	99,124							
				80,000	86,086							
				100,000	80,514							

Bearing Reference Guide

E-Family Roller Bearings

Specialty Tapered Products

S-2000

UNISPHERE II

IMPERIAL

UNIFIED SAF

FEATURES/BENEFITS PAGE B14-2	SPECIFICATIONS PAGE B14-5	HOW TO ORDER/NOMENCLATURE PAGE B14-8	DIMENSIONS PAGE B14-30
---------------------------------	------------------------------	---	---------------------------



SELECTION

IMPERIAL - IP Spherical Roller Bearings

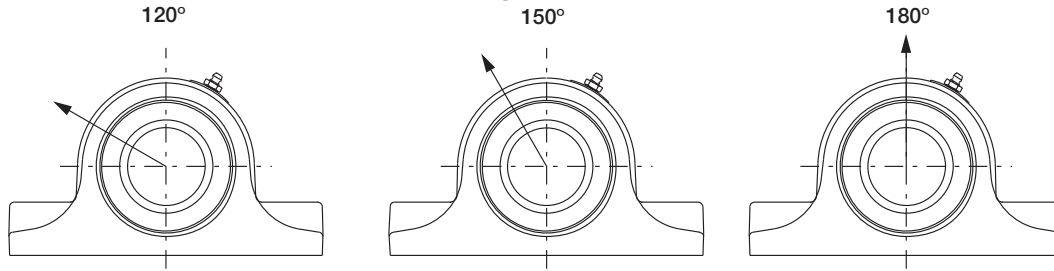


Table 5: IMPERIAL-IP 2-Bolt Pillow Block Housing Ratings*

Bore Size	Maximum Recommended Housing Cap Loads, lb		
	120°	150°	180°
1-1/8 to 1-1/2	2110	2640	3100
1-5/8 to 1-3/4	2380	2980	3500
1-7/8 to 2	3130	3910	4600
2-3/16 to 2-1/4	3330	4160	4900
2-3/8 to 2-1/2	3330	4160	4900
2-11/16 to 3	4420	5520	6500
3-3/16 to 3-1/2	4620	5780	6800
3-11/16 to 4	7500	9350	11000

Table 6: IMPERIAL-IP 4-Bolt Pillow Housing Ratings*

Bore Size	Maximum Recommended Housing Cap Loads, lb		
	120°	150°	180°
2-3/8 to 2-1/2	3810	4760	5600
2-11/16 to 3	4620	5780	6800
3-3/16 to 3-1/2	4700	5870	6900
3-11/16 to 4	7500	9350	11000
4-7/16 to 4-1/2	9900	12330	14500
4-15/16 to 5	13400	16750	19700

Table 7: IMPERIAL-ISN*

Bore Size	Maximum Recommended Housing Cap Loads, kN		
	120°	150°	180°
507			
508	9.4	11.7	13.8
509			
510	10.6	13.3	15.6
511	13.9	17.4	20.5
512	14.8	18.5	21.8
513			
515	14.8	18.5	21.8
516			
517	19.7	24.6	28.9
518			
519	20.6	25.7	30.2
520			
522	33.4	41.6	48.9
524	44	54.8	64.5
526			
528	59.6	74.5	87.6
530	67.2	84.1	99.0
532	89.8	112.5	132.3

* When utilizing heavy cap loads on pillow block housings; the installation must adhere to the following procedures:

1. The pillow block base bolts must be of high strength (Grade 8 or Class 10.9) bolts and properly tightened to mounting structure.
2. Stop bars (shear strips) should be used against the plummer block where side loads are encountered.
3. In all cases where loads are heavy, the L_{10} life of the bearing should be checked for proper selection and life requirements.

FEATURES/BENEFITS PAGE B14-2	SPECIFICATIONS PAGE B14-5	HOW TO ORDER/NOMENCLATURE PAGE B14-8	DIMENSIONS PAGE B14-30
---------------------------------	------------------------------	---	---------------------------

SELECTION



Imperial-HD

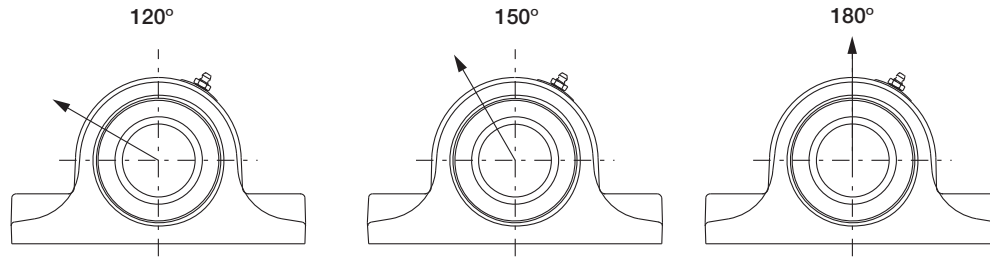


Table 8: Steel Housed Imperial - Housing Ratings*

Shaft Sizes	Basic Bearing Description	Maximum Recommended Housing Loads, lb	
		P2B	P4B
1-1/8	22208	24400	
1-3/16			
1-1/4			
1-3/8			
1-7/16			
1-1/2			
1-1/2**	22209	26400	
1-5/8			
1-11/16			
1-3/4			
1-3/4**	22210	30200	
1-15/16			
2			
2-3/16	22211	35400	
2-1/4			
2-1/4**	22213	51300	52800
2-3/8			
2-7/16			
2-1/2			
2-11/16	22215	59700	60000
2-3/4			
2-15/16			
3			
3-3/16	22218	90700	95500
3-1/4			
3-7/16			
3-1/2			
3-11/16	22220		115000
3-15/16			
4			
4-7/16	22222		152100
4-1/2			
4-15/16	22226		188200
5			

* It is important to note that the values listed above are housing fracture loads from various applied directions. These loads may exceed bearing, mounting bolt and/or shaft capacities. Applications subject to heavy housing loads, particularly shock loads, must adhere to the following procedures:

- (1) The pillow block base bolts must be of high strength (Grade 8) bolts and properly tightened to mounting structure.
- (2) Stop bars (shear strips) should be used against the plummer block where side loads are encountered.
- (3) In all cases where loads are heavy, the L_{10} life of the bearing should be checked for proper selection and life requirements.,

** Imperial - Type E Dimensional Housing

FEATURES/BENEFITS PAGE B14-2	SPECIFICATIONS PAGE B14-5	HOW TO ORDER/NOMENCLATURE PAGE B14-8	DIMENSIONS PAGE B14-30
---------------------------------	------------------------------	---	---------------------------



SELECTION

IMPERIAL - ISAF Spherical Roller Bearings

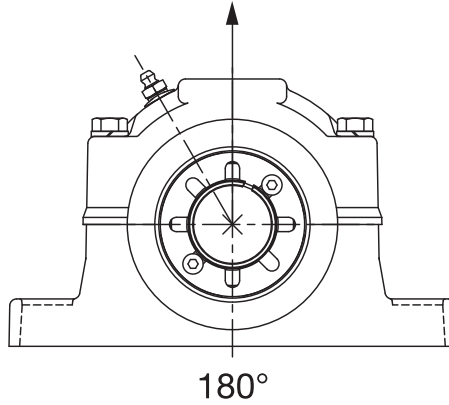


Table 9: ISAF Housing Rating*

Shaft Size (Inches)	Maximum Recommended Housing Cap Loads, Lbs
	180°
1-1/8 thru 1-1/2	4,600
1-5/8 thru 1-3/4	5,400
1-7/8 thru 2	7,875
2-3/16 thru 2-1/4	9,200
2-3/8 thru 2-1/2	9,220
2-11/16 thru 3	10,200
3-3/8 thru 3-1/2	14,700
3-11/16 thru 4	17,800
4-7/16 thru 4-1/2	18,300
4-15/16 thru 5	22,300
5-7/16 thru 5-1/2	25,100
5-15/16 thru 6	30,200
6-7/16 thru 7	35,300

* When utilizing heavy cap loads on pillow block housings; the installation must adhere to the following procedures:

1. The pillow block base bolts must be of high strength (Grade 8) bolts and properly tightened to mounting structure.
2. Stop bars (shear strips) should be used against the plummer block where side loads are encountered.
3. In all cases where loads are heavy, the L₁₀ life of the bearing should be checked for proper selection and life requirements.



IMPERIAL - ISAF Spherical Roller Bearings

**Table 10: Definition Of Operating Conditions
For Unitized Spherical Roller Bearings**

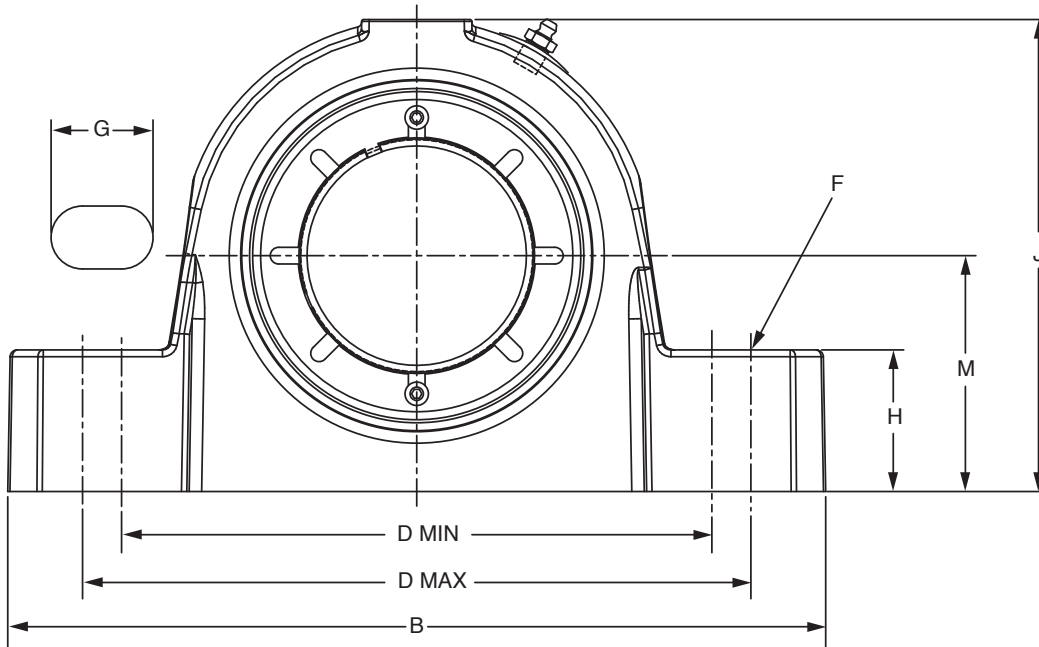
LOW SPEED MEDIUM SPEED HIGH SPEED	UP TO 20% OF MAX. RPM (TABLE 1 AND/OR TABLE 3) OVER 20% TO 80% OF MAX. RPM OVER 80% OF MAX. RPM
LIGHT LOAD NORMAL LOAD HEAVY LOAD	UP TO 8% OF C (TABLE 1 AND/OR TABLE 3) OVER 8% TO 18% OF C OVER 18% OF C C - DYNAMIC CAPACITY
LOW TEMPERATURE MEDIUM TEMPERATURE HIGH TEMPERATURE	20°F TO -100°F OVER 20°F TO 200°F OVER 200°F TO 250°F

FEATURES/BENEFITS PAGE B14-2	SPECIFICATIONS PAGE B14-5	HOW TO ORDER/NOMENCLATURE PAGE B14-8	DIMENSIONS PAGE B14-30
---------------------------------	------------------------------	---	---------------------------

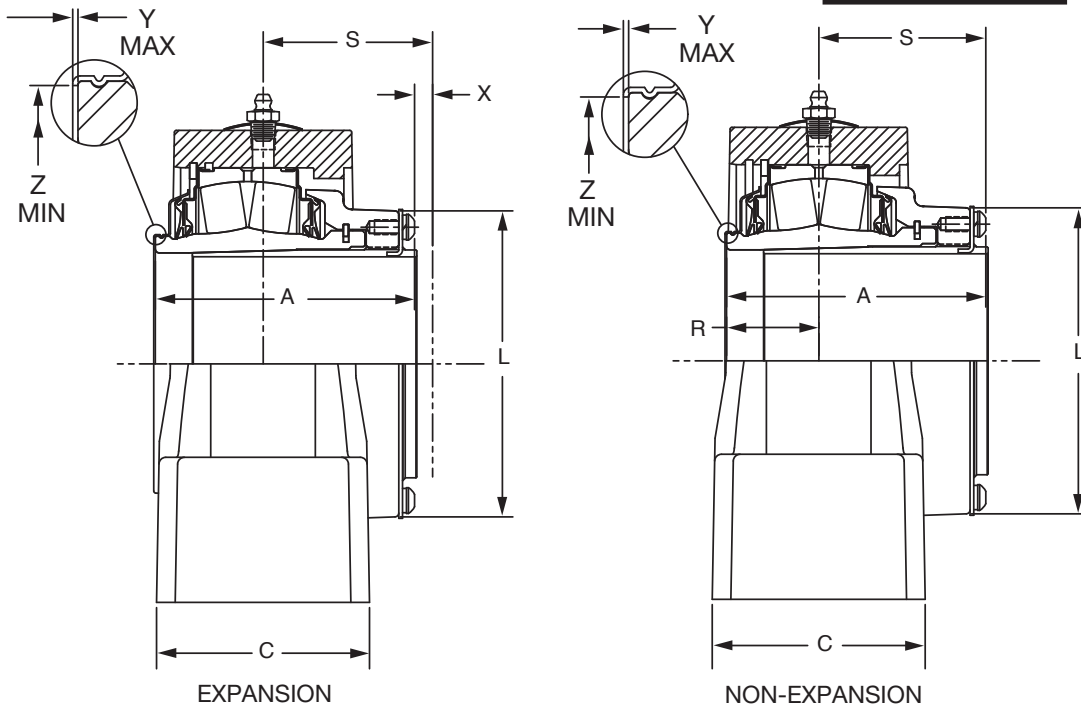


DIMENSIONS

IMPERIAL - IP Pillow Block
1-1/8 THRU 2-1/4 INCH - 2-BOLT



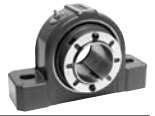
NOTE: All sizes use a 1/8-27 NPT hydraulic grease fitting



NOTE: See page B14-32 for 2-3/8 - 4 inch

FEATURES/BENEFITS PAGE B14-2	SPECIFICATIONS PAGE B14-5	HOW TO ORDER/NOMENCLATURE PAGE B14-8	SELECTION PAGE B14-14
---------------------------------	------------------------------	---	--------------------------

DIMENSIONS



IMPERIAL - IP Pillow Block 1-1/8 THRU 2-1/4 INCH - 2-BOLT

Bearing Reference Guide

E-Family Roller Bearings

Specialty Tapered Products

S-2000

UNISPHERE II

IMPERIAL

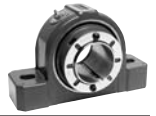
UNIFIED SAF

Bearing	Shaft Size Inch	TRIDENT Seal				Labyrinth Seal			
		Non-Expansion		Expansion		Non-Expansion		Expansion	
		Part No.	Part Name	Part No.	Part Name	Part No.	Part Name	Part No.	Part Name
22208	1-1/8	069400	P2B-IP-102R	069428	P2B-IP-102RE	069456	P2B-IP-102L	069484	P2B-IP-102LE
	1-3/16	069401	P2B-IP-103R	069429	P2B-IP-103RE	069457	P2B-IP-103L	069485	P2B-IP-103LE
	1-1/4	069402	P2B-IP-104R	069430	P2B-IP-104RE	069458	P2B-IP-104L	069486	P2B-IP-104LE
	1-3/8	069403	P2B-IP-106R	069431	P2B-IP-106RE	069459	P2B-IP-106L	069487	P2B-IP-106LE
	1-7/16	069404	P2B-IP-107R	069432	P2B-IP-107RE	069460	P2B-IP-107L	069488	P2B-IP-107LE
	1-1/2	069405	P2B-IP-108R	069433	P2B-IP-108RE	069461	P2B-IP-108L	069489	P2B-IP-108LE
22209	1-5/8	069406	P2B-IP-110R	069434	P2B-IP-110RE	069462	P2B-IP-110L	069490	P2B-IP-110LE
	1-11/16	069407	P2B-IP-111R	069435	P2B-IP-111RE	069463	P2B-IP-111L	069491	P2B-IP-111LE
	1-3/4	069408	P2B-IP-112R	069436	P2B-IP-112RE	069464	P2B-IP-112L	069492	P2B-IP-112LE
22210	1-7/8	069409	P2B-IP-114R	069437	P2B-IP-114RE	069465	P2B-IP-114L	069493	P2B-IP-114LE
	1-15/16	069410	P2B-IP-115R	069438	P2B-IP-115RE	069466	P2B-IP-115L	069494	P2B-IP-115LE
	2	069411	P2B-IP-200R	069439	P2B-IP-200RE	069467	P2B-IP-200L	069495	P2B-IP-200LE
22211	2-3/16	069412	P2B-IP-203R	069440	P2B-IP-203RE	069468	P2B-IP-203L	069496	P2B-IP-203LE
	2-1/4	069413	P2B-IP-204R	069441	P2B-IP-204RE	069469	P2B-IP-204L	069497	P2B-IP-204LE

Metric shaft sizes available upon request

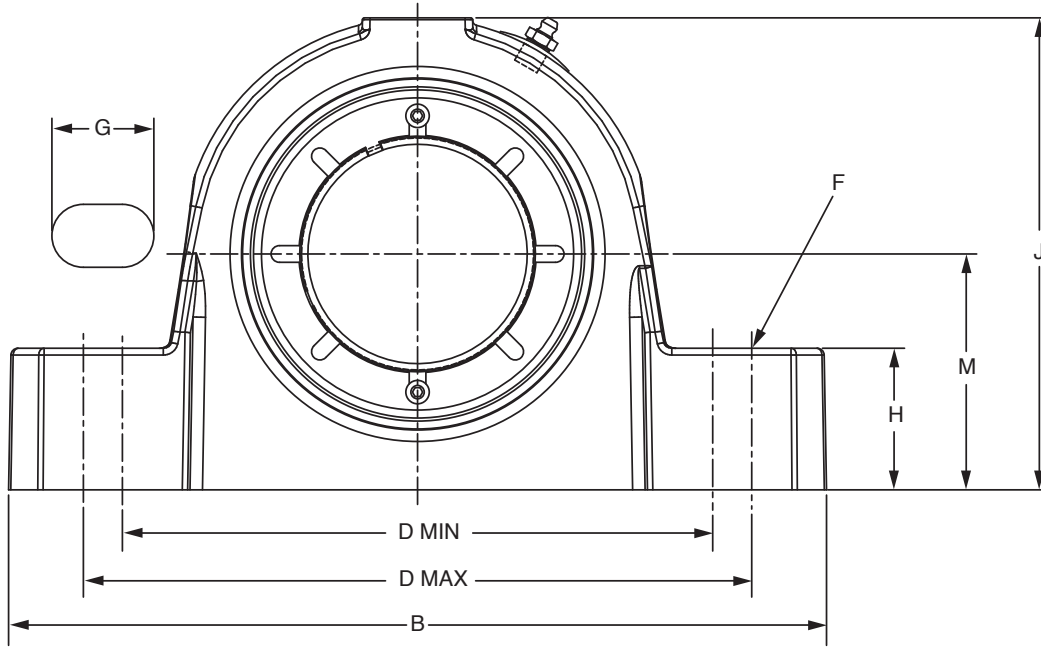
Shaft Size	A	B	C	D		F Bolt Dia.	G	H	J	L	M	R	S	X Total Exp.	Y	Z
				Min	Max											
1-1/8	2.63	6.80	1.95	4.81	5.20	1/2	0.81	1.13	3.88	2.72	1.88	0.88	1.75	3/16	0.02	1.80
1-3/16																
1-1/4																
1-3/8																
1-7/16																
1-1/2																
1-5/8	2.81	7.38	2.06	5.31	5.70	1/2	0.81	1.25	4.27	3.00	2.13	0.81	2.00	1/4	0.02	2.08
1-11/16																
1-3/4																
1-7/8	2.86	8.38	2.50	6.06	6.44	5/8	0.95	1.31	4.56	3.28	2.25	0.86	2.00	1/4	0.02	2.30
1-15/16																
2																
2-3/16	3.03	8.88	2.63	6.56	6.94	5/8	0.95	1.50	5.00	3.50	2.50	0.91	2.13	1/4	0.03	2.60
2-1/4																

FEATURES/BENEFITS PAGE B14-2	SPECIFICATIONS PAGE B14-5	HOW TO ORDER/NOMENCLATURE PAGE B14-8	SELECTION PAGE B14-14
---------------------------------	------------------------------	---	--------------------------

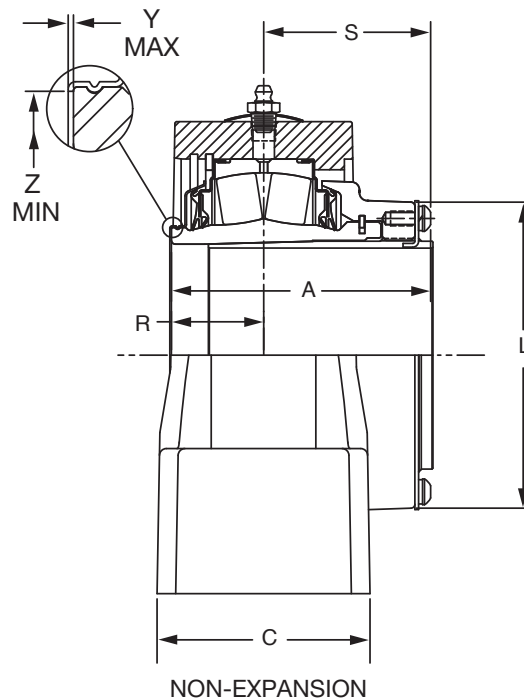
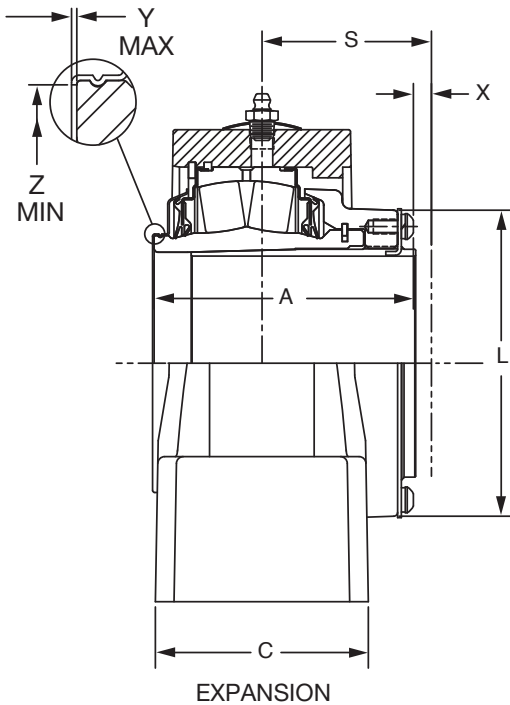


DIMENSIONS

**IMPERIAL - IP Pillow Block
2-3/8 THRU 4 INCH - 2-BOLT**



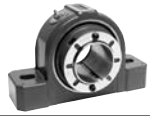
NOTE: All sizes use a 1/8-27 NPT hydraulic grease fitting



NOTE: See page B14-30 for 1-1/8 thru 2-1/4 inch

FEATURES/BENEFITS PAGE B14-2	SPECIFICATIONS PAGE B14-5	HOW TO ORDER/NOMENCLATURE PAGE B14-8	SELECTION PAGE B14-14
---------------------------------	------------------------------	---	--------------------------

DIMENSIONS



IMPERIAL - IP Pillow Block 2-3/8 THRU 4 INCH - 2-BOLT

Bearing Reference Guide

E-Family Roller Bearings

Specialty Tapered Products

S-2000

UNISPHERE II

IMPERIAL

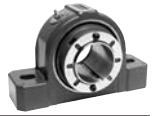
UNIFIED SAF

Bearing	Shaft Size Inch	TRIDENT Seal				Labyrinth Seal			
		Non-Expansion		Expansion		Non-Expansion		Expansion	
		Part No.	Part Name	Part No.	Part Name	Part No.	Part Name	Part No.	Part Name
22213	2-3/8	069414	P2B-IP-206R	069442	P2B-IP-206RE	069470	P2B-IP-206L	069498	P2B-IP-206LE
	2-7/16	069415	P2B-IP-207R	069443	P2B-IP-207RE	069471	P2B-IP-207L	069499	P2B-IP-207LE
	2-1/2	069416	P2B-IP-208R	069444	P2B-IP-208RE	069472	P2B-IP-208L	069500	P2B-IP-208LE
22215	2-11/16	069417	P2B-IP-211R	069445	P2B-IP-211RE	069473	P2B-IP-211L	069501	P2B-IP-211LE
	2-3/4	069418	P2B-IP-212R	069446	P2B-IP-212RE	069474	P2B-IP-212L	069502	P2B-IP-212LE
	2-15/16	069419	P2B-IP-215R	069447	P2B-IP-215RE	069475	P2B-IP-215L	069503	P2B-IP-215LE
	3	069420	P2B-IP-300R	069448	P2B-IP-300RE	069476	P2B-IP-300L	069504	P2B-IP-300LE
22218	3-3/16	069421	P2B-IP-303R	069449	P2B-IP-303RE	069477	P2B-IP-303L	069505	P2B-IP-303LE
	3-1/4	069422	P2B-IP-304R	069450	P2B-IP-304RE	069478	P2B-IP-304L	069506	P2B-IP-304LE
	3-7/16	069423	P2B-IP-307R	069451	P2B-IP-307RE	069479	P2B-IP-307L	069507	P2B-IP-307LE
	3-1/2	069424	P2B-IP-308R	069452	P2B-IP-308RE	069480	P2B-IP-308L	069508	P2B-IP-308LE
22220	3-11/16	069425	P2B-IP-311R	069453	P2B-IP-311RE	069481	P2B-IP-311L	069509	P2B-IP-311LE
	3-15/16	069426	P2B-IP-315R	069454	P2B-IP-315RE	069482	P2B-IP-315L	069510	P2B-IP-315LE
	4	069427	P2B-IP-400R	069455	P2B-IP-400RE	069483	P2B-IP-400L	069511	P2B-IP-400LE

Metric shaft sizes available upon request

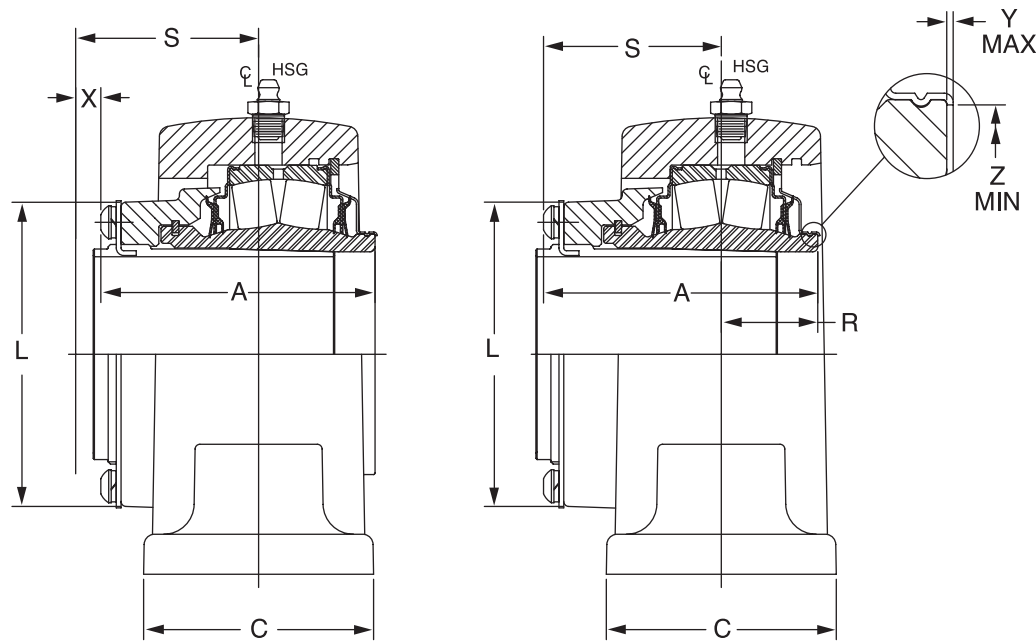
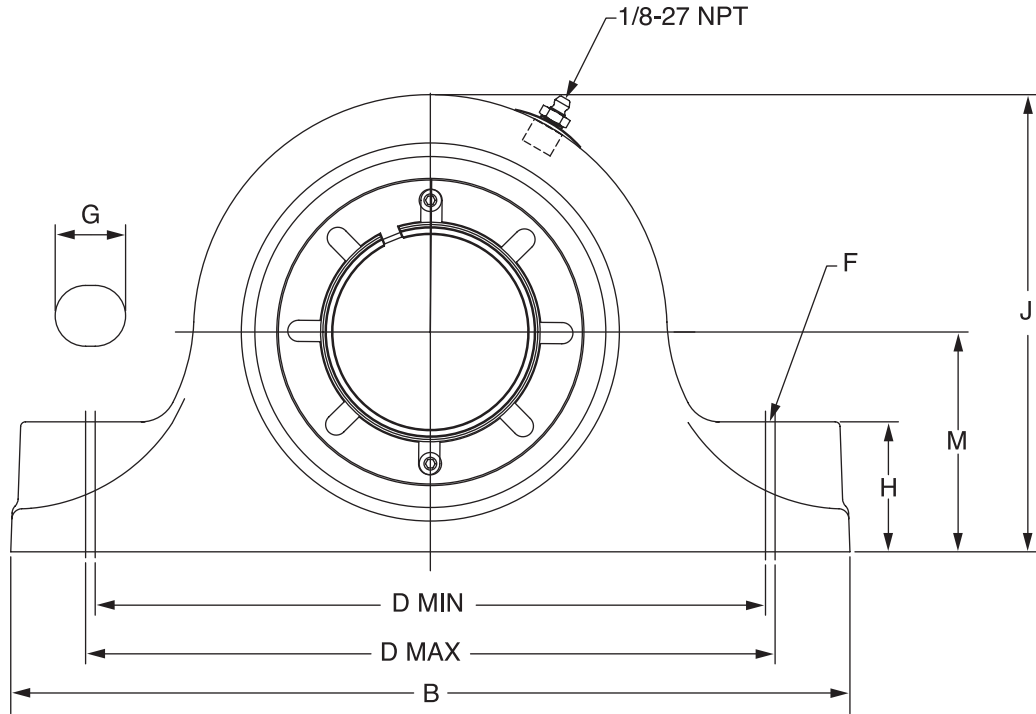
Shaft Size	A	B	C	D		F Bolt Dia.	G	H	J	L	M	R	S	X Total Exp.	Y	Z
				Min	Max											
2-3/8 2-7/16 2-1/2	3.42	9.25	2.86	6.94	7.31	5/8	0.95	1.63	5.59	3.88	2.75	1.20	2.22	1/4	0.03	2.94
2-11/16 2-3/4 2-15/16 3	3.50	10.44	3.08	7.94	8.31	3/4	1.06	1.88	6.38	4.28	3.25	1.23	2.27	1/4	0.03	3.47
3-3/16 3-1/4 3-7/16 3-1/2	4.17	13.00	3.42	9.38	10.63	7/8	1.63	2.25	7.50	5.00	3.75	1.48	2.69	1/4	0.03	4.05
3-11/16 3-15/16 4	4.70	15.25	3.91	10.63	12.80	1	2.25	2.44	8.38	5.56	4.25	1.64	3.06	5/16	0.03	4.50

FEATURES/BENEFITS PAGE B14-2	SPECIFICATIONS PAGE B14-5	HOW TO ORDER/NOMENCLATURE PAGE B14-8	SELECTION PAGE B14-14
---------------------------------	------------------------------	---	--------------------------



DIMENSIONS

IMPERIAL - IP Pillow Block with Type E Dimensions
1-3/8 THRU 2-3/16 INCH 2-BOLT



EXPANSION

NON-EXPANSION

NOTE: See page B14-36 for 2-1/4 thru 3-1/2 inch

FEATURES/BENEFITS PAGE B14-2	SPECIFICATIONS PAGE B14-5	HOW TO ORDER/NOMENCLATURE PAGE B14-8	SELECTION PAGE B14-14
---------------------------------	------------------------------	---	--------------------------

DIMENSIONS



IMPERIAL - IP Pillow Block with Type E Dimensions 1-3/8 THRU 2-3/16 INCH 2-BOLT

Bearing Reference Guide

E-Family Roller Bearings

Specialty Tapered Products

S-2000

UNISPHERE II

IMPERIAL

UNIFIED SAF

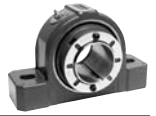
Bearing Series	Shaft Size*	TRIDENT Seal				Labyrinth Seal			
		Non-Expansion		Expansion		Non-Expansion		Expansion	
		Part No.	Part Name	Part No.	Part Name	Part No.	Part Name	Part No.	Part Name
22208	1- 3/8	071120	EP2B-IP-106R	071141	EP2B-IP-106RE	071162	EP2B-IP-106L	071183	EP2B-IP-106LE
	1-7/16	071121	EP2B-IP-107R	071142	EP2B-IP-107RE	071163	EP2B-IP-107L	071184	EP2B-IP-107LE
22209	1-1/2	071122	EP2B-IP-108R	071143	EP2B-IP-108RE	071164	EP2B-IP-108L	071185	EP2B-IP-108LE
	1-5/8	071123	EP2B-IP-110R	071144	EP2B-IP-110RE	071165	EP2B-IP-110L	071186	EP2B-IP-110LE
	1-11/16	071124	EP2B-IP-111R	071145	EP2B-IP-111RE	071166	EP2B-IP-111L	071187	EP2B-IP-111LE
22210	1-3/4	071125	EP2B-IP-112R	071146	EP2B-IP-112RE	071167	EP2B-IP-112L	071188	EP2B-IP-112LE
	1-7/8	071126	EP2B-IP-114R	071147	EP2B-IP-114RE	071168	EP2B-IP-114L	071189	EP2B-IP-114LE
	1-15/16	071127	EP2B-IP-115R	071148	EP2B-IP-115RE	071169	EP2B-IP-115L	071190	EP2B-IP-115LE
	2	071128	EP2B-IP-200R	071149	EP2B-IP-200RE	071170	EP2B-IP-200L	071191	EP2B-IP-200LE
22211	2-3/16	071129	EP2B-IP-203R	071150	EP2B-IP-203RE	071171	EP2B-IP-203L	071192	EP2B-IP-203LE

*Consult Dodge For Sizes Not Listed

Shaft Size	A	B #	C #	D		F Bolt Dia.	G #	H #	J #	L	M	R	S	X Total Exp.	Y	Z
				Min	Max											
1-3/8 1-7/16	2.63	7.37	2.12	5.63	5.88	1/2	0.75	1.13	3.85	2.72	1.875	1.04	1.59	5/32	0.02	1.80
1-1/2 1-5/8 1-11/16	2.81	7.88	2.38	6.13	6.38	1/2	0.75	1.25	4.25	3.00	2.125	0.98	1.83	3/16	0.02	2.08
1-3/4 1-7/8 1-15/16 2	2.86	8.87	2.49	6.88	7.12	5/8	0.88	1.31	4.47	3.28	2.250	1.10	1.76	7/32	0.02	2.30
2-3/16	3.03	9.62	2.56	7.63	7.88	5/8	0.88	1.50	5.00	3.50	2.500	1.06	1.97	1/4	0.03	2.60

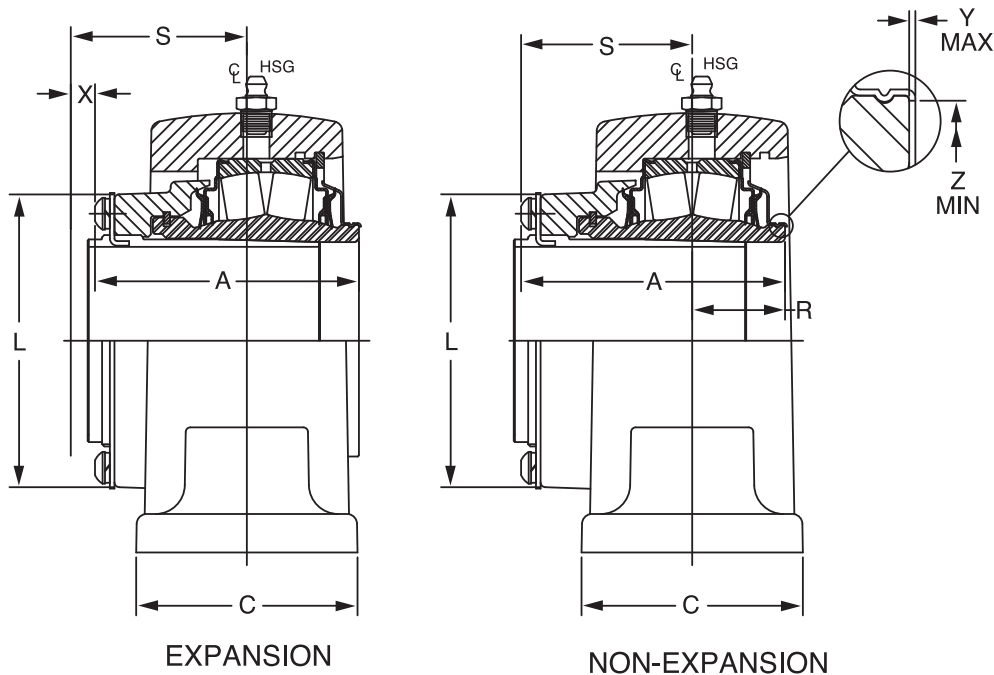
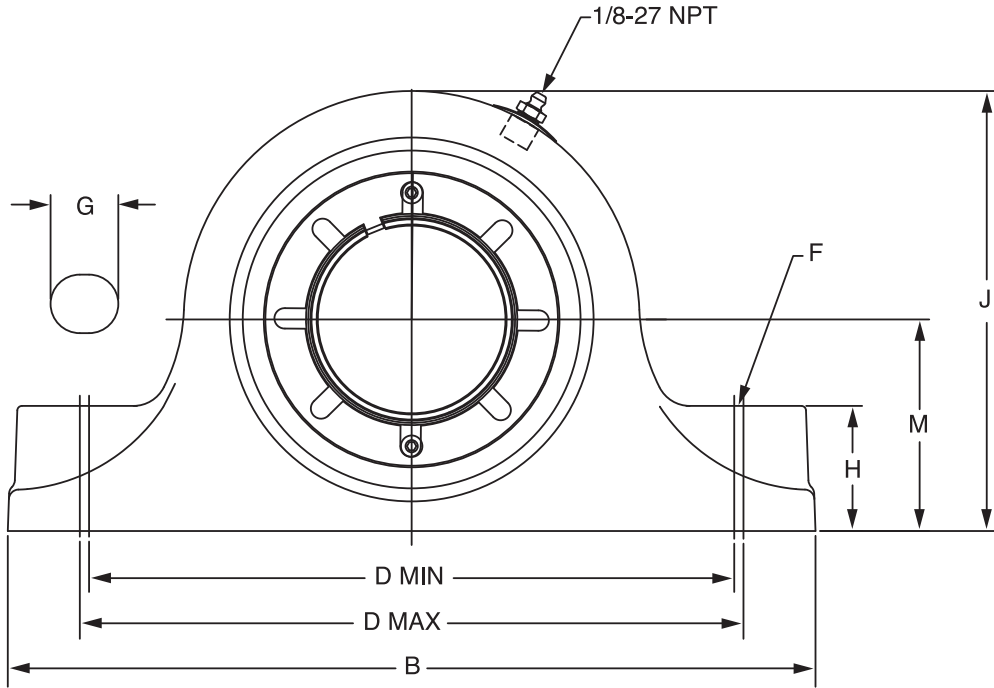
Notes: "A" And "R" Dimensions Do Not Include "Y" Dimension
Reference Dimension Only

FEATURES/BENEFITS PAGE B14-2	SPECIFICATIONS PAGE B14-5	HOW TO ORDER/NOMENCLATURE PAGE B14-8	SELECTION PAGE B14-14
---------------------------------	------------------------------	---	--------------------------



DIMENSIONS

**IMPERIAL - IP Pillow Block with Type E Dimensions
2-1/4 THRU 3-1/2 INCH 2-BOLT**



NOTE: See page B14-34 for 1-3/8 thru 2-3/16 inch

FEATURES/BENEFITS PAGE B14-2	SPECIFICATIONS PAGE B14-5	HOW TO ORDER/NOMENCLATURE PAGE B14-8	SELECTION PAGE B14-14
---------------------------------	------------------------------	---	--------------------------

DIMENSIONS



IMPERIAL - IP Pillow Block with Type E Dimensions 2-1/4 THRU 3-1/2 INCH 2-BOLT

Bearing Reference Guide
 E-Family Roller Bearings
 Specialty Tapered Products
 S-2000
 UNISPHERE II
 IMPERIAL
 UNIFIED SAF

Bearing Series	Shaft Size*	TRIDENT Seal				Labyrinth SEAL			
		Non-Expansion		Expansion		Non-Expansion		Expansion	
		Part No.	Part Name	Part No.	Part Name	Part No.	Part Name	Part No.	Part Name
22213	2-1/4	071130	EP2B-IP-204R	071151	EP2B-IP-204RE	071172	EP2B-IP-204L	071193	EP2B-IP-204LE
	2-7/16	071131	EP2B-IP-207R	071152	EP2B-IP-207RE	071173	EP2B-IP-207L	071194	EP2B-IP-207LE
	2-1/2	071132	EP2B-IP-208R	071153	EP2B-IP-208RE	071174	EP2B-IP-208L	071195	EP2B-IP-208LE
22215	2-11/16	071133	EP2B-IP-211R	071154	EP2B-IP-211RE	071175	EP2B-IP-211L	071196	EP2B-IP-211LE
	2-3/4	071134	EP2B-IP-212R	071155	EP2B-IP-212RE	071176	EP2B-IP-212L	071197	EP2B-IP-212LE
	2-15/16	071135	EP2B-IP-215R	071156	EP2B-IP-215RE	071177	EP2B-IP-215L	071198	EP2B-IP-215LE
	3	071136	EP2B-IP-300R	071157	EP2B-IP-300RE	071178	EP2B-IP-300L	071199	EP2B-IP-300LE
22218	3-3/16	071137	EP2B-IP-303R	071158	EP2B-IP-303RE	071179	EP2B-IP-303L	071200	EP2B-IP-303LE
	3-1/4	071138	EP2B-IP-304R	071159	EP2B-IP-304RE	071180	EP2B-IP-304L	071201	EP2B-IP-304LE
	3-7/16	071139	EP2B-IP-307R	071160	EP2B-IP-307RE	071181	EP2B-IP-307L	071202	EP2B-IP-307LE
	3-1/2	071140	EP2B-IP-308R	071161	EP2B-IP-308RE	071182	EP2B-IP-308L	071203	EP2B-IP-308LE

*Consult Dodge For Sizes Not Listed

Shaft Size	A	B #	C #	D		F Bolt Dia.	G #	H #	J #	L	M	R	S	X Total Exp.	Y	Z
				Min	Max											
2-1/4 2-7/16 2-1/2	3.42	10.50	2.87	8.38	8.62	5/8	0.88	1.63	5.71	3.88	2.750	1.20	2.22	1/4	0.03	2.95
2-11/16 2-3/4 2-15/16 3	3.50	12.00	2.99	9.31	9.69	3/4	1.07	1.88	6.32	4.28	3.125	1.35	2.15	1/4	0.03	3.47
3-3/16 3-1/4 3-7/16 3-1/2	4.17	14.00	3.49	10.81	11.19	7/8	1.19	2.25	7.69	5.00	3.750	1.51	2.66	1/4	0.03	4.05

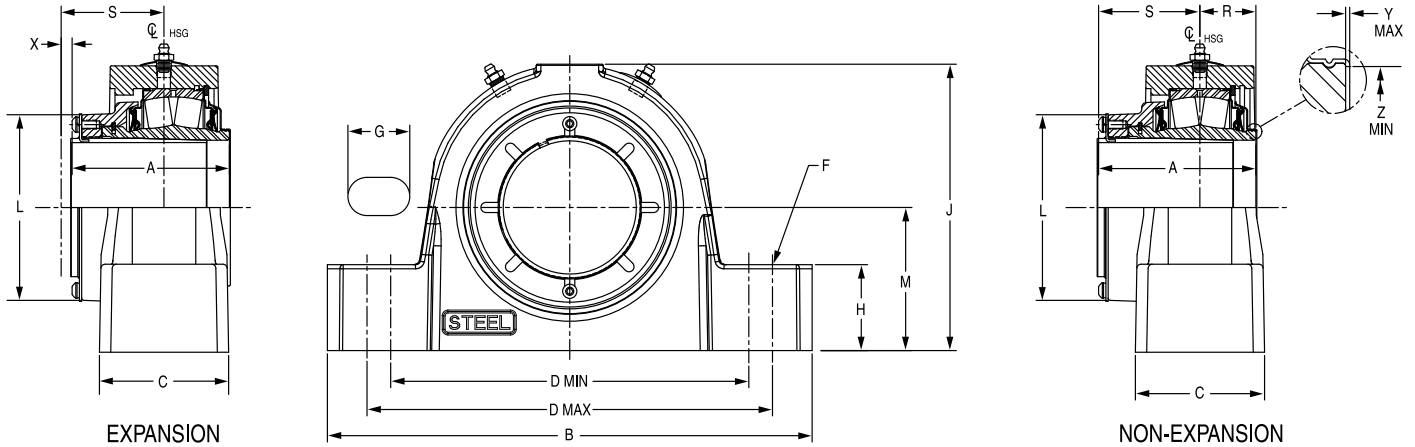
Notes: "A" And "R" Dimensions Do Not Include "Y" Dimension
Reference Dimension Only

FEATURES/BENEFITS PAGE B14-2	SPECIFICATIONS PAGE B14-5	HOW TO ORDER/NOMENCLATURE PAGE B14-8	SELECTION PAGE B14-14
---------------------------------	------------------------------	---	--------------------------



DIMENSIONS

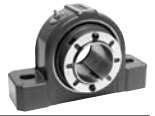
Steel IMPERIAL-HD Pillow Block 2-Bolt



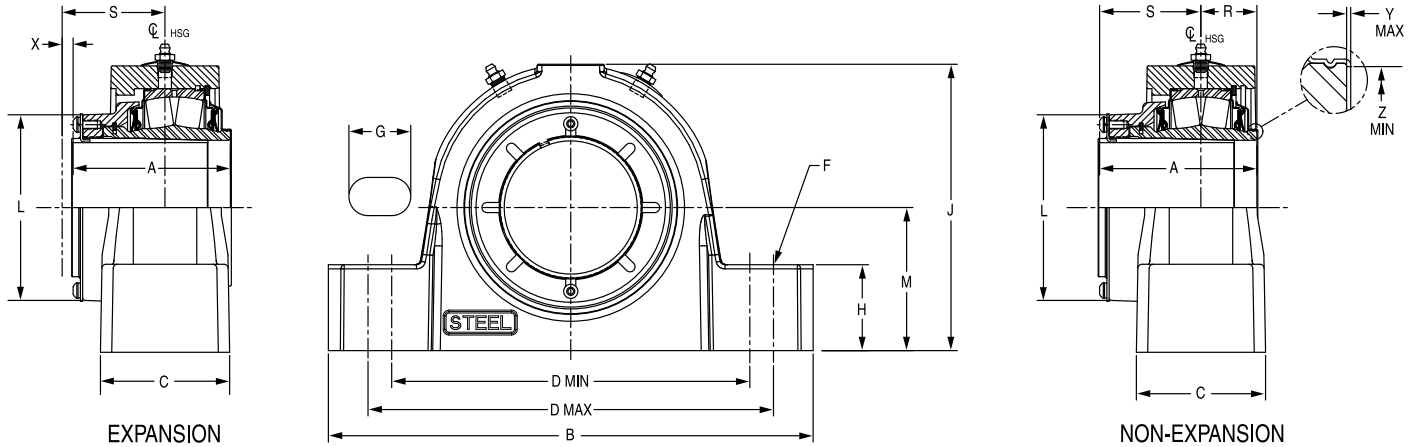
Shaft Size	Dodge Non-Expansion		Dodge Expansion	
	Part No.	Description	Part No.	Description
1-1/8	071650	SP2B-IP-102R	071678	SP2B-IP-102RE
1-3/16	071651	SP2B-IP-103R	071679	SP2B-IP-103RE
1-1/4	071652	SP2B-IP-104R	071680	SP2B-IP-104RE
1-3/8	071653	SP2B-IP-106R	071681	SP2B-IP-106RE
1-7/16	071654	SP2B-IP-107R	071682	SP2B-IP-107RE
1-1/2	071655	SP2B-IP-108R	071683	SP2B-IP-108RE
1-5/8	071656	SP2B-IP-110R	071684	SP2B-IP-110RE
1-11/16	071657	SP2B-IP-111R	071685	SP2B-IP-111RE
1-3/4	071658	SP2B-IP-112R	071686	SP2B-IP-112RE
1-7/8	071659	SP2B-IP-114R	071687	SP2B-IP-114RE
1-15/16	071660	SP2B-IP-115R	071688	SP2B-IP-115RE
2	071661	SP2B-IP-200R	071689	SP2B-IP-200RE
2-3/16	071662	SP2B-IP-203R	071690	SP2B-IP-203RE
2-1/4	071663	SP2B-IP-204R	071691	SP2B-IP-204RE
2-3/8	071664	SP2B-IP-206R	071692	SP2B-IP-206RE
2-7/16	071665	SP2B-IP-207R	071693	SP2B-IP-207RE
2-1/2	071666	SP2B-IP-208R	071694	SP2B-IP-208RE
2-11/16	071667	SP2B-IP-211R	071695	SP2B-IP-211RE
2-3/4	071668	SP2B-IP-212R	071696	SP2B-IP-212RE
2-15/16	071669	SP2B-IP-215R	071697	SP2B-IP-215RE
3	071670	SP2B-IP-300R	071698	SP2B-IP-300RE
3-3/16	071671	SP2B-IP-303R	071699	SP2B-IP-303RE
3-1/4	071672	SP2B-IP-304R	071700	SP2B-IP-304RE
3-7/16	071673	SP2B-IP-307R	071701	SP2B-IP-307RE
3-1/2	071674	SP2B-IP-308R	071702	SP2B-IP-308RE
3-11/16	071675	SP2B-IP-311R	071703	SP2B-IP-311RE
3-15/16	071676	SP2B-IP-315R	071704	SP2B-IP-315RE
4	071677	SP2B-IP-400R	071705	SP2B-IP-400RE

FEATURES/BENEFITS PAGE B14-2	SPECIFICATIONS PAGE B14-5	HOW TO ORDER/NOMENCLATURE PAGE B14-8	SELECTION PAGE B14-14
---------------------------------	------------------------------	---	--------------------------

DIMENSIONS



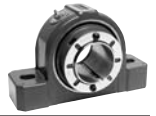
Steel IMPERIAL-HD Pillow Block 2-Bolt



Shaft Size	A	B	C	D		F Bolt Dia.	G	H	J	L	M	R	S	X Total Exp	Y	Z
				Min	Max											
1-1/8 1-3/16 1-1/4 1-3/8 1-7/16 1-1/2	2.63	6.88	2.25	4.69	6.00	1/2	1.28	1.13	3.88	2.72	1.875	0.86	1.77	3/16	0.02	1.80
1-5/8 1-11/16 1-3/4	2.81	7.13	2.37	5.25	5.75	1/2	0.88	1.25	4.27	3.00	2.125	0.92	1.89	1/4	0.02	2.08
1-7/8 1-15/16 2	2.86	8.38	2.44	5.93	6.36	5/8	0.97	1.31	4.56	3.28	2.25	0.90	1.96	1/4	0.02	2.30
2-3/16 2-1/4	3.03	8.88	2.50	6.50	7.06	5/8	1.04	1.50	5.00	3.50	2.50	0.99	2.04	1/4	0.03	2.59
2-3/8 2-7/16 2-1/2	3.42	9.25	2.90	6.81	7.43	5/8	1.07	1.63	5.60	3.88	2.75	1.17	2.25	1/4	0.03	2.94
2-11/16 2-3/4 2-15/16 3	3.50	10.44	2.91	7.70	8.40	3/4	1.23	1.88	6.38	4.28	3.25	1.12	2.37	1/4	0.03	3.47
3-3/16 3-1/4 3-7/16 3-1/2	4.17	13.00	3.41	9.25	10.75	7/8	1.75	2.25	7.50	5.00	3.75	1.53	2.63	1/4	0.03	4.05
3-11/16 3-15/16 4	4.70	14.25	3.89	10.04	12.60	1	2.40	2.44	8.37	5.56	4.25	1.70	3.00	5/16	0.03	4.50

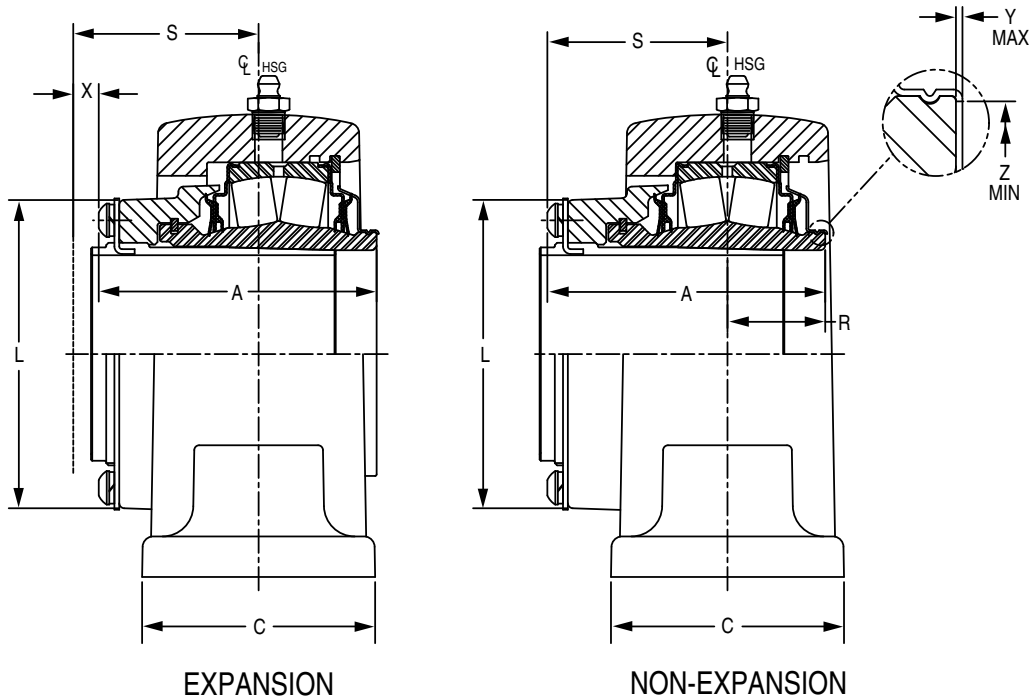
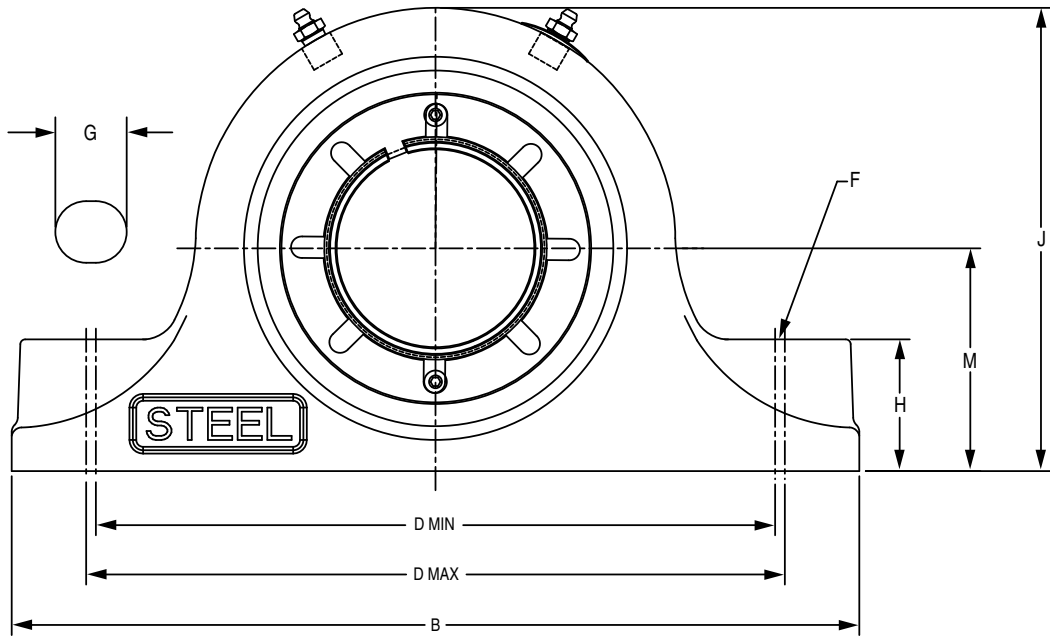
"A" & "R" Dimensions Do Not Include "Y" Dimension

FEATURES/BENEFITS PAGE B14-2	SPECIFICATIONS PAGE B14-5	HOW TO ORDER/NOMENCLATURE PAGE B14-8	SELECTION PAGE B14-14
---------------------------------	------------------------------	---	--------------------------



DIMENSIONS

Steel IMPERIAL-HD Pillow Block 2-Bolt with Type E Dimensions



DIMENSIONS



Steel IMPERIAL-HD Pillow Block 2-Bolt with Type E Dimensions

Bearing Reference Guide

E-Family Roller Bearings

Specialty Tapered Products

S-2000

UNISPHERE II

IMPERIAL

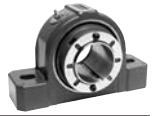
UNIFIED SAF

Shaft Size	Dodge Non-Expansion		Dodge Expansion	
	Part No.	Description	Part No.	Description
1-3/8	071864	SEP2B-IP-106R	071885	SEP2B-IP-106RE
1-7/16	071865	SEP2B-IP-107R	071886	SEP2B-IP-107RE
1-1/2	071866	SEP2B-IP-108R	071887	SEP2B-IP-108RE
1-5/8	071867	SEP2B-IP-110R	071888	SEP2B-IP-110RE
1-11/16	071868	SEP2B-IP-111R	071889	SEP2B-IP-111RE
1-3/4	071869	SEP2B-IP-112R	071890	SEP2B-IP-112RE
1-7/8	071870	SEP2B-IP-114R	071891	SEP2B-IP-114RE
1-15/16	071871	SEP2B-IP-115R	071892	SEP2B-IP-115RE
2	071872	SEP2B-IP-200R	071893	SEP2B-IP-200RE
2-3/16	071873	SEP2B-IP-203R	071894	SEP2B-IP-203RE
2-1/4	071874	SEP2B-IP-204R	071895	SEP2B-IP-204RE
2-7/16	071875	SEP2B-IP-207R	071896	SEP2B-IP-207RE
2-1/2	071876	SEP2B-IP-208R	071897	SEP2B-IP-208RE
2-11/16	071877	SEP2B-IP-211R	071898	SEP2B-IP-211RE
2-3/4	071878	SEP2B-IP-212R	071899	SEP2B-IP-212RE
2-15/16	071879	SEP2B-IP-215R	071900	SEP2B-IP-215RE
3	071880	SEP2B-IP-300R	071901	SEP2B-IP-300RE
3-3/16	071881	SEP2B-IP-303R	071902	SEP2B-IP-303RE
3-1/4	071882	SEP2B-IP-304R	071903	SEP2B-IP-304RE
3-7/16	071883	SEP2B-IP-307R	071904	SEP2B-IP-307RE
3-1/2	071884	SEP2B-IP-308R	071905	SEP2B-IP-308RE

Shaft Size	A	B	C	D		F Bolt Dia	G	H	J	L	M	R	S	X Total Exp	Y	Z
				Min	Max											
1-3/8	2.63	6.88	2.25	4.69	5.88	1/2	1.22	1.13	3.84	2.72	1.875	1.04	1.59	5/32	0.02	1.80
1-7/16																
1-1/2	2.81	7.88	2.38	5.7	6.5	1/2	1.02	1.25	4.26	3	2.125	0.96	1.83	3/16	0.02	2.08
1-5/8																
1-11/16																
1-3/4	2.86	8.88	2.44	6	7.12	5/8	1.32	1.31	4.47	3.28	2.250	1.10	1.76	3/32	0.02	2.30
1-7/8																
1-15/16																
2																
2-3/16	3.03	9.63	2.50	6.50	7.88	5/8	1.45	1.50	.00	3.50	2.500	1.06	1.97	1/4	0.03	2.60
2-1/4																
2-7/16	3.42	10.25	2.9	6.88	8.62	5/8	1.63	1.63	5.71	3.88	2.75	1.2	2.22	1/4	0.03	2.95
2-1/2																
2-11/16																
2-3/4	3.50	11.63	2.91	7.88	9.62	3/4	1.75	1.88	6.32	4.28	3.125	1.35	2.15	1/4	0.03	3.47
2-15/16																
3																
3-3/16	4.17	13.5	3.41	9.38	11.25	7/8	1.94	2.25	7.69	5	3.75	1.51	2.66	1/4	0.03	4.05
3-1/4																
3-7/16																
3-1/2																

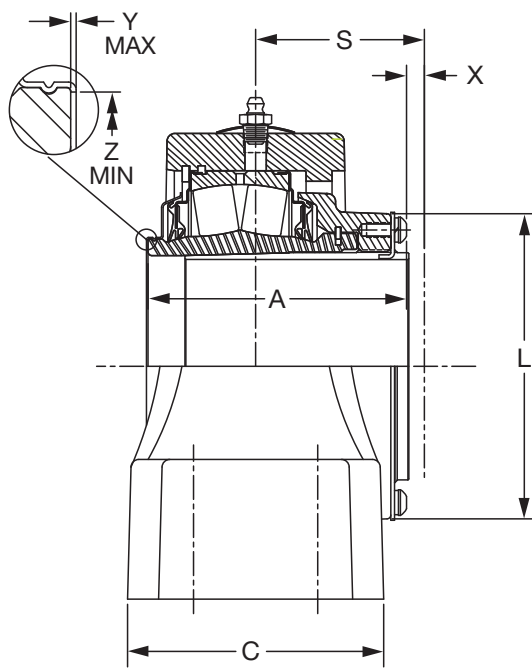
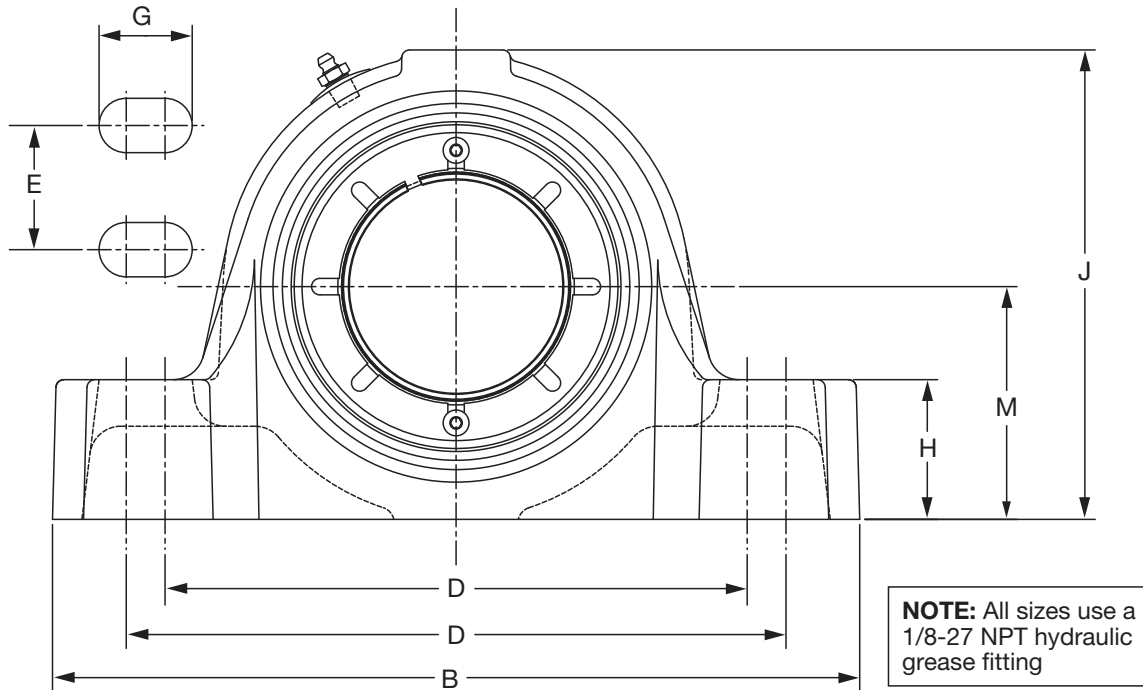
A & *R* Dimensions Do Not Include *Y* Dimension

FEATURES/BENEFITS PAGE B14-2	SPECIFICATIONS PAGE B14-5	HOW TO ORDER/NOMENCLATURE PAGE B14-8	SELECTION PAGE B14-14
---------------------------------	------------------------------	---	--------------------------

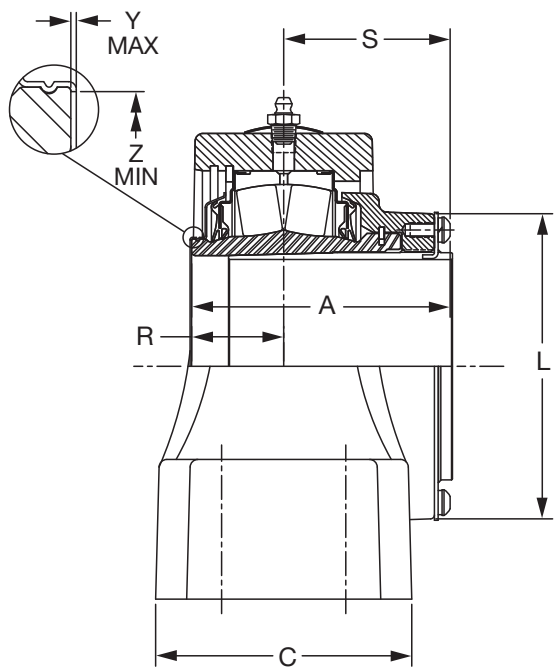


DIMENSIONS

**IMPERIAL - IP Pillow Block
2-3/8 THRU 3-1/2 INCH - 4-BOLT**



EXPANSION



NON-EXPANSION

NOTE: See page B14-44 for 3-11/16 thru 5 inch

FEATURES/BENEFITS PAGE B14-2	SPECIFICATIONS PAGE B14-5	HOW TO ORDER/NOMENCLATURE PAGE B14-8	SELECTION PAGE B14-14
---------------------------------	------------------------------	---	--------------------------



DIMENSIONS

IMPERIAL - IP Pillow Block 2-3/8 THRU 3-1/2 INCH - 4-BOLT

Bearing Reference Guide

E-Family Roller Bearings

Specialty Tapered Products

S-2000

UNISPHERE II

IMPERIAL

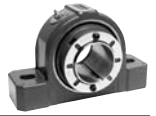
UNIFIED SAF

Bearing	Shaft Size Inch	TRIDENT Seal				Labyrinth Seal			
		Non-Expansion		Expansion		Non-Expansion		Expansion	
		Part No.	Part Name	Part No.	Part Name	Part No.	Part Name	Part No.	Part Name
22213	2-3/8	069520	P4B-IP-206R	069538	P4B-IP-206RE	069556	P4B-IP-206L	069574	P4B-IP-206LE
	2-7/16	069521	P4B-IP-207R	069539	P4B-IP-207RE	069557	P4B-IP-207L	069575	P4B-IP-207LE
	2-1/2	069522	P4B-IP-208R	069540	P4B-IP-208RE	069558	P4B-IP-208L	069576	P4B-IP-208LE
22215	2-11/16	069523	P4B-IP-211R	069541	P4B-IP-211RE	069559	P4B-IP-211L	069577	P4B-IP-211LE
	2-3/4	069524	P4B-IP-212R	069542	P4B-IP-212RE	069560	P4B-IP-212L	069578	P4B-IP-212LE
	2-15/16	069525	P4B-IP-215R	069543	P4B-IP-215RE	069561	P4B-IP-215L	069579	P4B-IP-215LE
	3	069526	P4B-IP-300R	069544	P4B-IP-300RE	069562	P4B-IP-300L	069580	P4B-IP-300LE
22218	3-3/16	069527	P4B-IP-303R	069545	P4B-IP-303RE	069563	P4B-IP-303L	069581	P4B-IP-303LE
	3-1/4	069528	P4B-IP-304R	069546	P4B-IP-304RE	069564	P4B-IP-304L	069582	P4B-IP-304LE
	3-7/16	069529	P4B-IP-307R	069547	P4B-IP-307RE	069565	P4B-IP-307L	069583	P4B-IP-307LE
	3-1/2	069530	P4B-IP-308R	069548	P4B-IP-308RE	069566	P4B-IP-308L	069584	P4B-IP-308LE

Metric shaft sizes available upon request

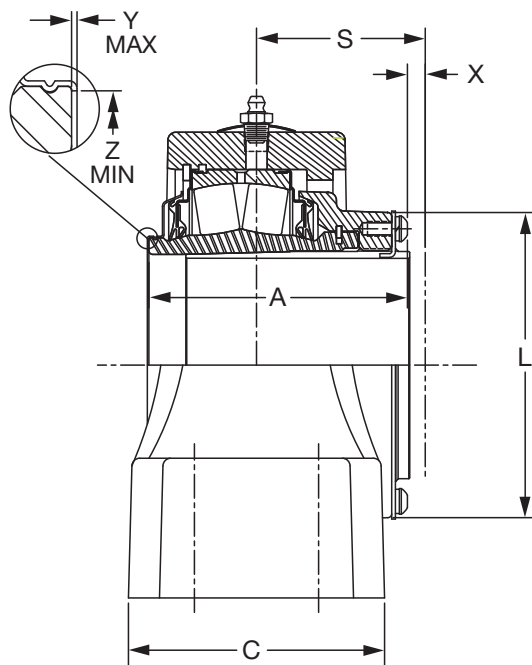
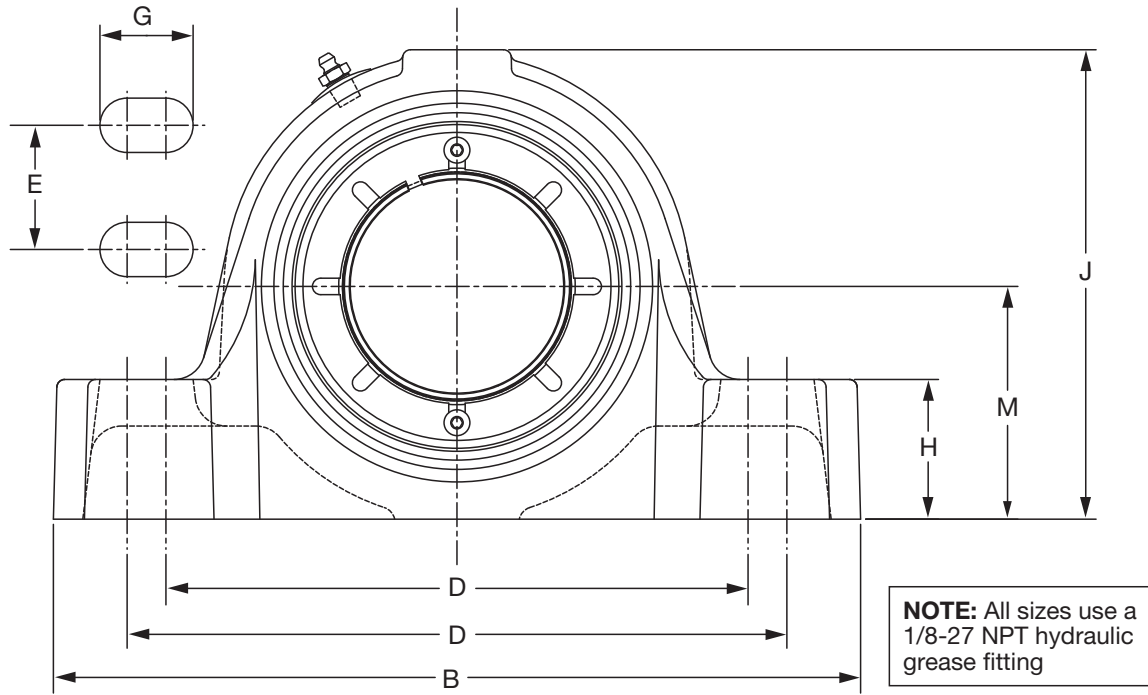
Shaft Size	A	B	C	D		E	F Bolt Dia.	G	H	J	L	M	R	S	X Total Exp.	Y	Z
				Min	Max												
2-3/8	3.42	9.25	3.28	6.94	7.31	1.75	1/2	0.81	1.63	5.59	3.88	2.75	1.08	2.34	1/4	0.03	2.94
2-7/16																	
2-1/2																	
2-11/16	3.50	10.44	3.75	7.94	8.31	1.88	5/8	0.94	1.88	6.44	4.28	3.25	1.09	2.41	1/4	0.03	3.47
2-3/4																	
2-15/16																	
3																	
3-3/16	4.17	13.00	4.13	9.38	10.63	2.00	3/4	1.50	2.25	7.56	5.00	3.75	1.44	2.73	1/4	0.03	4.05
3-1/4																	
3-7/16																	
3-1/2																	

FEATURES/BENEFITS PAGE B14-2	SPECIFICATIONS PAGE B14-5	HOW TO ORDER/NOMENCLATURE PAGE B14-8	SELECTION PAGE B14-14
---------------------------------	------------------------------	---	--------------------------

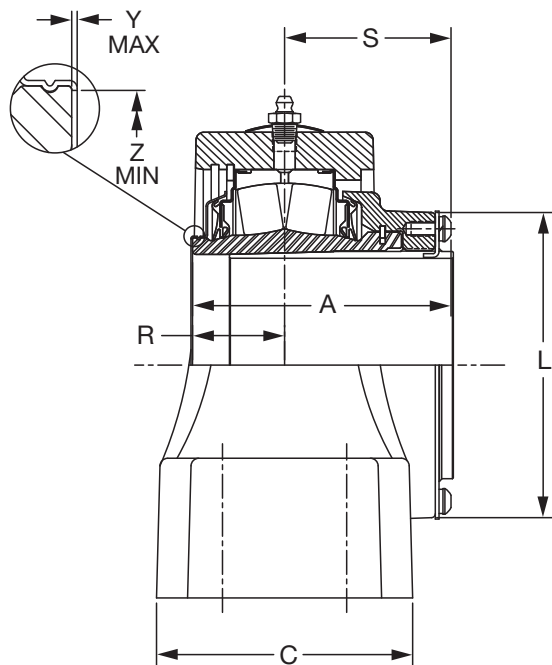


DIMENSIONS

**IMPERIAL - IP Pillow Block
3-11/16 THRU 5 INCH - 4-BOLT**



EXPANSION



NON-EXPANSION

NOTE: See page B14-42 for 2-3/8 thru 3-1/2 inch

FEATURES/BENEFITS PAGE B14-2	SPECIFICATIONS PAGE B14-5	HOW TO ORDER/NOMENCLATURE PAGE B14-8	SELECTION PAGE B14-14
---------------------------------	------------------------------	---	--------------------------

DIMENSIONS



IMPERIAL - IP Pillow Block 3-11/16 THRU 5 INCH - 4-BOLT

Bearing Reference Guide

E-Family Roller Bearings

Specialty Tapered Products

S-2000

UNISPHERE II

IMPERIAL

UNIFIED SAF

Bearing	Shaft Size Inch	TRIDENT Seal				Labyrinth Seal			
		Non-Expansion		Expansion		Non-Expansion		Expansion	
		Part No.	Part Name	Part No.	Part Name	Part No.	Part Name	Part No.	Part Name
22220	3-11/16	069531	P4B-IP-311R	069549	P4B-IP-311RE	069567	P4B-IP-311L	069585	P4B-IP-311LE
	3-15/16	069532	P4B-IP-315R	069550	P4B-IP-315RE	069568	P4B-IP-315L	069586	P4B-IP-315LE
	4	069533	P4B-IP-400R	069551	P4B-IP-400RE	069569	P4B-IP-400L	069587	P4B-IP-400LE
22222	4-7/16	069534	P4B-IP-407R	069552	P4B-IP-407RE	069570	P4B-IP-407L	069588	P4B-IP-407LE
	4-1/2	069535	P4B-IP-408R	069553	P4B-IP-408RE	069571	P4B-IP-408L	069589	P4B-IP-408LE
22226	4-15/16	069536	P4B-IP-415R	069554	P4B-IP-415RE	069572	P4B-IP-415L	069590	P4B-IP-415LE
	5	069537	P4B-IP-500R	069555	P4B-IP-500RE	069573	P4B-IP-500L	069591	P4B-IP-500LE

Metric shaft sizes available upon request

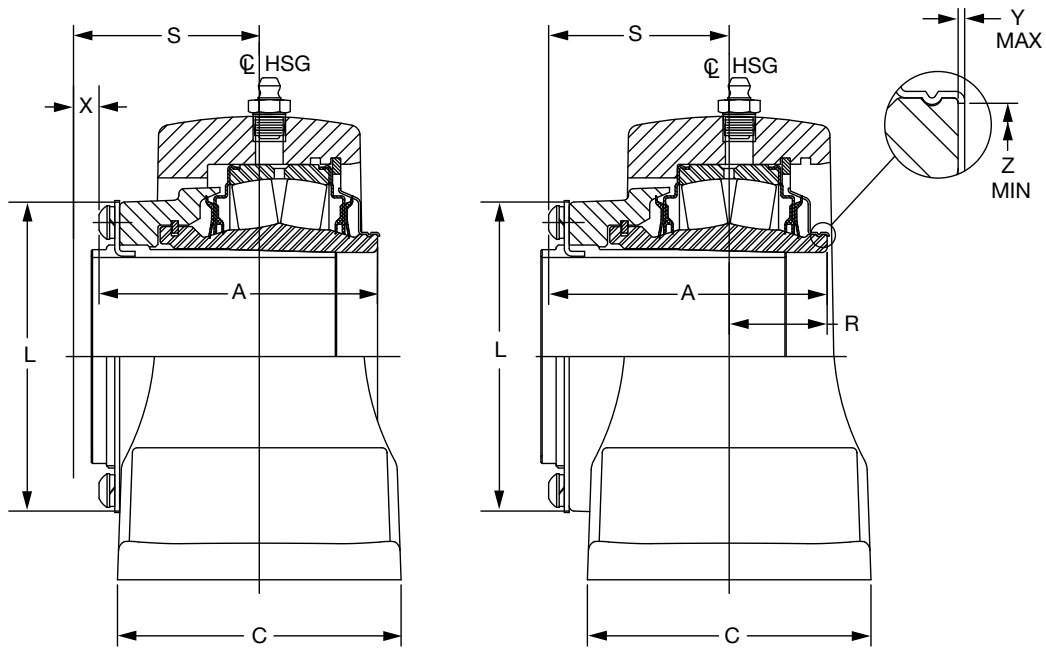
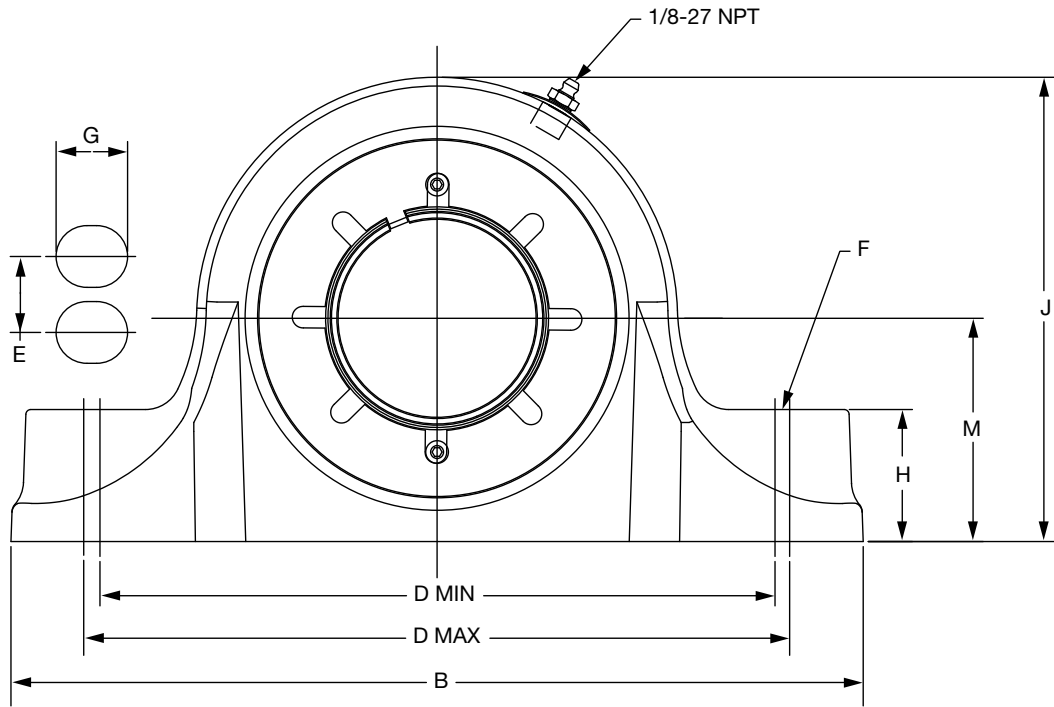
Shaft Size	A	B	C	D		E	F Bolt Dia.	G	H	J	L	M	R	S	X Total Exp.	Y	Z
				Min	Max												
3-11/16	4.70	15.25	4.50	12.13	12.88	2.25	3/4	1.25	2.44	8.44	5.56	4.25	1.64	3.06	5/16	0.03	4.50
3-15/16																	
4																	
4-7/16	5.23	16.50	4.75	12.00	14.00	2.50	3/4	1.38	2.75	9.63	6.44	4.75	1.75	3.48	3/8	0.04	5.00
4-1/2																	
4-15/16	5.98	18.63	5.38	15.00	16.00	2.75	7/8	1.50	3.00	11.13	7.63	5.50	1.91	4.08	3/8	0.04	5.84
5																	

FEATURES/BENEFITS PAGE B14-2	SPECIFICATIONS PAGE B14-5	HOW TO ORDER/NOMENCLATURE PAGE B14-8	SELECTION PAGE B14-14
---------------------------------	------------------------------	---	--------------------------



DIMENSIONS

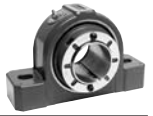
IMPERIAL - IP Pillow Block with Type E Dimensions 2-1/4 THRU 7 INCH - 4-BOLT



EXPANSION

NON-EXPANSION

DIMENSIONS



IMPERIAL - IP Pillow Block with Type E Dimensions 2-1/4 THRU 7 INCH - 4-BOLT

Bearing Series	Shaft Size*	TRIDENT Seal				Labyrinth Seal			
		Non-Expansion		Expansion		Non-Expansion		Expansion	
		Part No.	Part Name	Part No.	Part Name	Part No.	Part Name	Part No.	Part Name
22213	2-1/4	071204	EP4B-IP-204R	071221	EP4B-IP-204RE	071238	EP4B-IP-204L	071255	EP4B-IP-204LE
	2-7/16	071205	EP4B-IP-207R	071222	EP4B-IP-207RE	071239	EP4B-IP-207L	071256	EP4B-IP-207LE
	2-1/2	071206	EP4B-IP-208R	071223	EP4B-IP-208RE	071240	EP4B-IP-208L	071257	EP4B-IP-208LE
22215	2-11/16	071207	EP4B-IP-211R	071224	EP4B-IP-211RE	071241	EP4B-IP-211L	071258	EP4B-IP-211LE
	2-3/4	071208	EP4B-IP-212R	071225	EP4B-IP-212RE	071242	EP4B-IP-212L	071259	EP4B-IP-212LE
	2-15/16	071209	EP4B-IP-215R	071226	EP4B-IP-215RE	071243	EP4B-IP-215L	071260	EP4B-IP-215LE
	3	071210	EP4B-IP-300R	071227	EP4B-IP-300RE	071244	EP4B-IP-300L	071261	EP4B-IP-300LE
22218	3-3/16	071211	EP4B-IP-303R	071228	EP4B-IP-303RE	071245	EP4B-IP-303L	071262	EP4B-IP-303LE
	3-1/4	071212	EP4B-IP-304R	071229	EP4B-IP-304RE	071246	EP4B-IP-304L	071263	EP4B-IP-304LE
	3-7/16	071213	EP4B-IP-307R	071230	EP4B-IP-307RE	071247	EP4B-IP-307L	071264	EP4B-IP-307LE
	3-1/2	071214	EP4B-IP-308R	071231	EP4B-IP-308RE	071248	EP4B-IP-308L	071265	EP4B-IP-308LE
22220	3-15/16	071215	EP4B-IP-315R	071232	EP4B-IP-315RE	071249	EP4B-IP-315L	071266	EP4B-IP-315LE
	4	071216	EP4B-IP-400R	071233	EP4B-IP-400RE	071250	EP4B-IP-400L	071267	EP4B-IP-400LE
22222	4-7/16	071217	EP4B-IP-407R	071234	EP4B-IP-407RE	071251	EP4B-IP-407L	071268	EP4B-IP-407LE
	4-1/2	071218	EP4B-IP-408R	071235	EP4B-IP-408RE	071252	EP4B-IP-408L	071269	EP4B-IP-408LE
22226	4-15/16	071219	EP4B-IP-415R	071236	EP4B-IP-415RE	071253	EP4B-IP-415L	071270	EP4B-IP-415LE
	5	071220	EP4B-IP-500R	071237	EP4B-IP-500RE	071254	EP4B-IP-500L	071271	EP4B-IP-500LE
22228	5-7/16	071610	EP4B-IP-507R	071618	EP4B-IP-507RE	071626	EP4B-IP-507L	071634	EP4B-IP-507LE
	5-1/2	071611	EP4B-IP-508R	071619	EP4B-IP-508RE	071627	EP4B-IP-508L	071635	EP4B-IP-508LE
22232	5-15/16	071612	EP4B-IP-515R	071620	EP4B-IP-515RE	071628	EP4B-IP-515L	071636	EP4B-IP-515LE
	6	071613	EP4B-IP-600R	071621	EP4B-IP-600RE	071629	EP4B-IP-600L	071637	EP4B-IP-600LE
22236	6-7/16	071614	EP4B-IP-607R	071622	EP4B-IP-607RE	071630	EP4B-IP-607L	071638	EP4B-IP-607LE
	6-1/2	071615	EP4B-IP-608R	071623	EP4B-IP-608RE	071631	EP4B-IP-608L	071639	EP4B-IP-608LE
	6-15/16	071616	EP4B-IP-615R	071624	EP4B-IP-615RE	071632	EP4B-IP-615L	071640	EP4B-IP-615LE
	7	071617	EP4B-IP-700R	071625	EP4B-IP-700RE	071633	EP4B-IP-700L	071641	EP4B-IP-700LE

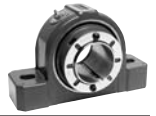
*Consult Dodge For Sizes Not Listed

Shaft Size	A	B#	C#	D		E	F Bolt Dia.	G#	H#	J#	L	M	R	S	X Total Exp.	Y	Z
				Min	Max												
2-1/4 2-7/16 2-1/2	3.42	10.50	3.49	8.31	8.69	1.87	5/8	0.87	1.63	5.72	3.88	2.75	1.21	2.21	1/4	0.03	2.94
2-11/16 2-3/4 2-15/16 3	3.50	12.00	4.00	9.18	9.82	2.13	5/8	1.00	1.88	6.33	4.28	3.13	1.35	2.15	1/4	0.03	3.47
3-3/16 3-1/4 3-7/16 3-1/2	4.17	13.50	4.49	10.75	11.25	2.37	3/4	1.13	2.25	7.69	5.00	3.75	1.54	2.63	1/4	0.03	4.05
3-15/16 4	4.70	15.25	4.50	12.25	12.75	2.25	3/4	1.13	2.44	8.70	5.56	4.25	1.35	3.35	5/16	0.03	4.50
4-7/16 4-1/2	5.23	16.63	4.63	13.25	13.75	2.50	3/4	1.13	2.75	9.67	6.44	4.75	1.82	3.41	3/8	0.04	5.00
4-15/16 5	5.98	18.50	5.13	15.25	15.75	2.87	7/8	1.25	3.00	11.16	7.63	5.50	1.93	4.05	3/8	0.04	5.84
5-7/16 5-1/2	6.17	22	6.25	17.38	19.12	3.75	1	2.00	3.25	13.19	8.75	6.69	1.4	4.77	3/8	0.04	5.92
5-15/16 6	7.08	22	6.25	17.38	19.12	3.75	1	2.00	3.25	13.19	10.25	6.69	2.66	4.42	3/8	0.04	7.02
6-7/16 6-1/2 6-15/16 7	7.39	26	7.12	21.25	23.25	4.62	1	2.00	3.69	14.94	11.41	7.50	2.46	4.94	23/64	0.04	7.89

Notes: "A" And "R" Dimensions Do Not Include "Y" Dimension

Reference Dimension Only

FEATURES/BENEFITS PAGE B14-2	SPECIFICATIONS PAGE B14-5	HOW TO ORDER/NOMENCLATURE PAGE B14-8	SELECTION PAGE B14-14
---------------------------------	------------------------------	---	--------------------------



DIMENSIONS

Steel IMPERIAL-HD Pillow Block 4-Bolt

Bearing Reference Guide

E-Family Roller Bearings

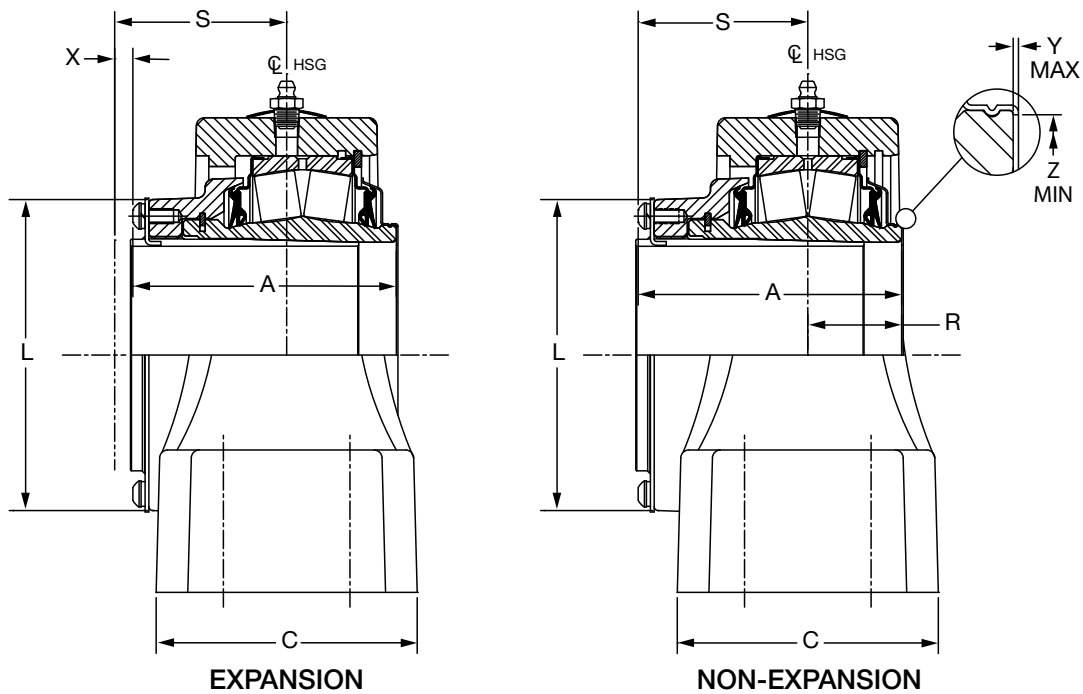
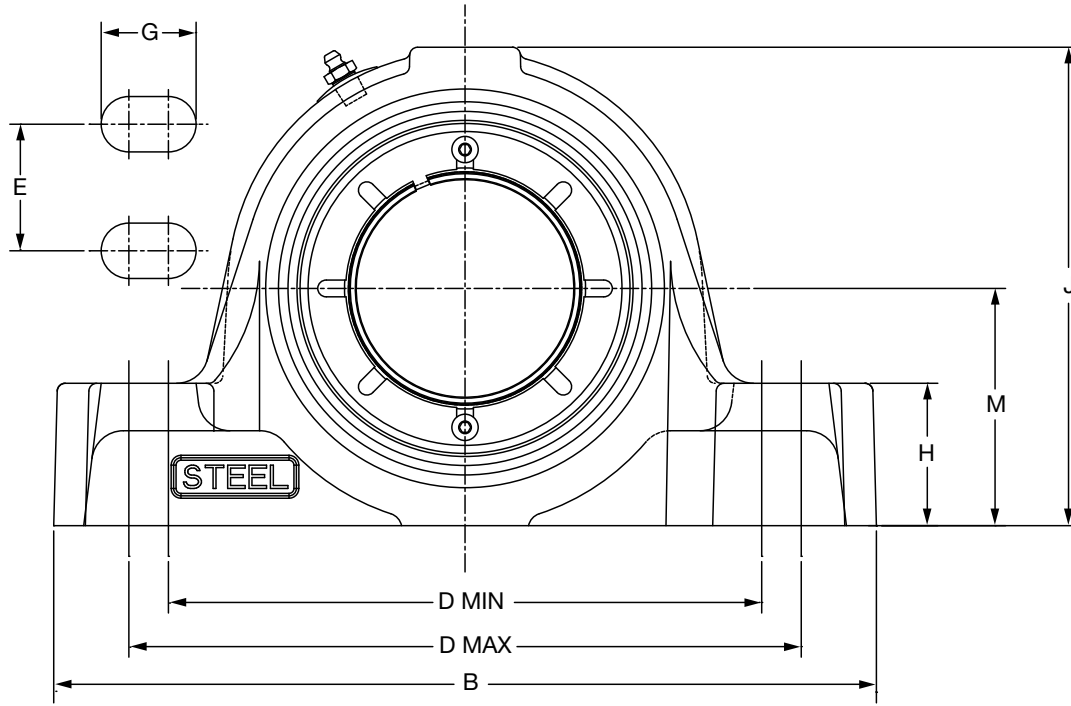
Specialty Tapered Products

S-2000

UNISPHERE II

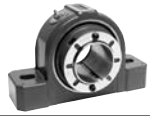
IMPERIAL

UNIFIED SAF



FEATURES/BENEFITS PAGE B14-2	SPECIFICATIONS PAGE B14-5	HOW TO ORDER/NOMENCLATURE PAGE B14-8	SELECTION PAGE B14-14
---------------------------------	------------------------------	---	--------------------------

DIMENSIONS



Steel IMPERIAL-HD Pillow Block 4-Bolt

Bearing Reference Guide

E-Family Roller Bearings

Specialty Tapered Products

S-2000

UNISPHERE II

IMPERIAL

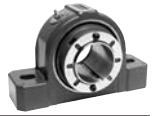
UNIFIED SAF

Shaft Size	Dodge Non-Expansion		Dodge Expansion	
	Dodge Part No.	Description	Dodge Part No.	Description
2-3/8	071706	SP4B-IP-206R	071724	SP4B-IP-206RE
2-7/16	071707	SP4B-IP-207R	071725	SP4B-IP-207RE
2-1/2	071708	SP4B-IP-208R	071726	SP4B-IP-208RE
2-11/16	071709	SP4B-IP-211R	071727	SP4B-IP-211RE
2-3/4	071710	SP4B-IP-212R	071728	SP4B-IP-212RE
2-15/16	071711	SP4B-IP-215R	071729	SP4B-IP-215RE
3	071712	SP4B-IP-300R	071730	SP4B-IP-300RE
3-3/16	071713	SP4B-IP-303R	071731	SP4B-IP-303RE
3-1/4	071714	SP4B-IP-304R	071732	SP4B-IP-304RE
3-7/16	071715	SP4B-IP-307R	071733	SP4B-IP-307RE
3-1/2	071716	SP4B-IP-308R	071734	SP4B-IP-308RE
3-11/16	071717	SP4B-IP-311R	071735	SP4B-IP-311RE
3-15/16	071718	SP4B-IP-315R	071736	SP4B-IP-315RE
4	071719	SP4B-IP-400R	071737	SP4B-IP-400RE
4-7/16	071720	SP4B-IP-407R	071738	SP4B-IP-407RE
4-1/2	071721	SP4B-IP-408R	071739	SP4B-IP-408RE
4-15/16	071722	SP4B-IP-415R	071740	SP4B-IP-415RE
5	071723	SP4B-IP-500R	071741	SP4B-IP-500RE

Shaft Size	A	B	C	D		E	F Bolt Dia	G	H	J	L	M	R	S	X Total Exp	Y	Z
				Min	Max												
2-3/8	3.42	9.25	3.00	6.88	7.63	1.75	1/2	1.06	1.63	5.61	3.88	2.75	1.17	2.25	1/4	0.03	2.94
2-7/16																	
2-1/2																	
2-11/16	3.50	10.44	3.13	7.60	9.10	1.88	5/8	1.43	1.88	6.44	4.28	3.25	1.12	2.37	1/4	0.03	3.47
2-3/4																	
2-15/16																	
3																	
3-3/16	4.17	12.30	3.75	8.88	10.88	2.00	3/4	1.88	2.25	7.56	5.00	3.75	1.53	2.63	1/4	0.03	4.05
3-1/4																	
3-7/16																	
3-1/2																	
3-11/16	4.70	14.88	4.31	10.88	13.38	2.25	3/4	2.13	2.44	8.70	5.56	4.25	1.70	3.00	5/16	0.03	4.50
3-15/16																	
4																	
4-7/16																	
4-1/2	5.23	16.13	4.75	11.88	14.50	2.50	3/4	2.19	2.75	9.67	6.44	4.75	1.53	3.70	3/8	0.04	5.00
4-15/16																	
5																	
5	5.98	17.50	5.03	15.13	15.88	2.75	7/8	1.38	3.00	11.12	7.63	5.50	2.22	3.77	3/8	0.04	5.84

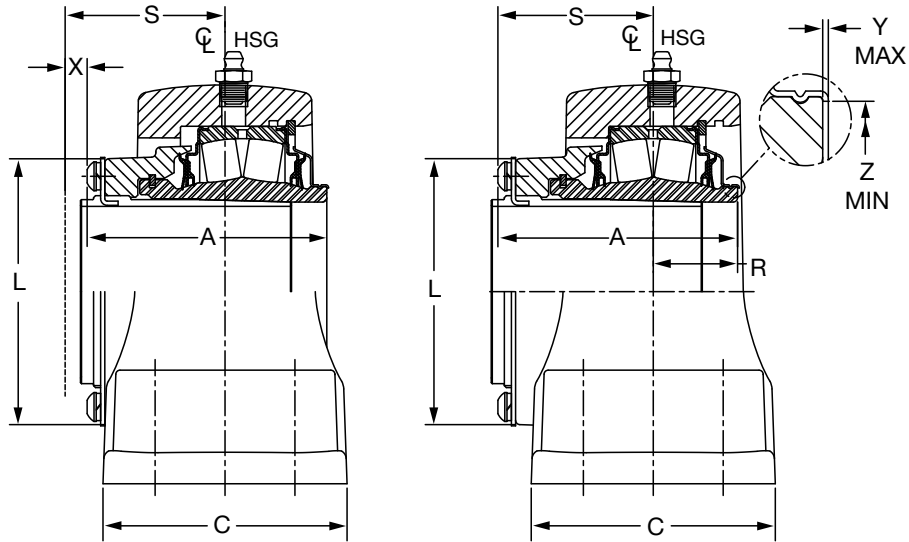
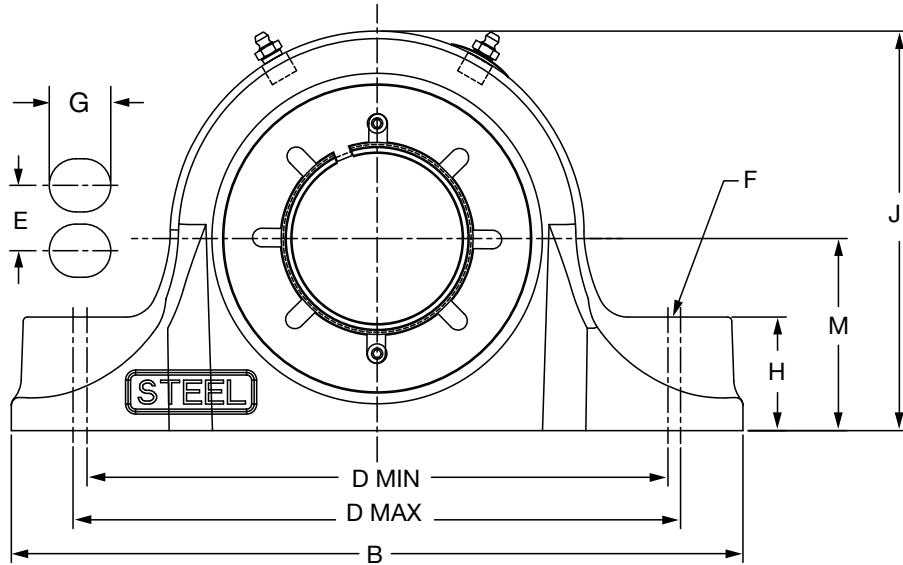
"A" & "R" Dimensions Do Not Include "Y" Dimension

FEATURES/BENEFITS PAGE B14-2	SPECIFICATIONS PAGE B14-5	HOW TO ORDER/NOMENCLATURE PAGE B14-8	SELECTION PAGE B14-14
---------------------------------	------------------------------	---	--------------------------



DIMENSIONS

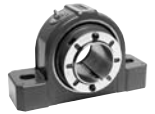
Steel IMPERIAL-HD Pillow Block 4-Bolt with Type E Dimensions



3-11/16" THRU 5"
EXPANSION

3-11/16" THRU 5"
NON-EXPANSION

DIMENSIONS



Steel IMPERIAL-HD Pillow Block 4-Bolt with Type E Dimensions

Bearing Reference Guide

E-Family Roller Bearings

Specialty Tapered Products

S-2000

UNISPHERE II

IMPERIAL

UNIFIED SAF

Shaft Size	Dodge Non-Expansion		Dodge Expansion	
	Dodge Part No.	Description	Dodge Part No.	Description
2-1/4	071906	SEP4B-IP-204R	071923	SEP4B-IP-204RE
2-7/16	071907	SEP4B-IP-207R	071924	SEP4B-IP-207RE
2-1/2	071908	SEP4B-IP-208R	071925	SEP4B-IP-208RE
2-11/16	071909	SEP4B-IP-211R	071926	SEP4B-IP-211RE
2-3/4	071910	SEP4B-IP-212R	071927	SEP4B-IP-212RE
2-15/16	071911	SEP4B-IP-215R	071928	SEP4B-IP-215RE
3	071912	SEP4B-IP-300R	071929	SEP4B-IP-300RE
3-3/16	071913	SEP4B-IP-303R	071930	SEP4B-IP-303RE
3-1/4	071914	SEP4B-IP-304R	071931	SEP4B-IP-304RE
3-7/16	071915	SEP4B-IP-307R	071932	SEP4B-IP-307RE
3-1/2	071916	SEP4B-IP-308R	071933	SEP4B-IP-308RE
3-15/16	071917	SEP4B-IP-315R	071934	SEP4B-IP-315RE
4	071918	SEP4B-IP-400R	071935	SEP4B-IP-400RE
4-7/16	071919	SEP4B-IP-407R	071936	SEP4B-IP-407RE
4-1/2	071920	SEP4B-IP-408R	071937	SEP4B-IP-408RE
4-15/16	071921	SEP4B-IP-415R	071938	SEP4B-IP-415RE
5	071922	SEP4B-IP-500R	071939	SEP4B-IP-500RE

Shaft Size	A	B	C	D		E	F Bolt Dia.	G	H	J	L	M	R	S	X Total Exp	Y	Z
				Min	Max												
2-1/4 2-7/16 2-1/2	3.42	10.25	3.25	7.13	8.75	1.88	5/8	1.57	1.63	5.71	3.88	2.75	1.21	2.21	1/4	0.03	2.94
2-11/16 2-3/4 2-15/16 3	3.50	10.83	3.38	8.00	9.60	2.12	5/8	1.56	1.88	6.32	4.28	3.13	1.35	2.15	1/4	0.03	3.47
3-3/16 3-1/4 3-7/16 3-1/2	4.17	13.63	3.75	9.25	11.25	2.38	3/4	1.88	2.25	7.69	5.00	3.75	1.54	2.63	1/4	0.03	4.05
3-15/16 4	4.70	14.88	4.31	10.88	13.38	2.25	3/4	2.13	2.44	8.70	5.56	4.25	1.70	3.00	5/16	0.03	4.50
4-7/16 4-1/2	5.23	16.13	4.75	11.88	14.50	2.50	3/4	2.19	2.75	9.67	6.44	4.75	1.53	3.70	3/8	0.04	5.00
4-15/16 5	5.98	17.50	5.04	15.13	15.88	2.88	7/8	1.38	3.00	11.16	7.63	5.50	1.93	4.05	3/8	0.04	5.84

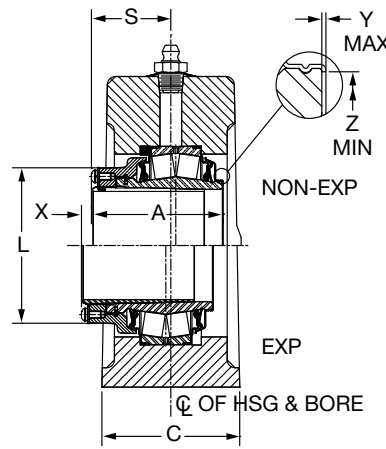
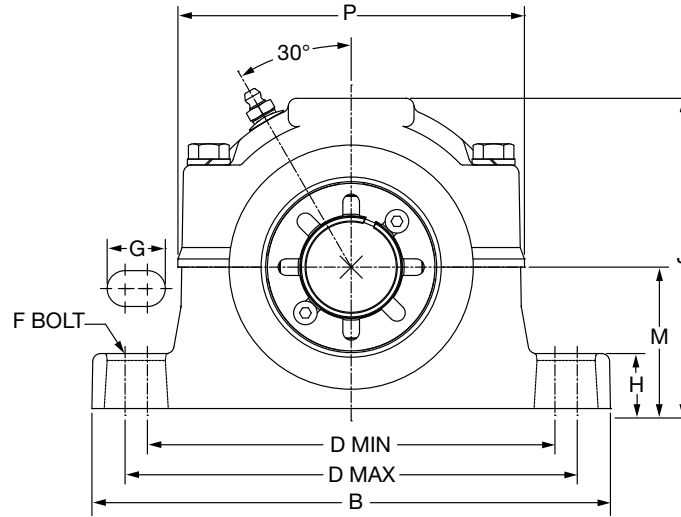
"A" & "R" Dimensions Do Not Include "Y" Dimension

FEATURES/BENEFITS PAGE B14-2	SPECIFICATIONS PAGE B14-5	HOW TO ORDER/NOMENCLATURE PAGE B14-8	SELECTION PAGE B14-14
---------------------------------	------------------------------	---	--------------------------



DIMENSIONS

IMPERIAL ISAF 1-7/16 THRU 3-7/16 INCH - 2-BOLT



CONTACT SEAL

Bearing	Shaft Size Inch	TRIDENT Seal				Labyrinth Seal			
		Non-Expansion		Expansion		Non-Expansion		Expansion	
		Part No.	Part Name	Part No.	Part Name	Part No.	Part Name	Part No.	Part Name
22208	1-7/16	070054	P2B509-ISAF-107R	070064	P2B509-ISAF-107RE	070074	P2B509-ISAF-107L	070084	P2B509-ISAF-107LE
22209	1-11/16	070055	P2B510-ISAF-111R	070065	P2B510-ISAF-111RE	070075	P2B510-ISAF-111L	070085	P2B510-ISAF-111LE
22210	1-15/16	070056	P2B511-ISAF-115R	070066	P2B511-ISAF-115RE	070076	P2B511-ISAF-115L	070086	P2B511-ISAF-115LE
22211	2-3/16	070057	P2B513-ISAF-203R	070067	P2B513-ISAF-203RE	070077	P2B513-ISAF-203L	070087	P2B513-ISAF-203LE
22213	2-7/16	070951	P2B515-ISAF-207R	070955	P2B515-ISAF-207RE	070959	P2B515-ISAF-207L	070963	P2B515-ISAF-207LE
22215	2-11/16	070952	P2B516-ISAF-211R	070956	P2B516-ISAF-211RE	070960	P2B516-ISAF-211L	070964	P2B516-ISAF-211LE
22215	2-15/16	070953	P2B517-ISAF-215R	070957	P2B517-ISAF-215RE	070961	P2B517-ISAF-215L	070965	P2B517-ISAF-215LE
22218	3-7/16	070954	P2B520-ISAF-307R	070958	P2B520-ISAF-307RE	070962	P2B520-ISAF-307L	070966	P2B520-ISAF-307LE

Metric shaft sizes available upon request

NOTE: See page B14-54 for 2-7/16 thru 7 inch

FEATURES/BENEFITS PAGE B14-2	SPECIFICATIONS PAGE B14-5	HOW TO ORDER/NOMENCLATURE PAGE B14-8	SELECTION PAGE B14-14
---------------------------------	------------------------------	---	--------------------------

DIMENSIONS



IMPERIAL ISAF 1-7/16 THRU 3-7/16 INCH - 2-BOLT

Bearing Reference Guide

E-Family Roller Bearings

Specialty Tapered Products

S-2000

UNISPHERE II

IMPERIAL

UNIFIED SAF

Shaft Size	SAF Series	A	B	C	D		F Bolts	G	H
					Min	Max			
1-7/16	509	2.63	8.25	2.19	6.25	7.00	1/2	0.94	0.88
1-11/16	510	2.80	8.25	2.38	6.50	7.00	1/2	0.88	1.03
1-15/16	511	2.86	9.63	2.75	7.38	8.25	5/8	1.20	1.03
2-3/16	513	3.03	11.00	3.25	8.60	9.50	5/8	1.16	1.03
2-7/16	515	3.42	11.13	3.13	8.63	9.63	5/8	1.13	1.25
2-11/16	516	3.50	12.59	3.50	9.88	11.00	3/4	1.31	1.00
2-15/16	517	3.50	12.59	3.50	9.88	11.00	3/4	1.31	1.25
3-7/16	520	4.16	15.36	4.34	11.81	13.13	7/8	1.63	1.66

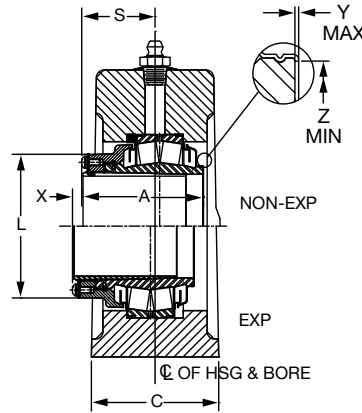
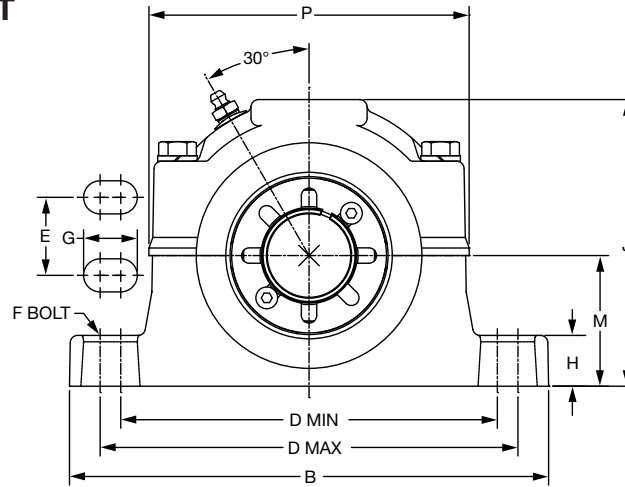
Shaft Size	SAF Series	J	L	M	P	S	X Expansion	Y	Z
1-7/16	509	4.94	2.72	2.25	5.52	1.53	7/32	0.02	1.80
1-11/16	510	5.45	3.00	2.50	5.81	1.73	7/32	0.02	2.08
1-15/16	511	5.97	3.28	2.75	6.38	1.73	17/64	0.02	2.30
2-3/16	513	6.34	3.50	3.00	6.97	1.88	7/32	0.03	2.59
2-7/16	515	6.86	3.86	3.25	7.42	2.06	5/16	0.03	2.94
2-11/16	516	7.50	4.28	3.50	8.31	2.16	15/64	0.03	3.47
2-15/16	517	7.75	4.28	3.75	8.31	2.16	15/64	0.03	3.47
3-7/16	520	9.25	5.00	4.50	10.13	2.48	3/8	0.03	4.05

FEATURES/BENEFITS PAGE B14-2	SPECIFICATIONS PAGE B14-5	HOW TO ORDER/NOMENCLATURE PAGE B14-8	SELECTION PAGE B14-14
---------------------------------	------------------------------	---	--------------------------



DIMENSIONS

IMPERIAL ISAF 2-7/16 THRU 7 INCH - 4-BOLT

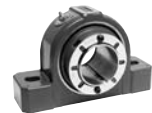


LABYRINTH SEAL

Bearing	Shaft Size Inch	TRIDENT Seal				Labyrinth Seal			
		Non-Expansion		Expansion		Non-Expansion		Expansion	
		Part No.	Part Name	Part No.	Part Name	Part No.	Part Name	Part No.	Part Name
22213	2-7/16	070058	P4B515-ISAF-207R	070068	P4B515-ISAF-207RE	070078	P4B515-ISAF-207L	070088	P4B515-ISAF-207LE
22215	2-11/16	070094	P4B516-ISAF-211R	070095	P4B516-ISAF-211RE	070096	P4B516-ISAF-211L	070097	P4B516-ISAF-211LE
22215	2-15/16	070059	P4B517-ISAF-215R	070069	P4B517-ISAF-215RE	070079	P4B517-ISAF-215L	070089	P4B517-ISAF-215LE
22218	3-7/16	070060	P4B520-ISAF-307R	070070	P4B520-ISAF-307RE	070080	P4B520-ISAF-307L	070090	P4B520-ISAF-307LE
22220	3-15/16	070061	P4B522-ISAF-315R	070071	P4B522-ISAF-315RE	070081	P4B522-ISAF-315L	070091	P4B522-ISAF-315LE
22222	4-7/16	070062	P4B526-ISAF-407R	070072	P4B526-ISAF-407RE	070082	P4B526-ISAF-407L	070092	P4B526-ISAF-407LE
22226	4-15/16	070063	P4B528-ISAF-415R	070073	P4B528-ISAF-415RE	070083	P4B528-ISAF-415L	070093	P4B528-ISAF-415LE
22228	5-7/16	037850	P4B532-ISAF-507R	037854	P4B532-ISAF-507RE	037901	P4B532-ISAF-507L	037902	P4B532-ISAF-507LE
	5-1/2	037903	P4B532-ISAF-508R	037904	P4B532-ISAF-508RE	037905	P4B532-ISAF-508L	037906	P4B532-ISAF-508LE
22232	5-15/16	037851	P4B534-ISAF-515R	037855	P4B534-ISAF-515RE	037907	P4B534-ISAF-515L	037908	P4B534-ISAF-515LE
	6	037909	P4B534-ISAF-600R	037910	P4B534-ISAF-600RE	037911	P4B534-ISAF-600L	037912	P4B534-ISAF-600LE
22236	6-7/16	037852	P4B536-ISAF-607R	037856	P4B536-ISAF-607RE	037913	P4B536-ISAF-607L	037914	P4B536-ISAF-607LE
	6-1/2	037915	P4B536-ISAF-608R	037916	P4B536-ISAF-608RE	037917	P4B536-ISAF-608L	037918	P4B536-ISAF-608LE
22236	6-15/16	037853	P4B538-ISAF-615R	037857	P4B538-ISAF-615RE	037919	P4B538-ISAF-615L	037920	P4B538-ISAF-615LE
	7	037921	P4B538-ISAF-700R	037922	P4B538-ISAF-700RE	037923	P4B538-ISAF-700L	037924	P4B538-ISAF-700LE

NOTE: See page B14-52 for 1-1/8 thru 2-3/16 inch

FEATURES/BENEFITS PAGE B14-2	SPECIFICATIONS PAGE B14-5	HOW TO ORDER/NOMENCLATURE PAGE B14-8	SELECTION PAGE B14-14
---------------------------------	------------------------------	---	--------------------------



DIMENSIONS

IMPERIAL ISAF 2-7/16 THRU 7 INCH - 4-BOLT

Shaft Size	SAF Series	A	B	C	D		E	F Bolts	G	H
					Min	Max				
2-7/16	515	3.42	11.13	3.13	8.63	9.63	1.88	1/2	1.13	1.25
2-11/16	516	3.50	12.59	3.50	9.88	11.00	2.13	5/8	1.31	1.00
2-15/16	517	3.50	12.59	3.50	9.88	11.00	2.13	5/8	1.31	1.25
3-7/16	520	4.16	15.36	4.34	11.81	13.13	2.38	3/4	1.63	1.60
3-15/16	522	4.70	16.50	4.75	12.59	14.50	2.75	3/4	1.83	1.73
4-7/16	526	5.23	18.38	5.13	14.50	16.00	3.25	7/8	1.75	2.06
4-15/16	528	5.98	19.70	5.88	15.63	17.38	3.38	1	2.00	2.06
5-7/16 5-1/2	532	6.17	21.66	6.25	17.38	19.25	3.75	1	2.06	2.34
5-15/16 6	534	7.08	24.75	6.75	19.38	21.63	4.25	1	2.25	2.88
6-7/16 6-1/2	536	7.39	26.75	7.13	20.88	23.63	4.63	1	2.50	3.00
6-15/16 7	538	7.39	28.00	7.50	21.63	24.38	4.50	1-1/4	2.75	3.13

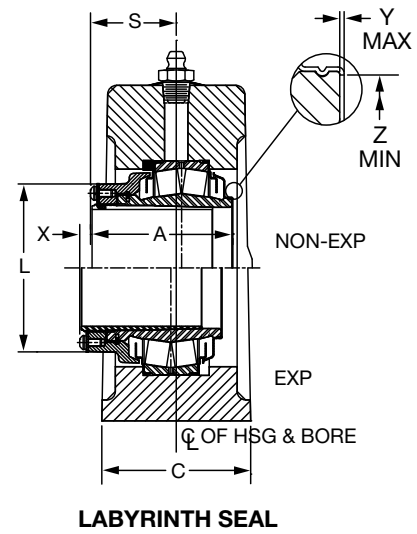
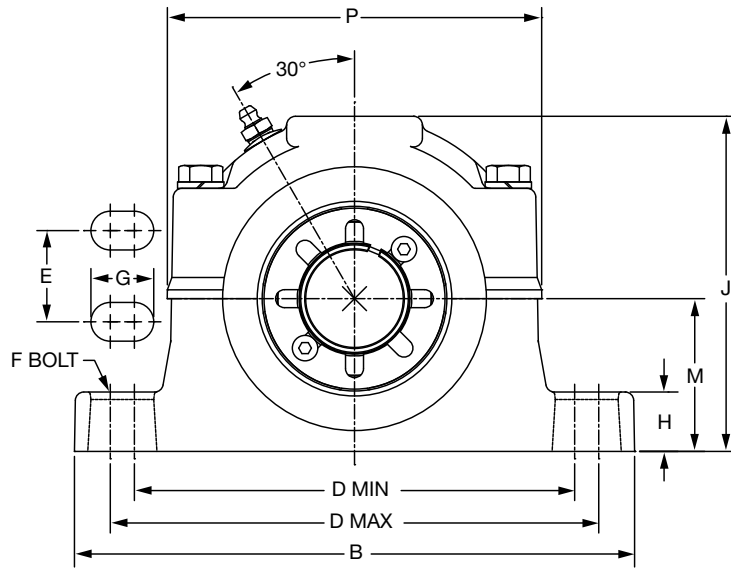
Shaft Size	SAF Series	J	L	M	P	S	X Expansion	Y	Z
2-7/16	515	6.86	3.88	3.25	7.42	2.06	5/16	0.03	2.94
2-11/16	516	7.50	4.28	3.50	8.31	2.16	15/64	0.03	3.47
2-15/16	517	7.75	4.28	3.75	8.31	2.16	15/64	0.03	3.47
3-7/16	520	9.25	5.00	4.50	10.13	2.48	3/8	0.03	4.05
3-15/16	522	10.18	5.56	4.94	10.72	2.86	3/8	0.03	4.50
4-7/16	526	11.66	6.44	6.00	12.47	3.09	3/8	0.04	5.00
4-15/16	528	12.41	7.63	6.00	13.38	3.69	3/8	0.04	5.84
5-7/16 5-1/2	532	12.50	8.75	6.69	13.38	3.64	3/8	0.04	5.92
5-15/16 6	534	13.69	10.25	7.06	15.09	4.11	3/8	0.04	7.02
6-7/16 6-1/2	536	15.13	11.41	7.50	17.38	4.34	3/8	0.04	7.89
6-15/16 7	538	15.50	11.41	7.88	1.38	4.34	3/8	0.04	7.89

FEATURES/BENEFITS PAGE B14-2	SPECIFICATIONS PAGE B14-5	HOW TO ORDER/NOMENCLATURE PAGE B14-8	SELECTION PAGE B14-14
---------------------------------	------------------------------	---	--------------------------



DIMENSIONS

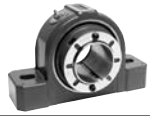
IMPERIAL ISAF 35 THRU 90MM - 2-BOLT



LABYRINTH SEAL

Bearing	Shaft Size in mm	Trident Seal				Labyrinth Seal			
		Non-Expansion		Expansion		Non-Expansion		Expansion	
		Part No.	Part Name	Part No.	Part Name	Part No.	Part Name	Part No.	Part Name
22208	35	068774	P2B509-ISAF-035MR	068775	P2B509-ISAF-035MRE		P2B509-ISAF-035ML		P2B509-ISAF-035MLE
22209	40	077646	P2B509-ISAF-040MR		P2B509-ISAF-040MRE		P2B509-ISAF-040ML		P2B509-ISAF-040MLE
22210	45	077647	P2B510-ISAF-045MR		P2B510-ISAF-045MRE		P2B510-ISAF-045ML		P2B510-ISAF-045MLE
22210	50	073562	P2B511-ISAF-050MR	073561	P2B511-ISAF-050MRE		P2B511-ISAF-050ML		P2B511-ISAF-050MLE
22213	60	077648	P2B513-ISAF-060MR		P2B513-ISAF-060MRE	067921	P2B515-ISAF-060ML	067922	P2B515-ISAF-060MLE
22213	60	068576	P2B515-ISAF-060MR		P2B515-ISAF-060MRE		P2B515-ISAF-060ML		P2B515-ISAF-060MLE
22215	65	077649	P2B515-ISAF-065MR		P2B515-ISAF-065MRE		P2B515-ISAF-065ML		P2B515-ISAF-065MLE
22215	70	077650	P2B516-ISAF-070MR		P2B516-ISAF-070MRE		P2B516-ISAF-070ML		P2B516-ISAF-070MLE
22215	65	065641	P2B517-ISAF-065MR		P2B517-ISAF-065MRE		P2B517-ISAF-065ML		P2B517-ISAF-065MLE
22215	75	065657	P2B517-ISAF-075MR	068905	P2B517-ISAF-075MRE		P2B517-ISAF-075ML		P2B517-ISAF-075MLE
22220	90	077651	P2B520-ISAF-090MR		P2B520-ISAF-090MRE		P2B520-ISAF-090ML		P2B520-ISAF-090MLE

DIMENSIONS



IMPERIAL ISAF 35 THRU 90MM - 2-BOLT

Bearing Reference Guide

E-Family Roller Bearings

Specialty Tapered Products

S-2000

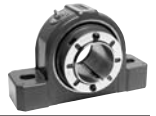
UNISPHERE II

IMPERIAL

UNIFIED SAF

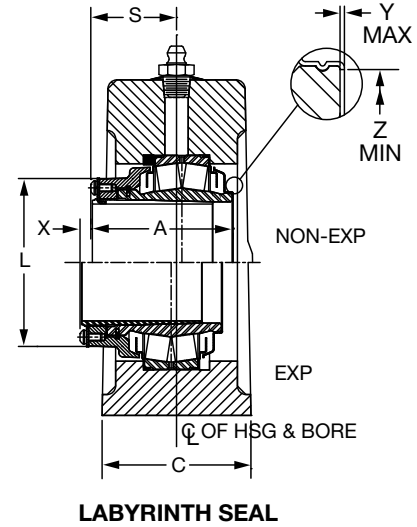
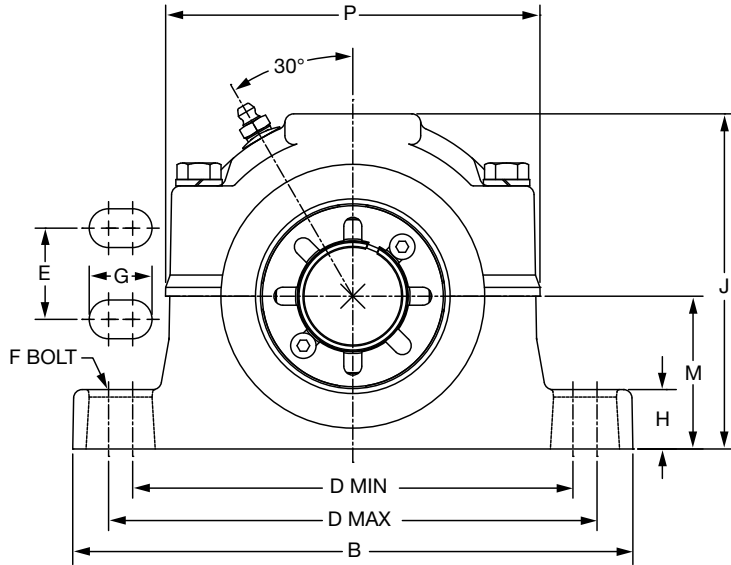
Shaft Size	SAF Series	A	B	C	D		F Bolts	G	H	J	L	M	P	S	X Expansion	Y	Z
					Min	Max											
35 40	509	66.80	209.55	55.63	158.75	177.80	M12	23.88	22.35	125.48	74.17	57.15	140.21	5.56	5.56	0.51	45.72
45	510	71.12	209.55	60.45	165.10	177.80	M12	22.35	26.16	138.43	76.20	63.50	147.57	43.94	5.56	0.51	52.83
50	511	72.64	244.60	69.85	187.45	209.55	M16	30.48	26.16	151.64	83.31	69.85	162.05	43.94	6.75	0.51	58.42
60	513	76.96	279.40	82.55	218.44	241.30	M16	29.46	26.16	161.04	88.90	76.20	177.04	47.75	5.56	0.76	65.79
60 65	515	86.87	282.70	79.50	219.20	244.60	M16	28.70	31.75	174.24	98.04	82.55	188.47	52.32	7.94	0.76	74.68
70	516	88.90	319.79	88.90	250.95	279.40	M20	33.27	25.40	190.50	108.71	88.90	211.07	54.86	5.95	0.76	88.14
65 75	517	88.90	319.79	88.90	250.95	279.40	M20	33.27	31.75	196.85	108.71	95.25	211.07	54.86	5.95	0.76	88.14
90	520	105.66	390.14	110.24	299.97	333.50	M22	41.40	42.16	234.95	127.00	114.30	257.30	62.99	9.53	0.76	102.87

FEATURES/BENEFITS PAGE B14-2	SPECIFICATIONS PAGE B14-5	HOW TO ORDER/NOMENCLATURE PAGE B14-8	SELECTION PAGE B14-14
---------------------------------	------------------------------	---	--------------------------



DIMENSIONS

IMPERIAL ISAF 65 THRU 170MM - 4-BOLT



Bearing	Shaft Size in mm	Trident Seal				Labyrinth Seal			
		Non-Expansion		Expansion		Non-Expansion		Expansion	
		Part No.	Part Name	Part No.	Part Name	Part No.	Part Name	Part No.	Part Name
22215	65	077660	P4B515-ISAF-065MR		P4B515-ISAF-065MRE		P4B515-ISAF-065ML		P4B515-ISAF-065MLE
22215	70	077661	P4B516-ISAF-070MR		P4B516-ISAF-070MRE		P4B516-ISAF-070ML		P4B516-ISAF-070MLE
22215	75	062700	P4B517-ISAF-075MR		P4B517-ISAF-075MRE		P4B517-ISAF-075ML		P4B517-ISAF-075MLE
22218	85	077458	P4B520-ISAF-085MR		P4B520-ISAF-085MRE		P4B520-ISAF-085ML		P4B520-ISAF-085MLE
22220	90	077662	P4B520-ISAF-090MR		P4B520-ISAF-090MRE		P4B520-ISAF-090ML		P4B520-ISAF-090MLE
22220	90	073070	P4B522-ISAF-090MR	073071	P4B522-ISAF-090MRE		P4B522-ISAF-090ML		P4B522-ISAF-090MLE
22220	100	074867	P4B522-ISAF-100MR	074868	P4B522-ISAF-100MRE		P4B522-ISAF-100ML		P4B522-ISAF-100MLE
22222	110	075444	P4B526-ISAF-110MR	077561	P4B526-ISAF-110MRE		P4B526-ISAF-110ML		P4B526-ISAF-110MLE
22226	115	077652	P4B526-ISAF-115MR		P4B526-ISAF-115MRE		P4B526-ISAF-115ML		P4B526-ISAF-115MLE
22226	125	075431	P4B528-ISAF-125MR		P4B528-ISAF-125MRE	077473	P4B528-ISAF-125ML		P4B528-ISAF-125MLE
22228	130	075306	P4B532-ISAF-130MR		P4B532-ISAF-130MRE		P4B532-ISAF-130ML		P4B532-ISAF-130MLE
22228	140	073938	P4B532-ISAF-140MR		P4B532-ISAF-140MRE		P4B532-ISAF-140ML		P4B532-ISAF-140MLE
22232	150	075432	P4B534-ISAF-150MR	077897	P4B534-ISAF-150MRE		P4B534-ISAF-150ML		P4B534-ISAF-150MLE
22236	160	074613	P4B536-ISAF-160MR	074614	P4B536-ISAF-160MRE		P4B536-ISAF-160ML		P4B536-ISAF-160MLE
22236	170	062461	P4B536-ISAF-170MR		P4B536-ISAF-170MRE		P4B536-ISAF-170ML		P4B536-ISAF-170MLE
22236	170	062270	P4B538-ISAF-170MR		P4B538-ISAF-170MRE		P4B538-ISAF-170ML		P4B538-ISAF-170MLE

FEATURES/BENEFITS PAGE B14-2	SPECIFICATIONS PAGE B14-5	HOW TO ORDER/NOMENCLATURE PAGE B14-8	SELECTION PAGE B14-14
---------------------------------	------------------------------	---	--------------------------

DIMENSIONS



IMPERIAL ISAF 65 THRU 170MM - 4-BOLT

Bearing Reference Guide

E-Family Roller Bearings

Specialty Tapered Products

S-2000

UNISPHERE II

IMPERIAL

UNIFIED SAF

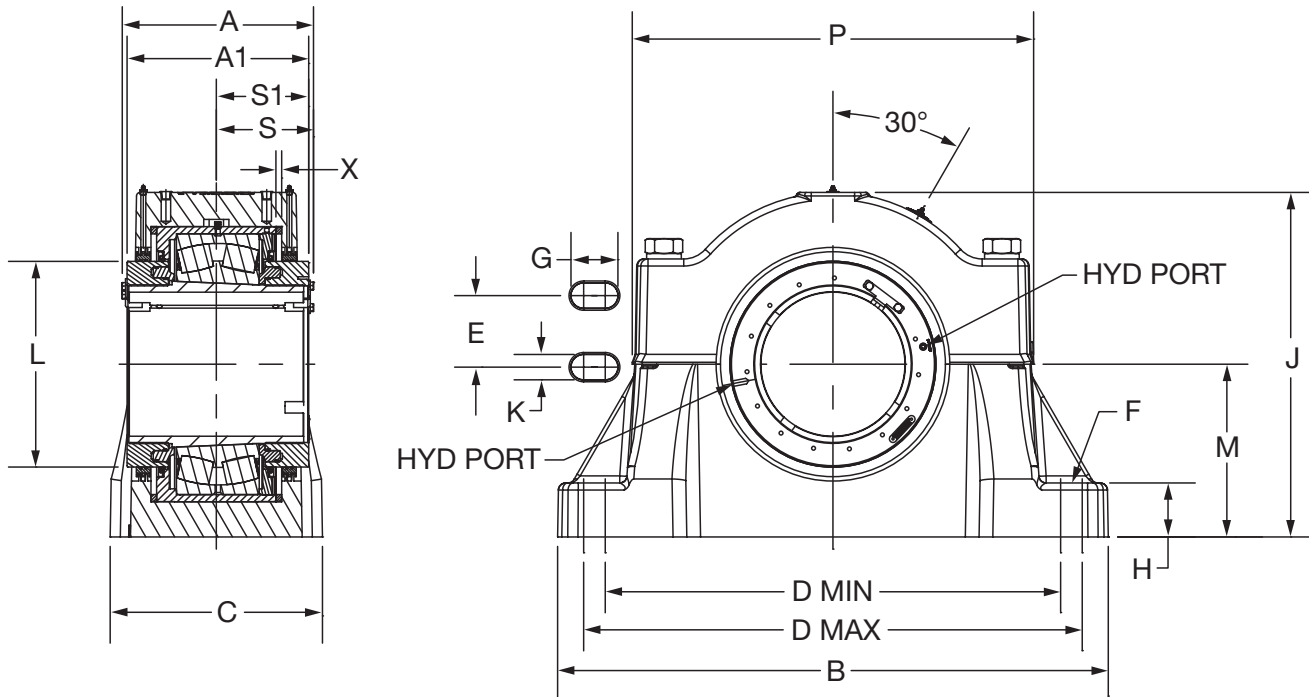
Shaft Size	SAF Series	A	B	C	D		E	F	G	H	J	L	M	P	S	X Expansion	Y	Z
					Min	Max												
65	515	86.87	282.70	79.50	219.20	244.60	47.75	M12	28.70	31.75	174.24	98.55	82.55	188.47	52.32	7.94	0.76	74.68
70	516	88.90	319.79	88.90	250.95	279.40	54.10	M16	33.27	25.40	190.50	108.71	88.90	211.07	54.86	5.95	0.76	88.14
75	517	88.90	319.79	88.90	250.95	279.40	54.10	M16	33.27	31.75	196.85	108.71	95.25	211.07	54.86	5.95	0.76	88.14
85 90	520	105.66	390.14	110.24	299.97	333.50	60.45	M20	41.40	40.64	234.95	127.00	114.30	257.30	62.99	9.53	0.76	102.87
90 100	522	119.38	419.10	120.65	319.79	368.30	69.85	M20	46.48	43.94	258.57	141.22	125.48	272.29	72.64	9.53	0.76	114.30
110 115	526	132.84	466.85	130.30	368.30	406.40	82.55	M22	44.45	52.32	296.16	163.58	152.40	316.74	78.49	9.53	1.02	127.00
125	528	151.89	500.38	149.35	397.00	441.45	85.85	M24	50.80	52.32	315.21	193.80	152.40	339.85	93.73	9.53	1.02	148.34
130 140	532	156.72	550.16	158.75	441.45	488.95	95.25	M24	52.32	59.44	317.50	222.25	169.93	339.85	92.46	9.53	1.02	150.37
150	534	179.83	628.65	171.45	492.25	549.40	107.95	M24	57.15	73.15	347.73	260.35	179.32	383.29	104.39	9.53	1.02	178.31
160 170	536	187.71	679.45	188.72	530.35	600.20	102.36	M24	63.50	76.20	384.30	289.81	190.50	441.45	110.24	9.53	1.02	200.41
170	538	187.71	711.20	190.50	549.40	619.25	114.30	M30	69.85	79.50	393.70	289.81	200.15	441.45	110.24	9.53	1.02	200.41

FEATURES/BENEFITS PAGE B14-2	SPECIFICATIONS PAGE B14-5	HOW TO ORDER/NOMENCLATURE PAGE B14-8	SELECTION PAGE B14-14
---------------------------------	------------------------------	---	--------------------------



DIMENSIONS

ISAF PILLOW BLOCK HYDRAULIC



Part Numbers - Hydraulic ISAF

Housing Designation	Bearing Series	Shaft Size	Part Number	Description	Insert Number
532	22232K	5-7/16"	072955	P4B532-ISAF-507R HYD	072954
532	22232K	5-1/2"	072564	P4B532-ISAF-508R HYD	072572
534	22234K	5-15/16"	072959	P4B534-ISAF-515R HYD	072958
534	22234K	6"	072565	P4B534-ISAF-600R HYD	072573
536	22236K	6-7/16"	072963	P4B536-ISAF-607R HYD	072962
536	22236K	6-1/2"	072566	P4B536-ISAF-608R HYD	072574
538	22238K	6-15/16"	072967	P4B538-ISAF-615R HYD	072966
538	22238K	7"	072567	P4B538-ISAF-700R HYD	072575
544	22244K	7-15/16"	072490	P4B544-ISAF-715R HYD	072492
544	22244K	8"	072000	P4B544-ISAF-800R HYD	072014
048	23048K	8-1/2"	072820	P4B048-ISAF-808R HYD	072822
048	23048K	9"	072001	P4B048-ISAF-900R HYD	072015
3152	23152K	9-7/16"	072786	P4B3152-ISAF-907R HYD	072791
3152	23152K	9-1/2"	072789	P4B3152-ISAF-908R HYD	072792
056	23056K	10"	072002	P4B056-ISAF-1000R HYD	072016
056	23056K	10-7/16"	072772	P4B056-ISAF-1007R HYD	072771
056	23056K	10-1/2"	074115	P4B056-ISAF-1008R HYD	074117

Housing Designation	Bearing Series	Shaft Size	Part Number	Description	Insert Number
3156	23156K	10-7/16"	072742	P4B3156-ISAF-1007R HYD	072746
3156	23156K	10-1/2"	072744	P4B3156-ISAF-1008R HYD	072747
060	23060K	11"	072003	P4B056-ISAF-1100R HYD	072017
3160	23160K	10-15/16"	072831	P4B3160-ISAF-1015R HYD	072835
3160	23160K	11"	072833	P4B3160-ISAF-1100R HYD	072836
3164	23164K	11-15/16"	072857	P4B3164-ISAF-1115R HYD	
3164	23164K	12"	072859	P4B3164-ISAF-1200R HYD	
068	23068K	12-1/2"	072004	P4B068-ISAF-1208R HYD	072018
3168	23168K	12-7/16"	072910	P4B3168-ISAF-1207R HYD	
3168	23168K	12-1/2"	072911	P4B3168-ISAF-1208R HYD	
3172	23172K	13-7/16"	072706	P4B3172-ISAF-1307R HYD	072710
3172	23172K	13-1/2"	072708	P4B3172-ISAF-1308R HYD	072711
076	23076K	14"	072005	P4B076-ISAF-1400R HYD	072019
3176	23176K	13-15/16"	072688	P4B3176-ISAF-1400R HYD	072692
3176	23176K	14"	072690	P4B3176-ISAF-1315R HYD	072693
080	23080K	15"	072006	P4B080-ISAF-1500R HYD	072020

DIMENSIONS



ISAF PILLOW BLOCK HYDRAULIC

Bearing Reference Guide

E-Family Roller Bearings

Specialty Tapered Products

S-2000

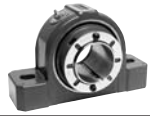
UNISPHERE II

IMPERIAL

UNIFIED SAF

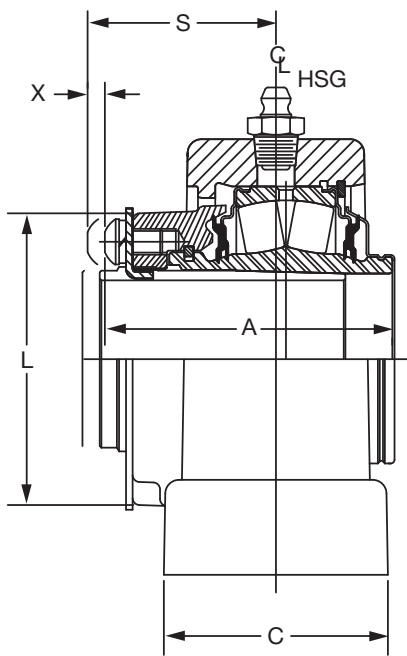
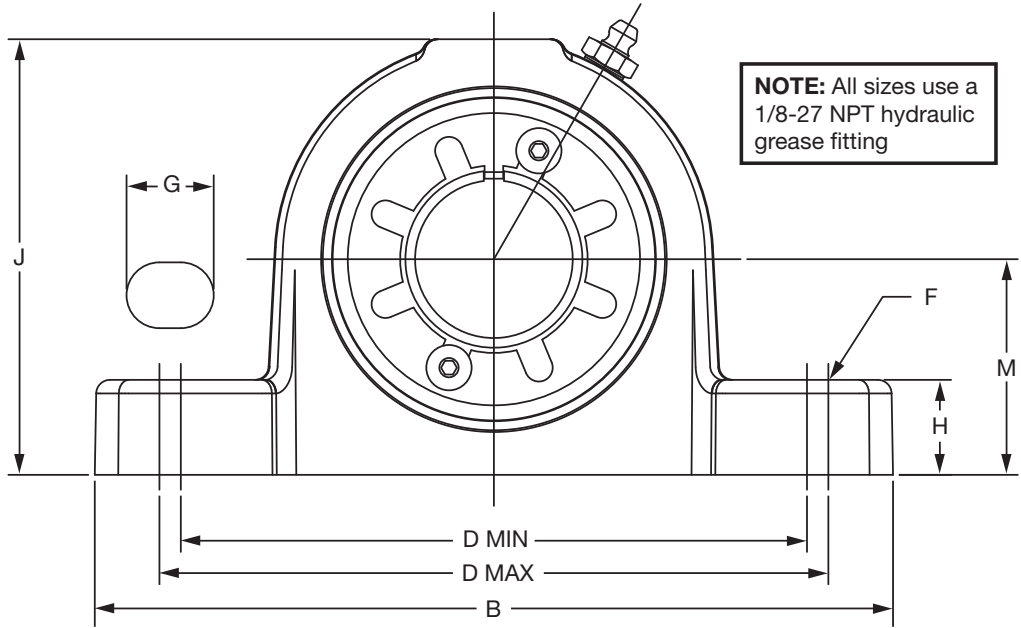
Shaft Size	SAF Series	Bearing Series	A	A1	B	C	D		E	F Bolts	G	H	J	K	L	M	P	S	S1	X Exp
							Min	Max												
5-7/16" 5-1/2"	532	22232K	9.59	9.05	21.66	6.25	17.38	19.25	3.75	1	2.06	2.34	13.82	1.12	9.68	6.69	16.38	4.68	4.41	0.38
5-15/16" 6"	534	22234K	9.81	9.26	24.75	6.75	19.38	21.63	4.25	1	2.25	2.87	14.56	1.12	10.19	7.06	17.38	4.81	4.54	0.38
6-7/16" 6-1/2"	536	22236K	10.15	9.60	26.75	7.13	20.88	23.63	4.63	1	2.50	3.00	15.25	1.12	10.45	7.50	18.38	4.82	4.55	0.38
6-15/16" 7"	538	22238K	10.20	9.66	28.00	7.50	21.63	24.38	4.50	1-1/4	2.75	3.13	16.37	1.38	10.96	7.88	19.38	4.94	4.67	0.38
7-15/16" 8"	544	22244K	10.58	9.91	32.75	8.88	24.75	27.88	5.25	1-1/2	3.18	3.75	19.38	1.62	12.23	9.50	22.75	5.12	4.79	0.38
8-1/2" 9"	048	23048K	10.28	9.62	28.75	8.00	22.50	25.00	5.00	1-1/4	2.63	3.38	17.34	1.38	12.24	8.25	20.88	5.14	4.80	0.38
9-7/16" 9-1/2"	3152	23152K	13.17	12.51	35.00	13.12	29.00	30.50	8.75	1-5/8	2.50	3.75	21.55	1.76	13.26	10.25	24.32	6.59	6.26	0.78
10" 10-7/16" 10-1/2"	056	23056K	10.99	10.33	34.25	9.00	26.25	29.50	5.50	1-1/2	3.25	4.00	20.12	1.62	14.28	9.88	23.88	5.58	5.24	0.38
10-7/16" 10-1/2"	3156	23156K	13.28	12.61	38.25	14.75	31.63	34.63	9.00	1-5/8	3.25	3.75	23.93	1.76	14.28	12.00	27.87	6.75	6.41	0.78
11"	060	23060K	11.49	10.82	38.25	14.75	31.63	34.63	9.00	1-5/8	3.25	3.75	23.93	1.76	15.30	12.00	27.87	5.71	5.38	0.38
10-15/16" 11"	3160	23160K	13.80	13.13	38.25	14.75	31.63	34.63	9.00	1-5/8	3.25	3.37	24.50	1.76	15.30	12.00	26.88	7.03	6.70	0.78
11-15/16" 12"	3164	23164K	14.46	13.79	41.75	15.75	35.00	36.50	10.50	1-7/8	2.75	4.50	26.58	2.00	16.33	12.81	29.50	7.22	6.89	0.78
12-1/2"	068	23068K	12.08	11.23	39.00	15.25	32.00	34.00	10.00	1-7/8	3.00	4.56	24.50	2.00	17.32	12.00	28.81	6.01	5.59	0.38
12-7/16" 12-1/2"	3168	23168K	15.23	14.39	43.58	17.75	36.75	38.25	10.75	2	2.87	5.00	28.06	2.12	17.31	14.00	31.50	7.58	7.16	0.78
13-7/16" 13-1/2"	3172	23172K	15.16	14.49	46.00	17.13	39.25	40.75	11.00	2	2.87	5.25	29.25	2.12	18.35	14.50	33.56	7.71	7.38	0.78
14"	076	23076K	13.01	12.09	41.75	15.75	35.00	36.50	10.50	2	2.87	4.50	26.58	2.12	18.48	12.81	29.50	6.40	5.94	0.38
13-15/16" 14"	3176	23176K	15.83	14.91	46.00	17.13	39.25	40.75	11.00	2	2.87	5.25	29.50	2.12	18.48	14.50	33.56	8.04	7.58	0.78
15"	080	23080K	13.54	12.62	46.00	17.13	39.25	40.75	11.00	2	2.87	5.75	29.00	2.12	19.49	14.50	33.56	6.68	6.22	0.38

FEATURES/BENEFITS PAGE B14-2	SPECIFICATIONS PAGE B14-5	HOW TO ORDER/NOMENCLATURE PAGE B14-8	SELECTION PAGE B14-14
---------------------------------	------------------------------	---	--------------------------

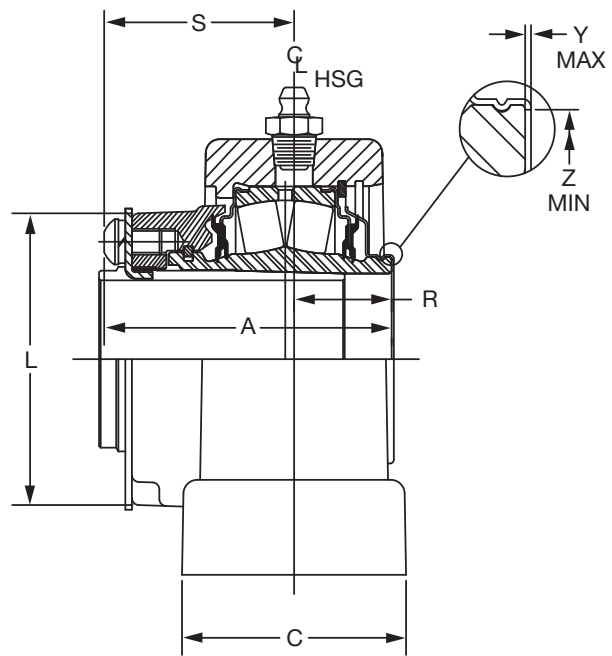


DIMENSIONS

IMPERIAL - ISN Metric Pillow Block 30 THROUGH 140mm, 2-BOLT



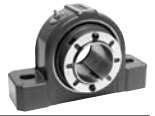
EXPANSION



NON-EXPANSION

FEATURES/BENEFITS PAGE B14-2	SPECIFICATIONS PAGE B14-5	HOW TO ORDER/NOMENCLATURE PAGE B14-8	SELECTION PAGE B14-14
---------------------------------	------------------------------	---	--------------------------

DIMENSIONS



IMPERIAL - ISN Metric Pillow Block 30 THROUGH 140mm, 2-BOLT

Bearing	Shaft Size mm	TRIDENT SEAL				LABYRINTH SEAL			
		NON-EXPANSION		EXPANSION		NON-EXPANSION		EXPANSION	
		Part Number	Description	Part Number	Description	Part Number	Description	Part Number	Description
22208	30mm	071000	P2B507-ISN-030MFR	071017	P2B507-ISN-030MLR	071034	P2B507-ISN-030MFS	071051	P2B507-ISN-030MLS
	35mm	071001	P2B508-ISN-035MFR	071018	P2B508-ISN-035MLR	071035	P2B508-ISN-035MFS	071052	P2B508-ISN-035MLS
22209	40mm	071002	P2B509-ISN-040MFR	071019	P2B509-ISN-040MLR	071036	P2B509-ISN-040MFS	071053	P2B509-ISN-040MLS
22210	45mm	071003	P2B510-ISN-045MFR	071020	P2B510-ISN-045MLR	071037	P2B510-ISN-045MFS	071054	P2B510-ISN-045MLS
	50mm	071004	P2B511-ISN-050MFR	071021	P2B511-ISN-050MLR	071038	P2B511-ISN-050MFS	071055	P2B511-ISN-050MLS
22211	55mm	071005	P2B512-ISN-055MFR	071022	P2B512-ISN-055MLR	071039	P2B512-ISN-055MFS	071056	P2B512-ISN-055MLS
22213	60mm	071006	P2B513-ISN-060MFR	071023	P2B513-ISN-060MLR	071040	P2B513-ISN-060MFS	071057	P2B513-ISN-060MLS
22215	65mm	071007	P2B515-ISN-065MFR	071024	P2B515-ISN-065MLR	071041	P2B515-ISN-065MFS	071058	P2B515-ISN-065MLS
22215	70mm	071008	P2B516-ISN-070MFR	071025	P2B516-ISN-070MLR	071042	P2B516-ISN-070MFS	071059	P2B516-ISN-070MLS
22215	75mm	071009	P2B517-ISN-075MFR	071026	P2B517-ISN-075MLR	071043	P2B517-ISN-075MFS	071060	P2B517-ISN-075MLS
22218	80mm	071010	P2B518-ISN-080MFR	071027	P2B518-ISN-080MLR	071044	P2B518-ISN-080MFS	071061	P2B518-ISN-080MLS
22218	85mm	071011	P2B519-ISN-085MFR	071028	P2B519-ISN-085MLR	071045	P2B519-ISN-085MFS	071062	P2B519-ISN-085MLS
22220	90mm	071012	P2B520-ISN-090MFR	071029	P2B520-ISN-090MLR	071046	P2B520-ISN-090MFS	071063	P2B520-ISN-090MLS
	100mm	071013	P2B522-ISN-100MFR	071030	P2B522-ISN-100MLR	071047	P2B522-ISN-100MFS	071064	P2B522-ISN-100MLS
22222	110mm	071014	P2B524-ISN-110MFR	071031	P2B524-ISN-110MLR	071048	P2B524-ISN-110MFS	071065	P2B524-ISN-110MLS
22226	115mm	071015	P2B526-ISN-115MFR	071032	P2B526-ISN-115MLR	071049	P2B526-ISN-115MFS	071066	P2B526-ISN-115MLS
	125mm	071016	P2B528-ISN-125MFR	071033	P2B528-ISN-125MLR	071050	P2B528-ISN-125MFS	071067	P2B528-ISN-125MLS
22228	135mm	071102	P2B530-ISN-135MFR	071103	P2B530-ISN-135MLR	071104	P2B530-ISN-135MFS	071105	P2B530-ISN-135MLS
22232	140mm	071106	P2B532-ISN-140MFR	071107	P2B532-ISN-140MLR	071108	P2B532-ISN-140MFS	071109	P2B532-ISN-140MFS

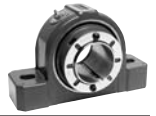
Shaft Size mm	A	B	C	D		F Bolt Dia.	G	H	J	L	M	R	S	T	Y	Z
				min.	max.											
30	66.7	184.9	52.0	145.0	155.0	M12	20.0	22.0	100.9	67.6	50.0	22.6	44.1	4.0	0.51	45.7
35	66.7	205.9	60.2	150.0	174.6	M12	27.3	25.0	110.8	67.6	60.0	22.6	44.1	4.0	0.51	45.7
40	71.4	206.3	60.2	155.0	174.6	M12	24.8	25.0	114.0	74.7	60.0	20.6	50.8	6.5	0.51	52.8
45	72.6	204.9	60.2	160.0	175.0	M12	22.5	25.0	113.8	81.0	60.0	21.1	51.4	6.5	0.51	58.4
50	72.6	253.9	70.2	190.0	215.9	M16	31.0	28.0	124.5	81.0	70.0	21.1	51.4	6.5	0.76	66.0
55	77.0	253.9	69.9	190.0	216.0	M16	31.0	30.0	130.3	87.1	70.0	23.1	54.2	7.0	0.76	66.0
60	86.9	274.9	80.2	205.0	235.0	M16	33.0	30.0	152.4	96.5	80.0	27.1	59.7	7.0	0.76	74.9
65	88.9	280.1	80.1	215.0	236.0	M16	28.5	30.0	156.0	106.7	80.0	26.9	61.7	7.0	0.76	88.1
70	88.9	315.9	90.2	244.5	268.3	M20	34.1	32.0	176.0	106.7	95.0	26.9	61.7	7.0	0.76	88.1
75	88.9	315.9	90.2	244.5	268.3	M20	34.1	32.0	176.0	106.7	95.0	26.9	61.7	7.0	0.76	88.1
80	106.0	345.3	100.3	270.0	293.7	M20	34.0	35.0	196.7	124.7	100.0	34.5	71.4	7.0	0.76	102.9
85	106.0	345.0	100.2	264.2	296.1	M20	37.9	35.0	205.2	124.7	112.0	34.5	71.4	7.0	0.76	102.9
90	120.0	379.8	110.2	292.8	327.0	M24	43.1	40.0	218.3	138.7	112.0	37.2	82.3	8.0	0.76	114.3
100	120.0	410.0	120.0	314.4	356.0	M24	46.8	45.0	239.0	138.7	125.0	37.2	82.3	8.0	1.02	127.0
110	133.0	410.0	120.0	314.5	356.0	M24	46.8	45.0	260.7	161.3	140.0	44.4	88.4	10.0	1.02	127.0
115	152.0	444.8	130.0	359.6	387.0	M24	41.7	50.0	292.8	191.8	150.0	48.6	103.2	10.0	1.02	148.3
125	152.0	500.0	150.2	400.0	427.0	M30	48.5	50.0	290.4	191.8	150.0	48.6	103.2	10.0	1.02	148.3
135	156.8	539.8	159.8	443.0	457.0	M30	42.0	60.0	312.5	222.2	160.0	51.8	105.0	16.3	1.02	150.4
140	179.8	560.0	160.0	463.0	477.0	M30	42.0	60.0	345.3	260.4	170.0	62.4	117.4	16.8	1.02	178.3

M = Size in millimeters otherwise 110 = 1 and 10/16"

Dimensions in mm

- F = Non-Expansion
- L = Expansion (Non-Locating)
- R = Trident Rubbing Seal
- S = Labyrinth Seal

FEATURES/BENEFITS PAGE B14-2	SPECIFICATIONS PAGE B14-5	HOW TO ORDER/NOMENCLATURE PAGE B14-8	SELECTION PAGE B14-14
---------------------------------	------------------------------	---	--------------------------



DIMENSIONS

ISNX Hydraulic

Bearing Reference Guide

E-Family Roller Bearings

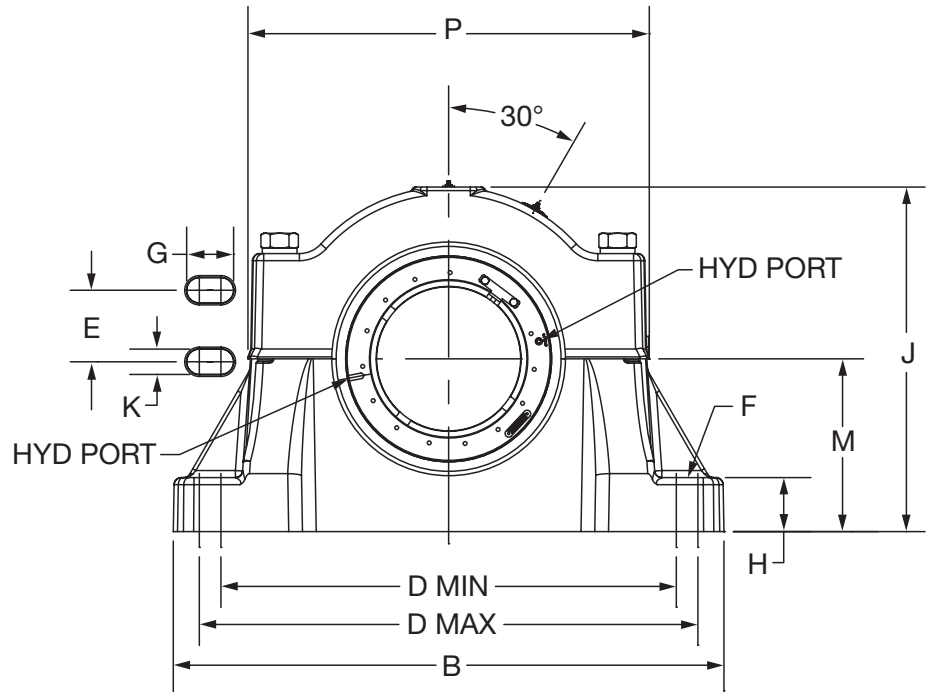
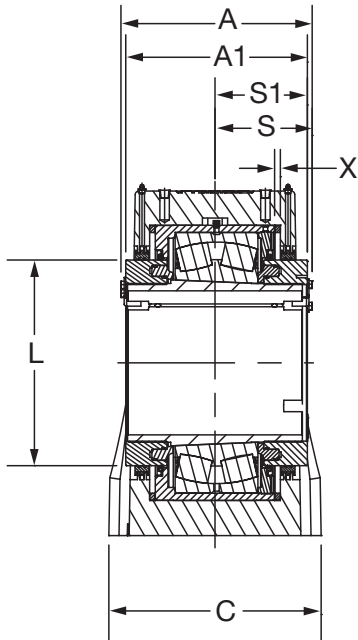
Specialty Tapered Products

S-2000

UNISPHERE II

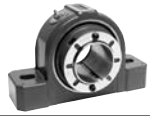
IMPERIAL

UNIFIED SAF



FEATURES/BENEFITS PAGE B14-2	SPECIFICATIONS PAGE B14-5	HOW TO ORDER/NOMENCLATURE PAGE B14-8	SELECTION PAGE B14-14
---------------------------------	------------------------------	---	--------------------------

DIMENSIONS

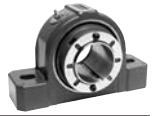


ISNX Hydraulic

Housing Designation	Bearing Series	Shaft Size	Part Number	Description	Insert Number
3134	23134K	150mm	072919	P4B134-ISNX-150MR HYD	072895
3136	23136K	160mm	072920	P4B136-ISNX-160MR HYD	072896
3138	23138K	170mm	072921	P4B138-ISNX-170MR HYD	072897
3140	23140K	180mm	072922	P4B140-ISNX-180MR HYD	072898
3144	23144K	200mm	072923	P4B144-ISNX-200MR HYD	072899
3148	23148K	220mm	072924	P4B148-ISNX-220MR HYD	072900
3152	23152K	240mm	072912	P4B152-ISNX-240MR HYD	072901
3156	23156K	260mm	072913	P4B156-ISNX-260MR HYD	072902
3160	23160K	280mm	072914	P4B160-ISNX-280MR HYD	072903
3164	23164K	300mm	072915	P4B164-ISNX-300MR HYD	072904
3168	23168K	320mm	072916	P4B168-ISNX-320MR HYD	072905
3172	23172K	340mm	072917	P4B172-ISNX-340MR HYD	072906
3176	23176K	360mm	072918	P4B176-ISNX-360MR HYD	072907

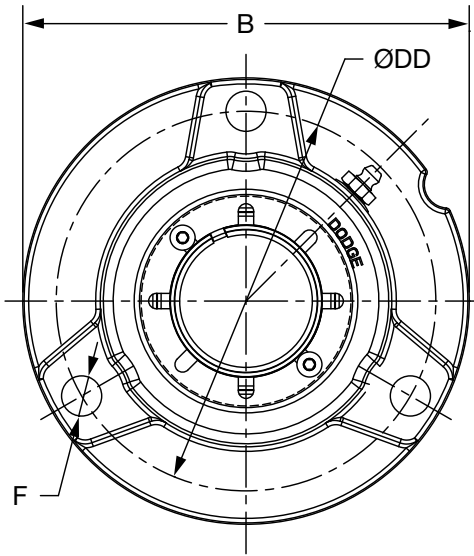
Shaft Size mm	Series	A	A1	A2	B	C	D		E	F Bolt Dia. mm	G	H	J	K	L	L2	M	P	S	S1	X Exp	Z
							min.	max.														
150	3134	254.5	240.5	155.2	510.0	180.1	423.9	436.1	100.1	24	34.0	70.1	360.4	27.9	252.5	268.7	169.9	416.1	124.0	116.8	19.8	0.0
160	3136	266.4	252.5	161.0	530.1	190.0	444.0	456.2	110.0	24	34.0	74.9	380.0	27.9	265.4	283.0	179.8	437.9	131.6	124.5	19.8	0.0
170	3138	268.5	254.5	168.1	560.1	210.1	474.0	486.2	119.9	24	34.0	80.0	399.5	27.9	278.4	295.9	190.0	458.2	133.9	127.0	19.8	0.0
180	3140	284.5	270.5	170.2	610.1	230.1	502.9	517.1	130.0	30	41.9	85.1	426.0	35.1	285.0	302.5	210.1	470.4	137.9	130.8	19.8	0.0
200	3144	294.9	277.9	175.8	640.1	239.8	532.9	547.1	140.2	30	41.9	89.9	450.9	35.1	310.6	328.4	220.0	500.4	143.8	135.1	19.8	0.0
220	3148	316.5	299.5	188.7	700.0	260.1	592.8	607.1	149.9	30	41.9	95.0	486.2	35.1	310.9	328.7	240.0	530.4	154.9	146.6	19.8	0.0
240	3152	334.5	317.8	197.1	770.1	279.9	642.1	658.1	160.0	36	50.0	100.1	546.9	41.9	336.8	354.3	259.8	617.7	167.4	159.0	19.8	0.0
260	3156	337.3	320.3	201.7	789.9	279.9	661.9	677.9	160.0	36	50.0	104.9	582.9	41.9	362.7	380.5	279.9	619.3	171.5	162.8	19.8	2.8
280	3160	350.5	333.5	208.5	830.1	310.1	702.1	718.1	190.0	36	50.0	110.0	617.5	41.9	388.6	405.9	300.0	682.8	178.6	170.2	19.8	3.0
300	3164	367.3	350.3	213.1	880.1	329.9	741.9	757.9	199.9	36	50.0	115.1	662.9	41.9	414.8	432.1	320.0	720.9	183.4	175.0	19.8	0.0
320	3168	386.8	365.5	222.3	950.0	359.9	802.1	818.1	220.0	36	50.0	119.9	697.0	41.9	439.7	457.2	339.9	755.9	192.5	181.9	19.8	0.0
340	3172	385.1	368.0	225.3	1000.0	359.9	832.1	848.1	220.0	36	50.0	119.9	724.7	41.9	466.1	483.6	350.0	809.8	195.8	187.5	19.8	2.3
360	3176	402.1	378.7	233.7	1039.9	359.9	862.1	878.1	220.0	36	50.0	119.9	740.9	41.9	469.4	486.7	359.9	822.5	204.2	192.5	19.8	0.0

FEATURES/BENEFITS PAGE B14-2	SPECIFICATIONS PAGE B14-5	HOW TO ORDER/NOMENCLATURE PAGE B14-8	SELECTION PAGE B14-14
---------------------------------	------------------------------	---	--------------------------

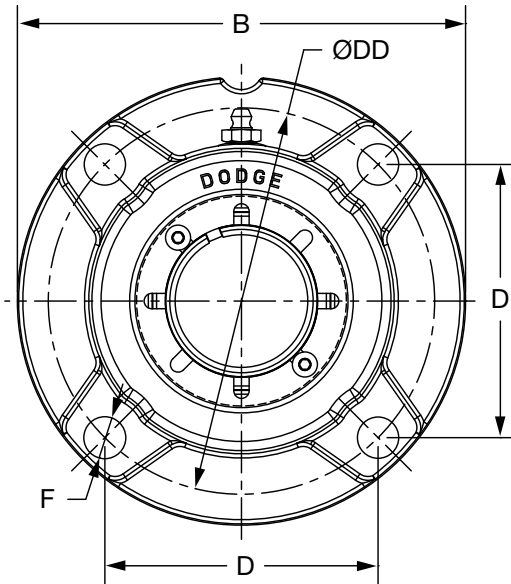


DIMENSIONS

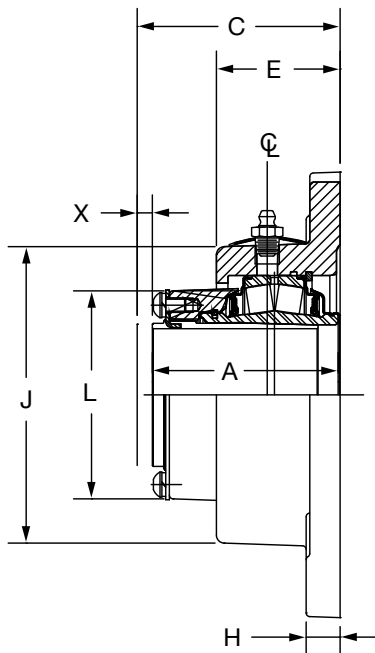
IMPERIAL - IP Flange - Round
1-1/8 THRU 2 INCH



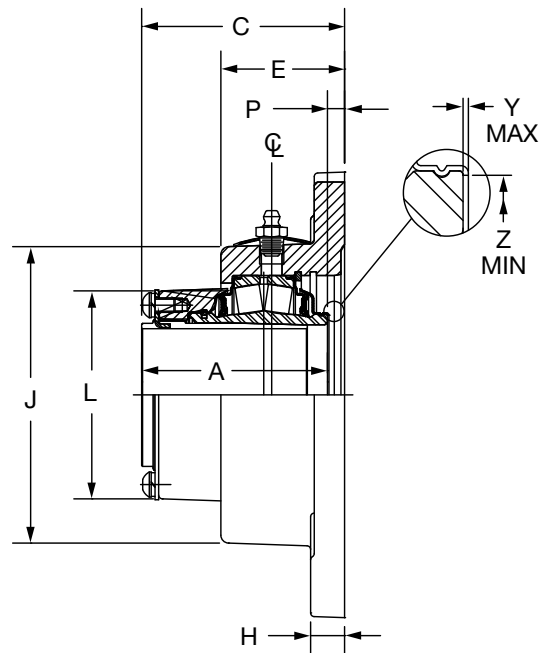
1-1/8" THRU 1-1/2"
CONSTRUCTION



1-5/8" - 2"
CONSTRUCTION



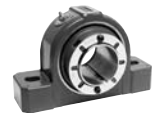
EXPANSION



NON-EXPANSION

NOTE: See page B14-64 for 2-3/16 thru 3 inch

FEATURES/BENEFITS PAGE B14-2	SPECIFICATIONS PAGE B14-5	HOW TO ORDER/NOMENCLATURE PAGE B14-8	SELECTION PAGE B14-14
---------------------------------	------------------------------	---	--------------------------



DIMENSIONS

IMPERIAL - IP Flange - Round 1-1/8 THRU 2 INCH

Bearing Reference Guide

E-Family Roller Bearings

Specialty Tapered Products

S-2000

UNISPHERE II

IMPERIAL

UNIFIED SAF

Bearing	Shaft Size Inch	TRIDENT Seal				Labyrinth Seal			
		Non-Expansion		Expansion		Non-Expansion		Expansion	
		Part No.	Part Name	Part No.	Part Name	Part No.	Part Name	Part No.	Part Name
22208	1-1/8		F3R-IP-102R	069630	F3R-IP-102RE	069651	F3R-IP-102L	069672	F3R-IP-102LE
	1-3/16	069593	F3R-IP-103R	069631	F3R-IP-103RE	069652	F3R-IP-103L	069673	F3R-IP-103LE
	1-1/4	069594	F3R-IP-104R	069632	F3R-IP-104RE	069653	F3R-IP-104L	069674	F3R-IP-104LE
	1-3/8	069595	F3R-IP-106R	069633	F3R-IP-106RE	069654	F3R-IP-106L	069675	F3R-IP-106LE
	1-7/16	069596	F3R-IP-107R	069634	F3R-IP-107RE	069655	F3R-IP-107L	069676	F3R-IP-107LE
	1-1/2	069597	F3R-IP-108R	069635	F3R-IP-108RE	069656	F3R-IP-108L	069677	F3R-IP-108LE
22209	1-5/8	069598	F4R-IP-110R	069636	F4R-IP-110RE	069657	F4R-IP-110L	069678	F4R-IP-110LE
	1-11/16	069599	F4R-IP-111R	069637	F4R-IP-111RE	069658	F4R-IP-111L	069679	F4R-IP-111LE
	1-3/4	069600	F4R-IP-112R	069638	F4R-IP-112RE	069659	F4R-IP-112L	069680	F4R-IP-112LE
22210	1-7/8	069601	F4R-IP-114R	069639	F4R-IP-114RE	069660	F4R-IP-114L	069681	F4R-IP-114LE
	1-15/16	069602	F4R-IP-115R	069640	F4R-IP-115RE	069661	F4R-IP-115L	069682	F4R-IP-115LE
	2	069603	F4R-IP-200R	069641	F4R-IP-200RE	069662	F4R-IP-200L	069683	F4R-IP-200LE

Metric shaft sizes available upon request

Shaft Size	A	B	C	D	DD	E	F Bolt Dia.	H	J	L	P	X Total Exp	Y	Z
1-1/8														
1-3/16														
1-1/4	2.63	5.88	2.86	3.53	5.00	1.80	*1/2	0.50	3.75	2.72	0.23	3/16	0.02	1.80
1-3/8														
1-7/16														
1-1/2														
1-5/8														
1-11/16	2.81	6.38	3.11	3.89	5.50	1.89	*1/2	0.50	4.25	3.00	0.27	1/4	0.02	2.08
1-3/4														
1-7/8														
1-15/16	2.86	6.69	3.16	4.06	5.75	1.92	**1/2	0.56	4.50	3.28	0.27	1/4	0.02	2.30
2														

* 3 Equally spaced bolt holes

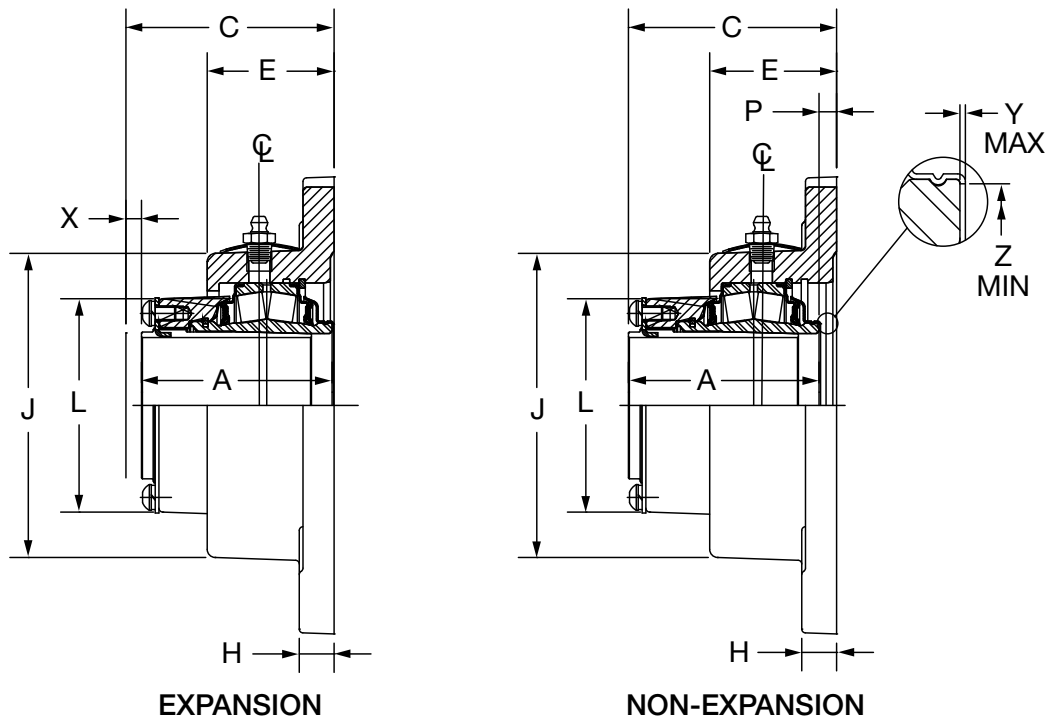
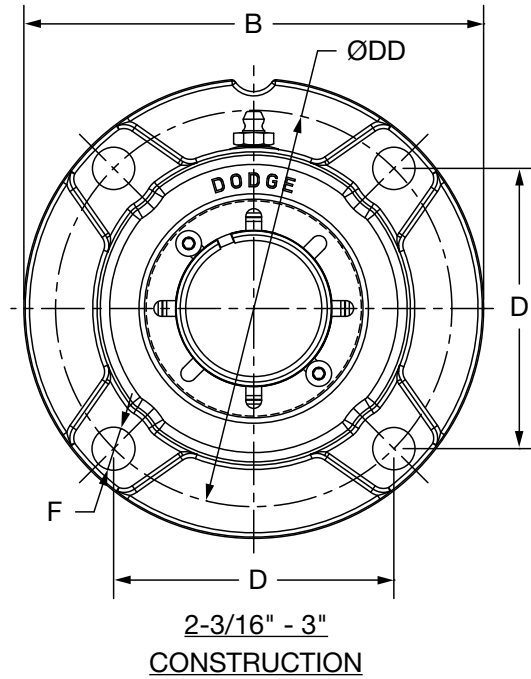
** 4 Equally spaced bolt holes

FEATURES/BENEFITS PAGE B14-2	SPECIFICATIONS PAGE B14-5	HOW TO ORDER/NOMENCLATURE PAGE B14-8	SELECTION PAGE B14-14
---------------------------------	------------------------------	---	--------------------------



DIMENSIONS

IMPERIAL - IP Flange - Round 2-3/16 THRU 3 INCH



NOTE: See page B14-62 for 1-1/8 thru 2 inch

FEATURES/BENEFITS PAGE B14-2	SPECIFICATIONS PAGE B14-5	HOW TO ORDER/NOMENCLATURE PAGE B14-8	SELECTION PAGE B14-14
---------------------------------	------------------------------	---	--------------------------

DIMENSIONS



IMPERIAL - IP Flange - Round 2-3/16 THRU 3 INCH

Bearing Reference Guide

E-Family Roller Bearings

Specialty Tapered Products

S-2000

UNISPHERE II

IMPERIAL

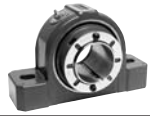
UNIFIED SAF

Bearing	Shaft Size Inch	TRIDENT Seal				Labyrinth Seal			
		Non-Expansion		Expansion		Non-Expansion		Expansion	
		Part No.	Part Name	Part No.	Part Name	Part No.	Part Name	Part No.	Part Name
22211	2-3/16	069604	F4R-IP-203R	069642	F4R-IP-203RE	069663	F4R-IP-203L	069684	F4R-IP-203LE
	2-1/4	069605	F4R-IP-204R	069643	F4R-IP-204RE	069664	F4R-IP-204L	069685	F4R-IP-204LE
22213	2-3/8	069606	F4R-IP-206R	069644	F4R-IP-206RE	069665	F4R-IP-206L	069686	F4R-IP-206LE
	2-7/16	069607	F4R-IP-207R	069645	F4R-IP-207RE	069666	F4R-IP-207L	069687	F4R-IP-207LE
	2-1/2	069608	F4R-IP-208R	069646	F4R-IP-208RE	069667	F4R-IP-208L	069688	F4R-IP-208LE
22215	2-11/16	069609	F4R-IP-211R	069647	F4R-IP-211RE	069668	F4R-IP-211L	069689	F4R-IP-211LE
	2-3/4	069610	F4R-IP-212R	069648	F4R-IP-212RE	069669	F4R-IP-212L	069690	F4R-IP-212LE
	2-15/16	069611	F4R-IP-215R	069649	F4R-IP-215RE	069670	F4R-IP-215L	069691	F4R-IP-215LE
	3	069612	F4R-IP-300R	069650	F4R-IP-300RE	069671	F4R-IP-300L	069692	F4R-IP-300LE

Metric shaft sizes available upon request

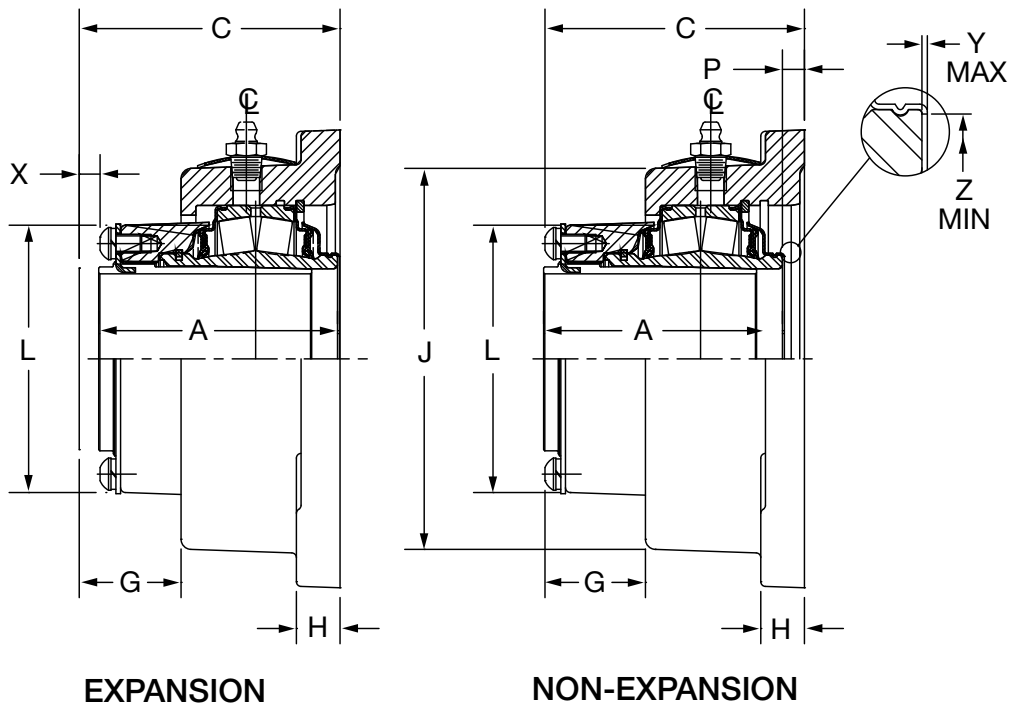
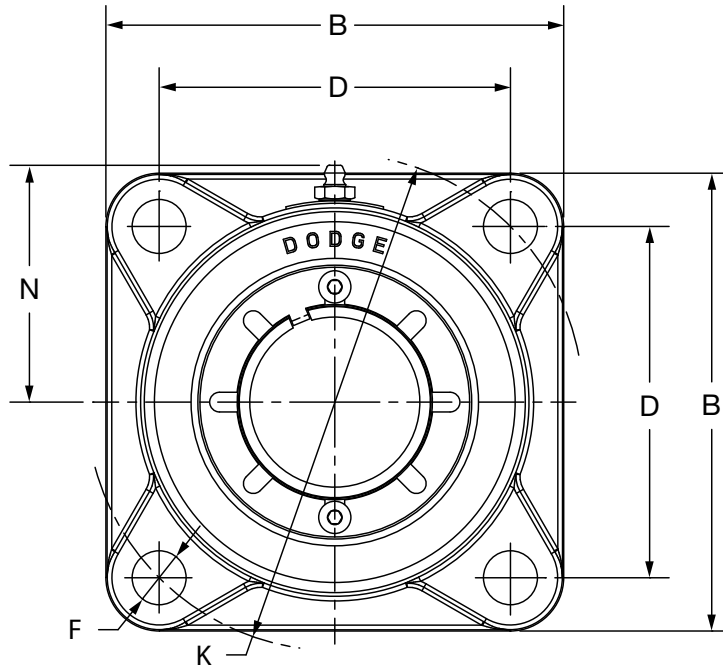
Shaft Size	A	B	C	D	DD	E	F Bolt Dia.	H	J	L	P	X Total Exp	Y	Z
2-3/16 2-1/4	3.03	7.38	3.34	4.50	6.38	2.05	5/8	0.56	4.80	3.50	0.31	1/4	0.03	2.60
2-3/8 2-7/16 2-1/2	3.42	7.75	3.73	4.77	6.75	2.38	5/8	0.64	5.38	3.88	0.31	1/4	0.03	2.95
2-11/16 2-3/4 2-15/16 3	3.50	9.25	3.81	5.56	7.88	2.39	3/4	0.75	6.25	4.28	0.31	1/4	0.03	3.47

FEATURES/BENEFITS PAGE B14-2	SPECIFICATIONS PAGE B14-5	HOW TO ORDER/NOMENCLATURE PAGE B14-8	SELECTION PAGE B14-14
---------------------------------	------------------------------	---	--------------------------



DIMENSIONS

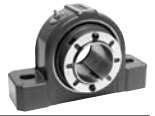
IMPERIAL - IP Flange - Square 1-1/8 THRU 2-1/4 INCH



NOTE: See page B14-68 for 2-3/8 thru 4 inch

FEATURES/BENEFITS PAGE B14-2	SPECIFICATIONS PAGE B14-5	HOW TO ORDER/NOMENCLATURE PAGE B14-8	SELECTION PAGE B14-14
---------------------------------	------------------------------	---	--------------------------

DIMENSIONS



IMPERIAL - IP Flange - Square 1-1/8 THRU 2-1/4 INCH

Bearing Reference Guide

E-Family Roller Bearings

Specialty Tapered Products

S-2000

UNISPHERE II

IMPERIAL

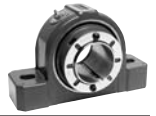
UNIFIED SAF

Bearing	Shaft Size Inch	TRIDENT Seal				Labyrinth Seal			
		Non-Expansion		Expansion		Non-Expansion		Expansion	
		Part No.	Part Name	Part No.	Part Name	Part No.	Part Name	Part No.	Part Name
22208	1-1/8	069693	F4S-IP-102R	069721	F4S-IP-102RE	069749	F4S-IP-102L	069777	F4S-IP-102LE
	1-3/16	069694	F4S-IP-103R	069722	F4S-IP-103RE	069750	F4S-IP-103L	069778	F4S-IP-103LE
	1-1/4	069695	F4S-IP-104R	069723	F4S-IP-104RE	069751	F4S-IP-104L	069779	F4S-IP-104LE
	1-3/8	069696	F4S-IP-106R	069724	F4S-IP-106RE	069752	F4S-IP-106L	069780	F4S-IP-106LE
	1-7/16	069697	F4S-IP-107R	069725	F4S-IP-107RE	069753	F4S-IP-107L	069781	F4S-IP-107LE
	1-1/2	069698	F4S-IP-108R	069726	F4S-IP-108RE	069754	F4S-IP-108L	069782	F4S-IP-108LE
22209	1-5/8	069699	F4S-IP-110R	069727	F4S-IP-110RE	069755	F4S-IP-110L	069783	F4S-IP-110LE
	1-11/16	069700	F4S-IP-111R	069728	F4S-IP-111RE	069756	F4S-IP-111L	069784	F4S-IP-111LE
	1-3/4	069701	F4S-IP-112R	069729	F4S-IP-112RE	069757	F4S-IP-112L	069785	F4S-IP-112LE
22210	1-7/8	069702	F4S-IP-114R	069730	F4S-IP-114RE	069758	F4S-IP-114L	069786	F4S-IP-114LE
	1-15/16	069703	F4S-IP-115R	069731	F4S-IP-115RE	069759	F4S-IP-115L	069787	F4S-IP-115LE
	2	069704	F4S-IP-200R	069732	F4S-IP-200RE	069760	F4S-IP-200L	069788	F4S-IP-200LE
22211	2-3/16	069705	F4S-IP-203R	069733	F4S-IP-203RE	069761	F4S-IP-203L	069789	F4S-IP-203LE
	2-1/4	069706	F4S-IP-204R	069734	F4S-IP-204RE	069762	F4S-IP-204L	069790	F4S-IP-204LE

Metric shaft sizes available upon request

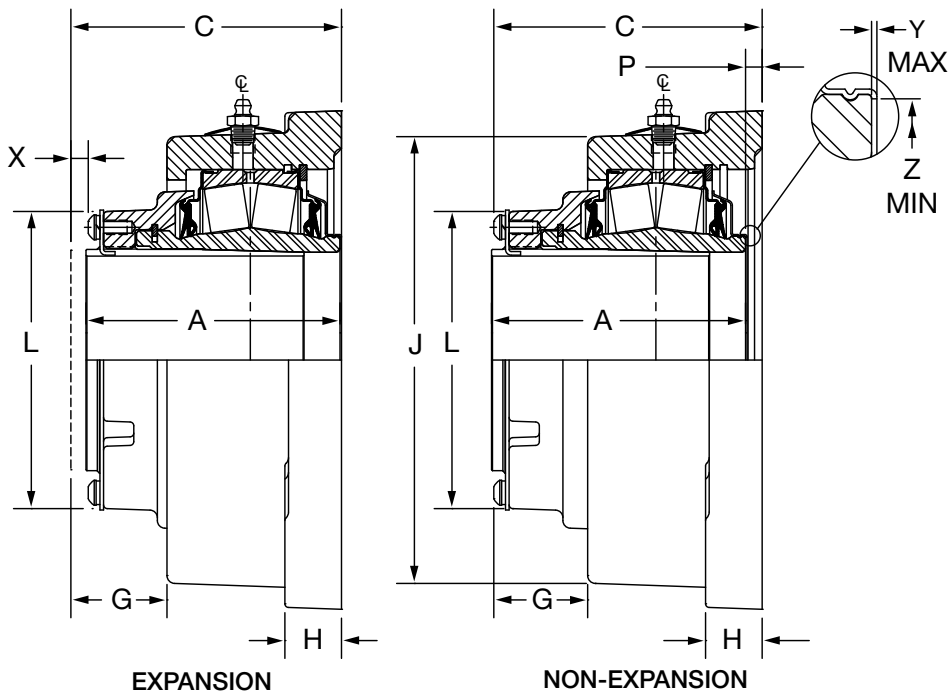
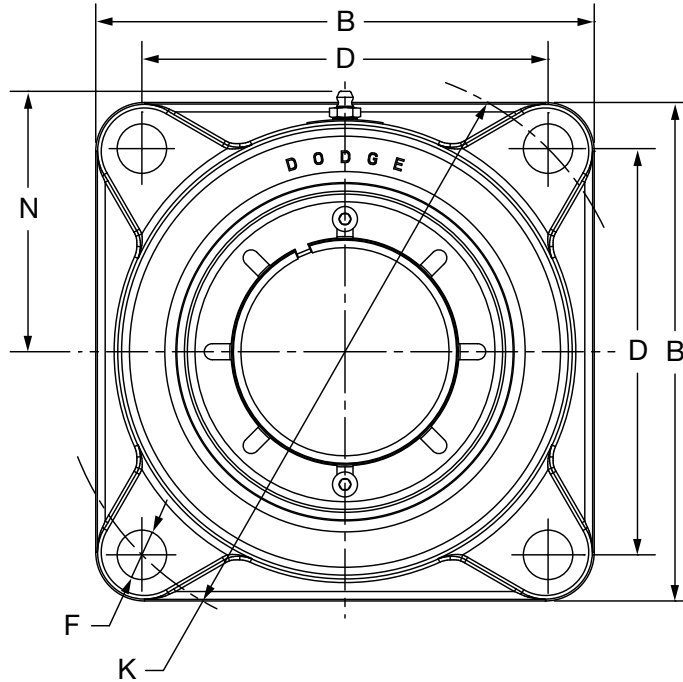
Shaft Size	A	B	C	D	F Bolt Dia.	G	H	J	K	L	N	P	X Total Exp.	Y	Z
1-1/8 1-3/16 1-1/4 1-3/8 1-7/16 1-1/2	2.63	4.75	2.86	3.53	1/2	1.08	0.50	3.81	5.00	2.72	2.48	0.23	3/16	0.02	1.80
1-5/8 1-11/16 1-3/4	2.81	5.13	3.11	3.89	1/2	1.20	0.50	4.41	5.50	3.00	2.78	0.30	1/4	0.02	2.08
1-7/8 1-15/16 2	2.86	5.30	3.16	4.06	1/2	1.23	0.56	4.97	5.75	3.28	2.91	0.30	1/4	0.02	2.30
2-3/16 2-1/4	3.03	5.88	3.34	4.52	5/8	1.31	0.56	5.02	6.38	3.80	3.09	0.31	1/4	0.02	2.60

FEATURES/BENEFITS PAGE B14-2	SPECIFICATIONS PAGE B14-5	HOW TO ORDER/NOMENCLATURE PAGE B14-8	SELECTION PAGE B14-14
---------------------------------	------------------------------	---	--------------------------



DIMENSIONS

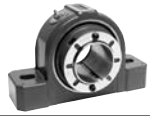
IMPERIAL - IP Flange - Square 2-3/8 THRU 4 INCH



NOTE: See page B14-66 for 1-1/8 thru 2-1/4 inch

FEATURES/BENEFITS PAGE B14-2	SPECIFICATIONS PAGE B14-5	HOW TO ORDER/NOMENCLATURE PAGE B14-8	SELECTION PAGE B14-14
---------------------------------	------------------------------	---	--------------------------

DIMENSIONS



IMPERIAL - IP Flange - Square 2-3/8 THRU 4 INCH

Bearing Reference Guide

E-Family Roller Bearings

Specialty Tapered Products

S-2000

UNISPHERE II

IMPERIAL

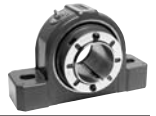
UNIFIED SAF

Bearing	Shaft Size Inch	TRIDENT Seal				Labyrinth Seal			
		Non-Expansion		Expansion		Non-Expansion		Expansion	
		Part No.	Part Name	Part No.	Part Name	Part No.	Part Name	Part No.	Part Name
22213	2-3/8	069707	F4S-IP-206R	069735	F4S-IP-206RE	069763	F4S-IP-206L	069791	F4S-IP-206LE
	2-7/16	069708	F4S-IP-207R	069736	F4S-IP-207RE	069764	F4S-IP-207L	069792	F4S-IP-207LE
	2-1/2	069709	F4S-IP-208R	069737	F4S-IP-208RE	069765	F4S-IP-208L	069793	F4S-IP-208LE
22215	2-11/16	069710	F4S-IP-211R	069738	F4S-IP-211RE	069766	F4S-IP-211L	069794	F4S-IP-211LE
	2-3/4	069711	F4S-IP-212R	069739	F4S-IP-212RE	069767	F4S-IP-212L	069795	F4S-IP-212LE
	2-15/16	069712	F4S-IP-215R	069740	F4S-IP-215RE	069768	F4S-IP-215L	069796	F4S-IP-215LE
	3	069713	F4S-IP-300R	069741	F4S-IP-300RE	069769	F4S-IP-300L	069797	F4S-IP-300LE
22218	3-3/16	069714	F4S-IP-303R	069742	F4S-IP-303RE	069770	F4S-IP-303L	069798	F4S-IP-303LE
	3-1/4	069715	F4S-IP-304R	069743	F4S-IP-304RE	069771	F4S-IP-304L	069799	F4S-IP-304LE
	3-7/16	069716	F4S-IP-307R	069744	F4S-IP-307RE	069772	F4S-IP-307L	069800	F4S-IP-307LE
	3-1/2	069717	F4S-IP-308R	069745	F4S-IP-308RE	069773	F4S-IP-308L	069801	F4S-IP-308LE
22220	3-11/16	069718	F4S-IP-311R	069746	F4S-IP-311RE	069774	F4S-IP-311L	069802	F4S-IP-311LE
	3-15/16	069719	F4S-IP-315R	069747	F4S-IP-315RE	069775	F4S-IP-315L	069803	F4S-IP-315LE
	4	069720	F4S-IP-400R	069748	F4S-IP-400RE	069776	F4S-IP-400L	069804	F4S-IP-400LE

Metric shaft sizes available upon request

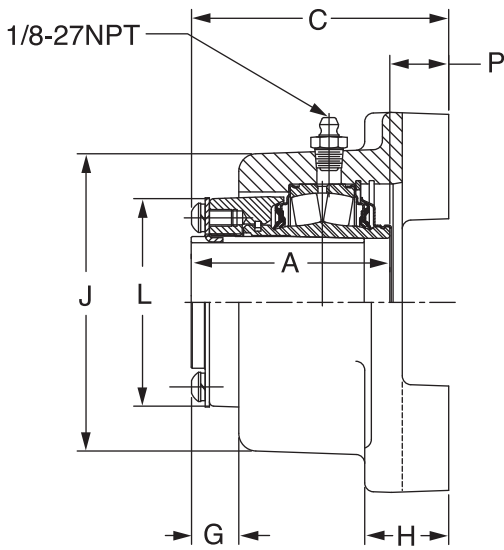
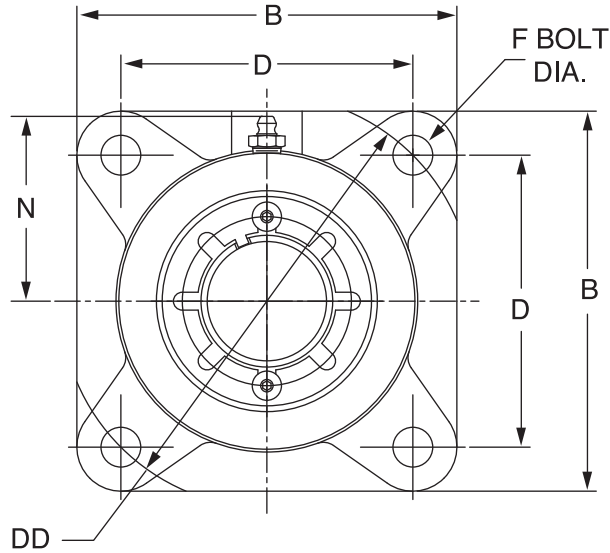
Shaft Size	A	B	C	D	F Bolt Dia.	G	H	J	K	L	N	P	X Total Exp.	Y	Z
2-3/8 2-7/16 2-1/2	3.42	6.13	3.73	4.78	5/8	1.36	0.64	5.63	6.75	3.88	3.41	0.31	1/4	0.03	2.95
2-11/16 2-3/4 2-15/16 3	3.50	7.18	3.81	5.56	3/4	1.42	0.75	6.50	7.88	4.28	3.84	0.31	1/4	0.03	3.47
3-3/16 3-1/4 3-7/16 3-1/2	4.17	8.25	4.48	6.72	3/4	1.59	0.94	7.48	9.50	5.00	4.33	0.31	1/4	0.03	4.05
3-11/16 3-15/16 4	4.70	9.25	5.08	7.61	7/8	1.78	1.06	8.22	10.75	5.56	4.70	0.38	5/16	0.03	4.50

FEATURES/BENEFITS PAGE B14-2	SPECIFICATIONS PAGE B14-5	HOW TO ORDER/NOMENCLATURE PAGE B14-8	SELECTION PAGE B14-14
---------------------------------	------------------------------	---	--------------------------

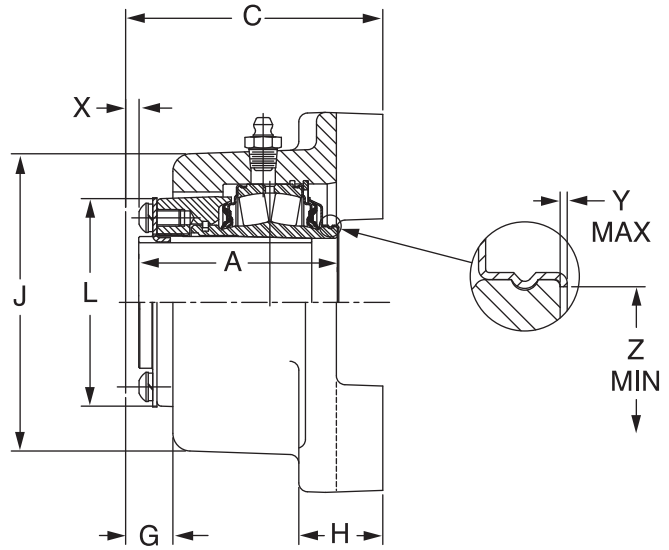


DIMENSIONS

IMPERIAL - IP Flange - Square with Type E Dimensions 1-3/8 THRU 2-3/16 INCH



NON-EXPANSION

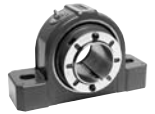


EXPANSION

NOTE: See page B14-72 for 2-1/4 thru 4-1/2 inch

FEATURES/BENEFITS PAGE B14-2	SPECIFICATIONS PAGE B14-5	HOW TO ORDER/NOMENCLATURE PAGE B14-8	SELECTION PAGE B14-14
---------------------------------	------------------------------	---	--------------------------

DIMENSIONS



IMPERIAL - IP Flange - Square with Type E Dimensions 1-3/8 THRU 2-3/16 INCH

Bearing Reference Guide

E-Family Roller Bearings

Specialty Tapered Products

S-2000

UNISPHERE II

IMPERIAL

UNIFIED SAF

Bearing Series	Shaft Size*	TRIDENT Seal				Labyrinth Seal			
		Non-Expansion		Expansion		Non-Expansion		Expansion	
		Part No.	Part Name	Part No.	Part Name	Part No.	Part Name	Part No.	Part Name
22208	1-3/8	071288	EF4B-IP-106R	071313	EF4B-IP-106RE	071338	EF4B-IP-106L	071364	EF4B-IP-106LE
	1-7/16	071289	EF4B-IP-107R	071314	EF4B-IP-107RE	071339	EF4B-IP-107L	071365	EF4B-IP-107LE
22209	1-1/2	071290	EF4B-IP-108R	071315	EF4B-IP-108RE	071340	EF4B-IP-108L	071366	EF4B-IP-108LE
	1-5/8	071291	EF4B-IP-110R	071316	EF4B-IP-110RE	071341	EF4B-IP-110L	071367	EF4B-IP-110LE
	1-11/16	071292	EF4B-IP-111R	071317	EF4B-IP-111RE	071342	EF4B-IP-111L	071368	EF4B-IP-111LE
22210	1-3/4	071293	EF4B-IP-112R	071318	EF4B-IP-112RE	071343	EF4B-IP-112L	071369	EF4B-IP-112LE
	1-7/8	071294	EF4B-IP-114R	071319	EF4B-IP-114RE	071344	EF4B-IP-114L	071370	EF4B-IP-114LE
	1-15/16	071295	EF4B-IP-115R	071320	EF4B-IP-115RE	071345	EF4B-IP-115L	071371	EF4B-IP-115LE
	2	071296	EF4B-IP-200R	071321	EF4B-IP-200RE	071346	EF4B-IP-200L	071372	EF4B-IP-200LE
22211	2-3/16	071297	EF4B-IP-203R	071322	EF4B-IP-203RE	071347	EF4B-IP-203L	071373	EF4B-IP-203LE

*Consult Dodge For Sizes Not Listed

Shaft Size	A	B#	C#	D	DD	Bolt Dia.	G	H#	J#	L	N	P	X Total Exp.	Y	Z
1-3/8 1-7/16	2.63	4.63	3.15	3.50	4.95	1/2	0.66	1.06	3.88	2.72	2.34	0.53	5/32	0.02	1.80
1-1/2 1-5/8 1-11/16	2.81	5.38	3.64	4.13	5.83	1/2	0.67	1.19	4.18	3.00	2.50	0.83	3/16	0.02	2.08
1-3/4 1-7/8 1-15/16 2	2.86	5.63	3.64	4.38	6.19	1/2	0.65	1.18	4.36	3.28	2.60	0.79	7/32	0.02	2.30
2-3/16	3.03	6.25	3.96	4.88	6.90	5/8	0.68	1.38	4.88	3.50	2.88	0.94	1/4	0.02	2.60

Note(S): "P" Dimension Is For Non-Expansion Only

"A" And "P" Dimensions Do Not Include "Y" Dimension

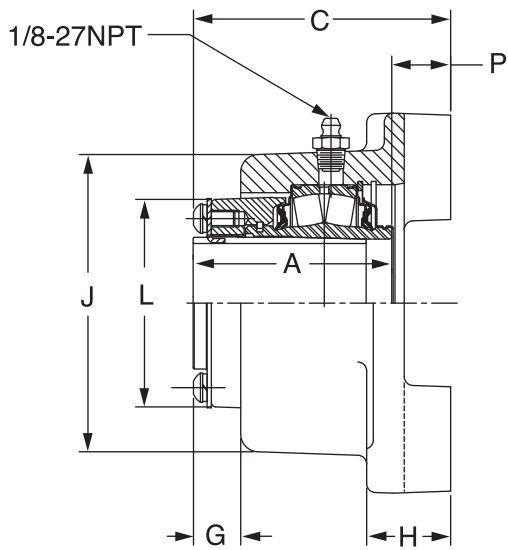
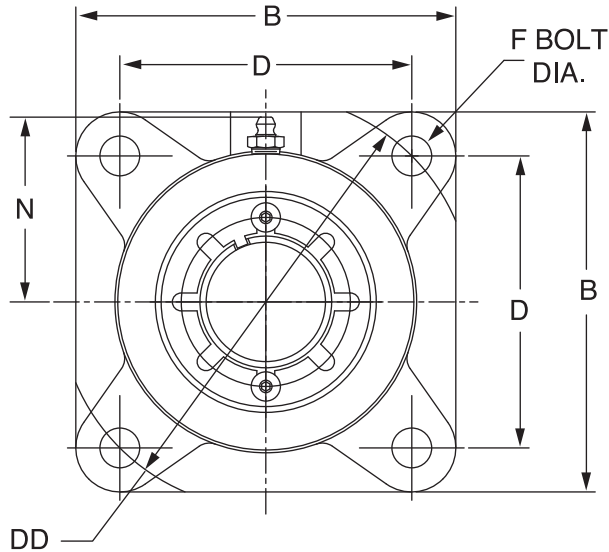
Reference Dimension Only

FEATURES/BENEFITS PAGE B14-2	SPECIFICATIONS PAGE B14-5	HOW TO ORDER/NOMENCLATURE PAGE B14-8	SELECTION PAGE B14-14
---------------------------------	------------------------------	---	--------------------------

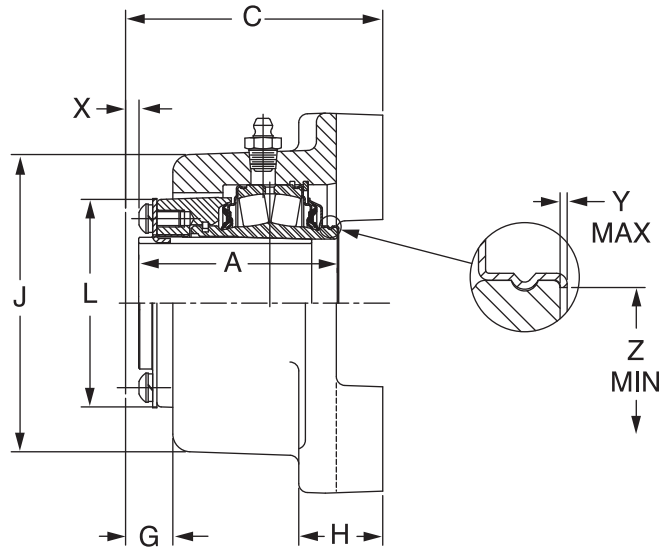


DIMENSIONS

IMPERIAL - IP Flange - Square with Type E Dimensions 2-1/4 THRU 4-1/2 INCH



NON-EXPANSION



EXPANSION

NOTE: See page B14-70 for 1-3/8 thru 2-3/16 inch

<p>FEATURES/BENEFITS PAGE B14-2</p>	<p>SPECIFICATIONS PAGE B14-5</p>	<p>HOW TO ORDER/NOMENCLATURE PAGE B14-8</p>	<p>SELECTION PAGE B14-14</p>
---	--------------------------------------	---	----------------------------------



DIMENSIONS

IMPERIAL - IP Flange - Square with Type E Dimensions 2-1/4 THRU 4-1/2 INCH

Bearing Series	Shaft Size*	TRIDENT Seal				Labyrinth Seal			
		Non-Expansion		Expansion		Non-Expansion		Expansion	
		Part No.	Part Name	Part No.	Part Name	Part No.	Part Name	Part No.	Part Name
22213	2-1/4	071298	EF4B-IP-204R	071323	EF4B-IP-204RE	071348	EF4B-IP-204L	071374	EF4B-IP-204LE
	2-7/16	071299	EF4B-IP-207R	071324	EF4B-IP-207RE	071349	EF4B-IP-207L	071375	EF4B-IP-207LE
	2-1/2	071300	EF4B-IP-208R	071325	EF4B-IP-208RE	071350	EF4B-IP-208L	071376	EF4B-IP-208LE
22215	2-11/16	071301	EF4B-IP-211R	071326	EF4B-IP-211RE	071351	EF4B-IP-211L	071377	EF4B-IP-211LE
	2-3/4	071302	EF4B-IP-212R	071327	EF4B-IP-212RE	071352	EF4B-IP-212L	071378	EF4B-IP-212LE
	2-15/16	071303	EF4B-IP-215R	071328	EF4B-IP-215RE	071353	EF4B-IP-215L	071379	EF4B-IP-215LE
	3	071304	EF4B-IP-300R	071329	EF4B-IP-300RE	071354	EF4B-IP-300L	071380	EF4B-IP-300LE
22218	3-3/16	071305	EF4B-IP-303R	071330	EF4B-IP-303RE	071355	EF4B-IP-303L	071381	EF4B-IP-303LE
	3-1/4	071306	EF4B-IP-304R	071331	EF4B-IP-304RE	071356	EF4B-IP-304L	071382	EF4B-IP-304LE
	3-7/16	071307	EF4B-IP-307R	071332	EF4B-IP-307RE	071357	EF4B-IP-307L	071383	EF4B-IP-307LE
	3-1/2	071308	EF4B-IP-308R	071333	EF4B-IP-308RE	071358	EF4B-IP-308L	071384	EF4B-IP-308LE
22220	3-15/16	071309	EF4B-IP-315R	071334	EF4B-IP-315RE	071359	EF4B-IP-315L	071385	EF4B-IP-315LE
	4	071310	EF4B-IP-400R	071335	EF4B-IP-400RE	071360	EF4B-IP-400L	071386	EF4B-IP-400LE
22222	4-7/16	071311	EF4B-IP-407R	071336	EF4B-IP-407RE	071361	EF4B-IP-407L	071387	EF4B-IP-407LE
	4-1/2	071312	EF4B-IP-408R	071337	EF4B-IP-408RE	071362	EF4B-IP-408L	071388	EF4B-IP-408LE

*Consult Dodge For Sizes Not Listed

Shaft Size*	A	B#	C#	D	DD	F Bolt Dia	G	H#	J#	L	N	P	X Total Exp.	Y	Z
2-1/4 2-7/16 2-1/2	3.42	6.88	4.41	5.37	7.60	5/8	1.04	1.50	5.81	3.88	3.32	0.99	1/4	0.03	2.95
2-11/16 2-3/4 2-15/16 3	3.50	7.75	4.59	6.00	8.49	3/4	0.79	1.61	6.30	4.28	3.58	1.1	1/4	0.03	3.47
3-3/16 3-1/4 3-7/16 3-1/2	4.17	9.25	5.4	7.00	9.90	3/4	1.12	1.88	7.44	5	4.15	1.24	1/4	0.03	4.05
3-15/16 4	4.70	10.25	6.73	7.75	10.96	7/8	1.22	2.12	8.27	5.56	4.58	2.02	5/16	0.03	4.50
4-7/16 4-1/2	5.23	10.88	7.12	8.75	12.37	7/8	1.42	2.43	9.13	6.44	5.01	1.89	3/8	0.04	5.00

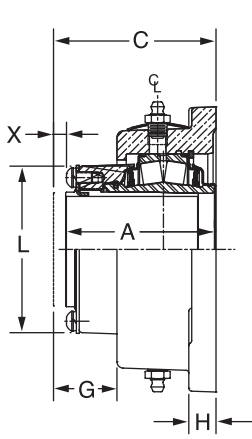
Note(S): "P" Dimension Is For Non-Expansion Only
 "A" And "P" Dimensions Do Not Include "Y" Dimension
 # Reference Dimension Only

FEATURES/BENEFITS PAGE B14-2	SPECIFICATIONS PAGE B14-5	HOW TO ORDER/NOMENCLATURE PAGE B14-8	SELECTION PAGE B14-14
---------------------------------	------------------------------	---	--------------------------

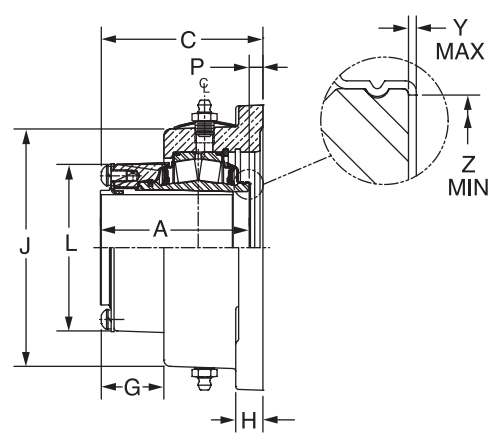
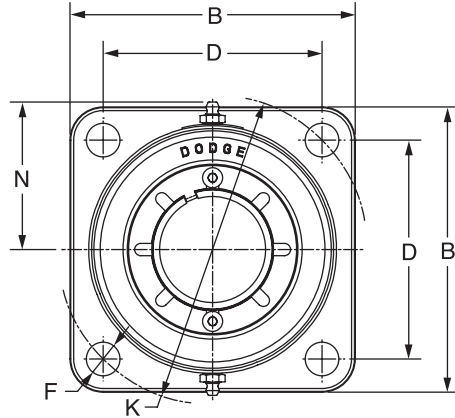


DIMENSIONS

Steel IMPERIAL-HD Flange - 4 Bolt 1-1/8 THRU 2-1/4 INCH



EXPANSION



NON-EXPANSION

Shaft Size	Dodge Non-Expansion		Dodge Expansion	
	Dodge Part No.	Description	Dodge Part No.	Description
1-1/8	072170	SF4S-IP-102R	072198	SF4S-IP-102RE
1-3/16	072171	SF4S-IP-103R	072199	SF4S-IP-103RE
1-1/4	072172	SF4S-IP-104R	072200	SF4S-IP-104RE
1-3/8	072173	SF4S-IP-106R	072201	SF4S-IP-106RE
1-7/16	072174	SF4S-IP-107R	072202	SF4S-IP-107RE
1-1/2	072175	SF4S-IP-108R	072203	SF4S-IP-108RE
1-5/8	072176	SF4S-IP-110R	072204	SF4S-IP-110RE
1-11/16	072177	SF4S-IP-111R	072205	SF4S-IP-111RE
1-3/4	072178	SF4S-IP-112R	072206	SF4S-IP-112RE
1-7/8	072179	SF4S-IP-114R	072207	SF4S-IP-114RE
1-15/16	072180	SF4S-IP-115R	072208	SF4S-IP-115RE
2	072181	SF4S-IP-200R	072209	SF4S-IP-200RE
2-3/16	072182	SF4S-IP-203R	072210	SF4S-IP-203RE
2-1/4	072183	SF4S-IP-204R	072211	SF4S-IP-204RE

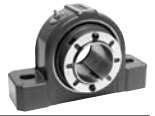
Shaft Size	A	B	C	D	F Bolt Dia.	G	H	J	K	L	N	P	X Total Exp	Y	Z
1-1/8	2.63	4.62	2.87	3.54	1/2	0.84	0.88	3.70	5.00	2.72	2.25	0.24	3/16	0.02	1.80
1-3/16															
1-1/4															
1-3/8															
1-7/16	2.81	5.37	3.01	3.89	1/2	0.91	0.88	4.41	5.50	3.00	2.62	0.20	7/32	0.02	2.08
1-1/2															
1-5/8															
1-11/16	2.86	5.18	3.15	4.07	1/2	0.91	0.91	4.66	5.75	3.28	2.75	0.29	7/32	0.02	2.30
1-3/4															
1-7/8															
1-15/16	3.03	5.87	3.26	4.51	5/8	0.93	0.75	5.03	6.38	3.50	2.93	0.23	1/4	0.02	2.60
2															
2-3/16															
2-1/4															

"P" Dimension Is For Non-Expansion Only

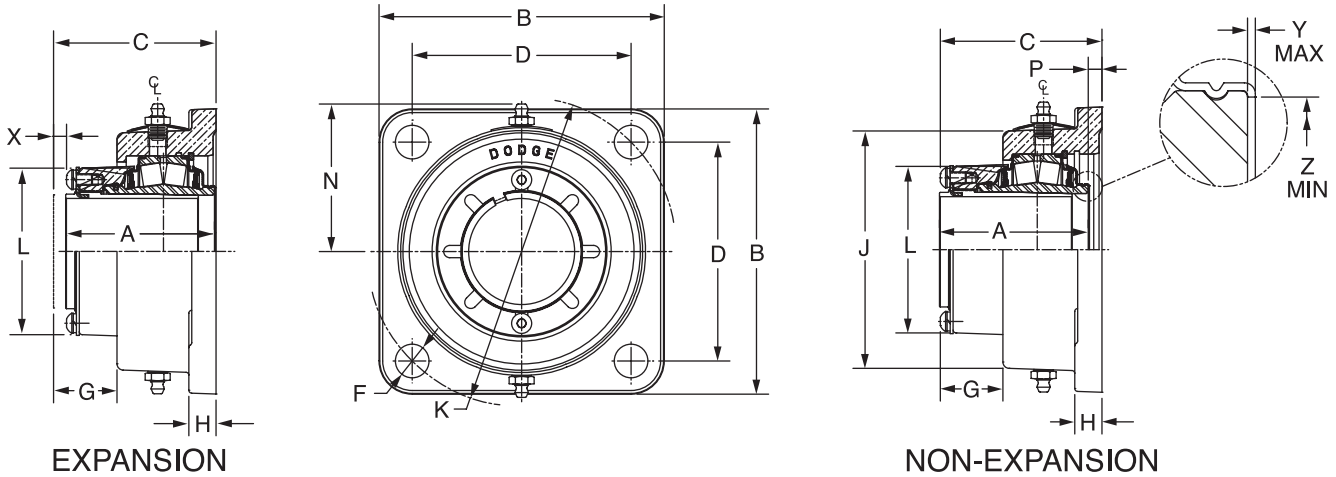
"A" & "P" Dimensions Do Not Include "Y" Dimension

FEATURES/BENEFITS PAGE B14-2	SPECIFICATIONS PAGE B14-5	HOW TO ORDER/NOMENCLATURE PAGE B14-8	SELECTION PAGE B14-14
---------------------------------	------------------------------	---	--------------------------

DIMENSIONS



Steel IMPERIAL-HD Flange - 4 Bolt 2-3/8 THRU 4 INCH



Shaft Size	Dodge Non-Expansion		Dodge Expansion	
	Dodge Part No.	Description	Dodge Part No.	Description
2-3/8	072184	SF4S-IP-206R	072212	SF4S-IP-206RE
2-7/16	072185	SF4S-IP-207R	072213	SF4S-IP-207RE
2-1/2	072186	SF4S-IP-208R	072214	SF4S-IP-208RE
2-11/16	072187	SF4S-IP-211R	072215	SF4S-IP-211RE
2-3/4	072188	SF4S-IP-212R	072216	SF4S-IP-212RE
2-15/16	072189	SF4S-IP-215R	072217	SF4S-IP-215RE
3	072190	SF4S-IP-300R	072218	SF4S-IP-300RE
3-3/16	072191	SF4S-IP-303R	072219	SF4S-IP-303RE
3-1/4	072192	SF4S-IP-304R	072220	SF4S-IP-304RE
3-7/16	072193	SF4S-IP-307R	072221	SF4S-IP-307RE
3-1/2	072194	SF4S-IP-308R	072222	SF4S-IP-308RE
3-11/16	072195	SF4S-IP-311R	072223	SF4S-IP-311RE
3-15/16	072196	SF4S-IP-315R	072224	SF4S-IP-315RE
4	072197	SF4S-IP-400R	072225	SF4S-IP-400RE

Shaft Size	A	B	C	D	F Bolt Dia.	G	H	J	K	L	N	P	X Total Exp	Y	Z
2-3/8															
2-7/16	3.42	6.18	3.57	4.77	5/8	0.95	1.00	5.63	6.75	3.80	3.24	0.15	1/4	0.03	2.94
2-1/2															
2-11/16															
2-3/4	3.50	7.18	3.77	5.57	3/4	0.94	1.06	6.51	7.88	4.20	3.67	0.27	1/4	0.03	3.47
2-15/16															
3															
3-3/16															
3-1/4	4.17	8.37	4.27	6.72	3/4	0.94	1.28	7.49	9.50	5.00	4.16	0.10	1/4	0.03	4.50
3-7/16															
3-1/2															
3-11/16	4.70	9.49	5.07	7.60	1	1.06	1.50	8.22	10.75	5.46	4.55	0.37	5/16	0.03	4.50
3-15/16															
4															

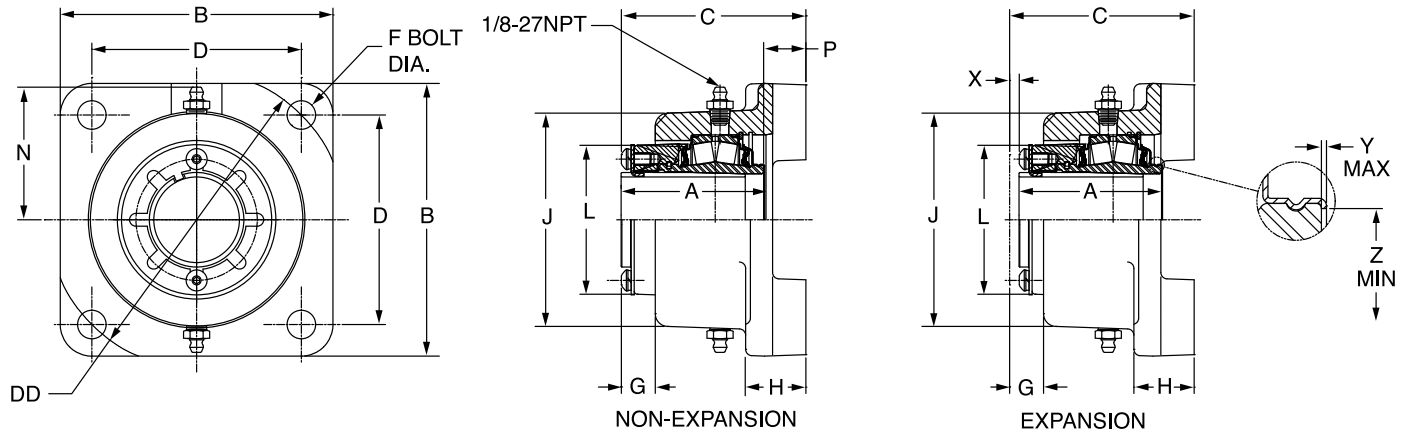
'P' Dimension Is For Non-Expansion Only
A' And 'P' Dimensions Do Not Include 'Y' Dimension

FEATURES/BENEFITS PAGE B14-2	SPECIFICATIONS PAGE B14-5	HOW TO ORDER/NOMENCLATURE PAGE B14-8	SELECTION PAGE B14-14
---------------------------------	------------------------------	---	--------------------------



DIMENSIONS

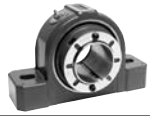
Steel IMPERIAL-HD Flange 4 Bolt With Type E Dimensions



Shaft Size	Dodge Non-Expansion		Dodge Expansion	
	Dodge Part No.	Description	Dodge Part No.	Description
1-3/8	072226	SEF4B-IP-106R	072251	SEF4B-IP-106RE
1-7/16	072227	SEF4B-IP-107R	072252	SEF4B-IP-107RE
1-1/2	072228	SEF4B-IP-108R	072253	SEF4B-IP-108RE
1-5/8	072229	SEF4B-IP-110R	072254	SEF4B-IP-110RE
1-11/16	072230	SEF4B-IP-111R	072255	SEF4B-IP-111RE
1-3/4	072231	SEF4B-IP-112R	072256	SEF4B-IP-112RE
1-7/8	072232	SEF4B-IP-114R	072257	SEF4B-IP-114RE
1-15/16	072233	SEF4B-IP-115R	072258	SEF4B-IP-115RE
2	072234	SEF4B-IP-200R	072259	SEF4B-IP-200RE
2-3/16	072235	SEF4B-IP-203R	072260	SEF4B-IP-203RE
2-7/16	072237	SEF4B-IP-207R	072262	SEF4B-IP-207RE
2-1/2	072238	SEF4B-IP-208R	072263	SEF4B-IP-208RE
2-11/16	072239	SEF4B-IP-211R	072264	SEF4B-IP-211RE
2-3/4	072240	SEF4B-IP-212R	072265	SEF4B-IP-212RE
2-15/16	072241	SEF4B-IP-215R	072266	SEF4B-IP-215RE
3	072242	SEF4B-IP-300R	072267	SEF4B-IP-300RE
3-3/16	072243	SEF4B-IP-303R	072268	SEF4B-IP-303RE
3-1/4	072244	SEF4B-IP-304R	072269	SEF4B-IP-304RE
3-7/16	072245	SEF4B-IP-307R	072270	SEF4B-IP-307RE
3-1/2	072246	SEF4B-IP-308R	072271	SEF4B-IP-308RE
3-15/16	072247	SEF4B-IP-315R	072272	SEF4B-IP-315RE
4	072248	SEF4B-IP-400R	072273	SEF4B-IP-400RE
4-7/16	072249	SEF4B-IP-407R	072274	SEF4B-IP-407RE
4-1/2	072250	SEF4B-IP-408R	072275	SEF4B-IP-408RE

FEATURES/BENEFITS PAGE B14-2	SPECIFICATIONS PAGE B14-5	HOW TO ORDER/NOMENCLATURE PAGE B14-8	SELECTION PAGE B14-14
---------------------------------	------------------------------	---	--------------------------

DIMENSIONS



Steel IMPERIAL-HD Flange 4 Bolt With Type E Dimensions

Bearing Reference Guide

E-Family Roller Bearings

Specialty Tapered Products

S-2000

UNISPHERE II

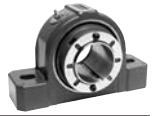
IMPERIAL

UNIFIED SAF

Shaft Size	A	B	C	D	DD	F Bolt Dia.	G	H	J	L	N	P	X Total Exp	Y	Z
1-3/8 1-7/16	2.63	4.620	2.87	3.50	4.95	1/2	0.84	0.88	3.7	2.72	2.25	0.24	3/16	0.02	1.80
1-1/2 1-5/8 1-11/16	2.81	5.37	3.01	4.13	5.84	1/2	0.91	0.88	4.41	3.00	2.62	0.20	7/32	0.02	2.08
1-3/4 1-7/8 1-15/16 2	2.86	5.49	3.15	4.38	6.19	1/2	0.91	0.88	4.75	3.28	2.75	0.29	7/32	0.02	2.30
2-3/16	3.03	6.18	3.26	4.87	6.89	5/8	0.93	1.00	5.03	3.50	2.93	0.23	1/4	0.02	2.60
2-7/16 2-1/2	3.42	6.62	3.57	5.37	7.60	5/8	0.95	1.00	5.63	3.80	3.23	0.15	1/4	0.03	2.95
2-11/16 2-3/4 2-15/16 3	3.50	7.43	3.77	6.00	8.49	3/4	0.94	1.06	6.66	4.20	3.75	0.27	1/4	0.03	3.47
3-3/16 3-1/4 3-7/16 3-1/2	4.17	8.62	4.27	7.01	9.91	3/4	0.96	1.31	7.49	5.00	4.17	0.10	1/4	0.03	4.05
3-15/16 4	4.70	9.96	5.04	7.75	10.96	7/8	1.06	1.50	8.22	5.44	4.68	0.34	5/16	0.03	4.50
4-7/16 4-1/2	5.23	10.87	5.59	8.75	12.38	7/8	1.38	1.50	8.76	6.35	4.80	0.36	3/8	0.04	5.00

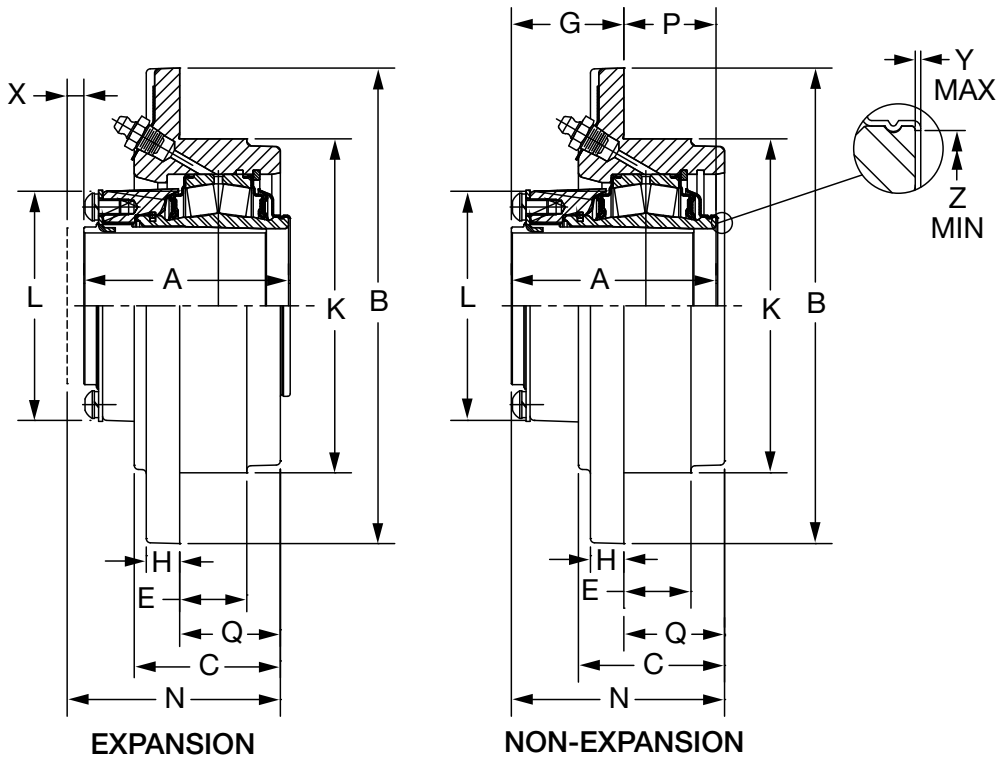
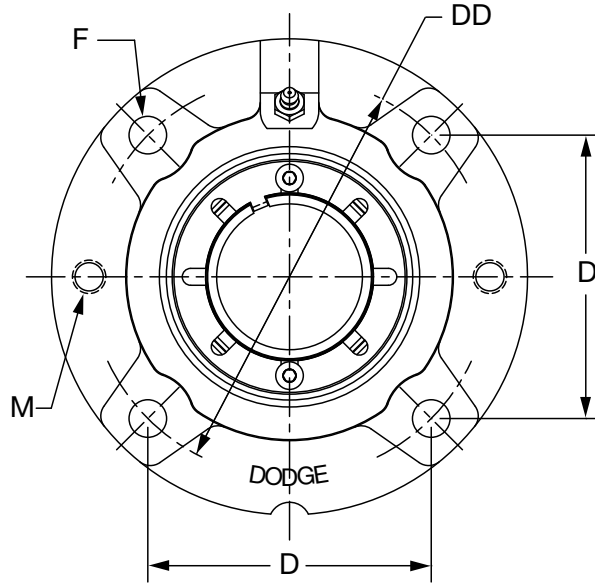
"P" Dimension Is For Non-Expansion Only
 "A" & "P" Dimensions Do Not Include "Y" Dimension

FEATURES/BENEFITS PAGE B14-2	SPECIFICATIONS PAGE B14-5	HOW TO ORDER/NOMENCLATURE PAGE B14-8	SELECTION PAGE B14-14
---------------------------------	------------------------------	---	--------------------------



DIMENSIONS

IMPERIAL - IP Piloted Flange
1-1/8 THRU 2-1/2 INCH



NOTE: See page B14-80 for 2-11/16 thru 5 inch

FEATURES/BENEFITS PAGE B14-2	SPECIFICATIONS PAGE B14-5	HOW TO ORDER/NOMENCLATURE PAGE B14-8	SELECTION PAGE B14-14
---------------------------------	------------------------------	---	--------------------------



DIMENSIONS

IMPERIAL - IP Piloted Flange 1-1/8 THRU 2-1/2 INCH

Bearing Reference Guide

E-Family Roller Bearings

Specialty Tapered Products

S-2000

UNISPHERE II

IMPERIAL

UNIFIED SAF

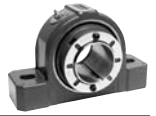
Bearing	Shaft Size Inch	TRIDENT Seal				Labyrinth Seal			
		Non-Expansion		Expansion		Non-Expansion		Expansion	
		Part No.	Part Name	Part No.	Part Name	Part No.	Part Name	Part No.	Part Name
22208	1-1/8	069805	FC-IP-102R	069837	FC-IP-102RE	069869	FC-IP-102L	069901	FC-IP-102LE
	1-3/16	069806	FC-IP-103R	069838	FC-IP-103RE	069870	FC-IP-103L	069902	FC-IP-103LE
	1-1/4	069807	FC-IP-104R	069839	FC-IP-104RE	069871	FC-IP-104L	069903	FC-IP-104LE
	1-3/8	069808	FC-IP-106R	069840	FC-IP-106RE	069872	FC-IP-106L	069904	FC-IP-106LE
	1-7/16	069809	FC-IP-107R	069841	FC-IP-107RE	069873	FC-IP-107L	069905	FC-IP-107LE
	1-1/2	069810	FC-IP-108R	069842	FC-IP-108RE	069874	FC-IP-108L	069906	FC-IP-108LE
22209	1-5/8	069811	FC-IP-110R	069843	FC-IP-110RE	069875	FC-IP-110L	069907	FC-IP-110LE
	1-11/16	069812	FC-IP-111R	069844	FC-IP-111RE	069876	FC-IP-111L	069908	FC-IP-111LE
	1-3/4	069813	FC-IP-112R	069845	FC-IP-112RE	069877	FC-IP-112L	069909	FC-IP-112LE
22210	1-7/8	069814	FC-IP-114R	069846	FC-IP-114RE	069878	FC-IP-114L	069910	FC-IP-114LE
	1-15/16	069815	FC-IP-115R	069847	FC-IP-115RE	069879	FC-IP-115L	069911	FC-IP-115LE
	2	069816	FC-IP-200R	069848	FC-IP-200RE	069880	FC-IP-200L	069912	FC-IP-200LE
22211	2-3/16	069817	FC-IP-203R	069849	FC-IP-203RE	069881	FC-IP-203L	069913	FC-IP-203LE
	2-1/4	069818	FC-IP-204R	069850	FC-IP-204RE	069882	FC-IP-204L	069914	FC-IP-204LE
22213	2-3/8	069819	FC-IP-206R	069851	FC-IP-206RE	069883	FC-IP-206L	069915	FC-IP-206LE
	2-7/16	069820	FC-IP-207R	069852	FC-IP-207RE	069884	FC-IP-207L	069916	FC-IP-207LE
	2-1/2	069821	FC-IP-208R	069853	FC-IP-208RE	069885	FC-IP-208L	069917	FC-IP-208LE

Metric shaft sizes available upon request

Shaft Size	A	B	C	D	DD	E	F Bolt Dia.	G	H	K*	L	M	N	P	Q	X Total Exp	Y	Z
1-1/8																		
1-3/16																		
1-1/4	2.63	5.25	1.84	3.09	4.38	0.75	3/8	1.39	0.50	3.625	2.72	3/8-16	2.61	1.23	1.22	3/16	0.02	1.80
1-3/8																		
1-7/16																		
1-1/2																		
1-5/8																		
1-11/16	2.81	6.13	1.91	3.63	5.13	0.88	7/16	1.61	0.50	4.250	3.00	7/16-14	2.86	1.20	1.27	1/4	0.02	2.08
1-3/4																		
1-7/8																		
1-15/16	2.86	6.38	2.00	3.80	5.38	0.88	7/16	1.59	0.56	4.500	3.28	7/16-14	2.86	1.27	1.27	1/4	0.02	2.30
2																		
2-3/16	3.03	7.13	2.19	4.25	6.00	1.00	1/2	1.67	0.56	5.000	3.50	1/2-13	3.08	1.38	1.42	1/4	0.03	2.60
2-1/4																		
2-3/8																		
2-7/16	3.42	7.63	2.50	4.59	6.50	1.00	1/2	1.88	0.63	5.500	3.88	1/2-13	3.44	1.55	1.56	1/4	0.03	2.95
2-1/2																		

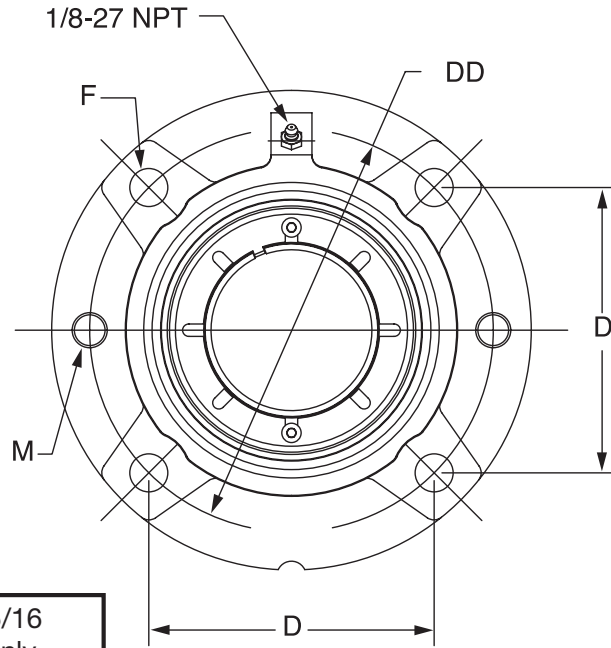
* = +0.000, -0.002"

FEATURES/BENEFITS PAGE B14-2	SPECIFICATIONS PAGE B14-5	HOW TO ORDER/NOMENCLATURE PAGE B14-8	SELECTION PAGE B14-14
---------------------------------	------------------------------	---	--------------------------

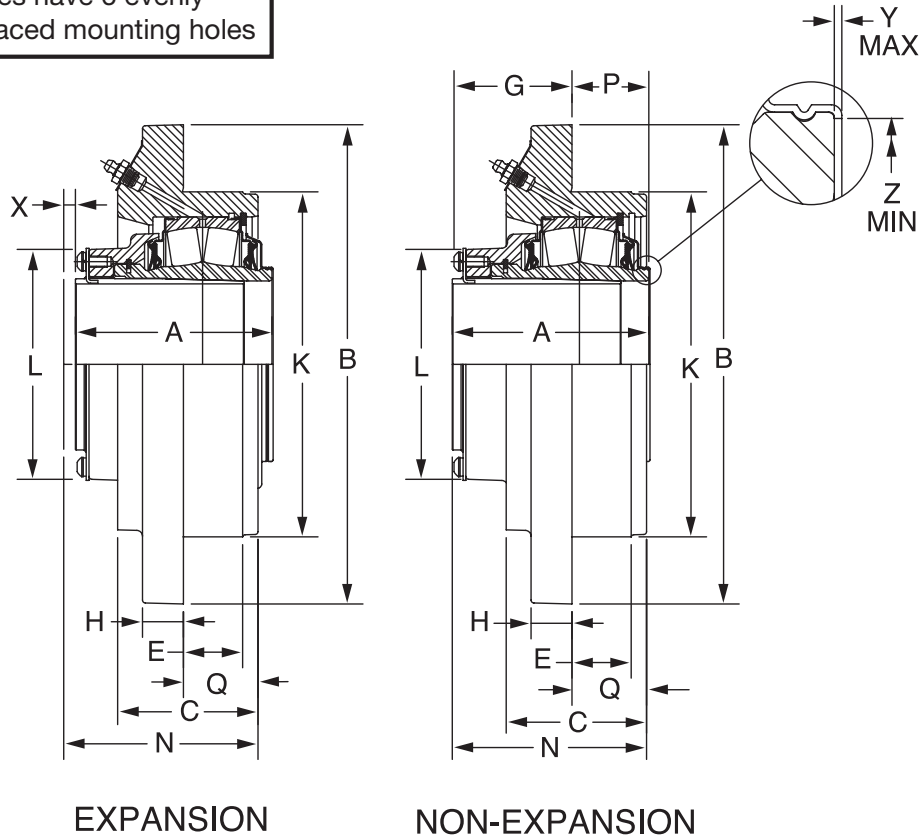


DIMENSIONS

**IMPERIAL - IP Piloted Flange
2-11/16 THRU 5 INCH**



Note: 4-7/16 thru 4-15/16 sizes have 6 evenly spaced mounting holes



NOTE: See page B14-78 for 1-1/8 thru 2-1/2 inch

FEATURES/BENEFITS PAGE B14-2	SPECIFICATIONS PAGE B14-5	HOW TO ORDER/NOMENCLATURE PAGE B14-8	SELECTION PAGE B14-14
---------------------------------	------------------------------	---	--------------------------



DIMENSIONS

IMPERIAL - IP Piloted Flange 2-11/16 THRU 5 INCH

Bearing Reference Guide

E-Family Roller Bearings

Specialty Tapered Products

S-2000

UNISPHERE II

IMPERIAL

UNIFIED SAF

Bearing	Shaft Size Inch	TRIDENT Seal				Labyrinth Seal			
		Non-Expansion		Expansion		Non-Expansion		Expansion	
		Part No.	Part Name	Part No.	Part Name	Part No.	Part Name	Part No.	Part Name
22215	2-11/16	069822	FC-IP-211R	069854	FC-IP-211RE	069886	FC-IP-211L	069918	FC-IP-211LE
	2-3/4	069823	FC-IP-212R	069855	FC-IP-212RE	069887	FC-IP-212L	069919	FC-IP-212LE
	2-15/16	069824	FC-IP-215R	069856	FC-IP-215RE	069888	FC-IP-215L	069920	FC-IP-215LE
	3	069825	FC-IP-300R	069857	FC-IP-300RE	069889	FC-IP-300L	069921	FC-IP-300LE
22218	3-3/16	069826	FC-IP-303R	069858	FC-IP-303RE	069890	FC-IP-303L	069922	FC-IP-303LE
	3-1/4	069827	FC-IP-304R	069859	FC-IP-304RE	069891	FC-IP-304L	069923	FC-IP-304LE
	3-7/16	069828	FC-IP-307R	069860	FC-IP-307RE	069892	FC-IP-307L	069924	FC-IP-307LE
	3-1/2	069829	FC-IP-308R	069861	FC-IP-308RE	069893	FC-IP-308L	069925	FC-IP-308LE
22220	3-11/16	069830	FC-IP-311R	069862	FC-IP-311RE	069894	FC-IP-311L	069926	FC-IP-311LE
	3-15/16	069831	FC-IP-315R	069863	FC-IP-315RE	069895	FC-IP-315L	069927	FC-IP-315LE
	4	069832	FC-IP-400R	069864	FC-IP-400RE	069896	FC-IP-400L	069928	FC-IP-400LE
22222	4-7/16	069833	FC-IP-407R	069865	FC-IP-407RE	069897	FC-IP-407L	069929	FC-IP-407LE
	4-1/2	069834	FC-IP-408R	069866	FC-IP-408RE	069898	FC-IP-408L	069930	FC-IP-408LE
22226	4-15/16	069835	FC-IP-415R	069867	FC-IP-415RE	069899	FC-IP-415L	069931	FC-IP-415LE
	5	069836	FC-IP-500R	069868	FC-IP-500RE	069900	FC-IP-500L	069932	FC-IP-500LE

Metric shaft sizes available upon request

Shaft Size	A	B	C	D	DD	E	F Bolt Dia.	G	H	K*	L	M	N	P	Q	X Total Exp	Y	Z
2-11/16 2-3/4 2-15/16 3	3.50	8.75	2.63	5.30	7.50	1.25	5/8	1.94	0.75	6.375	4.28	5/8-11	3.56	1.56	1.63	1/4	0.03	3.47
3-3/16 3-1/4 3-7/16 3-1/2	4.17	10.25	3.00	6.09	8.63	1.27	3/4	2.53	0.94	7.375	5.00	3/4-10	4.06	1.64	1.52	1/4	0.03	4.05
3-11/16 3-15/16 4	4.70	10.88	3.50	6.63	9.38	1.47	3/4	2.89	1.13	8.125	5.56	3/4-10	4.39	1.81	1.91	5/16	0.03	4.50
4-7/16 4-1/2	5.23	13.50	4.00	5.88	11.75	1.45	3/4**	3.56	1.00	10.250	6.44	3/4-10	5.55	1.67	1.98	3/8	0.04	5.00
4-15/16 5	5.98	14.75	4.38	6.38	12.75	1.70	7/8**	3.86	1.25	11.000	7.63	3/4-10	6.28	2.13	2.42	3/8	0.04	5.84

* +0.000", -0.002"

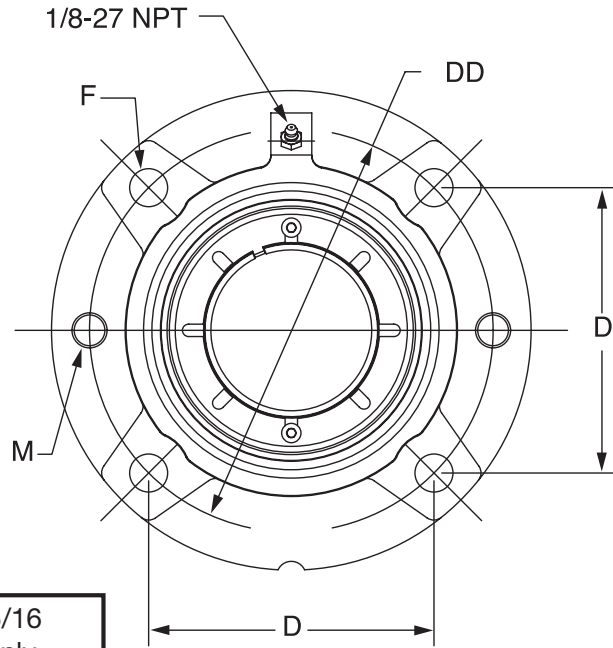
** 6 equally spaced mounting holes

FEATURES/BENEFITS PAGE B14-2	SPECIFICATIONS PAGE B14-5	HOW TO ORDER/NOMENCLATURE PAGE B14-8	SELECTION PAGE B14-14
---------------------------------	------------------------------	---	--------------------------

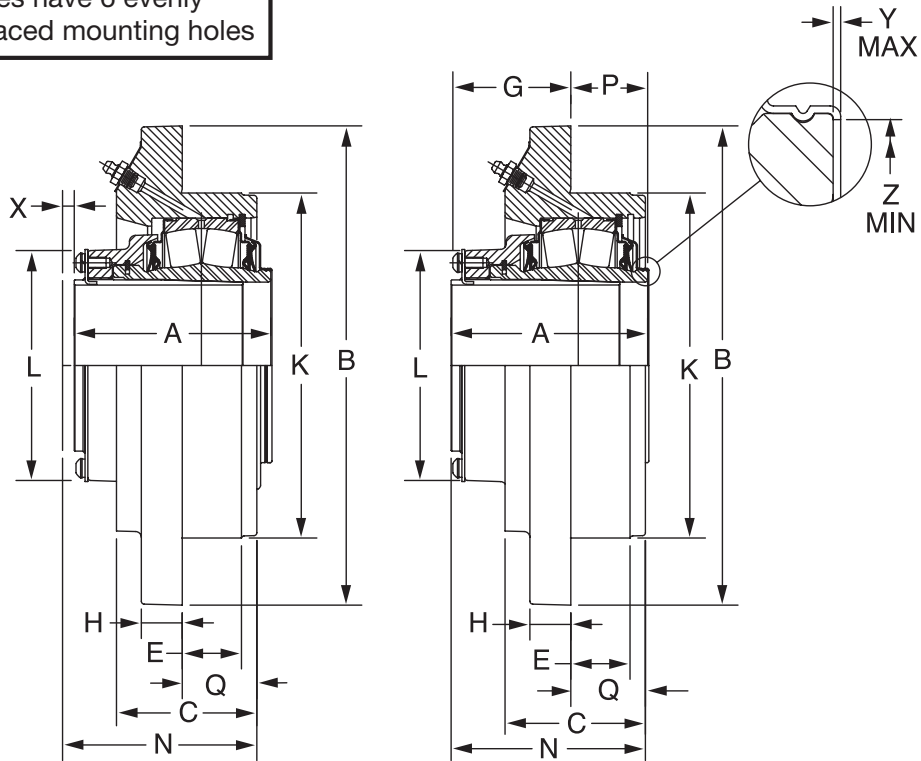


DIMENSIONS

IMPERIAL - IP Piloted Flange with Type E Dimensions 1-3/8 THRU 2-1/2 INCH



Note: 4-7/16 thru 4-15/16 sizes have 6 evenly spaced mounting holes



EXPANSION

NON-EXPANSION



DIMENSIONS

IMPERIAL - IP Piloted Flange with Type E Dimensions 1-3/8 THRU 2-1/2 INCH

Bearing Reference Guide

E-Family Roller Bearings

Specialty Tapered Products

S-2000

UNISPHERE II

IMPERIAL

UNIFIED SAF

Bearing Series	Shaft Size*	TRIDENT Seal				Labyrinth Seal			
		Non-Expansion		Expansion		Non-Expansion		Expansion	
		Part No.	Part Name	Part No.	Part Name	Part No.	Part Name	Part No.	Part Name
22208	1-3/8	069808	FC-IP-106R	069840	FC-IP-106RE	069872	FC-IP-106L	069904	FC-IP-106LE
	1-7/16	069809	FC-IP-107R	069841	FC-IP-107RE	069873	FC-IP-107L	069905	FC-IP-107LE
22209	1-1/2	071576	EFC-IP-108R	071579	EFC-IP-108RE	071582	EFC-IP-108L	071585	EFC-IP-108LE
	1-5/8	069811	FC-IP-110R	069843	FC-IP-110RE	069875	FC-IP-110L	069907	EC-IP-110LE
	1-11/16	069812	FC-IP-111R	069844	FC-IP-111RE	069876	FC-IP-111L	069908	EC-IP-111LE
22210	1-3/4	071577	EFC-IP-112R	071580	EFC-IP-112RE	071583	EFC-IP-112L	071586	EFC-IP-112LE
	1-7/8	069814	FC-IP-114R	069846	FC-IP-114RE	069878	FC-IP-114L	069910	FC-IP-114LE
	1-15/16	069815	FC-IP-115R	069847	FC-IP-115RE	069879	FC-IP-115L	069911	FC-IP-115LE
	2	069816	FC-IP-200R	069848	FC-IP-200RE	069880	FC-IP-200L	069912	FC-IP-200LE
22211	2-3/16	069817	FC-IP-203R	069849	FC-IP-203RE	069881	FC-IP-203L	069913	FC-IP-203LE
22213	2-1/4	071578	EFC-IP-204R	071581	EFC-IP-204RE	071584	EFC-IP-204L	071587	EFC-IP-204LE
	2-7/16	069820	FC-IP-207R	069852	FC-IP-207RE	069884	FC-IP-207L	069916	FC-IP-207LE
	2-1/2	069821	FC-IP-208R	069853	FC-IP-208RE	069885	FC-IP-208L	069917	FC-IP-208LE

*Consult Dodge For Sizes Not Listed

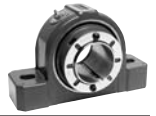
Shaft Size	A	B #	C #	D	DD	E #	F Bolt Dia.	G	H #	K ##	L	M	N	P	Q #	X Total Exp.	Y	Z
1-3/8 1-7/16	2.63	5.25	1.84	3.09	4.38	0.75	3/8	1.39	0.50	3.625	2.72	3/8-16	2.61	1.23	1.22	3/16	0.02	1.80
1-1/2 1-5/8 1-11/16	2.81	6.13	1.91	3.63	5.13	0.88	7/16	1.61	0.50	4.250	3.00	7/16-14	2.86	1.20	1.26	1/4	0.02	2.08
1-3/4 1-7/8 1-15/16 2	2.86	6.38	2.00	3.80	5.38	0.88	7/16	1.59	0.56	4.500	3.28	7/16-14	2.86	1.26	1.26	1/4	0.02	2.30
2-3/16 2-1/4	3.03	7.13	2.19	4.25	6.00	1.00	1/2	1.66	0.56	5.000	3.50	1/2-13	3.08	1.38	1.42	1/4	0.03	2.59
2-7/16 2-1/2	3.42	7.63	2.50	4.59	6.50	1.00	1/2	1.88	0.63	5.500	3.88	1/2-13	3.44	1.55	1.56	1/4	0.03	2.94

- +0.000
-0.002

Note(S): "P" And "G" Dimensions Are For Non-Expansion Only
"A" And "P" Dimensions Do Not Include "Y" Dimension

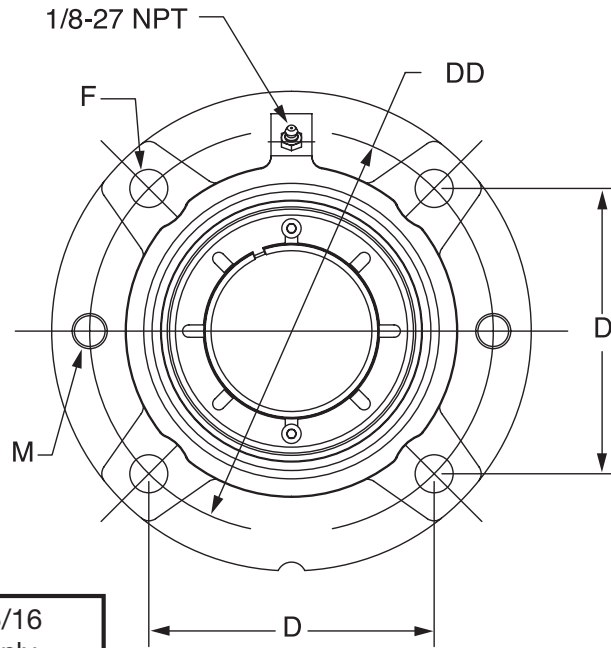
- Reference Dimension Only

FEATURES/BENEFITS PAGE B14-2	SPECIFICATIONS PAGE B14-5	HOW TO ORDER/NOMENCLATURE PAGE B14-8	SELECTION PAGE B14-14
---------------------------------	------------------------------	---	--------------------------

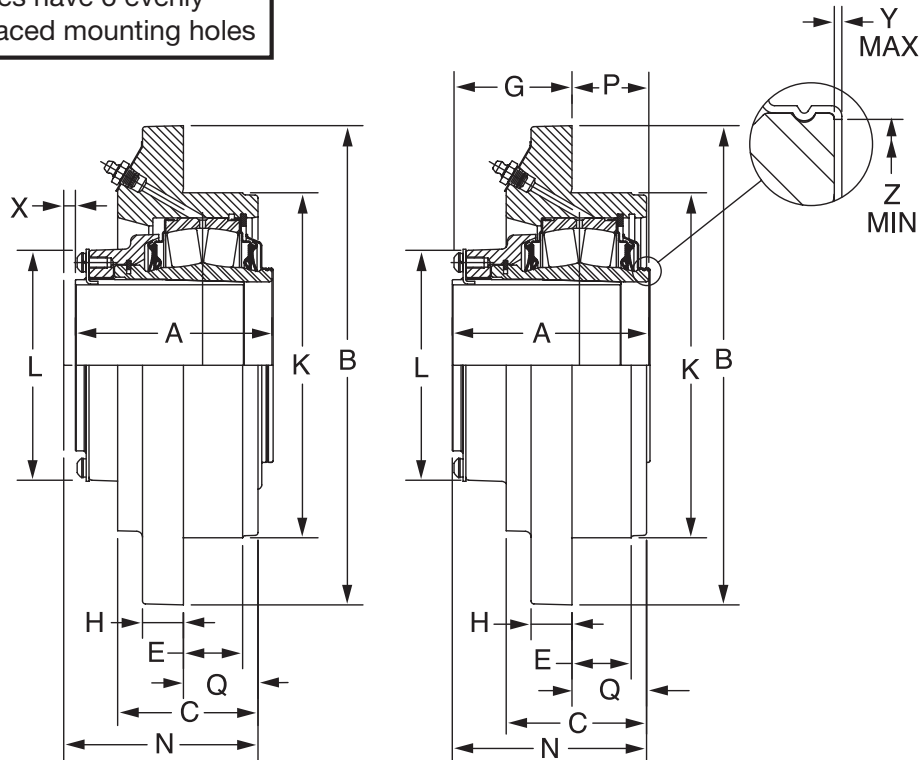


DIMENSIONS

**IMPERIAL - IP Piloted Flange with Type E Dimension
2-11/16 THRU 5 INCH**



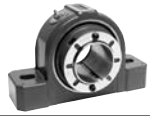
Note: 4-7/16 thru 4-15/16 sizes have 6 evenly spaced mounting holes



EXPANSION

NON-EXPANSION

DIMENSIONS



IMPERIAL - IP Piloted Flange with Type E Dimension 2-11/16 THRU 5 INCH

Bearing Reference Guide

E-Family Roller Bearings

Specialty Tapered Products

S-2000

UNISPHERE II

IMPERIAL

UNIFIED SAF

Bearing Series	Shaft Size*	TRIDENT Seal				Labyrinth Seal			
		Non-Expansion		Expansion		Non-Expansion		Expansion	
		Part No.	Part Name	Part No.	Part Name	Part No.	Part Name	Part No.	Part Name
22215	2-11/16	069822	FC-IP-211R	069854	FC-IP-211RE	069886	FC-IP-211L	069918	FC-IP-211LE
	2-3/4	069823	FC-IP-212R	069855	FC-IP-212RE	069887	FC-IP-212L	069919	FC-IP-212LE
	2-15/16	069824	FC-IP-215R	069856	FC-IP-215RE	069888	FC-IP-215L	069920	FC-IP-215LE
	3	069825	FC-IP-300R	069857	FC-IP-300RE	069889	FC-IP-300L	069921	FC-IP-300LE
22218	3-3/16	069826	FC-IP-303R	069858	FC-IP-303RE	069890	FC-IP-303L	069922	FC-IP-303LE
	3-1/4	069827	FC-IP-304R	069859	FC-IP-304RE	069891	FC-IP-304L	069923	FC-IP-304LE
	3-7/16	069828	FC-IP-307R	069860	FC-IP-307RE	069892	FC-IP-307L	069924	FC-IP-307LE
	3-1/2	069829	FC-IP-308R	069861	FC-IP-308RE	069893	FC-IP-308L	069925	FC-IP-308LE
22220	3-15/16	069831	FC-IP-315R	069863	FC-IP-315RE	069895	FC-IP-315L	069927	FC-IP-315LE
	4	069832	FC-IP-400R	069864	FC-IP-400RE	069896	FC-IP-400L	069928	FC-IP-400LE
22222	4-7/16	071272	EFC-IP-407R	071276	EFC-IP-407RE	071280	EFC-IP-407L	071284	EFC-IP-407LE
	4-1/2	071273	EFC-IP-408R	071277	EFC-IP-408RE	071281	EFC-IP-408L	071285	EFC-IP-408LE
22226	4-15/16	071274	EFC-IP-415R	071278	EFC-IP-415RE	071282	EFC-IP-415L	071286	EFC-IP-415LE
	5	071275	EFC-IP-500R	071279	EFC-IP-500RE	071283	EFC-IP-500L	071287	EFC-IP-500LE

*Consult Dodge For Sizes Not Listed

Shaft Size	A	B #	C #	D	DD	E #	F Bolt Dia.	G	H #	K #	L	M	N	P	Q #	X Total Exp.	Y	Z
2-11/16 2-3/4 2-15/16 3	3.50	8.75	2.63	5.30	7.50	1.25	5/8	1.94	0.75	6.375	4.28	5/8-11	3.56	1.56	1.63	1/4	0.03	3.47
3-3/16 3-1/4 3-7/16 3-1/2	4.17	10.25	3.00	6.09	8.63	1.26	3/4	2.53	0.94	7.375	5.00	3/4-10	4.06	1.64	1.52	1/4	0.03	4.05
3-15/16 4	4.70	10.88	3.50	6.63	9.38	1.47	3/4	2.89	1.13	8.125	5.56	3/4-10	4.78	1.81	1.91	5/16	0.03	4.50
4-7/16 4-1/2	5.23	13.50	4.58	5.88	11.75	1.45	3/4 **	3.03	0.94	10.250	6.44	3/4-10	5.66	2.20	2.63	3/8	0.04	5.00
4-15/16 5	5.98	14.75	4.88	6.38	12.75	1.70	7/8 **	3.40	1.25	11.000	7.63	3/4-10	6.41	2.59	3.01	3/8	0.04	5.84

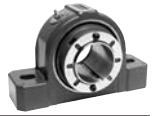
- +0.000
-0.002

Note(S): "P" And "G" Dimensions Are For Non-Expansion Only
"A" And "P" Dimensions Do Not Include "Y" Dimension

- Reference Dimension Only

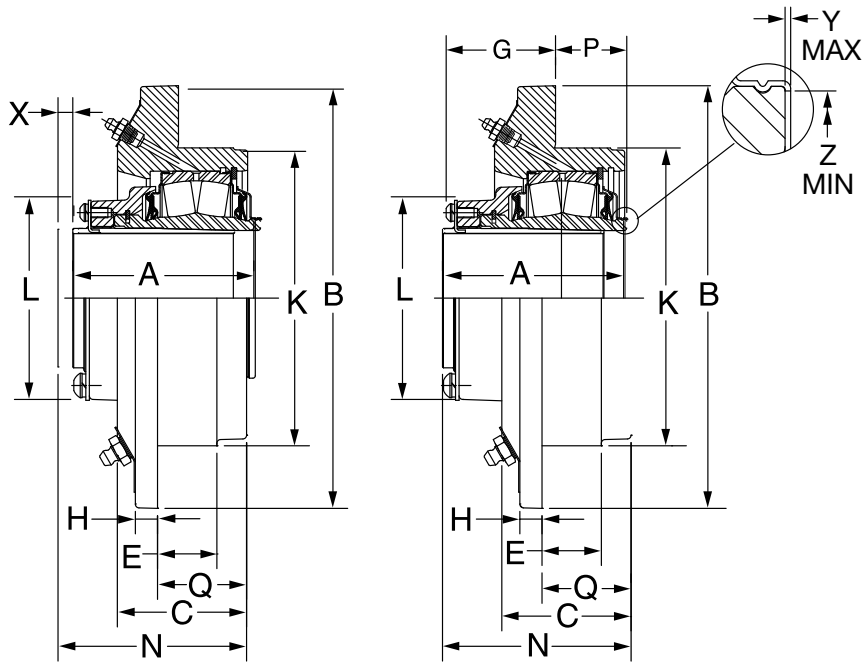
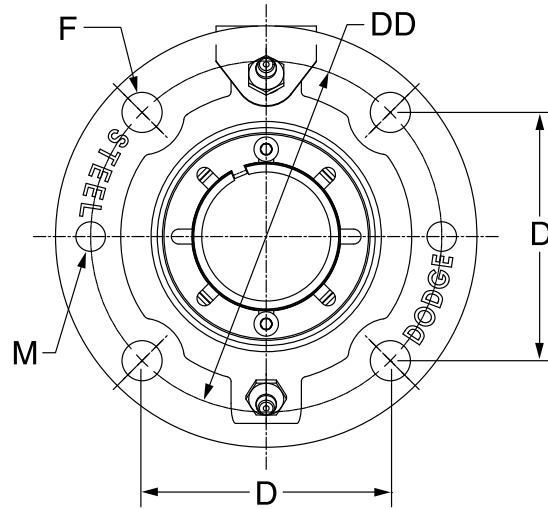
** 4-7/16 Thru 5" Have (6) Equally Spaced Mounting Holes

FEATURES/BENEFITS PAGE B14-2	SPECIFICATIONS PAGE B14-5	HOW TO ORDER/NOMENCLATURE PAGE B14-8	SELECTION PAGE B14-14
---------------------------------	------------------------------	---	--------------------------



DIMENSIONS

Steel IMPERIAL-HD Piloted Flange



EXPANSION

NON-EXPANSION

DIMENSIONS



Steel IMPERIAL-HD Piloted Flange

Bearing Reference Guide

E-Family Roller Bearings

Specialty Tapered Products

S-2000

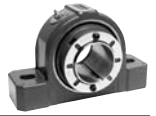
UNISPHERE II

IMPERIAL

UNIFIED SAF

Shaft Size	Dodge Non-Expansion		Dodge Expansion	
	Dodge Part No.	Description	Dodge Part No.	Description
1-1/8	072276	SFC-IP-102R	072307	SFC-IP-102RE
1-3/16	072277	SFC-IP-103R	072308	SFC-IP-103RE
1-1/4	072278	SFC-IP-104R	072309	SFC-IP-104RE
1-3/8	072279	SFC-IP-106R	072310	SFC-IP-106RE
1-7/16	072280	SFC-IP-107R	072311	SFC-IP-107RE
1-1/2	072281	SFC-IP-108R	072312	SFC-IP-108RE
1-5/8	072282	SFC-IP-110R	072313	SFC-IP-110RE
1-11/16	072283	SFC-IP-111R	072314	SFC-IP-111RE
1-3/4	072284	SFC-IP-112R	072315	SFC-IP-112RE
1-7/8	072285	SFC-IP-114R	072316	SFC-IP-114RE
1-15/16	072286	SFC-IP-115R	072317	SFC-IP-115RE
2	072287	SFC-IP-200R	072318	SFC-IP-200RE
2-3/16	072288	SFC-IP-203R	072319	SFC-IP-203RE
2-1/4	072289	SFC-IP-204R	072320	SFC-IP-204RE
2-7/16	072290	SFC-IP-207R	072321	SFC-IP-207RE
2-1/2	072291	SFC-IP-208R	072322	SFC-IP-208RE
2-11/16	072292	SFC-IP-211R	072323	SFC-IP-211RE
2-3/4	072293	SFC-IP-212R	072324	SFC-IP-212RE
2-15/16	072294	SFC-IP-215R	072325	SFC-IP-215RE
3	072295	SFC-IP-300R	072326	SFC-IP-300RE
3-3/16	072296	SFC-IP-303R	072327	SFC-IP-303RE
3-1/4	072297	SFC-IP-304R	072328	SFC-IP-304RE
3-7/16	072298	SFC-IP-307R	072329	SFC-IP-307RE
3-1/2	072299	SFC-IP-308R	072330	SFC-IP-308RE
3-11/16	072300	SFC-IP-311R	072331	SFC-IP-311RE
3-15/16	072301	SFC-IP-315R	072332	SFC-IP-315RE
4	072302	SFC-IP-400R	072333	SFC-IP-400RE
4-7/16	072303	SFC-IP-407R	072334	SFC-IP-407RE
4-1/2	072304	SFC-IP-408R	072335	SFC-IP-408RE
4-15/16	072305	SFC-IP-415R	072336	SFC-IP-415RE
5	072306	SFC-IP-500R	072337	SFC-IP-500RE

FEATURES/BENEFITS PAGE B14-2	SPECIFICATIONS PAGE B14-5	HOW TO ORDER/NOMENCLATURE PAGE B14-8	SELECTION PAGE B14-14
---------------------------------	------------------------------	---	--------------------------



DIMENSIONS

Steel IMPERIAL-HD Piloted Flange

Bearing Reference Guide

E-Family Roller Bearings

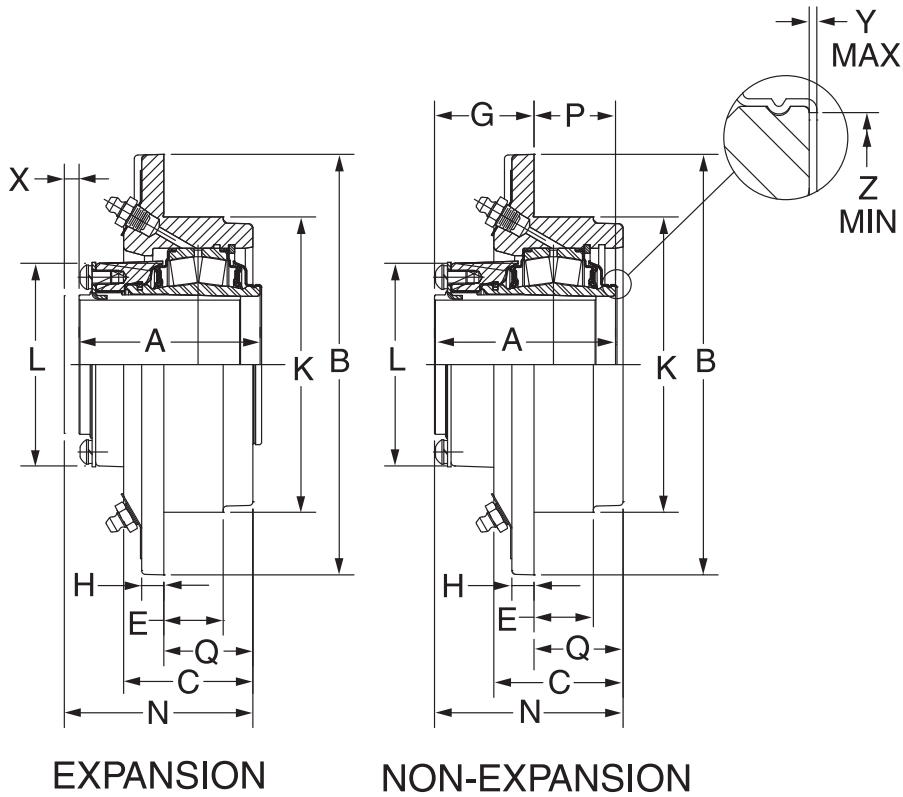
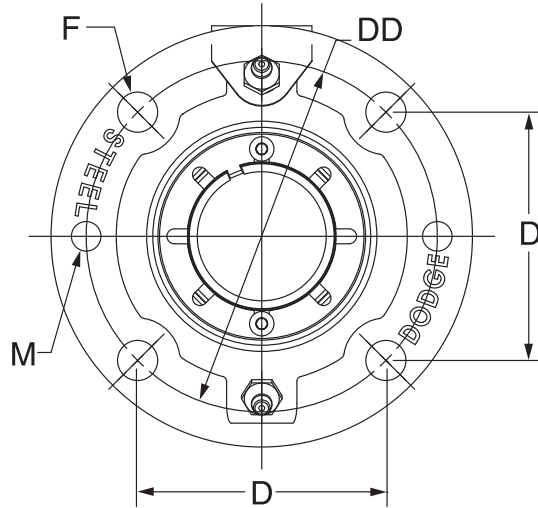
Specialty Tapered Products

S-2000

UNISPHERE II

IMPERIAL

UNIFIED SAF



FEATURES/BENEFITS PAGE B14-2	SPECIFICATIONS PAGE B14-5	HOW TO ORDER/NOMENCLATURE PAGE B14-8	SELECTION PAGE B14-14
---------------------------------	------------------------------	---	--------------------------

DIMENSIONS



Steel IMPERIAL-HD Piloted Flange

Shaft Size	A	B	C	D	DD	E	F Bolt Dia	G	H	K *	L	M	N	P	Q	X Total Exp	Y	Z
1-1/8 1-3/16 1-1/4 1-3/8 1-7/16 1-1/2	2.63	5.25	1.94	3.09	4.38	—	7/16	1.61	.50	3.625	2.72	7/16-14	2.78	1.01	1.17	3/16	0.02	1.80
1-5/8 1-11/16 1-3/4	2.81	6.13	2.19	3.63	5.13	1.33	7/16	1.44	.31	4.250	3.00	7/16-14	3.05	1.36	1.61	1/4	0.02	2.08
1-7/8 1-15/16 2	2.86	6.38	2.15	3.80	5.38	1.03	7/16	1.63	.50	4.500	3.28	7/16-14	3.05	1.23	1.42	1/4	0.02	2.30
2-3/16 2-1/4	3.03	7.13	2.42	4.25	6.00	1.02	1/2	1.80	.56	5.000	3.50	1/2-13	3.34	1.21	1.55	1/4	0.03	2.59
2-3/8 2-7/16 2-1/2	3.43	7.63	2.66	4.60	6.50	1.25	1/2	1.86	0.50	5.500	3.80	1/2-13	3.61	1.57	1.75	1/4	0.03	2.94
2-11/16 2-3/4 2-15/16 3	3.50	8.75	2.83	5.30	7.50	1.44	5/8	1.89	0.63	6.375	4.20	5/8-11	3.77	1.60	1.88	1/4	0.03	3.47
3-3/16 3-1/4 3-7/16 3-1/2	4.17	10.25	3.31	6.10	8.63	1.34	3/4	2.46	0.88	7.375	5.00	3/4-10	4.34	1.70	1.88	1/4	0.03	4.05
3-11/16 3-15/16 4	4.70	10.88	3.73	6.63	9.375	1.85	3/4	2.58	1.00	8.125	5.44	3/4-10	4.83	2.14	2.25	3/16	0.03	4.50
4-7/16 4-1/2	5.23	13.50	4.31	5.86	11.75	1.90	3/4**	3.01	1.00	10.250	6.34	3/4-10	5.70	2.72	2.70	3/8	0.04	5.00
4-15/16 5	5.98	14.75	4.64	6.38	12.75	2.06	7/8**	2.98	1.03	11.000	7.54	7/8-9	6.08	3.00	3.10	3/8	0.04	5.84

"P" & "G" Are For Non-Expansion Only
 "A" & "P" Dimensions Do Not Include "Y" Dimension
 * +0.000 / -0.002
 4-7/16 Thru 5" have 6 equally spaced mounting holes

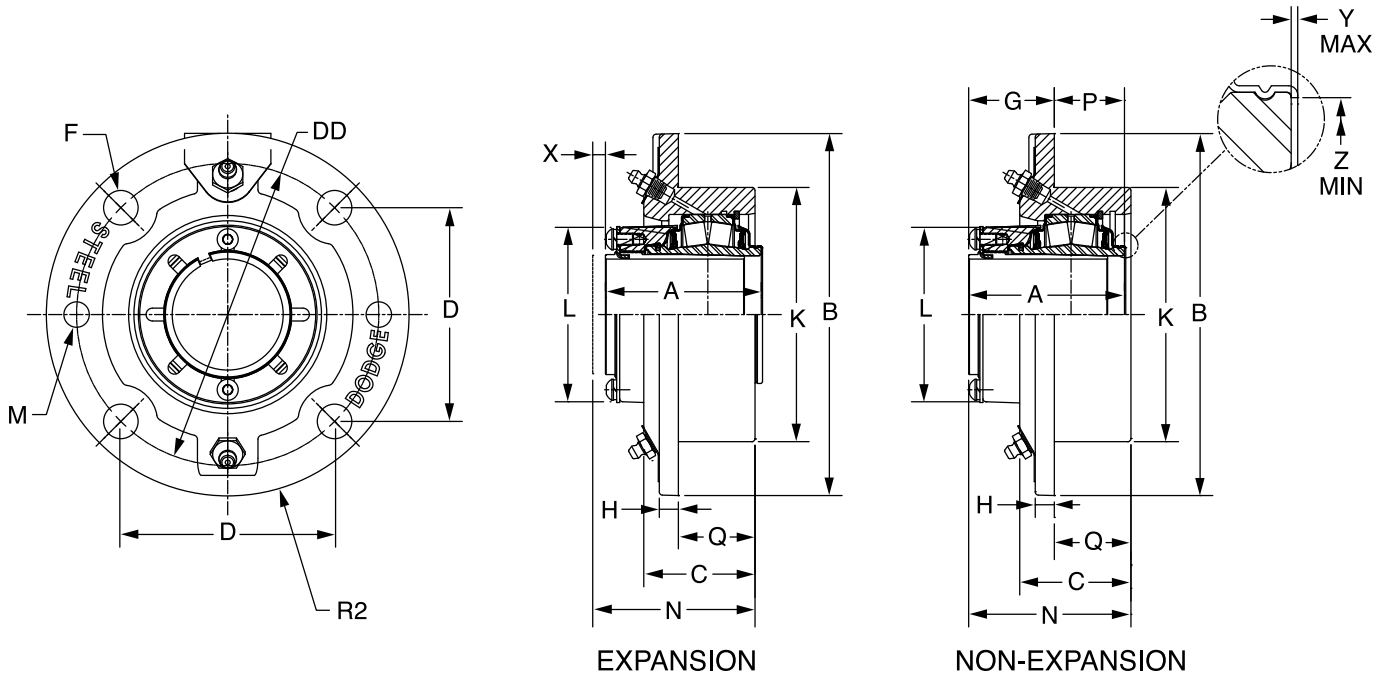
FEATURES/BENEFITS PAGE B14-2	SPECIFICATIONS PAGE B14-5	HOW TO ORDER/NOMENCLATURE PAGE B14-8	SELECTION PAGE B14-14
---------------------------------	------------------------------	---	--------------------------

Bearing Reference Guide
 E-Family Roller Bearings
 Specialty Tapered Products
 S-2000
 UNISPHERE II
 IMPERIAL
 UNIFIED SAF



DIMENSIONS

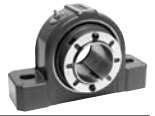
Steel IMPERIAL-HD Narrow Piloted Flange



Shaft Size	Dodge Non-Expansion		Dodge Expansion	
	Dodge Part No.	Description	Dodge Part No.	Description
1-7/16	072338	SFCN-IP-107R	072362	SFCN-IP-107RE
1-1/2	072339	SFCN-IP-108R	072363	SFCN-IP-108RE
1-11/16	072340	SFCN-IP-111R	072364	SFCN-IP-111RE
1-3/4	072341	SFCN-IP-112R	072365	SFCN-IP-112RE
1-15/16	072342	SFCN-IP-115R	072366	SFCN-IP-115RE
2	072343	SFCN-IP-200R	072367	SFCN-IP-200RE
2-3/16	072344	SFCN-IP-203R	072368	SFCN-IP-203RE
2-1/4	072345	SFCN-IP-204R	072369	SFCN-IP-204RE
2-7/16	072346	SFCN-IP-207R	072370	SFCN-IP-207RE
2-1/2	072347	SFCN-IP-208R	072371	SFCN-IP-208RE
2-11/16	072348	SFCN-IP-211R	072372	SFCN-IP-211RE
2-3/4	072349	SFCN-IP-212R	072373	SFCN-IP-212RE
2-15/16	072350	SFCN-IP-215R	072374	SFCN-IP-215RE
3	072351	SFCN-IP-300R	072375	SFCN-IP-300RE
3-3/16	072352	SFCN-IP-303R	072376	SFCN-IP-303RE
3-1/4	072353	SFCN-IP-304R	072377	SFCN-IP-304RE
3-7/16	072354	SFCN-IP-307R	072378	SFCN-IP-307RE
3-1/2	072355	SFCN-IP-308R	072379	SFCN-IP-308RE
3-11/16	072356	SFCN-IP-311R	072380	SFCN-IP-311RE
3-15/16	072358	SFCN-IP-315R	072382	SFCN-IP-315RE
4	072359	SFCN-IP-400R	072383	SFCN-IP-400RE
4-7/16	072360	SFCN-IP-407R	072384	SFCN-IP-407RE
4-1/2	072361	SFCN-IP-408R	072385	SFCN-IP-408RE

FEATURES/BENEFITS PAGE B14-2	SPECIFICATIONS PAGE B14-5	HOW TO ORDER/NOMENCLATURE PAGE B14-8	SELECTION PAGE B14-14
---------------------------------	------------------------------	---	--------------------------

DIMENSIONS



Steel IMPERIAL-HD Narrow Piloted Flange

Bearing Reference Guide

E-Family Roller Bearings

Specialty Tapered Products

S-2000

UNISPHERE II

IMPERIAL

UNIFIED SAF

Shaft Size	A	B	C	D	DD	F Bolt Dta.	G	H	K*	L	M	N	P	Q	X Total Exp	Y	Z
1-7/16 1-1/2	2.63	5.25	1.93	3.09	4.38	7/16	1.84	0.50	3.625	2.72	7/16 - 14	2.78	0.79	.94	3/16	0.02	1.80
1-11/16 1-3/4	2.81	6.13	1.95	3.62	5.13	7/16	2.09	0.50	4.250	3.00	7/16 - 14	2.97	0.73	.88	1/4	0.02	2.08
1-15/16 2	2.86	6.38	2.10	3.80	5.38	7/16	1.99	0.63	4.500	3.28	7/16 - 14	3.05	0.88	1.06	1/4	0.02	2.30
2-3/16 2-1/4	3.03	7.30	2.22	4.24	6.00	1/2	2.06	0.58	5.000	3.50	1/2-13	3.19	1.00	1.13	1/4	0.02	2.59
2-7/16 2-1/2	3.42	7.63	2.35	4.60	6.50	1/2	2.40	0.70	5.500	3.80	1/2-13	3.53	1.04	1.13	1/4	0.03	2.94
2-11/16 2-3/4 2-15/16 3	3.50	8.75	2.47	5.30	7.50	5/8	2.35	0.81	6.375	4.20	5/8 - 11	3.60	1.15	1.25	1/4	0.03	3.47
3-3/16 3-1/4 3-7/16 3-1/2	4.17	10.34	2.79	6.10	8.63	3/4	2.88	1.00	7.375	5.00	3/4 - 10	4.19	1.30	1.31	1/4	0.03	4.05
3-11/16 3-15/16 4	4.70	10.88	3.61	6.63	9.38	3/4	2.82	1.01	8.125	5.45	3/4 - 10	4.95	1.88	2.13	5/16	0.03	4.50
4-7/16 4-1/2	5.23	13.50	3.80	5.89	11.75	3/4 **	3.51	1.01	10.250	6.34	3/4 - 10	5.41	1.74	1.90	3/8	0.04	5.00

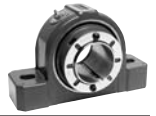
*P' & 'G' ARE FOR NON-EXPANSION ONLY

'A' & 'P' DIMENSIONS DO NOT INCLUDE 'Y' DIMENSION

* +0.000 / -0.002

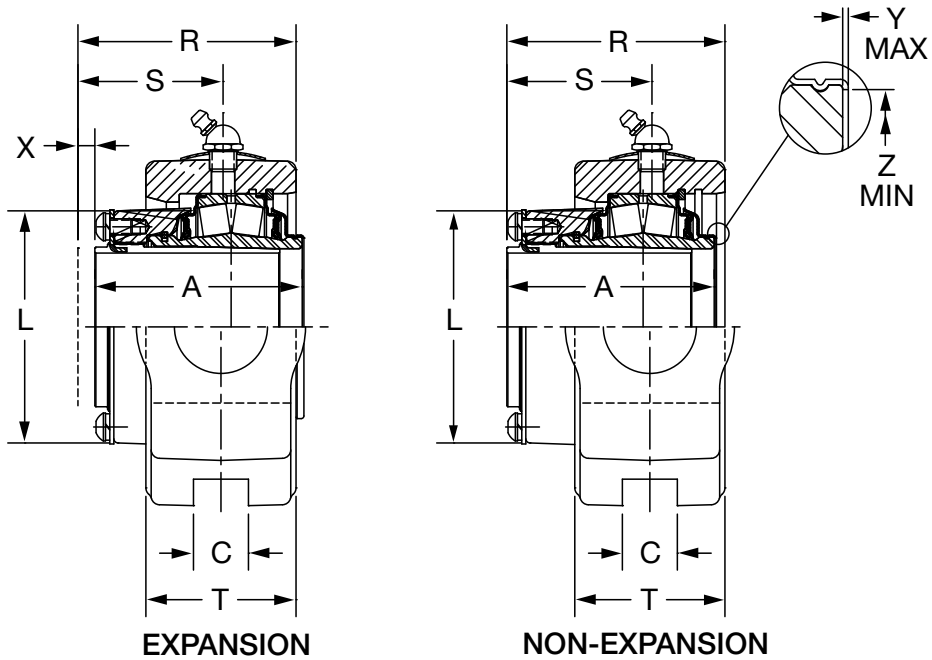
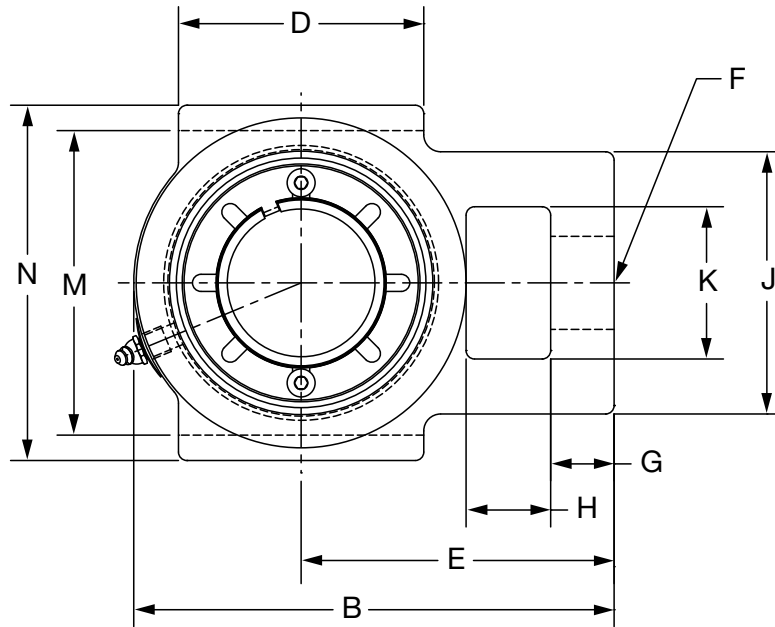
** 6 holes, equally spaced

FEATURES/BENEFITS PAGE B14-2	SPECIFICATIONS PAGE B14-5	HOW TO ORDER/NOMENCLATURE PAGE B14-8	SELECTION PAGE B14-14
---------------------------------	------------------------------	---	--------------------------



DIMENSIONS

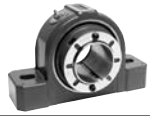
IMPERIAL - IP Wide Slot Take-Up 1-1/8 THRU 2-1/4 INCH



NOTE: See page B14-94 for 2-3/8" THRU 4"

FEATURES/BENEFITS PAGE B14-2	SPECIFICATIONS PAGE B14-5	HOW TO ORDER/NOMENCLATURE PAGE B14-8	SELECTION PAGE B14-14
---------------------------------	------------------------------	---	--------------------------

DIMENSIONS



IMPERIAL - IP Wide Slot Take-Up 1-1/8 THRU 2-1/4 INCH

Bearing Reference Guide

E-Family Roller Bearings

Specialty Tapered Products

S-2000

UNISPHERE II

IMPERIAL

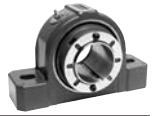
UNIFIED SAF

Bearing	Shaft Size Inch	Take-Up Frame	TRIDENT Seal			
			Non-Expansion		Expansion	
			Part No.	Part Name	Part No.	Part Name
22208	1-1/8	CP-308	069340	WSTU-IP-102R	069368	WSTU-IP-102RE
	1-3/16		069341	WSTU-IP-103R	069369	WSTU-IP-103RE
	1-1/4		069342	WSTU-IP-104R	069370	WSTU-IP-104RE
	1-3/8		069343	WSTU-IP-106R	069371	WSTU-IP-106RE
	1-7/16		069344	WSTU-IP-107R	069372	WSTU-IP-107RE
	1-1/2		069345	WSTU-IP-108R	069373	WSTU-IP-108RE
22209	1-5/8	CP-400	069346	WSTU-IP-110R	069374	WSTU-IP-110RE
	1-11/16		069347	WSTU-IP-111R	069375	WSTU-IP-111RE
	1-3/4		069348	WSTU-IP-112R	069376	WSTU-IP-112RE
22210	1-7/8	CP-400	069349	WSTU-IP-114R	069377	WSTU-IP-114RE
	1-15/16		069350	WSTU-IP-115R	069378	WSTU-IP-115RE
	2		069351	WSTU-IP-200R	069379	WSTU-IP-200RE
22211	2-3/16	CP-408	069352	WSTU-IP-203R	069380	WSTU-IP-203RE
	2-1/4		069353	WSTU-IP-204R	069381	WSTU-IP-204RE

Metric shaft sizes available upon request
See Page B15-20 for CP. Take-Up Frame

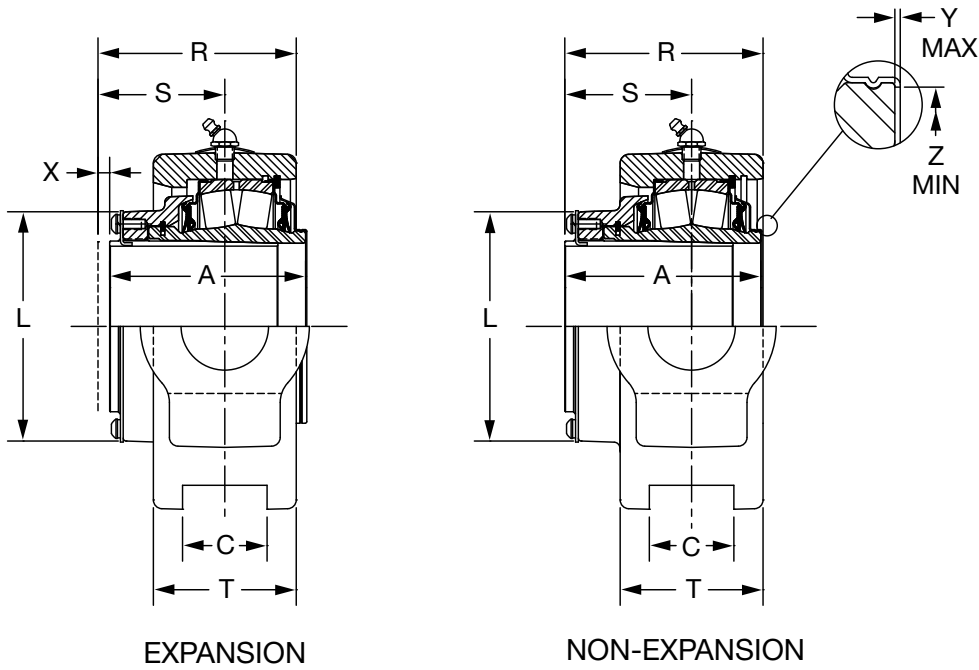
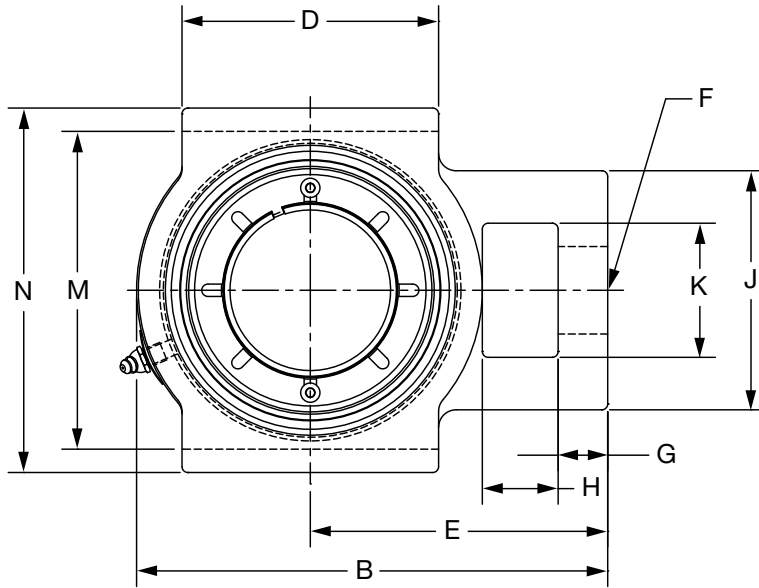
Shaft Size	A	B	C	D	E	F	G	H	J	K	L	M	N	R	S	T	X Total Exp	Y	Z
1-1/8	2.63	5.06	0.53	2.75	3.19	7/8	0.69	0.63	2.44	1.44	2.72	3.50	4.13	2.83	1.73	2.06	3/16	0.02	1.80
1-3/16																			
1-1/4																			
1-3/8																			
1-7/16																			
1-1/2																			
1-5/8	2.81	5.94	0.69	3.13	3.81	1-1/8	0.94	0.75	3.31	1.94	3.00	4.00	4.75	2.97	1.98	2.03	1/4	0.02	2.08
1-11/16																			
1-3/4																			
1-7/8	2.86	6.19	0.69	3.63	3.94	1-1/8	0.94	0.75	3.31	1.94	3.28	4.00	4.75	2.94	2.00	2.00	1/4	0.02	2.30
1-15/16																			
2																			
2-3/16	3.03	7.06	0.81	3.63	4.63	1-3/8	0.94	1.25	3.88	2.25	3.50	4.50	5.25	3.19	2.11	2.22	1/4	0.03	2.60
2-1/4																			

FEATURES/BENEFITS PAGE B14-2	SPECIFICATIONS PAGE B14-5	HOW TO ORDER/NOMENCLATURE PAGE B14-8	SELECTION PAGE B14-14
---------------------------------	------------------------------	---	--------------------------



DIMENSIONS

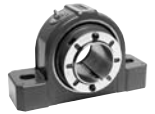
IMPERIAL - IP Wide Slot Take-Up 2-3/8 THRU 4 INCH



NOTE: See page B14-92 for 1-1/8 thru 2-1/4 inch

FEATURES/BENEFITS PAGE B14-2	SPECIFICATIONS PAGE B14-5	HOW TO ORDER/NOMENCLATURE PAGE B14-8	SELECTION PAGE B14-14
---------------------------------	------------------------------	---	--------------------------

DIMENSIONS



IMPERIAL - IP Wide Slot Take-Up 2-3/8 THRU 4 INCH

Bearing Reference Guide

E-Family Roller Bearings

Specialty Tapered Products

S-2000

UNISPHERE II

IMPERIAL

UNIFIED SAF

Bearing	Shaft Size inch	Take-Up Frame	TRIDENT Seal			
			Non-Expansion		Expansion	
			Part No.	Part Name	Part No.	Part Name
22213	2-3/8	CP-502	069354	WSTU-IP-206R	069382	WSTU-IP-206RE
	2-7/16		069355	WSTU-IP-207R	069383	WSTU-IP-207RE
	2-1/2		069356	WSTU-IP-208R	069384	WSTU-IP-208RE
22215	2-11/16	CP-515	069357	WSTU-IP-211R	069385	WSTU-IP-211RE
	2-3/4		069358	WSTU-IP-212R	069386	WSTU-IP-212RE
	2-15/16		069359	WSTU-IP-215R	069387	WSTU-IP-215RE
	3		069360	WSTU-IP-300R	069388	WSTU-IP-300RE
22218	3-3/16	CP-613	069361	WSTU-IP-303R	069389	WSTU-IP-303RE
	3-1/4		069362	WSTU-IP-304R	069390	WSTU-IP-304RE
	3-7/16		069363	WSTU-IP-307R	069391	WSTU-IP-307RE
	3-1/2		069364	WSTU-IP-308R	069392	WSTU-IP-308RE
22220	3-11/16	CP-810	069365	WSTU-IP-311R	069393	WSTU-IP-311RE
	3-15/16		069366	WSTU-IP-315R	069394	WSTU-IP-315RE
	4		069367	WSTU-IP-400R	069395	WSTU-IP-400RE

Metric shaft sizes available upon request

See Page B15-20 for CP Take-U Frame

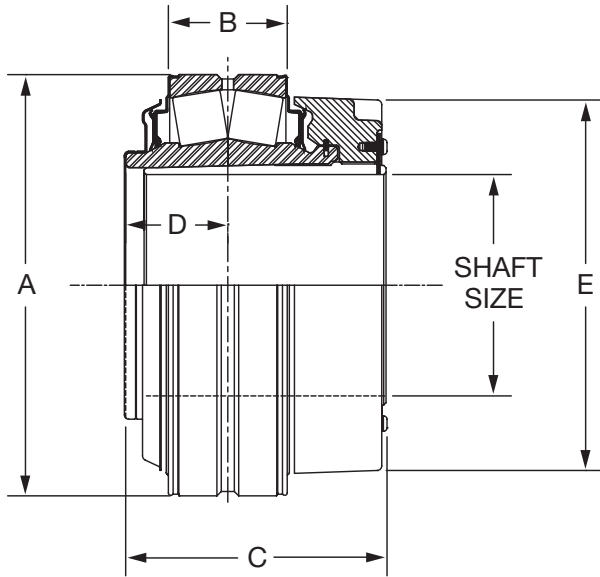
Shaft Size	A	B	C	D	E	F	G	H	J	K	L	M	N	R	S	T	X Total Exp	Y	Z
2-3/8																			
2-7/16	3.42	7.69	1.06	4.38	5.00	1-3/8	1.06	1.25	4.25	2.50	3.88	5.13	5.88	3.44	2.22	2.44	1/4	0.03	2.95
2-1/2																			
2-11/16																			
2-3/4	3.50	8.88	1.81	4.50	5.75	1-5/8	1.13	1.50	4.88	2.75	4.28	5.94	6.69	3.67	2.28	2.69	1/4	0.03	3.47
2-15/16																			
3																			
3-3/16																			
3-1/4	4.16	10.06	1.81	5.50	6.38	1-7/8	1.06	1.63	5.13	2.88	5.00	6.81	7.81	4.22	2.69	3.06	1/4	0.03	4.05
3-7/16																			
3-1/2																			
3-11/16																			
3-15/16	4.70	12.56	2.06	7.00	8.38	2-1/8	2.06	2.13	6.00	3.38	5.56	8.63	9.44	4.80	3.05	3.44	5/16	0.03	4.50
4																			

FEATURES/BENEFITS PAGE B14-2	SPECIFICATIONS PAGE B14-5	HOW TO ORDER/NOMENCLATURE PAGE B14-8	SELECTION PAGE B14-14
---------------------------------	------------------------------	---	--------------------------

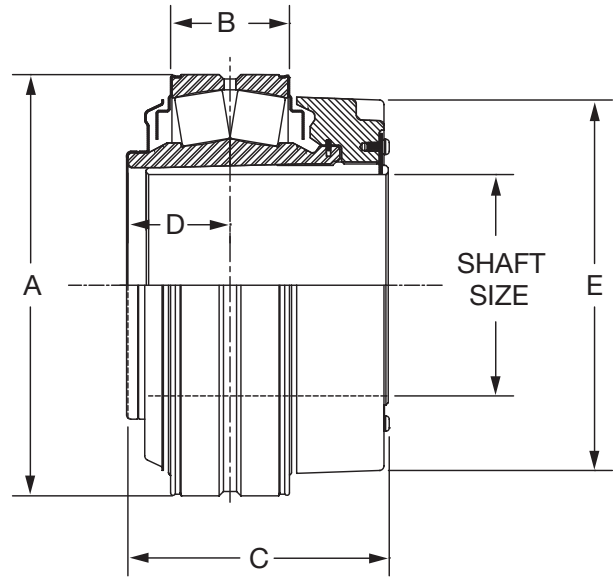


DIMENSIONS

IMPERIAL Bearing Insert 1-1/8 THRU 2-1/4 INCH



TRIDENT SEAL



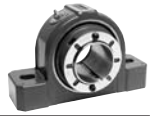
LABYRINTH SEAL

Bearing Series	Shaft Size Inch	TRIDENT Seal		Labyrinth Seal		A	B	C	D	E
		Part Number	Part Name	Part Number	Part Name					
22208	1-1/8	070880	INS-IP-102R	070912	INS-IP-102L	3.15	0.95	2.63	0.97	2.72
	1-3/16	070881	INS-IP-103R	070913	INS-IP-103L					
	1-1/4	070882	INS-IP-104R	070914	INS-IP-104L					
	1-3/8	070883	INS-IP-106R	070915	INS-IP-106L					
	1-7/16	070884	INS-IP-107R	070916	INS-IP-107L					
1-1/2	070885	INS-IP-108R	070917	INS-IP-108L						
22209	1-1/2 *	071590	INS-IPE-108R	071593	INS-IPE-108L	3.35	0.95	2.81	0.95	3.00
	1-5/8	070886	INS-IP-110R	070918	INS-IP-110L					
	1-11/16	070887	INS-IP-111R	070919	INS-IP-111L					
	1-3/4	070888	INS-IP-112R	070920	INS-IP-112L					
22210	1-3/4 *	071591	INS-IPE-112R	071594	INS-IPE-112L	3.54	0.95	2.86	0.98	3.28
	1-7/8	070889	INS-IP-114R	070921	INS-IP-114L					
	1-15/16	070890	INS-IP-115R	070922	INS-IP-115L					
	2	070891	INS-IP-200R	070923	INS-IP-200L					
22211	2-3/16	070892	INS-IP-203R	070924	INS-IP-203L	3.94	1.05	3.03	1.05	3.50
	2-1/4	070893	INS-IP-204R	070925	INS-IP-204L					

* Inserts for IMPERIAL-Type E dimensioned housings only

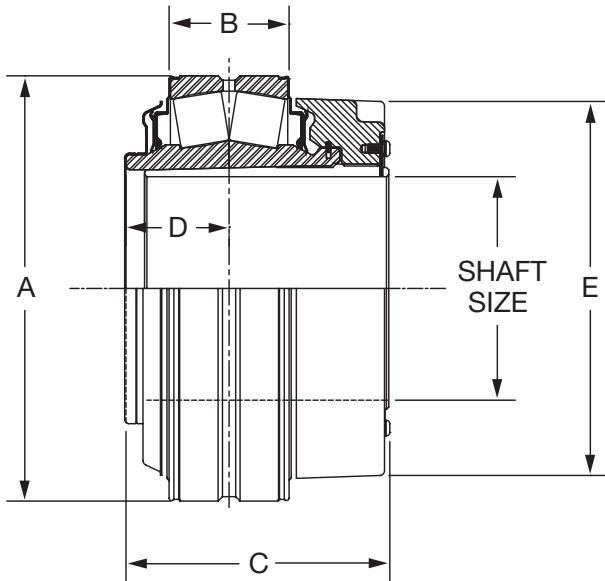
Metric shaft sizes available upon request

FEATURES/BENEFITS PAGE B14-2	SPECIFICATIONS PAGE B14-5	HOW TO ORDER/NOMENCLATURE PAGE B14-8	SELECTION PAGE B14-14
---------------------------------	------------------------------	---	--------------------------

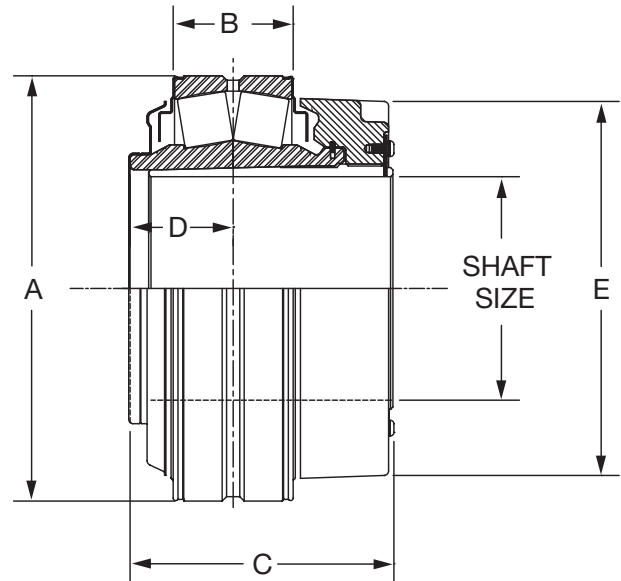


DIMENSIONS

IMPERIAL Bearing Insert 2-3/8 THRU 5 INCH



TRIDENT SEAL



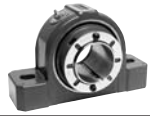
LABYRINTH SEAL

Bearing Series	Shaft Size	TRIDENT Seal		Labyrinth Seal		A	B	C	D	E
		Part Number	Part Name	Part Number	Part Name					
22213	2-1/4 *	071592	INS-IP-204R	071595	INS-IP-204L	4.72	1.28	3.42	1.21	3.88
	2-3/8	070894	INS-IP-206R	070926	INS-IP-206L					
	2-7/16	070895	INS-IP-207R	070927	INS-IP-207L					
	2-1/2	070896	INS-IP-208R	070928	INS-IP-208L					
22215	2-11/16	070897	INS-IP-211R	070929	INS-IP-211L	5.12	1.28	3.50	1.22	4.28
	2-3/4	070898	INS-IP-212R	070930	INS-IP-212L					
	2-15/16	070899	INS-IP-215R	070931	INS-IP-215L					
	3	070900	INS-IP-300R	070932	INS-IP-300L					
22218	3-3/16	070901	INS-IP-303R	070933	INS-IP-303L	6.30	1.63	4.17	1.48	5.00
	3-1/4	070902	INS-IP-304R	070934	INS-IP-304L					
	3-7/16	070903	INS-IP-307R	070935	INS-IP-307L					
	3-1/2	070904	INS-IP-308R	070936	INS-IP-308L					
22220	3-11/16	070905	INS-IP-311R	070937	INS-IP-311L	7.09	1.88	4.70	1.65	5.56
	3-15/16	070906	INS-IP-315R	070938	INS-IP-315L					
	4	070907	INS-IP-400R	070939	INS-IP-400L					
22222	4-7/16	070908	INS-IP-407R	070940	INS-IP-407L	7.87	2.16	5.23	1.94	6.44
	4-1/2	070909	INS-IP-408R	070941	INS-IP-408L					
22226	4-15/16	070910	INS-IP-415R	070942	INS-IP-415L	9.06	2.59	5.98	2.11	7.63
	5	070911	INS-IP-500R	070943	INS-IP-500L					

* Insert for IMPERIAL-Type E dimensioned housings only

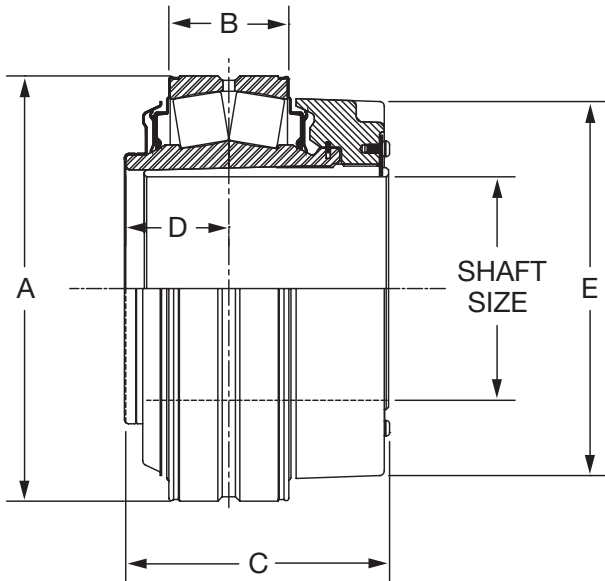
Metric shaft sizes available upon request

FEATURES/BENEFITS PAGE B14-2	SPECIFICATIONS PAGE B14-5	HOW TO ORDER/NOMENCLATURE PAGE B14-8	SELECTION PAGE B14-14
---------------------------------	------------------------------	---	--------------------------

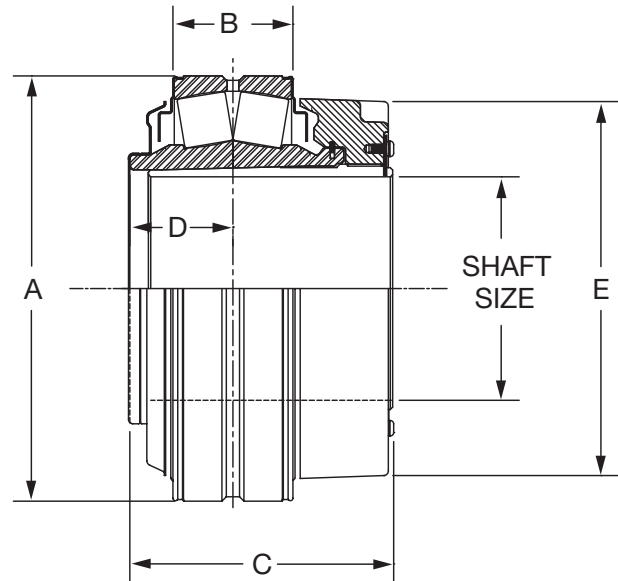


DIMENSIONS

IMPERIAL Bearing Insert - For Large Bore ISAF Housing 5-7/16 THRU 7 INCH



TRIDENT SEAL



LABYRINTH SEAL

Bearing Series	Shaft Size	TRIDENT Seal		Labyrinth Seal	
		Part Number	Part Name	Part Number	Part Name
22228	5-7/16	037925	INS-IP-507R	037933	INS-IP-507L
	5-1/2	037926	INS-IP-508R	037934	INS-IP-508L
22232	5-15/16	037927	INS-IP-515R	037935	INS-IP-515L
	6	037928	INS-IP-600R	037936	INS-IP-600L
22236	6-7/16	037929	INS-IP-607R	037937	INS-IP-607L
	6-1/2	037930	INS-IP-608R	037938	INS-IP-608L
	6-15/16	037931	INS-IP-615R	037939	INS-IP-615L
	7	037932	INS-IP-700R	037940	INS-IP-700L

Metric shaft sizes available upon request

Shaft Size	A	B	C	D	E
5-7/16					
5-1/2	9.84	2.75	6.17	2.34	8.75
5-15/16					
6	11.42	3.22	7.08	2.77	10.25
6-7/16					
6-1/2	12.60	3.47	7.39	2.86	11.41
6-15/16					
7					

FEATURES/BENEFITS PAGE B14-2	SPECIFICATIONS PAGE B14-5	HOW TO ORDER/NOMENCLATURE PAGE B14-8	SELECTION PAGE B14-14
---------------------------------	------------------------------	---	--------------------------

DIMENSIONS



HOW TO ORDER ISAF SMART STOCK SELECTIONS

STEP 1: The Housing Choices

- ISAF housings with embedded thermocouple probe and adapter plate.

Shaft Size	Series	Part Numbers Drilled Housing For Temperature or Vibration
207	515	063765
215	517	063766
307	520	063767
315	522	063768
407	526	063769
415	528	063770

STEP 2: Bearing Insert

- Select insert based on shaft size and seal choice. Locknut contains holes for prox target attachment.

Shaft Size	Contact Seal	Labyrinth Seals
207	070895	070927
215	070899	070931
307	070903	070935
315	070906	070938
407	048385	048389
415	048386	048390

STEP 3: The Sensor Choices

- For speed monitoring, select prox cover and AC prox kit (055940), AC for PLC monitoring.
- For temperature monitoring, select the Thermocouple Transmitter kit **055931**.
- For temperature and vibration monitoring, select **067576**.

Prox Covers		
Shaft Size	Housing Series	Part Number
207	515	063771
215	517	063772
307	520	063773
315	522	063774
407	526	063775
415	528	063776

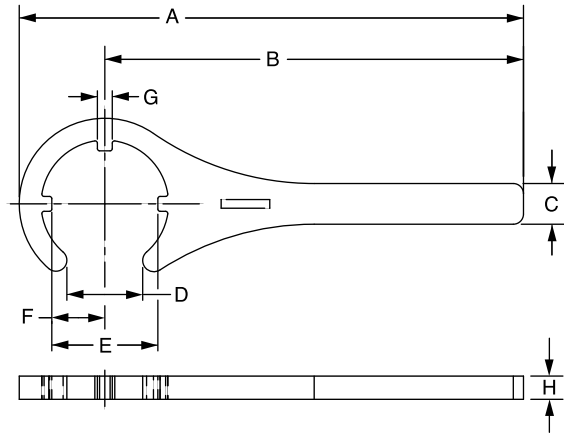
ISAF Sensor Kits	Part Number
AC Prox	055940
Thermocouple Transmitter	055931
4-20mA Accelerometer and Thermocouple	067576

FEATURES/BENEFITS PAGE B14-2	SPECIFICATIONS PAGE B14-5	HOW TO ORDER/NOMENCLATURE PAGE B14-8	SELECTION PAGE B14-14
---------------------------------	------------------------------	---	--------------------------



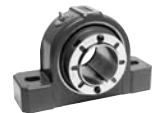
DIMENSIONS

IMPERIAL Spanner Wrench



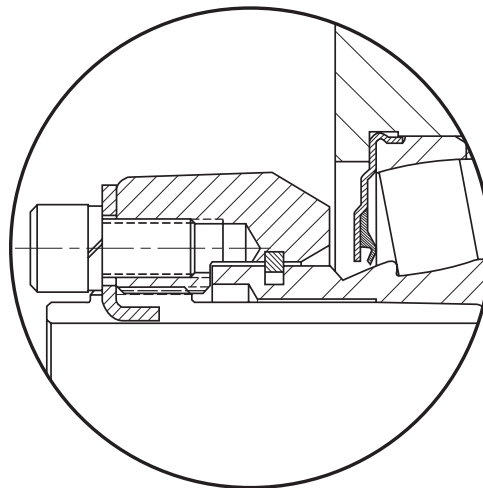
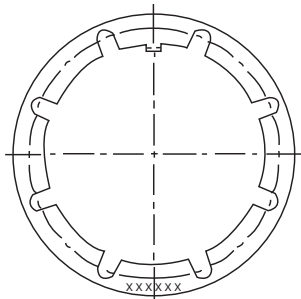
Shaft Size	Part Number	A	B	C	D	E	F	G	H
1-1/8 thru 1-1/2	066629	10.84	9.00	0.88	1.63	2.28	1.14	0.32	0.50
1-5/8 thru 1-3/4	066630	11.04	9.00	0.88	1.88	2.48	1.24	0.32	0.50
1-7/8 thru 2	066631	11.20	9.00	0.88	2.13	2.72	1.36	0.32	0.50
2-3/16 2-1/4	066632	12.38	10.00	0.88	2.38	2.98	1.49	0.44	0.50
2-3/8 thru 2-1/2	066633	12.63	10.00	1.31	2.63	3.40	1.70	0.44	0.50
2-11/16 thru 3	066634	16.90	14.00	1.31	3.13	3.80	1.90	0.44	0.50
3-3/16 thru 3-1/2	066635	17.39	14.00	1.31	3.63	4.36	2.18	0.44	0.50
3-11/16 thru 4	066636	17.75	14.00	1.75	4.13	4.91	2.46	0.44	0.50
4-7/16 4-1/2	066637	20.36	16.00	1.75	4.63	5.68	2.84	0.44	0.50
4-15/16 5	066638	25.17	20.00	2.00	5.13	6.88	3.44	0.44	0.50
5-7/16 5-1/2	066642	27.82	22.00	2.00	5.63	8.05	4.03	0.69	0.50
5-15/16 6	066643	28.75	22.00	2.00	6.13	9.13	4.57	0.75	0.50
6-7/16 thru 7	066644	31.54	24.00	2.00	7.13	10.08	5.04	0.75	0.50

FEATURES/BENEFITS PAGE B14-2	SPECIFICATIONS PAGE B14-5	HOW TO ORDER/NOMENCLATURE PAGE B14-8	SELECTION PAGE B14-14
---------------------------------	------------------------------	---	--------------------------



DIMENSIONS

IMPERIAL Lockplate Kit



The Lockplate Kits consists of:
 Lockplate
 2 Socket Head Capscrews
 2 Lockwashers

Shaft Size Inch	Part Number
1-7/16	048925
1-11/16	048926
1-15/16 2 SM	048927
2 LG 2-3/16	048928
2-3/8 2-7/16	048929
2-11/16 2-3/4 2-15/16	048930
3-7/16	048931
3-15/16	048932
4-7/16	048933
4-15/16	048934



DIMENSIONS

Steel IMPERIAL Open End Covers

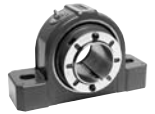


Shaft Size	Front End				Backside			
	IMPERIAL		E-IMPERIAL		IMPERIAL		E-IMPERIAL	
	Dodge Part No.	Description	Dodge Part No.	Description	Dodge Part No.	Description	Dodge Part No.	Description
1-1/8	070160	IPECO-08-102	070160	IPECO-08-102	072500	S2IPBECO-08-102	072500	S2IPBECO-08-102
1-3/16	070161	IPECO-08-103	070161	IPECO-08-103	072501	S2IPBECO-08-103	072501	S2IPBECO-08-103
1-1/4	070162	IPECO-08-104	070162	IPECO-08-104	072502	S2IPBECO-08-104	072502	S2IPBECO-08-104
1-3/8	070163	IPECO-08-106	070163	IPECO-08-106	072503	S2IPBECO-08-106	072503	S2IPBECO-08-106
1-7/16	070164	IPECO-08-107	070164	IPECO-08-107	072504	S2IPBECO-08-107	072504	S2IPBECO-08-107
1-1/2	070165	IPECO-08-108	070166	IPECO-09-108	072505	S2IPBECO-08-108	072506	S2IPBECO-09-108
1-5/8	070167	IPECO-09-110	070167	IPECO-09-110	072507	S2IPBECO-09-110	072507	S2IPBECO-09-110
1-11/16	070168	IPECO-09-111	070168	IPECO-09-111	072508	S2IPBECO-09-111	072508	S2IPBECO-09-111
1-3/4	070169	IPECO-09-112	070170	IPECO-10-112	072509	S2IPBECO-09-112	072510	S2IPBECO-10-112
1-7/8	070171	IPECO-10-114	070171	IPECO-10-114	072511	S2IPBECO-10-114	072511	S2IPBECO-10-114
1-15/16	070172	IPECO-10-115	070172	IPECO-10-115	072512	S2IPBECO-10-115	072512	S2IPBECO-10-115
2	070173	IPECO-10-200	070173	IPECO-10-200	072513	S2IPBECO-10-200	072513	S2IPBECO-10-200
2-3/16	070174	IPECO-11-203	070174	IPECO-11-203	072514	S2IPBECO-11-203	072514	S2IPBECO-11-203
2-1/4	070175	IPECO-11-204	070176	S2IPECO-13-204	072515	S2IPBECO-11-204	072516	S2IPBECO-13-204
2-3/8	070177	S2IPECO-13-206	070177	S2IPECO-13-206	072517	S2IPBECO-13-206	072517	S2IPBECO-13-206
2-7/16	070178	S2IPECO-13-207	070178	S2IPECO-13-207	072518	S2IPBECO-13-207	072518	S2IPBECO-13-207
2-1/2	070179	S2IPECO-13-208	070179	S2IPECO-13-208	072519	S2IPBECO-13-208	072519	S2IPBECO-13-208
2-11/16	070180	IPECO-15-211	070180	IPECO-15-211	072520	S2IPBECO-15-211	072520	S2IPBECO-15-211
2-3/4	070181	IPECO-15-212	070181	IPECO-15-212	072521	S2IPBECO-15-212	072521	S2IPBECO-15-212
2-15/16	070182	IPECO-15-215	070182	IPECO-15-215	072522	S2IPBECO-15-215	072522	S2IPBECO-15-215
3	070183	IPECO-15-300	070183	IPECO-15-300	072523	S2IPBECO-15-300	072523	S2IPBECO-15-300
3-3/16	070184	S2IPECO-18-303	070184	S2IPECO-18-303	072524	S2IPBECO-18-303	072524	S2IPBECO-18-303
3-1/4	070185	S2IPECO-18-304	070185	S2IPECO-18-304	072525	S2IPBECO-18-304	072525	S2IPBECO-18-304
3-7/16	070186	S2IPECO-18-307	070186	S2IPECO-18-307	072526	S2IPBECO-18-307	072526	S2IPBECO-18-307
3-1/2	070187	S2IPECO-18-308	070187	S2IPECO-18-308	072527	S2IPBECO-18-308	072527	S2IPBECO-18-308
3-11/16	070188	S2IPECO-20-311	070188	S2IPECO-20-311	072528	S2IPBECO-20-311	072528	S2IPBECO-20-311
3-15/16	070189	S2IPECO-20-315	070189	S2IPECO-20-315	072529	S2IPBECO-20-315	072529	S2IPBECO-20-315
4	070190	S2IPECO-20-400	070190	S2IPECO-20-400	072530	S2IPBECO-20-400	072530	S2IPBECO-20-400
4-7/16	070191	S2IPECO-22-407	070191	S2IPECO-22-407	072531	IPBECO-22-407	072531	IPBECO-22-407
4-1/2	070192	S2IPECO-22-408	070192	S2IPECO-22-408	072533	IPBECO-22-408	072533	IPBECO-22-408
4-15/16	070193	S2IPECO-26-415	070193	S2IPECO-26-415	072534	IPBECO-26-415	072534	IPBECO-26-415
5	070194	S2IPECO-26-500	070194	S2IPECO-26-500	072536	IPBECO-26-500	072536	IPBECO-26-500

NOTE: ISAF product will use the same front end covers on the sides of the housing

FEATURES/BENEFITS PAGE B14-2	SPECIFICATIONS PAGE B14-5	HOW TO ORDER/NOMENCLATURE PAGE B14-8	SELECTION PAGE B14-14
---------------------------------	------------------------------	---	--------------------------

DIMENSIONS



Steel IMPERIAL Closed End Covers



Shaft Size	IMPERIAL		E-IMPERIAL	
	Dodge Part No.	Description	Dodge Part No.	Description
1-1/8 to 1-7/16	069960	IPEC08	069960	IPEC08
1-1/2	069960	IPEC08	069961	IPEC09
1-5/8 to 1-11/16	069961	IPEC09	069961	IPEC09
1-3/4	069961	IPEC09	069962	IPEC10
1-7/8 to 2	069962	IPEC10	069962	IPEC10
2-3/16	069963	IPEC11	069963	IPEC11
2-1/4	069963	IPEC11	069964	IPEC13
2-3/8 to 2-1/2	069964	IPEC13	069964	IPEC13
2-11/16 to 3	069965	IPEC15	069965	IPEC15
3-3/16 to 3-1/2	069966	IPEC18	069966	IPEC18
3-11/16 to 4	069967	S2IPEC20	069967	S2IPEC20
4-7/16 to 4-1/2	069968	S2IPEC22	069968	S2IPEC22
4-15/16 to 5	069969	S2IPEC26	069969	S2IPEC26

Bearing Reference Guide

E-Family Roller Bearings

Specialty Tapered Products

S-2000

UNISPHERE II

IMPERIAL

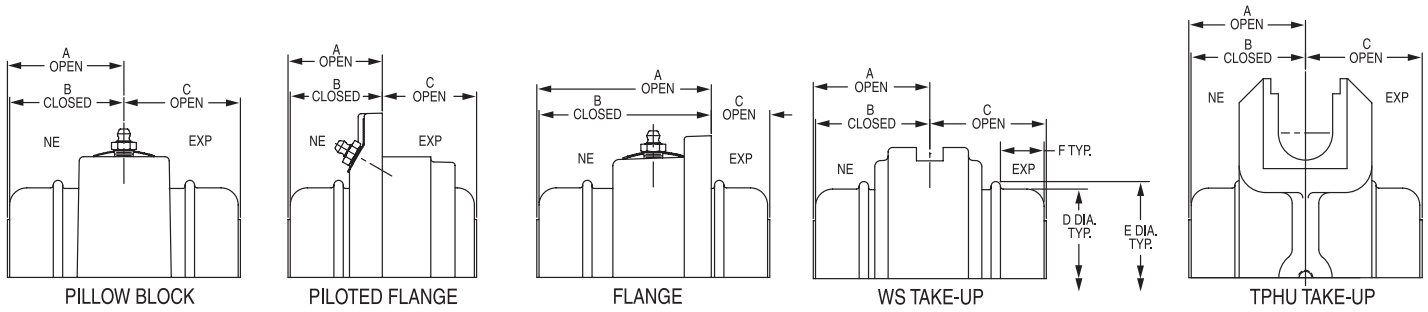
UNIFIED SAF

FEATURES/BENEFITS PAGE B14-2	SPECIFICATIONS PAGE B14-5	HOW TO ORDER/NOMENCLATURE PAGE B14-8	SELECTION PAGE B14-14
---------------------------------	------------------------------	---	--------------------------



DIMENSIONS

IP End Cover



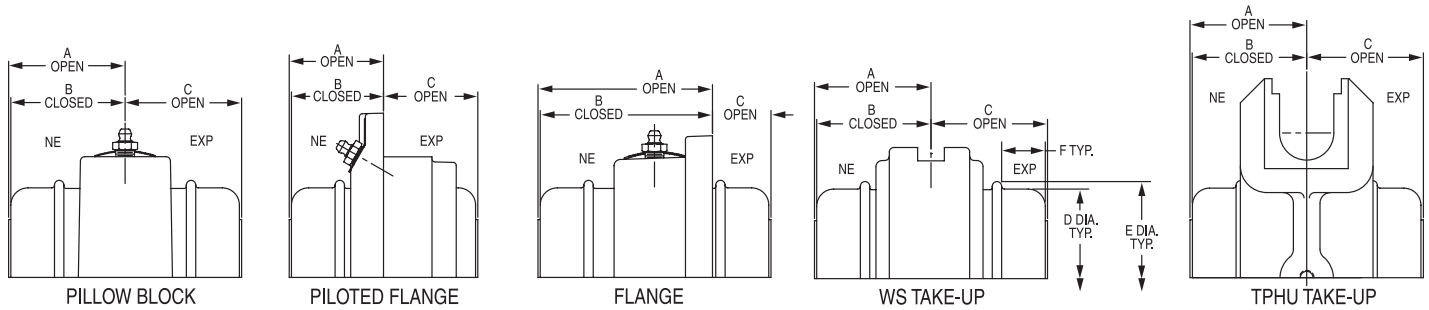
	Shaft Size	IP Pillow Block (2 Bolt)	IP Pillow Block (4 Bolt)	IP Piloted Flange	IP Round Flange	IP Square Flange	Wide Slot Take-Up
A Open	1-1/8	2.03		1.67	3.12	3.45	2.06
B Closed	Thru	1.97	N/A	1.61	3.06	3.39	2.00
C Open	1-1/2	2.10		2.46	0.99	0.99	2.10
A Open	1-5/8	2.22		1.83	3.33	4.07	2.19
B Closed	1-11/16	2.16	N/A	1.77	3.27	4.01	2.13
C Open	1-3/4	2.25		2.60	1.10	1.10	2.25
A Open	1-7/8	2.31		1.92	3.47	3.95	2.25
B Closed	1-15/16	2.25	N/A	1.86	3.41	3.89	2.19
C Open	2	2.45		2.83	1.28	1.28	2.45
A Open	2-3/16	2.47		2.00	3.69	4.53	2.42
B Closed	Thru	2.41	N/A	1.94	3.63	4.47	2.36
C Open	2-1/4	2.54		3.00	1.32	1.32	2.54
A Open	2-3/8	2.53	2.53	2.18	4.04	4.72	2.53
B Closed	2-7/16	2.44	2.44	2.09	3.95	4.63	2.44
C Open	2-1/2	2.77	2.77	3.24	1.37	1.37	2.77
A Open	2-11/16	2.65	2.65	2.29	4.18	5.06	2.70
B Closed	Thru	2.56	2.56	2.20	4.09	4.97	2.61
C Open	3	3.06	3.06	3.54	1.66	1.66	3.06
A Open	3-3/16	3.07	3.07	2.91		5.78	3.07
B Closed	Thru	2.94	2.94	2.78	N/A	5.65	2.94
C Open	3-1/2	3.31	3.31	3.59		1.63	3.31
A Open	3-11/16	3.49	3.49	3.32		7.17	3.52
B Closed	Thru	3.36	3.36	3.19	N/A	7.04	3.39
C Open	4	3.80	3.80	4.13		1.94	3.80
A Open	4-7/16		3.96	4.02			
B Closed	Thru	N/A	3.83	3.89	N/A	N/A	N/A
C Open	4-1/2		4.23	4.16			
A Open	4-15/16		4.49	4.24			
B Closed	Thru	N/A	4.36	4.11	N/A	N/A	N/A
C Open	5		4.69	4.91			

FEATURES/BENEFITS PAGE B14-2	SPECIFICATIONS PAGE B14-5	HOW TO ORDER/NOMENCLATURE PAGE B14-8	SELECTION PAGE B14-14
---------------------------------	------------------------------	---	--------------------------

DIMENSIONS



IP End Cover



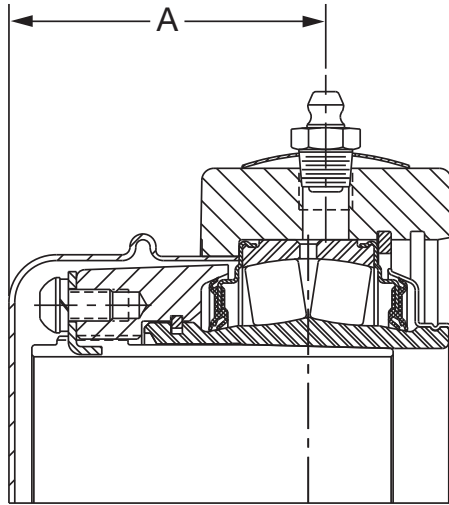
	Shaft Size	E-IP Pillow Block (2 Bolt)	E-IP Pillow Block (4 Bolt)	E-IP Piloted Flange	E-IP Square Flange	D	E	F		Shaft Size	ISAF Pillow Block (2 Bolt)	ISAF Pillow Block (4 Bolt)
A Open	1-3/8	2.03		1.67	3.45				A Open		2.04	
B Closed	Thru	1.97	N/A	1.61	3.39	2.94	3.19	3/4	B Closed	1-7/16	1.98	N/A
C Open	1-7/16	2.07		2.46	1.20				C Open		2.05	
A Open	1-1/2	2.22		1.83	4.07				A Open		2.20	
B Closed	1-5/8	2.16	N/A	1.77	4.01	3.27	3.39	7/8	B Closed	1-11/16	2.14	N/A
C Open	1-11/16	2.22		2.60	1.20				C Open		2.18	
A Open	1-3/4	2.31		1.92	3.95				A Open		2.35	
B Closed	Thru	2.25	N/A	1.86	3.89	3.52	3.61	1-1/64	B Closed	1-15/16	2.29	N/A
C Open	2	2.45		2.83	1.38				C Open		2.37	
A Open		2.47		2.00	4.53				A Open		2.46	
B Closed	2-3/16	2.41	N/A	1.94	4.47	3.77	3.95	1-1/32	B Closed	2-3/16	2.40	N/A
C Open		2.54		3.00	1.43				C Open		2.44	
A Open	2-1/4	2.53	2.53	2.18	4.72				A Open		2.74	2.74
B Closed	2-7/16	2.44	2.44	2.09	4.63	4.41	4.64	1	B Closed	2-7/16	2.65	2.65
C Open	2-1/2	2.77	2.77	3.24	1.69				C Open		2.69	2.69
A Open	2-11/16	2.65	2.63	2.29	5.06				A Open		2.83	2.83
B Closed	Thru	2.56	2.54	2.20	4.97	4.92	5.06	1-7/32	B Closed	2-11/16	2.74	2.74
C Open	3	3.06	3.06	3.54	1.62				C Open		2.94	2.94
A Open	3-3/16	3.07	3.04	2.91	5.78				A Open		2.83	2.83
B Closed	Thru	2.94	2.91	2.78	5.65	5.98	6.22	1-1/8	B Closed	2-15/16	2.74	2.74
C Open	3-1/2	3.31	3.31	3.59	1.38				C Open		2.98	2.98
A Open	3-15/16		3.80	3.31	7.17				A Open		3.31	3.31
B Closed	Thru	N/A	3.67	3.19	7.04	6.67	6.91	1-3/8	B Closed	3-7/16	3.18	3.18
C Open	4		3.80	4.13	2.06				C Open		3.26	3.26
A Open	4-7/16		3.91	3.85	7.62				A Open			3.70
B Closed	Thru	N/A	3.78	3.72	7.49	7.31	7.56	1-43/64	B Closed	3-15/16	N/A	3.57
C Open	4-1/2		4.23	4.68	4.23				C Open			3.68
A Open	4-15/16		4.46	4.08					A Open			4.05
B Closed	Thru	N/A	4.33	3.95	N/A	8.44	8.69	1-29/32	B Closed	4-7/16	N/A	3.92
C Open	5		4.69	5.37					C Open			4.02
									A Open			4.55
									B Closed	4-15/16	N/A	4.42
									C Open			4.49

FEATURES/BENEFITS PAGE B14-2	SPECIFICATIONS PAGE B14-5	HOW TO ORDER/NOMENCLATURE PAGE B14-8	SELECTION PAGE B14-14
---------------------------------	------------------------------	---	--------------------------



DIMENSIONS

ISN End Cap



PILLOW BLOCK

Shaft Size (mm)	End Cover P/N	Description	"A" Dimension
30	069960	IPEC08	49.5
35	069960	IPEC08	49.5
40	069961	IPEC09	55
45	069962	IPEC10	58.3
50	069962	IPEC10	58.3
55	069963	IPEC11	61.7
60	069964	IPEC13	66.3
65	069965	IPEC15	70
70	069965	IPEC15	70
75	069965	IPEC15	70
80	069966	S2IPEC18	78.3
85	069966	S2IPEC18	78.3
90	069967	S2IPEC20	91.2
100	069967	S2IPEC20	91.2
110	069968	S2IPEC22	97.7
115	069969	S2IPEC26	111.4
125	069969	S2IPEC26	111.4

CONTENTS



UNIFIED™ SAF

Features / Benefits	
DODGE UNIFIED SAF and SDAF Pillow Blocks	B15-3
DODGE UNIFIED SAF with SPLIT-SPHER Bearing	B15-5
SAFS	B15-6
SAF-XT Spherical Roller Bearings	B15-6
Specification	B15-7
How To Order	B15-7
Nomenclature	B15-8
Selection	B15-13
Selection/Dimensions	
USAF 500	B15-26
USAF SMART	B15-54
SAF-XT and SAFS	B15-56
SPLIT-SPHER™	B15-72
USDAF	B15-82
USAF 600	B15-94
USAF 200	B15-100
USAF 300	B15-112
USAF Stabilizing Ring	B15-125
USAF Housing Features	B15-126
USAF Housing vs Seal Group Chart	B15-130
DODGE Cool Lube 2 System	B15-131
Part Number Index	INDEX-1
Key Word Index	KEYWORD-1

Bearing Reference Guide

E-Family Roller Bearings

Specialty Tapered Products

S-2000

UNISPHERE II

IMPERIAL

UNIFIED SAF



CONTENTS

Bearing Reference
Guide

E-Family Roller
Bearings

Specialty Tapered
Products

S-2000

UNISPHERE II

IMPERIAL

UNIFIED SAF



FEATURES/BENEFITS

DODGE UNIFIED SAF and SDAF Pillow Blocks

BEARINGS

Spherical Roller Bearing - 22200, 22300, 23000, 23100 and 23200, tapered bore for adapter mount and straight bore for direct mount.

SPLIT-SPHER Bearing

Complete split replacement for an adapter mounted 22200. Compatible with UNIFIED SAF. Available in inch bores.

SHAFT SIZES

Available for shaft sizes 1-7/16" - 15-3/4" and 40 mm-140 mm in adapter mount. Additional sizes offered in direct mount. Pillow blocks are available in 200, 300, 500 and 600 series.

DIMENSIONS

UNIFIED SAF and SDAF pillow blocks match standard SAF and SDAF inch dimensions.

PLUS YOU GET BUILT-IN DESIGN ADVANCEMENTS

With DODGE UNIFIED SAF and SDAF pillow blocks, you benefit from a housing that has capabilities for harsh environments that competitive pillow blocks do not have.



VIRTUALLY EVERY FEATURE YOU EVER WANTED IN YOUR PILLOW BLOCK

- Cast-in dimples locate drill holes for lube fittings, vents, sensors and mounting modifications.
- Housing base is threaded to accept four Grade 5 cap bolts for added strength. Cap bolts match base bolts for one-wrench installation.
- Standard housings have two oversized drains adaptable to circulating oil systems.
- Pry slots allow easy separation of the pillow block.

NOTE: Instruction manuals for all Dodge bearings are available on www.dodge-pt.com



FEATURES/BENEFITS

DODGE UNIFIED SAF and SDAF Pillow Blocks



Cast iron, closed-end housings offer greater protection in high pressure washdown environments. Available from stock.



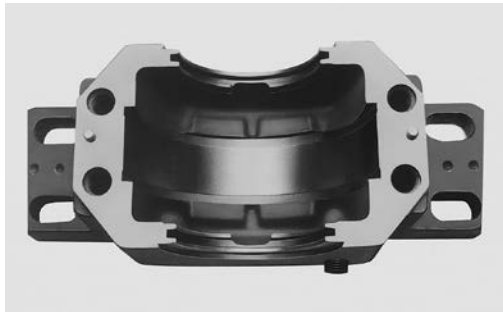
Standard modifications for wet and harsh environments include nylon coating, epoxy paints and nickel plating, as well as stainless steel hardware.



Solid cast iron feet increase strength in both two and four-bolt styles.



New drop-in TRIPLE-TECT Seal makes seal installation easier



Large capacity oil sump lowers operating temperatures, undercut bearing seat allows full lateral travel of expansion bearing, prevents stabilizer ring from binding, makes installation easy.



Exclusive oil-equalization passage simplifies maintenance. Pillow block can be drained completely from either side.



Oil return slots are cast into the interior seal grooves to keep lubricants in. This allows oil in the seal grooves to return to the oil sump instead of leaking.



Offset dowels with matched numbers on cap and base joint simplify correct assembly.

Bearing Reference Guide

E-Family Roller Bearings

Specialty Tapered Products

S-2000

UNISPHERE II

IMPERIAL

UNIFIED SAF



FEATURES/BENEFITS

DODGE UNIFIED SAF with SPLIT-SPHER Bearing

SPLIT-SPHER BEARINGS FROM DODGE INCREASE PRODUCTION AND REDUCE DOWNTIME

The SPLIT-SPHER bearing is quick to install. Simplified bearing installation puts equipment back into operation faster and keeps production moving.

HERE'S WHY!

DODGE offers a split-race spherical bearing that fits SAF housings and replaces bearing and adapter assemblies. It's a real cost-saver in every case where the shaft must be stripped of components to permit sliding the new bearing onto its proper shaft location.

DIMENSIONS ARE STANDARD.

The DODGE SPLIT-SPHER bearing has the same O.D. dimensions as a standard spherical bearing. This means you can use a SPLIT-SPHER pillow block on the inaccessible end of a shaft and a standard pillow block on the accessible end. DODGE offers the only split-race bearings made to standard SAF pillow block dimensions.

Also, if needed, the backing dimension of the SPLIT-SPHER block can be increased by shimming to meet the requirements of any roller bearing it replaces.

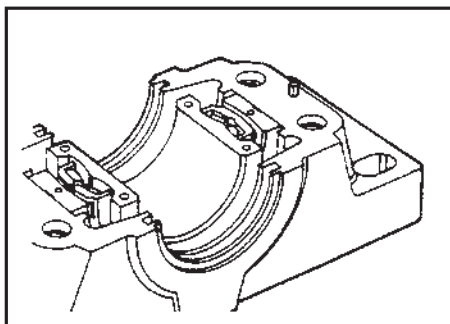
REDUCE REPLACEMENT TIME UP TO 50%.

To replace a standard spherical roller bearing with a SPLIT-SPHER insert, remove the cap, elevate the shaft enough to support the load and burn off the failed bearing and adapter with a torch.

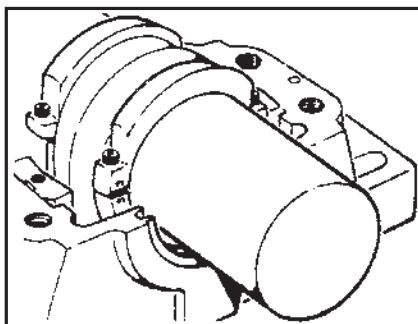
The DODGE SPLIT-SPHER replacement lower halves can then be slipped under the shaft, along with the split seals. Bolt the upper halves in place, lower the shaft and replace the cap. There's no need to remove any other shaft-mounted components or move motors and other bulky machinery.



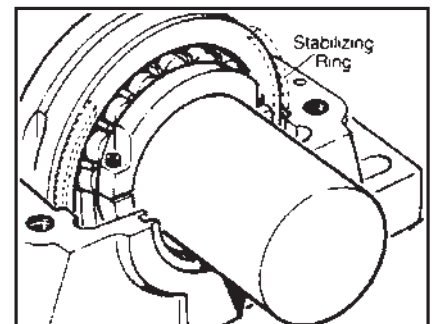
The SPLIT-SPHER insert is easy to install!



1. Slightly elevate shaft, cut off old bearing and slip lower halves of SPLIT-SPHER rings and roller assembly beneath shaft



2. Bolt upper half of inner ring to lower half



3. Place upper half of roller assembly in position and bolt on upper half of outer ring. Lower shaft and replace housing cap.

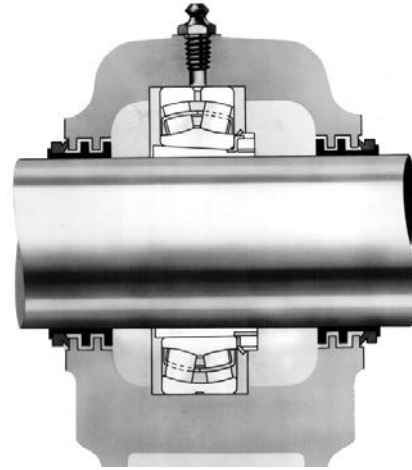


FEATURES/BENEFITS

SAF-XT Spherical Roller Bearings



The SAF-XT Pillow Block Housing is designed for typical SAF dimensional interchangeability, complete with such desirable features as 4-bolt caps, cap removal pry slots, elongated bolt holes, and dimpled feet for doweling. In addition to these features the SAF-XT housing also incorporates a better grease purging/sealing system for extra protection of the bearing in a hostile environment.



The SAF-XT pillow block has only one grease fitting. Bearings with costly, comparably effective auxiliary seals have up to three grease fittings. The single fitting speeds up lubrication, reduces chance for voids. Complete fill, bearing action, and configuration of reservoir assure maximum purging effectiveness. Grease relief channels result in self-centering positive contact seal. These factors make SAF-XT blocks easy to lubricate.

SAFS



DODGE SAFS cast steel pillow blocks mount 22200K series spherical roller bearings on 2-7/16" - 8" shafts.

These pillow blocks are well suited for applications requiring either grease or oil lubrication where adapter mounting is preferred and limited thrust loads are experienced. Cast steel housings provide greater resistance to impact and shock loading than the more economical cast iron pillow blocks. (SPLIT-SPHER

bearing and seals may also be installed in SAFS housings. See page B15-76 through B15-81 .)

SAFS pillow blocks are furnished complete with the TRIPLE-TECT combination labyrinth and face rubbing seals. LER triple ring seals are available as an alternate seal for SAFS pillow blocks. Where required, purgeable auxiliary seals and end closures are also available.



SPECIFICATION

Housing

Grade 30 cast iron is the standard housing material except on SAFS housings. When steel housings are required, the SAFS bearing line is recommended.

SPECIAL DRILLING

The standard offering includes a W33 lube hole and fitting, along with a cap vent hole. UNIFIED Bearings also come standard with dual oversized drain holes in the base. Additional holes may be drilled to meet customer specifications for lube, vent and sensor locations. To order, specify holes required from chart on page B15-126 and add to the end of the description. Order by description instead of part number. Minimum order quantities will be required for this special drilling.

SPECIAL FINISHES

A variety of finishes are available for extra corrosion resistance. The standard finish is a water based U.S.D.A. approved paint. When special finishes are specified,

DODGE recommends the use of stainless steel cap bolts and grease fittings. To order, specify the “type of finish” required and “stainless bolts and fittings” at the end of the description. Order by description for special finishes.

BEARINGS

Standard bearings offered are 22200 and 22300 series metal caged, double row, spherical bearings with C3 fits in both direct and adapter mounts (shaft sizes larger than 8” are standard with C0 fit). Other double row spherical bearing series are available on request including 23000 and 23200 in both direct and adapter mount. Self aligning ball bearing series 1200, 1300 and 2200 in both adapter and direct mount are available on request. To order, specify bearing “series” or “fit” at the end of the description.

For applications requiring modifications not listed, we encourage you to contact our Application Engineering Department for Bearings at 864-284-5700 during the hours of 8:00 a.m. and 5:00 p.m. Eastern time.

HOW TO ORDER

Inch

DODGE UNIFIED Spherical Bearings are housed and sealed general purpose, high capacity double row spherical roller bearings. Bearings may be mounted on shafts with adapters, or they may be mounted directly, using interference fits.

The standard material used in housings is ASTM A48 Class 30 Cast iron. Steel versions are also available in the SAFS line on page B15-61 Housings may be modified to suit customer requirements for mounting, venting, lubricating or monitoring of the bearing. Housing designs are available for performance in extreme harsh environments through the use of cast closed ends, nylon coating and stainless steel hardware.

A wide variety of standard seals is available including labyrinth and rubbing seals and combinations of the two. DODGE TRIPLE-TECT and Drop-in TRIPLE-TECT seals are recommended for general purpose applications

because of their superior combination sealing action. More information on seals is shown on page B15-19.

Locking devices, including tapered adapters and locking washers and nuts, are available to accommodate both commercial and precision machined shafting.

How to Order Dodge UNIFIED Bearings

There are two ways to specify DODGE Bearings. Most of the product offering have part numbers, with listings shown throughout this catalog. Use of part numbers insures accurate order processing.

When part numbers are not shown, the product may be specified by description. This method is used when ordering units that include modifications/options. To order by description, use the nomenclature key shown on page B15-8 and add any special instructions to the end of the description for options not covered by the nomenclature.

FEATURES/BENEFITS PAGE B15-3	HOW TO ORDER/NOMENCLATURE PAGE B15-7	SELECTION PAGE B15-13	SELECTION/DIMENSIONS PAGE B15-26
---------------------------------	---	--------------------------	-------------------------------------



NOMENCLATURE

Complete Pillow Block - Inch

Bearing Reference Guide

E-Family Roller Bearings

Specialty Tapered Products

S-2000

UNISPHERE II

IMPERIAL

UNIFIED SAF

P2B - 515 - USAF - 207 - TT

HOUSING STYLE	BEARING SERIES AND HOUSING SIZE	TYPE OF MOUNTED BEARING	SIZE INCHES	SEAL TYPE
P2B - 2 Bolt Base Pillow Block, Cast Iron, Both Ends Open	2XX - For Direct Mount 22200 Series Bearing	UNIFIED SAF Pillow Block (Inch Dimensions)	207 - Inches & 16ths	TT - TRIPLE-TECT
P4B - 4 Bolt Base Pillow Block, Cast Iron, Both Ends Open	3XX - For Direct Mount 22300 Series Bearing	UNIFIED SDAF Pillow Block	2 = 2"	LER - Metal Labyrinth
CP2B - 2 Bolt Base Pillow Block, Cast Iron, One End Closed	5XX - For Adapter Mounted 22200K Series Bearing	SPLIT-SPHER Pillow Block	07 = 7/16"	SS - Split Non-Metallic Labyrinth
CP4B - 4 Bolt Base Pillow Block, Cast Iron, One End Closed	6XX - For Adapter Mounted 22300K Series Bearing		107 = 1-7/16"	TTDN - Drop-In TRIPLE-TECT
	0XX - For Adapter Mounted 23000K Series Bearing		111 = 1-11/16"	AUX - Auxiliary (Taconite)
			115 = 1-15/16"	EC - End Closure
			203 = 2-3/16"	
			207 = 2-7/16"	
			208 = 2-1/2"	
			211 = 2-11/16"	
			212 = 2-3/4"	
			215 = 2-15/16"	
			300 = 3"	
			303 = 3-3/16"	
			307 = 3-7/16"	
			308 = 3-1/2"	
			315 = 3-15/16"	
			400 = 4"	
			403 = 4-3/16"	
			407 = 4-7/16"	
			408 = 4-1/2"	
			415 = 4-15/16"	
			500 = 5"	
			503 = 5-3/16"	
			507 = 5-7/16"	
			508 = 5-1/2"	
			515 = 5-15/16"	
			600 = 6"	
			607 = 6-7/16"	
			608 = 6-1/2"	
			615 = 6-15/16"	
			700 = 7"	
			703 = 7-3/16"	
			708 = 7-1/2"	
			715 = 7-15/16"	
			800 = 8"	
			807 = 8-7/16"	
			808 = 8-1/2"	
			815 = 8-15/16"	
			900 = 9"	
			907 = 9-7/16"	
			908 = 9-1/2"	
			915 = 9-15/16"	
			1000 = 10"	
			1007 = 10-7/16"	
			1008 = 10-1/2"	

For monitor equipped pillow blocks a C preceding the pillow block designation indicates closed ends

FEATURES/BENEFITS PAGE B15-3	SPECIFICATION PAGE B15-7	SELECTION PAGE B15-13	SELECTION/DIMENSIONS PAGE B15-26
---------------------------------	-----------------------------	--------------------------	-------------------------------------

NOMENCLATURE



Housing Only (Housing and Stab Ring) Inch

H4S - 515 - USAF

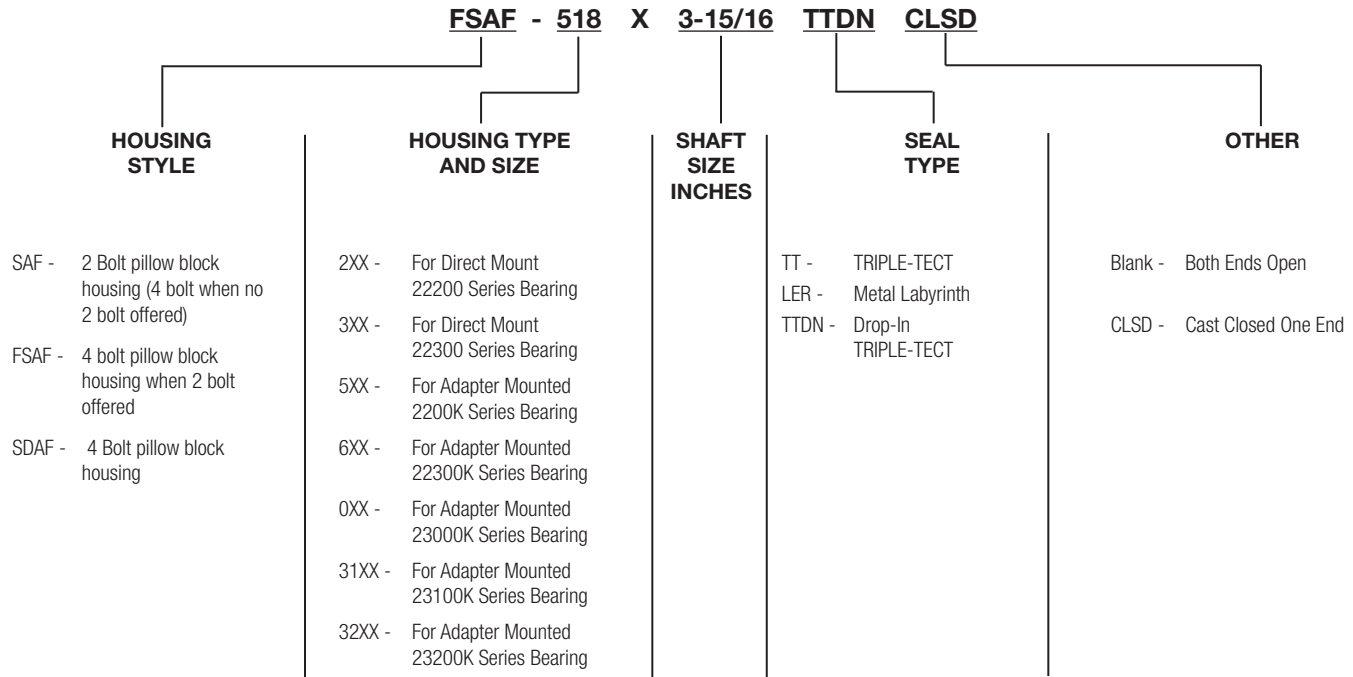


FEATURES/BENEFITS PAGE B15-3	SPECIFICATION PAGE B15-7	SELECTION PAGE B15-13	SELECTION/DIMENSIONS PAGE B15-26
---------------------------------	-----------------------------	--------------------------	-------------------------------------

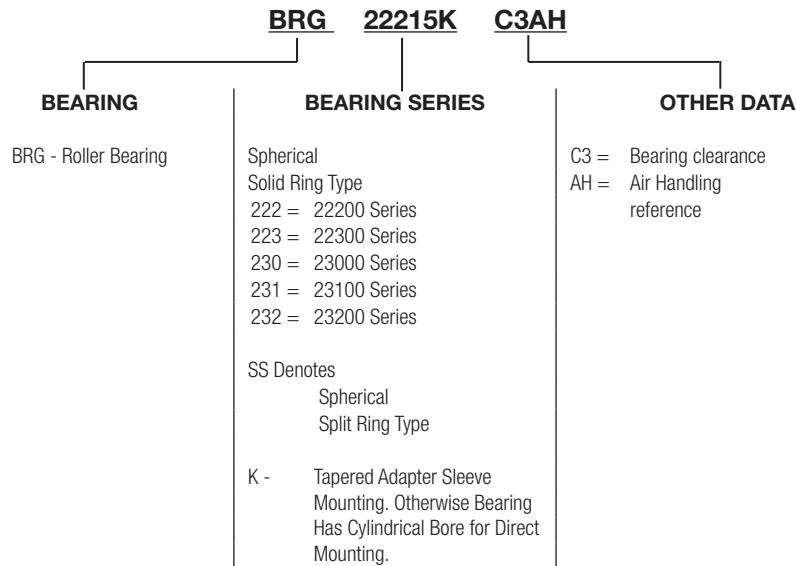


NOMENCLATURE

Housing Assembly (Housing and Stab Ring and Seals) - Inch



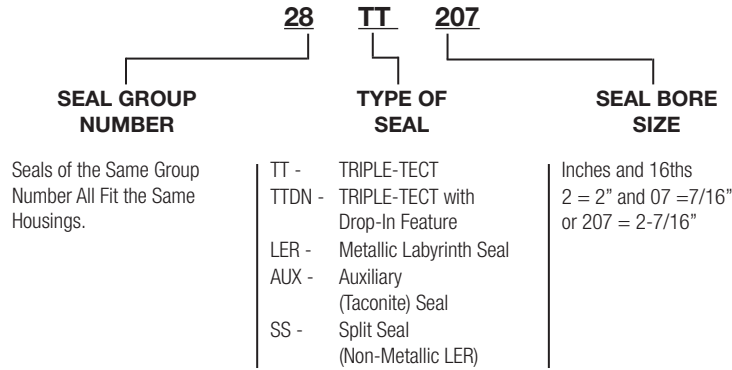
Bearing



NOMENCLATURE



Seals - Inch



Seal Group Number & Shaft Size	Fits Housing Sizes	Seal Group Number & Shaft Size	Fits Housing Sizes	Seal Group Number & Shaft Size	Fits Housing Sizes
08-107	308, 509 & 609	50-315	522 & 622	78-715	544
10-111	309, 510 & 610	50-400	522 & 622	78-800	544
12-114	310	52-403	222, 322, 524 & 624	80-805	244
12-115	308, 511 & 611	54-407	526 & 626	80-806	238 & 338
14-201	311	54-408	220, 320, 526 & 626	82-812	240
14-202	309	54-409	224 & 324	84-907	052
14-203	513 & 613	56-414	222 & 322	84-908	052
14-204	312	56-415	226, 326, 528 & 628	84-909	244
18-206	310	56-500	528 & 628	90-807	048
20-207	515 & 615	58-503	530 & 630	90-808	048
20-208	515 & 615	58-505	224, 324, 228 & 328	90-815	048
22-207	313	60-507	532 & 632	90-900	048
22-209	311	60-508	532 & 632	92-915	056
22-210	314	62-512	230 & 330	92-1000	056
24-211	516 & 616	62-514	226 & 236	94-1007	056L
24-212	516 & 616	64-515	534 & 634	94-1008	056L
24-213	215 & 315	64-600	534 & 634	96-1015	060, 3160, 3260
26-214	312	64-601	232 & 332	96-1100	060, 3160, 3260
28-215	517 & 617	66-604	228 & 328	98-1107	064
28-300	216, 316, 517 & 617	68-607	234, 334 & 536	98-1108	064
28-301	313	68-608	536	100-1115	064L, 3164, 3264
32-303	217 & 317	70-610	230 & 330	100-1200	064L, 3164, 3264
32-304	314	72-614	236	102-1207	068, 168, 268
34-303	518	72-615	538 & 638	104-1215	072
36-306	218	72-700	232, 332, 538 & 638	104-1300	072
38-307	215 & 315	74-703	540	106-1307	072L, 3172
38-310	216 & 316	74-704	238 & 338	106-1308	072L, 3172
42-315	217 & 317	76-707	234 & 334	108-1315	076, 3176
44-402	218	76-708	544S	108-1400	076, 3176
46-307	520 & 620	76-710	240	110-1500	80
46-308	520 & 620	78-713	236	112-1512	84
50-313	220 & 320				

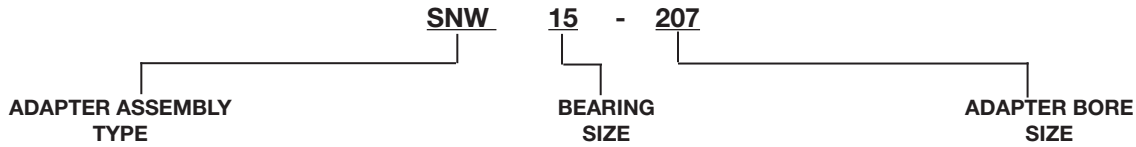
FEATURES/BENEFITS PAGE B15-3	SPECIFICATION PAGE B15-7	SELECTION PAGE B15-13	SELECTION/DIMENSIONS PAGE B15-26
---------------------------------	-----------------------------	--------------------------	-------------------------------------

Bearing Reference Guide
 E-Family Roller Bearings
 Specialty Tapered Products
 S-2000
 UNISPHERE II
 IMPERIAL
 UNIFIED SAF



NOMENCLATURE

Adapter Assemblies - Inch



SNW = Sleeve, Nut and Washer Assembly thru 44 (8 inch) Size

SNP = Sleeve, Nut and Lockplate Assembly 048 (8-7/16") and Larger Sizes

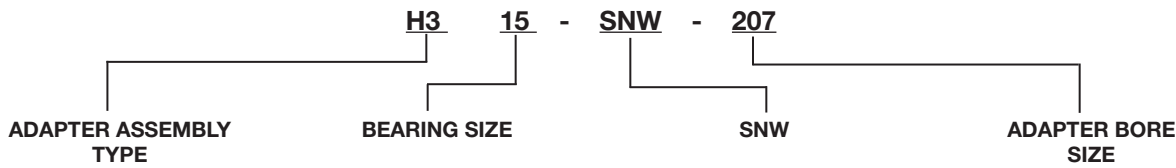
Up to 8" shaft size last two digits of bearing numerical description.

For larger sizes last four digits.

Inches and 16ths

2 = 2" and 07 = 7/16" or 207 = 2-7/16"

See size listing page B15-10



H3 Adapter Series for 22200K Series Bearings thru 4" Bore Size

H31 Adapter Series for 22200K & 23100K Series Bearings Greater Than 4"

H23 Adapter Series for 22300K Series Bearings

H32 Adapter Series for 23200K Series Bearings

Last two digits of bearing numerical description.

SNW = Sleeve, Nut and Washer Assembly thru 544 (8") Size

SNP = Sleeve Nut and Plate Assembly from 048 thru 084, 3156 thru 3176, & 3252 thru 3268

Inches and 16ths

2 = 2" and 07 = 7/16" or 207 = 2-7/16"

See size listing page B15-10



SELECTION

UNIFIED Pillow Block - Spherical Roller Bearings

(USAF 500, 600, 200, 300 SERIES AND USDAF 23000, 23100, 23200)

DODGE UNIFIED Spherical Roller Bearings have the capacity to carry heavy radial loads and combined radial and thrust loads. The maximum recommended load which can be applied is limited by various components in the system such as bearing, housing, shaft, shaft attachment, speed and life requirements as listed in this catalog. DODGE UNIFIED Spherical Roller Bearings have been applied successfully even when these limits have been exceeded under controlled operating conditions. Contact DODGE Application Engineering (864-284-5700) for applications which exceed the recommendations of this catalog.

L₁₀ Hours Life - The life which may be expected from at least 90% of a given group of bearings operating under identical conditions.

$$L_{10} \text{ Life, Hours} = \left(\frac{C}{P}\right)^{10/3} \times \left(\frac{16667}{\text{RPM}}\right)$$

Where: C = Dynamic Capacity
(Table 1, page B15-15 for USAF) lbs.

P = Equivalent Radial Load, lbs.

GENERAL

Heavy Service - For heavy shock loads, frequent shock loads, or severe vibrations, add up to 50% (according to severity of conditions) to the Equivalent Radial Load to obtain a Modified Equivalent Radial Load. Consult DODGE Application Engineering for additional selection assistance.

Thrust load values shown in the table below are recommended as a guide for general applications that will give adequate L₁₀ life. Where substantial radial loads are also present, it is advisable to calculate actual L₁₀ life to assure that it meets the requirements.

RPM	20-200	201-2000	Over 2000
RECOMMENDED THRUST LOAD	C/20	C/40	C/60

The shaft tolerances recommended below are adequate for adaptor mounted bearings. Since the allowable load, especially at a low speed, is very large, the shaft should be checked to assure adequate shaft strength.

The magnitude and direction of both the thrust and radial load must be taken into account when selecting a housing. **When pillow blocks are utilized, heavy loads should be directed through the base. Where uplift loads are involved, see B15-24 and for maximum values.** Where a load pulls the housing away from the mounting base, both the hold-down bolts and housing must be of adequate strength. Auxiliary load carrying devices such as shear bars are advisable for side or end loading of plummer blocks.

NOTE: Spherical bearings require a radial load at least equal to the thrust load for proper operation ($F_a/F_R = 1$). If the thrust load exceeds this limit, consult Application Engineering.

SHAFT TOLERANCES

Shaft Size	Shaft Tolerance, Inches
Up To 1-1/2"	+0.000 -0.002"
1-9/16 to 2-1/2"	+0.000 -0.003"
2-5/8 to 4"	+0.000 -0.004"
4-3/16 to 6"	+0.000 -0.005"
6-7/16" and above	+0.000 -0.006"

* Use the smaller of this value or the adaptor maximum allowable thrust load list in Table 1.

SELECTING BEARING SUPPORTING RADIAL LOADS ONLY

1. Define L₁₀ Life Hours desired.
2. Establish bearing radial load, F_R
F_R = P for Pure Radial Load Conditions
P = Equivalent radial load, lbs
The DODGE program BEST™★ can be used to find application loads.
3. Establish RPM.

Using the easy selection Table 2, page B15-16, under the RPM column, find the equivalent radial load that equals or is higher than the application radial load for the desired life. The shaft size on the far left will be the minimum shaft size that you can use for your application. If the desired life is different than the values shown on the chart, use alternate Method A shown below.

★ The DODGE Bearing Evaluation and Selection Technique (BEST) is a menu driven computer program that calculates bearing loads, fatigue life and operating temperature for a two bearing shaft system based on user supplied input parameters. This interactive program is available at www.ptwizard.com under the Product Section area.

FEATURES/BENEFITS PAGE B15-3	SPECIFICATION/HOW TO ORDER PAGE B15-7	NOMENCLATURE PAGE B15-8	SELECTION/DIMENSIONS PAGE B15-26
---------------------------------	--	----------------------------	-------------------------------------



SELECTION

UNIFIED Pillow Block - Spherical Roller Bearings

- Example: 1. L_{10} Life = 30,000 Hours
 2. Radial load = 4000 lbs.
 3. RPM = 1,000

At the intersection of the 950 RPM column and the 30,000 hours L_{10} life row, the equivalent radial load of 4555 lbs. exceeds the 4000 lbs. application radial load for shaft size 1-7/16 adapter mount (22309K series bearing) and for shaft size 45 mm direct mount (22309 series bearing). Also, the equivalent radial load of 4877 lbs. exceeds the 4000 lbs. application radial load for shaft size 2-3/16" adapter mount (22213K series bearing) and for shaft size 65mm direct mount (22213 series bearing). Therefore, the follow bearings can be used to meet the application conditions of the above example:

- | | |
|--------------------------|----------------|
| 1. 1-7/16" adapter mount | 22309K bearing |
| 2. 45 mm direct mount | 22309 bearing |
| | OR |
| 3. 2-3/16" adapter mount | 22213K bearing |
| 4. 65 mm direct mount | 22213 bearing |

ALTERNATE METHOD A - SELECTING A BEARING FOR AN L_{10} LIFE VALUE NOT SHOWN IN THE EASY SELECTION CHART.

The L_{10} life equation can be rearranged so that the bearing dynamic capacity **C** is identified in terms of L_{10} , RPM and P

$$C = \left(\frac{L_{10} \times \text{RPM}}{16667} \right)^{0.3} \times P$$

(P = F_R for Pure Radial Load Conditions)

Since the L_{10} , RPM and P are known, solve for **C**. Select from the dynamic capacity column on Table 1, page B15-15 the **C** value equal to or greater than the **C** value just calculated. The bore size on the far left represents the minimum shaft size selection. Check that the application RPM does not exceed the MAX. RPM on Table 1, page B15-15. Also check that the radial load does not exceed the Maximum Allowable Slip Fit Radial Load shown on Table 1. When selecting an L_{10} life of less than 30,000 hours, particular attention must be paid to shaft deflection and proper lubricant selection.

SELECTING BEARINGS SUPPORTING COMBINATION RADIAL AND THRUST LOADS

When a bearing supports both a radial load and a thrust load, the loading on the two rows is shared unequally depending on the ratio of thrust to radial load. The use of the X (radial factor) and Y (thrust factor) from Table 1, page B15-15 converts the applied thrust load and radial loads to an equivalent radial load having the same effect on the life of the bearing as a radial load of this magnitude.

Equation 1

The equivalent radial load $P = XF_R + YF_A$

Where:

- P = Equivalent radial load, lbs.
- F_R = Radial load, lbs.
- F_A = Thrust (axial) load, lbs.
- e = Thrust load to radial load factor (Table 1)★
- X = Radial load factor (Table 1)★
- Y = Thrust load factor (Table 1)★

Calculate F_A/F_R and compare to e for the selected bore size. Determine X and Y from Table 1 depending on whether F_A/F_R is equal to or less than e, or F_A/F_R is greater than e. Substitute all known values into the equivalent radial load equation. P (equivalent radial load) can be used in the life formula to determine L_{10} life in hours, or it can be compared to the allowable equivalent radial load ratings for the speed and hours life desired in the easy selection.

SELECTING BEARINGS SUPPORTING ONLY THRUST LOADS

Spherical Roller Bearings generally are not recommended for pure thrust load applications. They will perform satisfactorily under very light pure thrust loads. Consult DODGE Application Engineering (864-284-5700) during the hours of 8:00 a.m. and 5:00 p.m. Eastern Time.

AXIAL EXPANSION CAPABILITY

Axial expansion capability for UNIFIED SAF 500, 600, 200 and 300 pillow blocks is shown on B15-25. DODGE supplies all UNIFIED pillow block housings with the appropriate stabilizing ring. When the stabilizing ring is used, the pillow block becomes a non-expansion pillow block. Not using the stabilizing ring allows shaft and bearing axial expansion. Proper mounting of the stabilizing ring is shown on housing dimension pages.



SELECTION

UNIFIED Pillow Block - Spherical Roller Bearings

Table 1: Radial & Thrust Factors For USAF Spherical Bearings

Shaft Size		Bearing Series	e	$F_R/F_R \leq e$		$F_R/F_R > e$		Adapter Maximum Allowable Thrust Load Pound †	Dynamic Capacity (C) Pounds	Static Capacity (Co) Lbs.	Maximum RPM	
Adapter Mounted Inches	Direct Mount mm			X	Y	X	Y				Grease	Oil
-	40	22308	.36	1	1.9	0.67	2.8	-	35,500	33,500	4300	5300
1-7/16	---	22209	.26	1	2.6	0.67	3.9	698	24,500	23,600	5600	7000
	45	22309	.36	1	1.9	0.67	2.8	1092	42,500	41,500	3800	4800
1-11/16	---	22210	.24	1	2.8	0.67	4.2	775	26,000	26,500	5300	6700
	50	22310	.36	1	1.9	0.67	2.8	1348	51,000	50,000	3400	4300
1-15/16	---	22211	.23	1	2.9	0.67	4.4	927	31,500	32,500	4500	5600
	55	22311	.36	1	1.9	0.67	2.8	1672	60,000	58,500	3200	4000
	60	22312	.35	1	1.9	0.67	3	-	69,500	69,500	2800	3600
2-3/16	---	22213	.24	1	2.8	0.67	4.2	1359	45,500	47,500	3800	4500
	65	22313	.34	1	2	0.67	3	2104	78,000	81,500	2600	3400
	70	22314	.34	1	2	0.67	3	-	86,500	86,500	2400	3200
2-7/16	75	22215	.22	1	3.1	0.67	4.6	1568	48,000	53,000	3400	4300
2-1/2		22315	.34	1	2	0.67	3	2782	100,000	102,000	2200	3000
2-11/16	80	22216	.22	1	3.1	0.67	4.7	1780	56,000	60,000	3200	4000
2-3/4		22316	.34	1	2	0.67	3	3128	112,000	114,000	2200	3000
2-15/16	85	22217	.22	1	3.1	0.67	4.5	2063	68,000	73,500	3000	3800
3		22317	.33	1	2	0.67	3	3438	122,000	125,000	2000	2800
3-3/16	90	22218	.23	1	2.9	0.67	4.3	2429	78,000	85,000	2600	3400
3-7/16	100	22220	.24	1	2.8	0.67	4.2	3102	96,500	106,000	2200	3000
3-1/2		22320	.34	1	2	0.67	3	4920	183,000	208,000	1700	2200
3-15/16	110	22222	.25	1	2.7	0.67	4	3931	122,000	134,000	2000	2800
4		22322	.33	1	2.1	0.67	3.1	5934	212,000	240,000	1500	1900
4-3/16	120	22224	.25	1	2.7	0.67	4	4693	143,000	166,000	1900	2400
		22324	.33	1	2.1	0.67	3.1	6959	240,000	265,000	1400	1800
4-7/16	130	22226	.26	1	2.6	0.67	3.9	5610	170,000	200,000	1800	2200
4-1/2		22326	.33	1	2.1	0.67	3.1	8152	280,000	310,000	1300	1700
4-15/16	140	22228	.25	1	2.7	0.67	4	6419	196,000	236,000	1700	2200
5		22328	.34	1	2	0.67	3	9628	325,000	365,000	1200	1600
5-3/16	150	22230	.25	1	2.7	0.67	4	7383	228,000	275,000	1600	2000
		22330	.33	1	2	0.67	3	10923	365,000	415,000	1100	1500
5-7/16	160	22232	.26	1	2.6	0.67	3.9	8630	260,000	315,000	1500	1800
5-1/2		22332	.37	1	1.8	0.67	2.7	12298	325,000	365,000	1000	1400
5-15/16	170	22234	.26	1	2.6	0.67	3.9	9858	309,000	355,000	1300	1700
6		22334	.37	1	1.8	0.67	2.7	13755	360,000	475,000	950	1300
6-7/16	180	22236	.25	1	2.7	0.67	4	10437	305,000	375,000	1300	1600
6-1/2		22336	.37	1	1.8	0.67	2.7	15291	405,000	475,000	900	1100
6-15/16	190	22238	.28	1	2.4	0.67	3.6	11786	270,000	415,000	1200	1300
7		22338	.37	1	1.8	0.67	2.7	16910	415,000	570,000	850	1100
7-3/16	200	22240	.29	1	2.3	0.67	3.5	13215	300,000	450,000	1100	1200
7-1/2	220	22244	.29	1	2.3	0.67	3.5	16020	365,000	550,000	950	1000
7-15/16				1								
8-7/16	-	23048	.25	1	2.7	0.67	4.1	14887	260,000	490,000	950	1000
8-1/2				1								
8-15/16, 9	-	23052	.26	1	2.6	0.67	3.9	18232	340,000	630,000	900	950
9-7/16				1								
9-15/16, 10	-	23056	.25	1	2.7	0.67	4.1	20000	345,000	670,000	850	900
10-7/16				1								
10-1/2				1								

If the thrust load exceeds adapter maximum allowable thrust load, auxiliary methods of carrying thrust are required.

FEATURES/BENEFITS PAGE B15-3	SPECIFICATION/HOW TO ORDER PAGE B15-7	NOMENCLATURE PAGE B15-8	SELECTION/DIMENSIONS PAGE B15-26
---------------------------------	--	----------------------------	-------------------------------------



SELECTION

UNIFIED Pillow Block - Spherical Roller Bearings

Table 2: Selection Table for UNIFIED SAF Pillow Blocks

Shaft Size		Bearing Series	L ₁₀ Life Hours	Allowable Equivalent Radial Load Rating (Lbs.) at Various Revolutions Per Minute															
Adapter Mount (Inches)	Direct Mount (mm)			50	100	250	500	750	950	1,300	1,500	1,800	2,000	2,600	3,000	3,200	3,400	4500	5,600
-	40	22308	10,000	12,797	10,394	7,896	6,413	5,679	5,290	4,815	4,613	4,367	4,231	3,911	3,747	3,675	3,609	3,318	
			30,000	9,204	7,476	5,679	4,613	4,084	3,805	3,463	3,318	3,141	3,043	2,813	2,695	2,643	2,595	2,386	
			60,000	7,476	6,072	4,613	3,747	3,318	3,090	2,813	2,695	2,551	2,472	2,285	2,189	2,147	2,108	1,938	
1-7/16	-	22209	10,000	8,831	7,173	5,449	4,426	3,919	3,651	3,323	3,183	3,014	2,920	2,699	2,586	2,536	2,490	2,290	2,144
			30,000	6,352	5,159	3,919	3,183	2,819	2,626	2,390	2,290	2,168	2,100	1,941	1,860	1,824	1,791	1,647	1,542
			60,000	5,159	4,191	3,183	2,586	2,290	2,133	1,941	1,860	1,761	1,706	1,577	1,511	1,482	1,455	1,338	1,253
	45	22309	10,000	15,320	12,444	9,453	7,678	6,799	6,333	5,765	5,522	5,228	5,066	4,682	4,485	4,399	4,320	3,972	
			30,000	11,018	8,950	6,799	5,522	4,890	4,555	4,146	3,972	3,760	3,643	3,368	3,226	3,164	3,107	2,857	
			60,000	8,950	7,269	5,522	4,485	3,972	3,700	3,368	3,226	3,054	2,959	2,735	2,620	2,570	2,524	2,320	
1-11/16	-	22210	10,000	9,372	7,613	5,783	4,697	4,159	3,874	3,527	3,378	3,199	3,099	2,864	2,744	2,691	2,643	2,430	2,275
			30,000	6,741	5,475	4,159	3,378	2,991	2,787	2,536	2,430	2,300	2,229	2,060	1,974	1,936	1,901	1,748	1,637
			60,000	5,475	4,447	3,378	2,744	2,430	2,263	2,060	1,974	1,869	1,810	1,673	1,603	1,572	1,544	1,419	1,329
	50	22310	10,000	18,384	14,932	11,343	9,214	8,158	7,600	6,917	6,627	6,274	6,079	5,619	5,383	5,279	5,184		
			30,000	13,222	10,740	8,158	6,627	5,868	5,466	4,975	4,766	4,512	4,372	4,041	3,871	3,797	3,729		
			60,000	10,740	8,723	6,627	5,383	4,766	4,440	4,041	3,871	3,665	3,551	3,282	3,144	3,084	3,029		
1-15/16	-	22211	10,000	11,355	9,223	7,006	5,691	5,039	4,694	4,273	4,093	3,875	3,755	3,470	3,325	3,261	3,202	2,944	2,757
			30,000	8,167	6,633	5,039	4,093	3,624	3,376	3,073	2,944	2,787	2,700	2,496	2,391	2,345	2,303	2,117	1,983
			60,000	6,633	5,388	4,093	3,325	2,944	2,742	2,496	2,391	2,264	2,193	2,027	1,942	1,905	1,871	1,720	1,611
	55	22311	10,000	21,628	17,567	13,345	10,840	9,598	8,941	8,138	7,796	7,381	7,152	6,610	6,332	6,211	6,099		
			30,000	15,555	12,635	9,598	7,796	6,903	6,431	5,853	5,607	5,309	5,144	4,754	4,554	4,467	4,387		
			60,000	12,635	10,263	7,796	6,332	5,607	5,223	4,754	4,554	4,312	4,178	3,862	3,699	3,628	3,563		
-	60	22312	10,000	25,052	20,349	15,458	12,556	11,118	10,357	9,427	9,031	8,550	8,284	7,657	7,335	7,194	7,065		
			30,000	18,018	14,635	11,118	9,031	7,996	7,449	6,780	6,495	6,149	5,958	5,507	5,276	5,174	5,081		
			60,000	14,635	11,888	9,031	7,335	6,495	6,050	5,507	5,276	4,995	4,839	4,473	4,285	4,203	4,127		
2-3/16	-	22213	10,000	16,401	13,322	10,120	8,220	7,279	6,780	6,171	5,912	5,597	5,423	5,013	4,802	4,710	4,625	4,252	
			30,000	11,796	9,581	7,279	5,912	5,235	4,877	4,439	4,252	4,026	3,901	3,605	3,454	3,388	3,327	3,058	
			60,000	9,581	7,783	5,912	4,802	4,252	3,961	3,605	3,454	3,270	3,168	2,928	2,805	2,752	2,702	2,484	
	65	22313	10,000	28,116	22,838	17,349	14,092	12,478	11,623	10,580	10,135	9,596	9,297	8,593	8,232	8,074	7,929		
			30,000	20,222	16,425	12,478	10,135	8,974	8,360	7,609	7,289	6,901	6,687	6,180	5,921	5,807	5,703		
			60,000	16,425	13,342	10,135	8,232	7,289	6,790	6,180	5,921	5,606	5,431	5,020	4,809	4,717	4,632		
-	70	22314	10,000	31,180	25,326	19,239	15,627	13,837	12,890	11,732	11,239	10,641	10,310	9,530	9,129	8,954			
			30,000	22,426	18,215	13,837	11,239	9,952	9,271	8,438	8,084	7,653	7,415	6,854	6,566	6,440			
			60,000	18,215	14,795	11,239	9,129	8,084	7,530	6,854	6,566	6,217	6,023	5,567	5,333	5,231			
2-7/16 2-1/2	75	22215	10,000	17,302	14,054	10,676	8,672	7,679	7,153	6,511	6,237	5,905	5,721	5,288	5,066	4,969	4,879		
			30,000	12,444	10,108	7,679	6,237	5,523	5,145	4,683	4,486	4,247	4,115	3,803	3,644	3,574	3,509		
			60,000	10,108	8,210	6,237	5,066	4,486	4,179	3,803	3,644	3,450	3,342	3,089	2,959	2,903	2,850		
	75	22315	10,000	36,047	29,279	22,242	18,066	15,997	14,902	13,564	12,994	12,302	11,919	11,017	10,554				
			30,000	25,926	21,058	15,997	12,994	11,505	10,718	9,755	9,345	8,848	8,573	7,924	7,591				
			60,000	21,058	17,105	12,994	10,554	9,345	8,706	7,924	7,591	7,187	6,963	6,436	6,166				
2-11/16 2-3/4	80	22216	10,000	20,186	16,396	12,456	10,117	8,958	8,345	7,596	7,276	6,889	6,675	6,170	5,910	5,797	5,692		
			30,000	14,518	11,793	8,958	7,276	6,443	6,002	5,463	5,233	4,955	4,801	4,437	4,251	4,169	4,094		
			60,000	11,793	9,579	7,276	5,910	5,233	4,875	4,437	4,251	4,025	3,899	3,604	3,453	3,387	3,325		
	80	22316	10,000	40,372	32,793	24,911	20,234	17,917	16,690	15,191	14,553	13,778	13,350	12,339	11,821				
			30,000	29,037	23,585	17,917	14,553	12,886	12,004	10,926	10,467	9,910	9,601	8,875	8,502				
			60,000	23,585	19,157	14,553	11,821	10,467	9,750	8,875	8,502	8,049	7,799	7,208	6,905				

Note: Dark Shaded Areas Require Circulating Oil
Light Shaded Areas Require Static Oil

FEATURES/BENEFITS PAGE B15-3	SPECIFICATION/HOW TO ORDER PAGE B15-7	NOMENCLATURE PAGE B15-8	SELECTION/DIMENSIONS PAGE B15-26
---------------------------------	--	----------------------------	-------------------------------------

Bearing Reference Guide
 E-Family Roller Bearings
 Specialty Tapered Products
 S-2000
 UNISPHERE II
 IMPERIAL
 UNIFIED SAF



SELECTION

UNIFIED Pillow Block - Spherical Roller Bearings

Table 2: Selection Table for UNIFIED SAF Pillow Blocks

Shaft Size		Bearing Series	L ₁₀ Life Hours	Allowable Equivalent Radial Load Rating (Lbs.) at Various Revolutions Per Minute															
Adapter Mount (Inches)	Direct Mount (mm)			50	100	250	500	750	950	1,300	1,500	1,800	2,000	2,600	3,000	3,200	3,400	4500	5,600
2 -15/16 3	85	22217	10,000	24,512	19,910	15,125	12,285	10,878	10,133	9,223	8,836	8,365	8,105	7,492	7,177	7,039	6,912		
			30,000	17,629	14,320	10,878	8,836	7,824	7,288	6,634	6,355	6,017	5,829	5,388	5,162	5,063	4,971		
			60,000	14,320	11,631	8,836	7,177	6,355	5,920	5,388	5,162	4,887	4,735	4,377	4,193	4,112	4,038		
	85	22317	10,000	43,977	35,720	27,135	22,041	19,516	18,180	16,548	15,852	15,008	14,541	13,441					
			30,000	31,629	25,691	19,516	15,852	14,037	13,076	11,901	11,401	10,794	10,459	9,667					
			60,000	25,691	20,868	15,852	12,876	11,401	10,621	9,667	9,261	8,768	8,495	7,852					
3-3/16	90	22218	10,000	28,116	22,838	17,349	14,092	12,478	11,623	10,580	10,135	9,596	9,297	8,593	8,232	8,074	7,929		
			30,000	20,222	16,425	12,478	10,135	8,974	8,360	7,609	7,289	6,901	6,687	6,180	5,921	5,807	5,703		
			60,000	16,425	13,342	10,135	8,232	7,289	6,790	6,180	5,921	5,606	5,431	5,020	4,809	4,717	4,632		
3-7/16 3-1/2	100	22220	10,000	34,785	28,254	21,464	17,434	15,437	14,380	13,089	12,539	11,871	11,502	10,631	10,185				
			30,000	25,018	20,321	15,437	12,539	11,103	10,343	9,414	9,018	8,538	8,273	7,646	7,325				
			60,000	20,321	16,506	12,539	10,185	9,018	8,401	7,646	7,325	6,935	6,719	6,211	5,950				
	100	22320	10,000	65,966	53,581	40,703	33,061	29,275	27,270	24,821	23,778	22,513	21,812						
			30,000	47,444	38,536	29,275	23,778	21,055	19,613	17,852	17,102	16,192	15,688						
			60,000	38,536	31,301	23,778	19,314	17,102	15,931	14,500	13,891	13,152	12,742						
3-15/16 4	110	22222	10,000	43,977	35,720	27,135	22,041	19,516	18,180	16,548	15,852	15,008	14,541	13,441					
			30,000	31,629	25,691	19,516	15,852	14,037	13,076	11,901	11,401	10,794	10,459	9,667					
			60,000	25,691	20,868	15,852	12,876	11,401	10,621	9,667	9,261	8,768	8,495	7,852					
	110	22322	10,000	76,419	62,072	47,153	38,300	33,914	31,592	28,755	27,546	26,080							
			30,000	54,962	44,643	33,914	27,546	24,391	22,722	20,681	19,812	18,758							
			60,000	44,643	36,262	27,546	22,375	19,812	18,456	16,798	16,092	15,236							
4-3/16	120	22224	10,000	51,547	41,869	31,806	25,835	22,876	21,310	19,396	18,581	17,592	17,045						
			30,000	37,074	30,113	22,876	18,581	16,453	15,326	13,950	13,364	12,652	12,259						
			60,000	30,113	24,460	18,581	15,092	13,364	12,449	11,331	10,855	10,277	9,957						
	120	22324	10,000	86,512	70,270	53,381	43,359	38,393	35,764	32,553	31,185	29,525							
			30,000	62,222	50,540	38,393	31,185	27,613	25,723	23,413	22,429	21,235							
			60,000	50,540	41,051	31,185	25,330	22,429	20,893	19,017	18,218	17,248							
4-7/16 4-1/2	130	22226	10,000	61,279	49,774	37,812	30,712	27,195	25,333	23,058	22,089	20,913	20,263						
			30,000	44,074	35,799	27,195	22,089	19,559	18,220	16,584	15,887	15,041	14,573						
			60,000	35,799	29,078	22,089	17,942	15,887	14,799	13,470	12,904	12,217	11,837						
	130	22326	10,000	100,931	81,981	62,278	50,585	44,792	41,725	37,978	36,382								
			30,000	72,592	58,963	44,792	36,382	32,215	30,010	27,315	26,167								
			60,000	58,963	47,893	36,382	29,551	26,167	24,375	22,186	21,254								
4-15/16 5	140	22228	10,000	70,652	57,387	43,594	35,410	31,354	29,208	26,585	25,467	24,112	23,362						
			30,000	50,814	41,274	31,354	25,467	22,551	21,007	19,120	18,317	17,342	16,802						
			60,000	41,274	33,525	25,467	20,686	18,317	17,063	15,530	14,878	14,086	13,648						
	140	22328	10,000	117,152	95,157	72,287	58,715	51,990	48,431	44,082	42,229								
			30,000	84,258	68,439	51,990	42,229	37,393	34,833	31,705	30,372								
			60,000	68,439	55,590	42,229	34,301	30,372	28,293	25,752	24,670								
5-3/16	150	22230	10,000	82,187	66,756	50,712	41,191	36,473	33,976	30,925	29,625	28,049	27,176						
			30,000	59,111	48,013	36,473	29,625	26,232	24,436	22,242	21,307	20,173	19,545						
			60,000	48,013	38,998	29,625	24,063	21,307	19,849	18,066	17,307	16,386	15,876						
	150	22330	10,000	131,571	106,869	81,184	65,942	58,389	54,392	49,507									
			30,000	94,629	76,862	58,389	47,427	41,995	39,120	35,607									
			60,000	76,862	62,432	47,427	38,522	34,110	31,775	28,922									

Note: Dark Shaded Areas Require Circulating Oil
Light Shaded Areas Require Static Oil

FEATURES/BENEFITS PAGE B15-3	SPECIFICATION/HOW TO ORDER PAGE B15-7	NOMENCLATURE PAGE B15-8	SELECTION/DIMENSIONS PAGE B15-26
---------------------------------	--	----------------------------	-------------------------------------



SELECTION

UNIFIED Pillow Block - Spherical Roller Bearings

Table 2: Selection Table for UNIFIED SAF Pillow Blocks

Shaft Size		Bearing Series	L ₁₀ Life Hours	Allowable Equivalent Radial Load Rating (Lbs.) at Various Revolutions Per Minute															
Adapter Mount (Inches)	Direct Mount (mm)			50	100	250	500	750	950	1,300	1,500	1,800	2,000	2,600	3,000	3,200	3,400	4500	5,600
5- 7/16 5-1/2	160	22232	10,000	93,722	76,126	57,829	46,972	41,592	38,745	35,265	33,783	31,985							
			30,000	67,407	54,751	41,592	33,783	29,914	27,866	25,364	24,298	23,004							
			60,000	54,751	44,472	33,783	27,441	24,298	22,634	20,602	19,736	18,685							
	160	22332	10,000	117,152	95,157	72,287	58,715	51,990	48,431	44,082									
			30,000	84,258	68,439	51,990	42,229	37,393	34,833	31,705									
			60,000	68,439	55,590	42,229	34,301	30,372	28,293	25,752									
5- 15/16 6	170	22234	10,000	108,140	87,837	66,726	54,199	47,991	44,706	40,691	38,981								
			30,000	77,777	63,175	47,991	38,981	34,516	32,153	29,266	28,036								
			60,000	63,175	51,314	38,981	31,662	28,036	26,117	23,771	22,772								
	170	22334	10,000	129,768	105,405	80,071	65,038	57,589	53,647	48,829									
			30,000	93,332	75,809	57,589	46,777	41,420	38,584	35,119									
			60,000	75,809	61,576	46,777	37,995	33,643	31,340	28,525									
6- 7/16 6-1/2	180	22236	10,000	109,943	89,301	67,838	55,102	48,791	45,451	41,369	39,631								
			30,000	79,073	64,227	48,791	39,631	35,092	32,689	29,753	28,503								
			60,000	64,227	52,169	39,631	32,190	28,503	26,552	24,167	23,152								
6- 15/16 7	190	22238	10,000	97,326	79,053	60,054	48,779	43,192	40,235	36,622									
			30,000	69,999	56,857	43,192	35,083	31,065	28,938	26,339									
			60,000	56,857	46,182	35,083	28,496	25,232	23,505	21,394									
	190	22338	10,000	149,594	121,508	92,305	74,975	66,388	61,843										
			30,000	107,591	87,391	66,388	53,923	47,747	44,479										
			60,000	87,391	70,984	53,923	43,799	38,783	36,128										
7-3/16	200	22240	10,000	108,140	87,837	66,726	54,199	47,991	44,706										
			30,000	77,777	63,175	47,991	38,981	34,516	32,153										
			60,000	63,175	51,314	38,981	31,662	28,036	26,117										
7- 1/2 7- 15/16 8	220	22244	10,000	131,571	106,869	81,184	65,942	58,389	54,392										
			30,000	94,629	76,862	58,389	47,427	41,995	39,120										
			60,000	76,862	62,432	47,427	38,522	34,110	31,775										
8- 7/16 8- 1/2 8- 15/16, 9	23048	10,000	93,722	76,126	57,829	46,972	41,592	38,745											
		30,000	67,407	54,751	41,592	33,783	29,914	27,866											
		60,000	54,751	44,472	33,783	27,441	24,298	22,634											
9- 7/16 9- 1/2	23052	10,000	122,559	99,549	75,623	61,425	54,390	50,666											
		30,000	88,147	71,598	54,390	44,178	39,118	36,440											
		60,000	71,598	58,155	44,178	35,884	31,774	29,599											
9- 15/16 10 10- 7/16 10- 1/2	23056	10,000	124,361	101,013	76,735	62,328	55,190												
		30,000	89,444	72,651	55,190	44,828	39,694												
		60,000	72,651	59,011	44,828	36,412	32,241												

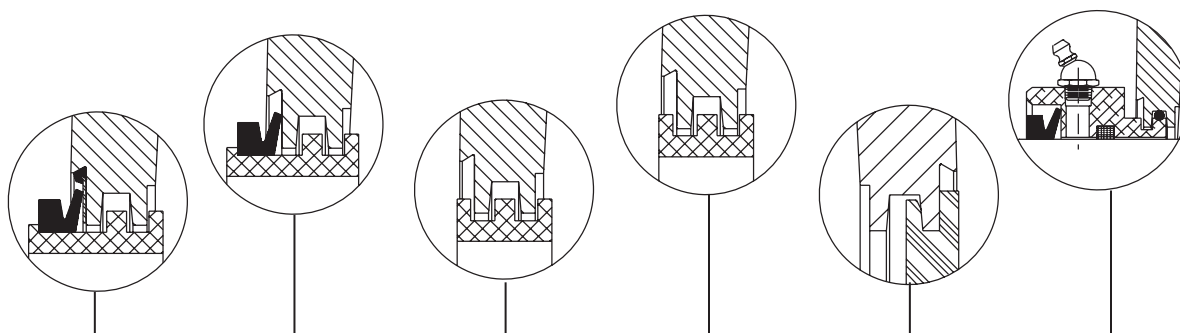
Note: Dark Shaded Areas Require Circulating Oil
Light Shaded Areas Require Static Oil

FEATURES/BENEFITS PAGE B15-3	SPECIFICATION/HOW TO ORDER PAGE B15-7	NOMENCLATURE PAGE B15-8	SELECTION/DIMENSIONS PAGE B15-26
---------------------------------	--	----------------------------	-------------------------------------



SELECTION

UNIFIED SAF Bearing Seals



ENVIRONMENT/ APPLICATION	DROP IN TRIPLE-TECT SEAL	TRIPLE-TECT LABYRINTH & FACE RUBBING SEAL	SPLIT LER LABYRINTH SEAL	LER LABYRINTH SEAL	END COVER	AUXILIARY TACONITE SEAL
	USAF/USN SAF-XT	USAF/USN SAF-XT	USAF/USN SAF-XT	USAF/USN SAF-XT	USAF/USN SAF-XT	USAF/USN SAF-XT
Dusty/Dirty	+	+	▲	▲	++	+
Wet/Moisture Laden	+	+	O	O	++	+
High Pressure Power Washdown	▲	▲	O	O	++	+
☆ High Temperature	O	O	O	+	▲	O
★ High Speed	+	+	+	++	NS	O
Chemical	▲	▲	O	O	▲	▲
Misalignment	+	+	+	+	NS	▲

++ Very Good

+ Good

▲ Questionable (Depends On Condition: Consult DODGE Engineering)

O Not Recommended

NS Not Seal Limited

Notes:

☆ High Temperature is above 200°F

★ Consideration Of High Speed Can Be A Function Of Type And Bearing Design

DROP-IN TRIPLE TECT SEAL

The patented Drop-In TRIPLE-TECT Seal has all the sealing features of the standard TRIPLE-TECT except it is pre-assembled at the factory for quick and easy field assembly. The Drop-In TRIPLE-TECT Seal assembly consists of a seal ring, v-ring seal and stainless metal seal with rubber bead.

While lowering the shaft bearing and seal assembly into the housing base, the stainless metal seal with rubber bead fits in the outboard “v-shaped” housing groove.

The stainless metal seal gives superior sealing surface to the v-ring and positions the v-ring for easy cap to base housing assembly.



FEATURES/BENEFITS PAGE B15-3	SPECIFICATION/HOW TO ORDER PAGE B15-7	NOMENCLATURE PAGE B15-8	SELECTION/DIMENSIONS PAGE B15-26
---------------------------------	--	----------------------------	-------------------------------------



SELECTION

UNIFIED SAF Bearing Lubrication

SELECTING LUBRICATION

DODGE UNIFIED pillow blocks are lubricated by the user at installation. DODGE UNIFIED bearings are specially designed to handle either grease or oil lubrication.

GREASE LUBRICATION:

DODGE UNIFIED bearings are designed to meet the rigorous demands of dirty, dusty or wet environments. In order to properly protect bearings during installation, pack the bearing insert 100% full of grease immediately after properly mounting the bearing on the shaft. If the RPM of the application falls between 20% and 80% of maximum RPM (Table 1, page B15-15), pack the lower half of the housing one-third to one-half full. If the RPM of the application is less than 20% of maximum RPM, pack bearing housing cavity 100% full. If the RPM exceeds 80% of maximum RPM, do not add grease in the lower half of the housing or in the cap.

At each re-greasing cycle, for applications up to 80% of maximum RPM, slowly add grease until fresh grease is seen purging at the seals. Re-greasing should be done while running. Remote re-greasing lines should be added to avoid endangering personnel. If the RPM is greater than 80% of maximum RPM, add 4 strokes of a handgun at each re-greasing cycle for bores

up to 2. For bores greater than 2 up to 5, add 8 strokes of a handgun at each re-greasing cycle. For bores greater than 5 up to 10-1/2, add 16 strokes of a handgun at each re-greasing cycle. For bores greater than 10-1/2, and up to 12-1/2 add 32 strokes of a handgun at each re-greasing cycle. For bores greater than 12-1/2 up to 15-3/4 add 64 strokes of a handgun at each re-greasing cycle. For units running above 80% of maximum RPM, running temperature should be monitored. If a drastic change in running temperature is noted, DODGE recommends removing the used grease completely and recharging with fresh grease per the above instructions. For warning before catastrophic failure, see DODGE Smart Bearing Package on page B15-54

Select a grease with a viscosity at an operating temperature which will provide full film lubrication (see Table 3 below). Use a 50°F to 100°F increase in bearing temperature above ambient, depending on RPM and load. Use Table 4, page B15-21 as a general guide for re-greasing the bearings. A small amount of grease at frequent intervals is preferable to a large amount of grease at infrequent intervals. For special applications involving high speeds, high loads, or very low speeds, consult DODGE Application Engineering (864-284-5700) during the hours of 8:00 a.m. and 5:00 p.m. Eastern Time.

Table 3: Viscosity Of Oil, Or Oil In Grease

DN Δ	Viscosity for Loads Up To 18% of Dyn. Cap.* (SUS @ Oper. Temp.)	CST	DN Δ	Viscosity for Loads Up To 18% of Dyn. Cap.* (SUS. @ Oper. Temp.)	CST
100	3500	700	1400	625	140
200	3150	680	1600	525	120
300	2750	590	1800	450	95
400	2375	500	2000	400	85
500	2000	460	3000	300	63
600	1750	360	4000	200	43
700	1500	320	5000	150	32
800	1300	280	6000	130	28
900	1075	220	7000	110	22
1000	900	140	8000	100	20

Δ DN = Bore Diameter (ins) x RPM

* For loads above 18% of dynamic capacity, an EP grease with viscosity selected from above is recommended

FEATURES/BENEFITS PAGE B15-3	SPECIFICATION/HOW TO ORDER PAGE B15-7	NOMENCLATURE PAGE B15-8	SELECTION/DIMENSIONS PAGE B15-26
---------------------------------	--	----------------------------	-------------------------------------



UNIFIED SAF Bearing Lubrication

OIL LUBRICATION

DODGE UNIFIED bearings are designed to accept oil lubrication. Oil lubrication is normally required at high speeds as well as high loads, or whenever heat from an external source is flowing into the bearing. Oil lubrication may be static or circulating. With static oil, fill the bearing cavity with oil up to the center line of the lowest roller. This height is identified as W and is shown on pages B15-22, B15-23, B15-37, B15-39, B15-63, B15-97, B15-105, and B15-117. Mount an oil sight gauge in the drilled and tapped hole on the side of the pillow block for visual indication of this level. The oil level may drop or rise during

operation depending on the direction of rotation of the bearing. Both the static oil level and the running oil level should be marked on the oil sight gauge and properly identified. Oil should be replaced at least semiannually. For circulating oil, the oil flow rate and size of factory drilled and tapped return drains are shown in Table 5, up to 8 bore. The viscosity of the oil should be selected based on the guidelines shown on Table 3, page B15-20. If the RPM of the application is within the specifications of this catalog, and if the temperature of the bearings is 80°F to 100°F or greater above ambient, a lighter viscosity oil may be required.

Table 4: Re-Greasing Intervals, Months*, Based On 12 Hours Per Day, 150-F Max.

Shaft Size		RPM								
Adapter Mtg. (in.)	Direct Mtg. (mm)	250	500	750	1000	1250	1500	2000	2500	3000
1-7/16 - 1-15/16	40-55	8	6	4	3	2	1	.50	.50	.25
2-3/16	60-65	7	5	3	2	1	1	.50	.25	.25
2-7/16 - 3	70-85	6	4	3	2	1	.50	.25	.25	
3-3/16 - 3-1/2	90-100	5	3	2	1	.50	.50	.25		
3-15/16 - 4-1/2	110-130	4	3	2	1	.50	.25			
4-15/16 - 5-1/2	140-160	3	2	1	.50	.25				
5-15/16 - 7-3/16	170-200	2	1	1	.50					
7-1/2 - 9-1/2	220	1	1	.50						
9-15/16 - 10-1/2	-	1	.50							
10-15/16 - 12-1/2	-	1	.50							
12-15/16 - 15-3/4	-	.50	.25							

* For continuous operations, 24 hours per day, decrease greasing interval by 50%

FEATURES/BENEFITS PAGE B15-3	SPECIFICATION/HOW TO ORDER PAGE B15-7	NOMENCLATURE PAGE B15-8	SELECTION/DIMENSIONS PAGE B15-26
---------------------------------	--	----------------------------	-------------------------------------



SELECTION

UNIFIED SAF Circulating Oil

Table 5: Circulating Oil Flow Rates, Drain Hole Sizes, Thermocouple Location And Vibration Sensor Location

Shaft Size				USAF Housing Designation				Circulating Oil Flow*		Static Oil Level Inches W**		Drain Hole, Dry Sump***			Thermocouple Hole		Vibration ▲ Sensor Hole	
500 Adptr Mntg. Inches	200 Drct. Mntg. mm	600 Adptr. Mntg. Inches	300 Drct. Mntg. mm					Amount Sufficient for Normal Lubrication	Maximum Amount for Heat Dissipation Due to External Heat Source	500 & 200 Series	600 & 300 Series	Location Inches			Location Inches	Wall Thck. Inches	Location Inches	Wall Thck. Inches
												Gal./Min	Gal./Min	X				
1-7/16	-	-	-	509	-	-	-	.0025	.070	0.92	-	1.09	0.63	1-8/27	0.25	0.38	1.56	1.31
1-11/16	-	-	40	510	-	-	308	.0030	.090	1.09	1.19	1.35	1.18	1-8/27	0.27	0.30	1.14	0.97
1-15/16	-	1-7/16	45	511	-	609	309	.0040	.100	1.16	1.28	1.31	0.83	1-8/27	0.28	0.53	1.89	1.13
-	-	1-11/16	50	-	-	610	310	.0045	.120	-	1.38							
2-3/16	-	1-15/16	55	513	-	611	311	.0050	.150	1.11	1.44	1.66	0.78	1-8/27	0.34	0.58	2.02	1.13
2-7/16	75	-	60	515	215	-	312	.0060	.175	1.16	1.31	1.78	0.88	1/4-18	0.36	0.63	2.25	1.19
2-11/16	80	2-3/16	65	516	216	613	313	.0065	.195	1.25	1.41	1.97	0.95	1/4-18	0.31	0.50	2.28	1.52
2-15/16	85	-	70	517	217	-	314	.0075	.200	1.38	1.47	2.13	1.06	3/8-18	0.41	0.67	2.50	1.44
3-3/16	90	2-7/16	75	518	218	615	315	.0080	.250	1.47	1.59	2.25	1.13	3/8-18	0.44	0.61	2.72	1.45
-	-	2-11/16	80	-	-	616	316	.0100	.260	1.69	1.69	2.28	1.17	3/8-18	0.53	0.66	2.73	1.47
3-7/16	100	2-15/16	85	520	220	617	317	.0110	.350	1.64	1.75	2.63	1.25	3/8-18	0.53	0.70	3.08	1.67

* Based on oil temperature of 130°F - 150°F & oil level at center line of lowest roller. For maximum oil flow values, both drains should be used.

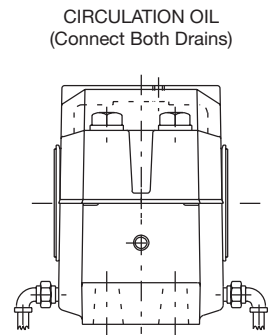
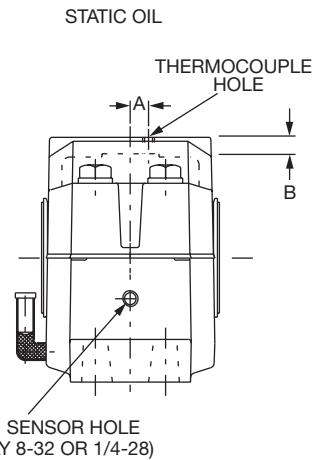
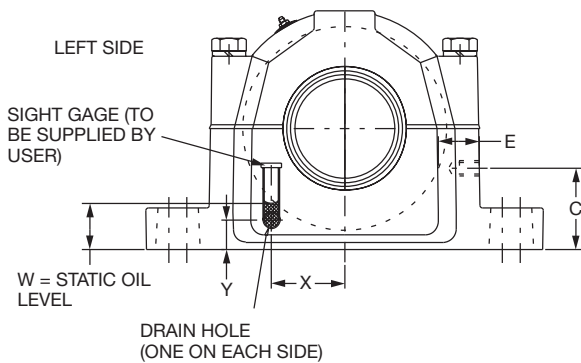
Mount block with drain holes on right side of block center line when rotation is CCW, unless cast closed end.

Mount block with drain holes on left side of block center line when rotation is CW.

** Static oil level is measured from bottom of block base to meniscus on oil sight gauge. (Non-rotating mode)

*** For wet sump, consult DODGE Application Engineering.

▲ For vibration sensors supplied by the user.



FEATURES/BENEFITS PAGE B15-3	SPECIFICATION/HOW TO ORDER PAGE B15-7	NOMENCLATURE PAGE B15-8	SELECTION/DIMENSIONS PAGE B15-26
---------------------------------	--	----------------------------	-------------------------------------



UNIFIED SAF Circulating Oil

Table 5 (continued): Circulating Oil Flow Rates, Drain Hole Sizes, Thermocouple Location And Vibration Sensor Location

Shaft Size				USAF Housing Designation				Circulating Oil Flow*		Static Oil Level Inches W**		Drain Hole, Dry Sump ***			Thermocouple Hole		Vibration ▲ Sensor Hole	
500 Adptr Mtng. Inches	200 Drct. Mtng. mm	600 Adptr. Mtng. Inches	300 Drct. Mtng. mm					Amount Sufficient for Normal Lubrication Gal./Min	Maximum Amount for Heat Dissipation Due to External Heat Source Gal./Min	500 & 200 Series	600 & 300 Series	Location Inches		Location Inches	Wall Thck. Inches	Location Inches	Wall Thck. Inches	
												X	Y					Size
3-15/16 4	110	-	-	522	222	-	-	0.015	0.42	1.80		2.88	1.34	3/8-18	0.53	0.53	3.36	1.72
4-3/16	120	3-7/16 3-1/2	100	524	224	620	320	0.0175	0.48	1.84	2.03	2.19	1.38	1/2-14	0.69	0.77	3.38	1.86
4-7/16 4-1/2	130	3-15/16 4	110	526	226	622	322	0.019	0.55	2.34	2.41	2.31	1.63	1/2-14	0.75	1.00	4.03	2.16
4-15/16 5	140	-	-	528	228	-	-	0.023	0.6	2.03	-	3.68	1.47	1/2-14	0.75	0.89	4.03	2.16
5-3/16	150	4-3/16	120	530	230	624	324	0.025	0.75	2.03	2.38	3.59	1.36	1/2-14	0.81	0.88	4.34	2.25
5-7/16 5-1/2	160	4-7/16 4-1/2	130	532	232	626	326	0.03	0.8	2.09	2.44	4.03	1.33	1/2-14	0.91	0.92	4.52	2.22
5-15/16 6	170	4-15/16 5	140	534	234	628	328	0.035	0.85	2.19	2.56	4.16	1.33	1/2-14	1.00	1.39	4.97	2.70
6-7/16 6-1/2	180	5-3/16	150	536	236	630	330	0.037	0.875	2.42	2.63	4.22	1.63	1/2-14	1.00	1.33	5.25	2.75
6-15/16 7	190	5-7/16 5-1/2	160	538	238	632	332	0.039	1	2.53	2.69	4.75	1.61	1/2-14	1.13	1.25	5.50	2.75
7-3/16	200	5-15/16 6	170	540	240	634	334	0.042	1	2.47	2.75	4.91	1.53	1/2-14	1.13	1.25	5.81	2.84
7-1/2	220	6-15/16 7	190	544S	244	638	338	0.05	1.4	3.25	2.38	5.44	2.03	1/2-14	1.19	1.50	6.63	2.36
7-15/16 8		-		544														

* Based on oil temperature of 130°F - 150°F & oil level at center line of lowest roller. For maximum oil flow values, both drains should be used.

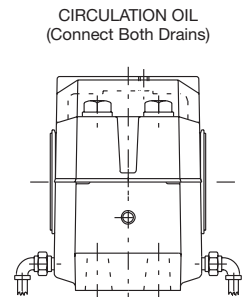
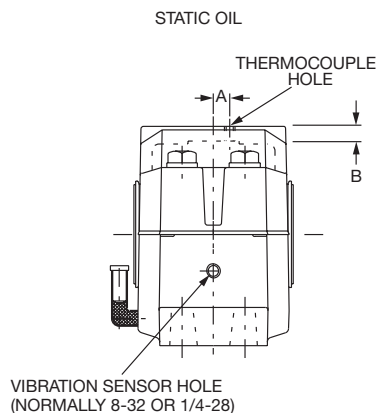
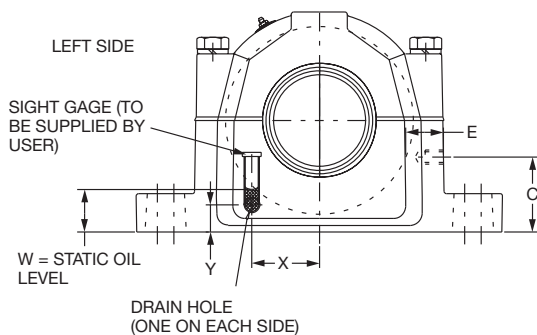
Mount block with drain holes on right side of block center line when rotation is CCW, unless cast closed end.

Mount block with drain holes on left side of block center line when rotation is CW.

** Static oil level is measured from bottom of block base to meniscus on oil sight gauge. (Non-rotating mode)

*** For wet sump, consult DODGE Application Engineering.

▲ For vibration sensors supplied by the user.



FEATURES/BENEFITS PAGE B15-3	SPECIFICATION/HOW TO ORDER PAGE B15-7	NOMENCLATURE PAGE B15-8	SELECTION/DIMENSIONS PAGE B15-26
---------------------------------	--	----------------------------	-------------------------------------



SELECTION

UNIFIED SAF Housing Ratings

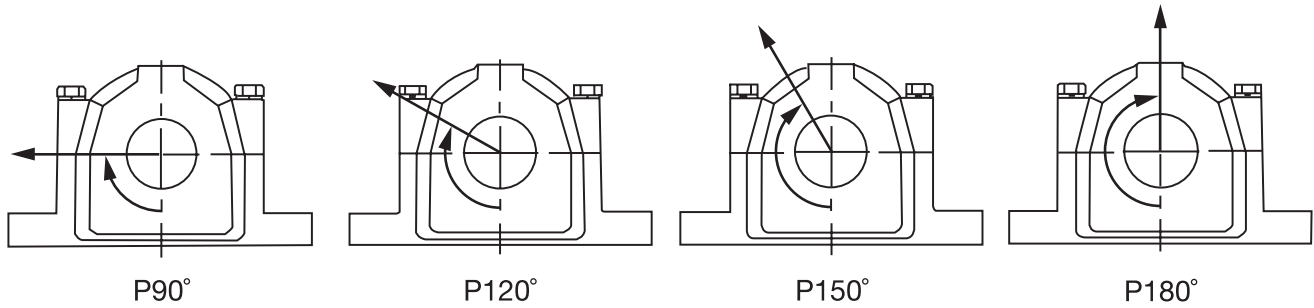


Table 6: USAF Housing Ratings And Cap Bolt Ratings*

Pillow Block Designation				Recommended Housing Cap Loads ♦				Recommended Cap Bolt Loads			Cap Bolt Information ♦		
USAF	USAF	USAF	USAF	P90 lb.	P120 lb.	P150 lb.	P180 lb.	P120 lb.	P150 lb.	P180 lb.	Cap Bolt (No.) Size	Torque (Ft-Lb)	SAE Grade
509				6600	4200	3600	4600	19800	11300	9900	(4) 3/8-16	24-30	5
510			308	7800	5000	4400	5400	19800	11300	9900	(4) 3/8-16	24-30	5
511		610	310	11400	7165	6575	7875	27120	15600	13560	(4) 7/16-14	40-50	5
513		611	311	13360	8260	7680	9200	27120	15600	13560	(4) 7/16-14	40-50	5
515	215		312	13360	8260	7680	9220	36200	20800	18100	(4) 1/2-13	60-75	5
516	216	613	313	12800	8000	7400	8900	57600	33000	28800	(4) 5/8-11	120-150	5
517	217		314	13600	9200	8400	10200	57600	33000	28800	(4) 5/8-11	120-150	5
518	218	615	315	17500	11350	10200	12100	57600	33000	28800	(4) 5/8-11	120-150	5
		616	316	17600	12000	10500	12200	57600	33000	28800	(4) 5/8-11	120-150	5
520	220	617	317	22500	14200	12660	14700	85200	48900	42600	(4) 3/4-10	208-260	5
522	222			28100	17500	15500	17800	85200	48900	42600	(4) 3/4-10	208-260	5
524	224	620	320	24500	15400	13700	15800	85200	48900	42600	(4) 3/4-10	208-260	5
526	226	622	322	28970	18000	15900	18300	11800	67800	59000	(4) 7/8-9	320-430	5
528	228			35800	22100	19400	22300	154400	88700	77200	(4) 1-8	512-640	5
530	230	624	324	40000	24700	21600	25000	154400	88700	77200	(4) 1-8	512-640	5
532	232	626	326	40200	24800	21700	25100	154400	88700	77200	(4) 1-8	512-640	5
534	234	628	328	52000	32200	28200	33000	154400	88700	77200	(4) 1-8	512-640	5
536	236	630	330	78200	49200	43300	52800	154400	88700	77200	(4) 1-8	512-640	5
538	238	632	332	80600	50800	44800	54800	215200	123000	107600	(4) 1-1/4-7	896-1120	5
540	240	634	334	83800	53000	46700	57500	215200	123000	107600	(4) 1-1/4-7	896-1120	5
544	244	638	338	101800	65600	58200	73800	312000	179000	156000	(4) 1-1/2-6	1560-1950	5
048				83800	53000	46700	54800	215200	123000	107600	(4) 1-1/4-7	896-1120	5
052				101800	65600	58200	73800	312000	179000	156000	(4) 1-1/2-6	1560-1950	5
056				110200	71800	64000	82100	312000	179000	156000	(4) 1-1/2-6	1560-1950	5

* When utilizing heavy cap loads an pillow block housings, the installation must adhere to the following procedures.

- 1) The pillow block base bolts must have high strength (Grade 8) bolts and be properly tightened to mounting structure.
- 2) Stop bars (shear strips) must be used against the pillow block where side loads are encountered.
- 3) In all cases where loads are heavy, the L₁₀ life of the bearing should be checked for proper selection and life requirements.

♦ For USDAF housing and Cap Bolt Ratings consult DODGE Application Engineering (864-284-5700).

FEATURES/BENEFITS PAGE B15-3	SPECIFICATION/HOW TO ORDER PAGE B15-7	NOMENCLATURE PAGE B15-8	SELECTION/DIMENSIONS PAGE B15-26
---------------------------------	--	----------------------------	-------------------------------------



SELECTION

UNIFIED SAF Expansion Capabilities

Table 7: UNIFIED 500, 200, 600 And 300 Series And Split-Spher Pillow Blocks Total Expansion Capability

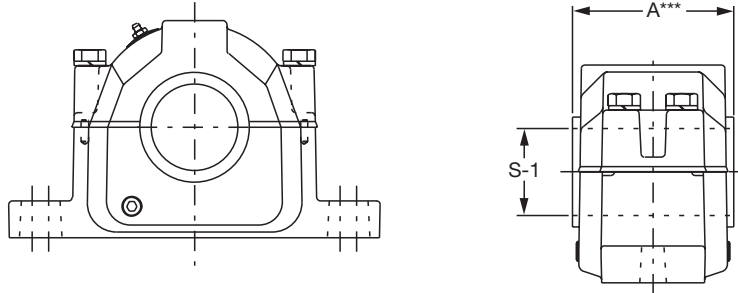
Shaft Size				USAF Housing Designation				Total Expansion, Inches
500 Adptr. Mntg. Inches	200 Drct. Mntg. mm	600 Adptr. Mntg. Inches	300 Drct. Mntg. mm					
1-7/16	-	-	-	509	-	-	-	1/4
1-11/16	-	-	40	510	-	-	308	1/4
1-15/16	-	1-7/16	45	511	-	609	309	1/4
-	-	1-11/16	50	-	-	610	310	7/16
2-3/16	-	1-15/16	55	513	-	611*	311*	5/16
2-7/16	75	-	60	515	215	-	312	1/4
2-1/2								
2-11/16	80	2-7/16	65	516	216	613	313	3/8
2-3/4								
2-15/16	85	-	70	517	217	-	314	3/8
3								
3-3/16	90	2-7/16 2-1/2	75	518	218	615	315	3/8
-	-	2-11/16 2-3/4	80	-	-	616	316	3/8
3-7/16	100	2-15/16 3	85	520	220	617	317	3/8
3-1/2								
3-15/16, 4	110			522	222			3/8
4-3/16	120	3-7/16 3-1/2	100	524	224	620	320	3/8
4-7/16, 4-1/2	130	3-15/16, 4	110	526	226	622	322	3/8
4-15/16	140			528	228			3/8
5								
5-3/16	150	4-3/16	120	530	230	624	324	3/8
5-7/16	160	4-7/16, 4-1/2	130	532	232	626	326	3/8
5-1/2								
5-15/16	170	4-15/16, 5	140	534	234	628	328	3/8
6								
6-7/16	180	5-3/16	150	536	236	630	330	3/8
6-1/2								
6-15/16	190	5-7/16 5-1/2	160	538	238	632	332	3/8
7								
7-3/16	200	5-15/16, 6	170	540	240	634	334	3/8
7-1/2,	220	6-15/16 7	190	544S	244	638	338	3/8
7-15/16		-		544				
8								
8-7/16, 8-1/2	-	-	-	048	-	-	-	5/8
8-15/16, 9								
9-7/16, 9-1/2	-	-	-	052	-	-	-	9/16
9-15/16, 10	-	-	-	056	-	-	-	1-5/8
10-7/16	-	-	-	056L	-	-	-	1-5/8
10-1/2								

* 1/4 Total Expansion



SELECTION/DIMENSIONS

USAF 500 Adapter Mount Pillow Block with TRIPLE-TECT Seal Assembly 500 SERIES OPEN END HOUSING



Shaft Dia S-1	Complete Pillow Block Part No.	Housing W/ Stab Ring Part No.	Bearing Part No.	Dynamic Capacity (C), lbs.	Max RPM (Grease)
1-7/16	P2B509-USAF-107TT 043015	H2S-509-USAF 043995	BRG22209KC3 422134	24,500	5,600
1-11/16	P2B510-USAF-111TT 043048	H2S-510-USAF 043996	BRG22210KC3 422137	26,000	5,300
1-15/16	P2B511-USAF-115TT 043248	H2S-511-USAF 043997	BRG22211KC3 422123	31,500	4,500
2-3/16	P2B513-USAF-203TT 043249	H2S-513-USAF 043998	BRG22213KC3 422124	45,500	3,800
	P4B513-USAF-203TT 039579	H4S-513-USAF 039669	BRG22213KC3 422124		
2-7/16	P2B515-USAF-207TT 041860	H2S-515-USAF 044000	BRG22215KC3 422001	48,000	3,400
	P4B515-USAF-207TT 041861	H4S-515-USAF 044003	BRG22215KC3 422001		
2-1/2	P2B515-USAF-208TT 041862	H2S-515-USAF 044000	BRG22215KC3 422001	48,000	3,400
	P4B515-USAF-208TT 041863	H4S-515-USAF 044003	BRG22215KC3 422001		
2-11/16	P2B516-USAF-211TT 042406	H2S-516-USAF 044198	BRG22216KC3 422003	56,000	3,200
	P4B516-USAF-211TT 044015	H4S-516-USAF 044007	BRG22216KC3 422003		
2-3/4	P2B516-USAF-212TT 042409	H2S-516-USAF 044198	BRG22216KC3 422003	56,000	3,200
	P4B516-USAF-212TT 042423	H4S-516-USAF 044007	BRG22216KC3 422003		
2-15/16	P2B517-USAF-215TT 041864	H2S-517-USAF 044010	BRG22217KC3 422005	68,000	3,000
	P4B517-USAF-215TT 041865	H4S-517-USAF 044013	BRG22217KC3 422005		
3	P2B517-USAF-300TT 041866	H2S-517-USAF 044010	BRG22217KC3 422005	68,000	3,000
	P4B517-USAF-300TT 041867	H4S-517-USAF 044013	BRG22217KC3 422005		
3-3/16	P2B518-USAF-303TT 042422	H2S-518-USAF 044199	BRG22218KC3 422007	78,000	2,600
	P4B518-USAF-303TT 044115	H4S-518-USAF 044114	BRG22218KC3 422007		

FEATURES/BENEFITS PAGE B15-3	SPECIFICATION/HOW TO ORDER PAGE B15-7	NOMENCLATURE PAGE B15-8	SELECTION PAGE B15-13
---------------------------------	--	----------------------------	--------------------------



SELECTION/DIMENSIONS

USAF 500 Adapter Mount Pillow Block with TRIPLE-TECT Seal Assembly 500 SERIES OPEN END HOUSING

Shaft Dia S-1	SNW Part No.	TRIPLE-TECT Part No.	TTDN Part No.	#LER Part No.	Aux Part No.	End Cover Part No.
1-7/16	H309-SNW-107	08TT107	---	08LER107		EC08
	046350	043578		042193		
1-11/16	H310-SNW-111	10TT111	---	10LER111		EC10
	046351	043579		*042199		
1-15/16	H311-SNW-115	12TT115	12TTDN115	12LER115	12AUX115	EC12
	046352	043540	039852	042512	041687	040702
2-3/16	H313-SNW-203	14TT203	14TTDN203	14LER203	14AUX203	EC14
	046353	043541	039853	042513	041688	040703
	H313-SNW-203	14TT203	14TTDN203	14LER203	14AUX203	EC14
	046353	043541	039853	042513	041688	040703
2-7/16	H315-SNW-207	20TT207	20TTDN207	20LER207	20AUX207	EC20
	046354	043542	039538	042514	042380	040704
	H315-SNW-207	20TT207	20TTDN207	20LER207	20AUX207	EC20
	046354	043542	039538	042514	042380	040704
2-1/2	H315-SNW-208	20TT208	20TTDN208	20LER208	20AUX208	EC20
	046355	043543	039854	042515	040890	040704
	H315-SNW-208	20TT208	20TTDN208	20LER208	20AUX208	EC20
	046355	043543	039854	042515	040890	040704
2-11/16	H316-SNW-211	24TT211	24TTDN211	24LER211	24AUX211	EC24
	046356	043544	039855	042516	042381	040705
	H316-SNW-211	24TT211	24TTDN211	24LER211	24AUX211	EC24
	046356	043544	039855	042516	042381	040705
2-3/4	H316-SNW-212	24TT212	24TTDN212	24LER212	24AUX212	EC24
	046357	043545	039856	042517	040891	040705
	H316-SNW-212	24TT212	24TTDN212	24LER212	24AUX212	EC24
	046357	043545	039856	042517	040891	040705
2-15/16	H317-SNW-215	28TT215	28TTDN215	28LER215	28AUX215	EC28
	046358	043546	039530	042518	042382	040706
	H317-SNW-215	28TT215	28TTDN215	28LER215	28AUX215	EC28
	046358	043546	039530	042518	042382	040706
3	H317-SNW-300	28TT300	28TTDN300	28LER300	28AUX300	EC28
	046359	043547	039857	042519	040918	040706
	H317-SNW-300	28TT300	28TTDN300	28LER300	28AUX300	EC28
	046359	043547	039857	042519	040918	040706
3-3/16	H318-SNW-303	34TT303	34TTDN303	34LER303	34AUX303	EC34
	046360	043548	039858	042520	040892	040707
	H318-SNW-303	34TT303	34TTDN303	34LER303	34AUX303	EC34
	046360	043548	039858	042520	040892	040707

NOTE: LER seals are made from Aluminum unless otherwise noted by the * symbol.

If an * appears by the part number, the LER seal is manufactured from Steel.

FEATURES/BENEFITS PAGE B15-3	SPECIFICATION/HOW TO ORDER PAGE B15-7	NOMENCLATURE PAGE B15-8	SELECTION PAGE B15-13
---------------------------------	--	----------------------------	--------------------------



SELECTION/DIMENSIONS

USAF 500 Adapter Mount Pillow Block with TRIPLE-TECT Seal Assembly 500 SERIES OPEN END HOUSING

Shaft Dia S-1	Complete Pillow Block Part No.	Housing W/ Stab Ring Part No.	Bearing Part No.	Dynamic Capacity (C), lbs.	Max RPM (Grease)
3-7/16	P2B520-USAF-307TT 041868	H2S-520-USAF 044020	BRG22220KC3 422009	96,500	2,200
	P4B520-USAF-307TT 041869	H4S-520-USAF 044023	BRG22220KC3 422009		
3-1/2	P2B520-USAF-308TT 041870	H2S-520-USAF 044020	BRG22220KC3 422009	96,500	2,200
	P4B520-USAF-308TT 041871	H4S-520-USAF 044023	BRG22220KC3 422009		
3-15/16	P4B522-USAF-315TT 041872	H4S-522-USAF 044025	BRG22222KC3 422011	122,000	2,000
4	P4B522-USAF-400TT 041873	H4S-522-USAF 044025	BRG22222KC3 422011	122,000	2,000
4-3/16	P4B524-USAF-403TT 042431	H4S-524-USAF 044202	BRG22224KC3 422013	143,000	1,900
4-7/16	P4B526-USAF-407TT 041874	H4S-526-USAF 044031	BRG22226KC3 422015	170,000	1,800
4-1/2	P4B526-USAF-408TT 041875	H4S-526-USAF 044031	BRG22226KC3 422015	170,000	1,800
4-15/16	P4B528-USAF-415TT 041876	H4S-528-USAF 044034	BRG22228KC3 422017	196,000	1,700
5	P4B528-USAF-500TT 041877	H4S-528-USAF 044034	BRG22228KC3 422017	196,000	1,700
5-3/16	P4B530-USAF-503TT 042438	H4S-530-USAF 044203	BRG22230KC3 422019	228,000	1,600
5-7/16	P4B532-USAF-507TT 041878	H4S-532-USAF 044040	BRG22232KC3 422021	260,000	1,500
5-1/2	P4B532-USAF-508TT 041879	H4S-532-USAF 044040	BRG22232KC3 422021	260,000	1,500
5-15/16	P4B534-USAF-515TT 041880	H4S-534-USAF 044043	BRG22234KC3 422023	300,000	1,300
6	P4B534-USAF-600TT 041881	H4S-534-USAF 044043	BRG22234KC3 422023	300,000	1,300
6-7/16	P4B536-USAF-607TT 041882	H4S-536-USAF 044046	BRG22236KC3 422025	305,000	1,300
6-1/2	P4B536-USAF-608TT 041883	H4S-536-USAF 044046	BRG22236KC3 422025	305,000	1,300
6-15/16	P4B538-USAF-615TT 041884	H4S-538-USAF 044049	BRG22238KC3 422027	270,000	1,200
7	P4B538-USAF-700TT 041885	H4S-538-USAF 044049	BRG22238KC3 422027	270,000	1,200
7-3/16	P4B540-USAF-703TT 039606	H4S-540-USAF 039681	BRG22240KC3 422064	300,000	900
7-1/2	P4B544-USAF-708TT 042445	H4S-544S-USAF 044054	BRG22244KC3 422029	365,000	950
7-15/16	P4B544-USAF-715TT 041886	H4S-544-USAF 044055	BRG22244KC3 422029	365,000	950

FEATURES/BENEFITS PAGE B15-3	SPECIFICATION/HOW TO ORDER PAGE B15-7	NOMENCLATURE PAGE B15-8	SELECTION PAGE B15-13
---------------------------------	--	----------------------------	--------------------------



SELECTION/DIMENSIONS

USAF 500 Adapter Mount Pillow Block with TRIPLE-TECT Seal Assembly 500 SERIES OPEN END HOUSING

Shaft Dia S-1	SNW Part No.	TRIPLE-TECT Part No.	TTDN Part No.	#LER Part No.	Aux Part No.	End Cover Part No.
3-7/16	H320-SNW-307 046361	46TT307 043549	46TTDN307 039859	46LER307 042521	46AUX307 042383	EC46 040708
	H320-SNW-307 046361	46TT307 043549	46TTDN307 039859	46LER307 042521	46AUX307 042383	EC46 040708
3-1/2	H320-SNW-308 046362	46TT308 043550	46TTDN308 039860	46LER308 042522	46AUX308 040919	EC46 040708
	H320-SNW-308 046362	46TT308 043550	46TTDN308 039860	46LER308 042522	46AUX308 040919	EC46 040708
3-15/16	H322-SNW-315 046363	50TT315 043551	50TTDN315 039861	50LER315 042523	50AUX315 042384	EC50 040709
4	H322-SNW-400 046364	50TT400 043552	50TTDN400 039862	50LER400 042524	50AUX400 040893	EC50 040709
4-3/16	H3124-SNW-403 046430	52TT403 043553	52TTDN403 039863	52LER403 042525	52AUX403 044360	EC52 040710
4-7/16	H3126-SNW-407 046431	54TT407 043554	54TTDN407 039864	54LER407 042526	54AUX407 042385	EC54 040711
4-1/2	H3126-SNW-408 046432	54TT408 043555	54TTDN408 039865	54LER408 042527	54AUX408 042386	EC54 040711
4-15/16	H3128-SNW-415 046433	56TT415 043556	56TTDN415 039866	56LER415 042528	56AUX415 042387	EC56 040712
5	H3128-SNW-500 046434	56TT500 043557	56TTDN500 039867	56LER500 042529	56AUX500 040894	EC562 040712
5-3/16	SNW30X503 043618	58TT503 043558	---	58LER503 042530		EC58 040713
5-7/16	SNW32X507 043619	60TT507 043559	---	60LER507 042531	60AUX507 042388	EC60 040714
5-1/2	SNW32X508 043634	60TT508 043574	---	60LER508 042532	60AUX508 040895	EC60 040714
5-15/16	SNW34X515 043620	64TT515 043560	---	64LER515 042533	64AUX515 042389	EC64 040681
6	SNW34X600 043621	64TT600 043561	---	64LER600 042534	64AUX600 041646	EC64 040681
6-7/16	SNW36X607 043622	68TT607 043562	---	68LER607 042535	68AUX607 042390	EC68 040682
6-1/2	SNW36X608 043623	68TT608 043563	---	68LER608 042536	68AUX608 042391	EC68 040682
6-15/16	SNW38X615 043624	72TT615 043564	---	72LER615 042537	72AUX615 042392	EC72 040683
7	SNW38X700 043625	72TT700 043565	---	72LER700 042538	72AUX700 043109	EC72 040683
7-3/16	SNW40X703 046545	74TT703 046421	---	74LER703 043386	74AUX703 040690	---
7-1/2	SNW44X708 043627	76TT708 043567	---	76LER708 042539	76AUX708 040896	EC76 040684
7-15/16	SNW44X715 043626	78TT715 043566	---	78LER715 042540	78AUX715 042393*	EC78 040685

NOTE: LER seals are made from Aluminum unless otherwise noted by the * symbol.
If an * appears by the part number, the LER seal is manufactured from Steel.

FEATURES/BENEFITS PAGE B15-3	SPECIFICATION/HOW TO ORDER PAGE B15-7	NOMENCLATURE PAGE B15-8	SELECTION PAGE B15-13
---------------------------------	--	----------------------------	--------------------------



SELECTION/DIMENSIONS

USAF 500 Adapter Mount Pillow Block with TRIPLE-TECT Seal Assembly 500 SERIES OPEN END HOUSING

Shaft Dia S-1	Complete Pillow Block Part No.	Housing W/ Stab Ring Part No.	Bearing Part No.	Dynamic Capacity (C), lbs.	Max RPM (Grease)
8	P4B544-USAF-800TT 041887	H4S-544-USAF 044055	BRG22244KC3 422029	365,000	950
8-7/16	P4B048-USAF-807TT 042447	H4S-048-USAF 044200	BRG23048KC3 422031	260,000	950
8-1/2	P4B048-USAF-808TT 042448	H4S-048-USAF 044200	BRG23048KC3 422031	260,000	950
8-15/16	P4B048-USAF-815TT 042449	H4S-048-USAF 044200	BRG23048KC3 422031	260,000	950
9	P4B048-USAF-900TT 042453	H4S-048-USAF 044200	BRG23048KC3 422031	260,000	950
9-7/16	P4B052-USAF-907TT 042454	H4S-052-USAF 422542	BRG23052KC3 422543	340,000	900
9-1/2	P4B052-USAF-908TT 422544	H4S-052-USAF 422542	BRG23052KC3 422543	340,000	900
9-15/16	P4B056-USAF-915TT 042458	H4S-056-USAF 422560	BRG23056KC3 422030	345,000	850
10	P4B056-USAF-1000TT 041628	H4S-056-USAF 422560	BRG23056KC3 422030	345,000	850
10-7/16	P4B056-USAF-1007TT 042463	H4S-056L-USAF 044201	BRG23056KC3 422030	345,000	850
10-1/2	P4B056-USAF-1008TT 042464	H4S-056L-USAF 044201	BRG23056KC3 422030	345,000	850

Bearing Reference Guide

E-Family Roller Bearings

Specialty Tapered Products

S-2000

UNISPHERE II

IMPERIAL

UNIFIED SAF

FEATURES/BENEFITS PAGE B15-3	SPECIFICATION/HOW TO ORDER PAGE B15-7	NOMENCLATURE PAGE B15-8	SELECTION PAGE B15-13
---------------------------------	--	----------------------------	--------------------------



SELECTION/DIMENSIONS

USAF 500 Adapter Mount Pillow Block with TRIPLE-TECT Seal Assembly 500 SERIES OPEN END HOUSING

Shaft Dia S-1	SNW Part No.	TRIPLE-TECT Part No.	TTDN Part No.	#LER Part No.	Aux Part No.	End Cover Part No.
8	SNW44X800 043628	78TT800 043568	---	78LER800 042541*	78AUX800 042394*	EC78 040685
8-7/16	SNP3048X807 043629	90TT807 043569	---	90LER807 042542*	90AUX807 040897*	EC90 042368
8-1/2	SNP3048X808 043630	90TT808 043570	---	90LER808 042543*	90AUX808 040898*	EC90 042368
8-15/16	SNP3048X815 043631	90TT815 043571	---	90LER815 042544*		EC90 042368
9	SNP3048X900 043632	90TT900 043572	---	90LER900 042545*	90AUX900 040995*	EC90 042368
9-7/16	SNP3052X907 043585	84TT907 043538	---	84LER907 042510*	84AUX907 040900*	EC84 422606
9-1/2	SNP3052X908 422538	84TT908 422545	---	84LER908 422594	84AUX908 040901*	EC84 422606
9-15/16	SNP3056X915 043586	92TT915 043575	---	92LER915 042511*		EC92 042369
10	SNP3056X1000 043633	92TT1000 043573	---	92LER1000 041082*	92AUX1000 042395*	EC92 042369
10-7/16	SNP3056X1007 043580	94TT1007 047940	---	94LER1007 042036*		EC94 040689
10-1/2	SNP3056X1008 422567	94TT1008 047941	---	94LER1008 422573*	94AUX1008 042396*	EC94 040689

NOTE: LER seals are made from Aluminum unless otherwise noted by the * symbol.
If an * appears by the part number, the LER seal is manufactured from Steel.

Bearing Reference Guide

E-Family Roller Bearings

Specialty Tapered Products

S-2000

UNISPHERE II

IMPERIAL

UNIFIED SAF

FEATURES/BENEFITS PAGE B15-3	SPECIFICATION/HOW TO ORDER PAGE B15-7	NOMENCLATURE PAGE B15-8	SELECTION PAGE B15-13
---------------------------------	--	----------------------------	--------------------------



SELECTION/DIMENSIONS

USAF 500 Adapter Mount Pillow Block with TRIPLE-TECT Seal Assembly 500 SERIES CAST CLOSED HOUSING

Shaft Dia S-1	Complete Pillow Block Part No.	Housing Part No.**	Bearing Part No.	Dynamic Capacity (C), lbs.	Max RPM (Grease)	SNW Part No.	1-7/16" - 4-15/16" Seals			
							TRIPLE-TECT Part No.	Drop In TRIPLE-TECT Part No.	# LER Part No.	Aux Taconite Part No.
1-7/16	CP2B509-USAF-107TT 039575	CH2S-509-USAF 039665	BRG22209KC3 422134	24,500	5,600	H309-SNW-107 046350	08TT107 043578	---	08LER107 042193	
	1-11/16	CP2B510--USAF-111TT 039576	CH2S-510-USAF 039666	BRG22210KC3 422137	26,000	5,300	H310-SNW-111 046351	10TT111 043579	---	10LER111 042199
1-15/16	CP2B511-USAF-115TT 039577	CH2S-511-USAF 039667	BRG22211KC3 422123	31,500	4,500	H311-SNW-115 046352	12TT115 043540	12TTDN115 039852	12LER115 042512	12AUX115 041687
2-3/16	CP2B513-USAF-203TT 039578	CH2S-513-USAF 039668	BRG22213KC3 422124	45,500	3,800	H313-SNW-203 046353	14TT203 043541	14TTDN203 039853	14LER203 042513	14AUX203 041688
	CP4B513-USAF-203TT 039580	CH4S-513-USAF 039670	BRG22213KC3 422124	45,500	3,800	H313-SNW-203 046353	14TT203 043541	14TTDN203 039853	14LER203 042513	14AUX203 041688
2-7/16	CP2B515-USAF-207TT 039581	CH2S-515-USAF 039544	BRG22215KC3 422001	48,000	3,400	H315-SNW-207 046354	20TT207 043542	20TTDN207 039538	20LER207 042514	20AUX207 042380
	CP4B515-USAF-207TT 039582	CH4S-515-USAF 039545	BRG22215KC3 422001	48,000	3,400	H315-SNW-207 046354	20TT207 043542	20TTDN207 039538	20LER207 042514	20AUX207 042380
2-1/2	CP2B515-USAF-208TT 039583	CH2S-515-USAF 039544	BRG22215KC3 422001	48,000	3,400	H315-SNW-208 046355	20TT208 043543	20TTDN208 039854	20LER208 042515	20AUX208 040890
	CP4B515-USAF-208TT 039584	CH4S-515-USAF 039545	BRG22215KC3 422001	48,000	3,400	H315-SNW-208 046355	20TT208 043543	20TTDN208 039854	20LER208 042515	20AUX208 040890
2-11/16	CP2B516-USAF-211TT 039585	CH2S-516-USAF 039671	BRG22216KC3 422003	56,000	3,200	H316-SNW-211 046356	24TT211 043544	24TTDN211 039855	24LER211 042516	24AUX211 042381
	CP4B516-USAF-211TT 039586	CH4S-516-USAF 039672	BRG22216KC3 422003	56,000	3,200	H316-SNW-211 046356	24TT211 043544	24TTDN211 039855	24LER211 042516	24AUX211 042381
2-3/4	CP2B516-USAF-212TT 039587	CH2S-516-USAF 039671	BRG22216KC3 422003	56,000	3,200	H316-SNW-212 046357	24TT212 043545	24TTDN212 039856	24LER212 042517	24AUX212 040891
	CP4B516-USAF-212TT 039588	CH4S-516-USAF 039672	BRG22216KC3 422003	56,000	3,200	H316-SNW-212 046357	24TT212 043545	24TTDN212 039856	24LER212 042517	24AUX212 040891
2-15/16	CP2B517-USAF-215TT 039589	CH2S-517-USAF 039508	BRG22217KC3 422005	68,000	3,000	H317-SNW-215 046358	28TT215 043546	28TTDN215 039530	28LER215 042518	28AUX215 042382
	CP4B517-USAF-215TT 039590	CH4S-517-USAF 039509	BRG22217KC3 422005	68,000	3,000	H317-SNW-215 046358	28TT215 043546	28TTDN215 039530	28LER215 042518	28AUX215 042382
3	CP2B517-USAF-300TT 039591	CH2S-517-USAF 039508	BRG22217KC3 422005	68,000	3,000	H317-SNW-300 046359	28TT300 043547	28TTDN300 039857	28LER300 042519	28AUX300 040918
	CP4B517-USAF-300TT 039592	CH4S-517-USAF 039509	BRG22217KC3 422005	68,000	3,000	H317-SNW-300 046359	28TT300 043547	28TTDN300 039857	28LER300 042519	28AUX300 040918
3-3/16	CP2B518-USAF-303TT 039593	CH2S-518-USAF 039673	BRG22218KC3 422007	78,000	2,600	H318-SNW-303 046360	34TT303 043548	34TTDN303 039858	34LER303 042520	34AUX303 040892
	CP4B518-USAF-303TT 039594	CH4S-518-USAF 039674	BRG22218KC3 422007	78,000	2,600	H318-SNW-303 046360	34TT303 043548	34TTDN303 039858	34LER303 042520	34AUX303 040892
3-7/16	CP2B520-USAF-307TT 039595	CH2S-520-USAF 039675	BRG22220KC3 422009	96,500	2,200	H320-SNW-307 046361	46TT307 043549	46TTDN307 039859	46LER307 042521	46AUX307 042383
	CP4B520-USAF-307TT 039596	CH4S-520-USAF 039676	BRG22220KC3 422009	96,500	2,200	H320-SNW-307 046361	46TT307 043549	46TTDN307 039859	46LER307 042521	46AUX307 042383

Note: LER seals are made from Aluminum unless otherwise noted by the * symbol.

If an * appears by the part number, the LER seal is manufactured from Steel.

FEATURES/BENEFITS PAGE B15-3	SPECIFICATION/HOW TO ORDER PAGE B15-7	NOMENCLATURE PAGE B15-8	SELECTION PAGE B15-13
---------------------------------	--	----------------------------	--------------------------



SELECTION/DIMENSIONS

USAF 500 Adapter Mount Pillow Block with TRIPLE-TECT Seal Assembly 500 SERIES CAST CLOSED HOUSING

Shaft Dia S-1	Complete Pillow Block Part No.	Housing Part No.**	Bearing Part No.	Dynamic Capacity (C) Lbs.	Max RPM Ler (Grease)	Snw Part No.	5" - 10-1/2" Seals			
							Triple Tect Part No.	Drop In Triple Tect Part No.	# Ler Part No.	Aux Taconite Part No.
3-1/2	CP2B520-USAF-308TT 039597	CH2S-520-USAF 039675	BRG22220KC3 422009	96,500	2,200	H320-SNW-308 046362	46TT308 043550	46TTDN308 039860	46LER308 042522	46AUX308 040919
	CP4B520-USAF-308TT 039598	CH4S-520-USAF 039676	BRG22220KC3 422009	96,500	2,200	H320-SNW-308 046362	46TT308 043550	46TTDN308 039860	46LER308 042522	46AUX308 040919
3-15/16	CP4B522-USAF-305TT 039599	CH4S-522-USAF 039677	BRG22222KC3 422011	122,000	2,000	H322-SNW-315 046363	50TT315 043551	50TTDN315 039861	50LER315 042523	50AUX315 042384
4	CP4B522-USAF-400TT 039600	CH4S-522-USAF 039677	BRG22222KC3 422011	122,000	2,000	H322-SNW-400 046364	50TT400 043552	50TTDN400 039862	50LER400 042524	50AUX400 040893
4-3-16	CP4B524-USAF-403TT 039601	CH4S-524-USAF 039678	BRG22224KC3 422013	143,000	1,900	H3124-SNW-403 046430	52TT403 043553	52TTDN403 039863	52LER403 042525	52AUX403 044360
4-7/16	CP4B526-USAF-407TT 039602	CH4S-526-USAF 039679	BRG22226KC3 422015	170,000	1,800	H3126-SNW-407 046431	54TT407 043554	54TTDN407 039864	54LER407 042526	54AUX407 042385
4-1/2	CP4B526-USAF-408TT 039603	CH4S-526-USAF 039679	BRG22226KC3 422015	170,000	1,800	H3126-SNW-408 046432	54TT408 043555	54TTDN408 039865	54LER408 042527	54AUX408 042386
4-15/16	CP4B528-USAF-415TT 039604	CH4S-528-USAF 039680	BRG22228KC3 422017	196,000	1,700	H3128-SNW-415 046433	56TT415 043556	56TTDN415 039866	56LER415 042528	56AUX415 042387
5	CP4B528-USAF-500TT 039605	CH4S-528-USAF 039680	BRG22228KC3 422017	196,000	1,700	H3128-SNW-500 046434	56TT500 043557	56TTDN500 039867	56LER500 042529	56AUX500 040894
5-3/16	CP4B530-USAF-503TT 039138	CH4S-530-USAF 039217	BRG2223KC3 422019	228,000	1,600	SNW30X503 043618	58TT503 043558	---	58LER503 042530	
5-7/16	CP4B532-USAF-507TT 039141	CH4S-532-USAF 039218	BRG22232KC3 422021	260,000	1,500	SNW32X507 043619	60TT507 043559	---	60LER507 042531	60AUX507
5-1/2	CP4B532-USAF-508TT 039142	CH4S-532-USAF 039218	BRG22232KC3 422021	260,000	1,500	SNW32X508 043634	60TT508 043574	---	60LER508 042532	60AUX508 040895
5-15/16	CP4B534-USAF-515TT 039147	CH4S-534-USAF 039219	BRG22234KC3 422023	300,000	1,300	SNW34X515 043620	64TT515 043560	---	64LER515 042533	64AUX515 042389
6	CP4B534-USAF-600TT 039148	CH4S-534-USAF 039219	BRG22234KC3 422023	300,000	1,300	SNW34X600 043621	64TT600 043561	---	64LER600 042534	64AUX600 041646
6-7/16	CP4B536-USAF-607TT 039151	CH4S-536-USAF 039220	BRG22236KC3 422025	305,000	1,300	SNW36X607 043622	68TT607 042562	---	68LER607 042535	68AUX607 042390
6-1/2	CP4B536-USAF-608TT 039152	CH4S-536-USAF 039220	BRG22236KC3 422025	305,000	1,300	SNW36X608 043623	68TT608 043563	---	68LER608 042536	68AUX608 042391
6-15/16	CP4B538-USAF-615TT 039155	CH4S-538-USAF 039221	BRG22238KC3 422027	270,000	1,200	SNW38X615 043624	72TT615 043564	---	72LER615 042537	72AUX615 042392
7	CP4B538-USAF-700TT 039156	CH4S-538-USAF 039221	BRG22238KC3 422027	270,000	1,200	SNW38X700 043625	72TT700 043565	---	72LER700 042538	72AUX700 043109
7-3/16	CP4B540-USAF-703TT 039159	CH4S-540-USAF 039222	BRG22240KC3 422064	300,000	900	SNW40X703 046545	74TT703 046421	---	74LER703 043386	74AUX703 040690
7-1/2	CP4B544-USAF-708TT 039160	CH4S-544S-USAF 039223	BRG22244KC3 422029	365,000	950	SNW44X708 043627	76TT708 043567	---	76LER708 042539	76AUX708 040896
7-15/16	CP4B544-USAF-715TT 039163	CH4S-544-USAF 039224	BRG22244KC3 422029	365,000	950	SNW44X715 043626	78TT715 043566	---	78LER715 042540	78AUX715 042393*

NOTE: LER seals are made from aluminum unless otherwise noted by the * symbol.

If an * appears by the part number, the LER seal is manufactured from steel.

FEATURES/BENEFITS PAGE B15-3	SPECIFICATION/HOW TO ORDER PAGE B15-7	NOMENCLATURE PAGE B15-8	SELECTION PAGE B15-13
---------------------------------	--	----------------------------	--------------------------



SELECTION/DIMENSIONS

USAF 500 Adapter Mount Pillow Block with TRIPLE-TECT Seal Assembly 500 SERIES CAST CLOSED HOUSING

Shaft Dia S-1	Complete Pillow Block Part No.	Housing Part No.**	Bearing Part No.	Dynamic Capacity (C) Lbs.	Max RPM LER (Grease)	SNW Part No.	5" - 10-1/2" Seals			
							Triple Tect Part No.	Drop In Triple Tect Part No.	# LER Part No.	Aux Taconite Part No.
8	CP4B544-USAF-800TT 039164	CH4S-544-USAF 039224	BRG22244KC3 422029	365,000	950	SNW44X800 043628	78TT800 043568	---	78LER800 042541*	78AUX800 042394*
8-7/16	CP4B048-USAF-807TT 039165	CH4S-048-USAF 039225	BRG23048KC3 422031	260,000	800	SNP3048X807 043629	90TT807 043569	---	90LER807 042542*	90AUX807 040897*
8-1/2	CP4B048-USAF-808TT 039166	CH4S-048-USAF 039225	BRG23048KC3 422031	260,000	800	SNP3048X808 043630	90TT808 043570	---	90LER808 042543*	90AUX808 040898*
8-15/16	CP4B048-USAF-815TT 039167	CH4S-048-USAF 039225	BRG23048KC3 422031	260,000	800	SNP3048X815 043631	90TT815 043571	---	90LER815 042544*	
9	CP4B048-USAF-900TT 039168	CH4S-048-USAF 039225	BRG23048KC3 422031	260,000	800	SNP3048X900 043632	90TT900 043572	---	90LER900 042545*	90AUX900 040995*
9-7/16	CP4B052-USAF-907TT 039169	CH4S-052-USAF 039226	BRG23052KC3 422543	340,000	750	SNP3052X907 043585	84TT907 043538	---	84LER907 042510*	84AUX907 040900*
9-1/2	CP4B052-USAF-908TT 039170	CH4S-052-USAF 039226	BRG23052KC3 422543	340,000	750	SNP3052X908 422538	84TT908 422545	---	84LER908 042594*	84AUX908 040901*
9-15/16	CP4B056-USAF-915TT 039171	CH4S-056-USAF 039227	BRG23056KC3 422030	345,000	700	SNP3056X915 043586	92TT915 043575	---	92LER915 042511*	
10	CP4B056-USAF-1000TT 039172	CH4S-056-USAF 039227	BRG23056KC3 422030	345,000	700	SNP3056X1000 043633	92TT1000 043573	---	92LER1000 041082*	92AUX1000 042395*
10-7/16	CP4B056-USAF-1007TT 039173	CH4S-056L-USAF 039228	BRG23056KC3 422030	345,000	700	SNP3056X1007 043580	94TT1007 047940	---	94LER1007 042036*	
10-1/2	CP4B056-USAF-1008TT 039174	CH4S-056L-USAF 039228	BRG23056KC3 422030	345,000	700	SNP3056X1008 422567	94TT1008 047941	---	94LER1008 422573*	94AUX1008 042396*

NOTE: LER seals are made from aluminum unless otherwise noted by the * symbol.
If an * appears by the part number, the LER seal is manufactured from steel.



SELECTION/DIMENSIONS

USAF 500 Adapter Mount Pillow Block Housing

S-1 Shaft Size (Inch)	Housing	500 Housing †							
		Thru Housing				Closed End Housing			
		2-Bolt		4-Bolt		2-Bolt		4-Bolt	
		Part No.	Approx. Wt. (Lbs)	Part No.	Approx. Wt. (Lbs)	Part No.	Approx. Wt. (Lbs)	Part No.	Approx. Wt. (Lbs)
1-7/16	509	043995	9.5	-	-	039665	10.0	-	-
1-11/16	510	043996	11.3	-	-	039666	12.1	-	-
1-15/16	511	043997	15.6	039762	22.5	039667	16.5	-	23.5
2-3/16	513	043998	21.4	039669	22.5	039668	22.4	039670	23.5
2-7/16	515	044000	24.8	044003	26.4	039544	26.6	039545	27.9
2-1/2									
2-11/16	516	044198	28.0	044007	28.0	039671	29.0	039672	29.0
2-3/4									
2-15/16	517	044010	34.7	044013	38.3	039508	37.0	039509	40.6
3									
3-3/16	518	044199	36.8	044114	37.2	039673	40.7	039674	41.2
3-7/16	520	044020	61.2	044023	61.8	039675	65.3	039676	65.9
3-1/2									
3-15/16	522	-	-	044025	78.9	-	-	039677	84.0
4-3/16	524	-	-	044202	90.6	-	-	039678	96.1
4-7/16	526	-	-	044031	121.6	-	-	039679	128.2
4-1/2									
4-15/16	528	-	-	044034	152.2	-	-	039680	162.2
5-3/16	530	-	-	044203	170.5	-	-	039217	182.3
5-7/16	532	-	-	044040	220.1	-	-	039218	235.2
5-1/2									
5-15/16	534	-	-	044043	269.9	-	-	039219	282.8
6-7/16	536	-	-	044046	328.5	-	-	039220	349.7
6-1/2									
6-15/16	538	-	-	044049	384.7	-	-	039221	409.4
7-3/16	540	-	-	039681	393.0	-	-	039222	403.0
7-1/2	544S	-	-	044054	624.0	-	-	039223	634.0
7-15/16	544	-	-	044055	621.0	-	-	039224	631.0
8-7/16	048	-	-	044200	386.0	-	-	039225	412.2
8-1/2									
8-15/16									
9-7/16	052	-	-	422542	575.0	-	-	039226	590.4
9-1/2									
9-15/16	056	-	-	422560	692.0	-	-	039227	722.6
10-7/16	056L	-	-	044201	690.0	-	-	039228	720.0
10-1/2									

† Includes Stabilizing Ring(s)

FEATURES/BENEFITS PAGE B15-3	SPECIFICATION/HOW TO ORDER PAGE B15-7	NOMENCLATURE PAGE B15-8	SELECTION PAGE B15-13
---------------------------------	--	----------------------------	--------------------------



SELECTION/DIMENSIONS

USAF 500 Housing Dimensions

Bearing Reference Guide

E-Family Roller Bearings

Specialty Tapered Products

S-2000

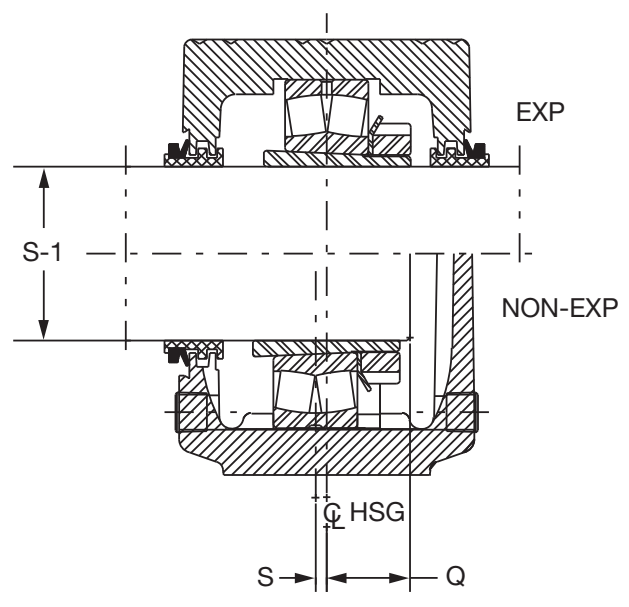
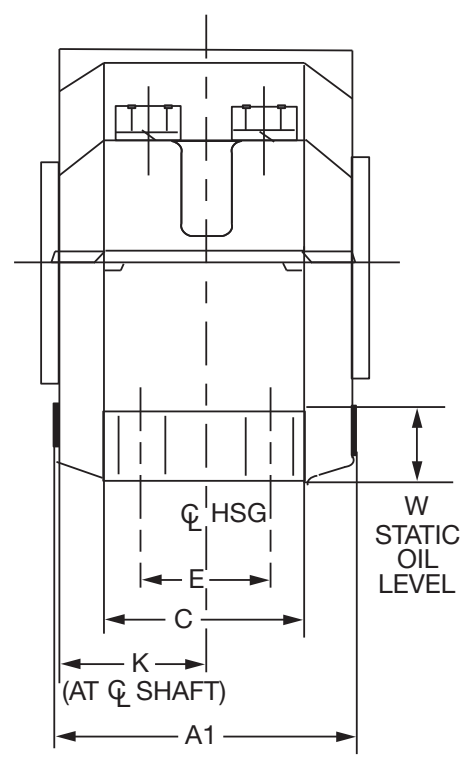
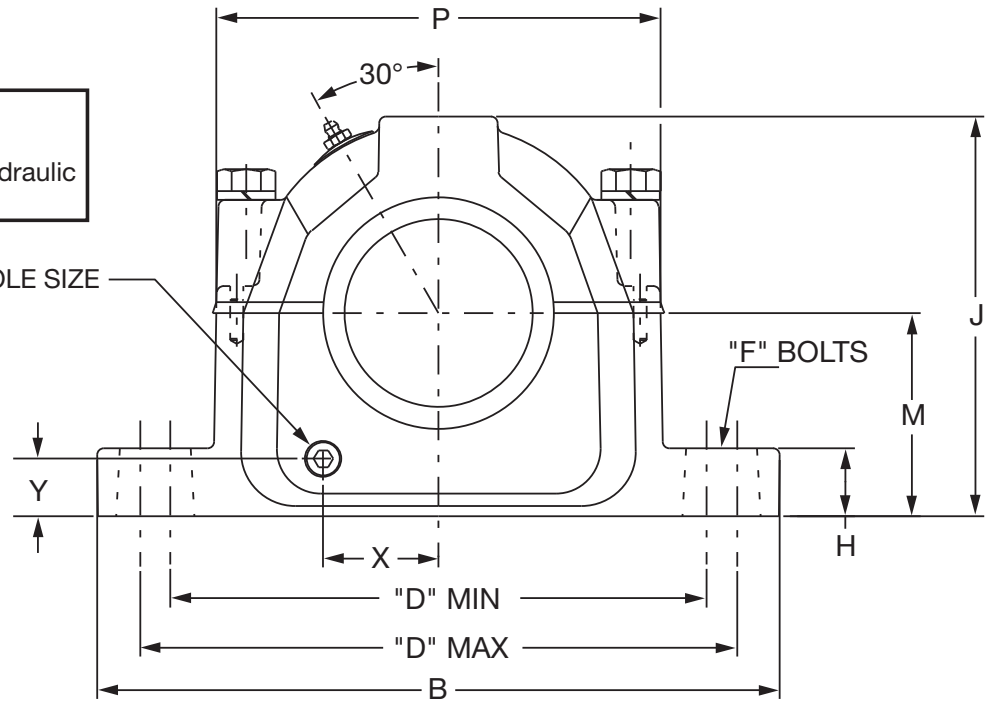
UNISPHERE II

IMPERIAL

UNIFIED SAF

LUBE NOTE:
All Sizes Use A
1/8-27 NPT Hydraulic
Grease Fitting

DRAIN HOLE SIZE



FEATURES/BENEFITS PAGE B15-3	SPECIFICATION/HOW TO ORDER PAGE B15-7	NOMENCLATURE PAGE B15-8	SELECTION PAGE B15-13
---------------------------------	--	----------------------------	--------------------------



SELECTION/DIMENSIONS

USAF 500 Housing Dimensions

S-1 Shaft Size	Housing	A1▲	B	C	D				E	F	
					2-Bolt		4-Bolt			Bolt Dia.	
					Min	Max	Min	Max		2-Bolt	4-Bolt
1-7/16	509	3.88	8.25	2.38	6.25	7.00	-	-	-	1/2	
1-11/16	510	4.06	8.25	2.34	6.50	7.00	-	-	-	1/2	
1-15/16	511	4.25	9.63	2.75	7.38	8.25	-	-	-	5/8	
2-3/16	513	4.64	11.00	3.13	8.50	9.50	8.13	9.50	1.88	5/8	1/2
2-7/16 2-1/2	515	5.20	11.13	3.13	8.63	9.63	8.63	9.63	1.88	5/8	1/2
2-11/16 2-3/4	516	5.44	12.59	3.50	9.63	11.00	9.63	11.00	2.13	3/4	5/8
2-15/16 3	517	5.39	12.59	3.50	9.88	11.00	9.88	11.00	2.13	3/4	5/8
3-3/16	518	6.16	13.63	3.88	10.25	11.75	10.38	11.63	2.13	3/4	5/8
3-7/16 3-1/2	520	6.39	15.36	4.34	11.63	13.13	11.63	13.13	2.38	7/8	3/4
3-15/16 4	522	7.16	16.50	4.75	-	-	12.59	14.50	2.75	-	3/4
4-3/16	524	8.05	16.50	4.72	-	-	13.25	14.50	2.75	-	3/4
4-7/16 4-1/2	526	8.27	18.38	5.13	-	-	14.50	16.00	3.25	-	7/8
4-15/16 5	528	8.77	19.69	5.88	-	-	15.63	17.38	3.38	-	1

S-1 Shaft Size	Housing	H	J	K	M	P	Q ★	S ●	W Static Oil Level	X	Y	Drain Hole Size
1-7/16	509	0.88	4.30	1.78	2.25	4.88	1.03	0.13	0.92	1.09	0.63	1/8-27NPSI
1-11/16	510	1.03	4.59	1.88	2.50	5.13	1.11	0.13	1.08	1.25	0.81	1/8-27NPSI
1-15/16	511	1.03	5.25	1.97	2.75	5.78	1.20	0.13	1.16	1.94	0.83	1/8-27NPSI
2-3/16	513	1.03	5.94	2.16	3.00	6.50	1.38	0.16	1.11	1.66	0.78	1/8-27NPSI
2-7/16 2-1/2	515	1.25	6.44	2.31	3.25	7.06	1.39	0.13	1.16	1.78	0.88	1/4-18NPSF
2-11/16 2-3/4	516	1.06	6.75	2.42	3.50	7.94	1.44	0.18	1.25	1.97	0.95	1/4-18NPSF
2-15/16 3	517	1.25	7.38	2.47	3.75	8.19	1.50	0.19	1.38	2.13	1.06	3/8-18NPSF
3-3/16	518	1.44	7.75	2.84	4.00	8.66	1.72	0.19	1.47	2.50	1.13	3/8-18NPSF
3-7/16 3-1/2	520	1.66	8.75	3.16	4.50	9.78	1.92	0.19	1.64	2.63	1.25	3/8-18NPSF
3-15/16 4	522	1.78	9.41	3.30	4.94	10.59	2.09	0.19	1.80	2.88	1.34	3/8-18NPSF
4-3/16	524	1.50	10.25	3.64	5.25	11.25	2.28	0.19	1.84	3.19	1.38	1/2-14NPSF
4-7/16 4-1/2	526	2.06	11.53	3.75	6.00	12.41	2.47	0.19	2.34	3.31	1.63	1/2-14NPSF
4-15/16 5	528	2.06	11.81	4.00	6.00	13.25	2.45	0.19	2.03	3.63	1.47	1/2-14NPSF

- ▲ Housing width with drain plugs
 - ★ Distance shaft should extend beyond housing centerline if pillow block is closed end style
 - Non-expansion bearing offset from centerline. For expansion bearing S = 0
- Dowel hole locations for Precision Positioning, see Page B15-24 - B15-25

FEATURES/BENEFITS PAGE B15-3	SPECIFICATION/HOW TO ORDER PAGE B15-7	NOMENCLATURE PAGE B15-8	SELECTION PAGE B15-13
---------------------------------	--	----------------------------	--------------------------



SELECTION/DIMENSIONS

USAF 500 Housing Dimensions

Bearing Reference Guide

E-Family Roller Bearings

Specialty Tapered Products

S-2000

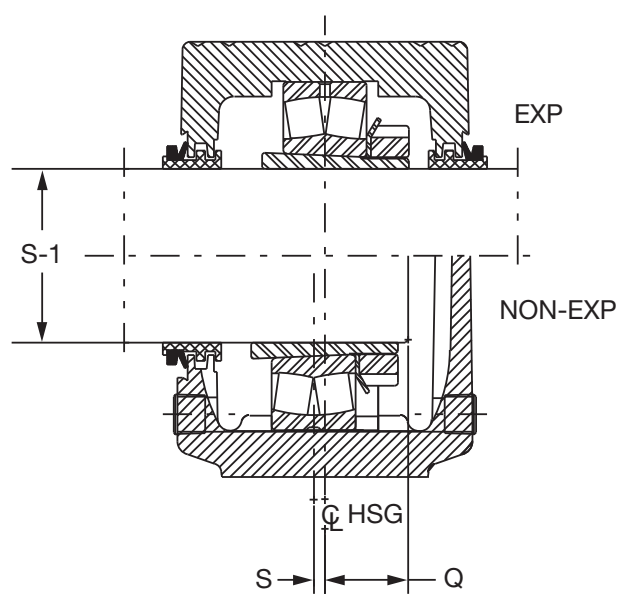
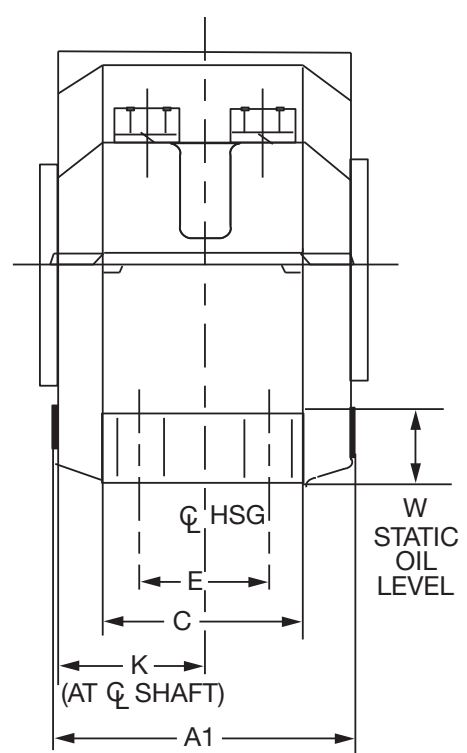
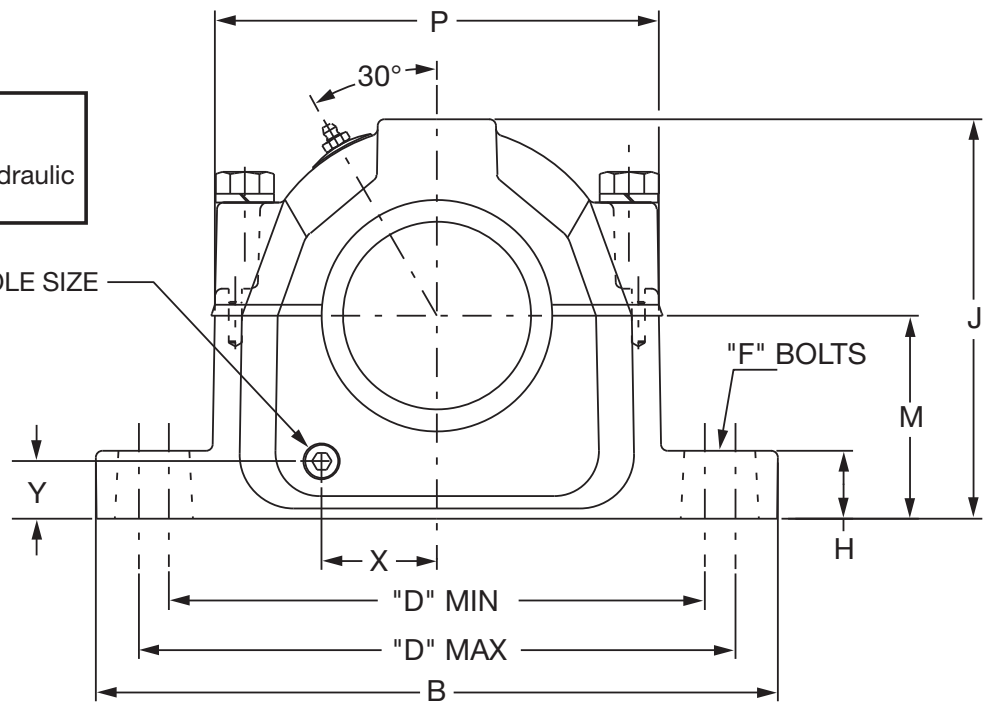
UNISPHERE II

IMPERIAL

UNIFIED SAF

LUBE NOTE:
All Sizes Use A
1/8-27 NPT Hydraulic
Grease Fitting

DRAIN HOLE SIZE



FEATURES/BENEFITS PAGE B15-3	SPECIFICATION/HOW TO ORDER PAGE B15-7	NOMENCLATURE PAGE B15-8	SELECTION PAGE B15-13
---------------------------------	--	----------------------------	--------------------------



SELECTION/DIMENSIONS

USAF 500 Housing Dimensions

S-1 Shaft Size	Housing	A1▲	B	C	D				E	F	
					2-Bolt		4-Bolt			Bolt Dia.	
					Min	Max	Min	Max		2-Bolt	4-Bolt
5-3/16	530	9.36	20.88	6.25	-	-	16.75	18.25	3.75	-	1
5-7/16 5-1/2	532	9.92	21.66	6.25	-	-	17.38	19.25	3.75	-	1
5-15/16 6	534	9.91	24.75	6.75	-	-	19.38	21.63	4.25	-	1
6-7/16 6-1/2	536	10.41	26.75	7.13	-	-	20.88	23.63	4.63	-	1
6-15/16 7	538	10.81	28.00	7.50	-	-	21.63	24.38	4.50	-	1-1/4
7-3/16	540	11.53	28.75	8.00	-	-	22.50	25.00	5.00	-	1-1/4
7-1/2	544S	12.30	32.75	8.80	-	-	24.75	27.88	5.25	-	1-1/2
7-15/16 8	544										
8-7/16 8-1/2 8-15/16 9	048	11.53	28.75	8.00	-	-	22.50	25.00	5.00	-	1-1/4
9-7/16 9-1/2	052	12.30	32.75	8.88	-	-	24.75	27.88	5.25	-	1-1/2
9-15/16 10	056	13.66	34.25	9.00	-	-	26.25	29.50	5.50	-	1-1/2
10-7/16 10-1/2	056L										

S-1 Shaft Size	Housing	H	J	K	M	P	Q ★	S ●	W Static Oil Level	X	Y	Drain Hole Size
5-3/16	530	2.38	12.50	4.33	6.31	14.31	2.45	0.19	2.03	3.59	1.33	1/2-14NPSF
5-7/16 5-1/2	532	2.34	13.31	4.63	6.69	14.91	2.97	0.19	2.09	4.03	1.33	1/2-14NPSF
5-15/16 6	534	2.88	14.56	4.63	7.06	16.81	3.13	0.19	2.19	4.16	1.33	1/2-14NPSF
6-7/16 6-1/2	536	3.00	15.13	4.88	7.50	17.19	3.16	0.19	2.42	4.22	1.63	1/2-14NPSF
6-15/16 7	538	3.13	15.81	5.06	7.88	18.00	3.30	0.19	2.53	4.75	1.61	1/2-14NPSF
7-3/16	540	3.38	16.63	5.44	8.25	19.00	3.50	0.19	2.47	4.91	1.53	1/2-14NPSF
7-1/2	544S	3.75	18.88	5.81	9.50	21.25	3.73	0.19	3.25	5.44	2.03	1/2-14NPSF
7-15/16 8	544											
8-7/16 8-1/2 8-15/16 9	48	3.38	16.63	5.44	8.25	19.00	3.56	0.00	2.25	-	-	-
9-7/16 9-1/2	52	3.75	18.88	5.81	9.50	21.25	3.88	0.00	2.89	-	-	-
9-15/16 10	56	4.00	20.00	6.38	9.88	22.31	4.00	0.00	2.36	-	-	-
10-7/16 10-1/2	056L											

- ▲ Housing width with drain plugs
- ★ Distance shaft should extend beyond housing centerline if pillow block is closed end style
- Non-expansion bearing offset from centerline. For expansion bearing S = 0

FEATURES/BENEFITS PAGE B15-3	SPECIFICATION/HOW TO ORDER PAGE B15-7	NOMENCLATURE PAGE B15-8	SELECTION PAGE B15-13
---------------------------------	--	----------------------------	--------------------------

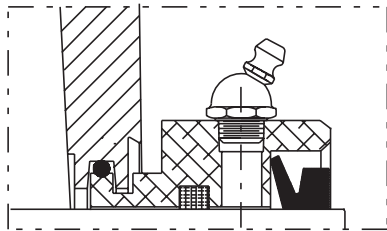
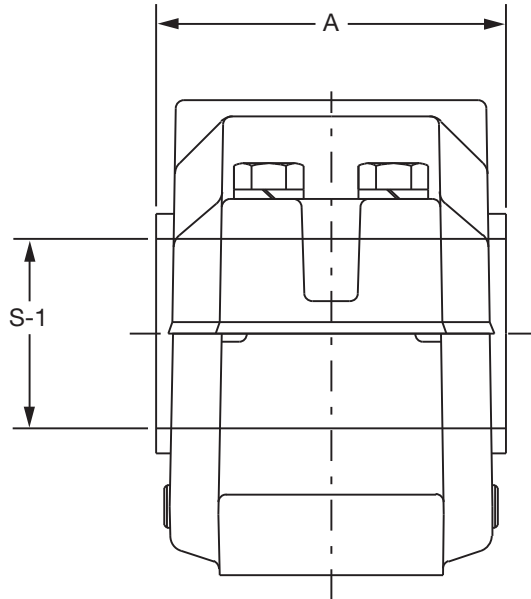
Bearing Reference Guide
 E-Family Roller Bearings
 Specialty Tapered Products
 S-2000
 UNISPHERE II
 IMPERIAL
 UNIFIED SAF



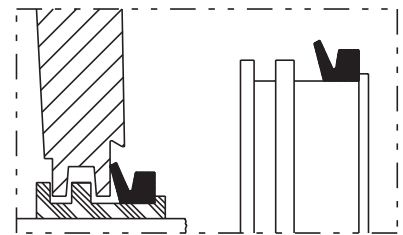
SELECTION/DIMENSIONS

USAF 500 Pillow Block Seals

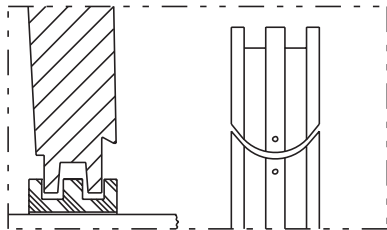
LENGTH THRU BORE W/SEALS



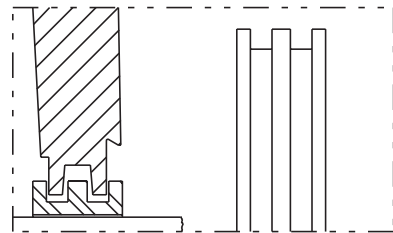
AUXILIARY TACONITE Seal
For dusty environments and low to moderate speeds



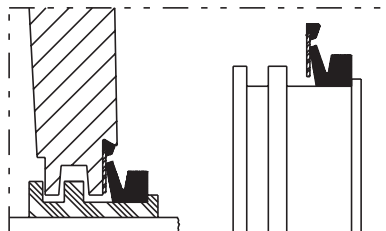
TRIPLE-TECT Seal
General purpose seal for wet or dirty environments



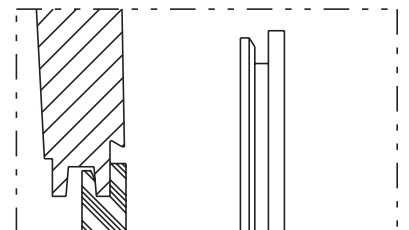
SPLIT Seal
Permits easy installation in hard-to-reach applications without removing shaft.
Non-metallic split LER
See page B11-80 for SPLIT Seal part numbers



LER SEAL
High speed seal for relatively clean environments



DROP-IN TRIPLE-TECT Seal
DODGE exclusive. popular TRIPLE-TECT features with simplified installation.



END COVER Seal
Allows use of open shaft housing as closed-end



SELECTION/DIMENSIONS

USAF 500 Pillow Block Seals

500 Seals - Inch											
S-1 Shaft size (Inch)	Housing	Seal Group	Part Numbers					A			
			Triple-Tect (TT)	Triple-Tect Drop-in (TTDN)	#Metal Labyrinth (LER)	Auxiliary Taconite (AUX)	End Cover	TT	TTDN	LER	AUX
1-7/16	509	8	043578	-	042193	041685	040700	3.97	3.97	3.42	6.56
1-11/16	510	10	043579	-	042199	041686	040701	4.14	4.14	3.61	6.73
1-15/16	511	12	043540	039852	042512	041687	040702	4.34	4.34	3.83	6.69
2-3/16	513	14	043541	039853	042513	041688	040703	4.72	4.72	4.19	7.56
2-7/16	515	20	043542	039538	042514	042380	040704	4.94	4.94	4.47	7.47
2-1/2			043543	039854	042515	040890	040704				
2-11/16	516	24	043544	039855	042516	042381	040705	5.33	5.33	4.72	7.72
2-3/4			043545	039856	042517	040891	040705				
2-15/16	517	28	043546	039530	042518	042382	040706	5.44	5.44	4.83	7.95
3			043547	039857	042519	040918	040706				
3-3/16	518	34	043548	039858	042520	040892	040707	6.20	6.20	5.70	8.27
3-7/16	520	46	043549	039859	042521	042383	040708	6.78	6.78	6.19	9.06
3-1/2			043550	039860	042522	040919	040708				
3-15/16	522	50	043551	039861	042523	042384	040709	7.06	7.13	6.59	9.05
4			043552	039862	042524	040893	040709				
4-3/16	524	52	043553	039863	042525	044360	040710	7.91	7.59	7.31	-
4-7/16	526	54	043554	039864	042526	042385	040711	8.08	8.08	7.50	10.63
4-1/2			043555	039865	042527	042386	040711				
4-15/16	528	56	043556	039866	042528	042387	040712	8.47	8.47	7.88	11.13
5			043557	039867	042529	040894	040712				
5-3/16	530	58	043558	-	042530	-	040713	9.28	9.28	8.70	-
5-7/16	532	60	043559	-	042531	042388	040714	9.78	9.78	9.20	11.95
5-1/2			043574	-	042532	040895	040714				
5-15/16	534	64	043560	-	042533	042389	040681	9.83	9.83	9.13	11.88
6			043561	-	042534	041646	040681				
6-7/16	536	68	043562	-	042535	042390	040682	10.39	10.39	9.69	12.94
6-1/2			043563	-	042536	042391	040682				
6-15/16	538	72	043564	-	042537	042392	040683	10.69	10.69	9.98	13.23
7			043565	-	042538	043109	040683				
7-3/16			540	74	046421	-	043386				
7-1/2	544S	76	043567	-	042539	040896	040684	12.13	12.13	11.34	15.97
7-15/16	544	78	043566	-	042540	042393	040685				
8			043568	-	042541*	042394	040685				
8-7/16	048	90	043569	-	042542*	040897	042368	12.06	-	11.72	15.53
8-1/2			043570	-	042543*	040898	042368				
8-15/16			043571	-	042544*	040899	042368				
9			043572	-	042545*	040995	042368				
9-7/16	052	84	043538	-	042510*	040900	422606	12.77	-	11.41	16.22
9-1/2			422545	-	422594*	040901	422606				
9-15/16	056	92	043575	-	042511*	-	042369	13.92	-	12.66	17.13
10			043573	-	041082*	042395	042369				
10-7/16	056L	94	047940	-	042036*	-	042397	14.05	-	12.66	17.13
10-1/2			047941	-	422573*	042396	042397				

NOTE: LER seals are made from Aluminum unless otherwise noted by the * symbol.

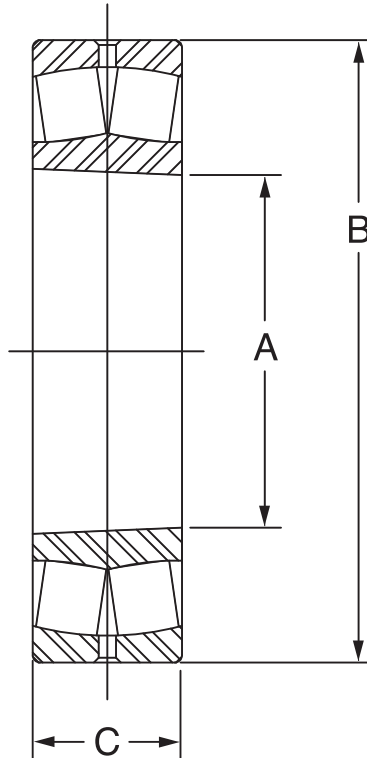
If an * appears by the part number, the LER seal is manufactured from Steel.

FEATURES/BENEFITS PAGE B15-3	SPECIFICATION/HOW TO ORDER PAGE B15-7	NOMENCLATURE PAGE B15-8	SELECTION PAGE B15-13
---------------------------------	--	----------------------------	--------------------------



SELECTION/DIMENSIONS

USAF 22200K and 23000K Spherical Roller Bearings



Bearing Reference Guide

E-Family Roller Bearings

Specialty Tapered Products

S-2000

UNISPHERE II

IMPERIAL

UNIFIED SAF

FEATURES/BENEFITS PAGE B15-3	SPECIFICATION/HOW TO ORDER PAGE B15-7	NOMENCLATURE PAGE B15-8	SELECTION PAGE B15-13
---------------------------------	--	----------------------------	--------------------------



SELECTION/DIMENSIONS

USAF 22200K and 23000K Spherical Roller Bearings

S-1 Shaft Size (Inch)	Housing	Bearing No.	Part No.	Approx. Wt. (Lbs)	A Inch (mm)	B Inch (mm)	C Inch (mm)
1-7/16	509	22209K	422134	1.2	1.7717 (45)	3.3465 (85)	.9055 (23)
1-11/16	510	22210K	422137	1.3	1.9685 (50)	3.5233 (90)	.9055 (23)
1-15/16	511	22211K	422123	1.8	2.1654 (55)	3.9370 (100)	.9843 (25)
2-3/16	513	22213K	422124	3.2	2.5591 (65)	4.7244 (120)	1.2205 (31)
2-7/16 2-1/2	515	22215K	422001	3.6	2.9528 (75)	5.1181 (130)	1.2205 (31)
2-11/16 2-3/4	516	22216K	422003	4.4	3.1496 (80)	5.5188 (140)	1.2992 (33)
2-15/16 3	517	22217K	422005	5.5	3.3465 (85)	5.9055 (150)	1.4173 (36)
3-3/16	518	22218K	422007	7.0	3.5433 (90)	6.2992 (160)	1.5748 (40)
3-7/16 3-1/2	520	22220K	422009	10.4	3.9370 (100)	7.0866 (180)	1.8110 (46)
3-15/16 4	522	22222K	422011	14.9	4.3307 (110)	7.8740 (200)	2.0866 (53)
4-3/16	524	22224K	422013	18.7	4.7244 (120)	8.4646 (215)	2.2865 (58)
4-7/16 4-1/2	526	22226K	422015	23.4	5.1181 (130)	9.0551 (230)	2.5197 (64)
4-15/16 5	528	22228K	422017	29.5	5.5118 (140)	9.8425 (250)	2.6772 (68)
5-3/16	530	22230K	422019	37.5	5.9055 (150)	10.6299 (270)	2.8740 (73)
5-7/16 5-1/2	532	22232K	422021	48.1	6.2992 (160)	11.4173 (290)	3.1496 (80)
5-15/16 6	534	22234K	422023	58.0	6.6929 (170)	12.2047 (310)	3.3858 (86)
6-7/16 6-1/2	536	22236K	422025	60.8	7.0866 (180)	12.5984 (320)	3.3858 (86)
6-15/16 7	538	22238K	422027	78.9	7.4803 (190)	13.3858 (340)	3.6220 (92)
7-3/16	540	22240K	422064	94.1	7.8740 (200)	14.1732 (360)	3.8583 (98)
7-1/2	544S	22244K	422029	129.0	8.6614 (220)	14.7480 (400)	4.2520 (108)
7-15/16 8	544						
8-7/16 8-1/2 8-15/16 9	048	23048K	422031	73.4	9.4488 (240)	14.1732 (360)	3.6220 (92)
9-7/16 9-1/2	052	23052K	422543	106.0	10.2362 (260)	15.7480 (400)	4.0945 (104)
9-15/16 10	056	23056K	422030	114.0	11.0236 (280)	16.5354 (430)	4.1732 (106)
10-7/16 10-1/2	056L						

Bearing Reference Guide

E-Family Roller Bearings

Specialty Tapered Products

S-2000

UNISPHERE II

IMPERIAL

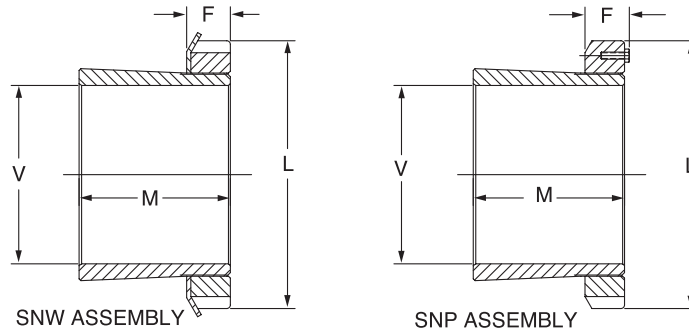
UNIFIED SAF

FEATURES/BENEFITS PAGE B15-3	SPECIFICATION/HOW TO ORDER PAGE B15-7	NOMENCLATURE PAGE B15-8	SELECTION PAGE B15-13
---------------------------------	--	----------------------------	--------------------------



SELECTION/DIMENSIONS

USAF 500 Adaptor Assembly (SNW)



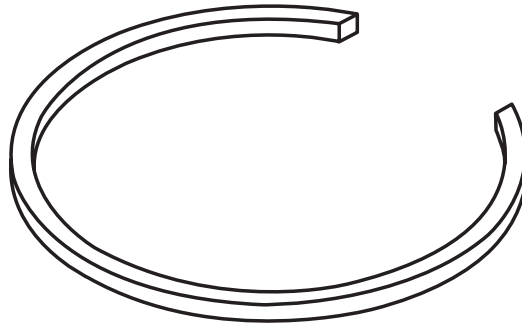
V Shaft Dia. (In)	Housing	SNW/SNP Number	Part Number	Approx Wt. (Lbs)	L (in.)	F Max (in.)	M (in.)
1-7/16	509	H309-SNW-107	046350	1.0	2.53	0.52	1.58
1-11/16	510	H310-SNW-111	046351	1.0	2.69	0.58	1.77
1-15/16	511	H311-SNW-115	046352	0.8	2.97	0.58	1.85
2-3/16	513	H313-SNW-203	046353	1.6	3.38	0.64	2.10
2-7/16	515	H315-SNW-207	046354	2.6	3.88	0.69	2.29
2-1/2		H315-SMW-208	046355	2.3			
2-11/16	516	H316-SNW-211	046356	2.6	4.16	0.69	2.37
2-3/4		H316-SNW-212	046357	2.6			
2-15/16	517	H317-SNW-215	046358	3.0	4.41	0.72	2.47
3		H317-SNW-300	046359	2.5			
3-3/16	518	H318-SNW-303	046360	3.1	4.66	0.80	2.63
3-7/16	520	H320-SNW-307	046361	4.6	5.19	0.83	2.87
3-1/2		H320-SNW-308	046362	4.4			
3-15/16	522	H322-SNW-315	046363	5.6	5.72	0.86	3.19
4		H322-SNW-400	046364	5.0			
4-3/16	524	H3124-SNW-403	046430	6.5	6.12	0.92	3.47
4-7/16	526	H3126-SNW-407	046431	9.2	6.75	0.95	3.76
4-1/2		H3126-SNW-408	046432	8.6			
4-15/16	528	H3128-SNW-415	046433	10.0	7.09	1.02	3.97
5		H3128-SNW-500	046434	9.0			
5-3/16	530	SNW30-503	043618	12.7	7.69	1.08	4.22
5-7/16	532	SNW32-507	043619	15.9	8.06	1.14	4.57
5-1/2		SNW32-508	043634	15.0			
5-15/16	534	SNW34-515	043620	17.6	8.66	1.23	4.83
6		SNW34-600	043621	17.0			
6-7/16	536	SNW36-607	043622	17.0	9.06	1.27	5.02
6-1/2		SNW36-608	043623	18.0			
6-15/16	538	SNW38-615	043624	18.0	9.47	1.30	5.26
7		SNW38-700	043625	17.0			
7-3/16	540	SNW40-703	046545	30.7	9.84	1.36	5.48
7-1/2	544S	SNW44-708	043627	30.2	11.00	1.42	5.90
7-15/16	544	SNW44-715	043626	36.0			
8		SNW44-800	043628	34.7			
8-7/16	048	SNP048-807	043629	38.0	11.44	1.73	5.44
8-1/2		SNP048-808	043630	30.0			
8-15/16		SNP048-815	043631	28.0			
9		SNP048-900	043632	22.0			
9-7/16	052	SNP052-907	043585	41.1	12.19	1.80	6.02
9-1/2		SNP052-908	422538	40.0			
9-15/16	056	SNP056-915	043586	43.7	13.00	1.89	6.19
10		SNP056-1000	043633	42.0			
10-7/16	056L	SNP056-1007	043580	30.0			
10-1/2		SNP056-1008	422567	28.0			

FEATURES/BENEFITS PAGE B15-3	SPECIFICATION/HOW TO ORDER PAGE B15-7	NOMENCLATURE PAGE B15-8	SELECTION PAGE B15-13
---------------------------------	--	----------------------------	--------------------------



SELECTION/DIMENSIONS

USAF Stabilizing Rings



Housing	Stab. Ring No.	Stab. Ring Part No. ▲
509	9-9	041987
510	10-8	042335
511	11-9	042315
513	13-0	042316
515/215	15-0	041174
516/216	16-13	041172
517/217	17-14	041175
518/218	18-15	041173
520/220	20-17	041176
522/222	22-19	041177
524/224	24-20	041185
526/226	26-0	041178
528/228	28-0	041179
530/230	30-0	041186
532/232	32-0	041180
534/234	34-0	041181
536/236	36-30	041184
538/238	38-32	041182
540/240	40-34	046639
544S/544/244	44-38	041183
* 048	A8897	041161
* 052	A8898	422554
* 056/056L	A8819	041213

Housing	Stab. Ring No.	Stab. Ring Part No. ▲
308	10-8	042335
609/309	11-9	042315
610/310	0-10	046642
611/311	6-11	046632
312	15-0	041174
613/313	16-13	041172
314	17-14	041175
615/315	18-15	041173
616/316	19-16	046643
617/317	20-17	041176
620/320	24-20	041185
622/322	0-22	046635
624/324	0-24	046634
626/326	0-26	046637
628/328	0-28	046638
630/330	36-30	041184
632/332	38-32	041182
634/334	40-34	046639
638/338	44-38	041183

* Two stabilizing rings required per housing

▲ Part numbers for reference only. Housings come equipped with stabilizing rings enclosed

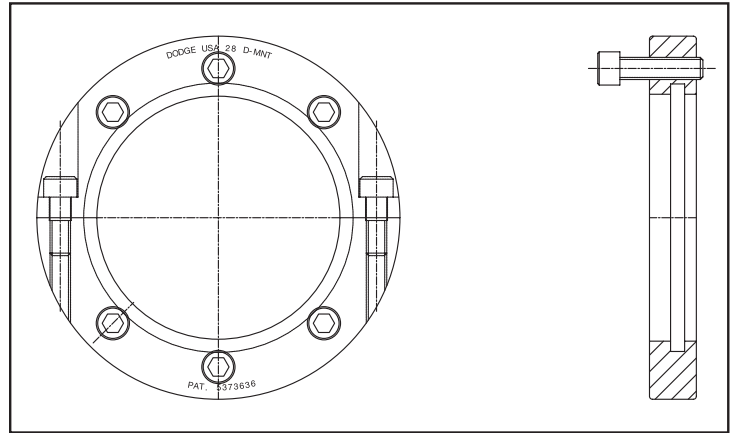
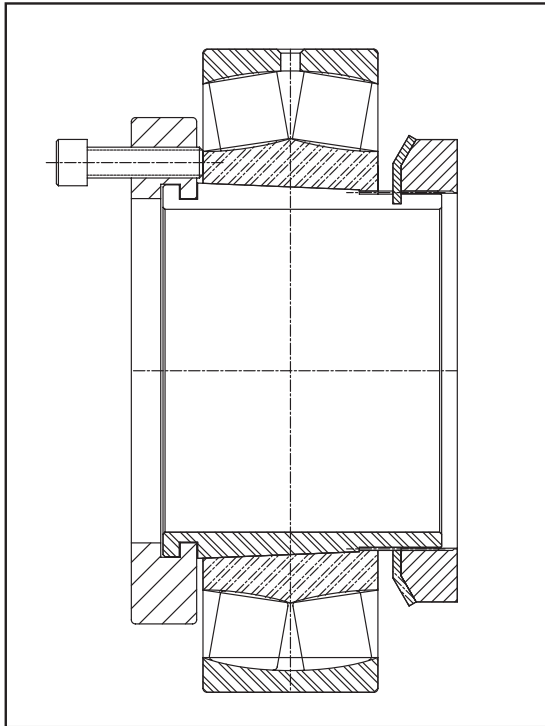
FEATURES/BENEFITS PAGE B15-3	SPECIFICATION/HOW TO ORDER PAGE B15-7	NOMENCLATURE PAGE B15-8	SELECTION PAGE B15-13
---------------------------------	--	----------------------------	--------------------------



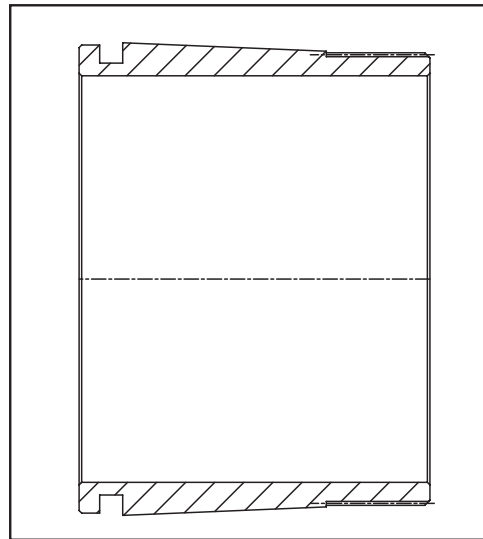
SELECTION/DIMENSIONS

USAF/SN D-Mount Adapter System

1. Saves time removing bearing from shaft!
2. Reduces the use of blue flame torches!
3. Increases uptime!
4. Lowers maintenance costs!



D-MOUNT TOOL



D-MOUNT ADAPTER SLEEVE

D-MOUNT TOOL - SNW - BEARING WITH TOOL ASSEMBLED READY TO REMOVE BEARING

For use on 22209K through 22244K size bearings

HOW IT WORKS

Split D-Mount tool is mounted on D-Mount adapter and uses socket head cap screws to force the inner ring off the taper to unlock the bearing from the adapter sleeve. No additional space allowance is required.

This adapter sleeve is used in place of the standard adapter sleeve.



SELECTION/DIMENSIONS

D-MOUNT Adapter System SAF/SN Mounted Bearings PART NUMBERS AND DESCRIPTION

Part No.	Description-Inch
D-Mount Adapter with Removal Feature-USAF500	
046960	DH09-SNW-107
046961	DH10-SNW-111
046962	DH11-SNW-115
046963	DH13-SNW-203
046964	DH15-SNW-207
046965	DH15-SNW-208
046966	DH16-SNW-211
046967	DH1 6-SNW-212
046968	DH17-SNW-215
046969	DH17-SNW-300
046970	DH18-SNW-303
046971	DH20-SNW-307
046972	DH20-SNW-308
046973	DH22-SNW-315
046974	DH22-SNW-400
046975	DH24-SNW-403
046976	DH26-SNW-407
046977	DH26-SNW-408
046978	DH28-SNW-415
046979	DH28-SNW-500
046980	DH30-SNW-503
046981	DH32-SNW-507
046982	DH32-SNW-508
046983	DH34-SNW-515
046984	DH34-SNW-600
046985	DH36-SNW-607
046986	DH36-SNW-608
046987	DH38-SNW-615
046988	DH38-SNW-700
046989	DH40-SNW-703
046991	DH44-SNW-708
046992	DH44-SNW-715
046993	DH44-SNW-800

* Made to order.

Part No.	Description-Metric
D-Mount Adapter with Removal Feature-USN500	
047815 *	DH09-SNW-40M
047816 *	DH10-SNW-45M
047817 *	DH11-SNW-50M
047818 *	DH12-SNW-55M
047819 *	DH13-SNW-60M
047820 *	DH15-SNW-65M
047821 *	DH16-SNW-70M
047822 *	DH17-SNW-75M
047823 *	DH18-SNW-80M
047824 *	DH19-SNW-85M
047825 *	DH20-SNW-90M
047826 *	DH22-SNW-100M
047827 *	DH24-SNW-110M
047828 *	DH26-SNW-115M
047829 *	DH28-SNW-125M
047830 *	DH30-SNW-135M
047831 *	DH32-SNW-140M

NOTE: The D-MOUNT Adapter Sleeve SNW Assembly should be used in place of the standard SNW assembly during installation. The D-MOUNT tool will be needed during removal.

Part No.	Description
D-Mount Adapter Removal Tools	
046872	D-MOUNT TOOL 09
046873	D-MOUNT TOOL 10
046874	D-MOUNT TOOL 11
046850	D-MOUNT TOOL 12
046875	D-MOUNT TOOL 13
046876	D-MOUNT TOOL 15
046877	D-MOUNT TOOL 16
046878	D-MOUNT TOOL 17
046879	D-MOUNT TOOL 18
046851	D-MOUNT TOOL 19
046880	D-MOUNT TOOL 20
046881	D-MOUNT TOOL 22
046882	D-MOUNT TOOL 24
046883	D-MOUNT TOOL 26
046884	D-MOUNT TOOL 28
046885	D-MOUNT TOOL 30
046886	D-MOUNT TOOL 32
046887	D-MOUNT TOOL 34
046891	D-MOUNT TOOL 36
046892	D-MOUNT TOOL 38
046893	D-MOUNT TOOL 40
046894	D-MOUNT TOOL 44

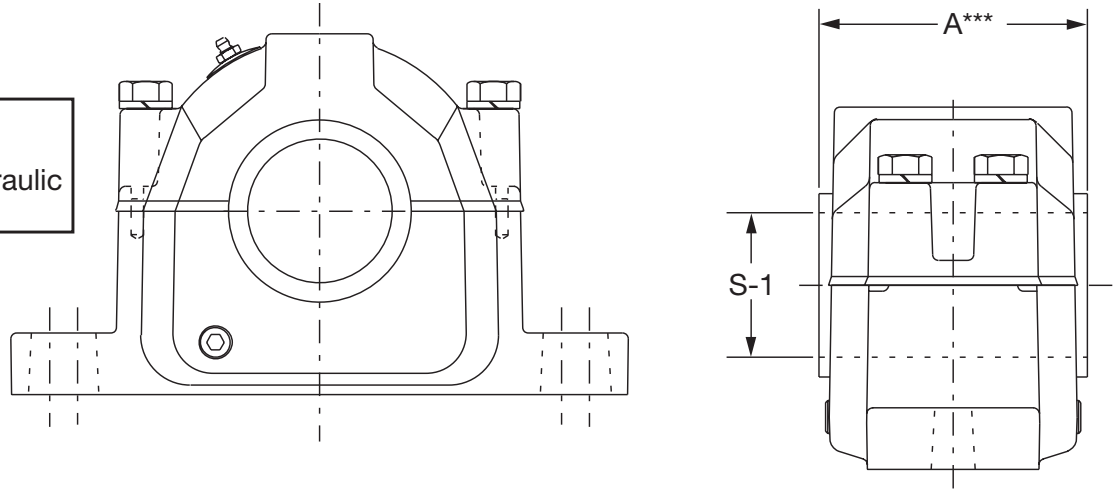
FEATURES/BENEFITS PAGE B15-3	SPECIFICATION/HOW TO ORDER PAGE B15-7	NOMENCLATURE PAGE B15-8	SELECTION PAGE B15-13
---------------------------------	--	----------------------------	--------------------------



SELECTION/DIMENSIONS

USAF 500 Air Handling Pillow Blocks with TRIPLE-TECT Seals

LUBE NOTE:
All Sizes Use A
1/8-27 NPT Hydraulic
Grease Fitting



Shaft Dia S-1	Complete Pillow Block Part No.	Housing W/ Stab Ring Part No.	Bearing Part No.	Dynamic Capacity (C), lbs.	Max Rpm (Grease)	SNW Part No.	TRIPLE-TECT Part No.	End Cover Part No.
1-7/16	P2B509-USAF-107TTAH 039100	H2S-509-USAF 043995	BRG22209KC3AH 422980	24,500	5,600	H309-SNW-107 046350	08TT107 043578	EC08 040700
1-11/16	P2B510-USAF-111TTAH 039101	H2S-510-USAF 043996	BRG22210KC3AH 422981	26,000	5,300	H310-SNW-111 046351	10TT111 043579	EC10 040701
1-15/16	P2B511-USAF-115TTAH 039102	H2S-511-USAF 043997	BRG22211KC3AH 422982	31,500	4,500	H311-SNW-115 046352	12TT115 043540	EC12 040702
2-3/16	P2B513-USAF-203TTAH 039103	H2S-513-USAF 043998	BRG22213KC3AH 422983	45,500	3,800	H313-SNW-203 046353	14TT203 043541	EC14 040703
	P4B513-USAF-203TTAH 039113	H4S-513-USAF 039669	BRG22213KC3AH 422983	45,500	3,800	H313-SNW-203 046353	14TT203 043541	EC14 040703
2-7/16	P2B515-USAF-207TTAH 039104	H2S-515-USAF 044000	BRG22215KC3AH 422984	48,000	3,400	H315-SNW-207 046354	20TT207 043542	EC20 040704
	P4B515-USAF-207TTAH 039114	H4S-515-USAF 044003	BRG22215KC3AH 422984	48,000	3,400	H315-SNW-207 046354	20TT207 043542	EC20 040704
2-1/2	P2B515-USAF-208TTAH 039105	H2S-515-USAF 044000	BRG22215KC3AH 422984	48,000	3,400	H315-SNW-208 046355	20TT208 043543	EC20 040704
	P4B515-USAF-208TTAH 039115	H4S-515-USAF 044003	BRG22215KC3AH 422984	48,000	3,400	H315-SNW-208 046355	20TT208 043543	EC20 040704
2-11/16	P2B516-USAF-211TTAH 039106	H2S-516-USAF 044198	BRG22216KC3AH 422985	56,000	3,200	H316-SNW-211 046356	24TT211 043544	EC24 040705
	P4B516-USAF-211TTAH 039116	H4S-516-USAF 044007	BRG22216KC3AH 422985	56,000	3,200	H316-SNW-211 046356	24TT211 043544	EC24 040705
2-3/4	P2B516-USAF-212TTAH 039107	H2S-516-USAF 044198	BRG22216KC3AH 422985	56,000	3,200	H316-SNW-212 046357	24TT212 043545	EC24 040705
	P4B516-USAF-212TTAH 039117	H4S-516-USAF 044007	BRG22216KC3AH 422985	56,000	3,200	H316-SNW-212 046357	24TT212 043545	EC24 040705
2-15/16	P2B517-USAF-215TTAH 039108	H2S-517-USAF 044010	BRG22217KC3AH 422986	68,000	3,000	H317-SNW-215 046358	28TT215 043546	EC28 040706
	P4B517-USAF-215TTAH 039118	H4S-517-USAF 044013	BRG22217KC3AH 422986	68,000	3,000	H317-SNW-215 046358	28TT215 043546	EC28 040706



SELECTION/DIMENSIONS

USAF 500 Air Handling Pillow Blocks with TRIPLE-TECT Seals

Bearing Reference Guide

E-Family Roller Bearings

Specialty Tapered Products

S-2000

UNISPHERE II

IMPERIAL

UNIFIED SAF

Shaft Dia S-1	Complete Pillow Block Part No.	Housing W/ Stab Ring Part No.	Bearing Part No.	Dynamic Capacity (C), lbs.	Max Rpm (Grease)	SNW Part No.	TRIPLE-TECT Part No.	End Cover Part No.
3	P2B517-USAF-300TTAH 039109	H2S-517-USAF 044013	BRG22217KC3AH 422986	68,000	3,000	H317-SNW-300 046359	28TT300 043547	EC28 040706
	P4B517-USAF-300TTAH 039119	H4S-517-USAF 044013	BRG22217KC3AH 422986	68,000	3,000	H317-SNW-300 046359	28TT300 043547	EC28 040706
3-3/16	P2B518-USAF-303TTAH 039110	H2S-518-USAF 044199	BRG22218KC3AH 422987	78,000	2,600	H318-SNW-303 046360	34TT303 043548	EC34 040707
	P4B518-USAF-303TTAH 039120	H4S-518-USAF 044114	BRG22218KC3AH 422987	78,000	2,600	H318-SNW-303 046360	34TT303 043548	EC34 040707
3-7/16	P2B520-USAF-307TTAH 039111	H2S-520-USAF 044020	BRG22220KC3AH 422988	96,500	2,200	H320-SNW-307 046361	46TT307 043549	EC46 040708
	P4B520-USAF-307TTAH 039121	H4S-520-USAF 044023	BRG22220KC3AH 422988	96,500	2,200	H320-SNW-307 046361	46TT307 043549	EC46 040708
3-1/2	P2B520-USAF-308TTAH 039112	H2S-520-USAF 044020	BRG22220KC3AH 422988	96,500	2,200	H320-SNW-308 046362	46TT308 043550	EC46 040708
	P4B520-USAF-308TTAH 039122	H4S-520-USAF 044023	BRG22220KC3AH 422988	96,500	2,200	H320-SNW-308 046362	46TT308 043550	EC46 040708
3-15/16	P4B522-USAF-315TTAH 039123	H4S-522-USAF 044025	BRG22222KC3AH 422989	122,000	2,000	H322-SNW-315 046363	50TT315 043551	EC50 040709
4	P4B522-USAF-400TTAH 039124	H4S-522-USAF 044025	BRG22222KC3AH 422989	122,000	2,000	H322-SNW-400 046364	50TT400 043552	EC50 040709
4-3/16	P4B524-USAF-403TTAH 039125	H4S-524-USAF 044202	BRG22224KC3AH 422990	143,000	1,900	H3124-SNW-403 046430	52TT403 043553	EC52 040710
4-7/16	P4B526-USAF-407TTAH 039126	H4S-526-USAF 044031	BRG22226KC3AH 422991	170,000	1,800	H3126-SNW-407 046431	54TT407 043554	EC54 040711
4-1/2	P4B526-USAF-408TTAH 039127	H4S-526-USAF 044031	BRG22226KC3AH 422991	170,000	1,800	H3126-SNW-408 046432	54TT408 043555	EC54 040711
4-15/16	P4B528-USAF-415TTAH 039128	H4S-528-USAF 044034	BRG22228KC3AH 422992	196,000	1,700	H3128-SNW-415 046433	56TT415 043556	EC56 040712
5	P4B528-USAF-500TTAH 039129	H4S-528-USAF 044034	BRG22228KC3AH 422992	196,000	1,700	H3128-SNW-500 046434	56TT500 043557	EC56 040712

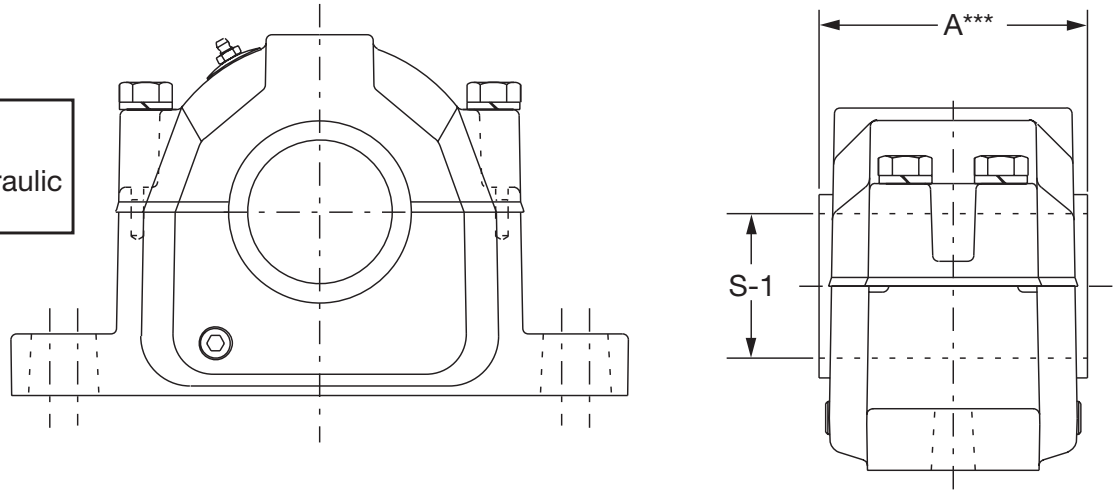
FEATURES/BENEFITS PAGE B15-3	SPECIFICATION/HOW TO ORDER PAGE B15-7	NOMENCLATURE PAGE B15-8	SELECTION PAGE B15-13
---------------------------------	--	----------------------------	--------------------------



SELECTION/DIMENSIONS

USAF 500 Air Handling Pillow Blocks with LER Seals

LUBE NOTE:
All Sizes Use A
1/8-27 NPT Hydraulic
Grease Fitting



Shaft Dia S-1	Complete Pillow Block Part No.	Housing W/ Stab Ring Part No.	Bearing Part No.	Dynamic Capacity (C), lbs.	Max Rpm LER (Grease)	SNW Part No.	# LER Part No.	End Cover Part No.
1-7/16	P2B509-USAF-107LERAH 035762	H2S-509-USAF 043995	BRG22209KC3 422980	24,500	5,600	H309-SNW-107 046350	08LER107 042193	EC08 040700
1-11/16	P2B510-USAF-111LERAH 035763	H2S-510-USAF 043996	BRG22210KC3 422981	26,000	5,300	H310-SNW-111 046351	10LER111 042199 *	EC10 040701
1-15/16	P2B511-USAF-115LERAH 035764	H2S-511-USAF 043997	BRG22211KC3 422982	31,500	4,500	H311-SNW-115 046352	12LER115 042512	EC12 040702
2-3/16	P2B513-USAF-203LERAH 035765	H2S-513-USAF 043998	BRG22213KC3 422983	45,500	3,800	H313-SNW-203 046353	14LER203 042513	EC14 040703
	P4B513-USAF-203LERAH 035775	H4S-513-USAF 039669	BRG22213KC3 422983	45,500	3,800	H313-SNW-203 046353	14LER203 042513	EC14 040703
2-7/16	P2B515-USAF-207LERAH 035766	H2S-515-USAF 044000	BRG22215KC3 422984	48,000	3,400	H315-SNW-207 046354	20LER207 042514	EC20 040704
	P4B515-USAF-207LERAH 035776	H4S-515-USAF 044003	BRG22215KC3 422984	48,000	3,400	H315-SNW-207 046354	20LER207 042514	EC20 040704
2-1/2	P2B515-USAF-208LERAH 035767	H2S-515-USAF 044000	BRG22215KC3 422984	48,000	3,400	H315-SNW-208 046355	20LER208 042515	EC20 040704
	P4B515-USAF-208LERAH 035777	H4S-515-USAF 044003	BRG22215KC3 422984	48,000	3,400	H315-SNW-208 046355	20LER208 042515	EC20 040704
2-11/16	P2B516-USAF-211LERAH 035768	H2S-516-USAF 044198	BRG22216KC3 422985	56,000	3,200	H316-SNW-211 046356	24LER211 042516	EC24 040705
	P4B516-USAF-211LERAH 035778	H4S-516-USAF 044007	BRG22216KC3 422985	56,000	3,200	H316-SNW-211 046356	24LER211 042516	EC24 040705
2-3/4	P2B516-USAF-212LERAH 035769	H2S-516-USAF 044198	BRG22216KC3 422985	56,000	3,200	H316-SNW-212 046357	24LER212 042517	EC24 040705
	P4B516-USAF-212LERAH 035779	H4S-516-USAF 044007	BRG22216KC3 422985	56,000	3,200	H316-SNW-212 046357	24LER212 042517	EC24 040705
2-15/16	P2B517-USAF-215LERAH 035770	H2S-517-USAF 044010	BRG22217KC3 422986	68,000	3,000	H317-SNW-215 046358	28LER215 042518	EC28 040706
	P4B517-USAF-215LERAH 035780	H4S-517-USAF 044013	BRG22217KC3 422986	68,000	3,000	H317-SNW-215 046358	28LER215 042518	EC28 040706

NOTE: LER seals are made from Aluminum unless otherwise noted by the * symbol.
If an * appears by the part number, the LER seal is manufactured from Steel.

FEATURES/BENEFITS PAGE B15-3	SPECIFICATION/HOW TO ORDER PAGE B15-7	NOMENCLATURE PAGE B15-8	SELECTION PAGE B15-13
---------------------------------	--	----------------------------	--------------------------



SELECTION/DIMENSIONS

USAF 500 Air Handling Pillow Blocks with LER Seals

Bearing Reference Guide

E-Family Roller Bearings

Specialty Tapered Products

S-2000

UNISPHERE II

IMPERIAL

UNIFIED SAF

Shaft Dia S-1	Complete Pillow Block Part No.	Housing W/ Stab Ring Part No.	Bearing Part No.	Dynamic Capacity (C), lbs.	Max Rpm LER (Grease)	SNW Part No.	# LER Part No.	End Cover Part No.
3	P2B517-USAF-300LERAH 035771	H2S-517-USAF 044010	BRG22217KC3 422986	68,000	3,000	H317-SNW-300 046359	28LER300 042519	EC28 040706
	P4B517-USAF-300LERAH 035781	H4S-517-USAF 044013	BRG22217KC3 422986	68,000	3,000	H317-SNW-300 046359	28LER300 042519	EC28 040706
3-3/16	P2B518-USAF-303LERAH 035772	H2S-518-USAF 044199	BRG22218KC3 422987	78,000	2,600	H318-SNW-303 046360	34LER303 042520	EC34 040707
	P4B518-USAF-303LERAH 035782	H4S-518-USAF 044114	BRG22218KC3 422987	78,000	2,600	H318-SNW-303 046360	34LER303 042520	EC34 040707
3-7/16	P2B520-USAF-307LERAH 035773	H2S-520-USAF 044020	BRG22220KC3 422988	96,500	2,200	H320-SNW-307 046361	46LER307 042521	EC46 040708
	P4B520-USAF-307LERAH 035783	H4S-520-USAF 044023	BRG22220KC3 422988	96,500	2,200	H320-SNW-307 046361	46LER307 042521	EC46 040708
3-1/2	P2B520-USAF-308LERAH 035774	H2S-520-USAF 044020	BRG22220KC3 422988	96,500	2,200	H320-SNW-308 046362	46LER308 042522	EC46 040708
	P4B520-USAF-308LERAH 035784	H4S-520-USAF 044023	BRG22220KC3 422988	96,500	2,200	H320-SNW-308 046362	46LER308 042522	EC46 040708
3-15/16	P4B522-USAF-315LERAH 035785	H4S-522-USAF 044025	BRG22222KC3 422989	122,000	2,000	H322-SNW-315 046363	50LER315 042523	EC50 040709
4	P4B522-USAF-400LERAH 035786	H4S-522-USAF 044025	BRG22222KC3 422989	122,000	2,000	H322-SNW-400 046364	50LER400 042524	EC50 040709
4-3/16	P4B524-USAF-403LERAH 035787	H4S-524-USAF 044202	BRG22224KC3 422990	143,000	1,900	H3124-SNW-403 046430	52LER403 042525	EC52 040710
4-7/16	P4B526-USAF-407LERAH 035788	H4S-526-USAF 044031	BRG22226KC3 422991	170,000	1,800	H3126-SNW-407 046431	54LER407 042526	EC54 040711
4-1/2	P4B526-USAF-408LERAH 035789	H4S-526-USAF 044031	BRG22226KC3 422991	170,000	1,800	H3126-SNW-408 046432	54LER408 042527	EC54 040711
4-15/16	P4B528-USAF-415LERAH 035790	H4S-528-USAF 044034	BRG22228KC3 422992	196,000	1,700	H3128-SNW-415 046433	56LER415 042528	EC56 040712
5	P4B528-USAF-500LERAH 035791	H4S-528-USAF 044034	BRG22228KC3 422992	196,000	1,700	H3128-SNW-500 046434	56LER500 042529	EC56 040712

NOTE: LER seals are made from Aluminum unless otherwise noted by the * symbol.

If an * appears by the part number, the LER seal is manufactured from Steel.

FEATURES/BENEFITS PAGE B15-3	SPECIFICATION/HOW TO ORDER PAGE B15-7	NOMENCLATURE PAGE B15-8	SELECTION PAGE B15-13
---------------------------------	--	----------------------------	--------------------------



SELECTION/DIMENSIONS

DODGE USAF Air Handling Bearing Assemblies Using 12XX Series Self Aligning Double Row Ball Bearing

Shaft Size	Housing Series	Housing Part No.		Bearing		SNW Part No.	Seal Part No. # LER (2-Req)	Stab Ring For Fixed Units		
		2-Bolt	4-Bolt	Part No.	Description			Description	Qty Req	Part No.
1-7/16	509	043995	---	052637	1209K.C3	046350	042193	SR-9-0	1	058902
1-11/16	510	043996	---	052638	1210K.C3	046351	042199 *	SR-10-8	1	058903
1-15/16	511	043997	---	052639	1211K.C3	046352	042512	SR-11-9	1	058699
2-3/16	513	043998	039669	052640	1213K.C3	046353	042513	SR-13	2	042316
2-7/16	515	044000	044003	052641	1215K.C3	046354	042514	SR-15-0	2	058904
2-11/16	516	044198	044007	052642	1216K.C3	046356	042516	SR-1516	2	058905
2-15/16	517	044010	044013	052643	1217K.C3	046358	042518	SR-1517	2	058906
3-3/16	518	044199	044114	052570	1218K.C3	046360	042520	SR-1518	2	058907
3-7/16	520	044020	044023	052644	1220K.C3	046361	042521	SR-1520	2	058908
3-15/16	522	---	044025	051841	1222K.C3	046363	042523	SR-1522	2	058909

Standard AH housings come with stabilizing ring for fixing spherical roller bearings.

With the use of the 12xx series ball bearings, if a fixed bearing is required, special stabilizing rings are needed.

Remove standard stab ring, which comes with housing, and replace with the above ball bearing stab rings.

The 4-3/16" unit is not available as fixed unit due to non-standard stab ring width. (2) special width.503-.057" would be needed.

In cases where two stab rings are needed, one should be placed on each side of the bearing.

* DODGE USAF Air Handling Bearing Assemblies use the USAF 500 Series Housings. See Page B15-36 - B15-39 for dimensions

NOTE: LER seals are made from Aluminum unless otherwise noted by the * symbol.

If an * appears by the part number, the LER seal is manufactured from Steel.

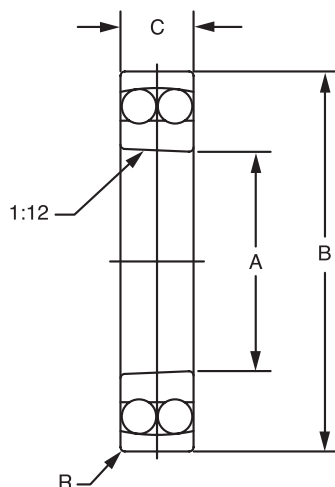
STABILIZING RING DIMENSIONS

Stab Ring	
O.D.	Width
3.31	.382-.386
3.51	.382-.386
3.9	.382-.386
4.68	.311-.315
5.08	.236-.232
5.47	.326-.330
5.87	.346-.350
6.26	.386-.390
7.04	.425-.429
7.83	.484-.488



SELECTION/DIMENSIONS

DODGE USAF Air Handling 1200 Series Self-Aligning Ball Bearing



Shaft Size	Bearing Series	e	F _A /F _R ≤ e	F _A /F _R > e	Dynamic Capacity C	Static Capacity C ₀	Maximum RPM	
			Y	Y			Grease	Oil
107	1209	0.21	3.0	4.7	4900	1660	7500	9000
111	1210	0.20	3.2	4.9	5100	1830	7000	8500
115	1211	0.19	3.3	5.1	6000	2240	6300	7500
203	1213	0.18	3.6	5.5	6950	2800	5300	6300
207	1215	0.17	3.6	5.6	8800	3450	4800	5600
211	1216	0.16	3.9	6.0	9000	3800	4300	5000
215	1217	0.17	3.7	5.8	11000	4550	4000	4800
303	1218	0.17	3.7	5.8	12900	5300	3800	4500
307	1220	0.18	3.6	5.5	15600	6700	3200	3800
315	1222	0.17	3.6	5.6	19600	8650	2800	3400
403	1224	0.20	3.11	4.81	27000	11800	2800	3400

NOTE:

$P_{eq} = F_R + YFA$ when $F_A / F_R \leq e$

$P_{eq} = 0.65 F_R + YFA$ when $F_A / F_R > e$

$$L_{10} = \left(\frac{C}{P}\right)^3 \times \left(\frac{16667}{RPM}\right)$$

NOTE: For more information, see Page B15-36 thru B15-39

Shaft	Housing	Bearing No	A		B		C		R	
			Inch	(mm)	Inch	(mm)	Inch	(mm)	Inch	(mm)
107	509	1209K.C3	1.7717	45	3.3465	85	0.7480	19	0.043	1.1
111	510	1210K.C3	1.9685	50	3.5433	90	0.7874	20	0.043	1.1
115	511	1211K.C3	2.1654	55	3.9370	100	0.8268	21	0.059	1.5
203	513	1213K.C3	2.5591	65	4.7244	120	0.9055	23	0.059	1.5
207	515	1215K.C3	2.9528	75	5.1181	130	0.9843	25	0.059	1.5
211	516	1216K.C3	3.1496	80	5.5118	140	1.0236	26	0.079	2.0
215	517	1217K.C3	3.3465	85	5.9055	150	1.1024	28	0.079	2.0
303	518	1218K.C3	3.5433	90	6.2992	160	1.1811	30	0.079	2.0
307	520	1220K.C3	3.9370	100	7.0866	180	11.3386	34	0.083	2.1
315	522	1222K.C3	4.3307	110	7.8740	200	1.4960	38	0.083	2.1
403	524	1224K.C3	4.7244	120	8.4646	215	1.6535	42	0.083	2.1

FEATURES/BENEFITS PAGE B15-3	SPECIFICATION/HOW TO ORDER PAGE B15-7	NOMENCLATURE PAGE B15-8	SELECTION PAGE B15-13
---------------------------------	--	----------------------------	--------------------------



SELECTION/DIMENSIONS

How to Order USAF Smart Stock Selections

Step 1: The Housing Choices

All smart housings feature an embedded thermocouple.

When speed is monitored, select cast-closed end.

For temperature and/or vibration monitoring without speed, both sides open may be selected

For speed, as well as temperature and vibration monitoring, select cast closed end.

Stab rings are included with all housings.

Size	Housing Series	4B Both Sides Open Part No.	4B Cast Close End Part No.
207	515	067501	067503
215	517	067509	067511
307	520	067517	067519
315	522	067520	067521
407	526	055572	055654
415	528	055734	055906
515	534	057958	055881
615	538	055876	057966

Step 2: The Sensor Choices

For speed monitoring use AC prox

AND/OR For temperature monitoring, use thermocouple transmitter

USAF Sensor Kits	Part No.
AC Prox	055940
Thermocouple Transmitter	055931
4 - 20 ma Accelerometer and Thermocouple	067576

Step 3: Other Parts You Will Need To Order

If monitoring speed, you will need a special SNW. If you are not monitoring speed, you can use a standard SNW. Special SNW's feature a modified nut with prox targets

Bearings			Adapters			Seals				
Size	Bearing Series	Part No.	Size	Special SNW Part No.	Standard SNW Part No.	Size	TRIPLE-TECT Part No.	Drop-In TRIPLE-TECT Part No.	LER Part No.	Taconite Part No.
207	22215K	422001	207	055740	046354	207	043542	039538	042514	042380
215	22217K	422005	215	055710	046358	215	043546	039530	042518	042382
307	22220K	422009	307	055714	046361	307	043549	039859	042521	042383
315	22222K	422011	315	055712	046363	315	043551	039861	042523	042384
407	22226K	422015	407	055716	046431	407	043554	039864	042526	042385
415	22228K	422017	415	055907	046433	415	043556	039866	042528	042387
515	22234K	422023	515	055898	043620	515	043560	N/A	042533	042389
615	22238K	422027	615	067326	043624	615	043564	N/A	042537	042392

For additional details on DODGE Smart Bearings, see brochure DMR 2026-6

FEATURES/BENEFITS PAGE B15-3	SPECIFICATION/HOW TO ORDER PAGE B15-7	NOMENCLATURE PAGE B15-8	SELECTION PAGE B15-13
---------------------------------	--	----------------------------	--------------------------



SELECTION/DIMENSIONS

SAF-XT and SAFS Spherical Roller Bearings

DODGE SAF-XT, and SAFS Spherical Roller Bearings have the capacity to carry heavy radial loads, thrust loads and combined radial and thrust loads. The maximum recommended load which can be applied is limited by various components in the system such as bearing, housing, shaft, shaft attachment, speed and life requirements as listed in this catalog. DODGE Spherical Roller Bearings have been applied successfully when these limits have been exceeded under controlled operating conditions. Contact DODGE Application Engineering (864-284-5700) for applications which exceed the recommendations of this catalog.

Select a bearing from the SAF-XT, and SAFS Spherical Roller Bearing Selection Chart having a radial load rating at the operating speed equal to or greater than the calculated Equivalent Radial Load for a desired L_{10} life. This simple method is all that is required for the majority of general applications and provides for occasional average shock loads.

L_{10} Hours Life - The life which may be expected from at least 90% of a given group of bearings operating under identical conditions.

For L_{10} hours life other than those listed in the selection chart, multiply the Equivalent Radial Load by one of the following factors. For 20,000 L_{10} hours life use factor of .88; 40,000, 1.09; 60,000, 1.23; 80,000, 1.34. Then select a bearing from the bold face (30,000) L_{10} ratings only in the selection chart having a rating equal to or greater than this value.

Heavy Service - For heavy shock loads, frequent shock loads, or severe vibrations, add up to 50% (according to severity of conditions) to the Equivalent Radial Load to obtain a Modified Equivalent Radial Load. Consult DODGE Application Engineering for additional selection assistance.

Thrust load values shown in the table below are recommended as a guide for general applications that will give adequate L_{10} life. Where substantial radial load is also present, it is advisable to calculate actual L_{10} life to assure that it meets the requirements. The maximum thrust load should not exceed SAF-XT adapter maximum allowable thrust load (Table 8 on page B15-57) nor the pillow block limits shown on page B15-58. The effectiveness of the shaft attachment to carry thrust load depends on proper tightening of the adapter and shaft deflections.

RPM	20-200	201 - 2000	Over2000
RECOMMENDED THRUST LOAD	C/20	C/40	C/60

* Compare thrust load to adapter maximum allowed thrust load. If this value is exceeded, auxiliary method of carrying thrust load is required.

The shaft tolerances recommended (page B15-9) are adequate for normal radial and radial/thrust load applications. Since the allowable load, especially at a low speed, is very large, the shaft should be checked to assure adequate shaft strength.

The magnitude and direction of both the thrust and radial load must be taken into account when selecting a housing. When pillow blocks are utilized, heavy loads should be directed through the base. Where uplift loads are involved, consult DODGE Applications Engineering for recommendations. Where a load pulls the housing away from the mounting base, both the hold-down bolts and housing must be of adequate strength. Auxiliary load carrying devices such as shear bars are advisable for side or end loading of pillow blocks.

To determine the L_{10} hours life for loads and RPM's not listed, use the following equation:

$$L_{10} \text{ Life, Hours} = \left(\frac{C}{P} \right)^{10/3} \times \left(\frac{16667}{\text{RPM}} \right)$$

Where:

C = Dynamic Capacity (Table 14 on page B15-76), lbs.

P = Equivalent Radial Load, lbs.

FEATURES/BENEFITS PAGE B15-3	SPECIFICATION/HOW TO ORDER PAGE B15-7	NOMENCLATURE PAGE B15-8	SELECTION PAGE B15-13
---------------------------------	--	----------------------------	--------------------------



SELECTION/DIMENSIONS

SAF-XT/SAFS Bearings

When the load on a two row roller bearing is solely a radial load with no thrust (axial) load, the load is shared equally by both rows of rollers and the equivalent radial load (P) is equal to the actual radial load. However, when a thrust load is applied, the loading on the two rows is shared unequally, depending on the ratio of thrust to radial load. The use of the X (radial factor) and Y (thrust factor) from Table 8 converts the actual applied loads to an equivalent radial load having the same effect on the life of the bearing as a radial load of this magnitude.

Equation 1

The equivalent radial load $P = XFR + YFA$

Where:

P = Equivalent radial load, lbs

F_R = Radial load, lbs.

F_A = Thrust (axial) load, lbs. (** See Note below)

e = Thrust load or radial load factor (Table 14)

X = Radial load factor (Table 14)

Y = Thrust load factor (Table 14)

To find X and Y, first calculate F_A/F_R and compare to e. Determine X and Y from Table 10: Light thrust F_A/F_R less than or equal to e or heavy thrust F_A/F_R greater than e.

Substitute all known values into the equivalent radial load equation. P (equivalent radial load) thus determined can be used in the life formula to determine L_{10} , or it can be compared to the allowable equivalent radial load ratings for the speed and hours life desired in the expanded rating table on B15-58 and B15-59.

****NOTE:** Spherical bearings require a radial load at least equal to the thrust load for proper operation $F_A/F_R = 1$. If the thrust load exceeds this limit, consult DODGE Application Engineering.

L_{10} Life Adjustment - The calculated L_{10} life obtained from the above procedure is subject to life adjustment factors in accordance with ABMA standards. Consult DODGE Application Engineering for assistance.

Bearing Reference Guide

E-Family Roller Bearings

Specialty Tapered Products

S-2000

UNISPHERE II

IMPERIAL

UNIFIED SAF

FEATURES/BENEFITS PAGE B15-3	SPECIFICATION/HOW TO ORDER PAGE B15-7	NOMENCLATURE PAGE B15-8	SELECTION PAGE B15-13
---------------------------------	--	----------------------------	--------------------------



SELECTION/DIMENSIONS

SAF-XT/SAFS Bearings

Table 8: Radial and Thrust Factors

Shaft Size Inch	Basic Bearing Description	e	$F_A/F_R \leq e$		$F_A/F_R \geq e$		★ Adapter. Max. Allow. Thrust Load F_A (LBS.)	Dynamic Capacity (C) Lbs.	Static Capacity Co Lbs.	Max. Rpm	
			X	Y	X	Y				Grease	Oil ▲
1-15/16	22211K	0.23	1.00	2.90	0.67	4.30	927	31,500	32,500	4500	5600
2-3/16	22213K	0.24	1.00	2.80	0.67	4.20	1359	45,500	47,500	3800	4500
2-7/16, 2-1/2	22215K	0.22	1.00	3.10	0.67	4.60	1568	48,000	53,000	3400	4300
2-11/16, 2-3/4	22216K	0.22	1.00	3.10	0.67	4.60	1780	56,000	60,000	3200	4000
2-15/16, 3	22217K	0.22	1.00	3.00	0.67	4.50	2063	68,000	73,500	3000	3800
3-3/16	22218K	0.23	1.00	2.90	0.67	4.30	2429	78,000	85,000	2600	3400
3-7/16, 3-1/2	22220K	0.24	1.00	2.80	0.67	4.20	3102	96,500	106,000	2200	3000
3-15/16, 4	22222K	0.25	1.00	2.70	0.67	4.10	3931	122,000	134,000	2000	2800
4-3/16	22224K	0.25	1.00	2.70	0.67	4.00	4693	143,000	166,000	1900	2400
4-7/16, 4-1/2	22226K	0.26	1.00	2.60	0.67	3.90	5610	170,000	200,000	1800	2200
4-15/16, 5	22228K	0.25	1.00	2.70	0.67	4.00	6419	196,000	236,000	1700	2000
5-3/16	22230K	0.25	1.00	2.70	0.67	4.00	7383	228,000	275,000	1600	1900
5-7/16, 5-1/2	22232K	0.26	1.00	2.60	0.67	3.90	8630	260,000	315,000	1500	1800
5-15/16, 6	22234K	0.26	1.00	2.60	0.67	3.90	9858	300,000	355,000	1300	1700
6-7/16, 6-1/2	22236K	0.25	1.00	2.70	0.67	4.00	10437	305,000	375,000	1300	1600
6-15/16, 7	22238K	0.28	1.00	2.40	0.67	3.60	11786	270,000	415,000	1200	1300
7-1/2, 7-15/16, 8	22244K	0.29	1.00	2.30	0.67	3.50	16020	365,000	550,000	950	1000
8-7/16, 8-1/2, 8-15/16, 9	23048K	0.25	1.00	2.70	0.67	4.10	14887	260,000	490,000	800	1000
9-7/16, 9-1/2	23052K	0.26	1.00	2.60	0.67	3.90	18232	340,000	630,000	750	950
9-15/16, 10, 10-7/16, 10-1/2	23056K	0.25	1.00	2.70	0.67	4.10	20012	345,000	670,000	700	900

Comparing Spherical to Tapered Roller Bearing: The dynamic capacity C (spherical) and C90 (taper) are not to the same base. To compare basic dynamic capacities multiply C x .259 and compare to C90. To select and then compare, use the complete selection procedure for each bearing and then compare

- ▲ For shaft size 1-7/16 through 4-3/16 inclusive TRIPLE-TECT seals will perform like LER seals when operating above the grease speed limit
- ★ If thrust load exceeds adapter maximum allowable thrust load, auxiliary method of carrying thrust load required.

FEATURES/BENEFITS PAGE B15-3	SPECIFICATION/HOW TO ORDER PAGE B15-7	NOMENCLATURE PAGE B15-8	SELECTION PAGE B15-13
---------------------------------	--	----------------------------	--------------------------



SELECTION/DIMENSIONS

SAF-XT and SAFS Spherical Roller Bearings

Table 9: Selection Table

Shaft Size		L ₁₀ Life Hours	Allowable Equivalent Radial Load Rating (Lbs.) at Various Revolutions Per Minute															
Adapter Mount (Inches)	Bearing Series		50	100	250	500	750	950	1,300	1,500	1,800	2,000	2,600	3,000	3,200	3,400	4500	5,600
1-15/16	22211	10,000	11,355	9,223	7,006	5,691	5,039	4,694	4,273	4,093	3,875	3,755	3,470	3,325	3,261	3,202	2,944	2,757
		30,000	8,167	6,633	5,039	4,093	3,624	3,376	3,073	2,944	2,787	2,700	2,496	2,391	2,345	2,303	2,117	1,983
		60,000	6,633	5,388	4,093	3,325	2,944	2,742	2,496	2,391	2,264	2,193	2,027	1,942	1,905	1,871	1,720	1,611
2-3/16	22213	10,000	16,401	13,322	10,120	8,220	7,279	6,780	6,171	5,912	5,597	5,423	5,013	4,802	4,710	4,625	4,252	
		30,000	11,796	9,581	7,279	5,912	5,235	4,877	4,439	4,252	4,026	3,901	3,605	3,454	3,388	3,327	3,058	
		60,000	9,581	7,783	5,912	4,802	4,252	3,961	3,605	3,454	3,270	3,168	2,928	2,805	2,752	2,702	2,484	
2-7/16 2-1/2	22215	10,000	17,302	14,054	10,676	8,672	7,679	7,153	6,511	6,237	5,905	5,721	5,288	5,066	4,969	4,879		
		30,000	12,444	10,108	7,679	6,237	5,523	5,145	4,683	4,486	4,247	4,115	3,803	3,644	3,574	3,509		
		60,000	10,108	8,210	6,237	5,066	4,486	4,179	3,803	3,644	3,450	3,342	3,089	2,959	2,903	2,850		
2-11/16 2-3/4	22216	10,000	20,186	16,396	12,456	10,117	8,958	8,345	7,596	7,276	6,889	6,675	6,170	5,910	5,797	5,692		
		30,000	14,518	11,793	8,958	7,276	6,443	6,002	5,463	5,233	4,955	4,801	4,437	4,251	4,169	4,094		
		60,000	11,793	9,579	7,276	5,910	5,233	4,875	4,437	4,251	4,025	3,899	3,604	3,453	3,387	3,325		
2-15/16 3	22217	10,000	24,512	19,910	15,125	12,285	10,878	10,133	9,223	8,836	8,365	8,105	7,492	7,177	7,039	6,912		
		30,000	17,629	14,320	10,878	8,836	7,824	7,288	6,634	6,355	6,017	5,829	5,388	5,162	5,063	4,971		
		60,000	14,320	11,631	8,836	7,177	6,355	5,920	5,388	5,162	4,887	4,735	4,377	4,193	4,112	4,038		
3-3/16	22218	10,000	28,116	22,838	17,349	14,092	12,478	11,623	10,580	10,135	9,596	9,297	8,593	8,232	8,074	7,929		
		30,000	20,222	16,425	12,478	10,135	8,974	8,360	7,609	7,289	6,901	6,687	6,180	5,921	5,807	5,703		
		60,000	16,425	13,342	10,135	8,232	7,289	6,790	6,180	5,921	5,606	5,431	5,020	4,809	4,717	4,632		
3-7/16 3-1/2	22220	10,000	34,785	28,254	21,464	17,434	15,437	14,380	13,089	12,539	11,871	11,502	10,631	10,185				
		30,000	25,018	20,321	15,437	12,539	11,103	10,343	9,414	9,018	8,538	8,273	7,646	7,325				
		60,000	20,321	16,506	12,539	10,185	9,018	8,401	7,646	7,325	6,935	6,719	6,211	5,950				
3-15/16 4	22222	10,000	43,977	35,720	27,135	22,041	19,516	18,180	16,548	15,852	15,008	14,541	13,441					
		30,000	31,629	25,691	19,516	15,852	14,037	13,076	11,901	11,401	10,794	10,459	9,667					
		60,000	25,691	20,868	15,852	12,876	11,401	10,621	9,667	9,261	8,768	8,495	7,852					
4-3/16	22224	10,000	51,547	41,869	31,806	25,835	22,876	21,310	19,396	18,581	17,592	17,045						
		30,000	37,074	30,113	22,876	18,581	16,453	15,326	13,950	13,364	12,652	12,259						
		60,000	30,113	24,460	18,581	15,092	13,364	12,449	11,331	10,855	10,277	9,957						
4-7/16 4-1/2	22226	10,000	61,279	49,774	37,812	30,712	27,195	25,333	23,058	22,089	20,913	20,263						
		30,000	44,074	35,799	27,195	22,089	19,559	18,220	16,584	15,887	15,041	14,573						
		60,000	35,799	29,078	22,089	17,942	15,887	14,799	13,470	12,904	12,217	11,837						
4-15/16 5	22228	10,000	70,652	57,387	43,594	35,410	31,354	29,208	26,585	25,467	24,112	23,362						
		30,000	50,814	41,274	31,354	25,467	22,551	21,007	19,120	18,317	17,342	16,802						
		60,000	41,274	33,525	25,467	20,686	18,317	17,063	15,530	14,878	14,086	13,648						
5-3/16	22230	10,000	82,187	66,756	50,712	41,191	36,473	33,976	30,925	29,625	28,049	27,176						
		30,000	59,111	48,013	36,473	29,625	26,232	24,436	22,242	21,307	20,173	19,545						
		60,000	48,013	38,998	29,625	24,063	21,307	19,849	18,066	17,307	16,386	15,876						
5-7/16 5-1/2	22232	10,000	93,722	76,126	57,829	46,972	41,592	38,745	35,265	33,783	31,985							
		30,000	67,407	54,751	41,592	33,783	29,914	27,866	25,364	24,298	23,004							
		60,000	54,751	44,472	33,783	27,441	24,298	22,634	20,602	19,736	18,685							

Note: Dark Shaded Areas Require Circulating Oil

Light Shaded Areas Require Static Oil

FEATURES/BENEFITS PAGE B15-3	SPECIFICATION/HOW TO ORDER PAGE B15-7	NOMENCLATURE PAGE B15-8	SELECTION PAGE B15-13
---------------------------------	--	----------------------------	--------------------------



SELECTION/DIMENSIONS

SAF-XT and SAFS Spherical Roller Bearings

Table 9 (Continued): Selection Table

Shaft Size		L ₁₀ Life Hours	Allowable Equivalent Radial Load Rating (Lbs.) at Various Revolutions Per Minute															
Adapter Mount (Inches)	Bearing Series		50	100	250	500	750	950	1,300	1,500	1,800	2,000	2,600	3,000	3,200	3,400	4500	5,600
5 -15/16 6	22234	10,000	108,140	87,837	66,726	54,199	47,991	44,706	40,691	38,981								
		30,000	77,777	63,175	47,991	38,981	34,516	32,153	29,266	28,036								
		60,000	63,175	51,314	38,981	31,662	28,036	26,117	23,771	22,772								
6 -7/16 6 1/2	22236	10,000	109,943	89,301	67,838	55,102	48,791	45,451	41,369	39,631								
		30,000	79,073	64,227	48,791	39,631	35,092	32,689	29,753	28,503								
		60,000	64,227	52,169	39,631	32,190	28,503	26,552	24,167	23,152								
6 -15/16 7	22238	10,000	97,326	79,053	60,054	48,779	43,192	40,235	36,622									
		30,000	69,999	56,857	43,192	35,083	31,065	28,938	26,339									
		60,000	56,857	46,182	35,083	28,496	25,232	23,505	21,394									
7 -3/16	22240	10,000	108,140	87,837	66,726	54,199	47,991	44,706										
		30,000	77,777	63,175	47,991	38,981	34,516	32,153										
		60,000	63,175	51,314	38,981	31,662	28,036	26,117										
7 -1/2 7 -15/16 8	22244	10,000	131,571	106,869	81,184	65,942	58,389	54,392										
		30,000	94,629	76,862	58,389	47,427	41,995	39,120										
		60,000	76,862	62,432	47,427	38,522	34,110	31,775										
8 -7/16 8 -15/16 9	23048	10,000	93,722	76,126	57,829	46,972	41,592	38,745										
		30,000	67,407	54,751	41,592	33,783	29,914	27,866										
		60,000	54,751	44,472	33,783	27,441	24,298	22,634										
9 -7/16 9-1/2	23052	10,000	122,559	99,549	75,623	61,425	54,390	50,666										
		30,000	88,147	71,598	54,390	44,178	39,118	36,440										
		60,000	71,598	58,155	44,178	35,884	31,774	29,599										
9 -15/16 10 10 -7/16 10-1/2	23056	10,000	124,361	101,013	76,735	62,328	55,190											
		30,000	89,444	72,651	55,190	44,828	39,694											
		60,000	72,651	59,011	44,828	36,412	32,241											

Note: Dark Shaded Areas Require Circulating Oil
Light Shaded Areas Require Static Oil

FEATURES/BENEFITS PAGE B15-3	SPECIFICATION/HOW TO ORDER PAGE B15-7	NOMENCLATURE PAGE B15-8	SELECTION PAGE B15-13
---------------------------------	--	----------------------------	--------------------------

Bearing Reference Guide
 E-Family Roller Bearings
 Specialty Tapered Products
 S-2000
 UNISPHERE II
 IMPERIAL
 UNIFIED SAF



SELECTION/DIMENSIONS

Pillow Block Housing Permissible Thrust Load*

(lbs Maximum)

Shaft Size - Inches	HSG. No.	Bearing Type			
		SAF-XT		SAFS	
		2-Bolt	4-Bolt	2-Bolt	4-Bolt
1-3/16	507	-	-	2900	-
1-7/16	509	-	-	3100	-
1-11/16	510	-	-	2800	-
1-15/16	511	4700	-	4600	-
2-3/16	513	4800	-	4800	-
2-7/16, 2-1/2	515	4500	5600	4500	5600
2-11/16, 2-3/4	516	6900	9300	6900	9300
2-15/16, 3	517	6500	8700	6500	8700
3-3/16	518	6600	9000	6600	9000
3-7/16, 3-1/2	520	5500	13400	5500	13400
3-15/16, 4	522	-	13300	-	13300
4-3/16	524	-	12500	-	12500
4-7/16, 4-1/2	526	-	9700	-	9800
4-15/16, 5	528	-	14700	-	14700
5-3/16	530	-	14800	-	14800
5-7/16, 5-1/2	532	-	14000	-	14000
5-15/16, 6	534	-	14400	-	14300
6-7/16, 6-1/2	536	-	14200	-	14300
6-15/16, 7	538	-	22800	-	22800
7-1/2, 7-15/16, 8	544	-	32000	-	32000
8-7/16, 8-1/2, 8-15/16, 9	48	-	23000	-	23000
9-7/16, 9-1/2	52	-	32000	-	32000
9-15/16, 10, 10-7/16, 10-1/2	56	-	55000	-	59000

1. When utilizing heavy thrust loads on pillow block housings, the installation will require proper mounting procedures.
2. The pillow block base bolts must be of adequate strength (Grade 8) and properly tightened to the mounting structure.
3. The use of stop bars (shear strips) against pillow block mounting base is required.
4. Shaft shoulder, snap rings or thrust collars should be used to locate the inner ring on the shaft.
5. In all cases where thrust loads are large, the L_{10} Life of the bearing should be checked for proper selection and life requirements.

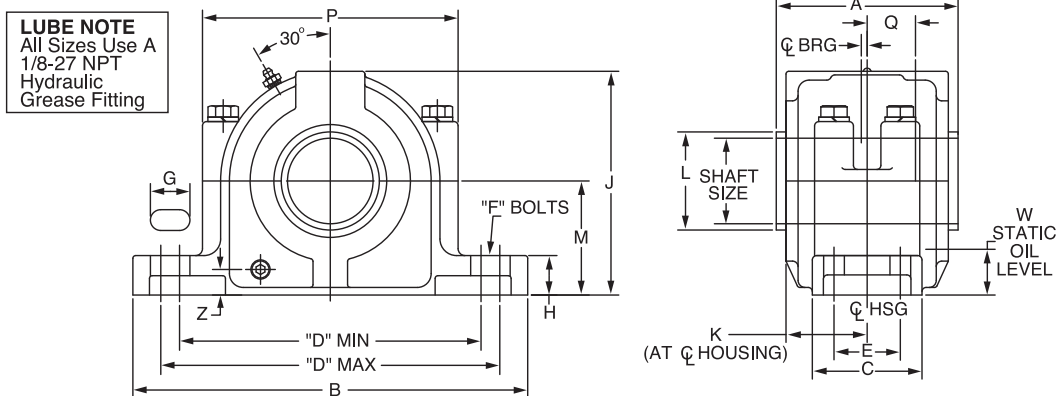
* Spherical bearings require a radial load at least equal to the thrust load for proper operation $F_R/F_R \leq 1$. If the thrust load exceeds this limit, consult DODGE Application Engineering.

FEATURES/BENEFITS PAGE B15-3	SPECIFICATION/HOW TO ORDER PAGE B15-7	NOMENCLATURE PAGE B15-8	SELECTION PAGE B15-13
---------------------------------	--	----------------------------	--------------------------



SELECTION/DIMENSIONS

SAFS Steel Housing Pillow Blocks (22200K/2300K ADAPTER MOUNT BEARING)



Shaft Size Inch ▲	Housing No.	Part Numbers				Approx. Wt. lbs.	A with Seals			B	C
		SAFS 2-Bolt		SAFS 4-Bolt			Std. TRIPLE-TECT	Optional			
		Complete Pillow Block ★	Housing Only	Complete Pillow Block ★	Housing Only			LER/ER	Aux.		
2-7/16	515	042400	042425	042410	042428	24	5.16	4.67	7.44	11.25	3.13
2-1/2	515	042401	042425	042411	042428						
2-11/16	516	042407	044231	042408	044232	32	5.42	4.80	7.63	13.00	3.50
2-3/4	516	042420	044231	042421	044232						
2-15/16	517	042402	042433	042412	042436	35	5.61	4.98	7.80	13.00	3.50
3	517	042403	042433	042413	042436						
3-3/16	518	042424	044233	042430	044234	44	6.14	5.63	8.00	13.75	3.88
3-7/16	520	042404	042440	042414	042443						
3-1/2	520	042405	042440	042415	042443	74	6.41	5.81	8.50	15.25	4.38
3-15/16	522	-	-	042416	042450						
4	522	-	-	042417	042450	97	6.86	6.38	8.64	16.50	4.75
4-3/16	524	-	-	042432	044235	120	8.03	7.44	8.89	16.50	4.75
4-7/16	526	-	-	042568	042455						
4-1/2	526	-	-	042575	042455	160	8.47	7.88	9.45	18.38	5.13
4-15/16	528	-	-	042569	042460						
5	528	-	-	042576	042460	175	8.09	7.50	10.33	20.13	5.88
5-3/16	530	-	-	042439	044236						
5-7/16	532	-	-	042570	042465	245	9.22	8.63	10.45	22.00	6.25
5-1/2	532	-	-	042577	042465						
5-15/16	534	-	-	042571	042469	310	9.91	9.13	11.88	24.75	6.75
6	534	-	-	042578	042469						
6-7/16	536	-	-	042572	042468	345	10.34	9.63	11.39	26.75	7.13
6-1/2	536	-	-	042579	042468						
6-15/16	538	-	-	042573	042472	400	10.84	10.13	11.16	28.00	7.50
7	538	-	-	042580	042472						
7-1/2	544	-	-	042446	042477	640	12.09	11.63	13.20	32.75	8.75
7-15/16	544	-	-	042581	042477						
8	544	-	-	042574	042477						

★ Includes: (1) housing with Spacers, (1) Standard Spherical Bearing, (1) SNW Assembly (SNP above 8") and (2) TRIPLE-TECT Seals unless otherwise noted.

▲ Sizes not listed will be quoted on application
SAFS 2-Bolt Pillow Block (P2B-SAFS - - -)
SAFS 4-Bolt Pillow Block (P4B-SAFS - - -)

FEATURES/BENEFITS PAGE B15-3	SPECIFICATION/HOW TO ORDER PAGE B15-7	NOMENCLATURE PAGE B15-8	SELECTION PAGE B15-13
---------------------------------	--	----------------------------	--------------------------



SELECTION/DIMENSIONS

SAFS Steel Housing Pillow Blocks

Bearing Reference Guide

E-Family Roller Bearings

Specialty Tapered Products

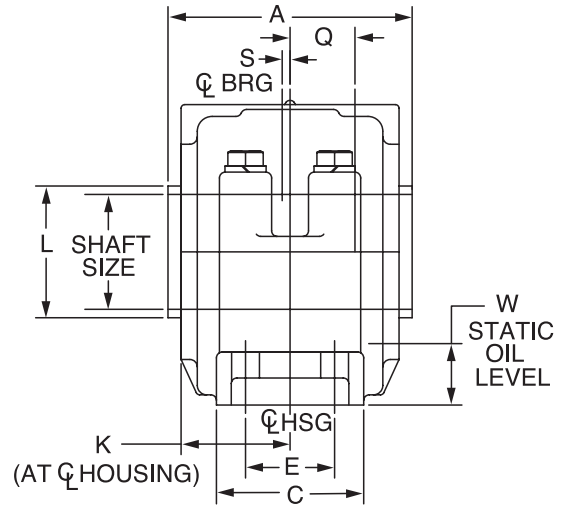
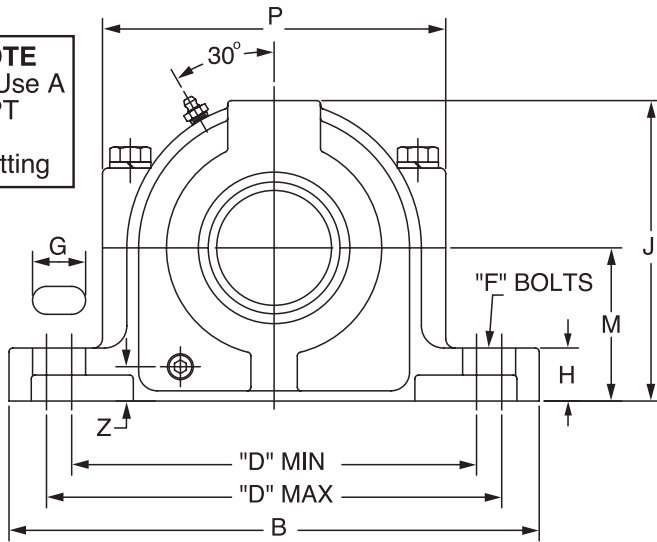
S-2000

UNISPHERE II

IMPERIAL

UNIFIED SAF

LUBE NOTE
All Sizes Use A
1/8-27 NPT
Hydraulic
Grease Fitting



FEATURES/BENEFITS PAGE B15-3	SPECIFICATION/HOW TO ORDER PAGE B15-7	NOMENCLATURE PAGE B15-8	SELECTION PAGE B15-13
---------------------------------	--	----------------------------	--------------------------



SELECTION/DIMENSIONS

SAFS Steel Housing Pillow Blocks

Shaft Size Inch	Dimension				E	Bolt Dia.		G	H	J	K	L ■	M	P	Q ◆	S ★	W	Z
	D					F												
	2-Bolt		4-Bolt			2B	4B											
	Min.	Max.	Min.	Max.														
2-7/16 2-1/2	8.75	9.50	8.63	9.63	1.88	5/8	1/2	1.13	1.25	6.44	2.31	2.80	3.25	7.06	1.34	0.13	1.16	0.63
2-11/16 2-3/4	10.13	10.63	9.88	10.88	2.13	3/4	5/8	1.25	1.50	6.88	2.38	3.17	3.50	8.00	1.47	0.19	1.25	0.63
2-15/16 3	10.25	10.75	10.00	11.00	2.13	3/4	5/8	1.13, 2B 1.25, 4B	1.50	7.38	2.47	3.42	3.75	8.25	1.56	0.19	1.38	0.75
3-3/16	10.75	11.25	10.50	11.50	2.13	3/4	5/8	1.25	1.63	7.75	2.75	3.69	4.00	8.25	1.70	0.19	1.47	0.69
3-7/16 3-1/2	11.88	12.63	11.75	12.75	2.38	7/8	3/4	1.38	1.75	8.75	2.91	3.83	4.50	9.81	1.89	0.19	1.64	0.94
3-15/16 4	-	-	12.88	14.13	2.75	-	3/4	1.50	2.00	9.63	3.13	4.33	4.94	10.63	2.08	0.19	1.80	1.13
4-3/16	-	-	13.25	14.50	2.75	-	3/4	1.50	1.75	10.25	3.66	4.59	5.25	11.50	2.22	0.19	1.84	1.00
4-7/16 4-1/2	-	-	14.50	16.00	3.25	-	7/8	1.75	2.50	11.56	3.88	4.94	6.00	12.81	2.41	0.19	2.34	1.28
4-15/16 5	-	-	15.63	17.38	3.78	-	1	2.00	2.50	12.00	3.69	5.36	6.00	13.56	2.53	0.19	2.03	1.19
5-3/16	-	-	16.75	18.50	3.75	-	1	2.00	2.50	12.81	4.06	5.77	6.31	14.50	2.69	0.19	2.03	1.19
5-7/16 5-1/2	-	-	17.38	19.13	3.75	-	1	2.00	2.75	13.69	4.25	5.88	6.69	15.13	2.89	0.19	2.09	1.22
5-15/16 6	-	-	19.38	21.63	4.25	-	1	2.00	2.88	14.56	4.63	6.44	7.06	16.81	3.13	0.19	2.19	1.56
6-7/16 6-1/2	-	-	21.38	23.13	4.63	-	1	2.00	3.00	15.25	4.81	6.80	7.50	17.19	3.08	0.19	2.42	1.09
6-15/16 7	-	-	22.13	23.88	4.50	-	1-1/4	2.25	3.13	16.13	5.13	7.38	7.88	17.08	3.23	0.19	2.53	1.31
7-1/2 7-15/16 8	-	-	25.13	27.88	5.25	-	1-1/2	3.00	3.88	19.25	5.75	7.44 8.33	9.50	20.75	3.64	0.19	3.25	1.88

◆ Distance shaft should extend beyond housing centerline of pillow block is closed end style.

★ Non-expansion bearing offset from centerline. For Expansion Bearing S = 0.

■ Based on TRIPLE-TECT seals.

FEATURES/BENEFITS PAGE B15-3	SPECIFICATION/HOW TO ORDER PAGE B15-7	NOMENCLATURE PAGE B15-8	SELECTION PAGE B15-13
---------------------------------	--	----------------------------	--------------------------

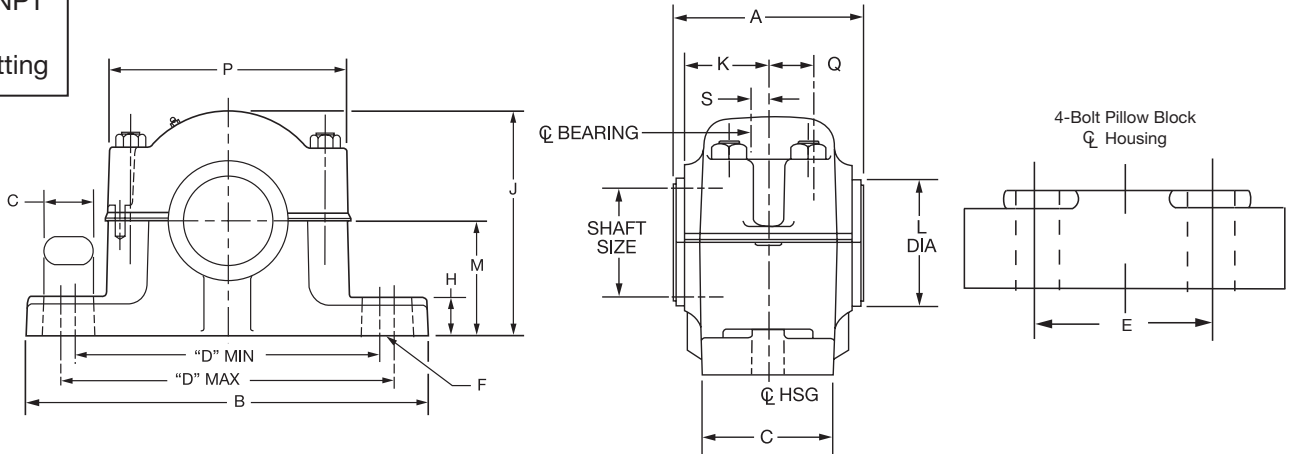


SELECTION/DIMENSIONS

SAF-XT Pillow Blocks - 2-Bolt Base (22200K Adapter Mount Bearings)

LUBE NOTE:

All Sizes Use
A 1/8-27 NPT
Hydraulic
Grease Fitting



(22200K Adapter Mount Bearing)

Shaft Size ▲ Inch	Complete Pillow Block Desig SAF-XT	Part No. ★	Wt.	A			B	C	D		Bolt Dia. F	G	H	J	K	L ▼	M	P	Q ◆	S CL of Housing to CL of Bearing	
				Std. TRIPLE-TECT	Optional				Min.	Max.										Exp. Block	Non-Exp. Block
					LER	AUX.															
1-15/16	22511	042001	17.3	4.14	3.6.3	5.55	9.63	2.75	7.50	7.75	5/8	0.88	0.94	5.25	1.84	2.30	2.75	5.63	0.97	0.19	0.30
2-3/16	22513	042002	23.8	4.53	4.00	5.81	11.00	3.13	8.25	9.38	5/8	1.31	1.00	5.94	2.03	2.55	3.00	6.41	1.13	0.25	0.39
2-7/16	22515	042003	29.7	4.91	4.42	7.44	11.25	3.13	8.75	9.50	5/8	1.12	1.25	6.44	2.19	2.80	3.25	7.00	1.20	0.16	0.27
2-1/2		042004	29.6																		
2-11/16	22516	042005	36.3	5.23	4.61	7.63	13.00	3.50	10.13	10.63	3/4	1.12	1.50	6.88	2.28	3.69	3.50	7.94	1.28	0.19	0.38
2-3/4		042006	36.1																		
2-15/16	22517	042007	42.3	5.48	4.86	7.88	13.00	3.50	10.25	10.75	3/4	1.12	1.50	7.38	2.41	3.42	3.75	7.94	1.38	0.19	0.38
3		042008	42.1																		
3-3/16	22518	042009	52.5	5.95	5.44	8.00	13.75	3.88	10.75	11.25	3/4	1.12	1.63	7.75	2.66	3.69	4.00	8.44	1.41	0.30	0.48
3-7/16	22520	042010	69.5	6.22	5.63	8.50	15.25	4.38	11.88	12.63	7/8	1.38	1.75	8.75	2.75	3.83	4.50	9.44	1.53	0.38	0.56
3-1/2		042011	69.2																		

▲ Sizes not listed will be quoted on application.

★ Furnished unless otherwise specified. Includes (1) Housing with Spacer, (1) Standard Spherical Bearing, (1) SNW Assembly and (2) TRIPLE-TECT Seals.

◆ Distance shaft should extend beyond housing centerline (C₁) if pillow block is closed end style.

▼ Dimensions shown with TRIPLE-TECT seals installed.

NOTE: SAF-XT Pillow Blocks use UNIFIED adaptors, seals and bearings. All UNIFIED 500 Series accessories are available for use with SAF-XT except Drop-In TRIPLE-TECT and SPLIT-SPHER which are UNIFIED exclusives.



SELECTION/DIMENSIONS

SAF-XT Pillow Blocks - 4-Bolt Base (22200K/23000K Adapter Mount Bearings)

Shaft Size ▲ Inch	Complete Pillow Block Design SAF-XT	Part No. ★ P4B-SFXT	Wt.	A			B	C	D		E	Bolt Dia. F	G	H	J	K	L ▼	M	P	Q ◆	S C _L of Housing to C _L of Bearing Exp Non-Exp	
				TRIPLE-TECT	Optional				Min.	Max.												
					LER	AUX.																
2-7/16	22515	042015	29.7	4.91	4.42	7.44	11.25	3.13	8.63	9.63	1.88	1/2	1.13	1.25	6.44	2.19	2.80	3.25	7.00	1.20	0.16	0.27
2-1/2		042016	29.6																			
2-11/16	22516	042017	36.3	5.23	4.61	7.63	13.00	3.50	9.08	10.88	2.13	5/8	1.25	1.50	6.88	2.28	3.17	3.50	7.94	1.28	0.19	0.38
2-3/4		042030	36.1																			
2-15/16	22517	042019	42.3	5.48	4.86	7.88	13.00	3.50	10.00	11.00	2.13	5/8	1.25	1.50	7.38	2.41	3.42	3.75	7.94	1.38	0.19	0.38
3		042020	42.1																			
3-3/16	22518	042021	52.5	5.95	5.44	8.00	13.75	3.88	10.50	11.50	2.13	5/8	1.25	1.63	7.75	2.66	3.69	4.00	8.44	1.41	0.59	0.48
3-7/16	22520	042022	69.5	6.22	5.63	8.50	15.25	4.38	11.75	12.75	2.38	3/4	1.38	1.75	8.75	2.75	3.83	4.50	9.44	1.53	0.38	0.56
3-1/2		042023	69.2																			
3-15/16	22522	042024	92.9	6.80	6.31	8.64	16.50	4.75	12.88	14.13	2.75	3/4	1.50	2.00	9.63	3.03	4.33	4.94	10.56	1.73	0.38	0.55
4		042025	92.6																			
4-3/16	22524	042270	101.8	6.97	6.38	8.89	16.50	4.75	13.25	14.50	2.75	3/4	1.50	1.75	10.25	3.06	4.59	5.25	10.81	1.81	0.42	0.61
4-7/16	22526	042271	148	7.41	6.81	9.45	18.38	5.13	14.50	16.00	3.25	7/8	1.75	2.50	11.69	3.28	4.94	6.00	11.63	1.95	0.45	0.64
4-1/2		042272	147.7																			
4-15/16	22528	042273	173.9	7.66	7.06	10.33	20.13	5.88	15.63	17.38	3.38	1	2.00	23.50	12.13	3.41	5.36	6.00	12.44	2.05	0.50	0.69
5		042274	173.6																			
5-3/16	22530	042282	215	7.97	7.38	10.64	21.25	6.25	16.75	18.50	3.75	1	2.00	2.50	12.31	3.56	5.77	6.31	13.56	2.14	0.56	0.75
5-7/16	22532	042283	245	8.28	7.69	10.45	22.00	6.25	17.38	19.13	3.75	1	2.00	2.75	13.69	3.72	5.88	6.69	14.19	2.33	0.58	0.77
5-1/2		042284	244																			
5-15/16	22534	042303	300	8.66	7.94	10.70	24.75	6.75	19.63	21.38	4.25	1	2.00	2.88	14.56	3.84	6.44	7.06	16.31	2.47	0.58	0.78
6		042304	299																			
6-7/16	22536	042305	372	8.84	8.13	11.39	26.75	7.13	21.38	23.13	4.63	1	2.00	3.00	15.25	3.94	6.80	7.50	17.88	2.53	0.55	0.75
6-1/2		042306	371																			
6-15/16	22538	042307	407	9.34	8.63	11.47	28.00	7.50	22.13	23.88	4.50	1-1/4	2.25	3.13	16.00	4.19	7.38	7.88	18.31	2.61	0.63	0.81
7		042308	406																			
7-1/2	22544	042309	626	10.66	9.94	13.20	32.75	8.75	25.13	27.88	5.25	1-1/2	3.00	3.88	19.25	4.84	7.94	9.50	20.63	2.92	0.72	0.72
7-15/16	22544	042370	625	10.66	9.94	13.20	32.75	8.75			5.25	1-1/2	3.00	3.88	19.25	4.84	8.33	9.50	20.63	2.92	0.72	0.72
8		042371	624																			
8-7/16	23048	042372†	408	10.50	9.06	12.58	28.75	8.00	22.50	25.00	5.00	1-1/4	2.75	3.25	17.06	4.41	9.33	8.25	18.31	2.94	0.78	0.78
8-1/2		042373	407																			
8-15/16		042374	406																			
9		042375	405																			
9-7/16	23052	042377	624	10.36	9.94	13.45	32.75	8.75	25.13	27.89	5.25	1-1/2	3.00	3.88	19.25	4.84	9.98	9.50	20.63	3.22	0.70	0.70
9-1/2		422556																				
9-15/16	2356	042378 •	707	13.77	12.50	15.70	32.00	11.25	25.75	27.75	7.25	1-3/4	2.88	4.00	19.88	6.16	10.38	9.50	20.75	3.81	0.88	0.88
10		042376																				
10-7/16		042379 •																				
10-1/2		422572 •																				

- ▲ Sizes not listed will be quoted on application.
- ◆ Distance shaft should extend beyond housing centerline (C_L) if pillow block is closed end style.
- ★ Includes (1) Housing with Spacer, (1) Standard Spherical Bearing, (1) SNW Assembly (SNP above 8,) and (2) TRIPLE-TECT Seals unless otherwise noted.
- ▼ Dimensions shown with TRIPLE-TECT seals installed.
- Made-To-Order - Consult DODGE for delivery
- † Assembled to order. Consult DODGE for delivery

NOTE: SAF-XT Pillow Blocks use USAF 500 adaptors, seals, and bearings. Part numbers for these individual components can be found on Pages B15-26 thru B15-39.
All USAF 500 Series accessories are available for use with SAF-XT except Drop-In TRIPLE-TECT seals and SPLIT-SPHER components which are UNIFIED exclusives

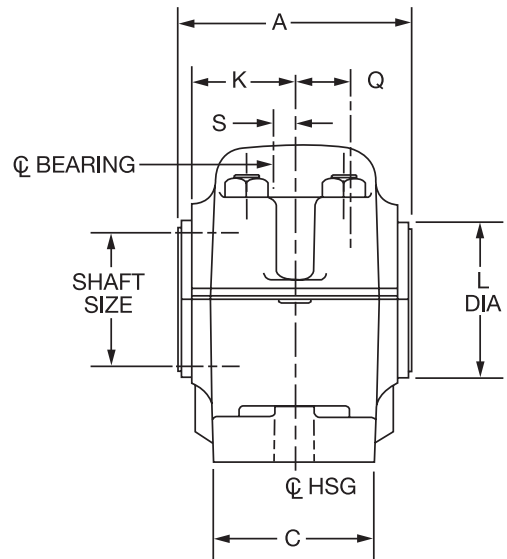
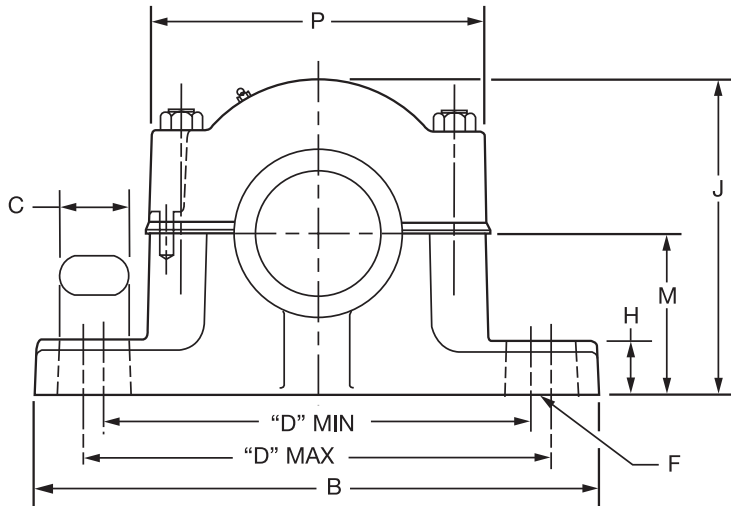
FEATURES/BENEFITS PAGE B15-3	SPECIFICATION/HOW TO ORDER PAGE B15-7	NOMENCLATURE PAGE B15-8	SELECTION PAGE B15-13
---------------------------------	--	----------------------------	--------------------------



SELECTION/DIMENSIONS

SAF-XT Pillow Blocks Housing

LUBE NOTE:
 All Sizes Use
 A 1/8-27 NPT
 Hydraulic Grease
 Fitting





SELECTION/DIMENSIONS

SAF-XT Pillow Blocks Housing

S-1 Size Inch (mm)	Shaft Housing	2-Bolt		4-Bolt	
		Part Number	Approx. Wt. (lbs.)	Part Number	Approx. Wt. lbs
1-15/16	511	042100	13.75	-	-
2-3/16	513	042103	18.00	-	-
(55,60)	513M	046323	18.00	-	-
2-7/16, 2-1/2	515	042106	22.75	042109	22
(65)	515M	046324	22.00	046325	22
2-11/16	516	042111	30.5	042114	30
2-3/4					
2-15/16	517	042116	31.5	042119	32
3					
3-3/16	518	042121	38	042124	40
3-7/16	520	042126	51.5	042129	52
3-1/2					
3-15/16	522	-	-	042131	68
4					
4-3/16	524	-	-	042134	70
(110)	524M			046326	
4-7/16	526	-	-	042137	108
4-1/2					
4-15/16	528	-	-	042140	143
5					
5-3/16	530	-	-	042143	120
5-7/16	532				
5-1/2					042146
5-15/16	534	-	-	042149	220
6					
6-7/16	536	-	-	042152	266
6-1/2					
6-15/16	538	-	-	042155	295
7					
7-1/2	544S	-	-	042167	443
7-15/16	544				
8					042158
8-7/16, 8-1/2	48	-	-	042161	308
8-15/16, 9					
9-7/16	52	-	-	422555	440
9-1/2					
9-15/16	56	-	-	042164	549
10					
10-7/16	056L	-	-	422571	620
10-1/2					

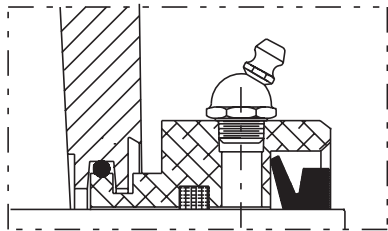
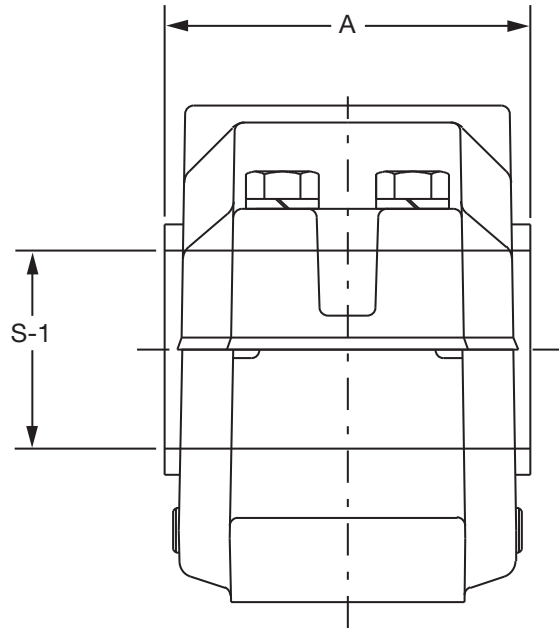
FEATURES/BENEFITS PAGE B15-3	SPECIFICATION/HOW TO ORDER PAGE B15-7	NOMENCLATURE PAGE B15-8	SELECTION PAGE B15-13
---------------------------------	--	----------------------------	--------------------------



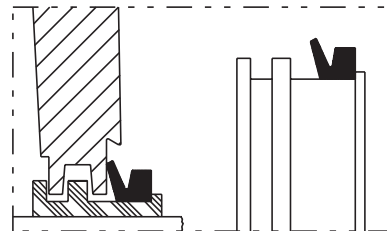
SELECTION/DIMENSIONS

SAF-XT & SAFS Pillow Block Seals

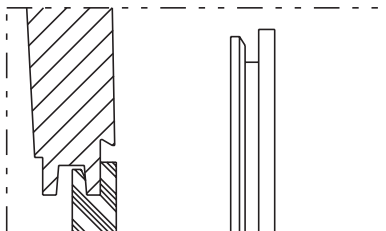
LENGTH THRU BORE W/SEALS



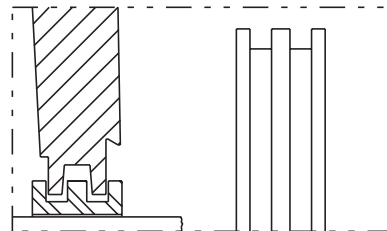
AUXILIARY TACONITE Seal
For dusty environments and low to moderate speeds



TRIPLE-TECT Seal
General purpose seal for wet or dirty environments



END COVER Seal
Allows use of open shaft housing as closed-end



LER SEAL
High speed seal for relatively clean environments

FEATURES/BENEFITS
PAGE B15-3

SPECIFICATION/HOW TO ORDER
PAGE B15-7

NOMENCLATURE
PAGE B15-8

SELECTION
PAGE B15-13



SELECTION/DIMENSIONS

SAF-XT & SAFS Pillow Block Seals

Bearing Reference Guide

E-Family Roller Bearings

Specialty Tapered Products

S-2000

UNISPHERE II

IMPERIAL

UNIFIED SAF

500 Seals - Inch						
S-1 Shaft Size (Inch)	Housing	Seal Group	Part Numbers			
			TRIPLE-TECT (TT)	# Metal Labyrinth (LER)	Auxiliary Taconite (AUX)	End Cover
1-15/16	511	12	043540	042512	041687	040702
2-3/16	513	14	043541	042513	041688	040703
2-7/16	515	20	043542	042514	042380	040704
2-1/2			043543	042515	040890	040704
2-11/16	516	24	043544	042516	042381	040705
2-3/4			043545	042517	040891	040705
2-15/16	517	28	043546	042518	042382	040706
3			043547	042519	040918	040706
3-3/16	518	34	043548	042520	040892	040707
3-7/16	520	46	043549	042521	042383	040708
3-1/2			043550	042522	040919	040708
3-15/16	522	50	043551	042523	042384	040709
4			043552	042524	040893	040709
4-3/16	524	52	043553	042525	044360	040710
4-7/16	526	54	043554	042526	042385	040711
4-1/2			043555	042527	042386	040711
4-15/16	528	56	043556	042528	042387	040712
5			043557	042529	040894	040712
5-3/16	530	58	043558	042530	-	040713
5-7/16	532	60	043559	042531	042388	040714
5-1/2			043574	042532	040895	040714
5-15/16	534	64	043560	042533	042389	040681
6			043561	042534	041646	040681
6-7/16	536	68	043562	042535	042390	040682
6-1/2			043563	042536	042391	040682
6-15/16	538	72	043564	042537	042392	040683
7			043565	042538	043109	040683
7-3/16	540	74	046421	043386	040690	040691
7-1/2	544S	76	043567	042539	040896	040684
7-15/16	544	78	043566	042540	042393	040685
8			043568	042541*	042394	040685
8-7/16	048	90	043569	042542*	040897	042368
8-1/2			043570	042543*	040898	042368
8-15/16			043571	042544*	040899	042368
9			043572	042545*	040995	042368
9-7/16	052	84	043538	042510*	040900	422606
9-1/2			422594	042594*	040901	422606
9-15/16	056	92	043575	042511*	-	042369
10			043573	041082*	042395	042369
10-7/16	056L	94	047940	042036*	-	042397
10-1/2			047941	422573*	042396	042397

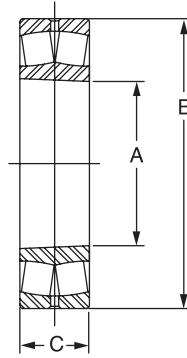
NOTE: LER seals are made from Aluminum unless otherwise noted by the * symbol.
If an * appears by the part number, the LER seal is manufactured from Steel.

FEATURES/BENEFITS PAGE B15-3	SPECIFICATION/HOW TO ORDER PAGE B15-7	NOMENCLATURE PAGE B15-8	SELECTION PAGE B15-13
---------------------------------	--	----------------------------	--------------------------



SELECTION/DIMENSIONS

SAF-XT & SAFS 22200K and 23000K Spherical Roller Bearings



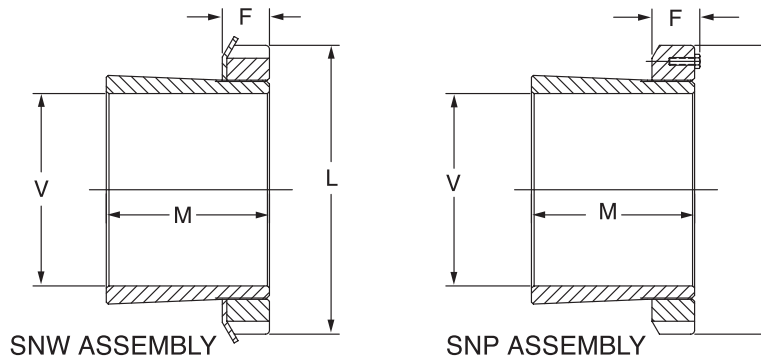
S-1 Shaft Size (Inch)	Housing	Bearing No.	Part No.	Approx. Wt. (lbs)	A Inch (mm)	B Inch (mm)	C Inch (mm)
1-15/16	511	22211K	422123	1.8	2.1654 (55)	3.9370 (100)	.9843 (25)
2-3/16	513	22213K	422124	3.2	2.5591 (65)	4.7244 (120)	1.2205 (31)
2-7/16 2-1/2	515	22215K	422001	3.6	2.9528 (75)	5.1181 (130)	1.2205 (31)
2-11/16 2-3/4	516	22216K	422003	4.4	3.1496 (80)	5.5188 (140)	1.2992 (33)
2-15/16 3	517	22217K	422005	5.5	3.3465 (85)	5.9055 (150)	1.4173 (36)
3-3/16	518	22218K	422007	7.0	3.5433 (90)	6.2992 (160)	1.5748 (40)
3-7/16 3-1/2	520	22220K	422009	10.4	3.9370 (100)	7.0866 (180)	1.8110 (46)
3-15/16 4	522	22222K	422011	14.9	4.3307 (110)	7.8740 (200)	2.0866 (53)
4-3/16	524	22224K	422013	18.7	4.7244 (120)	8.4646 (215)	2.2865 (58)
4-7/16 4-1/2	526	22226K	422015	23.4	5.1181 (130)	9.0551 (230)	2.5197 (64)
4-15/16 5	528	22228K	422017	29.5	5.5118 (140)	9.8425 (250)	2.6772 (68)
5-3/16	530	22230K	422019	37.5	5.9055 (150)	10.6299 (270)	2.8740 (73)
5-7/16 5-1/2	532	22232K	422021	48.1	6.2992 (160)	11.4173 (290)	3.1496 (80)
5-15/16 6	534	22234K	422023	58.0	6.6929 (170)	12.2047 (310)	3.3858 (86)
6-7/16 6-1/2	536	22236K	422025	60.8	7.0866 (180)	12.5984 (320)	3.3858 (86)
6-15/16 7	538	22238K	422027	78.9	7.4803 (190)	13.3858 (340)	3.6220 (92)
7-3/16	540	22240K	422064	94.1	7.8740 (200)	14.1732 (360)	3.8583 (98)
7-1/2	544S	22244K	422029	129.0	8.6614 (220)	14.7480 (400)	4.2520 (108)
7-15/16 8	544						
8-7/16 8-1/2 8-15/16 9	048	23048K	422031	73.4	9.4488 (240)	14.1732 (360)	3.6220 (92)
9-7/16 9-1/2	052	23052K	422543	106.0	10.2362 (260)	15.7480 (400)	4.0945 (104)
9-15/16 10	056	23056K	422030	114.0	11.0236 (280)	16.5354 (430)	4.1732 (106)
10-7/16 10-1/2	056L						

FEATURES/BENEFITS PAGE B15-3	SPECIFICATION/HOW TO ORDER PAGE B15-7	NOMENCLATURE PAGE B15-8	SELECTION PAGE B15-13
---------------------------------	--	----------------------------	--------------------------



SELECTION/DIMENSIONS

SAF-XT & SAFS Adaptor Assembly (SNW)



V Shaft Dia. (In)	Housing	SNW/SNP Number	Part Number	Approx Wt. (Lbs)	L (in.)	F Max (in.)	M (in.)
1-15/16	511	H311-SNW-115	046352	0.8	2.97	0.58	1.85
2-3/16	513	H313-SNW-203	046353	1.6	3.38	0.64	2.10
2-7/16	515	H315-SNW-207	046354	2.6	3.88	0.69	2.29
2-1/2		H315-SMW-208	046355	2.3			
2-11/16	516	H316-SNW-211	046356	2.6	4.16	0.69	2.37
2-3/4		H316-SNW-212	046357	2.6			
2-15/16	517	H317-SNW-215	046358	3.0	4.41	0.72	2.47
3		H317-SNW-300	046359	2.5			
3-3/16	518	H318-SNW-303	046360	3.1	4.66	0.80	2.63
3-7/16	520	H320-SNW-307	046361	4.6	5.19	0.83	2.87
3-1/2		H320-SNW-308	046362	4.4			
3-15/16	522	H322-SNW-315	046363	5.6	5.72	0.86	3.19
4		H322-SNW-400	046364	5.0			
4-3/16	524	H3124-SNW-403	046430	6.5	6.12	0.92	3.47
4-7/16	526	H3126-SNW-407	046431	9.2	6.75	0.95	3.76
4-1/2		H3126-SNW-408	046432	8.6			
4-15/16	528	H3128-SNW-415	046433	10.0	7.09	1.02	3.97
5		H3128-SNW-500	046434	9.0			
5-3/16	530	SNW30-503	043618	12.7	7.69	1.08	4.22
5-7/16	532	SNW32-507	043619	15.9	8.06	1.14	4.57
5-1/2		SNW32-508	043634	15.0			
5-15/16	534	SNW34-515	043620	17.6	8.66	1.23	4.83
6		SNW34-600	043621	17.0			
6-7/16	536	SNW36-607	043622	17.0	9.06	1.27	5.02
6-1/2		SNW36-608	043623	18.0			
6-15/16	538	SNW38-615	043624	18.0	9.47	1.30	5.26
7		SNW38-700	043625	17.0			
7-3/16	540	SNW40-703	046545	30.7	9.84	1.36	5.48
7-1/2	544S	SNW44-708	043627	30.2	11.00	1.42	5.90
7-15/16	544	SNW44-715	043626	36.0			
8		SNW44-800	043628	34.7			
8-7/16	048	SNP048-807	043629	38.0	11.44	1.73	5.44
8-1/2		SNP048-808	043630	30.0			
8-15/16		SNP048-815	043631	28.0			
9		SNP048-900	043632	22.0			
9-7/16	052	SNP052-907	043585	41.1	12.19	1.80	6.02
9-1/2		SNP052-908	422538	40.0			
9-15/16	056	SNP056-915	043586	43.7	13.00	1.89	6.19
10		SNP056-1000	043633	42.0			
10-7/16	056L	SNP056-1007	043580	30.0	13.00	1.89	6.19
10-1/2		SNP056-1008	422567	28.0			

FEATURES/BENEFITS PAGE B15-3	SPECIFICATION/HOW TO ORDER PAGE B15-7	NOMENCLATURE PAGE B15-8	SELECTION PAGE B15-13
---------------------------------	--	----------------------------	--------------------------



SELECTION/DIMENSIONS

Pillow Block SPLIT-SPHER™ Roller Bearings (USAF 500 SERIES)

DODGE SPLIT-SPHER Roller Bearings have the capacity to carry heavy radial loads and combined radial and thrust loads. The maximum recommended load which can be applied is limited by various components in the system such as bearing, housing, shaft, shaft attachment, speed and life requirements as listed in this catalog. DODGE spherical roller bearings have been applied successfully even when these limits have been exceeded under controlled operating conditions. Contact DODGE Application Engineering (864-284-5700) for applications which exceed the recommendations of this catalog.

L₁₀ Hours Life - The life which may be expected from at least 90% of a given group of bearings operating under identical conditions.

$$L_{10} \text{ Life, Hours} = \left(\frac{C}{P}\right)^{10/3} \times \left(\frac{16667}{\text{RPM}}\right)$$

Where:

C = Dynamic Capacity (Table 11 on page B15-70), lbs.
P = Equivalent Radial Load, lbs.

(See Equation 1 on page B15-74 for definition of P)

GENERAL

Heavy Service - For heavy shock loads, frequent shock loads, or severe vibrations, increase the Equivalent Radial Load up to 50% (according to severity of conditions) to obtain a Modified Equivalent Radial Load. Consult DODGE Application Engineering for additional selection assistance.

Thrust load values shown in the table below are recommended as a guide for general applications that will give adequate L₁₀ life. Where substantial radial load is also present, it is advisable to calculate actual L₁₀ life to assure that the bearing meets the requirements.

RPM	20-200	201 - 2000	Over2000
RECOMMENDED THRUST LOAD	C/20	C/40	C/60

The shaft tolerances recommended below are adequate for normal radial and radial/thrust load applications. Since the allowable load, especially at a low speed, is very large, the shaft should be checked to assure adequate shaft strength.

The magnitude and direction of both the thrust and radial load must be taken into account when selecting a housing. **When pillow blocks are utilized, heavy loads should be directed through the base. Where uplift loads are involved, see B15-21 for maximum values.** Spherical bearings require a radial load at least equal to the thrust load for proper operation. It is advisable to calculate actual L₁₀ life to assure adequate conditions (normally at least 30,000 hours life). Where a load pulls the housing away from the mounting base, both the hold-down bolts and housing must be of adequate strength. Auxiliary load carrying devices such as shear bars are advisable for side or end loading of pillow blocks.

SHAFT TOLERANCES

Shaft Sizes, Inches	Tolerance, Inches
Up to 1-1/2"	+.000 - .002"
1-9/16 to 2-1/2"	+.000 - .003"
2-5/8 to 4"	+.000 - .004"
4-7/16 to 6"	+.000 - .005"

* Use the smaller of this value or the maximum allowable thrust load listed in Table 10.

NOTE: Polyamide cages may limit bearing operating temperature.



SELECTION/DIMENSIONS

Selecting Bearings - Supporting Radial Loads Only

1. Define the desired L_{10} Life in Hours.
2. Establish bearing radial load, F_R .
3. Establish RPM.
4. Calculate the equivalent radial load.
 $(P = F_R \times 1.1\# = \text{Equivalent radial load})$
 (The DODGE program BEST ♦ can be used to find application loads.)

Using the easy selection Table 12 on page B15-75, under the RPM column find the equivalent load that equals or is slightly higher than the application radial load multiplied by a 1.1 factor for the desired life. The shaft size on the far left will be the minimum shaft size that you can use for your application. If the desired life is different than the values shown on the chart, use alternate Method A shown below.

- Example:
1. L_{10} Life = 30,000 Hours
 2. Radial load = 4,000 lbs.
 3. RPM = 950

At the intersection of the 950 RPM column and the 30,000 hours L_{10} life row, the equivalent radial load of 4445 lbs. exceeds the 4400 lbs. (4000×1.1) application equivalent radial load for shaft size 2-7/16" - 2-1/2". A SPLIT-SPHER bearing with shaft size of 2-7/16" - 2-1/2" may be used for this application.

- The application factor, 1.1, compensates for the gaps and relief area on either side of the gaps. At no time should F_R or P exceed 20% of the Dynamic Capacity C .
- ♦ The DODGE Bearing Evaluation and Selection Technique (BEST) is a menu driven computer program that calculates bearing loads, fatigue life and operating temperature for a two bearing shaft system based on user supplied input parameters. This interactive program is available at www.ptwizard.com under the Product Section area.

ALTERNATE METHOD A - SELECTING A BEARING FOR AN L_{10} LIFE VALUE NOT SHOWN IN THE EASY SELECTION CHART.

The L_{10} life equation can be rearranged so that the bearing dynamic capacity C is identified in terms of L_{10} , RPM and P .

$$C = \left(\frac{L_{10} \times \text{RPM}}{16667} \right)^{0.3} \times P$$

$(P = F_R \times 1.1\bullet = \text{Equivalent Radial Load})$

Since the L_{10} , RPM, and F_R are known, solve for C . Select from the dynamic capacity column on Table 11 on page B15-74 the C value equal to or just greater than the C value just calculated. The bore size on the far left represents the minimum shaft size selection. Check that the application RPM does not exceed the MAX. RPM on Table 10. When selecting an L_{10} life of less than 30,000 hours, particular attention must be given to shaft deflection and proper lubricant selection.

FEATURES/BENEFITS PAGE B15-3	SPECIFICATION/HOW TO ORDER PAGE B15-7	NOMENCLATURE PAGE B15-8	SELECTION PAGE B15-13
---------------------------------	--	----------------------------	--------------------------



SELECTION/DIMENSIONS

Selecting Bearings Supporting Combination Radial And Thrust Loads

When a bearing supports both a radial load and a thrust load, the loading on the two rows is shared unequally depending on the ratio of thrust to radial load. The use of the X (radial factor) and Y (thrust factor) from Table 11 on page B15-74 converts the applied thrust load and radial loads to an equivalent radial load having the same effect on the life of the bearing as a radial load of this magnitude.

Equation 1

The equivalent radial load $P = (XFR + YFA) \times 1.1$

Where:

P = Equivalent radial load, lbs

F_R = Radial load, lbs

F_A = Thrust (axial) load, lbs (** See Note below)

e = Thrust load or radial load factor (Table 11)

X = Radial load factor (Table 11)

Y = Thrust load factor (Table 11)

To find X and Y, calculate F_A/F_R and compare to e for the selected bore size. Determine X and Y from Table 10 depending

on whether F_A/F_R is equal to or less than e , or F_A/F_R is greater than e . Substitute all known values into the equivalent radial load equation. P (equivalent radial load) can be used in the life formula to determine L_{10} , or it can be compared to the allowable equivalent radial load ratings for the speed and hours life desired in the easy selection chart.

SELECTING BEARINGS SUPPORTING ONLY THRUST LOADS

Spherical Roller Bearings generally are not recommended for pure thrust load applications. They will perform satisfactorily under very light pure thrust loads. Consult DODGE Application Engineering (864-284-5700).

AXIAL EXPANSION CAPABILITY

The axial expansion capability of SPLIT-SPHER Pillow Blocks is the same as the UNIFIED 500 pillow blocks. See Table 7 on page B15-25.

- The application factor, 1.1, compensates for the gaps and relief area on either side of the gaps. At no time should F_R or P exceed 20% of the Dynamic Capacity C

Table 11: SPLIT-SPHER Bearings Radial & Thrust Factor

Shaft Size Inches	Replaces Bearing Series	e	$F_A/F_R \leq e$		$F_A/F_R > e$		Max. Allow. Thrust Load F_A Lbs.	Dynamic* Capacity (C) Pounds	Max. RPM (Grease)
			X	Y	X	Y			
2-3/16	22213K	0.24	1	2.80	0.67	4.20	1200	35,000	2600
2-7/16	22215K	0.24	1	2.80	0.67	4.20	1200	41,500	2350
2-15/16 - 3	22217K	0.22	1	3.10	0.67	4.60	1700	45,000	2200
3-3/16	22218K	0.22	1	2.90	0.67	4.60	1700	52,000	2100
3-7/16	22220K	0.23	1	2.80	0.67	4.30	1700	71,000	1700
3-15/16 - 4	22222K	0.24	1	2.80	0.67	4.20	3100	90,000	1450
4-7/16	22226K	0.25	1	2.70	0.67	4.00	3100	132,000	1200
4-15/16	22228K	0.26	1	2.60	0.67	3.90	3100	153,000	1100
5-7/16	22232K	0.25	1	2.70	0.67	4.00	5000	204,000	1000
5-15/16 - 6	22234K	0.26	1	2.60	0.67	3.90	5000	232,000	950

* At no time load on a SPLIT-SPHER bearing should exceed 20% of the Dynamic Capacity C.

FEATURES/BENEFITS PAGE B15-3	SPECIFICATION/HOW TO ORDER PAGE B15-7	NOMENCLATURE PAGE B15-8	SELECTION PAGE B15-13
---------------------------------	--	----------------------------	--------------------------



SELECTION/DIMENSIONS

Table 12: Selection Table For SPLIT-SPHER Spherical Roller Bearings

Shaft Size Inches	L ₁₀ Life Hrs.	Allowable Equivalent Radial Load Rating (Lbs.) At Various Revolutions Per Minute													
		50	100	250	375	450	800	950	1100	1200	1300	1700	2100	2350	2600
2-3/16	10000	7000	7000	7000	6990	6620	5570	5290	5060	4930	4815	4440	4170	4030	3910
	30000	7000	7000	5680	5030	4760	4005	3805	3640	3545	3465	3195	3000	2900	2810
	50000	7000	6415	4870	4315	4085	3435	3265	3125	3045	2970	2740	2570	2485	2415
	100000	6415	5210	3955	3505	3315	2790	2650	2535	2470	2415	2225	2090	2020	1960
2-7/16	10000	8300	8300	8300	8175	7740	6510	6185	5920	5765	5630	5195	4875	4710	
	30000	8300	8300	6640	5880	5565	4685	4445	4255	4145	4050	3735	3505	3390	
	50000	8300	7495	5695	5045	4775	4015	3815	3650	3555	3475	3205	3005	2905	
	100000	7495	6090	4625	4095	3880	3265	3100	2965	2890	2820	2600	2445	2360	
2-15/16 3	10000	9000	9000	9000	8860	8390	7060	705	6415	6250	6105	5630	5285		
	30000	9000	9000	7200	6375	6035	5080	4820	4615	4495	4390	4050	3800		
	50000	9000	8130	6175	5470	5175	4355	4135	3960	3855	3765	3475	3260		
	100000	8130	6605	5015	4440	4205	3540	3360	3215	3135	3060	2820	2650		
3-3/16	10000	10400	10400	10400	10240	9695	8160	7750	7415	7225	7055	6505	6105		
	30000	10400	10400	8320	7365	6975	5870	5575	5335	5195	5070	4680	4390		
	50000	10400	9395	7135	6320	5980	5035	4780	4575	4455	4350	4015	3770		
	100000	9395	7630	5795	5130	4860	4090	3885	3715	3620	3535	3260	3060		
3-7/16	10000	14200	14200	14200	13985	13240	11140	10580	10125	9865	9630	8885			
	30000	14200	14200	11355	10055	9520	8010	7610	7280	7095	6925	6390			
	50000	14200	12825	9745	8630	8170	6875	6530	6245	6085	5940	5480			
	100000	12825	10420	7915	7010	6635	5585	5300	5075	4945	4825	4455			
3-15/16 4	10000	18000	18000	18000	17725	16780	14120	13410	12835	12505	12205				
	30000	18000	18000	14395	12750	12070	10155	9645	9230	8995	8780				
	50000	18000	16260	12350	10935	10355	8715	8275	7920	7715	7530				
	100000	16260	13205	10030	8885	8410	7075	6720	6430	6265	6120				
4-7/16	10000	26400	26400	26400	25995	24615	20710	19670	18825	18340					
	30000	26400	26400	21115	18695	17700	14895	14145	13540	13190					
	50000	26400	23845	18115	16040	15185	12780	12135	11615	11315					
	100000	23845	19370	14715	13030	12335	10380	9860	9435	9190					
4-15/16	10000	30600	30600	30600	30130	28530	24005	22800	21820						
	30000	30600	30600	24475	21670	20520	17265	16400	15690						
	50000	30600	27640	20995	18590	17605	14810	14070	13460						
	100000	27640	22450	17055	15100	14300	12030	11425	10935						
5-7/16	10000	40800	40800	40800	40175	38040	32010	30400							
	30000	40800	40800	32635	28895	27360	23020	21865							
	50000	40800	36855	27995	24790	23470	19750	18755							
	100000	36855	29935	22740	20135	19065	16040	15235							
5-15/16 6	10000	46400	46400	46400	45690	43260	36400	34570							
	30000	46400	46400	37115	32860	31115	26180	24865							
	50000	46400	41915	31840	28195	26690	22460	21330							
	100000	41915	34045	25860	22900	21680	18245	17325							

Bearing Reference Guide

E-Family Roller Bearings

Specialty Tapered Products

S-2000

UNISPHERE II

IMPERIAL

UNIFIED SAF

FEATURES/BENEFITS PAGE B15-3	SPECIFICATION/HOW TO ORDER PAGE B15-7	NOMENCLATURE PAGE B15-8	SELECTION PAGE B15-13
---------------------------------	--	----------------------------	--------------------------



SELECTION/DIMENSIONS

Selecting Lubrication

DODGE SPLIT-SPHER Roller Bearings are lubricated by the user at installation. DODGE SPLIT-SPHER Roller Bearings can be run with either grease or oil lubrication.

Grease Lubrication:

In order to properly protect the bearing during installation, pack the bearing insert 100% full of grease immediately after properly mounting the bearing on the shaft. If the RPM of the application falls between 20% and 80% of maximum RPM (Table 11 on page B15-74), pack the lower half of the housing one-third to one-half full. If the RPM of the application is less than 20% of maximum RPM, pack bearing housing cavity 100% full. If the RPM exceeds 80% of maximum RPM, do not add grease in the lower half of the housing nor in the cap.

At each re-greasing cycle, for applications up to 80% of maximum RPM, slowly add grease until fresh grease is seen purging at the seals. Re-greasing should be done while running. Remote re-greasing lines should be added to avoid endangering

personnel. If the RPM is greater than 80% of maximum RPM, add 4 strokes of a handgun at each re-greasing cycle for bores up to 2". For bores greater than 2", up to 5", add 8" strokes of a handgun at each re-greasing cycle. For bores greater than 5", up to 6", add 16 strokes of a handgun at each re-greasing cycle. For units running above 80% of maximum RPM, running temperature should be monitored. If a drastic change in running temperature is noted, DODGE recommends removing the used grease completely and recharging with fresh grease per the above instructions. For warning before catastrophic failure, see DODGE Temperature Monitor Package on page B15-54.

Select a grease with a viscosity at an operating temperature which will provide full film lubrication (see Table 12). Use a 50°F to 100°F increase in bearing temperature above ambient, depending on RPM and load. Use Table 13 on page B15-76 as a general guide for re-greasing the bearings. A small amount of grease at frequent intervals is preferable to a large amount of grease at infrequent intervals. For special applications involving high speeds, high loads, or very low speeds, consult DODGE Application Engineering (864-284-5700).

Table 13: Viscosity Of Oil In Grease

DN Δ	Viscosity for Loads Up To 18% of Dyn. Cap. ♦ (SUS @ Oper. Temp.)	DN Δ	Viscosity for Loads Up To 18% of Dyn. Cap. ♦ (SUS. @ Oper. Temp.)
100	3500	1400	625
200	3150	1600	525
300	2750	1800	450
400	2375	2000	400
500	2000	3000	300
600	1750	4000	200
700	1500	5000	150
800	1300	6000	130
900	1075	7000	110
1000	900	8000	100

Δ DN = Bore Diameter (inches) x RPM

♦ For loads above 18% of dynamic capacity, an EP grease with the viscosity selected from above is recommended.

**Table 14: Re-Greasing Intervals (Months*)
(Based on 12 Hours per Day, 150-F Max.)**

Shaft Size (inch)	RPM							
	250	500	750	100	1250	1500	2000	2500
1-7/16 - 1-15/16	8	6	4	3	2	1	.50	.50
2-3/16	7	5	3	2	1	1	.50	.25
2-7/16 - 3	6	4	3	2	1	.50	.25	.25
3-3/16 - 3-1/2	5	3	2	1	.50	.50	.25	
3-15/16 - 4-7/16	4	3	2	1	.50	.25		
4-15/16 - 5-1/2	3	2	1	.50	.25			
5-15/16 - 6	2	1	1	.50				

* For continuous operation, 24 hrs./day, reduce the re-greasing intervals by half.

FEATURES/BENEFITS PAGE B15-3	SPECIFICATION/HOW TO ORDER PAGE B15-7	NOMENCLATURE PAGE B15-8	SELECTION PAGE B15-13
---------------------------------	--	----------------------------	--------------------------



SELECTION/DIMENSIONS

USAF 500 SPLIT-SPHER Pillow Block

Shaft Dia S-1	Complete Pillow Block Part No.	Housing W/ Stab Ring Part No.	Bearing Part No.	Dynamic Capacity (C), lbs.	Max RPM (Grease)	Split LER Seal
2-3/16	P2B13-SS-203 043958	H2S-513-USAF 043998	BRG13SS203 043393	32,500	2,600	14SS203 043501
	P4B13-SS-203 046110	H4S-513-USAF 039669	BRG13SS203 043393	32,500	2,600	14SS203 043501
2-7/16	P2B15-SS-207 043959	H2S-515-USAF 044000	BRG15SS207 043400	39,000	2,350	20SS207 043502
	P4B15-SS-207 043964	H4S-515-USAF 044003	BRG15SS207 043400	39,000	2,350	20SS207 043502
2-11/16	P2B16-SS-211 043960	H2S-516-USAF 044198	BRG16SS211 043401	40,500	2,300	24SS211 043504
	P4B16-SS-211 043965	H4S-516-USAF 044007	BRG16SS211 043401	40,500	2,300	24SS211 043504
2-15/16	P2B17-SS-215 043961	H2S-517-USAF 044010	BRG17SS215 043402	41,500	2,200	28SS215 043506
	P4B17-SS-215 043966	H4S-517-USAF 044013	BRG17SS215 043402	41,500	2,200	28SS215 043506
3-3/16	P2B18-SS-303 043962	H2S-518-USAF 044199	BRG18SS303 043403	47,500	2,000	34SS303 043508
	P4B18-SS-303 043967	H4S-518-USAF 044114	BRG18SS303 043403	47,500	2,000	34SS303 043508
3-7/16	P2B20-SS-307 043963	H2S-520-USAF 044020	BRG20SS307 043404	64,000	1,700	46SS307 043509
	P4B20-SS-307 043968	H4S-520-USAF 044023	BRG20SS307 043404	64,000	1,700	46SS307 043509
3-15/16	P4B22-SS-315 043969	H4S-522-USAF 044025	BRG22SS315 043405	80,000	1,450	50SS315 043511
4	P4B22-SS-400 043970	H4S-522-USAF 044025	BRG22SS400 043406	80,000	1,450	50SS400 043512
4 3/16	P4B24-SS-403 043971	H4S-524-USAF 044202	BRG24SS403 043421	102,000	1,300	52SS403 043513
4-7/16	P4B26-SS-407 043972	H4S-526-USAF 044031	BRG26SS407 043407	120,000	1,200	54SS407 043514
4-15/16	P4B28-SS-415 043974	H4S-528-USAF 044034	BRG28SS415 043408	143,000	1,100	56SS415 043516
5-7/16	P4B32-SS-507 043976	H4S-532-USAF 044040	BRG32SS507 043410	190,000	950	60SS507 043519
5-15/16	P4B34-SS-515 043977	H4S-534-USAF 044043	BRG34SS515 043411	216,000	900	64SS515 043520
6	P4B34-SS-600 043978	H4S-534-USAF 044043	BRG34SS600 043412	216,000	900	64SS600 043521

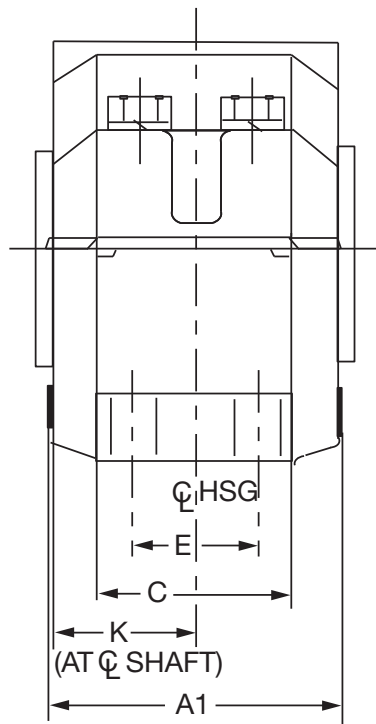
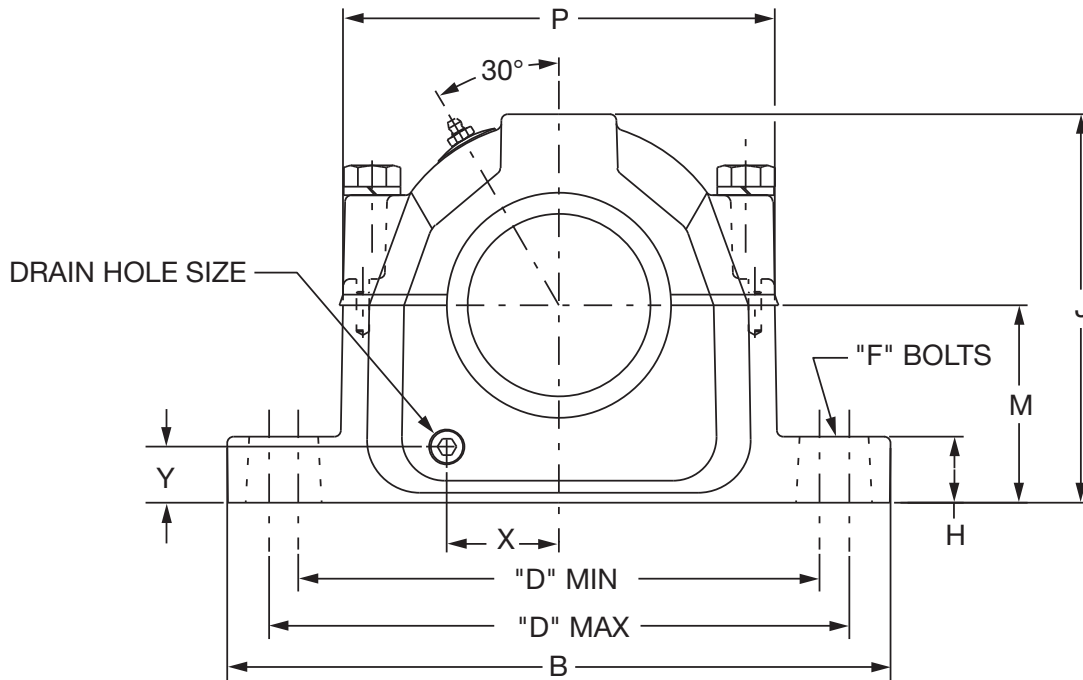
NOTE: Ratings Per FAG Catalog

FEATURES/BENEFITS PAGE B15-3	SPECIFICATION/HOW TO ORDER PAGE B15-7	NOMENCLATURE PAGE B15-8	SELECTION PAGE B15-13
---------------------------------	--	----------------------------	--------------------------



SELECTION/DIMENSIONS

USAF 500 SPLIT-SPHER Housing Dimensions



Bearing Reference Guide

E-Family Roller Bearings

Specialty Tapered Products

S-2000

UNISPHERE II

IMPERIAL

UNIFIED SAF

FEATURES/BENEFITS PAGE B15-3	SPECIFICATION/HOW TO ORDER PAGE B15-7	NOMENCLATURE PAGE B15-8	SELECTION PAGE B15-13
---------------------------------	--	----------------------------	--------------------------



SELECTION/DIMENSIONS

USAF 500 SPLIT-SPHER Housing Dimensions

S-1 Shaft Size	Housing	▲ A1	B	C	D				E
					2-Bolt		4-Bolt		
2-3/16	513	4.64	11.00	3.13	8.13	9.50	8.13	9.50	1.88
2-7/16	515	5.20	11.13	3.13	8.63	9.63	8.63	9.63	1.88
2-11/16	516	5.44	12.59	3.50	9.63	11.00	9.63	11.00	2.13
2-15/16	517	5.39	12.59	3.50	9.88	11.00	9.88	11.00	2.13
3-3/16	518	6.16	13.63	3.88	10.25	11.75	10.38	11.63	2.13
3-7/16	520	6.78	15.36	4.34	11.63	13.13	11.63	13.13	2.38
3-15/16 4	522	7.08	16.50	4.75	-	-	12.59	14.50	2.75
4-7/16	526	8.27	18.38	5.13	-	-	14.50	16.00	3.25
4-15/16	528	8.77	19.69	5.88	-	-	15.63	17.38	3.38
5-7/16	532	9.92	21.66	6.75	-	-	17.38	19.25	3.75
5-15/16 6	534	9.72	24.75	6.75	-	-	19.38	21.63	4.25

S-1 Shaft Size	Housing	F		H	J	K	M	P
		2-Bolt	4-Bolt					
2-3/16	513	5/8	1/2	1.03	5.94	2.16	3.00	6.50
2-7/16	515	5/8	1/2	1.25	6.44	2.31	3.25	7.06
2-11/16	516	3/4	5/8	1.06	6.75	2.42	3.50	7.94
2-15/16	517	3/4	5/8	1.25	7.38	2.47	3.75	8.19
3-3/16	518	3/4	5/8	1.44	7.75	2.84	4.00	8.66
3-7/16	520	7/8	3/4	1.66	8.75	3.16	4.50	9.78
3-15/16 4	522	-	3/4	1.78	9.41	3.30	4.94	10.59
4-7/16	526	-	7/8	2.06	11.53	3.75	6.00	12.41
4-15/16	528	-	1	2.06	11.81	4.00	6.00	13.25
5-7/16	532	-	1	2.34	13.31	4.63	6.69	14.91
5-15/16 6	534	-	1	2.88	14.56	4.63	7.06	16.81

- ▲ Housing width with drain plugs
- ◆ Distance shaft should extend beyond housing centerline if pillow block is closed end style
- Non-expansion bearing offset from centerline.

Dowel hole locations for Precision Positioning, see Page B15-126 - B15-127

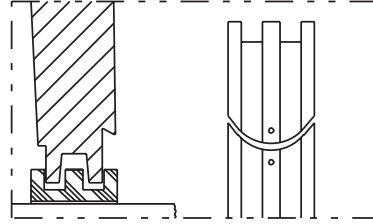
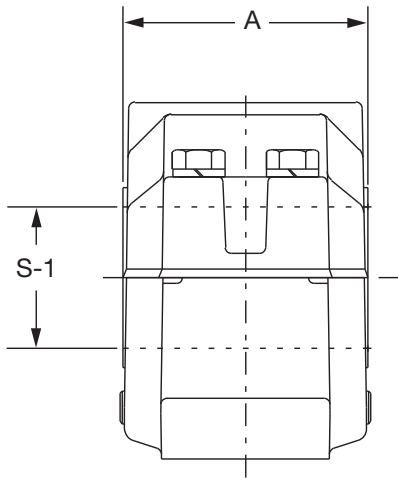
FEATURES/BENEFITS PAGE B15-3	SPECIFICATION/HOW TO ORDER PAGE B15-7	NOMENCLATURE PAGE B15-8	SELECTION PAGE B15-13
---------------------------------	--	----------------------------	--------------------------



SELECTION/DIMENSIONS

USAF 500 SPLIT-SPHER Pillow Block Seals

LENGTH THRU BORE W/SEALS



SPLIT Seal

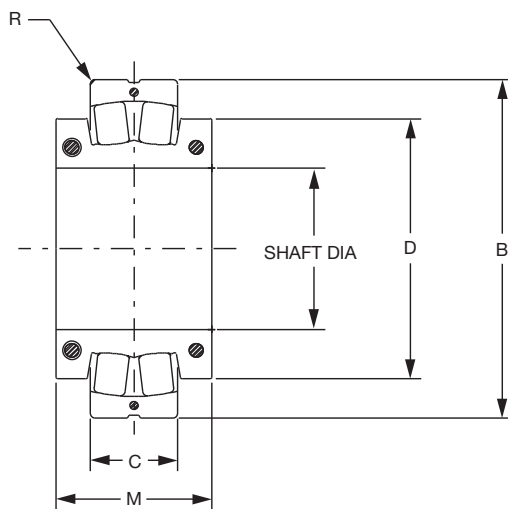
Permits easy installation in hard-to-reach applications without removing shaft.
Non-metallic split LER.

S-1 Shaft Size Inch	Housing	Seal Group	Seal Part Number	A
2-3/16	513	14	043501	4.72
2-7/16	515	20	043502	4.47
2-11/16	516	24	043504	4.72
2-15/16	517	28	043506	4.83
3-3/16	518	34	043508	5.70
3-7/16	520	46	043509	6.19
3-15/16	522	50	043511	6.59
4			043512	
4-3/16	524	52	043513	7.31
4-7/16	526	54	043514	7.50
4-15/16	528	56	043516	7.88
5-7/16	532	60	043519	9.20
5-15/16	534	64	043520	9.13
6			043521	
6-7/16	536	68	043522	9.69



SELECTION/DIMENSIONS

USAF 22200 SPLIT-SPHER Roller Bearings



Shaft Dia. Inch	Housing	Bearing Descriptive No.	Bearing Part No.	Approx. Weight (Lbs)	B Inch (mm)	C Inch (mm)	M Inch (mm)	D Inch	R Inch
2-3/16	513	22213SS203	043393	5.07	4.7244 (120)	1.2205 (31)	2.1654 (55)	3.3464	0.06
2-7/16	515	22215SS207	043400	5.73	5.1181 (130)	1.2205 (31)	2.3622 (60)	3.4646	0.06
2-11/16	516	22216SS211	043401	7.12	5.5118 (140)	1.2992 (33)	2.4409 (62)	3.701	0.08
2-15/16	517	22217SS215	043402	9.04	5.9055 (150)	1.4173 (36)	2.6772 (68)	4.0157	0.08
3-3/16	518	22218SS303	043403	10.1	6.2992 (160)	1.5748 (40)	2.7559 (70)	4.4094	0.08
3-7/16	520	22220SS307	043404	14.2	7.0866 (180)	1.811 (46)	2.9921 (76)	4.6457	0.08
3-15/16 4	522	22222SS315	043405	22.0	7.874 (200)	2.0866 (53)	3.622 (92)	5.4331	0.08
		22222SS400	043406	22.0					
4-7/16	526	22226SS407	043407	32.2	9.0551 (230)	2.5197 (64)	4.0945 (104)	5.9842	0.12
4-15/16	528	22228SS415	043408	43.2	9.8425 (250)	2.6772 (68)	4.3307 (110)	6.6929	0.12
5-7/16	532	22232SS507	043410	69.4	11.4173 (290)	3.1496 (80)	4.8819 (124)	7.4016	0.12
5-15/16 6	534	22234SS515	043411	82.2	12.2047 (310)	3.3858 (86)	5.0394 (128)	7.9527	0.12
		22234SS600	043412	82.2					

FEATURES/BENEFITS PAGE B15-3	SPECIFICATION/HOW TO ORDER PAGE B15-7	NOMENCLATURE PAGE B15-8	SELECTION PAGE B15-13
---------------------------------	--	----------------------------	--------------------------



SELECTION/DIMENSIONS

USDAF Pillow Block - Spherical Roller Bearings

Table 15: Radial & Thrust Factors For USDAF Spherical Bearings

23000K SERIES										
Shaft Size (in.)	Bearing Series	e	$F_A/F_R \leq e$		$F_A/F_R > e$		Adapter Maximum Allowable Thrust Load, lbs.*	Dynamic Capacity (C), lbs.	Max. RPM	
			X	Y	X	Y			Grease	Oil
10-15/16,11	23060K	0.25	1	2.70	0.67	4	23,875	440,000	630	800
11-7/16,11-1/2,11-15/16,12	23064K	0.25	1	2.70	0.67	4.10	26,114	455,000	600	750
12-7/16,12-1/2	23068K	0.25	1	2.70	0.67	4	30,498	530,000	560	700
12-15/16,13,13-7/16,13-1/2	23072K	0.25	1	2.70	0.67	4.10	32,535	550,000	530	670
13-15/16,14	23076K	0.24	1	2.80	0.67	4.20	34,598	570,000	500	630
15	23080K	0.24	1	2.80	0.67	4.10	39,926	680,000	450	560
15-3/4	23084K	0.24	1	2.80	0.67	4.20	42,489	710,000	450	560
23100K SERIES										
9-7/16,9-1/2	23152K	0.33	1	2	0.67	3	19,985	490,000	670	850
10-7/16,10-1/2	23156K	0.32	1	2.10	0.67	3.20	27,571	530,000	630	800
10-15/16,11	23160K	0.33	1	2.10	0.67	3.10	32,373	600,000	600	750
11-15/16,12	23164K	0.34	1	2	0.67	2.90	37,984	720,000	530	670
12-7/16,12-1/2	23168K	0.34	1	2	0.67	2.90	43,568	830,000	500	630
13-7/16,13-1/2	23172K	0.33	1	2.10	0.67	3.10	45,617	850,000	480	600
13-15/16,14	23176K	0.32	1	2.10	0.67	3.20	49,719	915,000	450	560
23200K SERIES										
8-15/16,9	23248K	0.37	1	1.80	0.67	2.70	25,891	560,000	700	900
9-7/16,9-1/2	23252K	0.37	1	1.80	0.67	2.70	30,511	655,000	630	800
10-7/16,10-1/2	23256K	0.36	1	1.90	0.67	2.80	33,236	680,000	600	750
10-7/16,11	23260K	0.37	1	1.80	0.67	2.70	38,847	780,000	560	700
11-15/16,12	23264K	0.37	1	1.80	0.67	2.70	44,890	865,000	530	670
12-7/16,12-1/2	23268K	0.38	1	1.80	0.67	2.70	51,365	1,000,000	480	600

If the thrust load exceeds adapter maximum allowable thrust load, auxiliary methods of carrying thrust are required.

Bearing Reference Guide

E-Family Roller Bearings

Specialty Tapered Products

S-2000

UNISPHERE II

IMPERIAL

UNIFIED SAF

FEATURES/BENEFITS PAGE B15-3	SPECIFICATION/HOW TO ORDER PAGE B15-7	NOMENCLATURE PAGE B15-8	SELECTION PAGE B15-13
---------------------------------	--	----------------------------	--------------------------



SELECTION/DIMENSIONS

USDAF Pillow Block - Spherical Roller Bearings

Table 16: Selection Table For USDAF Spherical Bearings

Shaft Size	Bearing Series	L ₁₀ Life Hours	Allowable Equivalent Radial Load Rating (Lbs.) at Various Rpm. *												
			50	100	150	200	250	300	400	500	550	600	650	700	750
23000K SERIES															
10-15/16, 11	23060K	50,000	97865	79491	70387	64567	60386	57172	52445	49049	47666	46438	45336	44339	43431
		80,000	84995	69037	61130	56076	52445	49653	45548	42598	41397	40331	39374	38508	37719
		100,000	79491	64567	57172	52445	49049	46438	42598	39840	38717	37719	36824	36015	35277
11-7/16,11-1/2 11-15/16,12	23064K	50,000	101201	82201	72786	66768	62445	59121	54233	50721	49291	48021	46882	45851	44912
		80,000	87892	71391	63214	57987	54233	51346	47100	44050	42809	41706	40716	39821	39005
		100,000	82201	66768	59121	54233	50721	46021	44050	41198	40037	39005	38080	37243	36480
12-7/16,12-1/2	23068K	50,000	117883	95751	84784	77774	72738	68866	63172	59081	57416	55937	54609	53409	
		80,000	102380	83158	73634	67546	63172	59809	54864	51312	49665	48580	47428	46385	
		100,000	95751	77774	68866	63172	59081	55937	51312	47989	46636	45435	44357	43381	
12-15/16,13 13-7/16,13-1/2	23072K	50,000	122331	99364	87984	80709	75483	71465	65556	61311	59583	58048	56670		
		80,000	106243	86296	76413	70094	65556	62066	56934	53248	51747	50414	49217		
		100,000	99363	80709	71465	65556	61311	56048	53248	49800	48396	47149	46031		
13-15/16, 14	23076K	50,000	126780	102977	91183	83643	78227	74064	67940	63540	61749	60158			
		80,000	110107	89435	79191	72643	67940	64323	59005	55184	53629	52247			
		100,000	102977	83643	74064	67940	63540	60158	55184	51611	50156	48864			
15	23080K	50,000	151246	122850	108780	99785	93324	88357	81051	75803	73666				
		80,000	131355	106694	94474	86662	81051	76737	70392	65834	63978				
		100,000	122850	99785	88357	81051	75803	71768	65834	61571	59835				
15-3/4	23084K	50,000	157919	128270	113579	104187	97441	92255	84627	79147	76916				
		80,000	137151	111401	98642	90486	84627	80122	73497	66736	66601				
		100,000	128270	104187	92255	84627	79147	74934	68738	64287	62475				
23100K SERIES															
9-7/16, 9-1/2	23152K	50,000	108992	88529	78390	71908	67252	63672	58407	54625	53086	51718	50491	49381	48369
		80,000	94658	76886	68080	62451	58407	55299	50726	47442	46104	44916	43851	42886	42008
		100,000	88529	71908	63672	58407	54625	51718	47442	44370	43119	42008	41011	40110	39288
10-7/16, 10-1/2	23156K	50,000	117883	95751	84784	77774	72738	68866	63172	59081	57416	55937	54609	53409	52315
		80,000	102380	83158	73634	67546	63172	59809	54864	51312	49865	48580	47426	46385	45435
		100,000	95751	77774	68866	63172	59061	55937	51312	47989	46636	45435	44357	43381	42493
10-15/16, 11	23160K	50,000	133452	108397	95982	88046	82345	77962	71515	66885	64999	63325	61822	60463	59224
		80,000	115902	94142	83359	76467	71515	67709	62110	58089	56451	54997	53692	52511	51436
		100,000	108397	88046	77962	71515	66885	63325	58089	54327	52796	51436	50215	49111	46105
11-15/16,12	23164K	50,000	160143	130076	115178	105655	98814	93554	85818	80262	77999	75989	74186		
		60,000	139082	112970	100031	91760	85818	81251	74532	69706	67741	65996	64430		
		100,000	130076	105655	93554	85818	80262	75989	69706	65193	63355	61723	60258		
12-7/16,12-1/2	23168K	50,000	184609	149949	132775	121797	113910	107847	98930	92524	89916	87599			
		80,000	160331	130229	115314	105779	98930	93664	85919	80356	78091	76079			
		100,000	149949	121797	107847	96930	92524	87599	80356	75153	73034	71152			
13-7/16, 13-1/2	23172K	50,000	189058	153562	135975	124732	116655	110446	101313	94753	92062	89710			
		80,000	164194	133367	118092	108326	101313	95921	87990	82292	79972	77912			
		100,000	153562	124732	110446	101313	94753	89710	82292	76964	74794	72667			
13-15/16,14	23176K	50,000	203515	165306	146373	134270	125576	118892	109061	101999	99124				
		80,000	176750	143566	127123	116612	109061	103256	94718	88585	86086				
		100,000	165306	134270	118892	109061	101999	96570	88585	82649	80514				
23200K SERIES															
8-15/16, 9	23248K	50,000	124562	101176	89588	82180	76859	72768	66751	62429	60669	59106	57704	56435	55279
		80,000	108181	87870	77806	71373	66751	63198	57973	54219	52691	51333	50115	49013	48009
		100,000	101176	82180	72768	66751	62429	59106	54219	50708	49279	48009	46870	45839	44900
9-7/16,9-1/2	23252K	50,000	145686	118333	104780	96117	89893	85108	78071	73016	70958	69129	67469	66005	64653
		60,000	126526	102771	91001	83476	78071	73915	67804	63413	61626	60036	58613	57325	56150
		100,000	116333	96117	85108	76071	73016	69129	63413	59307	57635	56150	54816	53613	52515
10-7/16,10-1/2	23256K	50,000	151246	122850	106780	99765	93324	86357	81051	75603	73666	71768	70065	66524	67121
		80,000	131355	106694	94474	86662	81051	76737	70392	65834	63978	62330	60651	59513	58294
		100,000	122850	99785	86357	81051	75803	71768	65634	61571	59635	58294	56910	55659	54519
10-15/16,11	23260K	50,000	173488	140916	124777	114459	107048	101350	92970	86950	84499	82322	80369	76602	
		60,000	150672	122384	106367	99407	92970	87021	80743	75515	73366	71496	69799	66265	
		100,000	140916	114459	101350	92970	86950	82322	75515	70625	68635	66666	65280	63844	
11-15/16,12	23264K	50,000	192394	156272	138374	126933	118714	112395	103101	96425	93707	91293	89127		
		80,000	167092	135721	120176	110240	103101	97614	89542	83744	81364	79267	77406		
		100,000	156272	126933	112395	103101	96425	91293	83744	78322	76114	74153	72393		
12-7/16 12-1/2	23266K	50,000	222421	180662	159970	146743	137241	129936	119192	111474	108332	105541			
		80,000	193170	158903	138932	127445	119192	112848	103517	96614	94085	91681			
		100,000	180662	146743	129936	119192	111474	105541	96614	90545	87993	85726			

* Oil lubrication to the right of the heavy line.

FEATURES/BENEFITS PAGE B15-3	SPECIFICATION/HOW TO ORDER PAGE B15-7	NOMENCLATURE PAGE B15-8	SELECTION PAGE B15-13
---------------------------------	--	----------------------------	--------------------------



SELECTION/DIMENSIONS

USDAF Adapter Mount Pillow Block

Shaft Dia	Housing	Open Housing Part No.**	Closed Housing Part No.**	Bearing Part No.	Dynamic Capacity (C), lbs.	Max RPM LER (Grease)	SNP Part No.	TRIPLE-TECT Part No.	# LER Part No.	Aux Part No.
8-15/16	3248	H4S-USDAF-3248 037464	CH4S-USDAF-3248 037465	23248K 422511	560,000	700	H3248-SNP-815 047628	90TT815 *043571	90LER815 042544	90AUX815 040899
		H4S-USDAF-3248 037464	CH4S-USDAF-3248 037465	23248K 422511			H3248-SNP-900 047629	90TT900 043572	90LER900 *042545	90AUX900 040995
9	3248	H4S-USDAF-3152 037461	CH4S-USDAF-3152 037462	23152K 421294	490,000	670	H3152-SNP-907 047630	84TT908 043538	84LER907 *042510	84AUX907 040900
		H4S-USDAF-3252 037442	CH4S-USDAF-3252 037443	23252K 421290			H3252-SNP-907 047646	84TT907 043538	84LER907 *042510	84AUX907 040900
9-7/16	3152	H4S-USDAF-3152 037461	CH4S-USDAF-3152 037462	23152K 421294	490,000	670	H3152-SNP-908 047631	84TT908 422545	84LER908 *422594	84AUX908 040901
		H4S-USDAF-3252 037442	CH4S-USDAF-3252 037443	23252K 421290			H3252-SNP-908 047647	84TT908 422545	84LER908 *422594	84AUX908 040901
9-1/2	3152	H4S-USDAF-3156 037432	CH4S-USDAF-3156 037433	23156K 421285	530,000	630	H3156SNP-1007 045431	94TT1007 047940	94LER1007 *042036	94AUX1007 045778
		H4S-USDAF-3256 037444	CH4S-USDAF-3256 037446	23256K 421291			H325-SNP-1007 047648	94TT1007 047940	94LER1007 *042036	94AUX1007 045778
10-7/16	3156	H4S-USDAF-3156 037432	CH4S-USDAF-3156 037433	23156K 421285	530,000	630	H3156-SNP-1008 047637	94TT1008 047941	94LER1008 *422573	94AUX1008 042396
		H4S-USDAF-3256 037444	CH4S-USDAF-3256 037446	23256K 421291			H3256-SNP-1008 047649	94TT1008 047941	94LER1008 *422573	94AUX1008 042396
10-1/2	3156	H4S-USDAF-3156 037432	CH4S-USDAF-3156 037433	23156K 421285	530,000	630	H3156-SNP-1008 047637	94TT1008 047941	94LER1008 *422573	94AUX1008 042396
		H4S-USDAF-3256 037444	CH4S-USDAF-3256 037446	23256K 421291			H3256-SNP-1008 047649	94TT1008 047941	94LER1008 *422573	94AUX1008 042396
10-15/16	060	H4S-USDAF-060 422580	CH4S-USDAF-060 037426	23060K 422582	440,000	630	H3060-SNP-1015 043581	96TT1015 047942	96LER1015 *042037	96AUX1015 045781
		H4S-USDAF-3160 037434	CH4S-USDAF-3160 037435	23160K 421286			H3160-SNP-1015 047638	96TT1015 047942	96LER1015 *042037	96AUX1015 045781
		H4S-USDAF-3260 037447	CH4S-USDAF-3260 037448	23260K 421292			H3260-SNP-1015 047678	96TT1015 047942	96LER1015 *042037	96AUX1015 045781
11	060	H4S-USDAF-060 422580	CH4S-USDAF-060 037426	23060K 422582	440,000	630	H3060-SNP-1100 422576	96TT1100 047943	96LER1100 *422588	96AUX1100 044440
		H4S-USDAF-3160 037434	CH4S-USDAF-3160 037435	23160K 421286			H3160-SNP-1100 045464	96TT1100 047943	96LER1100 *422588	96AUX1100 044440
		H4S-USDAF-3260 037447	CH4S-USDAF-3260 037448	23260K 421292			H3260-SNP-1100 047679	96TT1100 047943	96LER1100 *422588	96AUX1100 044440
11-7/16	064	H4S-USDAF-064 422502	CH4S-USDAF-064 037427	23064K 422531	455,000	600	H3064-SNP-1107 043582	98TT1107 047944	98LER1107 *042038	98AUX1107 045784
11-1/2	064	H4S-USDAF-064 422502	CH4S-USDAF-064 037427	23064K 422531	455,000	600	H3064-SNP-1108 043583	98TT1108 047945	98ER1108 *042039	98AUX1107 045787
11-15/16	064L	H4S-USDAF-064L 422529	CH4S-USDAF-064L 037428	23064K 422531	455,000	600	H3064L-SNP-1115 043584	100TT1115 047946	100ER1115 *042040	100AUX1115 045790
		H4S-USDAF-3164 037436	CH4S-USDAF-3164 037437	23164K 421287			H3164-SNP-1115 047639	100TT1115 047946	100ER1115 *042040	100AUX1115 045790
		H4S-USDAF-3264 037449	CH4S-USDAF-3264 037450	23264K 422844			H3264-SNP-1115 047680	100TT1115 047946	100ER1115 *042040	100AUX1115 045790

NOTE: LER seals are made from Aluminum unless otherwise noted by the * symbol.
If an * appears by the part number, the LER seal is manufactured from Steel.

FEATURES/BENEFITS PAGE B15-3	SPECIFICATION/HOW TO ORDER PAGE B15-7	NOMENCLATURE PAGE B15-8	SELECTION PAGE B15-13
---------------------------------	--	----------------------------	--------------------------

Bearing Reference Guide

E-Family Roller Bearings

Specialty Tapered Products

S-2000

UNISPHERE II

IMPERIAL

UNIFIED SAF



SELECTION/DIMENSIONS

USDAF Adapter Mount Pillow Block

Shaft Dia	Housing	Open Housing Part No.**	Closed Housing Part No.**	Bearing Part No.	Dynamic Capacity (C), lbs.	Max RPM LER (Grease)	SNP Part No.	TRIPLE-TEGT Part No.	# LER Part No.	Aux Part No.
12	064L	H4S-USDAF-064L 422529	CH4S-USDAF-064L 037428	23064K 422531	455,000	600	H3064L-SNP-1200 422525	100TT1200 047947	100ER1200 *422535	100AUX1200 045793
	3164	H4S-USDAF-3164 037436	CH4S-USDAF-3164 037437	23164K 421287	720,000	530	H3164-SNP-1200 050531	100TT1200 047947	100ER1200 *422535	100AUX1200 045793
	3264	H4S-USDAF-3264 037449	CH4S-USDAF-3264 037450	23264K 422844	865,000	530	H3264-SNP-1200 422843	100TT1200 047947	100ER1200 *422535	100AUX1200 045793
12-7/16	068	H4S-USDAF-068 035183	CH4S-USDAF-068 035185	23068K 421282	530,000	560	H3064-SNP-1207 047632	102TT1207 047948	102ER1207 *046498	102AUX1207 046567
	3168	H4S-USDAF-3168 035945	CH4S-USDAF-3168 035946	23168K 052081	830,000	500	H3168-SNP-1207 047641	102TT1207 047948	102ER1207 *046498	102AUX1207 046567
	3268	H4S-USDAF-3268 037451	CH4S-USDAF-3268 037452	23268K 421293	1,000,000	480	H328-SNP-1207 047681	102TT1207 047948	102ER1207 *046498	102AUX1207 046567
12-1/2	068	H4S-USDAF-068 035183	CH4S-USDAF-068 035185	23068K 421282	530,000	560	H3068-SNP-1208 047635	102TT1208 047949	102ER1208 *046499	102AUX1208 046568
	3168	H4S-USDAF-3168 035945	CH4S-USDAF-3168 035946	23168K 052081	830,000	500	H31680-SNP-1208 047642	102TT1208 047949	102ER1208 *046499	102AUX1208 046568
	3268	H4S-USDAF-3268 037451	CH4S-USDAF-3268 037452	23268K 421293	1,000,000	480	H3268-SNP-1208 047682	102TT1208 047949	102ER1208 *046499	102AUX1208 046568
12-15/16	072	H4S-USDAF-072 044164	CH4S-USDAF-072 037429	23072K 422036	550,000	530	H3072-SNP-1215 043635	104TT1215 047950	104ER1215 *042090	102AUX1215 045796
13	072	H4S-USDAF-072 044164	CH4S-USDAF-072 037429	23072K 422036	550,000	530	H3072-SNP-1300 043636	104TT1300 047951	072ER1300 *042091	104AUX1300 045799
13-7/16	072L	H4S-USDAF-072L 044165	CH4S-USDAF-072L 037430	23072K 422036	550,000	530	H3072L-SNP-1307 043637	106TT1307 047952	106ER1307 *042092	106AUX1307 045802
	3172	H4S-USDAF-3172 037438	CH4S-USDAF-3172 037439	23172K 421288	850,000	480	H3172-SNP-1307 047643	106TT1307 047952	106ER1307 *042092	106AUX1307 045802
13-1/2	072L	H4S-USDAF-072L 044165	CH4S-USDAF-072L 037430	23072 422036	550,000	530	H3072L-SNP-1308 043638	106TT1308 047953	106ER1308 *042093	106AUX1308 045805
	3172	H4S-USDAF-3172 037438	CH4S-USDAF-3172 037439	23172K 421288	850,000	480	H3172-SNP-1308 045434	106TT1308 047953	106ER1308 *042093	106AUX1308 045805
13-15/16	076	H4S-USDAF-076 044166	CH4S-USDAF-076 037431	23076K 422054	570,000	500	H3076-SNP-1315 043639	108TT1315 047954	108ER1315 *042094	108AUX1315 045808
	3176	H4S-USDAF-3176 037440	CH4S-USDAF-3176 037441	23176K 421289	915,000	450	H3176-SNP-1315 047644	108TT1315 047954	108ER1315 *042094	108AUX1315 045808
14	076	H4S-USDAF-076 044166	CH4S-USDAF-076 037431	23076K 422054	570,000	500	H3076-SNP-1400 043640	108TT1400 047955	108ER1400 *042095	108AUX1400 046569
	3176	H4S-USDAF-3176 037440	CH4S-USDAF-3176 037441	23176K 421289	915,000	450	H3176-SNP-1400 047645	108TT1400 047955	108ER1400 *042095	108AUX1400 046569
15	080	H4S-USDAF-080 035417	CH4S-USDAF-080 035418	23080K 421283	680,000	450	H3080-SNP-1500 040830	110TT1500 047956	110ER1500 *050474	110AUX1500 046570
15-3/4	84	H4S-USDAF-084 035943	CH4S-USDAF-084 035944	23084K 421284	710,000	450	H3084-SNP-1512 047636	112TT1512 047957	112ER1512 *046566	112AUX1512 046572

NOTE: LER seals are made from Aluminum unless otherwise noted by the * symbol.

If an * appears by the part number, the LER seal is manufactured from Steel.

FEATURES/BENEFITS PAGE B15-3	SPECIFICATION/HOW TO ORDER PAGE B15-7	NOMENCLATURE PAGE B15-8	SELECTION PAGE B15-13
---------------------------------	--	----------------------------	--------------------------



SELECTION/DIMENSIONS

USDAF Housing Dimensions

Bearing Reference Guide

E-Family Roller Bearings

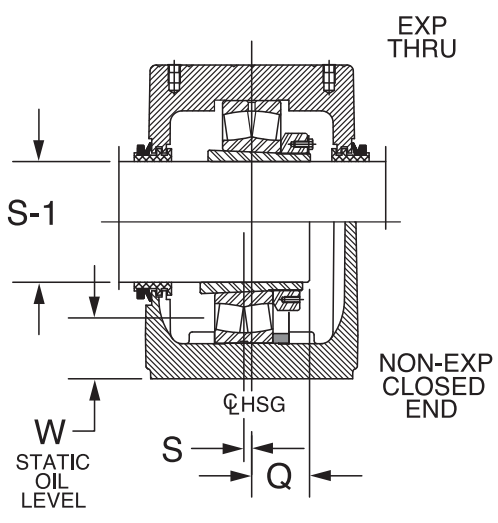
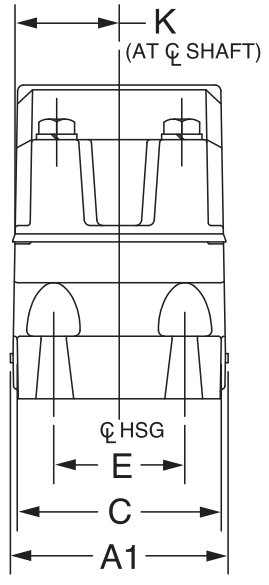
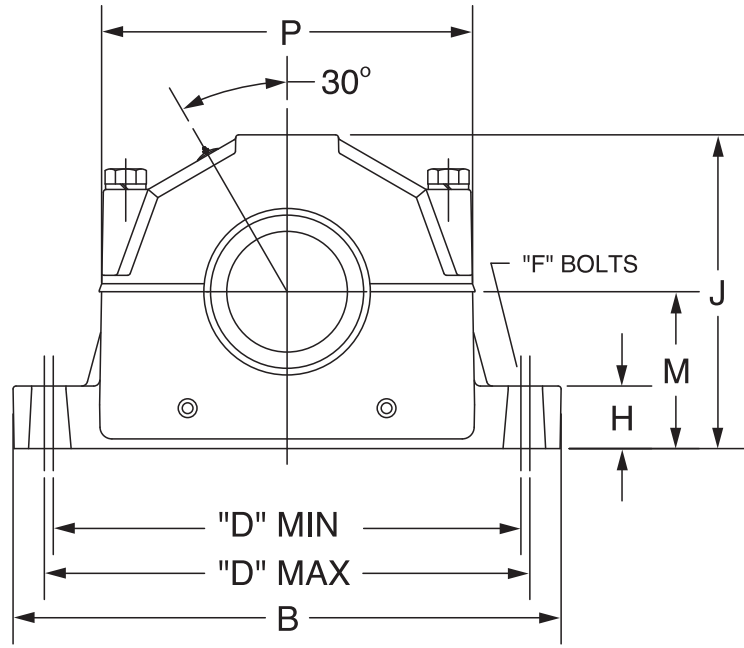
Specialty Tapered Products

S-2000

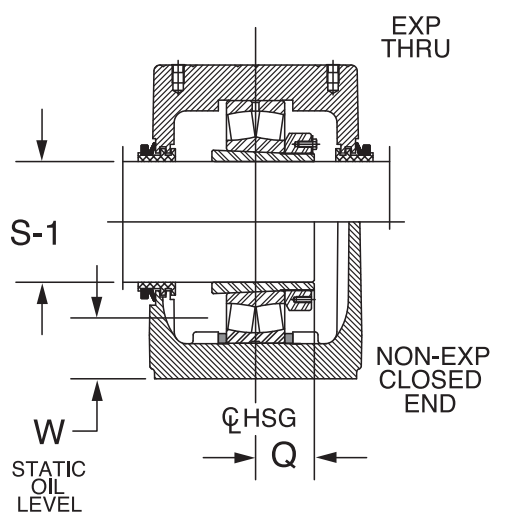
UNISPHERE II

IMPERIAL

UNIFIED SAF



23000 SERIES
(REQUIRES (1) STABILIZING RING)



23100, 23200 SERIES
(REQUIRES (2) STABILIZING RINGS)

FEATURES/BENEFITS PAGE B15-3	SPECIFICATION/HOW TO ORDER PAGE B15-7	NOMENCLATURE PAGE B15-8	SELECTION PAGE B15-13
---------------------------------	--	----------------------------	--------------------------



SELECTION/DIMENSIONS

USDAF Housing Dimensions

S-1 Shaft Size	Housing	Bearing Number	A1 ▲	B	C	D		E	F Base Bolt Size 4-Req'd	H
						Min	Max			
8-15/16 9	3248	23248K	14.28	35.00	13.75	29.00	30.50	8.75	1-5/8	3.75
9-7/16 9-1/2	3152 3252	23152K 23252K								
10-7/16 10-1/2	3156 3256	23156K 23256K	16.36	38.25	14.75	31.63	34.63	9.00	1-5/8	3.38
10-15/16 11	60 3160	23060K 23160K								
11-7/16 11-1/2	64	23064K								
11-15/16 12	064L									
12-7/16 12-1/2	68	23068K	15.85	39.00	15.25	32.00	34.00	10.00	1-7/8	4.19

S-1 Shaft Size	Housing	Bearing Number	J	K	M	P	Q ★	S •	Total Exp.
8-15/16 9	3248	23248K	20.88	6.83	10.25	23.94	4.88	0.00	3/8
9-7/16 9-1/2	3152 3252	23152K 23252K					4.63		3/8
10-7/16 10-1/2	3156 3256	23156K 23256K	23.44	7.72	12.00	26.50	5.42	0.00	3/4
10-15/16 11	60 3160	23060K 23160K					5.00	0.00	3/4
11-7/16 11-1/2	64	23064K					4.58	0.00	3/4
11-15/16 12	064L						4.31	0.19	3/8
12-7/16 12-1/2	68	23068K	24.00	7.47	12.00	26.38	4.81	0.19	3/8

- ▲ Housing Width With Drain Plugs
- ★ Distance Shaft Should Extend Beyond Housing Centerline If Pillow Block Is Closed End Style
- Non-expansion Bearing Offset From Centerline. For Expansion Bearing S = 0

FEATURES/BENEFITS PAGE B15-3	SPECIFICATION/HOW TO ORDER PAGE B15-7	NOMENCLATURE PAGE B15-8	SELECTION PAGE B15-13
---------------------------------	--	----------------------------	--------------------------

Bearing Reference Guide
 E-Family Roller Bearings
 Specialty Tapered Products
 S-2000
 UNISPHERE II
 IMPERIAL
 UNIFIED SAF



SELECTION/DIMENSIONS

USDAF Housing Dimensions

Bearing Reference Guide

E-Family Roller Bearings

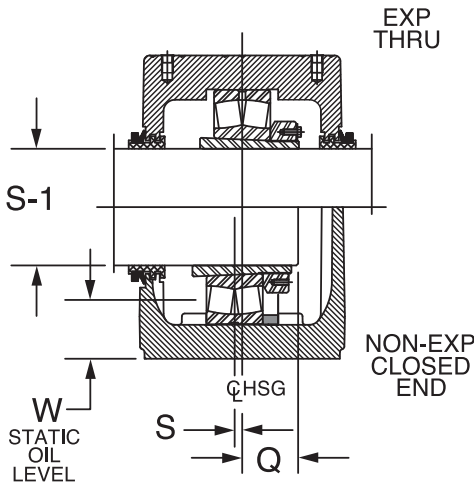
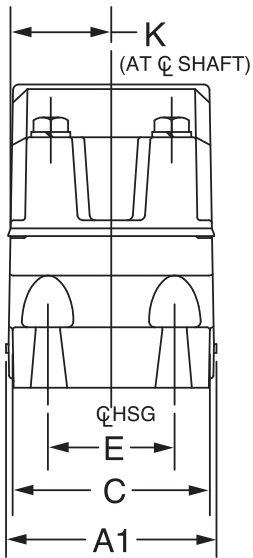
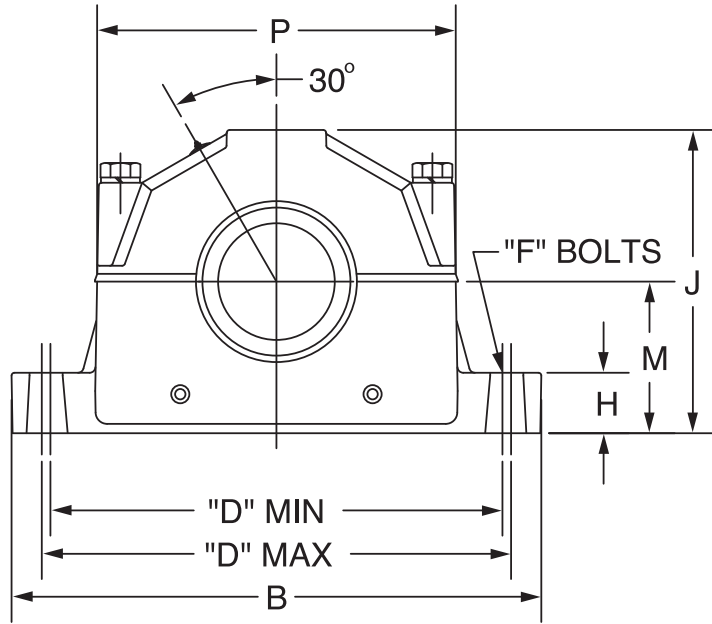
Specialty Tapered Products

S-2000

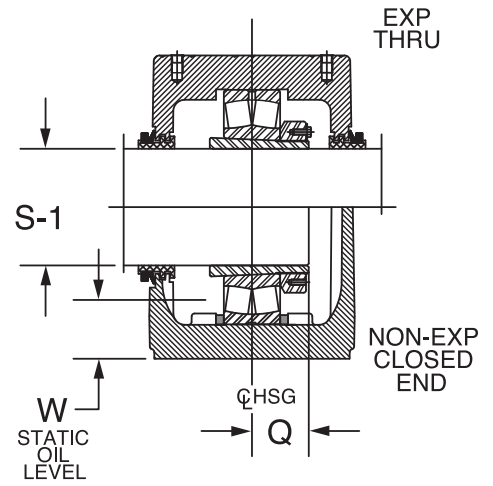
UNISPHERE II

IMPERIAL

UNIFIED SAF



23000 SERIES
(REQUIRES (1) STABILIZING RING)



23100, 23200 SERIES
(REQUIRES (2) STABILIZING RINGS)

FEATURES/BENEFITS PAGE B15-3	SPECIFICATION/HOW TO ORDER PAGE B15-7	NOMENCLATURE PAGE B15-8	SELECTION PAGE B15-13
---------------------------------	--	----------------------------	--------------------------



SELECTION/DIMENSIONS

USDAF Housing Dimensions

S-1 Shaft Size	Housing	Bearing Number	A1 ▲	B	C	D		E	F Base Bolt Size 4-Req'd	H
						Min	Max			
10-15/16 11	3260	23260K	16.98	41.75	15.75	35.00	36.50	10.25	1-7/8	4.50
11-15/16 12	3164	23164K								
12-15/16 13	072	23072K								
13-7/16 13-1/2	072L									
13-15/16 14	076	23076K	18.31	43.58	17.75	36.75	38.25	10.75	2	5.00
11-15/16 12	3264	23264K								
12-7/16	3168	23168K								
12-1/2	3268	23268K								
13-7/16 13-1/2	3172	23172K								
13-15/16 14	3176	23176K								
15	080	23080K								
15-3/4	084	23084K	18.38	46.00	17.13	39.25	40.75	11.00	2	5.25
11-15/16 12	3264	23264K								
12-7/16	3168	23168K								
12-1/2	3268	23268K								
13-7/16 13-1/2	3172	23172K								
13-15/16 14	3176	23176K								
15	080	23080K								
15-3/4	084	23084K								

S-1 Shaft Size	Housing	Bearing Number	J	K	M	P	Q ★	S •	Total Exp.
10-15/16 11	3260	23260K	25.75	8.16	12.81	29.13	5.95	0.00	3/4
11-15/16 12	3164	23164K					5.72	0.00	3/4
12-15/16 13	072	23072K					4.81	0.19	3/8
13-7/16 13-1/2	072L						3/8		
13-15/16 14	076	23076K	28.00	8.70	14.00	31.13	5.95	0.19	3/8
11-15/16 12	3264	23264K					6.22	0.00	1/2
12-7/16	3168	23168K					6.00	0.00	1/2
12-1/2	3268	23268K					6.66	0.00	1/2
13-7/16 13-1/2	3172	23172K					6.14	0.00	3/4
13-15/16 14	3176	23176K					6.31	0.00	3/4
15	080	23080K					5.36	0.19	3/8
15-3/4	084	23084K	5.39	0.19	3/8				

- ▲ Housing Width With Drain Plugs
- ★ Distance Shaft Should Extend Beyond Housing Centerline If Pillow Block Is Closed End Style
- Non-expansion Bearing Offset From Centerline. For Expansion Bearing S = 0

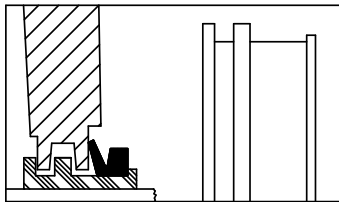
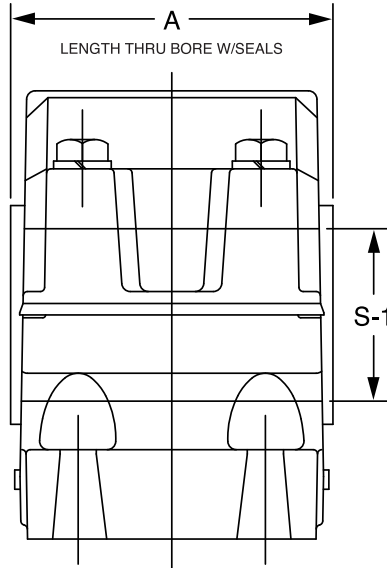
FEATURES/BENEFITS PAGE B15-3	SPECIFICATION/HOW TO ORDER PAGE B15-7	NOMENCLATURE PAGE B15-8	SELECTION PAGE B15-13
---------------------------------	--	----------------------------	--------------------------

Bearing Reference Guide
 E-Family Roller Bearings
 Specialty Tapered Products
 S-2000
 UNISPHERE II
 IMPERIAL
 UNIFIED SAF

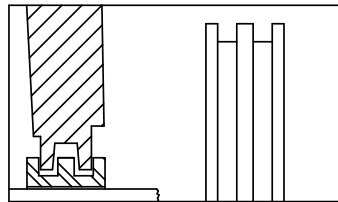


SELECTION/DIMENSIONS

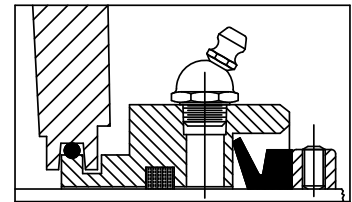
USDAF Pillow Block Seals



TRIPLE-TECT SEAL
General purpose seal for wet or dirty environments



LER SEAL
High speed seal for relatively clean environments



AUXILIARY TACONITE SEAL
For dusty environments and low to moderate speeds



SELECTION/DIMENSIONS

USDAF Pillow Block Seals - Inch

S-1 Shaft Size (Inch)	Housing	Seal Group	Part Numbers			A		
			TRIPLE-TECT (TT)	Metal Labyrinth (ER)	Auxiliary (AUX)	TT	ER	AUX*
10-15/16 11	060	96	047942 047943	042037 422588	045781 044440	16.53	15.25	19.84 19.59
11-7/16 11-1/2	064	98	047944 047945	042038 042039	045784 045787			19.84
11-15/16 2	064L	100	047946 047947	042040 422535	045790 045793	16.09	14.81	19.41
12-7/16 12-1/2	068	102	047948 047949	046498 046499	046567 046568	17.44	16.23	20.52
12-15/16 13	072	104	047950 047951	042090 042091	045796 045799			20.77
13-7/16 13-1/2	072L	106	047952 047953	042092 042093	045802 045805	18.63	17.42	21.97 22.23
13-15/16 14	076	108	047954 047955	042094 042095	045808 046569			18.25
15 15-3/4	080 084	110 112	047956 047957	050474 046566	046570 046572	13.86	13.44	18.25
9-7/16 9-1/2	3152	84	043538 422545	042510 422594	040900 040901	16.53	15.17	19.64
10-7/16 10-1/2	3156	94	047940 047941	042036 422573	045778 042396			19.84 19.59
10-15/16 11	3160	96	047942 047943	042037 422588	045781 044440	17.44	16.16	20.75
11-15/16 12	3164	100	047946 047947	042040 422535	045790 045793	18.63	17.36	21.94
12-7/16 12-1/2	3168	102	047948 047949	046498 046499	046567 046568			21.71
13-7/16 13-1/2	3172	106	047952 047953	042092 042093	045802 045805	17.42	17.42	21.97
13-15/16 14	3176	108	047954 047955	042094 042095	045808 046569			18.25
8-15/16 9	3248	90	043571 043572	042544 042545	040899 040995	14.78	13.44	18.25
9-7/16	3252	84	043538 422545	042510 422594	040900 040901	15.48	15.06	19.88
10-7/16 10-1/2	3256	94	047940 047941	042036 422573	045778 042396	16.53	15.17	19.64
10-15/16 11	3260	96	047942 047943	042037 422588	045781 044440	17.44	16.16	20.75 20.50
11-15/16 12	3264	100	047946 047947	042040 422535	045790 045793	18.63	17.36	21.94
12-7/16 12-1/2	3268	102	047948 047949	046498 046499	046557 046568			21.95

* Includes Collar

Bearing Reference Guide

E-Family Roller Bearings

Specialty Tapered Products

S-2000

UNISPHERE II

IMPERIAL

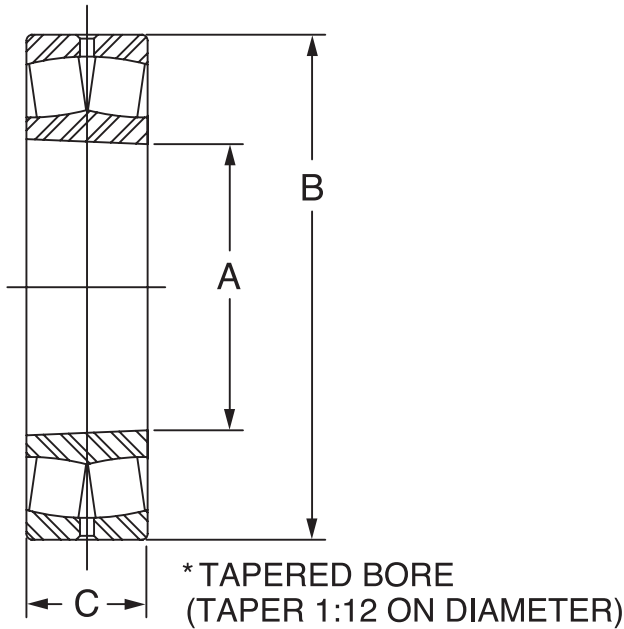
UNIFIED SAF

FEATURES/BENEFITS PAGE B15-3	SPECIFICATION/HOW TO ORDER PAGE B15-7	NOMENCLATURE PAGE B15-8	SELECTION PAGE B15-13
---------------------------------	--	----------------------------	--------------------------



SELECTION/DIMENSIONS

USDAF 23000, 23100, 23200 Spherical Roller Bearings

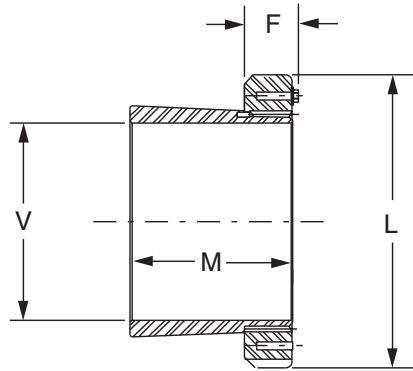


Housing	Bearing Number	Part Number	Approx. Weight (lbs)	A* inch (mm)	B inch (mm)	C inch (mm)
060	23060K	422582	150	11.8110(300)	18.1102(460)	4.6457(118)
064/064L	23064K	422531	161	12.5984(320)	18.8976(480)	4.7638(121)
068	23068K	421282	218	13.3858(340)	20.4724(520)	5.2362(133)
072/072L	23072K	422036	226	14.1732(360)	21.2598(540)	5.2756(134)
076	23076K	422054	240	14.9606(380)	22.0472(560)	5.3150(135)
080	23080K	421283	309	15.7480(400)	23.6220(600)	5.8268(148)
084	20384K	421284	330	16.5354(420)	24.4094(620)	5.9055(150)
3152	23152K	421294	192	10.2362(260)	17.3228(440)	5.6693(144)
3156	23156K	421285	205	11.0236(280)	18.1102(460)	5.7488(146)
3160	23160K	421286	268	11.8110(300)	19.6850(500)	6.2992(160)
3164	23164K	421287	350	12.5984(320)	21.2598(540)	6.9291(176)
3168	23168K	052081	440	13.3858(340)	22.8346(580)	7.4803(190)
3172	23172K	421288	463	14.1732(360)	23.6220(600)	7.5590(192)
3176	23176K	421289	487	14.9606(380)	24.4094(620)	7.6378(194)
3248	23248K	422511	225	9.4488(240)	17.3228(440)	6.2992(160)
3252	23252K	421290	295	10.2362(260)	18.8976(480)	6.8504(174)
3256	23256K	421291	311	11.0236(280)	19.6850(500)	6.9291(176)
3260	23260K	421292	405	11.8110(300)	21.2598(540)	7.5590(192)
3264	23264K	422844	519	12.5984(320)	22.8346(580)	8.1890(208)
3268	23268K	421293	629	13.3858(340)	24.4094(620)	8.8189(224)



SELECTION/DIMENSIONS

USDAF SNP Adapter Assembly



Housing	Bearing Number	SNP Number	Part Number	Approx Weight (Lbs)	V Shaft Size (In.)	L (In.)	F Max (In.)	M (In.)
60	23060K	SNP3060-1015	043581	59.0	10-15/16	14.19	1.94	6.72
		SNP3060-1100	422576	56.8	11			
64	23064K	SNP3064-1107	043582	82.7	11-7/16	15.01	2.03	6.94
		SNP3064-1108	043583	80.5	11-1/2			
064L		SNP3064-1115	043584	65.0	11-15/16			
		SNP3064-1200	422525	62.5	12			
68	23068K	SNP3068-1207	047632	78.0	12-7/16	15.76	2.16	7.53
		SNP3068-1208	047635	75.4	12-1/2			
72	23072K	SNP3072-1215	043635	107.7	12-15/16	16.51	2.16	7.57
		SNP3072-1300	043636	105.0	13			
072L		SNP3072-1307	043637	86.0	13-7/16			
		SNP3072-1308	043638	83.2	13-1/2			
76	23076K	SNP3076-1315	043639	94.3	13-15/16	17.76	2.36	7.73
		SNP3076-1400	043640	91.5	14			
80	23080K	SNP3080-1500	040830	100.0	15	18.51	2.52	8.4
84	23084K	SNP3084-1512	047636	105.0	15-3/4	19.32	2.52	8.49
3152	23152K	SNP3152-907	047630	44.0	9-7/16	12.19	1.77	7.58
		SNP3152-908	047631	42.0	9-1/2			
3156	23156K	H3156-SNP-1007	045431	30.06	10-7/16	13.01	1.85	7.76
		H3156-SNP-1008	047637	28.4	10-1/2			
3160	23160K	H3160-SNP-1015	047638	65.0	10-15/16	14.19	1.94	8.37
		H3160-SNP-1100	045464	62.4	11			
3164	23164K	H3164-SNP-1115	047639	74.0	11-15/16	15.01	2.03	9.1
		H3164-SNP-1200	050531	71.0	12			
3168	23168K	H3168-SNP-1207	047641	117.2	12-7/16	15.76	2.16	9.78
		H3168-SNP-1208	047642	113.8	12-1/2			
3172	23172K	H3172-SNP-1307	047643	120.0	13-7/16	16.51	2.16	9.85
		H3172-SNP-1308	045434	116.3	13-1/2			
3176	23176K	H3176-SNP-1315	047644	125.0	13-15/16	17.76	2.36	10.06
		H3176-SNP-1400	047645	121.1	14			
3248	23248K	SNP-148-815	047628	48.5	8-15/16	11.44	1.7	8.1
		SNP-148-900	047629	46.5	9			
3252	23252K	H3252-SNP-907	047646	54.5	9-7/16	12.19	1.75	8.76
		H3252-SNP-908	047647	52.2	9-1/2			
3256	23256K	H3256-SNP-1007	047648	59.0	10-7/16	13.01	1.85	8.94
		H3256-SNP-1008	047649	56.4	10-1/2			
3260	23260K	H3260-SNP-1015	047678	69.5	10-15/16	14.19	1.94	9.63
		H3260-SNP-1100	047679	65.5	11			
3264	23264K	H3264-SNP-1115	047680	98.0	11-15/16	15.01	2.03	10.36
		H3264-SNP-1200	422843	94.5	12			
3268	23268K	H3268-SNP-1207	047681	132.1	12-7/16	15.76	2.16	11.12
		H3268-SNP-1208	047682	128.2	12-1/2			

FEATURES/BENEFITS PAGE B15-3	SPECIFICATION/HOW TO ORDER PAGE B15-7	NOMENCLATURE PAGE B15-8	SELECTION PAGE B15-13
---------------------------------	--	----------------------------	--------------------------



SELECTION/DIMENSIONS

USAF 600 Adapter Mount Pillow Block with TRIPLE-TECT Seal Assembly

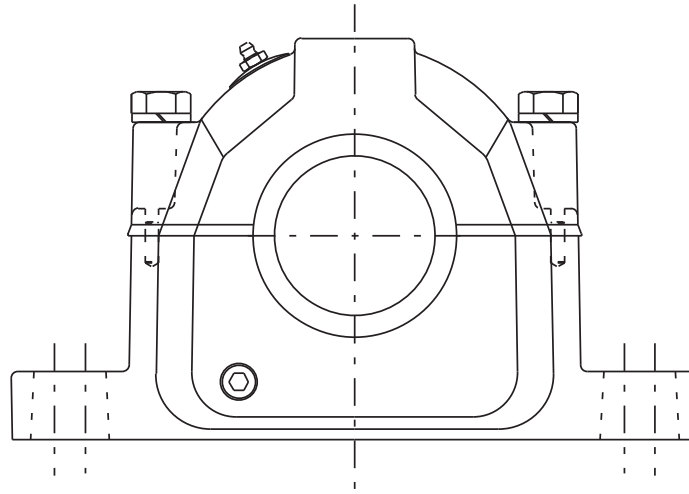


Table 17: Radial & Thrust Factors For USAF Spherical Bearings

Shaft Size		Bearing Series	e	F _A /F _R ≤ e		F _A /F _R > e		Adapter Maximum Allowable Thrust Load Pound †	Dynamic Capacity (C) Pounds	Static Capacity (C ₀) Lbs.	Maximum RPM	
Adapter Mounted Inches	Direct Mount mm			X	Y	X	Y				Grease	Oil
1-11/16	50	22310	.36	1	1.9	0.67	2.8	1348	51,000	50,000	3400	4300
1-15/16	55	22311	.36	1	1.9	0.67	2.8	1672	60,000	58,500	3200	4000
	60	22312	.35	1	1.9	0.67	3	-	69,500	69,500	2800	3600
2-3/16	65	22313	.34	1	2	0.67	3	2104	78,000	81,500	2600	3400
	70	22314	.34	1	2	0.67	3	-	86,500	86,500	2400	3200
2-7/16	75	22315	.34	1	2	0.67	3	2782	100,000	102,000	2200	3000
2-11/16	80	22316	.34	1	2	0.67	3	3128	112,000	114,000	2200	3000
2-15/16	85	22317	.33	1	2	0.67	3	3438	122,000	125,000	2000	2800
3-7/16	100	22320	.34	1	2	0.67	3	4920	183,000	208,000	1700	2200
3-15/16	110	22322	.33	1	2.1	0.67	3.1	5934	212,000	240,000	1500	1900
4-3/16	120	22324	.33	1	2.1	0.67	3.1	6959	240,000	265,000	1400	1800
4-7/16	130	22326	.33	1	2.1	0.67	3.1	8152	280,000	310,000	1300	1700
4-15/16	140	22328	.34	1	2	0.67	3	9628	325,000	365,000	1200	1600
5-3/16	150	22330	.33	1	2	0.67	3	10923	365,000	415,000	1100	1500
5-7/16	160	22332	.37	1	1.8	0.67	2.7	12298	325,000	365,000	1000	1400
5-15/16 6	170	22334	.37	1	1.8	0.67	2.7	13755	360,000	475,000	950	1300
6-15/16 7	190	22338	.28	1	2.4	0.67	3.6	11786	415,000	570,000	1200	1300
			.37	1	1.8	0.67	2.7	16910			850	1100

If the thrust load exceeds adapter maximum allowable thrust load, auxiliary methods of carrying thrust are required.

FEATURES/BENEFITS PAGE B15-3	SPECIFICATION/HOW TO ORDER PAGE B15-7	NOMENCLATURE PAGE B15-8	SELECTION PAGE B15-13
---------------------------------	--	----------------------------	--------------------------



SELECTION/DIMENSIONS

USAF 600 Adapter Mount Pillow Block with TRIPLE-TECT Seal Assembly

Shaft Dia S-1	Complete Pillow Block Part #	Housing W/ Stab Ring Part No.	Bearing Part No.	Dynamic Capacity (C), lbs.ʹ	Max RPM (Grease)	SNW Part No.	TRIPLE-TECT Part No.	TTDN Part No.	# LER Part No.	End Cover
1-11/16	P2B610-USAF-111TT 035929	H2S-610-USAF 035431	BRG22310KC3 423372	42,500	3,400	H2310-SNW-111 046680	10TT111 043579	---	10LER111 * 042199	EC10 040701
1-15/16	P2B611-USAF-115TT 039404	H2S-611-USAF 039760	BRG22311KC3 423102	50,000	3,200	H2311-SNW-115 046551	12TT115 043540	12TTDN115 039582	12LER115 042512	EC12 040702
	P4B611-USAF-115TT 039413	H4S-611-USAF 039762	BRG22311KC3 423102	50,000	3,200	H2311-SNW-115 046551	12TT115 043540	12TTDN115 039582	12LER115 042512	EC12 040702
2-3/16	P2B613-USAF-203TT 039405	H2S-613-USAF 039764	BRG22313KC3 423104	65,500	2,600	H2313-SNW-203 046552	14TT203 043541	14TTDN203 039583	14LER203 042513	EC14 040703
	P4B613-USAF-203TT 039414	H4S-613-USAF 039766	BRG22313KC3 423104	65,500	2,600	H2313-SNW-203 046552	14TT203 043541	14TTDN203 039583	14LER203 042513	EC14 040703
2-7/16	P2B615-USAF-207TT 039406	H2S-615-USAF 039768	BRG22315KC3 423106	83,000	2,200	H2315-SNW-207 046553	20TT207 043542	20TTDN207 039538	20LER207 042514	EC20 040704
	P4B615-USAF-207TT 039415	H4S-615-USAF 039770	BRG22315KC3 423106	83,000	2,200	H2315-SNW-207 046553	20TT207 043542	20TTDN207 039538	20LER207 042514	EC20 040704
2-11/16	P2B616-USAF-211TT 035930	H2S-616-USAF 035432	BRG22316KC3 423373	93,000	2,200	H2316-SNW-211 046682	24TT211 043544	24TTDN211 039855	24LER211 042516	EC24 040705
	P4B616-USAF-211TT 035931	H4S-616-USAF 035433	BRG22316KC3 423373	93,000	2,200	H2316-SNW-211 046682	24TT211 043544	24TTDN211 039855	24LER211 042516	EC24 040705
2-15/16	P2B617-USAF-215TT 039407	H2S-617-USAF 039772	BRG22317KC3 423108	102,000	2,000	H2317-SNW-215 046554	28TT215 043546	28TTDN215 039530	28LER215 042518	EC28 040706
	P4B617-USAF-215TT 039416	H4S-617-USAF 039774	BRG22317KC3 423108	102,000	2,000	H2317-SNW-215 046554	28TT215 043546	28TTDN215 039530	28LER215 042518	EC28 040706
3-7/16	P4B620-USAF-307TT 039417	H4S-620-USAF 039776	BRG22320KC3 423110	146,000	1,700	H2320-SNW-307 046555	46TT307 043549	46TTDN307 039859	46LER307 042521	EC46 040708
4-3/16	P4B624-USAF-403TT 039419	H4S-624-USAF 039780	BRG22324KC3 422140	204,000	1,400	H2324-SNW-403 046557	52TT403 043553	52TTDN403 039863	52LER403 042525	EC52 040710
4-7/16	P4B626-USAF-407TT 039420	H4S-626-USAF 039781	BRG22326KC3 423114	236,000	1,300	H2326-SNW-407 046558	54TT407 043554	54TTDN407 039864	54LER407 042526	EC54 040711
4-15/16	P4B628-USAF-415TT 039421	H4S-628-USAF 039553	BRG22328KC3 422035	275,000	1,200	H2328-SNW-415 046559	56TT415 043556	56TTDN415 039866	56LER415 042528	EC56 040712
5-3/16	P4B630-USAF-503TT 039422	H4S-630-USAF 039782	BRG22330KC3 423116	310,000	1,100	H2330-SNW-503 046560	58TT503 043558	---	58LER503 042530	EC58 040713
5-7/16	P4B632-USAF-507TT 039423	H4S-632-USAF 039783	BRG22332KC3 423118	325,000	1,000	H2332-SNW-507 046561	60TT507 043559	---	60LER507 042531	EC60 040714
5-15/16	P4B634-USAF-515TT 039424	H4S-634-USAF 039784	BRG22334KC3 423120	360,000	950	H2332-SNW-515 046562	64TT515 043560	---	64LER515 042533	EC64 040681
6	P4B634-USAF-600TT 039425	H4S-634-USAF 039784	BRG22334KC3 423120	360,000	950	H2334-SNW-600 046563	64TT600 043561	---	64LER600 042534	EC64 040681
6-15/16	P4B638-USAF-615TT 039426	H4S-638-USAF 039785	BRG22338KC3 423122	415,000	850	H2338-SNW-615 046564	72TT615 043564	---	72LER615 042537	EC72 040683
7	P4B638-USAF-700TT 039427	H4S-638-USAF 039785	BRG22338KC3 423122	415,000	850	H2338-SNW-700 046565	72TT700 043565	---	72LER700 042538	EC72 040683

NOTE: LER seals are made from Aluminum unless otherwise noted by the * symbol.

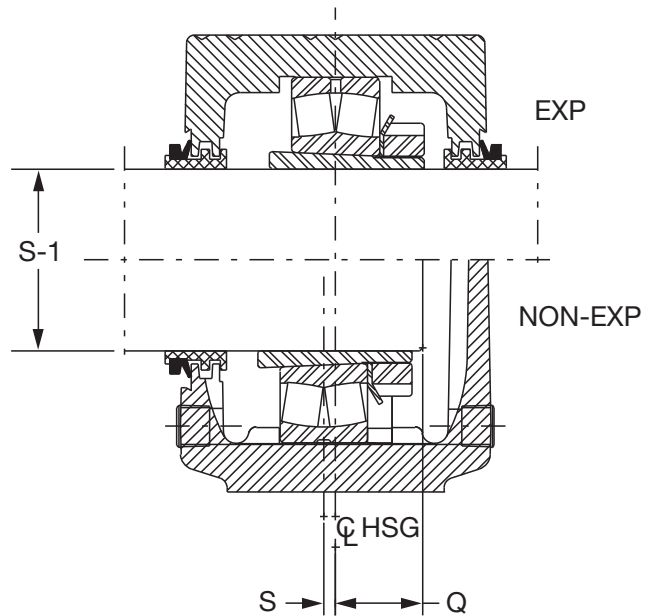
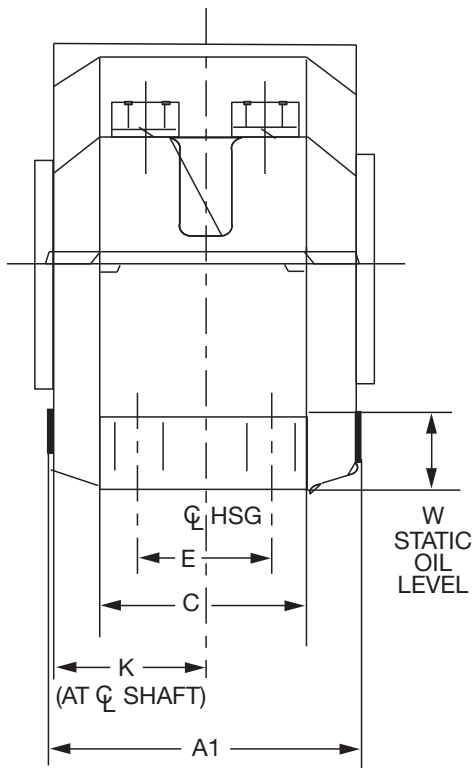
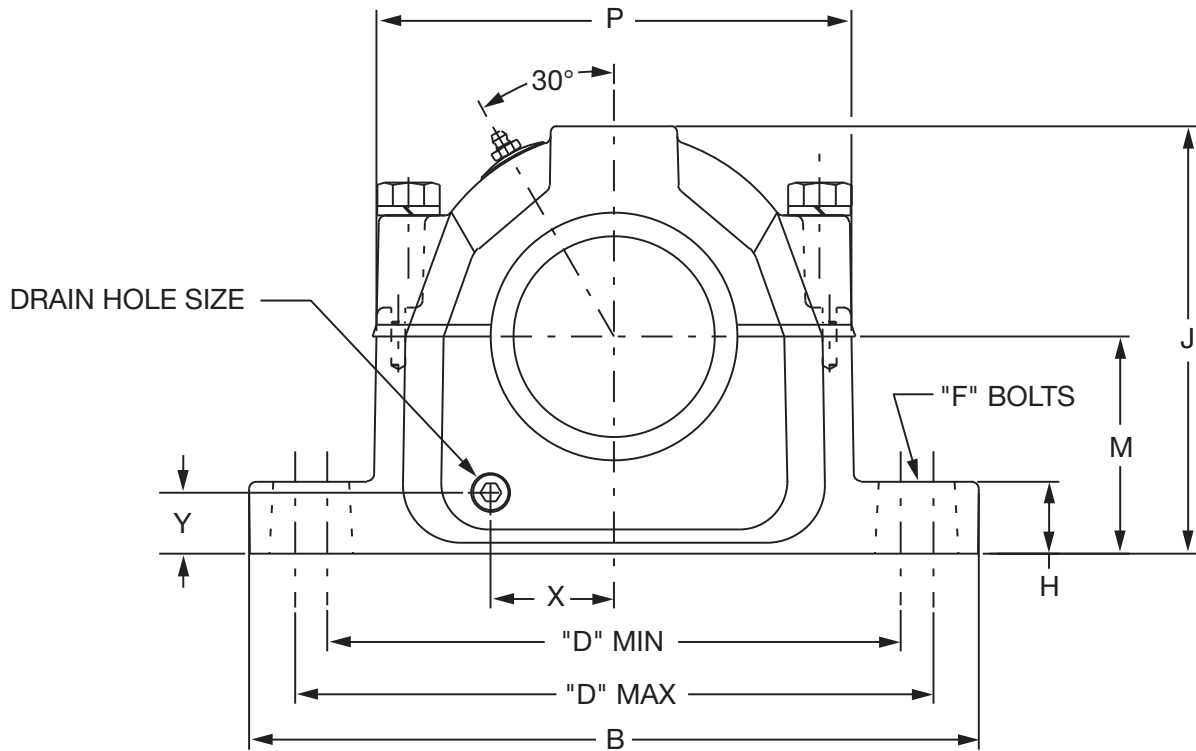
If an * appears by the part number, the LER seal is manufactured from Steel.

FEATURES/BENEFITS PAGE B15-3	SPECIFICATION/HOW TO ORDER PAGE B15-7	NOMENCLATURE PAGE B15-8	SELECTION PAGE B15-13
---------------------------------	--	----------------------------	--------------------------



SELECTION/DIMENSIONS

USAF 600 Housing Dimensions - Inch





SELECTION/DIMENSIONS

USAF 600 Housing Dimensions - Inch

S1 Shaft Size	Housing	A1 ▲	B	C	D				E	F	
					2-Bolt		4-Bolt			Bolt Dia.	
					Min	Max	Min	Max		2-Bolt	4-Bolt
1-11/16	610	4.70	10.63	2.75	7.75	9.00	-	-	-	5/8	-
1-15/16	611	4.64	11.00	3.38	8.13	9.50	8.13	9.50	1.88	5/8	1/2
2-3/16	613	5.44	12.59	3.50	9.63	11.00	9.63	11.00	2.13	3/4	5/8
2-7/16	615	6.16	13.63	3.88	10.25	11.75	10.38	11.63	2.13	3/4	5/8
2-11/16	616	6.38	14.17	3.88	10.88	12.38	10.63	12.50	2.13	3/4	5/8
2-15/16	617	6.78	15.36	4.34	11.63	13.13	11.63	13.13	2.38	7/8	3/4
3-7/16	620	8.05	16.50	4.72	-	-	13.25	14.50	2.75	-	3/4
4-3/16	624	9.36	20.88	6.25	-	-	16.75	18.25	3.75	-	1
4-7/16	626	9.92	21.66	6.25	-	-	17.38	19.25	3.75	-	1
4-15/16	628	9.91	24.75	6.75	-	-	19.38	21.63	4.25	-	1
5-3/16	630	10.41	26.75	7.13	-	-	20.88	23.63	4.63	-	1
5-7/16	632	10.81	28.00	7.50	-	-	21.63	24.38	4.50	-	1-1/4
5-15/16 6	634	11.53	28.75	8.00	-	-	22.50	25.00	5.00	-	1-1/4
6-15/16 7	638	12.30	32.75	8.88	-	-	24.75	27.88	5.25	-	1-1/2

S-1 Shaft Size	Housing	H	J	K	M	P	Q ★	S ●	W Static Oil Level	X	Y	Drain Hole Size
1-11/16	610	1.41	5.72	2.20	3.00	6.13	1.38	0.22	1.38	1.53	0.98	1/8-27NPSI
1-15/16	611	1.28	6.19	2.16	3.25	6.50	1.42	0.13	1.44	1.66	1.03	1/8-27NPSI
2-3/16	613	1.06	6.75	2.42	3.50	7.44	1.98	0.19	1.41	1.97	0.95	1/4-18NPSF
2-7/16	615	1.44	7.75	2.84	4.00	8.66	1.77	0.19	1.59	2.25	1.13	3/8-18NPSF
2-11/16	616	1.22	8.25	2.95	4.25	9.03	1.83	0.19	1.69	2.38	1.17	3/8-18NPSF
2-15/16	617	1.66	8.75	3.16	4.50	9.78	1.91	0.19	1.75	2.63	1.25	3/8-18NPSF
3-7/16	620	1.50	10.25	3.64	5.25	11.25	2.30	0.19	2.03	3.19	1.38	1/2-14NPSF
4-3/16	624	2.38	12.50	4.33	6.31	14.94	2.64	0.19	2.38	3.59	1.33	1/2-14NPSF
4-7/16	626	2.34	13.31	4.63	6.69	14.91	2.84	0.19	2.44	4.03	1.33	1/2-14NPSF
4-15/16	628	2.88	14.56	4.63	7.06	16.81	3.09	0.19	2.56	4.16	1.33	1/2-14NPSF
5-3/16	630	3.00	15.13	4.88	7.50	17.19	3.27	0.19	2.63	4.22	1.63	1/2-14NPSF
5-7/16	632	3.13	15.81	5.26	7.88	18.00	3.44	0.19	2.69	4.75	1.61	1/2-14NPSF
5-15/16 6	634	3.38	16.63	5.44	8.25	19.00	3.59	0.19	2.75	4.91	1.53	1/2-14NPSF
6-15/16 7	638	3.75	18.88	5.81	9.50	21.25	3.89	0.19	3.38	5.44	2.03	1/2-14NPSF

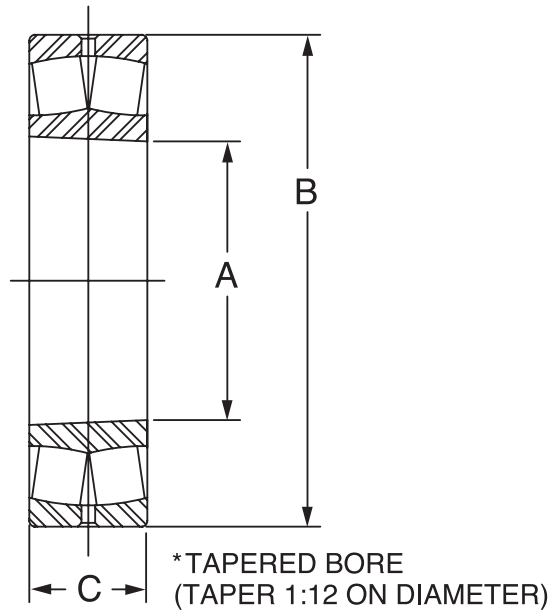
- ▲ Housing width with drain plugs
- ★ Distance shaft should extend beyond housing centerline if pillow block is closed end style
- Non-expansion bearing offset from centerline. For expansion bearing S = 0.

FEATURES/BENEFITS PAGE B15-3	SPECIFICATION/HOW TO ORDER PAGE B15-7	NOMENCLATURE PAGE B15-8	SELECTION PAGE B15-13
---------------------------------	--	----------------------------	--------------------------



SELECTION/DIMENSIONS

USAF 22300K Spherical Roller Bearings

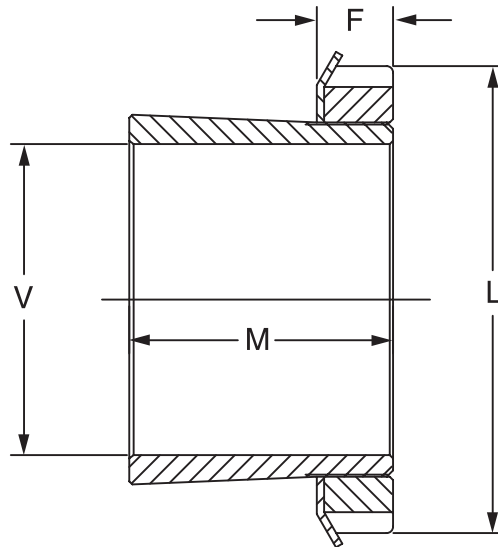


Shaft Size (Inch)	Housing	Bearing No.	Part No.	Approx. Wt (lbs)	A*	B	C
					Inch (mm)	Inch (mm)	Inch (mm)
1-7/16	609	22309K	423100	3.0	1.7717 (45)	3.9370 (100)	1.4171 (36)
1-11/16	610	22310K	423372	3.9	1.9685 (50)	4.3307 (110)	1.5748 (40)
1-15/16	611	22311K	423102	5.1	2.1654 (55)	4.7244 (120)	1.6929 (43)
2-3/16	613	22313K	423104	7.8	2.5591 (65)	5.5118 (140)	1.8898 (48)
2-7/16	615	22315K	423106	11.5	2.9528 (75)	6.2992 (160)	2.1654 (55)
2-11/16	616	22316K	423373	13.1	3.1496 (80)	6.6929 (170)	2.2835 (58)
2-15/16	617	22317K	423108	15.7	3.3465 (85)	7.0866 (180)	2.3622 (60)
3-7/16	620	22320K	423110	28.0	3.9370 (100)	8.4646 (215)	2.8740 (73)
3-15/16	622	22322K	423112	38.8	4.3307 (110)	9.4488 (240)	3.1496 (80)
4-3/16	624	22324K	422140	48.3	4.7244 (120)	10.2362 (260)	3.3858 (86)
4-7/16	626	22326K	423114	59.7	5.1181 (130)	11.0236 (280)	3.6614 (93)
4-15/16	628	22328K	422035	75.4	5.5118 (140)	11.8110 (300)	4.0157 (102)
5-3/16	630	22330K	423116	90.4	5.9055 (150)	12.5984 (320)	4.2520 (108)
5-7/16	632	22332K	423118	113.0	6.2992 (160)	13.3858 (340)	4.4882 (114)
5-15/16 6	634	22334K	423120	132.0	6.6929 (170)	14.1732 (360)	4.7244 (120)
6-15/16 7	638	22338K	423122	179.0	7.4803 (190)	15.7480 (400)	5.1969 (132)



SELECTION/DIMENSIONS

USAF 600 Adapter Assembly (SNW)



V Shaft Dia. (Inch)	Housing	Adapter Number	Part Number	Aprox. Wt (Lbs)	L (in)	F Max (In)	M (In)
1-7/16	609	H2309-107	046550	0.63	2.53	0.52	1.97
1-11/16	610	H2310-111	046680	0.80	2.69	0.58	2.17
1-15/16	611	H2311-115	046551	0.86	2.97	0.58	2.32
2-3/16	613	H2313-203	046552	1.50	3.38	0.64	2.56
2-7/16	615	H2315-207	046553	2.55	3.88	0.69	2.87
2-11/16	616	H2316-211	046682	3.00	4.16	0.69	3.07
2-15/16	617	H2317-215	046554	3.20	4.41	0.72	3.23
3-7/16	620	H2320-307	046555	5.30	5.19	0.83	3.82
3-15/16	622	H2322-315	046556	5.75	5.72	0.86	4.13
4-3/16	624	H2324-403	046557	7.4	6.12	0.92	4.41
4-7/16	626	H2326-407	046558	10.7	6.75	0.95	4.76
4-15/16	628	H2328-415	046559	12.0	7.09	1.02	5.16
5-3/16	630	H2330-503	046560	15.6	7.69	1.08	5.47
5-7/16	632	H2332-507	046561	21.7	8.06	1.14	5.79
5-15/16	634	H2334-515	046562	22.0	8.66	1.23	8.06
6		H2334-600	046563	21.0			
6-15/16	638	H2338-615	046564	22.9	9.47	1.30	6.65
7		H2338-700	046565	21.6			

FEATURES/BENEFITS PAGE B15-3	SPECIFICATION/HOW TO ORDER PAGE B15-7	NOMENCLATURE PAGE B15-8	SELECTION PAGE B15-13
---------------------------------	--	----------------------------	--------------------------



SELECTION/DIMENSIONS

USAF 200 Direct Mount Pillow Block with TRIPLE-TECT Seal Assembly

Bearing Reference Guide

E-Family Roller Bearings

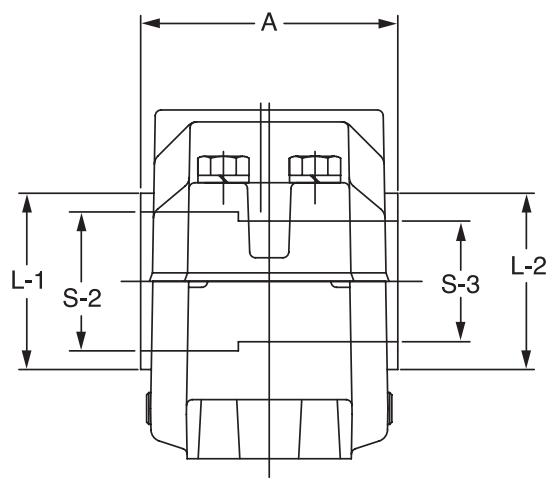
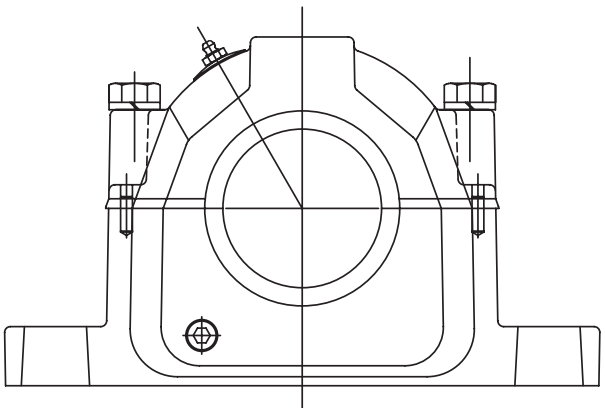
Specialty Tapered Products

S-2000

UNISPHERE II

IMPERIAL

UNIFIED SAF



FEATURES/BENEFITS PAGE B15-3	SPECIFICATION/HOW TO ORDER PAGE B15-7	NOMENCLATURE PAGE B15-8	SELECTION PAGE B15-13
---------------------------------	--	----------------------------	--------------------------



SELECTION/DIMENSIONS

USAF 200 Direct Mount Pillow Block with TRIPLE-TECT Seal Assembly

Shaft Dia.		Bearing Bore mm.	Complete Pillow Block Part #	Housing Part No.**	Bearing Part No.	Dynamic Capacity (C), lbs.	Max RPM (Grease)	Locknut Part No.
S-2	S-3							
3-7/16	2-13/16	75	P2B215-USAF-307TT 039175	H2S-215-USAF 039682	BRG22215C3 421265	48,000	3,400	AN15 460901
			P4B215-USAF-307TT 039177	H4S-215-USAF 039684	BRG22215C3 421265	48,000	3,400	AN15 460901
3-5/8	3	80	P2B216-USAF-310TT 039179	H2S-216-USAF 039686	BRG22216C3 421266	56,000	3,200	AN16 460902
			P4B216-USAF-310TT 039181	H4S-216-USAF 039688	BRG22216C3 421266	56,000	3,200	AN16 460902
3-15/16	3-3/16	85	P2B217-USAF-315TT 039183	H2S-217-USAF 039690	BRG22217C3 421267	68,000	3,000	AN17 460903
			P4B217-USAF-315TT 039185	H4S-217-USAF 039692	BRG22217C3 421267	68,000	3,000	AN17 460903
4-1/8	3-3/8	90	P2B218-USAF-402TT 039187	H2S-218-USAF 039694	BRG22218C3 421268	78,000	2,600	AN18 460904
			P4B218-USAF-402TT 039189	H4S-218-USAF 039696	BRG22218C3 421268	78,000	2,600	AN18 460904
4-1/2	3-13/16	100	P2B220-USAF-408TT 039191	H2S-220-USAF 039698	BRG22220C3 421269	96,500	2,200	AN20 460905
			P4B220-USAF-408TT 039193	H4S-220-USAF 039700	BRG22220C3 421269	96,500	2,200	AN20 460905
4-7/8	4-3/16	110	P4B222-USAF-414TT 039195	H4S-222-USAF 039702	BRG22222C3 421270	122,000	2,000	AN22 460906
5-5/16	4-9/16	120	P4B224-USAF-505TT 039197	H4S-224-USAF 039704	BRG22224C3 421271	143,000	1,900	AN24 041071
5-7/8	4-15/16	130	P4B226-USAF-514TT 039199	H4S-226-USAF 039706	BRG22226C3 421272	170,000	1,800	AN26 041064
6-1/4	5-5/16	140	P4B228-USAF-604TT 039201	H4S-228-USAF 039708	BRG22228C3 421273	196,000	1,700	AN28 041065
6-5/8	5-3/4	150	P4B230-USAF-610TT 039203	H4S-230-USAF 039710	BRG22230C3 421274	228,000	1,600	AN30 041072
7	6-1/16	160	P4B232-USAF-700TT 039205	H4S-232-USAF 039711	BRG22232C3 421275	260,000	1,500	AN32 041066
7-7/16	6-7/16	170	P4B234-USAF-707TT 039207	H4S-234-USAF 039712	BRG22234C3 421276	308,000	1,300	AN34 041067
7-13/16	6-7/8	180	P4B236-USAF-713TT 039209	H4S-236-USAF 039713	BRG22236C3 421277	308,000	1,300	AN36 041070
8-3/8	7-1/4	190	P4B238-USAF-806TT 039211	H4S-238-USAF 039714	BRG22238C3 421278	270,000	1,200	AN38 041068
8-3/4	7-5/8	200	P4B240-USAF-812TT 039213	H4S-240-USAF 039715	BRG22240C3 421279	300,000	900	AN40 040838
9-9/16	8-5/16	220	P4B244-USAF-909TT 039215	H4S-244-USAF 039716	BRG22244C3 421280	365,000	950	AN44 041069

Bearing Reference Guide

E-Family Roller Bearings

Specialty Tapered Products

S-2000

UNISPHERE II

IMPERIAL

UNIFIED SAF

FEATURES/BENEFITS PAGE B15-3	SPECIFICATION/HOW TO ORDER PAGE B15-7	NOMENCLATURE PAGE B15-8	SELECTION PAGE B15-13
---------------------------------	--	----------------------------	--------------------------



SELECTION/DIMENSIONS

USAF 200 Direct Mount Pillow Block With TRIPLE-TECT Seal Assembly

Bearing Reference Guide

E-Family Roller Bearings

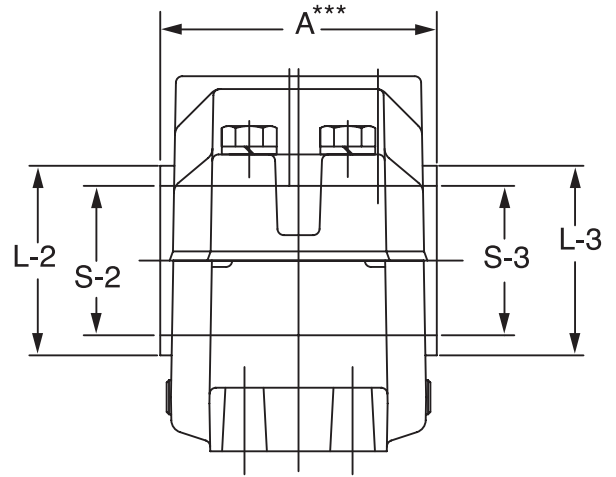
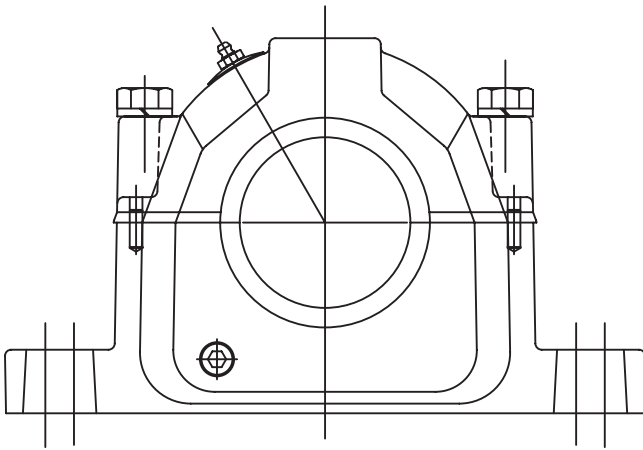
Specialty Tapered Products

S-2000

UNISPHERE II

IMPERIAL

UNIFIED SAF



FEATURES/BENEFITS PAGE B15-3	SPECIFICATION/HOW TO ORDER PAGE B15-7	NOMENCLATURE PAGE B15-8	SELECTION PAGE B15-13
---------------------------------	--	----------------------------	--------------------------



SELECTION/DIMENSIONS

USAF 200 Direct Mount Pillow Block With TRIPLE-TECT Seal Assembly

Shaft Dia.		Bearing Bore mm.	Lock washer Part No.	TRIPLE-TECT Part No.		TTDN Part No.		# LER Part No.		End Cover Part No.
S-2	S-3			S2	S3	S2	S3	S2	S3	
3-7/16	2-13/16	75	W15	38TT307	24TT213	38TTDN307	24TTDN213	38LER307	24LER213	EC24
			419150	046401	046400	039568	039289	*045928	*045927	040705
W15	38TT307		24TT213	38TTDN307	24TTDN213	38LER307	24LER213	EC24		
419150	046401		046400	039568	039289	045928	045927	040705		
3-5/8	3	80	W16	38TT310	28TT300	38TTDN310	28TTDN300	38LER310	28LER300	EC28
			419152	046402	043547	039291	039857	045931	042519	040706
W16	38TT310		28TT300	38TTDN310	28TTDN300	38LER310	28LER300	EC28		
419152	046402		043547	039291	039857	045931	042519	040706		
3-15/16	3-3/16	85	W17	42TT315	32TT303	42TTDN315	32TTDN303	42LER315	32LER303	EC32
			419154	046404	046403	039515	039292	042089	042088	057260
W17	42TT315		32TT303	42TTDN315	32TTDN303	42LER315	32LER303	EC32		
419154	046404		046403	039515	039292	042089	042088	057260		
4-1/8	3-3/8	90	W18	44TT402	36TT306	---	---	44LER402	36LER306	---
			419156	046406	046405	---	---	*045936	*045934	---
W18	44TT402		36TT306	---	---	44LER402	36LER306	---		
419156	046406		046405	---	---	*045936	*045934	---		
4-1/2	3-13/16	100	W20	54TT408	50TT313	---	---	54LER408	50LER313	EC50
			419158	043555	046407	---	---	042527	045939	040709
W20	54TT408		50TT313	---	---	54LER408	50LER313	EC50		
419158	043555		046407	---	---	042527	045939	040709		
4-7/8	4-3/16	110	W22	56TT414	52TT403	56TTDN414	52TTDN403	56LER414	52LER403	EC52
			419160	046408	043553	039297	039863	042098	042525	040710
W24	58TT510		54TT409	---	---	58LER505	54LER409	EC54		
419162	046411		046409	---	---	042248	045943	040711		
5-5/16	4-9/16	120	W26	62TT514	56TT415	---	---	62LER514	56LER415	EC56
			419164	046410	043556	---	---	042085	042528	040712
W28	66TT604		58TT505	---	---	66LER604	58LER505	EC58		
419166	046412		046411	---	---	042249	042248	040713		
6-1/4	5-5/16	140	W30	70TT610	62TT512	---	---	70LER610	62LER512	---
			419168	046414	046413	---	---	045951	045949	---
W32	72TT700		64TT601	---	---	72LER700	64LER601	EC64		
419170	043565		046415	---	---	042538	045953	040681		
7-7/16	6-7/16	170	W34	76TT707	68TT607	---	---	76LER707	68LER607	EC68
			419172	046416	043562	---	---	042049	042535	040682
W36	78TT711		72TT614	---	---	78LER711	72LER614	EC72		
419174	046417		046418	---	---	042221	042220	040683		
8-3/8	7-1/4	190	W38	80TT806	74TT704	---	---	*80LER806	*74LER704	EC74
			419176	046420	046419	---	---	042031	042032	040691
W40	82TT812		76TT710	---	---	*82LER812	*76LER710	EC7		
419171	046423		046422	---	---	045956	045955	040684		
9-9/16	8-5/16	220	W44	84TT909	80TT805	---	---	*84LER909	*80LER805	---
			419178	046425	046424	---	---	042029	042028	---

NOTE: LER seals are made from Aluminum unless otherwise noted by the * symbol.

If an * appears by the part number, the LER seal is manufactured from Steel.

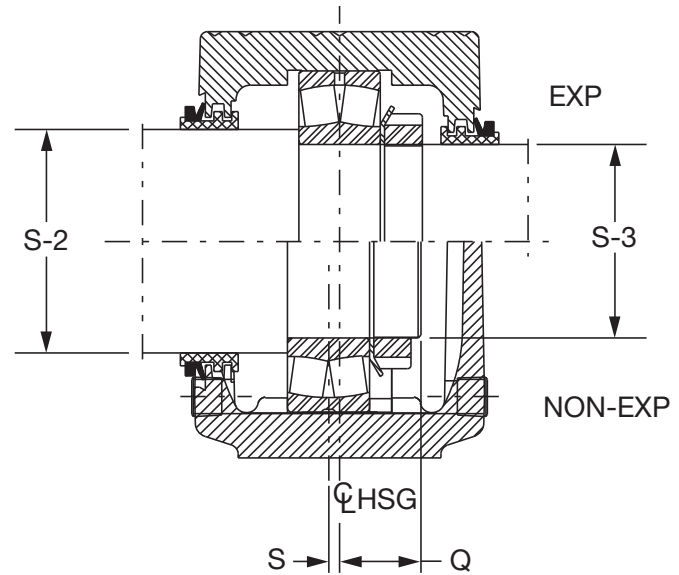
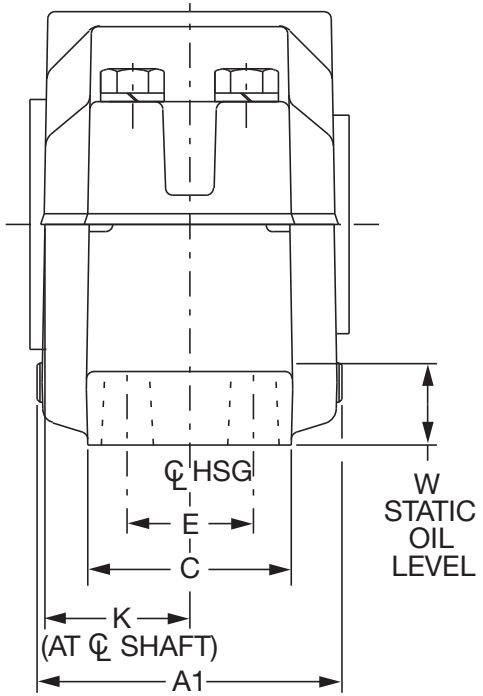
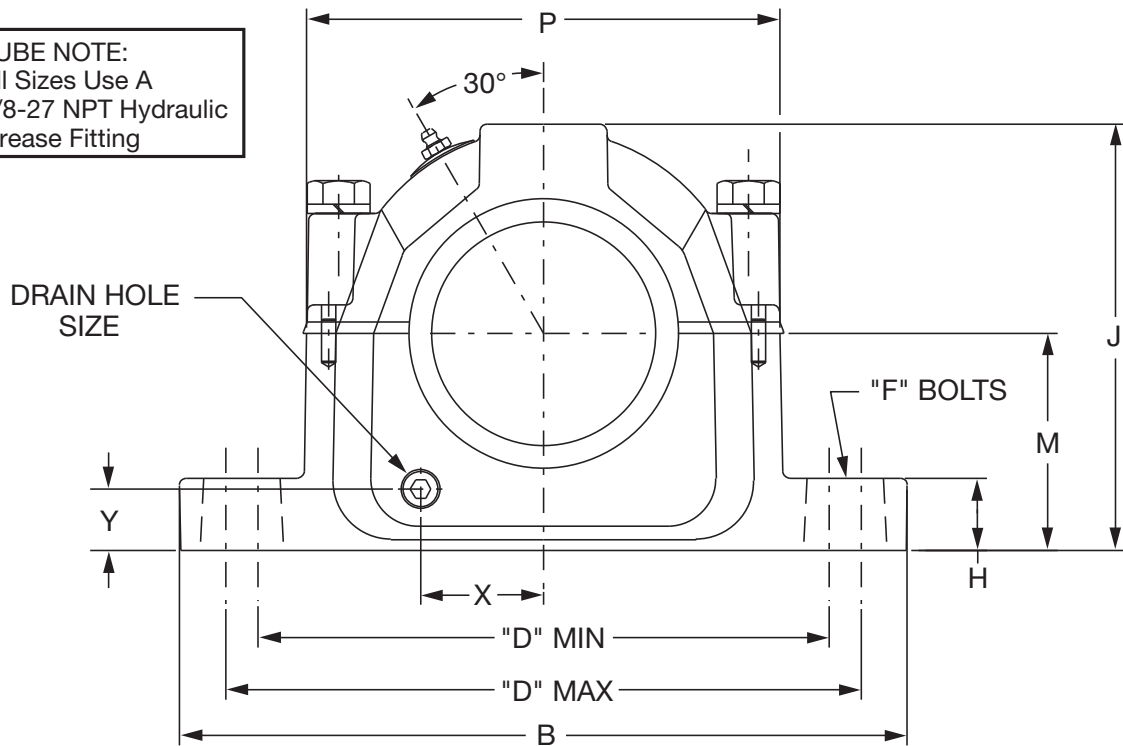
FEATURES/BENEFITS PAGE B15-3	SPECIFICATION/HOW TO ORDER PAGE B15-7	NOMENCLATURE PAGE B15-8	SELECTION PAGE B15-13
---------------------------------	--	----------------------------	--------------------------



SELECTION/DIMENSIONS

USAF 200 Housing Dimensions - Inch

LUBE NOTE:
All Sizes Use A
1/8-27 NPT Hydraulic
Grease Fitting





SELECTION/DIMENSIONS

USAF 200 Housing Dimensions - Inch

S-2 Shaft Size	S-3 Shaft Size	Housing	A1 ▲	B	C	D				E	F	
						2-Bolt		4-Bolt			Bolt Dia.	
						Min	Max	Min	Max		H	J
3-7/16	2-13/16	215	5.20	11.13	3.13	8.63	9.68	8.63	9.63	1.88	5/8	1/2
3-5/8	3	216	5.44	12.59	3.50	9.63	11.00	9.68	11.00	2.13	3/4	5/8
3-15/16	3-3/16	217	5.39	12.59	3.50	9.88	11.00	9.88	11.00	2.13	3/4	5/8
4-1/8	3-3/8	218	6.16	13.63	3.88	10.25	11.75	10.38	11.63	2.13	3/4	5/8
4-1/2	3-13/16	220	6.78	15.36	4.34	11.63	13.13	11.63	13.13	2.38	7/8	3/4
4-7/8	4-3/16	222	7.08	16.50	4.75	-	-	12.59	14.50	2.75	-	3/4
5-5/16	4-9/16	224	8.05	16.50	4.72	-	-	13.25	14.50	2.75	-	3/4
5-7/8	4-15/16	226	8.27	18.58	5.13	-	-	14.50	16.00	3.25	-	7/8
6-1/4	5-5/16	228	8.77	19.69	5.88	-	-	15.63	17.38	3.38	-	1
6-5/8	5-3/4	230	9.36	20.88	6.25	-	-	16.75	18.25	3.75	-	1
7	6-1/16	232	9.92	21.66	6.25	-	-	17.38	19.25	3.75	-	1
7-7/16	6-7/16	234	9.91	24.75	6.75	-	-	19.38	21.63	4.25	-	1
7-13/16	6-7/8	236	10.41	26.75	7.13	-	-	20.88	23.63	4.63	-	1
8-3/8	7-1/4	238	10.81	28.00	7.50	-	-	21.63	24.88	4.50	-	1-1/4
8-3/4	7-5/8	240	11.53	28.75	8.00	-	-	22.50	25.00	5.00	-	1-1/4
9-9/16	8-5/16	244	12.30	32.75	8.88	-	-	24.75	27.88	5.25	-	1-1/2

S-2 Shaft Size	S-3 Shaft Size	Housing	H	J	K	M	P	Q ★	S ●	W Static Oil Level	X	Y	Drain Hole Size
3-7/16	2-13/16	215	1.25	6.44	2.31	3.25	7.06	1.39	0.13	1.16	1.78	0.88	1/4-18NPSF
3-5/8	3	216	1.06	6.75	2.42	3.50	7.94	1.44	0.19	1.25	1.97	0.95	1/4-18NPSF
3-15/16	3-3/16	217	1.25	7.38	2.47	3.75	8.19	1.50	0.19	1.38	1.13	1.06	3/8-18NPSF
4-1/8	3-3/8	218	1.44	7.75	2.84	4.00	8.66	1.72	0.19	1.47	1.25	1.13	3/8-18NPSF
4-1/2	3-13/16	220	1.66	8.75	3.16	4.50	9.78	1.92	0.19	1.64	2.63	1.25	3/8-18NPSF
4-7/8	4-3/16	222	1.78	9.41	3.30	4.94	10.59	2.09	0.19	1.80	2.88	1.34	3/8-18NPSF
5-5/16	4-9/16	224	1.50	10.25	3.64	5.25	11.25	2.28	0.19	1.84	3.19	1.38	1/2-14NPSF
5-7/8	4-15/16	226	2.06	11.53	3.75	6.00	12.41	2.47	0.19	1.34	3.31	1.63	1/2-14NPSF
6-1/4	5-5/16	228	2.06	11.81	4.00	6.00	13.25	2.45	0.19	2.03	3.63	1.47	1/2-14NPSF
6-5/8	5-3/4	230	2.38	12.50	4.33	6.31	14.31	2.61	0.19	2.03	3.59	1.33	1/2-14NPSF
7	6-1/16	232	2.34	13.31	4.63	6.69	14.91	2.91	0.19	2.09	4.03	1.33	1/2-14NPSF
7-7/16	6-7/16	234	2.88	14.56	4.63	7.06	16.81	3.13	0.19	2.19	4.16	1.33	1/2-14NPSF
7-13/16	6-7/8	236	3.00	15.13	4.88	7.50	17.19	3.16	0.19	2.42	4.22	1.63	1/2-14NPSF
8-3/8	7-1/4	238	3.13	15.81	5.06	7.88	18.00	3.30	0.19	2.53	4.75	1.61	1/2-14NPSF
8-3/4	7-5/8	240	3.38	16.63	5.44	8.25	19.00	3.50	0.19	2.47	4.91	1.53	1/2-14NPSF
9-9/16	8-5/16	244	3.75	18.88	5.81	9.50	21.25	3.42	0.19	3.25	5.44	2.03	1/2-14NPSF

▲ Housing width with drain plugs

★ Distance shaft should extend beyond housing centerline if pillow block is closed end style

● Non-expansion bearing offset from centerline. For expansion bearing S = 0.

FEATURES/BENEFITS PAGE B15-3	SPECIFICATION/HOW TO ORDER PAGE B15-7	NOMENCLATURE PAGE B15-8	SELECTION PAGE B15-13
---------------------------------	--	----------------------------	--------------------------



SELECTION/DIMENSIONS

USAF 200 Pillow Block Seals

Bearing Reference Guide

E-Family Roller Bearings

Specialty Tapered Products

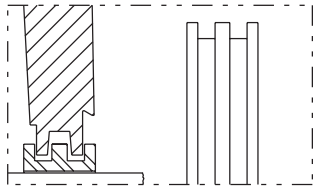
S-2000

UNISPHERE II

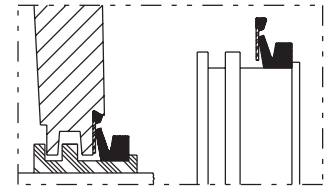
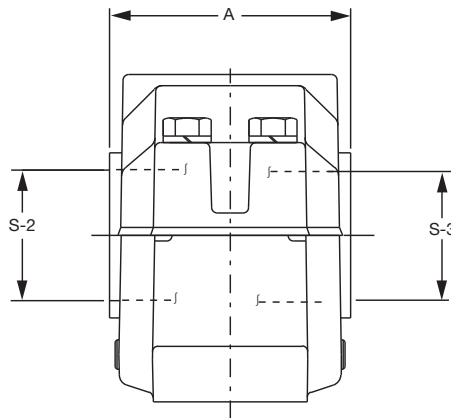
IMPERIAL

UNIFIED SAF

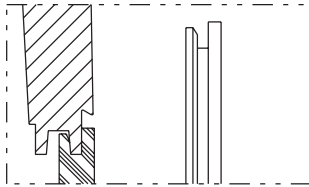
LENGTH THRU BORE W/SEALS



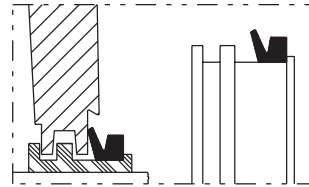
LER SEAL
High speed seal for relatively clean environments



DROP-IN TRIPLE-TECT Seal
DODGE exclusive. popular TRIPLE-TECT features with simplified installation.



END COVER Seal
Allows use of open shaft housing as closed-end



TRIPLE-TECT Seal
General purpose seal for wet or dirty environments

S-2 Shaft Size (Inch)	S-3 Shaft Size (Inch)	Housing	Seal Group		Part Number							A		
					TRIPLE-TECT (TT)		TRIPLE-TECT Drop-in (TTDN)		#Metal Labyrinth (LER)		End Cover Part No.	TT (Inch)	TTDN (Inch)	LER (Inch)
					S-2	S-3	S-2	S-3	S-2	S-3	S-3			
3-7/16	2-13/16	215	33	24	046401	046400	039568	039289	*045928	*045927	040705	5.09	5.09	4.47
3-5/8	3	216	38	28	046402	043547	039291	039857	045931	042519	040706	5.33	5.33	4.72
3-15/16	3-3/16	217	42	32	046404	046403	039515	039292	042089	042088	-	5.44	5.44	4.83
4-1/8	3-3/8	218	44	36	046406	046405	-	-	*045936	*045934	-	6.27	6.27	5.70
4-1/2	3-13/16	220	54	50	043555	046407	-	-	042527	045939	040709	6.84	6.84	6.31
4-7/8	4-3/16	222	56	52	046408	043553	039297	039863	042098	042525	040710	7.19	7.19	6.59
5-5/16	4-9/16	224	58	54	046411	046409	-	-	042248	045943	040711	7.91	7.91	7.31
5-7/8	4-15/16	226	62	56	046410	043556	-	-	042085	042528	040712	8.14	8.14	7.50
6-1/4	5-5/16	228	66	58	046412	046411	-	-	042249	042248	040713	8.53	8.53	7.88
6-5/8	5-3/4	230	70	62	046414	046413	-	-	045951	045949	-	9.41	9.41	8.70
7	6-1/16	232	72	64	043565	046415	-	-	042538	045953	040681	9.91	9.91	9.20
7-7/16	6-7/16	234	76	68	046416	043562	-	-	042049	042535	040682	9.83	9.83	9.13
7-13/16	6-7/8	236	78	72	046417	046418	-	-	042221	042220	040683	10.41	10.41	9.69
8-3/8	7-1/4	238	80	74	046420	046419	-	-	*042031	*042032	-	11.00	11.00	9.98
8-3/4	7-5/8	240	82	76	046423	046422	-	-	*045956	*045955	040684	11.78	11.78	10.72
9-9/16	8-5/16	244	84	80	046425	046424	-	-	*042029	*042028	040687	12.30	12.30	11.41

NOTE: LER seals are made from Aluminum unless otherwise noted by the * symbol.

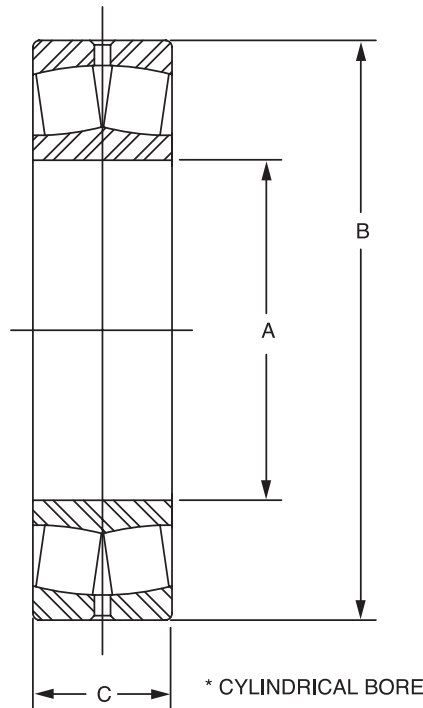
If an * appears by the part number, the LER seal is manufactured from Steel.

FEATURES/BENEFITS PAGE B15-3	SPECIFICATION/HOW TO ORDER PAGE B15-7	NOMENCLATURE PAGE B15-8	SELECTION PAGE B15-13
---------------------------------	--	----------------------------	--------------------------



SELECTION/DIMENSIONS

USAF 22200 Spherical Roller Bearings



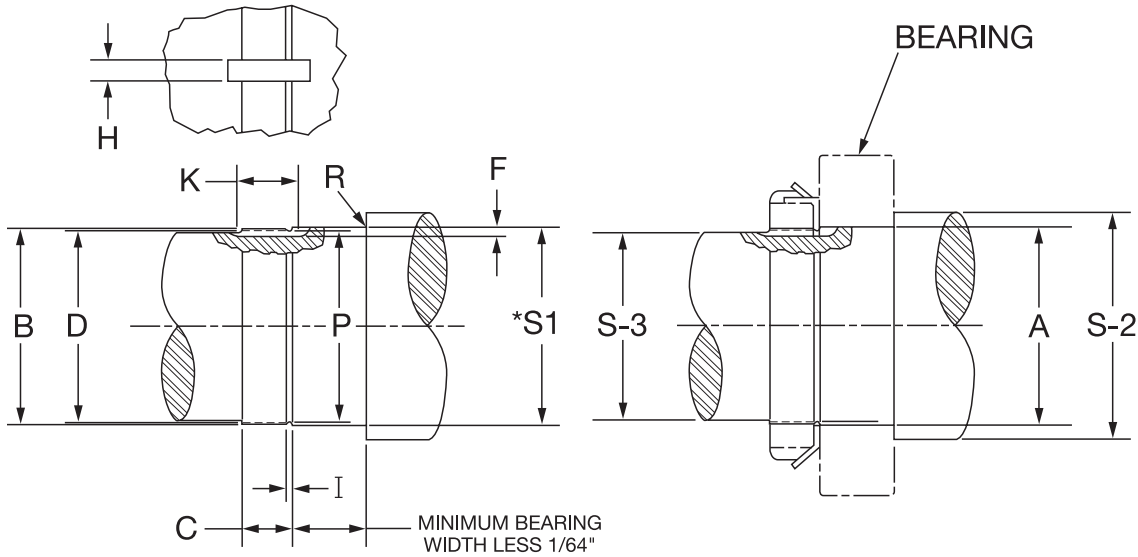
Bearing Bore mm	Housing	Bearing No.	Part No.	Approx. Wt. (lbs)	A Inch (mm)	B Inch (mm)	C Inch (mm)
75	215	22215	421265	3.6	2.9528 (75)	5.1181 (130)	1.2205 (31)
80	216	22216	421266	4.4	3.1496 (80)	5.5118 (140)	1.2992 (33)
85	217	22217	421267	5.5	3.3465 (85)	5.9055 (150)	1.4173 (36)
90	218	22218	421268	7.1	3.5433 (90)	6.2992 (160)	1.5748 (40)
100	220	22220	421269	10.4	3.9370 (100)	7.0866 (180)	1.8110 (46)
110	222	22222	421270	14.8	4.3307 (110)	7.8740 (200)	2.0866 (53)
120	224	22224	421271	18.7	4.7244 (120)	8.4646 (215)	2.2835 (58)
130	226	22226	421272	23.1	5.1181 (130)	9.0551 (230)	2.5197 (64)
140	228	22228	421273	29.8	5.5118 (140)	9.8425 (250)	2.6772 (68)
150	230	22230	421274	35.5	5.9055 (150)	10.6299 (270)	2.8740 (73)
160	232	22232	421275	47.8	6.2992 (160)	11.4173 (290)	3.1496 (80)
170	234	22234	421276	58.0	6.6929 (170)	12.2047 (310)	3.3858 (86)
180	236	22236	421277	60.8	7.0866 (180)	12.5984 (320)	3.3858 (86)
190	238	22238	421278	82.2	7.4803 (190)	13.3858 (340)	3.6220 (92)
200	240	22240	421279	97.9	7.8740 (200)	14.1732 (360)	3.8583 (98)
220	244	22244	421280	135.0	8.6614 (220)	15.7480 (400)	4.2520 (108)

FEATURES/BENEFITS PAGE B15-3	SPECIFICATION/HOW TO ORDER PAGE B15-7	NOMENCLATURE PAGE B15-8	SELECTION PAGE B15-13
---------------------------------	--	----------------------------	--------------------------



SELECTION/DIMENSIONS

USAF 200 Series Bearing Shaft Details



Nominal Bearing Bore Dia. (mm)	Shaft Bearing Seat Diameters (Inch)					
	Normal Load			High Load		
	* S-1		Mean Fit	* S-1		Mean Fit
	Max	Min		Max	Min	
75	2.9540	2.9532	.0011T	2.9543	2.9536	.0014T
80	3.1508	3.1501	.0012T	3.1511	3.1504	.0015T
85	3.3479	3.3470	.0014T	3.3484	3.3475	.0019T
90	3.5447	3.5438		3.5452	3.5443	
95	3.7416	3.7407		3.7421	3.7412	
100	3.9384	3.9375		3.9389	3.9380	
105	4.1353	4.1344		4.1358	4.1349	
110	4.3321	4.3312	.0016T	4.3326	4.3317	.0022T
120	4.7258	4.7249		4.7263	4.7254	
125	4.9229	4.9219		4.9235	4.9225	
130	5.1197	5.1187		5.1203	5.1193	
140	5.5134	5.5124		5.5140	5.5130	
150	5.9071	5.9061	.0019T	5.9077	5.9067	.0026T
160	6.3008	6.2998		6.3014	6.3004	
170	6.6945	6.6935		6.6951	6.6941	
180	7.0882	7.0872		7.0888	7.0878	
190	7.4821	7.4809		7.4829	7.4817	
200	7.8758	7.8746	.0032T	7.8772	7.8760	
220	8.6632	8.6620		8.6646	8.6634	

Normal Load
P/C = 0.10 TO 0.18

High Load
P/C > 0.18

Where: P= Equivalent dynamic load on the bearing (lbs.)
C= Basic dynamic load rating of bearing (lbs.)

FEATURES/BENEFITS PAGE B15-3	SPECIFICATION/HOW TO ORDER PAGE B15-7	NOMENCLATURE PAGE B15-8	SELECTION PAGE B15-13
---------------------------------	--	----------------------------	--------------------------



SELECTION/DIMENSIONS

USAF 200 Series Bearing Shaft Details

Bearing Reference Guide
 E-Family Roller Bearings
 Specialty Tapered Products
 S-2000
 UNISPHERE II
 IMPERIAL
 UNIFIED SAF

USAF 22200 BEARING SHAFT DIMENSIONS - INCH

Housing	Locknut & Washer Kit Part No.	A Brg Bore	S-2	S-3	Keyway			R Max Radius
					F Depth +1/64 -0	H Width +1/64 -0	K Full Depth Length	
215	046756	2.9528 (75mm)	3-7/16	2-13/16	1/8	5/16	15/16	0.059
216	046757	3.1496 (80 mm)	3-5/8	3	1/8	3/8	15/16	0.079
217	046758	3.3465 (85 mm)	3-15/16	3-3/16	1/8	3/8	31/32	0.079
218	046759	3.5433 (90 mm)	4-1/8	3-3/8	5/32	3/8	1-1/16	0.079
220	046760	3.9370 (100 mm)	4-1/2	3-13/16	5/32	3/8	1-3/16	0.079
222	046761	4.3307 (110 mm)	4-7/8	4-3/16	3/16	3/8	1-7/32	0.079
224	046762	4.7244 (120 mm)	5-5/16	4-9/16	3/16	3/8	1-1/4	0.079
226	046763	5.1181 (130 mm)	5-7/8	4-15/16	3/16	1/2	1-5/16	0.098
228	046764	5.5118 (140 mm)	6-1/4	5-5/16	3/16	5/8	1-3/8	0.098
230	046765	5.9055 (150 mm)	6-5/8	5-3/4	7/32	5/8	1-1/2	0.098
232	046766	6.2992 (160 mm)	7	6-1/16	15/64	5/8	1-9/16	0.098
234	046767	6.6929 (170 mm)	7-7/16	6-7/16	15/64	3/4	1-19/32	0.118
236	046768	7.0866 (180 mm)	7-13/16	6-7/8	15/64	3/4	1-5/8	0.118
238	046769	7.4803 (190 mm)	8-3/8	7-1/4	15/64	3/4	1-21/32	0.118
240	046770	7.8740 (200 mm)	8-3/4	7-5/8	15/64	7/8	1-23/32	0.118
244	046771	8.6614 (220 mm)	9-9/16	8-5/16	3/8	1-1/16	1-9/16	0.118

USAF 22200 BEARING SHAFT DIMENSIONS - INCH

Housing	Threads Per Inch	B Thread Major Dia		D Thread Pitch Dia		C Thread Length +1/64 -0	I Thread Relief +1/64 -0	P † Thread Relief DIA.
		Max	Min	Max	Min			
		215	12	2.9330	2.9218			
216	12	3.1370	3.1258	3.0829	3.0770	11/16	5/32	3.0035
217	12	3.3400	3.3288	3.2859	3.2800	23/32	5/32	3.2065
218	12	3.5270	3.5158	3.4729	3.4655	13/16	5/32	3.3935
220	12	3.9180	3.9068	3.8639	3.8565	7/8	5/32	3.7845
222	12	4.325	4.3138	4.2709	4.2626	29/32	5/32	4.1915
224	12	4.716	4.7048	4.6619	4.6536	15/16	5/32	4.5825
226	12	5.106	5.0948	5.0519	5.0436	1	5/32	4.9725
228	12	5.497	5.4858	5.4429	5.4346	1-1/16	5/32	5.3635
230	12	5.888	5.8768	5.8339	5.8256	1-1/8	5/32	5.7545
232	8	6.284	6.2688	6.2028	6.1937	1-3/16	1/4	6.0993
234	8	6.659	6.6438	6.5778	6.5687	1-7/32	1/4	6.4743
236	8	7.066	7.0508	6.9848	6.9757	1-1/4	1/4	6.8813
238	8	7.472	7.4568	7.3908	7.3817	1-9/32	1/4	7.2873
240	8	7.847	7.8318	7.7658	7.7544	1-11/32	1/4	7.6623
244	8	8.628	8.6128	8.5468	8.5347	1-3/8	1/4	8.4433

† Tolerance ±.005 through 2.6672 dia.; ±.010 for larger sizes

FEATURES/BENEFITS PAGE B15-3	SPECIFICATION/HOW TO ORDER PAGE B15-7	NOMENCLATURE PAGE B15-8	SELECTION PAGE B15-13
---------------------------------	--	----------------------------	--------------------------



SELECTION/DIMENSIONS

USAF 200 Series Locknuts & Washers

Bearing Reference Guide

E-Family Roller Bearings

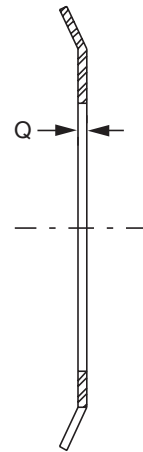
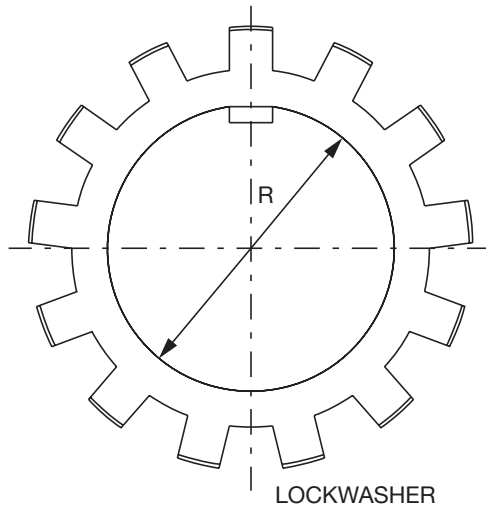
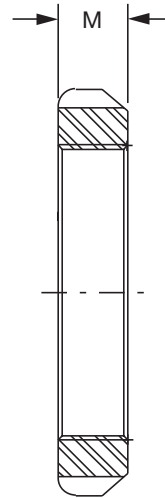
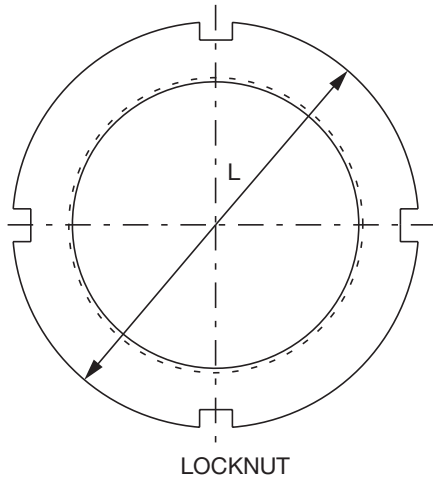
Specialty Tapered Products

S-2000

UNISPHERE II

IMPERIAL

UNIFIED SAF



FEATURES/BENEFITS PAGE B15-3	SPECIFICATION/HOW TO ORDER PAGE B15-7	NOMENCLATURE PAGE B15-8	SELECTION PAGE B15-13
---------------------------------	--	----------------------------	--------------------------



SELECTION/DIMENSIONS

USAF 200 Series Locknuts & Washers

Bearing Reference Guide

E-Family Roller Bearings

Specialty Tapered Products

S-2000

UNISPHERE II

IMPERIAL

UNIFIED SAF

Housing	Locknut		Lockwasher		L Inch	M Inch	R Inch	Q Inch
	Descrip.	Part No.	Descrip.	Part No.				
215	AN15	460901	W15	419150	3.88	0.59	2.988	0.072
216	AN16	460902	W16	419152	4.16	0.59	3.192	0.072
217	AN17	460903	W17	419154	4.41	0.62	3.410	0.072
218	AN18	460904	W18	419156	4.66	0.69	3.597	0.094
220	AN20	460905	W20	419158	5.19	0.75	4.003	0.094
222	AN22	460906	W22	419160	5.72	0.78	4.410	0.125
224	AN24	041071	W24	419162	6.12	0.81	4.816	0.125
226	AN26	041064	W26	419164	6.75	0.88	5.209	0.125
228	AN28	041065	W28	419166	7.09	0.94	5.600	0.125
230	AN30	041072	W30	419168	7.69	0.97	6.001	0.156
232	AN32	041066	W32	419170	8.06	1.03	6.407	0.156
234	AN34	041067	W34	419172	8.66	1.06	6.782	0.156
236	AN36	041070	W36	419174	9.06	1.09	7.189	0.156
238	AN38	041068	W38	419176	9.47	1.12	7.595	0.156
240	AN40	040838	W40	419171	9.84	1.19	8.000	0.156
244	N44	041069	W44	419178	11.00	1.25	8.719	0.156

FEATURES/BENEFITS
PAGE B15-3

SPECIFICATION/HOW TO ORDER
PAGE B15-7

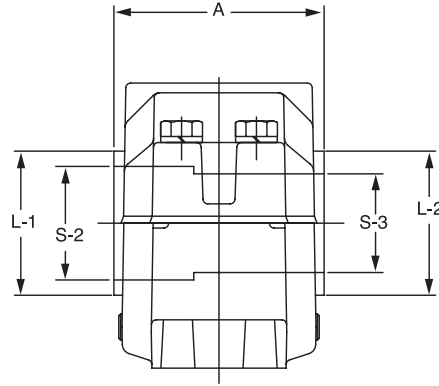
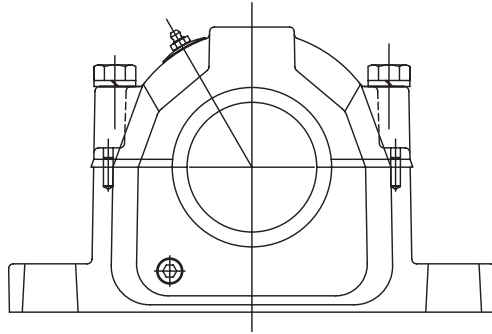
NOMENCLATURE
PAGE B15-8

SELECTION
PAGE B15-13



SELECTION/DIMENSIONS

USAF 300 Direct Mount Pillow Block With TRIPLE-TECT Seal Assembly



Shaft Dia.		Bearing Bore mm.	Complete Pillow Block Part No.	Housing Part No.**	Bearing Part No.	Dynamic Capacity (C), lbs.**	Max Rpm (Grease)	Shaft Locknut Part No.
S-2	S-3							
1-15/16	1-7/16	40	P2B308-USAF-115TT 039355	H2S-308-USAF 039717	BRG22308C3 423124	35,500	4,300	N08 407305
2-1/8	1-11/16	45	P2B309-USAF-202TT 039356	H2S-309-USAF 039719	BRG22309C3 423125	42,500	3,800	N09 419187
2-3/8	1-7/8	50	P2B310-USAF-206TT 035915	H2S-310-USAF 035437	BRG22310C3 423143	51,000	3,400	N10 419188
2-9/16	2-1/16	55	P2B311-USAF-209TT 039357	H2S-311-USAF 039721	BRG22311C3 423126	60,000	3,200	N11 419184
			P4B311-USAF-209TT 039371	H4S-311-USAF 039723	BRG22311C3 423126	60,000	3,200	N11 419184
2-7/8	2-1/4	60	P2B312-USAF-214TT 039358	H2S-312-USAF 039725	BRG22312C3 423127	69,500	2,800	N12 407302
			P4B312-USAF-214TT 039372	H4S-312-USAF 039727	BRG22312C3 423127	69,500	2,800	N12 407302
3-1/6	2-7/16	65	P2B313-USAF-301TT 039359	H2S-313-USAF 039729	BRG22313C3 423128	78,000	2,600	N13 419185
			P4B313-USAF-301TT 039373	H4S-313-USAF 039731	BRG22313C3 423128	78,000	2,600	N13 419185
3-1/4	2-5/8	70	P2B314-USAF-304TT 039360	H2S-314-USAF 039733	BRG22314C3 423129	86,500	2,400	N14 407036
			P4B314-USAF-304TT 039374	H4S-314-USAF 039735	BRG22314C3 423129	86,500	2,400	N14 407036
3-7/16	2-13/16	75	P2B315-USAF-307TT 039361	H2S-315-USAF 039737	BRG22315C3 423130	100,000	2,200	AN15 460901
			P4B315-USAF-307TT 039375	H4S-315-USAF 039739	BRG22315C3 423130	100,000	2,200	AN15 460901
3-5/8	3	80	P2B316-USAF-310TT 035916	H2S-316-USAF 035438	BRG22316C3 423144	112,000	2,200	AN16 460902
			P4B316-USAF-310TT 035917	H4S-316-USAF 035439	BRG22316C3 423144	112,000	2,200	AN16 460902
3-15/16	3-3/16	85	P2B317-USAF-315TT 039362	H2S-317-USAF 039741	BRG22317C3 423131	122,000	2,000	AN17 460903
			P4B317-USAF-315TT 039376	H4S-317-USAF 039743	BRG22317C3 423131	122,000	2,000	AN17 460903

FEATURES/BENEFITS PAGE B15-3	SPECIFICATION/HOW TO ORDER PAGE B15-7	NOMENCLATURE PAGE B15-8	SELECTION PAGE B15-13
---------------------------------	--	----------------------------	--------------------------



SELECTION/DIMENSIONS

USAF 300 Direct Mount Pillow Block With TRIPLE-TECT Seal Assembly

Bearing Reference Guide

E-Family Roller Bearings

Specialty Tapered Products

S-2000

UNISPHERE II

IMPERIAL

UNIFIED SAF

Shaft Dia.		Bearing Bore mm.	Lockwasher Part No.	TRIPLE-TECT Part No.		TTDN Part No.		# LER Part No.		End Cover Part No.
S-2	S-3			S-2	S-3	S2	S3	S-2	S-3	
1-15/16	1-7/16	40	W08	12TT115	08TT107	---	---	12LER115	08LER107	EC-08 040700
			419151	043540	043578			042512	042193	
2-1/8	1-11/16	45	W09	14TT202	10TT111	---	---	14LER202	10LER111	EC-10 040701
			419180	046464	043579			*046472	*042199	
2-3/8	1-7/8	50	W10	18TT206	12TT114	---	---	18LER206	12LER114	EC-12 040702
			419181	046166	046167			046175	046176	
2-9/16	2-1/16	55	W11	22TT209	14TT201	22TTDN209	14TTDN201	22LER209	14LER201	EC-14 040703
			419182	046466	046463	035748	035745	*046474	*046471	
2-7/8	2-1/4	60	W12	26TT214	14TT204	26TTDN214	14TTDN204	26LER214	14LER204	EC-14 040703
			419008	046468	046465	035750	035747	046476	046473	
3-1/6	2-7/16	65	W13	28TT301	22TT207	28TTDN301	22TTDN207	28LER301	22LER207	---
			419183	046469	046168	035751	035744	*046477	*046177	
3-1/4	2-5/8	70	W14	32TT304	22TT210	32TTDN304	22TTDN210	32LER304	22LER210	---
			419153	046470	046467	035752	035749	046478	046475	
3-7/16	2-13/16	75	W15	38TT307	24TT213	38TTDN307	24TTDN213	38LER307	24LER213	EC24 040705
			419150	046401	046400	039568	039289	*045928	*045927	
3-5/8	3	80	W16	38TT310	28TT300	38TTDN310	28TTDN300	38LER310	28LER300	EC28 040706
			419152	046402	042547	039291	039857	045931	042519	
3-15/16	3-3/16	85	W17	42TT315	32TT303	42TTDN315	32TTDN303	42LER315	32LER303	---
			419154	046404	046403	039515	039292	042089	042088	
			W17	42TT315	32TT303	42TTDN315	32TTDN303	42LER315	32LER303	---
			419154	046404	046403	039515	039292	042089	042088	---

NOTE: LER seals are made from Aluminum unless otherwise noted by the * symbol.

If an * appears by the part number, the LER seal is manufactured from Steel.

FEATURES/BENEFITS PAGE B15-3	SPECIFICATION/HOW TO ORDER PAGE B15-7	NOMENCLATURE PAGE B15-8	SELECTION PAGE B15-13
---------------------------------	--	----------------------------	--------------------------



SELECTION/DIMENSIONS

USAF 300 Direct Mount Pillow Block With TRIPLE-TECT Seal Assembly

Shaft Dia.		Bearing Bore mm.	Complete Pillow Block Part No.	Housing Part No.**	Bearing Part No.	Dynamic Capacity (C), lbs.	Max Rpm (Grease)	Locknut Part No.
S-2	S-3							
4-1/2	3-13/16	100	P4B320-USAF-408TT 039377	H4S-320-USAF 039745	BRG22320C3 423132	146,000	1,700	AN204 060905
4-7/8	4-3/16	110	P4B322-USAF-414TT 039378	H4S-322-USAF 039747	BRG22322C3 423133	180,000	1,500	AN224 060906
5-5/16	4-9/16	120	P4B324-USAF-505TT 039380	H4S-324-USAF 039749	BRG22324C3 423134	204,000	1,400	AN24 041071
5-7/8	4-15/16	130	P4B326-USAF-514TT 039381	H4S-326-USAF 039750	BRG22326C3 423135	236,000	1,300	AN26 041064
6-1/4	5-5/16	140	P4B328-USAF-604TT 039382	H4S-328-USAF 039751	BRG22328C3 423136	275,000	1,200	AN28 041065
6-5/8	5-3/4	150	P4B330-USAF-610TT 039383	H4S-330-USAF 039752	BRG22330C3 423137	310,000	1,100	AN30 041072
7	6-1/16	160	P4B332-USAF-700TT 039384	H4S-332-USAF 039753	BRG22332C3 423138	325,000	1,000	AN32 041066
7-7/16	6-7/16	170	P4B334-USAF-707TT 039385	H4S-334-USAF 039754	BRG22334C3 423139	360,000	950	AN34 041067
8-3/8	7-1/4	190	P4B338-USAF-806TT 039386	H4S-338-USAF 039755	BRG22338C3 423140	415,000	850	AN38 041068

Bearing Reference Guide

E-Family Roller Bearings

Specialty Tapered Products

S-2000

UNISPHERE II

IMPERIAL

UNIFIED SAF

FEATURES/BENEFITS PAGE B15-3	SPECIFICATION/HOW TO ORDER PAGE B15-7	NOMENCLATURE PAGE B15-8	SELECTION PAGE B15-13
---------------------------------	--	----------------------------	--------------------------



SELECTION/DIMENSIONS

USAF 300 Direct Mount Pillow Block With TRIPLE-TECT Seal Assembly

Shaft Dia.		Bearing Bore mm.	Lock-washer Part No.	TRIPLE-TECT Part No.		TTDN Part No.		# LER Part No.		End Cover Part No.
S2	S3			S-2	S-3	S-2	S-3	S2	S3	
4-1/2	3-13/16	100	W20	54TT408	50TT313	---	---	54LER408	50LER313	EC50
			419158	043555	046407			042527	045939	
4-7/8	4-3/16	110	W22	56TT414	52TT403	56TTDN414	52TTDN403	56LER414	52LER403	EC52
			419160	046408	043553	039297	039863	042098	042525	040710
5-5/16	4-9/16	120	W24	58TT510	54TT409	---	---	58LER505	54LER409	EC54
			419162	046411	046409			042248	045943	040711
5-7/8	4-15/16	130	W26	62TT514	56TT415	---	---	62LER514	56LER415	EC56
			419164	046410	043556			042085	042528	040712
6-1/4	5-5/16	140	W28	66TT604	58TT505	---	---	66LER604	58LER505	EC58
			419166	046412	046411			042249	042248	040713
6-5/8	5-3/4	150	W30	70TT610	62TT512	---	---	70LER610	62LER512	---
			419168	046414	046413			045951	045949	---
7	6-1/16	160	W32	72TT700	64TT601	---	---	72LER700	64LER601	EC64
			419170	043565	046415			042538	045953	040681
7-7/16	6-7/16	170	W34	76TT707	68TT607	---	---	76LER707	68LER607	EC68
			419172	046416	043562			042049	042535	040682
8-3/8	7-1/4	190	W38	80TT806	74TT704	---	---	80LER806	74LER704	EC74
			419176	046420	046419			*042031	*042032	040691

NOTE: LER seals are made from Aluminum unless otherwise noted by the * symbol.

If an * appears by the part number, the LER seal is manufactured from Steel.

Bearing Reference Guide

E-Family Roller Bearings

Specialty Tapered Products

S-2000

UNISPHERE II

IMPERIAL

UNIFIED SAF

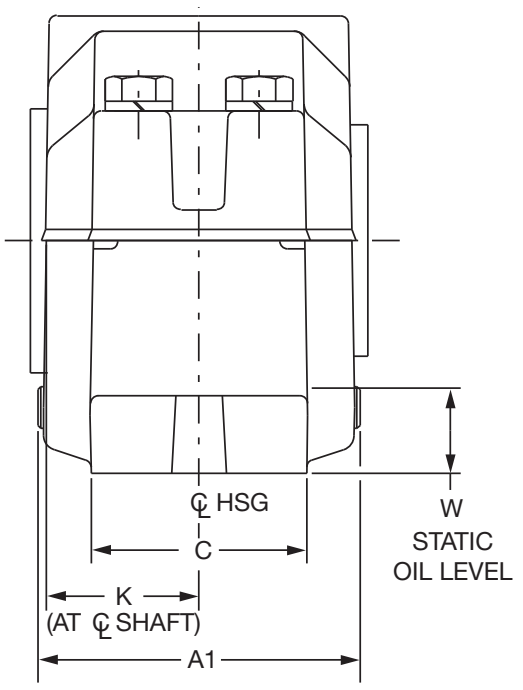
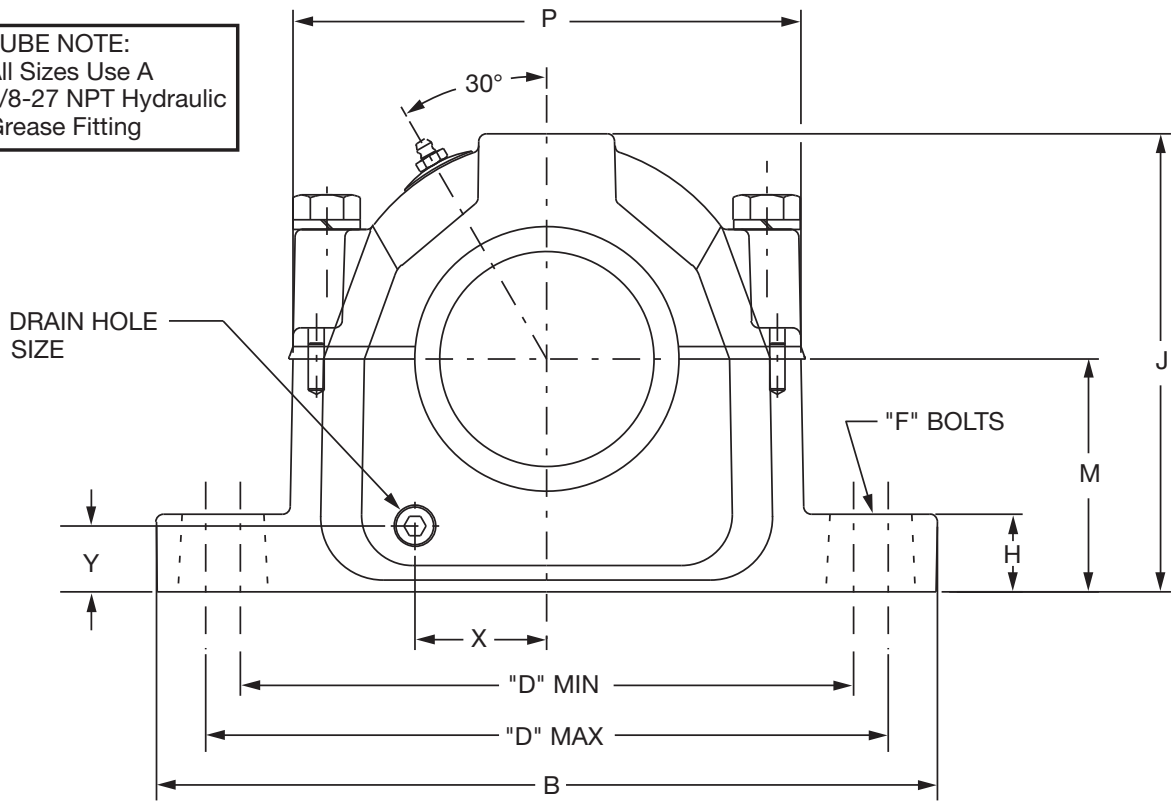
FEATURES/BENEFITS PAGE B15-3	SPECIFICATION/HOW TO ORDER PAGE B15-7	NOMENCLATURE PAGE B15-8	SELECTION PAGE B15-13
---------------------------------	--	----------------------------	--------------------------



SELECTION/DIMENSIONS

USAF 300 Housing Dimensions - Inch

LUBE NOTE:
All Sizes Use A
1/8-27 NPT Hydraulic
Grease Fitting



Bearing Reference Guide
E-Family Roller Bearings
Specialty Tapered Products
S-2000
UNISPHERE II
IMPERIAL
UNIFIED SAF

FEATURES/BENEFITS PAGE B15-3	SPECIFICATION/HOW TO ORDER PAGE B15-7	NOMENCLATURE PAGE B15-8	SELECTION PAGE B15-13
---------------------------------	--	----------------------------	--------------------------



SELECTION/DIMENSIONS

USAF 300 Housing Dimensions - Inch

S-2 Shaft Size	S-3 Shaft Size	Housing	A1 ▲	B	C	D				E	F	
						2-Bolt		4-Bolt			Bolt Dia.	
						Min	Max	Min	Max		2-Bolt	4-Bolt
1-15/16	1-7/16	308	4.06	8.25	2.34	6.50	7.00	-	-	-	1/2	-
2-1/8	1-11/16	309	4.25	9.63	2.75	7.38	8.25	-	-	-	5/8	-
2-3/8	1-7/8	310	4.70	10.63	2.75	7.75	9.00	-	-	-	5/8	-
2-9/16	2-1/16	311	4.64	11.00	3.13	8.13	9.50	8.13	9.50	1.88	5/8	1/2
2-7/8	2-1/4	312	5.20	11.13	3.13	8.63	9.63	8.63	9.63	1.88	5/8	1/2
3-1/16	2-7/16	313	5.44	12.59	3.50	9.63	11.00	9.63	11.00	2.13	3/4	5/8
3-1/4	2-5/8	314	5.39	12.59	3.50	9.88	11.00	9.88	11.00	2.13	3/4	5/8
3-7/16	2-13/16	315	6.16	13.63	3.88	10.25	11.75	10.38	11.63	2.13	3/4	5/8
3-5/8	3	316	6.38	14.17	3.88	10.88	12.38	10.63	12.50	2.13	3/4	5/8
3-15/16	3-3/16	317	6.78	15.36	4.34	11.63	13.13	11.63	13.13	2.38	7/8	3/4
4-1/2	3-13/16	320	8.05	16.50	4.72	-	-	13.25	14.50	2.75	-	3/4
4-7/8	4-3/16	322	8.27	18.38	5.13	-	-	14.50	16.00	3.25	-	7/8
5-5/16	4-9/16	324	9.36	20.88	6.25	-	-	16.75	18.25	3.75	-	1
5-7/8	4-15/16	326	9.92	21.66	6.25	-	-	17.38	19.25	3.75	-	1
6-1/4	5-5/16	328	9.91	24.75	6.75	-	-	19.38	21.63	4.25	-	1
6-5/8	5-3/4	330	10.41	26.75	7.13	-	-	20.88	23.63	4.63	-	1
7	6-1/16	332	10.81	28.00	7.50	-	-	21.63	24.38	4.50	-	1-1/4
7-7/16	6-7/16	334	11.53	28.75	8.00	-	-	22.50	25.00	5.00	-	1-1/4
8-3/8	7-1/4	338	12.30	32.75	8.88	-	-	24.75	27.88	5.25	-	1-1/2

S-2 Shaft Size	S-3 Shaft Size	Housing	H	J	K	M	P	Q ★	S ●	W Static Oil Level	X	Y	Drain Hole Size
1-15/16	1-7/16	308	1.03	4.58	1.88	2.50	5.13	1.17	0.13	1.19	1.25	0.81	1/8-27NPSI
2-1/8	1-11/16	309	1.03	5.25	1.97	2.75	5.78	1.23	0.13	1.28	1.94	0.83	1/8-27NPSI
2-3/8	1-7/8	310	1.41	5.72	2.20	3.00	6.13	1.38	0.22	1.38	1.53	0.95	1/8-27NPSI
2-9/16	2-1/16	311	1.03	5.94	2.16	3.00	6.50	1.42	0.13	1.44	1.66	0.78	1/8-27NPSI
2-7/8	2-1/4	312	1.25	6.44	2.31	3.25	7.06	1.52	0.13	1.31	1.78	0.88	1/4-18NPSF
3-1/16	2-7/16	313	1.06	6.75	2.42	3.50	7.94	1.58	0.19	1.41	1.97	0.95	1/4-18NPSF
3-1/4	2-5/8	314	1.25	7.38	2.47	3.75	8.19	1.64	0.19	1.47	1.13	1.06	3/8-18NPSF
3-7/16	2-13/16	315	1.44	7.75	2.84	4.00	8.66	1.77	0.19	1.59	1.25	1.13	3/8-18NPSF
3-5/8	3	316	1.22	8.25	2.95	4.25	9.03	1.83	0.19	1.69	2.38	1.17	3/8-18NPSF
3-15/16	3-3/16	317	1.66	8.75	3.16	4.50	9.78	1.91	0.19	1.75	2.63	1.25	3/8-18NPSF
4-1/2	3-13/16	320	1.50	10.25	3.64	5.25	11.25	2.30	0.19	2.03	3.19	1.38	1/2-14NPSF
4-7/8	4-3/16	322	2.06	11.53	3.75	6.00	12.41	2.50	0.19	2.41	3.31	1.63	1/2-14NPSF
5-5/16	4-9/16	324	2.38	12.50	4.33	6.31	14.31	2.64	0.19	2.38	3.59	1.33	1/2-14NPSF
5-7/8	4-15/16	326	2.34	13.31	4.63	6.69	14.91	2.84	0.19	2.44	4.03	1.33	1/2-14NPSF
6-1/4	5-5/16	328	2.88	14.56	4.63	7.06	16.81	3.09	0.19	2.56	4.16	1.33	1/2-14NPSF
6-5/8	5-3/4	330	3.00	15.13	4.88	7.50	17.19	3.27	0.19	2.63	4.22	1.63	1/2-14NPSF
7	6-1/16	332	3.13	15.81	5.06	7.88	18.00	3.44	0.19	2.69	4.75	1.61	1/2-14NPSF
7-7/16	6-7/16	334	3.38	16.63	5.44	8.25	19.00	3.59	0.19	2.75	4.91	1.58	1/2-14NPSF
8-3/8	7-1/4	338	3.75	18.88	5.81	9.50	21.25	3.89	0.19	3.38	5.44	2.03	1/2-14NPSF

▲ Housing width with drain plugs. Length thru bore page B15-118.

★ Distance shaft should extend beyond housing centerline if pillow block is closed end style

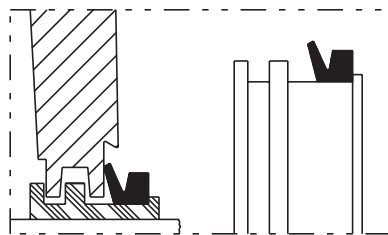
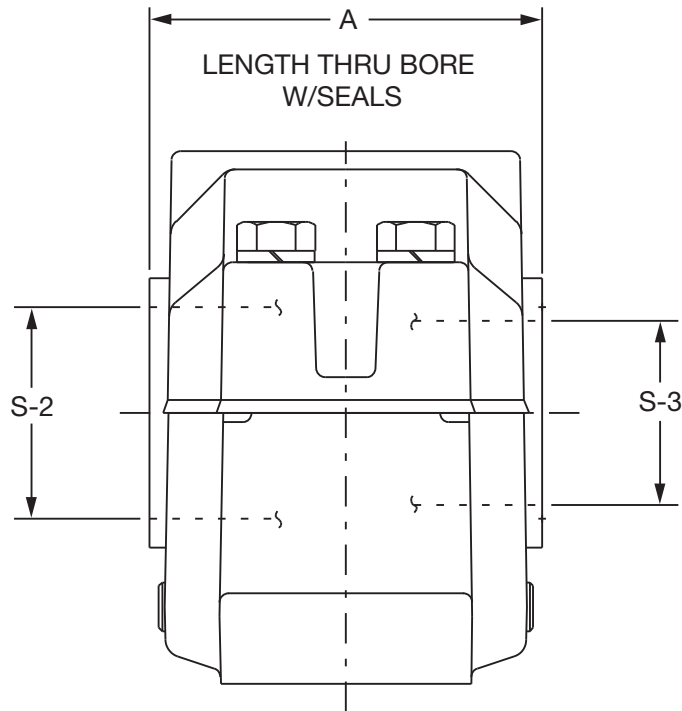
● Non-expansion bearing offset from centerline. For expansion bearing S = 0.

FEATURES/BENEFITS PAGE B15-3	SPECIFICATION/HOW TO ORDER PAGE B15-7	NOMENCLATURE PAGE B15-8	SELECTION PAGE B15-13
---------------------------------	--	----------------------------	--------------------------

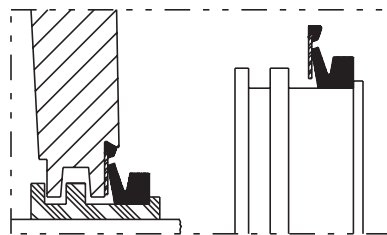


SELECTION/DIMENSIONS

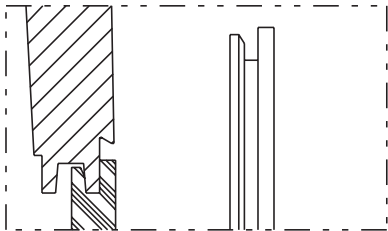
USAF 300 Pillow Block Seals



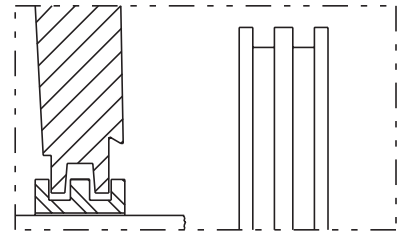
TRIPLE-TECT Seal
General purpose seal for wet or dirty environments



DROP-IN TRIPLE-TECT Seal
DODGE exclusive. Popular TRIPLE-TECT features simplify installation.



END COVER Seal
Allows use of open shaft housing as closed-end



LER Seal
High speed seal for relatively clean environments

FEATURES/BENEFITS PAGE B15-3	SPECIFICATION/HOW TO ORDER PAGE B15-7	NOMENCLATURE PAGE B15-8	SELECTION PAGE B15-13
---------------------------------	--	----------------------------	--------------------------



SELECTION/DIMENSIONS

USAF 300 Pillow Block Seals

S-2 Shaft Size (Inch)	S-3 Shaft Size (Inch)	Housing	Seal Group		Part Number							A		
					TRIPLE-TECT (TT)		TRIPLE-TECT Drop-In (TTDN)		# Metal Labyrinth (LER)		End Cover	TT (Inch)	TTDN (Inch)	LER (Inch)
					S-2	S-3	S-2	S-3	S-2	S-3	S-3			
1-15/16	1-7/16	308	12	8	043540	043578	-	-	042512	042193	040700	4.19	4.19	3.64
2-1/8	1-11/16	309	14	10	046464	043579	-	-	*046472	*042199	040701	4.36	4.36	3.83
2-3/8	1-7/8	310	18	12	046166	046167	-	-	046175	046176	040702	4.81	4.81	4.28
2-9/16	2-1/16	311	22	14	046466	046463	035748	035745	*046474	*046471	040703	4.80	4.80	4.19
2-7/8	2-1/4	312	26	14	046468	046465	035750	035747	046476	046473	040703	5.02	5.02	4.42
3-1/16	2-7/16	313	28	22	046469	046168	035751	035744	*046477	*046177	-	5.34	5.34	4.69
3-1/4	2-5/8	314	32	22	046470	046467	035752	035749	046478	046475	-	5.44	5.44	4.80
3-7/16	2-13/16	315	38	24	046401	046400	039290	039289	*045928	*045927	040705	6.20	6.20	5.59
3-5/8	3	316	38	28	046402	043547	039291	039857	045931	042519	040706	6.42	6.42	5.81
3-15/16	3-3/16	317	42	32	046404	046403	039515	039292	042089	042088	-	6.39	6.39	6.17
4-1/2	3-13/16	320	54	50	043555	046407	-	-	042527	045939	040709	7.86	7.86	7.33
4-7/8	4-3/16	322	56	52	046408	043553	039297	039863	042098	042525	040710	8.09	8.09	7.50
5-5/16	4-9/16	324	58	54	046411	046409	-	-	042248	045943	040711	9.28	9.28	8.69
5-7/8	4-15/16	326	62	56	046410	043556	-	-	042085	042528	040712	9.84	9.84	9.20
6-1/4	5-5/16	328	66	58	046412	046411	-	-	042249	042248	040713	9.78	9.78	9.13
6-5/8	5-3/4	330	70	62	046414	046413	-	-	045951	045949	-	10.39	10.39	9.70
7	6-1/16	332	72	64	043565	046415	-	-	*042538	*045953	040681	10.69	10.69	9.98
7-7/16	6-7/16	334	76	68	046416	043562	-	-	042049	042535	040682	11.44	11.44	10.73
8-3/8	7-1/4	338	80	74	046420	046419	-	-	042031	042032	-	12.44	12.44	11.70

NOTE: LER seals are made from Aluminum unless otherwise noted by the * symbol.
If an * appears by the part number, the LER seal is manufactured from Steel.

Bearing Reference Guide

E-Family Roller Bearings

Specialty Tapered Products

S-2000

UNISPHERE II

IMPERIAL

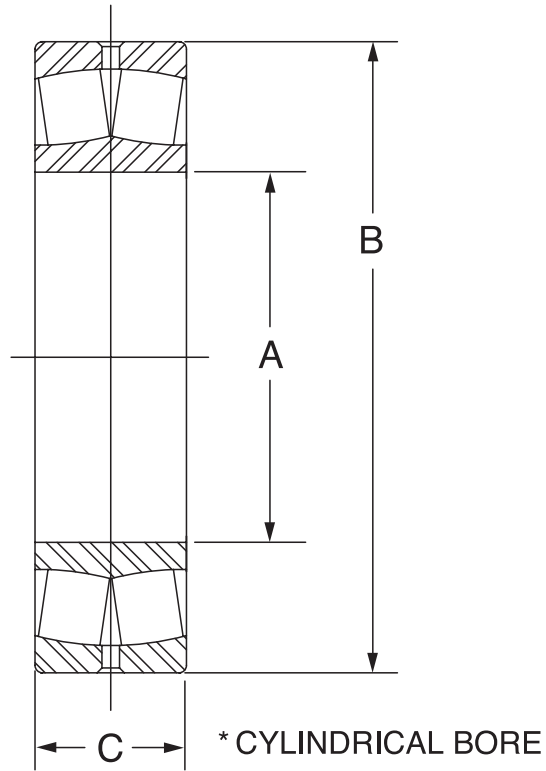
UNIFIED SAF

FEATURES/BENEFITS PAGE B15-3	SPECIFICATION/HOW TO ORDER PAGE B15-7	NOMENCLATURE PAGE B15-8	SELECTION PAGE B15-13
---------------------------------	--	----------------------------	--------------------------



SELECTION/DIMENSIONS

USAF 22300 Spherical Roller Bearings



Bearing Reference Guide

E-Family Roller Bearings

Specialty Tapered Products

S-2000

UNISPHERE II

IMPERIAL

UNIFIED SAF

FEATURES/BENEFITS PAGE B15-3	SPECIFICATION/HOW TO ORDER PAGE B15-7	NOMENCLATURE PAGE B15-8	SELECTION PAGE B15-13
---------------------------------	--	----------------------------	--------------------------



SELECTION/DIMENSIONS

USAF 22300 Spherical Roller Bearings

Bearing Reference Guide

E-Family Roller Bearings

Specialty Tapered Products

S-2000

UNISPHERE II

IMPERIAL

UNIFIED SAF

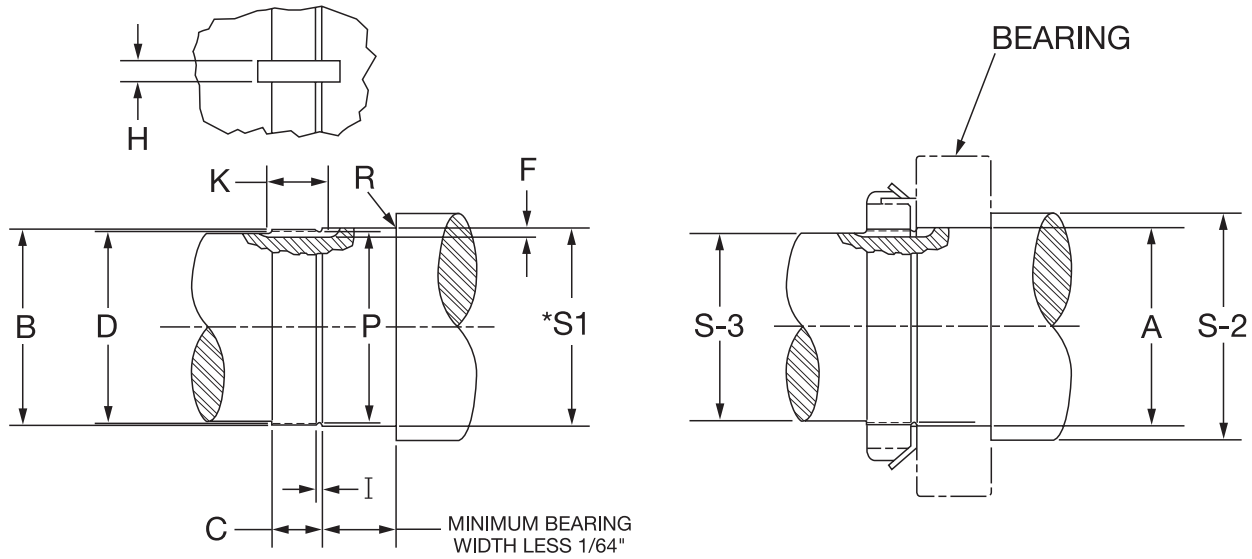
Shaft Size Under Brg. mm	Housing	Bearing No	Part No	Approx. Wt (Lbs.)	A Inch	B Inch	C Inch
40	308	22308	423124	2.3	1.5748 (40)	3.5433 (90)	1.2992 (33)
45	309	22309	423125	3.0	1.7717 (45)	3.9370 (100)	1.4173 (36)
50	310	22310	423143	3.9	1.9685 (50)	4.3307 (110)	1.5758 (40)
55	311	22311	423126	5.1	2.1654 (55)	4.7244 (120)	1.6929 (43)
60	312	22312	423127	6.5	2.3622 (60)	5.1181 (130)	1.8110 (46)
65	313	22313	423128	7.8	2.5591 (65)	5.5118 (140)	1.8898 (48)
70	314	22314	423129	9.3	2.7559 (70)	5.9055 (150)	2.0079 (51)
75	315	22315	423130	11.5	2.9528 (75)	6.2992 (160)	2.1654 (55)
80	316	22316	423144	13.1	3.1496 (80)	6.6929 (170)	2.2835 (58)
85	317	22317	423131	15.7	3.3465 (85)	7.0866 (180)	2.3622 (60)
100	320	22320	423132	28.0	3.9370 (100)	8.4646 (215)	2.8740 (73)
110	322	22322	423133	38.8	4.3307 (110)	9.4488 (240)	3.1496 (80)
120	324	22324	423134	48.3	4.7244 (120)	10.2362 (260)	3.3858 (86)
130	326	22326	423135	59.7	5.1181 (130)	11.0236 (280)	3.6614 (93)
140	328	22328	423136	75.4	5.5118 (140)	11.8110 (300)	4.0157 (102)
150	330	2230	423137	90.4	5.9055 (150)	12.5984 (320)	4.2520 (108)
160	332	22332	423138	113.0	6.2992 (160)	13.3858 (350)	4.4882 (114)
170	334	22334	423139	132.0	6.6929 (170)	14.1732 (360)	4.7244 (120)
190	338	22338	423140	179.0	7.4803 (190)	15.7480 (400)	5.1969 (132)

FEATURES/BENEFITS PAGE B15-3	SPECIFICATION/HOW TO ORDER PAGE B15-7	NOMENCLATURE PAGE B15-8	SELECTION PAGE B15-13
---------------------------------	--	----------------------------	--------------------------



SELECTION/DIMENSIONS

USAF 300 Series Bearing Shaft Details



Nominal Bearing Bore Dia. (mm)	Shaft Bearing Seat Diameters (Inch)					
	Normal Load			High Load		
	* S-1		Mean Fit	* S-1		Mean Fit
	Max	Min		Max	Min	
40	1.5758	1.5752	.0009T	1.5761	1.5655	.0012T
45	1.7727	1.7721		1.7730	1.7724	
50	1.9697	1.9689	.0011T	1.9700	1.9693	.0014T
55	2.1666	2.1658		2.1669	2.1662	
60	2.3634	2.3626		2.3637	2.3630	
65	2.5603	2.5595		2.5606	2.5599	
70	2.7571	2.7563		2.7574	2.7567	
75	2.9540	2.9532		2.9543	2.9536	
80	3.1508	3.1501	.0012T	3.1511	3.1504	.0015T
85	3.3479	3.3470	.0014T	3.3484	3.3475	.0019T
100	3.9384	3.9375		3.9389	3.9380	
110	4.3321	4.3312		4.3326	4.3317	
120	4.7258	4.7249		4.7263	4.7254	
130	5.1197	5.1187	.0016T	5.1203	5.1193	.0022T
140	5.5134	5.5124		5.5140	5.5130	
150	5.9071	5.9061		5.9077	5.9067	
160	6.3008	6.2998		6.3014	6.3004	
170	6.6945	6.6935		6.6951	6.6941	
190	7.4821	7.4809		.0019T	7.4829	

Normal Load
P/C = 0.10 TO 0.18

High Load
P/C > 0.18

Where P = Equivalent dynamic load on the bearing (lbs.)
C = Basic dynamic load rating of bearing (lbs.)

FEATURES/BENEFITS PAGE B15-3	SPECIFICATION/HOW TO ORDER PAGE B15-7	NOMENCLATURE PAGE B15-8	SELECTION PAGE B15-13
---------------------------------	--	----------------------------	--------------------------



SELECTION/DIMENSIONS

USAF 300 Series Bearing Shaft Details

Bearing Reference Guide

E-Family Roller Bearings

Specialty Tapered Products

S-2000

UNISPHERE II

IMPERIAL

UNIFIED SAF

Housing	Locknut & Washer Kit Part No.	A Brg Bore	S-2	S-3	Keyway			
					F Depth +1/64 - 0	H Width +1/64 - 0	K Full Depth Length	R Max Radius
308	046751	1.5748 (40 mm)	1-15/16	1-7/16	3/32	5/16	21/32	0.059
309	046752	1.7717 (45 mm)	2-1/8	1-11/16	3/32	5/16	11/16	0.059
310	046753	1.9685 (50 mm)	2-3/8	1-7/8	3/32	5/16	3/4	0.079
311	046754	2.1654 (55 mm)	2-9/16	2-1/16	1/8	5/16	3/4	0.079
312	046772	2.3622 (60 mm)	2-7/8	2-1/4	1/8	5/16	25/32	0.079
313	046755	2.5591 (65 mm)	3-1/16	2-7/16	1/8	5/16	13/16	0.079
314	046773	2.7559 (70 mm)	3-1/4	2-5/8	1/8	5/16	29/32	0.079
315	046756	2.9528 (75 mm)	3-7/16	2-13/16	1/8	5/16	15/16	0.079
316	046757	3.1496 (80 mm)	3-5/8	3	1/8	3/8	15/16	0.079
317	046758	3.3465 (85 mm)	3-15/16	3-3/16	1/8	3/8	31/32	0.098
320	046760	3.9370 (100 mm)	4-1/2	3-13/16	5/32	3/8	1-3/16	0.098
322	046761	4.3307 (110 mm)	4-7/8	4-3/16	3/16	3/8	1-7/32	0.098
324	046762	4.7244 (120 mm)	5-5/16	4-9/16	3/16	3/8	1-1/4	0.098
326	046763	5.1181 (130 mm)	5-7/8	4-15/16	3/16	1/2	1-5/16	0.118
328	046764	5.5118 (140 mm)	6-1/4	5-5/16	3/16	5/8	1-3/8	0.118
330	046765	5.9055 (150 mm)	6-5/8	5-3/4	7/32	5/8	1-1/2	0.118
332	046766	6.2992 (160 mm)	7	6-1/16	15/64	5/8	1-9/16	0.118
334	046767	6.6929 (170 mm)	7-7/16	6-7/16	15/64	3/4	1-19/32	0.118
338	046769	7.4803 (190 mm)	8-3/8	7-1/4	15/64	3/4	1-21/32	0.157

Housing	Threads Per Inch	B Thread Major Dia		D Thread Pitch Dia		C Thread Length +1/64 - 0	I Thread Relief +1/64 - 0	P† Thread Relief Dia.
		Max	Min	Max	Min			
		308	18	1.5630	1.5548			
309	18	1.7670	1.7588	1.7309	1.7204	17/32	1/8	1.6832
310	18	1.9670	1.9588	1.9309	1.9264	19/32	1/8	1.8832
311	18	2.1570	2.1488	2.1209	2.1159	19/32	1/8	2.0732
312	18	2.3600	2.3518	2.3239	2.3188	5/8	1/8	2.2762
313	18	2.5480	2.5398	2.5119	2.5068	21/32	1/8	2.4642
314	18	2.7510	2.7428	2.7149	2.7098	21/32	1/8	2.6672
315	12	2.9330	2.9218	2.8789	2.8735	11/16	5/32	2.7995
316	12	3.1370	3.1258	3.0829	3.0770	11/16	5/32	3.0035
317	12	3.3400	3.3288	3.2859	3.2800	23/32	5/32	3.2065
320	12	3.9180	3.9068	3.8639	3.8565	7/8	5/32	3.7845
322	12	4.325	4.3138	4.2709	4.2626	29/32	5/32	4.1915
324	12	4.716	4.7048	4.6619	4.6536	15/16	5/32	4.5825
326	12	5.106	5.0948	5.0519	5.0436	1	5/32	4.9725
328	12	5.497	5.4858	5.4429	5.4346	1-1/16	5/32	5.3635
330	12	5.888	5.8768	5.8339	5.8256	1-1/8	5/32	5.7545
332	8	6.284	6.2688	6.2028	6.1937	1-3/16	1/4	6.0993
334	8	6.659	6.6438	6.5778	6.5687	1-7/32	1/4	6.4743
338	8	7.472	7.4568	7.3908	7.3817	1-9/32	1/4	7.2873

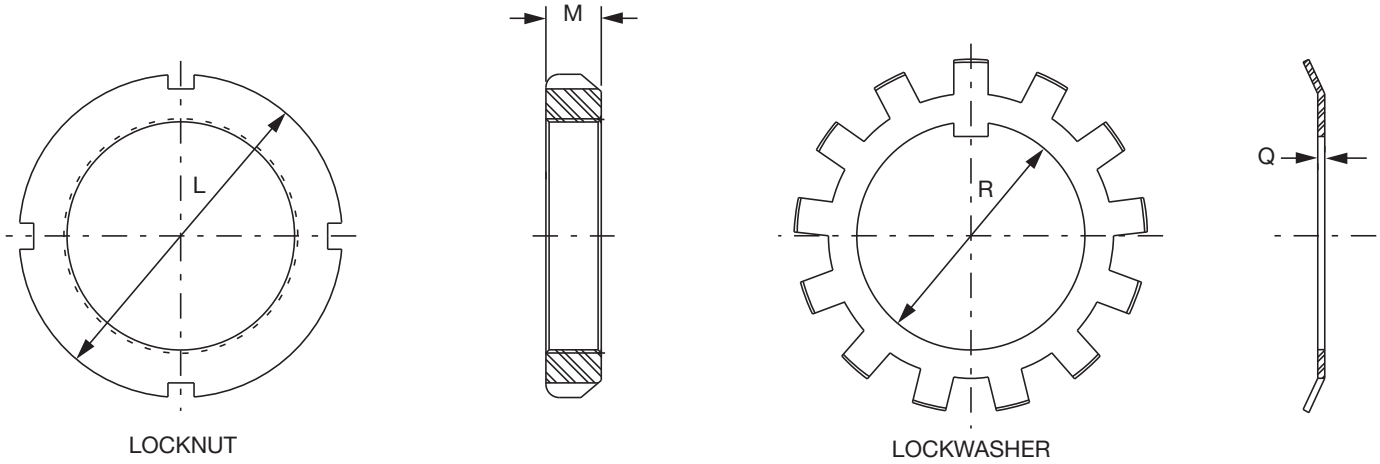
† Tolerance ±.005 through 2.6672 dia; ±.010 for larger sizes

FEATURES/BENEFITS PAGE B15-3	SPECIFICATION/HOW TO ORDER PAGE B15-7	NOMENCLATURE PAGE B15-8	SELECTION PAGE B15-13
---------------------------------	--	----------------------------	--------------------------



SELECTION/DIMENSIONS

USAF 300 Series Bearing Locknut & Washers



LOCKNUT

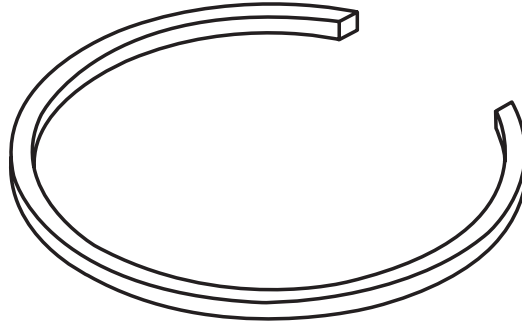
LOCKWASHER

Housing	Locknut		Lockwasher		L (Inch)	M (Inch)	R (Inch)	Q (Inch)
	Descrip.	Part No.	Descrip.	Part No.				
308	N08	407305	W08	419151	2.25	0.44	1.583	0.048
309	N09	419187	W09	419180	2.53	0.44	1.792	0.048
310	N10	419188	W10	419181	2.69	0.50	1.992	0.048
311	N11	419184	W11	419182	2.97	0.50	2.182	0.053
312	N12	407302	W12	419008	3.16	0.53	2.400	0.053
313	N13	419185	W13	419183	3.38	0.56	2.588	0.053
314	N14	407306	W14	419153	3.62	0.56	2.791	0.053
315	AN15	460901	W15	419150	3.88	0.59	2.988	0.072
316	AN16	460902	W16	419152	4.16	0.59	3.192	0.072
317	AN17	460903	W17	419154	4.41	0.62	3.410	0.072
320	AN20	460905	W20	419158	5.19	0.75	4.003	0.094
322	AN22	460906	W22	419160	5.72	0.78	4.410	0.125
324	AN24	041071	W24	419162	6.12	0.81	4.816	0.125
326	AN26	041064	W26	419164	6.75	0.88	5.209	0.125
328	AN28	041065	W28	419166	7.09	0.94	5.600	0.125
330	AN30	041072	W30	419168	7.69	0.97	6.001	0.156
332	AN32	041066	W32	419170	8.06	1.03	6.407	0.156
334	AN34	041067	W34	419172	8.66	1.06	6.782	0.156
338	AN38	041068	W38	419176	9.47	1.12	7.595	0.156



SELECTION/DIMENSIONS

USAF Stabilizing Rings



Housing	Stab. Ring No.	Stab. Ring Part No.
		▲
509	9-9	041987
510	10-8	042335
511	11-9	042315
513	13-0	042316
515/215	15-0	041174
516/216	16-13	041172
517/217	17-14	041175
518/218	18-15	041173
520/220	20-17	041176
522/222	22-19	041177
524/224	24-20	041185
526/226	26-0	041178
528/228	28-0	041179
530/230	30-0	041186
532/232	32-0	041180
534/234	34-0	041181
536/236	36-30	041184
538/238	38-32	041182
540/240	40-34	046639
544S/544/244	44-38	041183
* 048	A8897	041161
* 052	A8898	422554
* 056/056L	A8819	041213

Housing	Stab. Ring No.	Stab. Ring Part No.
		▲
308	10-8	042335
609/309	11-9	042315
610/310	0-10	046642
611/311	6-11	046632
312	15-0	041174
613/313	16-13	041172
314	17-14	041175
615/315	18-15	041173
616/316	19-16	046643
617/317	20-17	041176
620/320	24-20	041185
622/322	0-22	046635
624/324	0-24	046634
626/326	0-26	046637
628/328	0-28	046638
630/330	36-30	041184
632/332	38-32	041182
634/334	40-34	040850
638/338	44-38	041183

* Two stabilizing rings required per housings

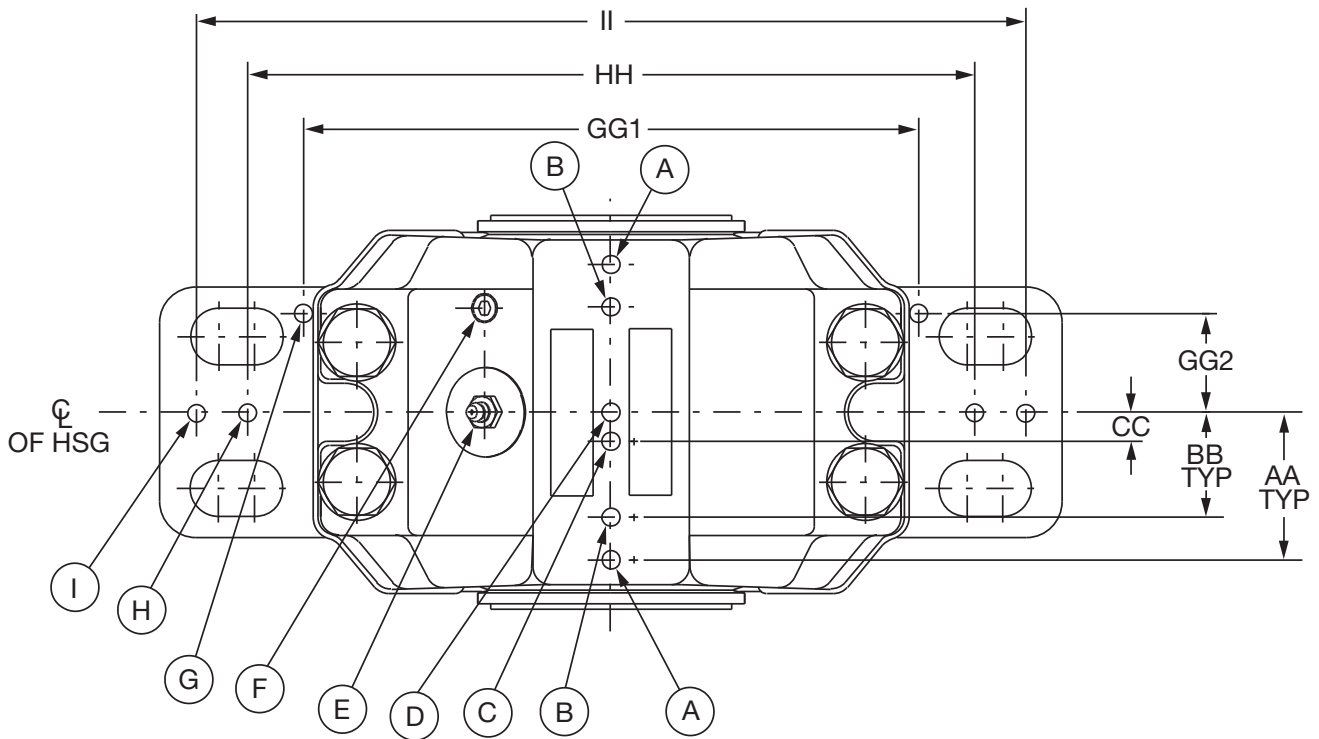
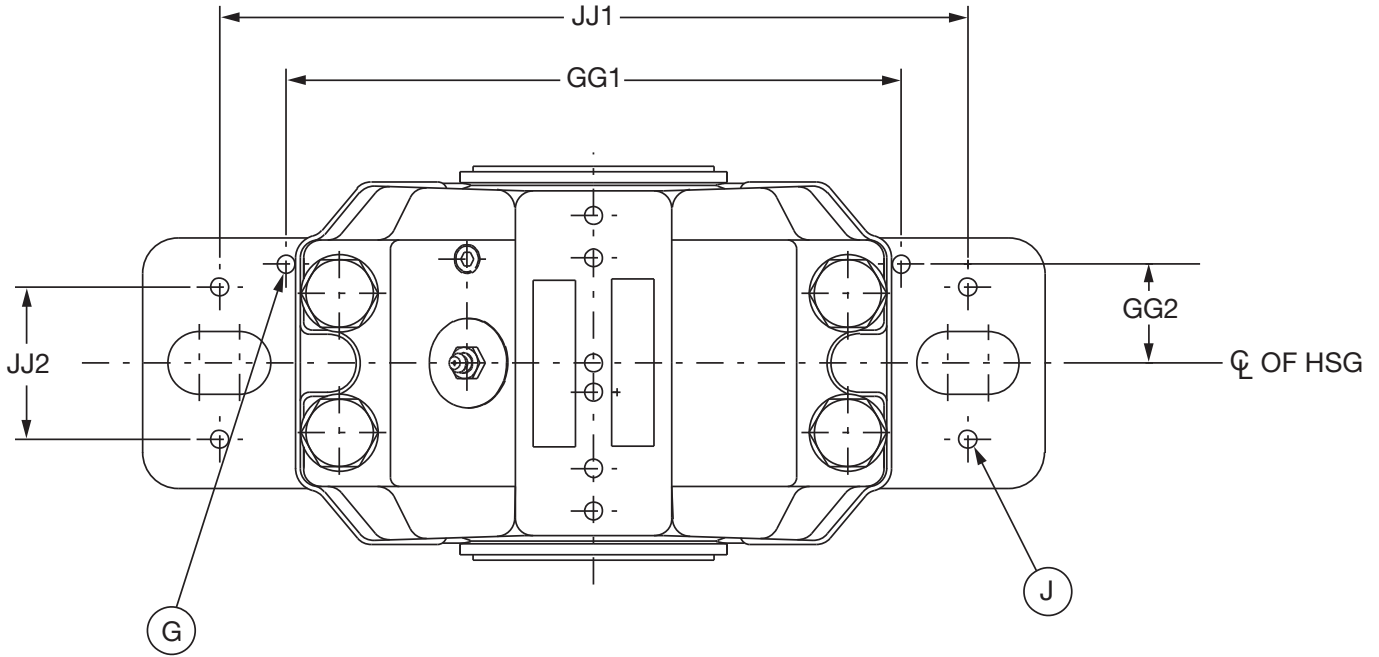
▲ Part numbers for reference only. Housings come equipped with stabilizing rings enclosed

FEATURES/BENEFITS PAGE B15-3	SPECIFICATION/HOW TO ORDER PAGE B15-7	NOMENCLATURE PAGE B15-8	SELECTION PAGE B15-13
---------------------------------	--	----------------------------	--------------------------



SELECTION/DIMENSIONS

USAF Pillow Block - 500 & 200 DOWEL PIN, LUBRICATION & MOUNTING HOLE POSITIONS





SELECTION/DIMENSIONS

USAF Pillow Block - 500 & 200 DOWEL PIN, LUBRICATION & MOUNTING HOLE POSITIONS

Item	Description
A	Optional Seal Grease Location
B	Optional Location For Vent, Vibration Pickup And/or Grease Location For Non W33 Grooved Bearing
C	Position For Thermocouple Location
D	Position For Lubrication Of Bearing With W33 Groove
E	Lubrication Port For W33 Groove
	Groove Bearing Drilled Standard On Pillow Blocks
F	Pre-Drilled And Tap Location For Vent Or Side Lubrication For Bearing Without W33 Groove
G	Dowel Pin Location For Metric Plummer Blocks
H	Drilling Location For Two Bolt Mounting Or Optional Dowel Pin Location
I	Optional Location For Dowel Pin Location
J	Drilling Location For Four Bolt Mounting Or Optional Dowel Pin Location

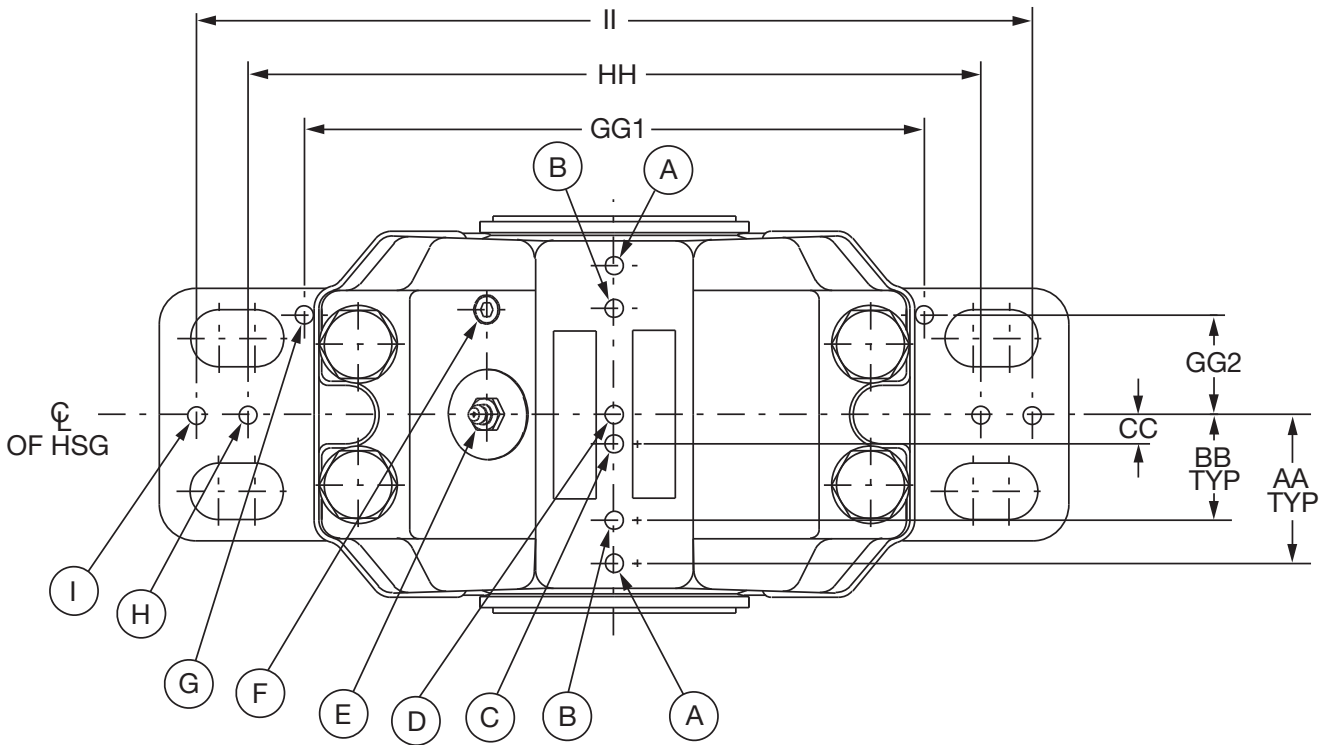
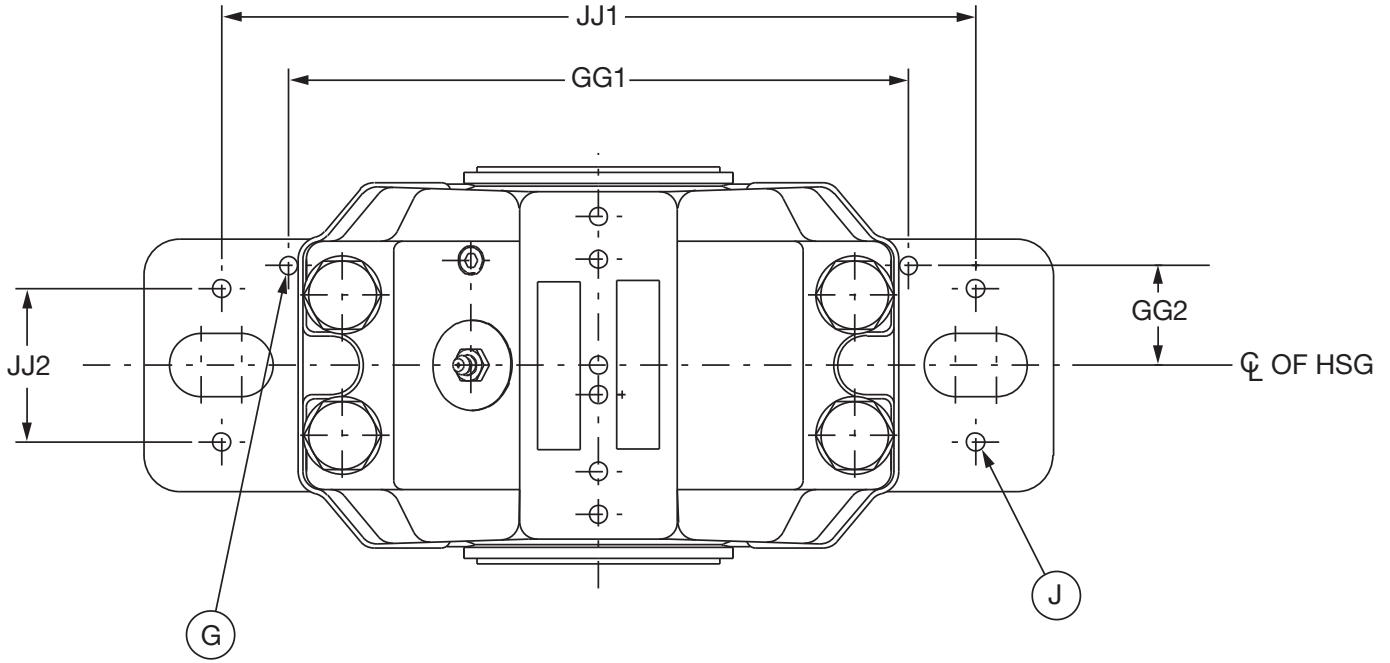
USAF Housing	AA	BB	CC	GG1	GG2	G Max Dia	HH	H		II	JJ1	JJ2	J	
								Hole Size	Bolt Size				Hole Size	Bolt Size
509	1.45	0.84	0.25	5.31	0.91	15/64	-	-	-	-	6.31	1.34	7/16	3/8
510	1.53	0.89	0.27	5.31	0.91	15/64	-	-	-	-	6.31	1.34	7/16	3/8
511	1.66	1.00	0.28	6.69	1.06	5/16	-	-	-	-	7.88	1.56	9/16	1/2
513	1.84	1.28	0.34	7.50	1.25	5/16	9.06	11/16	5/8	10.25	8.66	1.88	9/16	1/2
515/215	1.88	1.22	0.36	7.50	1.25	5/16	9.06	11/16	5/8	10.25	8.66	1.88	9/16	1/2
516/216	2.03	1.38	0.31	8.59	1.38	5/16	10.25	13/16	3/4	11.59	9.94	2.06	11/16	5/8
517/217	2.06	1.47	0.41	8.59	1.38	5/16	10.25	13/16	3/4	11.59	9.94	2.06	11/16	5/8
518/218	2.38	1.50	0.44	9.44	1.45	5/16	11.91	13/16	3/4	12.63	11.03	2.28	11/16	5/8
520/220	2.09	1.72	0.53	10.25	1.61	5/16	12.59	15/16	7/8	14.36	11.81	2.59	13/16	3/4
522/222	2.81	1.94	0.59	11.03	1.78	15/32	13.78	15/16	7/8	15.50	12.91	2.91	13/16	3/4
524/224	3.13	1.91	0.69	11.42	1.78	15/32	13.88	15/16	7/8	15.88	13.00	2.91	13/16	3/4
526/226	3.25	2.09	0.75	12.78	2.05	15/32	14.97	1-1/16	1	17.38	14.56	3.09	15/16	7/8
528/228	3.48	2.53	0.75	13.59	2.16	15/32	16.53	1-5/16	1-1/4	18.69	15.75	3.63	1-1/16	1
530/230	3.84	2.53	0.81	14.75	2.38	15/32	17.72	1-5/16	1-1/4	19.50	16.94	3.94	1-1/16	1
532/232	4.09	2.56	0.91	15.56	2.36	15/32	18.50	1-5/16	1-1/4	20.28	17.72	3.94	1-1/16	1
534/234	4.13	3.00	1.00	-	-	-	20.50	1-9/16	1-1/2	23.38	-	-	-	-
536/236	4.31	3.00	1.00	-	-	-	22.25	1-9/16	1-1/2	25.25	-	-	-	-
538/238	4.50	3.13	1.13	-	-	-	23.00	1-9/16	1-1/2	26.63	-	-	-	-
540/240	4.86	3.22	1.13	-	-	-	23.75	1-9/16	1-1/2	27.25	-	-	-	-
544/244	5.20	3.63	1.19	-	-	-	26.83	1-13/16	1-3/4	30.75	-	-	-	-
048	4.86	3.22	1.13	-	-	-	23.75	1-9/16	1-1/2	27.25	-	-	-	-
052	5.20	3.63	1.19	-	-	-	26.83	1-13/16	1-3/4	30.75	-	-	-	-
056	5.67	3.75	1.20	-	-	-	27.88	2-1/16	2	32.25	-	-	-	-

FEATURES/BENEFITS PAGE B15-3	SPECIFICATION/HOW TO ORDER PAGE B15-7	NOMENCLATURE PAGE B15-8	SELECTION PAGE B15-13
---------------------------------	--	----------------------------	--------------------------



SELECTION/DIMENSIONS

USAF Pillow Block - 600 & 300 DOWEL PIN, LUBRICATION & MOUNTING HOLE POSITIONS





SELECTION/DIMENSIONS

USAF Pillow Block - 600 & 300 DOWEL PIN, LUBRICATION & MOUNTING HOLE POSITIONS

Item	Description
A	Optional Seal Grease Location
B	Optional Location For Vent, Vibration Pickup And/Or Grease Location For Non W33 Grooved Bearing
C	Position For Thermocouple Location
D	Position For Lubrication Of Bearing With W33 Groove
E	Lubrication Port For W33 Groove
	Groove Bearing Drilled Standard On Pillow Blocks
F	Pre-Drilled And Tap Location For Vent Or Side Lubrication For Bearing Without W33 Groove
G	Dowel Pin Location For Metric Plummer Blocks
H	Drilling Location For Two Bolt Mounting Or Optional Dowel Pin Location
I	Optional Location For Dowel Pin Location
J	Drilling Location For Four Bolt Mounting Or Optional Dowel Pin Location

USAF Housing	AA	BB	CC	GG1	GG2	G Max Dia	HH	H		II	JJ1	JJ2	J	
								Hole Size	Bolt Size				Hole Size	Bolt Size
308	1.53	0.89	0.27	5.31	0.91	15/64	-	-	-	-	6.31	1.34	7/16	3/8
609/309	1.66	1.00	0.28	6.69	1.06	5/16	-	-	-	-	7.88	1.56	9/16	1/2
610/310	1.84	1.00	0.34	6.77	1.06	5/16	-	-	-	-	7.88	1.56	9/16	1/2
611/311	1.84	1.56	0.34	7.50	1.25	5/16	9.06	11/16	5/8	10.25	8.66	1.88	9/16	1/2
312	1.88	1.22	0.36	7.50	1.25	5/16	9.06	11/16	5/8	10.25	8.66	1.88	9/16	1/2
613/313	2.03	1.38	0.31	8.59	1.38	5/16	10.25	13/16	3/4	11.59	9.94	2.06	11/16	5/8
314	2.06	1.47	0.41	8.59	1.38	5/16	10.25	13/16	3/4	11.59	9.94	2.06	11/16	5/8
615/315	2.38	1.50	0.44	9.44	1.45	5/16	11.41	13/16	3/4	12.63	11.03	2.28	11/16	5/8
616/316	2.53	1.63	0.53	9.44	1.45	5/16	11.41	13/16	3/4	13.00	11.03	2.28	11/16	5/8
617/317	2.69	1.72	0.53	10.25	1.61	5/16	12.59	15/16	7/8	14.36	11.81	2.59	13/16	3/4
620/320	3.13	1.91	0.69	11.42	1.18	15/32	13.88	15/16	7/8	15.88	13.00	2.91	13/16	3/4
622/322	3.25	2.09	0.75	12.78	2.05	15/32	14.99	1-1/16	1	17.38	14.56	3.16	15/16	7/8
624/324	3.84	2.53	0.81	14.75	2.38	15/32	17.72	1-5/16	1-1/4	19.50	16.94	3.94	1-1/16	1
626/326	4.09	2.56	0.91	15.56	2.36	15/32	18.50	1-5/16	1-1/4	20.28	17.72	3.94	1-1/16	1
628/328	4.13	3.00	1.00	-	-	-	20.50	1-9/16	1-1/2	23.38	-	-	-	-
630/330	4.31	3.00	1.00	-	-	-	22.25	1-9/16	1-1/2	25.25	-	-	-	-
632/332	4.50	3.13	1.13	-	-	-	23.00	1-9/16	1-1/2	26.62	-	-	-	-
634/334	4.86	3.22	1.13	-	-	-	23.75	1-9/16	1-1/2	27.25	-	-	-	-
638/338	5.20	3.63	1.19	-	-	-	26.31	1-13/16	1-3/4	30.75	-	-	-	-

Bearing Reference Guide

E-Family Roller Bearings

Specialty Tapered Products

S-2000

UNISPHERE II

IMPERIAL

UNIFIED SAF

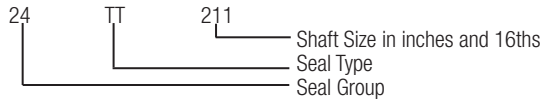
FEATURES/BENEFITS PAGE B15-3	SPECIFICATION/HOW TO ORDER PAGE B15-7	NOMENCLATURE PAGE B15-8	SELECTION PAGE B15-13
---------------------------------	--	----------------------------	--------------------------



SELECTION/DIMENSIONS

USAF Housing VS Seal Group Interchange Chart

All DODGE seals are identified as follows:



Seal group numbers identify common housing seal grooves found on different series housings. The standard shaft sizes for various housings are shown.

Shaft Size	Housing	Seal* Group	Shaft Size	Housing	Seal* Group	Shaft Size	Housing	Seal* Group	Shaft Size	Housing	Seal* Group		
1-7/16	509	08	3-5/8	216	38	6-1/4	228	66	11-15/16	064L	100		
	308			316			328			12		3164	
	609			220			334			068		3264	
1-11/16	510	10	3-13/16	320	50	6-7/16	234	68	12-7/16	068	102		
	309			217			536			3168			
	610			317			536			3268			
1-7/8	310	12	3-15/16	522	50	6-5/8	230	70	12-15/16	072	104		
1-15/16	511			622			6-7/8			330		13	072L
	308			522						236		13-7/16	072L
2-1/16	311	14	4-1/8	218	44	6-15/16	638	72	13-15/16	076	108		
	2-1/8			309			524			232		14	3176
	2-3/16			513			222			332		15	080
2-1/4	613	18	4-3/16	624	52	7	538	74	15-3/4	084	110		
	312			322			638			112			
	2-3/8			310			526			7-3/16		540	74
2-7/16	515	20	4-7/16	626	54	7-1/4	238	76	7-7/16	334	80		
	615			220			338			234			
	313			320			544S			240			
2-1/2	515	22	4-1/2	526	56	7-1/2	240	78	7-13/16	236	82		
	615			626			544			8			
	2-5/8			314			224			8-5/16		244	80
2-9/16	311	24	4-9/16	324	56	8-3/8	238	82	8-15/16	048	90		
	2-11/16			516			222			7-7/16		048	90
				616			322			8-1/2		240	82
2-3/4	516	26	4-15/16	226	56	8-3/4	240	84	8-15/16	048	90		
	616			226			9			3248			
	2-13/16			215			528			9-7/16		052	84
2-7/8	312	28	5	528	58	9-1/2	3152	84	9-9/16	244	92		
	2-15/16			517			628			10		056L	
	617			530			8-3/8			240		82	
3	216	32	5-3/16	630	58	10-1/2	3256	94	10-15/16	060	96		
	316			224			9			3160			
	517			228			11			3260			
3-1/16	617	34	5-5/16	324	60	11-7/16	064	98	11-1/2		98		
	313			328			10-7/16			056L			
	217			532			10-1/2			3156			
3-3/16	317	36	5-1/2	632	62	11-1/2		98	11-1/2		98		
	518			532			10-15/16			060			
	3-1/4			314			632			10-15/16		060	
3-3/8	218	38	5-3/4	230	62	11-1/2		98	11-1/2		98		
	3-7/16			215			330			10-15/16		060	
				315			226			10-15/16		060	
3-1/2	520	46	5-7/8	326	64	11-1/2		98	11-1/2		98		
	620			534			11-7/16			064			
	520			634			11-1/2						
UNIFIED SAF	620	64	6	534	64	11-1/2		98	11-1/2		98		
	3-1/2			634			11-1/2						
				232			11-1/2						
6-1/16	332	11-1/2											

Seal groups in 200/300 housing require two seals of different diameters.

FEATURES/BENEFITS PAGE B15-3	SPECIFICATION/HOW TO ORDER PAGE B15-7	NOMENCLATURE PAGE B15-8	SELECTION PAGE B15-13
---------------------------------	--	----------------------------	--------------------------



SELECTION/DIMENSIONS

DODGE Cool Lube 2 System

Custom Engineered for oil lubricated, mounted bearings on fan applications. The DODGE Cool Lube System provides an attractive and reliable alternative to conventional grease and static oil bearing lubrication methods for industrial fan applications. It is particularly suited for applications where bearing operating temperatures and speeds approach maximum permissible levels and for harsh and dirty environments.

Enhance your spherical roller bearing operation by continuous oil cooling, filtration, and proper oil level maintenance while your fan is running. Eighty percent of all mounted bearing failures are caused by contamination and lubrication issues. The DODGE Cool Lube System helps to minimize this risk.

The DODGE Cool Lube System provides reduced maintenance costs and increased uptime by providing:

- **Bearing Temperature Reduction:** Increases bearing reliability through bearing temperature reduction. Reducing bearing operating temperatures is proven to significantly increase roller bearing fatigue life.
- **Oil Filtration:** Increases Bearing Life and extends maintenance periods through continuous oil filtration. The DODGE Cool Lube System continuously circulates and filters harmful particles from the bearing oil sump.
- **Automatic Oil Level Control:** The DODGE Cool Lube System will maintain the proper oil level within the oil sump.

One Cool Lube system for two (2) mounted bearings:

Dodge Part Numbers with flow meter range of 0.05 to 0.50 GPM

- **063485** for three phase motor
- **063486** for single phase motor
- **078327** for XP (Exp. Proof) three phase motor
- **078328** for 575 VAC three phase motor

Dodge Part Numbers with flow meter range of 0.50 to 4.0 GPM

- **063487** for three phase motor
- **063488** for single phase motor
- **078289** for XP (Exp. Proof) three phase motor
- **078290** for 575 VAC three phase motor



Cool Lube 2 System Specifications:

- 5 Gallon Tank with Removable Cover
- Pump 2.0 GPM Flow
- In-line Filter with Clog Indicator and Clog Auto-Bypass
- 3-way valve to change filter while unit is in operation
- Pump Safety Relief Valve
- Bearing Line Relief Valve
- Filter and Bearing Supply Pressure Gauges
- Air to Oil Heat Exchanger
- Two Supply Line Needle Valves and Flow Meters with flow range 0.05 to 0.50 GPM or 0.5 to 4.0 GPM
- Temperature Gauge
- Oil Sight Gauge
- Reservoir Breather Cap
- Baldor NEMA Motor
- All Components Mounted to a Base Plate

Optional Features:

- 260 Watt Oil Heater with Thermostat sold separately. If required order one of the following:
 - p/n 434725 – 260 watt x 120v Heater
 - p/n 434726 – 260 watt x 240v Heater
- Oil Level Switch
- Temperature/Oil Level Switch Assembly
 - p/n 434941 (sold separately)
- Duplex Dual Filter Arrangement

NOTE: Replacement Filter Part Number **078358**

FEATURES/BENEFITS PAGE B15-3	SPECIFICATION/HOW TO ORDER PAGE B15-7	NOMENCLATURE PAGE B15-8	SELECTION PAGE B15-13
---------------------------------	--	----------------------------	--------------------------



SELECTION/DIMENSIONS

DODGE Cool Lube System helps to:

Prevent bearing mechanical distress:

- Lowers internal bearing friction thus decreasing bearing operating temperatures
- Minimizes roller to raceway, metal to metal contact
- Reduces roller skidding damage that can occur in lightly loaded applications
- Supplies lubricant directly to load carrying rolling elements
- Increases lube life due to lower temperatures
- Minimizes cage sliding friction wear
- Minimizes effect of ineffective sealing



Prevent bearing contamination:

- Filters out contamination which has passed through seals
- Helps to remove water contamination due to condensation from bearings if a water absorbing filter is used
- Flushes worn raceway, rollers & cage particles from bearings
- Removes contamination caused during installation



Lower maintenance costs:

- Oil change outs are simple
- No need to break housing cap bolts to clean out old grease
- Oil can be inspected for distress on a regular basis to determine oil PM schedule
- Lower bearing temperatures increase service life
- Lower contamination levels increase service life

Once bearing raceway fatigue begins progression of damage is rapid



At first sign of Damage

After 1,000 Hours

After 1,200 Hours

Bearing Reference Guide

E-Family Roller Bearings

Specialty Tapered Products

S-2000

UNISPHERE II

IMPERIAL

UNIFIED SAF

FEATURES/BENEFITS PAGE B15-3	SPECIFICATION/HOW TO ORDER PAGE B15-7	NOMENCLATURE PAGE B15-8	SELECTION PAGE B15-13
---------------------------------	--	----------------------------	--------------------------

CONTENTS

Plummer Blocks Metric-Dimensioned Housings

Features/Benefits	
ISN	B16-3
ISNX	B16-14
SNX / SDX	B16-23
Nomenclature B16-6	
Selection	
Imperial Housing Style	B16-7
ISN	B16-8
ISN Plummer Block	B16-12
ISNX Hydraulic	B16-18
Dimensions	
ISN	B16-13
ISN Bearing Inserts	B16-16
ISNX Hydraulic	B16-18
ISN Lockplate Kits	B16-21
ISN End Cover	B16-21
Imperial Spanner	B16-22
SNX	B16-26
SDX	B16-42
SDXD	B16-46
Part Number Index	INDEX-1
Key Word Index	KEYWORD-1

CONTENTS

Plummer Blocks

Sleeve Bearings

SLEEVOIL

Take-Up Frames

Engineering

Part Number Index

Keyword Index

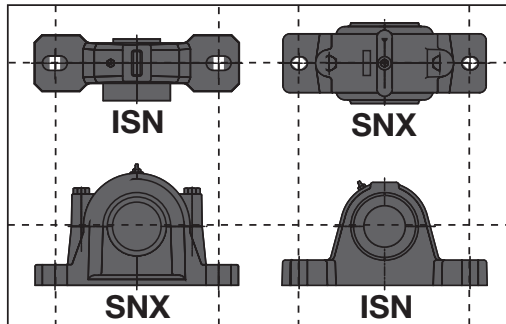
FEATURES/BENEFITS

ISN

Shaft Ready / Adapter Mount / SN Dimensions

Patented Adapter Mounting System

- Quick installation and removal in 15 minutes or less
- Clearance setting without feeler gauges
- Full shaft contact reduces or eliminates fretting corrosion
- Locknut tightens the bearing on the shaft when turned clockwise
- Counter-clockwise rotation of the locknut loosens the bearing from the shaft
- 22200 series spherical roller bearing with steel cage and guide ring



Dimensionally interchangeable with housings of the SN family. Preassembled - no risk of bearing contamination during field assembly or incorrect parts.



Stronger feet for higher load capacity.



Cast-in drilling location dimples: for dowels or four-bolt mounting.

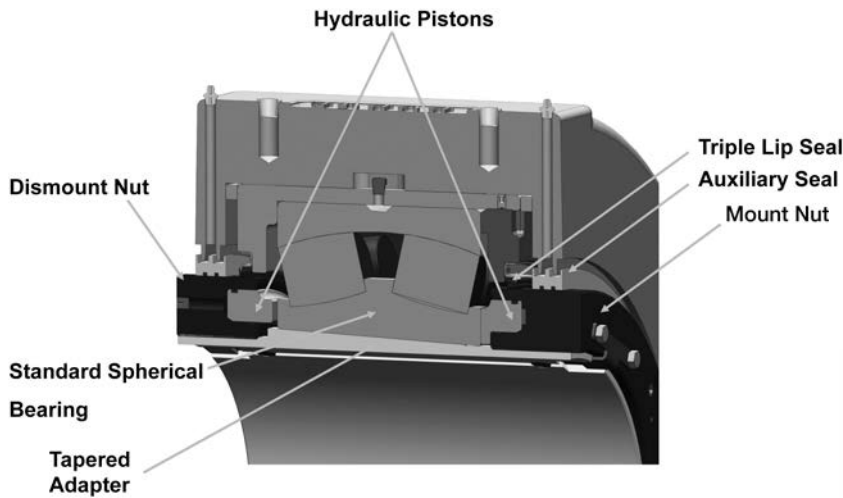
FEATURES/BENEFITS

ISNX

Hydraulic Mount/Dismount with SN Dimensions

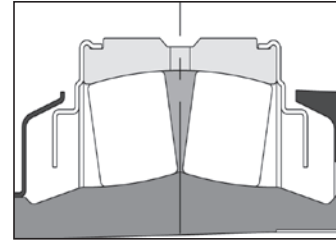
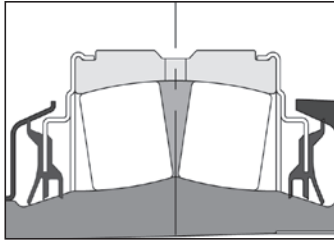
Patented Hydraulic Mount and Dismount System

- Incorporates a hydraulic mount and dismount nut as a standard feature on the inner unit for quicker installation and removal of bearing.
- Totally sealed inner unit prevents contamination during installation
- Harsh duty sealing system is functionally equivalent to a standard Taconite seal
- SN/SD dimensioned housing that matches ISO 113 standards
- Incorporates standard 23144 thru 23176 double row spherical roller bearings
- 150mm thru 360mm bore size
- High strength ductile iron housing is standard
- Incorporates a fixing ring for expansion/non-expansion capability



FEATURES/BENEFITS

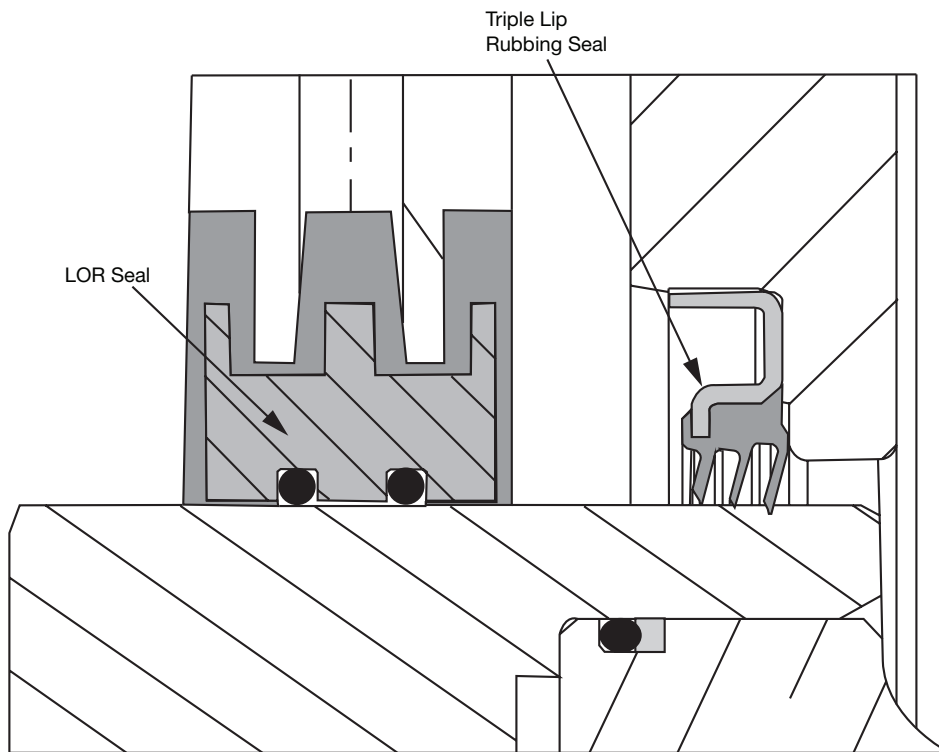
ISN



TRIDENT™ Seal - Patented design triple-lip rubbing seal with corrosion resistant flingers; positive seal contact up to $\pm 1^\circ$ misalignment.

Labyrinth Seal - Patented design clearance steel seal carrier with corrosion resistant flingers.

ISNX



NOMENCLATURE

ISN BEARING NOMENCLATURE

Plummer Blocks

Sleeve Bearings

SLEEVOIL

Take-Up Frames

Engineering

Part Number Index

Keyword Index

P2B524 - ISN - 110MFR

Housing Style Options:

P2B = Plummer Block, 2-Bolt Base, Cast Iron
 F4B = Flange 4-Bolt, Cast Iron

M = Size in millimeters otherwise 1-10/16"

Other Data / Seals:

- F = non-expansion
- L = expansion (non-locating)
- R = Trident Rubbing Seal
- S = Labyrinth Seal
- HYD = Integral Hydraulic Mounting/Dismounting

Housing Size:

5xx describes the associated DIN - SN Pillow block housing size

Bearing Type Options:

- ISN, SN style w/Imperial locking mechanism
- IP = Imperial Mount
- ISAF- Imperial Mount SAF
- ISNX HYD = Hydraulic Mount/Dismount
- SNX = Plummer Block to 140 mm
- SDX = Plummer Block to 320 mm

FEATURES/BENEFITS PAGE B16-3	NOMENCLATURE PAGE B16-6	SELECTION PAGE B16-8	DIMENSIONS PAGE B16-13
---------------------------------	----------------------------	-------------------------	---------------------------

SELECTION

IMPERIAL HOUSING STYLES



ISN
35 - 140mm
1-1/4" - 5-1/2"

ISAF
35 - 125mm
1-7/16" - 7"



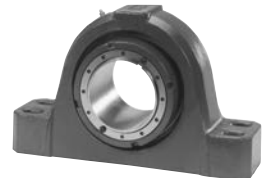
ISNX HYD
150 - 360mm

ISAF HYD
140 - 380mm
5-7/16" - 15"



P2B
35 - 100mm
1-1/8" - 4"

P4B
35 - 140mm
2-3/8" - 5-1/2"



F4B
35 - 100mm
1-7/16" - 3-15/16"

FC
35 - 125mm
1-1/8" - 5"



WSTU
35 - 100mm
1-1/8" - 4"

Insert / Lager
35 - 140mm
1-1/8" - 7"



EP2B
35 - 90mm
1-3/8" - 3-1/2"

EP4B
60 - 125mm
2-1/4" - 5"

Plummer Blocks

Sleeve Bearings

SLEEVOIL

Take-Up Frames

Engineering

Part Number Index

Keyword Index

FEATURES/BENEFITS PAGE B16-3	NOMENCLATURE PAGE B16-6	SELECTION PAGE B16-7	DIMENSIONS PAGE B16-13
---------------------------------	----------------------------	-------------------------	---------------------------

NOMENCLATURE

ISN RATINGS

Table 1: ISN Spherical Roller Bearings

Housing	Bearings	Maximum Allowable Adapter Thrust kN	Basic Load Ratings		e	$F_A/F_R \leq e$		$F_A/F_R > e$		Max. RPM ★		Maximum Expansion
			Dynamic Capacity (C) kN	Static Capacity (C ₀) kN		X ₁	Y ₁	X ₂	Y ₂	Trident Seal	Labyrinth Seal	
507 508	22208	2,7	93	94	0,28	1,0	2,4	0,67	3,6	3975	6000	3,18
509	22209	3,1	93	105	0,26	1,0	2,6	0,67	3,9	3725	5600	3,18
510 511	22210	3,4	98	118	0,24	1,0	2,8	0,67	4,2	3520	5300	6,35
512	22211	4,1	120	145	0,23	1,0	2,9	0,67	4,3	3000	4500	6,35
513	22213	6,0	174	216	0,24	1,0	2,8	0,67	4,2	2400	3800	6,35
515 516 517	22215	7,0	185	236	0,22	1,0	3,1	0,67	4,6	2250	3400	6,35
518 519	22218	10,8	285	363	0,23	1,0	2,9	0,67	4,3	1825	2600	6,35
520 522	22220	13,8	369	463	0,24	1,0	2,8	0,67	4,2	1530	2200	7,94
524	22222	17,5	463	587	0,25	1,0	2,7	0,67	4,0	1325	2000	9,53
526 528	22226	25,0	650	872	0,26	1,0	2,6	0,67	4,0	1175	1800	9,53
530	22228	28.5	738	1050	0.25	1,0	2.7	0,67	4,0	1100	1700	9,53
532	22232	38.4	979	1401	0.26	1,0	2.6	0,68	3,9	975	1500	9,53

Refer to pages B10-1 and B10-2 for information on bearing calculations, including L₁₀ life and loads

★ Maximum grease speed is dependant on load and ambient conditions. Consult Dodge Engineering.

NOMENCLATURE

ISN EASY SELECTION

Table 2: ISN Double Row Spherical Roller Bearing

Housing	L ₁₀ Life Hours	Allowable Equivalent Radial Load Rating (kN) at Various RPM																						
		50	100	150	250	500	750	1000	1300	1500	1700	1800	2000	2200	2600	2750	3000	3400	3800	4500	5300	5600	6000	
507	10000	33	27	24	21	17	15	14	13	12	12	11	11	11	10	10	10	7	6	9	8	8	8	
	30000	24	20	17	15	12	11	10	9	9	8	8	8	8	7	7	7	7	6	6	6	6	6	
	40000	22	18	16	14	11	10	9	8	8	8	8	7	7	7	7	6	6	6	6	5	5	5	5
	60000	20	16	14	12	10	9	8	7	7	7	7	6	6	6	6	6	6	5	5	5	5	5	5
	100000	17	14	12	10	8	7	7	6	6	6	6	6	5	5	5	5	5	5	4	4	4	4	4
508	10000	33	27	24	21	17	15	14	13	12	12	11	11	11	10	10	10	7	6	9	8	8	8	
	30000	24	20	17	15	12	11	10	9	9	8	8	8	8	7	7	7	7	6	6	6	6	6	
	40000	22	18	16	14	11	10	9	8	8	8	8	7	7	7	7	6	6	6	6	5	5	5	5
	60000	20	16	14	12	10	9	8	7	7	7	7	6	6	6	6	6	6	5	5	5	5	5	5
	100000	17	14	12	10	8	7	7	6	6	6	6	6	5	5	5	5	5	5	4	4	4	4	4
509	10000	33	27	24	21	17	15	14	13	12	12	11	11	11	10	10	10	7	9	9	6	8		
	30000	24	20	17	15	12	11	10	9	9	8	8	8	8	7	7	7	7	7	8	6	6	6	
	40000	22	18	16	14	11	10	9	8	8	8	8	7	7	7	7	6	6	6	6	6	5	5	
	60000	20	16	14	12	10	9	8	7	7	7	7	6	6	6	6	6	6	5	5	5	5	5	
	100000	17	14	12	10	8	7	7	6	6	6	6	6	5	5	5	5	5	5	4	4	4	4	4
510	10000	35	29	25	22	18	16	14	13	13	12	12	11	11	11	10	10	7	10	9	9			
	30000	25	21	18	16	13	11	10	10	9	9	9	8	8	8	8	7	7	7	7	7	6		
	40000	23	19	17	14	12	10	10	9	8	8	8	8	7	7	7	7	7	6	6	6	6		
	60000	21	17	15	13	10	9	8	8	7	7	7	7	6	6	6	6	6	6	6	5	5		
	100000	18	14	13	11	9	8	7	7	6	6	6	6	6	5	5	5	5	5	5	5	4		
511	10000	35	29	25	22	18	16	14	13	13	12	12	11	11	11	10	10	7	10	9	9			
	30000	25	21	18	16	13	11	10	10	9	9	9	8	8	8	8	7	7	7	7	7	6		
	40000	23	19	17	14	12	10	10	9	8	8	8	8	7	7	7	7	7	6	6	6	6		
	60000	21	17	15	13	10	9	8	8	7	7	7	7	6	6	6	6	6	6	6	5	5		
	100000	18	14	13	11	9	8	7	7	6	6	6	6	6	5	5	5	5	5	5	5	4		
512	10000	43	35	31	27	22	19	18	16	16	15	15	14	14	13	13	9	12	12	11				
	30000	31	25	22	19	16	14	13	12	11	11	11	10	10	10	9	9	9	9	8				
	40000	29	23	21	18	14	13	12	11	10	10	10	9	9	9	9	8	8	8	7				
	60000	25	21	18	16	13	11	10	10	9	9	9	8	8	8	8	7	7	7	7	7			
	100000	22	18	16	13	11	10	9	8	8	8	8	7	7	7	7	6	6	6	6	6			
513	10000	61	50	44	38	31	27	25	23	22	21	21	20	14	19	18	18	17	17					
	30000	44	36	32	27	22	19	18	17	16	15	15	15	14	13	13	13	12	12	12	113	11		
	40000	40	33	29	25	20	18	16	15	15	14	14	13	13	12	12	12	11	11	10	10	10		
	60000	36	29	26	22	18	16	15	13	13	12	12	12	11	11	11	10	10	10	10	10	10		
	100000	31	25	22	19	15	14	12	12	11	11	10	10	10	9	9	9	9	9	8				
515	10000	67	54	48	41	33	30	27	25	24	23	23	22	15	20	20	19	19						
	30000	48	39	34	30	24	21	20	18	17	17	16	16	15	15	14	14	14						
	40000	44	36	32	27	22	20	18	17	16	15	15	15	14	13	13	13	12						
	60000	39	32	28	24	20	17	16	15	14	14	13	13	13	12	12	11	11						
	100000	33	27	24	21	17	15	14	13	12	12	11	11	11	10	10	10	9						
516	10000	67	54	48	41	33	30	27	25	24	23	23	22	15	20	20	19	19						
	30000	48	39	34	30	24	21	20	18	17	17	16	16	15	15	14	14	14						
	40000	44	36	32	27	22	20	18	17	16	15	15	15	14	13	13	13	12						
	60000	39	32	28	24	20	17	16	15	14	14	13	13	13	12	12	11	11						
	100000	33	27	24	21	17	15	14	13	12	12	11	11	11	10	10	10	9						

Use the labyrinth (S) seal for applications to the right of the vertical line.

For applications in the Dark shaded areas, the maximum load for the specific speed is shown. The load does not correspond to the L₁₀ shown.

Applications in the Light shaded areas may require high temperature lubrication. Please consult DODGE Engineering.

FEATURES/BENEFITS PAGE B16-3	NOMENCLATURE PAGE B16-6	SELECTION PAGE B16-8	DIMENSIONS PAGE B16-13
---------------------------------	----------------------------	-------------------------	---------------------------



NOMENCLATURE

ISN EASY SELECTION

Table 2: ISN Double Row Spherical Roller Bearing (continued)

Housing	L ₁₀ Life Hours	Allowable Equivalent Radial Load Rating (kN) at Various RPM																					
		50	100	150	250	500	750	1000	1300	1500	1700	1800	2000	2200	2600	2750	3000	3400	3800	4500	5300	5600	6000
517	10000	67	54	48	41	33	30	27	25	24	23	23	22	15	20	20	19	19					
	30000	48	39	34	30	24	21	20	18	17	17	16	16	15	15	14	14	14					
	40000	44	36	32	27	22	20	18	17	16	15	15	15	14	13	13	13	12					
	60000	39	32	28	24	20	17	16	15	14	14	13	13	13	12	12	11	11					
	100000	33	27	24	21	17	15	14	13	12	12	11	11	11	10	10	10	9					
518	10000	105	85	76	65	53	47	43	40	38	37	26	35	34	32								
	30000	76	61	54	47	38	34	31	28	27	26	26	25	24	23								
	40000	69	56	50	43	35	31	28	26	25	24	24	23	22	21								
	60000	61	50	44	38	31	27	25	23	22	21	21	20	20	19								
	100000	53	43	38	33	26	23	21	20	19	18	18	17	17	16								
519	10000	105	85	76	65	53	47	43	40	38	37	26	35	34	32								
	30000	76	61	54	47	38	34	31	28	27	26	26	25	24	23								
	40000	69	56	50	43	35	31	28	26	25	24	24	23	22	21								
	60000	61	50	44	38	31	27	25	23	22	21	21	20	20	19								
	100000	53	43	38	33	26	23	21	20	19	18	18	17	17	16								
520	10000	133	108	96	82	67	59	54	50	35	46	45	44	43									
	30000	96	78	69	59	48	43	39	36	35	33	33	32	31									
	40000	88	71	63	54	44	39	36	33	32	31	30	29	28									
	60000	78	63	56	48	39	35	32	29	28	27	27	26	25									
	100000	67	54	48	41	33	30	27	25	24	23	23	22	21									
522	10000	133	108	96	82	67	59	54	50	35	46	45	44	43									
	30000	96	78	69	59	48	43	39	36	35	33	33	32	31									
	40000	88	71	63	54	44	39	36	33	32	31	30	29	28									
	60000	78	63	56	48	39	35	32	29	28	27	27	26	25									
	100000	67	54	48	41	33	30	27	25	24	23	23	22	21									
524	10000	167	135	120	103	84	74	68	45	60	58	57	55										
	30000	120	97	86	74	60	53	49	45	43	42	41	40										
	40000	110	89	79	68	55	49	45	41	40	38	38	36										
	60000	97	79	70	60	49	43	40	37	35	34	33	32										
	100000	84	68	60	52	42	37	34	31	30	29	29	28										
526	10000	234	190	168	144	117	104	69	88	84	81	80											
	30000	168	137	121	104	84	75	69	63	61	59	58											
	40000	154	125	111	95	77	69	63	58	56	54	53											
	60000	137	111	98	84	69	61	56	52	49	48	47											
	100000	117	95	84	72	59	52	48	44	42	41	40											
528	10000	234	190	168	144	117	104	69	88	84	81	80											
	30000	168	137	121	104	84	75	69	63	61	59	58											
	40000	154	125	111	95	77	69	63	58	56	54	53											
	60000	137	111	98	84	69	61	56	52	49	48	47											
	100000	117	95	84	72	59	52	48	44	42	41	40											
530	10000	266	216	191	164	133	118	78	100	96	92												
	30000	191	155	138	118	96	85	78	72	69	66												
	40000	176	143	126	108	88	78	71	66	63	61												
	60000	155	126	112	96	78	69	63	59	56	54												
	100000	133	108	96	82	67	59	54	50	48	46												
532	10000	353	287	254	218	177	113	144	133	127													
	30000	254	206	182	157	127	113	103	95	91													
	40000	233	189	167	144	117	103	95	88	84													
	60000	206	167	148	127	103	91	84	78	74													
	100000	177	144	127	109	89	78	72	67	64													

Use the labyrinth (S) seal for applications to the right of the vertical line.
 For applications in the Dark shaded areas, the maximum load for the specific speed is shown. The load does not correspond to the L₁₀ shown.
 Applications in the Light shaded areas may require high temperature lubrication. Please consult DODGE Engineering.

FEATURES/BENEFITS PAGE B16-3	NOMENCLATURE PAGE B16-6	SELECTION PAGE B16-8	DIMENSIONS PAGE B16-13
---------------------------------	----------------------------	-------------------------	---------------------------

NOMENCLATURE

IMPERIAL - ISN Spherical Roller Bearings

**Table 4: Definition Of Operating Conditions
For Unitized Spherical Roller Bearings**

LOW SPEED	UP TO 20% OF MAX. RPM (TABLE 1)
MEDIUM SPEED	OVER 20% TO 80% OF MAX. RPM
HIGH SPEED	OVER 80% OF MAX. RPM
LIGHT LOAD	UP TO 8% OF C (TABLE 1)
NORMAL LOAD	OVER 8% TO 18% OF C
HEAVY LOAD	OVER 18% OF C
	C - DYNAMIC CAPACITY
LOW TEMPERATURE	-73°C to -7°C
MEDIUM TEMPERATURE	OVER -7°C to 93°C
HIGH TEMPERATURE	OVER 93°C to 122°C

FEATURES/BENEFITS PAGE B16-3	NOMENCLATURE PAGE B16-6	SELECTION PAGE B16-8	DIMENSIONS PAGE B16-13
---------------------------------	----------------------------	-------------------------	---------------------------

SELECTION

ISN PLUMMER BLOCKS WITH TRIDENT SEALS

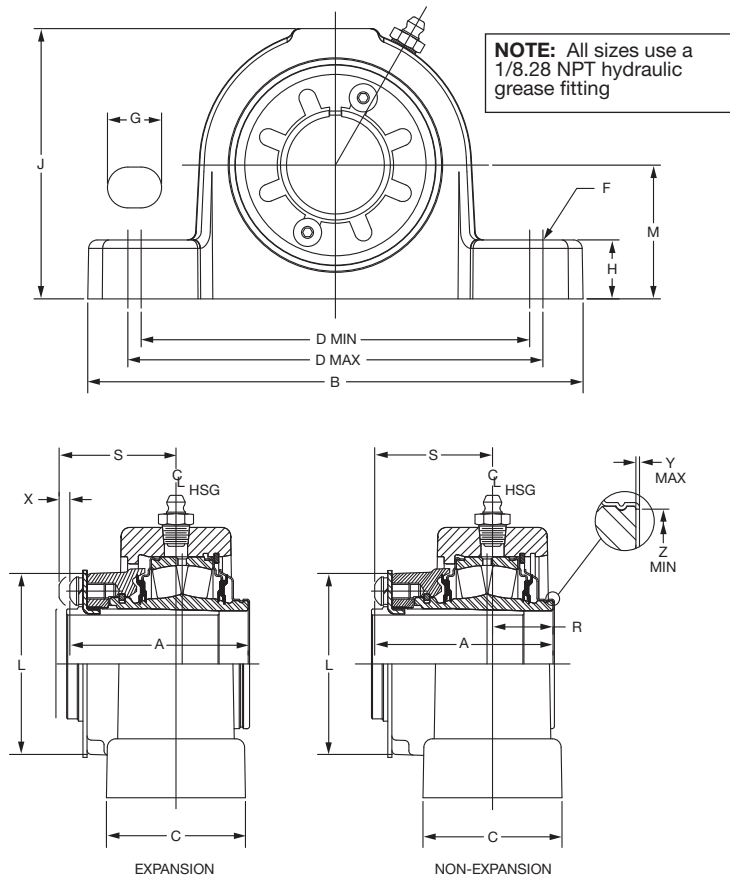
Series	Ø Shaft	Fixed bearing		Expansion Bearing		Hsg / Insert Pt #	Description	Sleeve Pt #	Description
		Part No.	Description	Part No.	Description				
507	30mm	071000	P2B507-ISN-030MFR	071017	P2B507-ISN-030MLR	071983	ISN 507-22208 FR	744975	ADPTR-IP-22208-30M
	1-1/8	747900	P2B507-ISN-102 FR	747904	P2B507-ISN-102 LR	071983	ISN 507-22208 FR	069286	ADPTR-IP-22208-102
	1-3/16	747901	P2B507-ISN-103FR	747905	P2B507-ISN-103 LR	071983	ISN 507-22208 FR	069287	ADPTR-IP-22208-103
508	35mm	071001	P2B508-ISN-035MFR	071018	P2B508-ISN-035MLR	071984	ISN 508-22208 FR	744976	ADPTR-IP-22208-35M
	1-1/4	747908	P2B508-ISN-104 FR	747912	P2B508-ISN-104 LR	071984	ISN 508-22208 FR	069288	ADPTR-IP-22208-104
	1-3/8	747909	P2B508-ISN-106 FR	747913	P2B508-ISN-106 LR	071984	ISN 508-22208 FR	069289	ADPTR-IP-22208-106
509	40mm	071002	P2B509-ISN-040MFR	071019	P2B509-ISN-040MLR	071985	ISN 509-22209 FR	744977	ADPTR-IP-22209-40M
	1-7/16	747916	P2B509-ISN-107 FR	747920	P2B509-ISN-107 LR	071985	ISN 509-22209 FR	064153	ADPTR-IP-22209-107
	1-1/2	747917	P2B509-ISN-108 FR	747921	P2B509-ISN-108 LR	071985	ISN 509-22209 FR	064154	ADPTR-IP-22209-108
510	45mm	071003	P2B510-ISN-045MFR	071020	P2B510-ISN-045MLR	071986	ISN 510-22210 FR	744978	ADPTR-IP-22210-45M
	1-11/16	747924	P2B510-ISN-111 FR	747928	P2B510-ISN-111 LR	071986	ISN 510-22210 FR	064155	ADPTR-IP-22210-111
	1-3/4	747925	P2B510-ISN-112 FR	747929	P2B510-ISN-112 LR	071986	ISN 510-22210 FR	064156	ADPTR-IP-22210-112
511	50mm	071004	P2B511-ISN-050MFR	071021	P2B511-ISN-050MLR	071987	ISN 511-22210 FR	744979	ADPTR-IP-22210-50M
	1-15/16	747932	P2B511-ISN-115 FR	747936	P2B511-ISN-115 LR	071987	ISN 511-22210 FR	069296	ADPTR-IP-22210-115
	2	747933	P2B511-ISN-200 FR	747937	P2B511-ISN-200 LR	071987	ISN 511-22210 FR	069297	ADPTR-IP-22210-200
512	55mm	071005	P2B512-ISN-055MFR	071022	P2B512-ISN-055MLR	071988	ISN 512-22211 FR	744980	ADPTR-IP-22211-055M
	2-1/8	748012	P2B512-ISN-202 FR	748013	P2B512-ISN-202 LR	071988	ISN 512-22211FR	064157	ADPTR-IP-22211-202
513	60mm	071006	P2B513-ISN-060MFR	071023	P2B513-ISN-060MLR	071989	ISN 513-22213 FR	744981	ADPTR-IP-22213-60M
	2-3/16	747940	P2B513-ISN-203 FR	747944	P2B513-ISN-203 LR	071989	ISN 513-22213 FR	064070	ADPTR-IP-22213-203
	2-1/4	747941	P2B513-ISN-204 FR	747945	P2B513-ISN-204 LR	071989	ISN 513-22213 FR	064071	ADPTR-IP-22213-204
515	65mm	071007	P2B515-ISN-065MFR	071024	P2B515-ISN-065MLR	071990	ISN 515-22215 FR	744982	ADPTR-IP-22215-65M
	2-7/16	747948	P2B515-ISN-207 FR	747952	P2B515-ISN-207 LR	071990	ISN 515-22215 FR	064072	ADPTR-IP-22215-207
	2-1/2	747949	P2B515-ISN-208 FR	747953	P2B515-ISN-208 LR	071990	ISN 515-22215 FR	064073	ADPTR-IP-22215-208
516	70mm	071008	P2B516-ISN-070MFR	071025	P2B516-ISN-070MLR	071991	ISN 516/517-22215 FR	744983	ADPTR-IP-22215-70M
	2-11/16	747956	P2B516-ISN-211 FR	747960	P2B516-ISN-211 LR	071991	ISN 516/517-22215 FR	069303	ADPTR-IP-22215-211
	2-3/4	747957	P2B516-ISN-212 FR	747961	P2B516-ISN-212 LR	071991	ISN 516/517-22215 FR	069304	ADPTR-IP-22215-212
517	75mm	071009	P2B517-ISN-075MFR	071026	P2B517-ISN-075MLR	071991	ISN 516/517-22215 FR	744984	ADPTR-IP-22215-75MM
	2-15/16	747964	P2B517-ISN-215 FR	747968	P2B517-ISN-215 LR	071991	ISN 516/517-22215 FR	069305	ADPTR-IP-22215-215
	3	747965	P2B517-ISN-300 FR	747969	P2B517-ISN-300 LR	071991	ISN 516/517-22215 FR	069306	ADPTR-IP-22215-300
518	80mm	071010	P2B518-ISN-080MFR	071027	P2B518-ISN-080MLR	071992	ISN 518-22218 FR	744985	ADPTR-IP-22218-80M
	3-3/16	747972	P2B518-ISN-303 FR	747976	P2B518-ISN-303 LR	071992	ISN 518-22218 FR	069307	ADPTR-IP-22218-303
	3-1/4	747973	P2B518-ISN-304 FR	747977	P2B518-ISN-304 LR	071992	ISN 518-22218 FR	069308	ADPTR-IP-304
519	85mm	071011	P2B519-ISN-085MFR	071028	P2B519-ISN-085MLR	071993	ISN 519-22218 FR	744986	ADPTR-IP-22218-85M
520	90mm	071012	P2B520-ISN-090MFR	071029	P2B520-ISN-090MLR	071994	ISN 520-22220 FR	744987	ADPTR-IP-22220-090MM
	3-7/16	747980	P2B520-ISN-307 FR	747984	P2B520-ISN-307 LR	071994	ISN 520-22220 FR	064074	ADPTR-IP-22220-307
	3-1/2	747981	P2B520-ISN-308 FR	747985	P2B520-ISN-308 LR	071994	ISN 520-22220 FR	064075	ADPTR-IP-22220-308
522	100mm	071013	P2B522-ISN-100MFR	071030	P2B522-ISN-100MLR	071995	ISN 522-22220 FR	744988	ADPTR-IP-22220-100MM
	3-15/16	747988	P2B522-ISN-315 FR	747992	P2B522-ISN-315 LR	071995	ISN 522-22220 FR	069312	ADPTR-IP-22220-315
	4	747989	P2B522-ISN-400 FR	747993	P2B522-ISN-400 LR	071995	ISN 522-22220 FR	069313	ADPTR-IP-22220-400
524	110mm	071014	P2B524-ISN-110MFR	071031	P2B524-ISN-110MLR	071996	ISN 524-22222 FR	744989	ADPTR-IP-22222-110MM
526	115mm	071015	P2B526-ISN-115MFR	071032	P2B526-ISN-115MLR	071997	ISN 526-22226 FR	744990	ADPTR-IP-22226-115MM
	4-7/16	747996	P2B526-ISN-407 FR	748000	P2B526-ISN-407 LR	071997	ISN 526-22226 FR	064076	ADPTR-IP-22226-407
	4-1/2	747997	P2B526-ISN-408 FR	748001	P2B526-ISN-408 LR	071997	ISN 526-22226 FR	064077	ADPTR-IP-22226-408
528	125mm	071016	P2B528-ISN-125MFR	071033	P2B528-ISN-125MLR	071998	ISN 528-22226 FR	744991	ADPTR-IP-22226-125MM
	4-15/16	748004	P2B528-ISN-415 FR	748008	P2B528-ISN-415 LR	071998	ISN 528-22226 FR	069316	ADPTR-IP-22226-415
	5	748005	P2B528-ISN-500 FR	748009	P2B528-ISN-500 LR	071998	ISN 528-22226 FR	069317	ADPTR-IP-22226-500
530	135mm	071102	P2B530-ISN-135MFR	071103	P2B530-ISN-135MLR			071114	ADPTR-IP-22228-135M
532	140	071106	P2B532-ISN-140MFR	071107	P2B532-ISN-140MLR			071115	ADPTR-IP-22230-140M

F = Non-Expansion, L = Expansion, R = Trident Rubbing Seal, S = Labyrinth Seal

FEATURES/BENEFITS PAGE B16-3	NOMENCLATURE PAGE B16-6	SELECTION PAGE B16-12	DIMENSIONS PAGE B16-13
---------------------------------	----------------------------	--------------------------	---------------------------

SELECTION

ISN DIMENSIONS



Series	Shaft Size mm	A	B	C	D		F Bolt Dia	G	H	J	L	M	R	S	X Total Expansion
					Min	Max									
507	30	66.7	184.9	52.0	145.0	155.0	M12	20.0	22.0	100.9	67.6	50.0	22.6	44.1	4.0
508	35	66.7	205.9	60.2	150.0	174.6	M12	27.3	25.0	110.8	67.6	60.0	22.6	44.1	4.0
509	40	71.4	206.3	60.2	155.0	174.6	M12	24.8	25.0	114.0	74.7	60.0	20.6	50.8	6.5
510	45	72.6	204.9	60.2	160.0	175.0	M12	22.5	25.0	113.8	81.0	60.0	21.8	50.8	6.5
511	50	72.6	253.9	70.2	190.0	215.9	M16	31.0	28.0	124.5	81.0	70.0	21.8	50.8	6.5
512	55	77.0	253.9	69.9	190.0	216.0	M16	31.0	30.0	130.3	87.1	70.0	23.0	54.0	7.0
513	60	86.9	274.9	80.2	205.0	235.0	M16	33.0	30.0	152.4	96.5	80.0	30.6	56.3	7.0
515	65	88.9	280.1	80.1	215.0	236.0	M16	28.5	30.0	156.0	106.7	80.0	31.4	57.5	7.0
516	70	88.9	315.9	90.2	244.5	268.3	M20	34.1	32.0	176.0	106.7	95.0	31.4	57.5	7.0
517	75	88.9	315.9	90.2	244.5	268.3	M20	34.1	32.0	176.0	106.7	95.0	31.4	57.5	7.0
518	80	106.0	345.3	110.3	270.0	293.7	M20	34.0	35.0	196.7	124.7	100.0	37.7	68.3	7.0
519	85	106.0	345.0	100.2	264.2	296.1	M20	37.9	35.0	205.2	124.7	112.0	37.7	68.3	7.0
520	90	120.0	379.8	110.2	292.8	327.0	M24	43.1	40.0	218.3	138.7	112.0	41.7	77.8	8.0
522	100	120.0	410.0	120.0	314.4	356.0	M24	46.8	45.0	239.0	138.7	125.0	41.7	77.8	8.0
524	110	133.0	410.0	120.0	314.5	356.0	M24	46.8	45.0	260.7	161.3	140.0	44.5	88.5	10.0
526	115	152.0	444.8	130.0	359.6	387.0	M24	41.7	50.0	292.8	191.8	150.0	48.4	103.6	10.0
528	125	152.0	500.0	150.2	400.0	427.0	M30	48.5	50.0	290.4	191.8	150.0	48.4	103.6	10.0
530	135	156.8	539.8	159.8	443.0	457.0	M30	42.0	60.0	312.5	222.2	160.0	51.8	105.0	16.3
532	140	179.8	560.0	160.0	463.0	477.0	M30	42.0	60.0	345.3	260.4	170.0	62.4	117.4	16.8

FEATURES/BENEFITS PAGE B16-3	NOMENCLATURE PAGE B16-6	SELECTION PAGE B16-12	DIMENSIONS PAGE B16-13
---------------------------------	----------------------------	--------------------------	---------------------------



SELECTION

ISN PLUMMER BLOCKS WITH LABYRINTH SEALS

30 Through 140mm, 2-Bolt

Series	Ø Shaft	Part No.	Fixed Bearing Description	Part No.	Exp. Bearing Description
507	30mm	071034	P2B507-ISN-030MFS	071051	P2B507-ISN-030MLS
508	35mm	071035	P2B508-ISN-035MFS	071052	P2B508-ISN-035MLS
509	40mm 1-1/2"	071036	P2B509-ISN-040MFS	070053	P2B509-ISN-040MLS
		075154	P2B509-ISN-108 FS		
510	45mm	071037	P2B510-ISN-045MFS	071054	P2B510-ISN-045MLS
511	50mm	071038	P2B511-ISN-050MFS	071055	P2B511-ISN-050MLS
512	55mm	071039	P2B512-ISN-055MFS	071056	P2B512-ISN-055MLS
513	60mm 2-3/16" 2-1/2"	071040	P2B513-ISN-060MFS	071057	P2B513-ISN-060MLS
		077481	P2B513-ISN-203 FS		
515	65mm 2-1/2"	071041	P2B515-ISN-065MFS	071058	P2B515-ISN-065MLS
		074989	P2B515-ISN-208 FS		
516	70mm	071042	P2B516-ISN-070MFS	071059	P2B516-ISN-070MLS
517	75mm	071043	P2B517-ISN-075MFS	071060	P2B517-ISN-075MLS
518	80mm	071044	P2B518-ISN-080MFS	071061	P2B518-ISN-080MLS
519	85mm	071045	P2B519-ISN-085MFS	071062	P2B519-ISN-085MLS
520	90mm	071046	P2B520-ISN-090MFS	071063	P2B520-ISN-090MLS
522	100mm	071047	P2B522-ISN-100MFS	071064	P2B522-ISN-100MLS
524	110mm	071048	P2B524-ISN-110MFS	071065	P2B524-ISN-110MLS
526	115mm	071049	P2B526-ISN-115MFS	071066	P2B526-ISN-115MLS
528	125mm	071050	P2B528-ISN-125MFS	071067	P2B528-ISN-125MLS
530	135mm	071104	P2B530-ISN-135MFS	071105	P2B530-ISN-135MLS
532	140mm	071108	P2B532-ISN-140MFS	071109	P2B532-ISN-140MLS

FEATURES/BENEFITS
PAGE B16-3

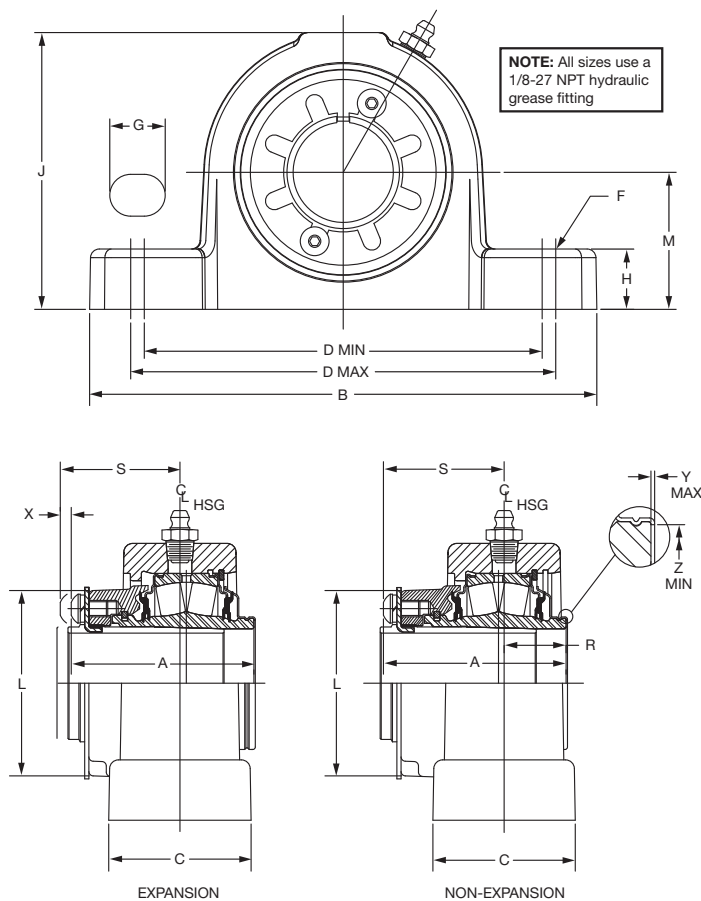
NOMENCLATURE
PAGE B16-6

SELECTION
PAGE B16-12

DIMENSIONS
PAGE B16-13

DIMENSIONS

ISN PLUMMER BLOCK DIMENSIONS



Series	Shaft Size mm	A	B	C	D		F Bolt Dia	G	H	J	L	M	R	S	X Total Expansion
					Min	Max									
507	30	66.7	184.9	52.0	145.0	155.0	M12	20.0	22.0	100.9	67.6	50.0	22.6	44.1	4.0
508	35	66.7	205.9	60.2	150.0	174.6	M12	27.3	25.0	110.8	67.6	60.0	22.6	44.1	4.0
509	40	71.4	206.3	60.2	155.0	174.6	M12	24.8	25.0	114.0	74.7	60.0	20.6	50.8	6.5
510	45	72.6	204.9	60.2	160.0	175.0	M12	22.5	25.0	113.8	81.0	60.0	21.8	50.8	6.5
511	50	72.6	253.9	70.2	190.0	215.9	M16	31.0	28.0	124.5	81.0	70.0	21.8	50.8	6.5
512	55	77.0	253.9	69.9	190.0	216.0	M16	31.0	30.0	130.3	87.1	70.0	23.0	54.0	7.0
513	60	86.9	274.9	80.2	205.0	235.0	M16	33.0	30.0	152.4	96.5	80.0	30.6	56.3	7.0
515	65	88.9	280.1	80.1	215.0	236.0	M16	28.5	30.0	156.0	106.7	80.0	31.4	57.5	7.0
516	70	88.9	315.9	90.2	244.5	268.3	M20	34.1	32.0	176.0	106.7	95.0	31.4	57.5	7.0
517	75	88.9	315.9	90.2	244.5	268.3	M20	34.1	32.0	176.0	106.7	95.0	31.4	57.5	7.0
518	80	106.0	345.3	100.3	270.0	293.7	M20	34.0	35.0	196.7	124.7	100.0	37.7	68.3	7.0
519	85	106.0	345.0	100.2	264.2	296.1	M20	37.9	35.0	205.2	124.7	112.0	37.7	68.3	7.0
520	90	120.0	379.8	110.2	292.8	327.0	M24	43.1	40.0	218.3	138.7	112.0	41.7	77.8	8.0
522	100	120.0	410.0	120.0	314.4	356.0	M24	46.8	45.0	239.0	138.7	125.0	41.7	77.8	8.0
524	110	133.0	410.0	120.0	314.5	356.0	M24	46.8	45.0	260.7	161.3	140.0	44.5	88.5	10.0
526	115	152.0	444.8	130.0	359.6	387.0	M24	41.7	50.0	292.8	191.8	150.0	48.4	103.6	10.0
528	125	152.0	500.0	150.2	400.0	427.0	M30	48.5	50.0	290.4	191.8	150.0	48.4	103.6	10.0
530	135	156.8	539.8	159.8	443.0	457.0	M30	42.0	60.0	312.5	222.2	160.0	51.8	105.0	16.3
532	140	179.8	560.0	160.0	463.0	477.0	M30	42.0	60.0	345.3	260.4	170.0	62.4	117.4	16.8

FEATURES/BENEFITS PAGE B16-3	NOMENCLATURE PAGE B16-6	SELECTION PAGE B16-12	DIMENSIONS PAGE B16-13
---------------------------------	----------------------------	--------------------------	---------------------------

DIMENSIONS

ISN BEARING INSERTS
Metric Sizes 30-170 mm

Plummer Blocks

Sleeve Bearings

SLEEVOIL

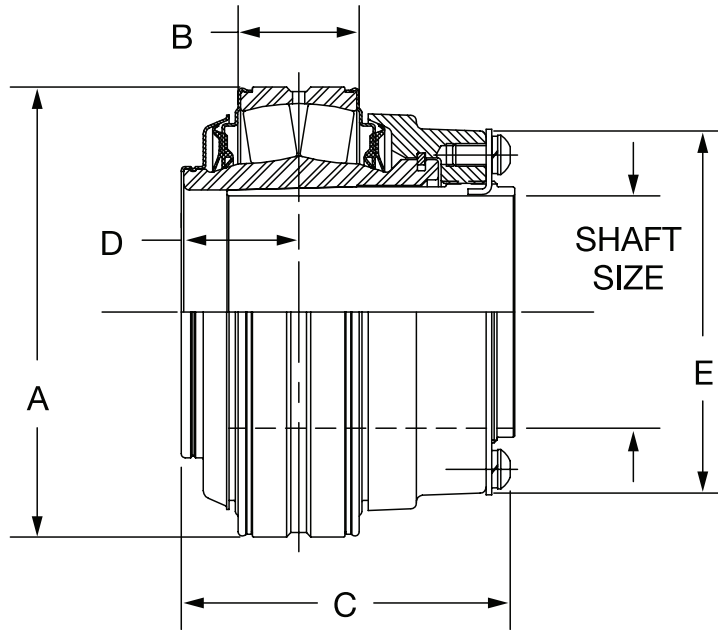
Take-Up Frames

Engineering

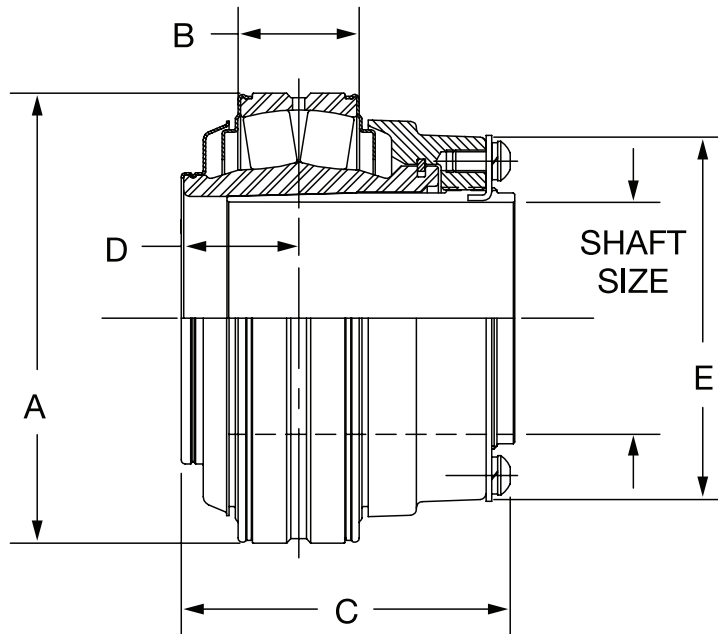
Part Number Index

Keyword Index

CONTACT SEAL



LABYRINTH SEAL



FEATURES/BENEFITS PAGE B16-3	NOMENCLATURE PAGE B16-6	SELECTION PAGE B16-12	DIMENSIONS PAGE B16-16
---------------------------------	----------------------------	--------------------------	---------------------------



DIMENSIONS

ISN BEARING INSERTS Metric Sizes 30-170 mm

Shaft Size mm	Contact Seal		Labyrinth Seal		Dimensions in mm				
	Part Number	Description	Part Number	Description	A	B	C	D	E
30	071068	INS-ISN-30MR	071085	INS-ISN-30MS	80.0	24.0	66.7	24.6	67.6
35	071069	INS-ISN-35MR	071086	INS-ISN-35MS					
40	071070	INS-ISN-40MR	071087	INS-ISN-40MS	85.0	24.0	71.4	24.2	74.7
45	071071	INS-ISN-45MR	071088	INS-ISN-45MS	90.0	24.0	72.6	24.8	81.0
50	071072	INS-ISN-50MR	071089	INS-ISN-50MS					
55	071073	INS-ISN-55MR	071090	INS-ISN-55MS	100.0	26.3	77.0	26.7	87.1
60	071074	INS-ISN-60MR	071091	INS-ISN-60MS	120.0	32.3	86.9	30.7	96.5
65	071075	INS-ISN-65MR	071092	INS-ISN-65MS	130.0	32.3	88.9	31.0	106.7
70	071076	INS-ISN-70MR	071093	INS-ISN-70MS					
75	071077	INS-ISN-75MR	071094	INS-ISN-75MS					
80	071078	INS-ISN-80MR	071095	INS-ISN-80MS	160.0	41.3	106.3	37.7	124.7
85	071079	INS-ISN-85MR	071096	INS-ISN-85MS					
90	071080	INS-ISN-90MR	071097	INS-ISN-90MS	180.0	47.3	120.0	41.8	138.7
100	071081	INS-ISN-100MR	071098	INS-ISN-100MS					
110	071082	INS-ISN-110MR	071099	INS-ISN-110MS	200.0	54.8	133.0	49.1	161.3
115	071083	INS-ISN-115MR	071100	INS-ISN-115MS	230.0	65.8	152.0	53.5	191.8
125	071084	INS-ISN-125MR	071101	INS-ISN-125MS					
135	071116	INS-ISN-135MR	071117	INS-ISN-135MS	250.0	69.9	156.8	59.4	222.2
140	071118	INS-ISN-140MR	071119	INS-ISN-140MS	290.0	81.8	179.8	70.3	260.4
150	079991	INS-ISN-150MR	—	—					
160	079992	INS-ISN-160MR	—	—	320.0	88.1	187.7	72.7	289.7
170	079993	INS-ISN-170MR	—	—					

FEATURES/BENEFITS PAGE B16-3	NOMENCLATURE PAGE B16-6	SELECTION PAGE B16-12	DIMENSIONS PAGE B16-16
---------------------------------	----------------------------	--------------------------	---------------------------



DIMENSIONS

ISNX Pillow Block Hydraulic

Table 5: Spherical Roller Bearings

23100K Series

Shaft Size Adapter Mounted Inches	Bearing Series	e	$F_A/F_R \leq e$		$F_A/F_R > e$		Adapter Maximum Allowable Thrust Load kN †	Dynamic Capacity (C) kN	Static Capacity (C ₀) kN	Maximum RPM
			X	Y	X	Y				
150mm	23134K	.28	1	2.40	.67	3.50	45	1032	1668	1300
160mm	23136K	.29	1	2.30	.67	3.50	52	1201	1913	1200
170mm	23138K	.30	1	2.30	.67	3.40	59	1357	2180	1100
180mm	23140K	.35	1	2.00	.67	2.90	67	1335	2269	900
200mm	23144K	.33	1	2.00	.67	3.00	79	1624	2914	800
220mm	23148K	.33	1	2.10	.67	3.10	92	1846	3269	750
9-7/16" 9-1/2" 240mm"	23152K	.33	1	2.00	.67	3.00	89	2180	4003	670
10-7/16" 10-1/2" 260mm"	23156K	.32	1	2.10	.67	3.20	123	2358	4359	630
10-15/16" 11" 280mm"	23160K	.33	1	2.10	.67	3.10	144	2669	4938	600
11-15/16" 12" 300mm"	23164K	.34	1	2.00	.67	2.90	169	3203	5961	530
12-7/16" 12-1/2" 320mm"	23168K	.34	1	2.00	.67	2.90	194	3692	6939	500
13-7/16" 13-1/2" 340mm"	23172K	.33	1	2.10	.67	3.10	203	3781	7384	480
13-15/16" 14" 360mm"	23176K	.32	1	2.10	.67	3.20	221	4070	8140	450

If the thrust load exceeds adapter maximum allowable thrust load, auxiliary methods of carrying thrust are required.
23100K series bearings will be provided with metric housings only.

FEATURES/BENEFITS PAGE B16-4	NOMENCLATURE PAGE B16-6	SELECTION PAGE B16-18	DIMENSIONS PAGE B16-18
---------------------------------	----------------------------	--------------------------	---------------------------



DIMENSIONS

ISNX Large-Bore Hydraulic Assist Spherical Roller Bearing Selection

Table 6: ISNX Large-Bore Hydraulic Assist Spherical Roller Bearings Selection Table

Shaft Size	Housing Designation	Bearing Series	Max RPM Grease Life	L10 Hours	Allowable Equivalent Radial Load Rating (kN) AT VARIOUS RPM														
					50	100	150	200	250	300	400	500	550	600	650	700	750	950	1300
23100K Series																			
150mm	3134	23134K	1300	50,000	230	186	165	151	142	134	123	115	112	109	106	104	102	95	86
				80,000	199	162	143	132	123	116	107	200	97	95	92	90	88	82	75
				100,000	186	151	134	123	115	109	100	93	91	88	86	84	83	77	70
160mm	3136	23136K	1200	50,000	267	217	192	176	165	156	143	134	130	127	124	121	119	110	101
				80,000	232	188	167	153	143	136	124	116	113	110	107	105	103	96	87
				100,000	217	176	156	143	134	127	116	109	106	103	101	98	96	90	82
170mm	3138	23138K	1100	50,000	302	245	217	199	186	176	162	151	147	143	140	137	134	125	114
				80,000	262	213	188	173	162	153	140	131	128	124	121	119	116	108	99
				100,000	245	199	176	162	151	143	131	123	119	116	114	111	109	101	92
180mm	3140	23140K	900	50,000	297	241	213	196	183	173	159	149	145	141	137	134	132	123	
				80,000	258	209	185	170	159	151	138	129	126	122	119	117	114	107	
				100,000	241	196	173	159	149	141	129	121	117	114	112	109	107	100	
200mm	3144	23144K	800	50,000	361	293	260	238	223	211	194	181	176	171	167	164	160		
				80,000	314	255	226	207	194	183	168	157	153	149	145	142	139		
				100,000	293	238	211	194	181	171	157	147	143	139	136	133	130		
220mm	3148	23148K	750	50,000	411	334	295	271	253	240	220	206	200	195	190	186	182		
				80,000	357	290	256	235	220	208	191	179	174	169	165	162	158		
				100,000	334	271	240	220	206	195	179	167	162	158	154	151	148		
9-7/16" 9-1/2" 240mm	3152	23152K	670	50,000	485	394	349	320	299	283	260	243	236	230	225	220	215		
				80,000	421	342	303	278	260	246	226	211	205	200	195	191	187		
				100,000	394	320	283	260	243	230	211	197	192	187	182	178	175		
10-7/16" 10-1/2" 260mm	3156	23156K	630	50,000	524	426	377	346	324	306	281	263	255	249	243	238	233		
				80,000	455	370	328	300	281	266	244	228	222	216	211	206	202		
				100,000	426	346	297	281	263	249	228	213	207	202	197	193	189		
10-15/16" 11" 280mm	3160	23160K	600	50,000	594	482	427	392	366	347	318	298	289	282	275	269	263		
				80,000	419	419	371	340	318	301	276	258	251	245	239	234	229		
				100,000	482	392	347	318	298	282	258	242	235	229	223	218	205		
11-15/16" 12" 300mm	3164	23164K	530	50,000	712	579	512	470	440	416	382	357	347	338	330				
				60,000	619	503	445	408	382	361	332	310	301	294	287				
				100,000	579	470	416	382	268	338	310	390	282	275	268				
12-7/16" 12-1/2" 320mm	3168	23168K	500	50,000	821	667	591	542	507	480	440	412	400	301					
				80,000	713	579	513	471	440	417	382	357	347	338					
				100,000	667	542	480	431	412	390	357	334	325	316					
13-7/16" 13-1/2" 340mm	3172	23172K	480	50,000	841	683	605	555	519	491	451	421	410	399					
				80,000	730	593	525	482	451	427	391	277	356	347					
				100,000	683	555	491	451	421	310	366	342	333	323					
13-15/16" 14" 360mm	3176	23176K	450	50,000	905	735	651	597	559	529	485	454	441						
				80,000	786	639	565	519	485	459	421	394	383						
				100,000	735	597	529	485	454	430	394	368	358						

Plummer Blocks

Sleeve Bearings

SLEEVOIL

Take-Up Frames

Engineering

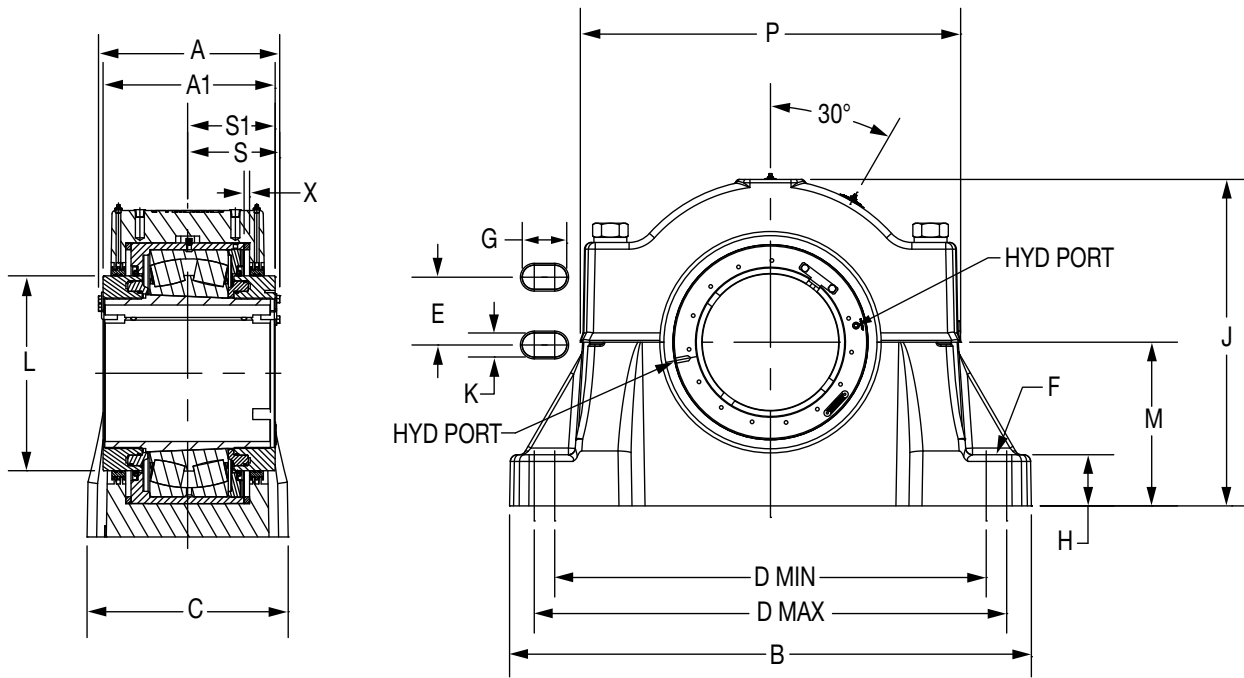
Part Number Index

Keyword Index

FEATURES/BENEFITS PAGE B16-4	NOMENCLATURE PAGE B16-6	SELECTION PAGE B16-18	DIMENSIONS PAGE B16-18
---------------------------------	----------------------------	--------------------------	---------------------------

DIMENSIONS

ISNX HYD LARGE BORE SN DIMENSION PLUMMER BLOCKS

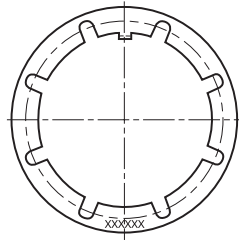


Housing Designation	Bearing Series	Shaft Size	Part Number	Description	Insert Number
3134	23134K	150mm	072919	P4B134-ISNX-150MR HYD	072895
3136	23136K	160mm	072920	P4B136-ISNX-160MR HYD	072896
3138	23138K	170mm	072921	P4B138-ISNX-170MR HYD	072897
3140	23140K	180mm	072922	P4B140-ISNX-180MR HYD	072898
3144	23144K	200mm	072923	P4B144-ISNX-200MR HYD	072899
3148	23148K	220mm	072924	P4B148-ISNX-220MR HYD	072900
3152	23152K	240mm	072912	P4B152-ISNX-240MR HYD	072901
3156	23156K	260mm	072913	P4B156-ISNX-260MR HYD	072902
3160	23160K	280mm	072914	P4B160-ISNX-280MR HYD	072903
3164	23164K	300mm	072915	P4B164-ISNX-300MR HYD	072904
3168	23168K	320mm	072916	P4B168-ISNX-320MR HYD	072905
3172	23172K	340mm	072917	P4B172-ISNX-340MR HYD	072906
3176	23176K	360mm	072918	P4B176-ISNX-360MR HYD	072907

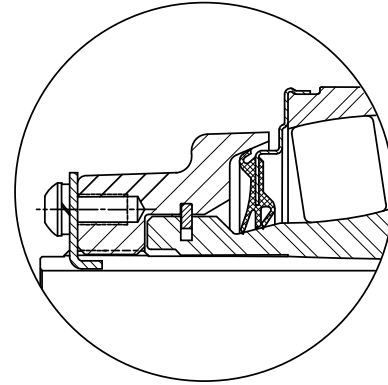
DIMENSIONS

ISN LOCKPLATE KITS

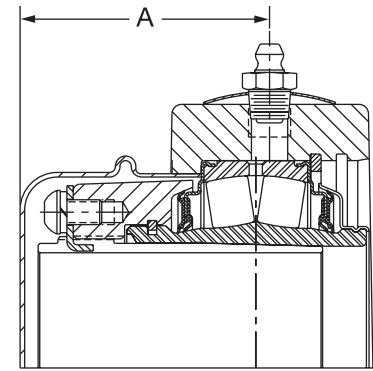
Size	Part No.
30	048925
35	048925
40	048926
45	048927
50	048927
55	048928
60	048929
65	048930
70	048930
75	048930
80	048931
85	048931
90	048932
100	048932
110	048933
115	048934
125	048934
135	---
140	---



Kit consists of:
 1 Lockplate
 2 Socket head capscrews
 2 Lockwashers



ISN END COVER



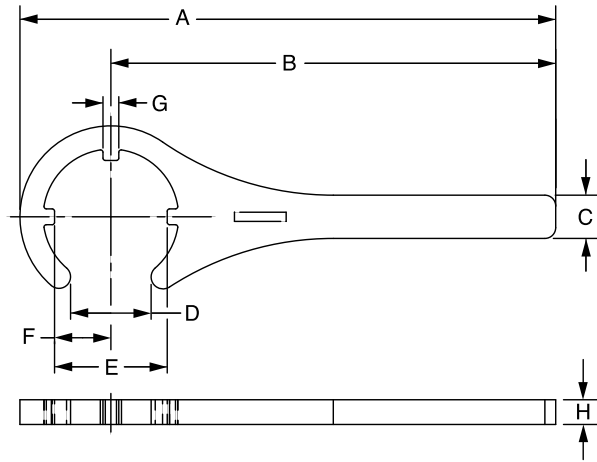
Plummer Block

Housing Series	Bore Size	Front Side Closed Cover		Front Side Open Cover		Back Side Open Cover		A Dimensions in mm
		Part Number	Description	Part Number	Description	Part Number	Description	
507	30	069960	IPEC08	070251	IPECO-08-30mm	070620	IPBECO-08-30mm	49.5
508	35	069960	IPEC08	070252	IPECO-08-35mm	070621	IPBECO-08-35mm	49.5
509	40	069961	IPEC09	070253	IPECO-09-40mm	070622	IPBECO-09-40mm	55.0
510	45	069962	IPEC10	070254	IPECO-10-45mm	070623	IPBECO-10-45mm	58.3
511	50	069962	IPEC10	070255	IPECO-10-50mm	070624	IPBECO-10-50mm	58.3
512	55	069963	IPEC11	070256	IPECO-11-55mm	070625	IPBECO-11-55mm	61.7
513	60	069964	IPEC13	070257	IPECO-13-60mm	070626	IPBECO-13-60mm	66.3
515	65	069965	IPEC15	070258	IPECO-15-65mm	070627	IPBECO-15-65mm	70.0
516	70	069965	IPEC15	070259	IPECO-15-70mm	070628	IPBECO-15-70mm	70.0
517	75	069965	IPEC15	070260	IPECO-15-75mm	070629	IPBECO-15-75mm	70.0
518	80	069966	S2IPEC18	070261	IPECO-18-80mm	070630	IPBECO-18-80mm	78.3
519	85	069966	S2IPEC18	070262	IPECO-18-85mm	070631	IPBECO-18-85mm	78.3
520	90	069967	S2IPEC20	070263	IPECO-20-90mm	070632	IPBECO-20-90mm	91.2
522	100	069967	S2IPEC20	070264	IPECO-20-100mm	070633	IPBECO-20-100mm	91.2
524	110	069968	S2IPEC22	070265	IPECO-22-110mm	070634	IPBECO-22-110mm	97.7
526	115	069969	S2IPEC26	070266	IPECO-29-115mm	070635	IPBECO-29-115mm	111.4
528	125	069969	S2IPEC26	070267	IPECO-26-125mm	070636	IPBECO-26-125mm	111.4
530	135	069983	IPEC28					125.2
532	140	069984	IPEC30					143.2

FEATURES/BENEFITS PAGE B16-3	NOMENCLATURE PAGE B16-6	SELECTION PAGE B16-8	DIMENSIONS PAGE B16-13
---------------------------------	----------------------------	-------------------------	---------------------------

DIMENSIONS

IMPERIAL SPANNER

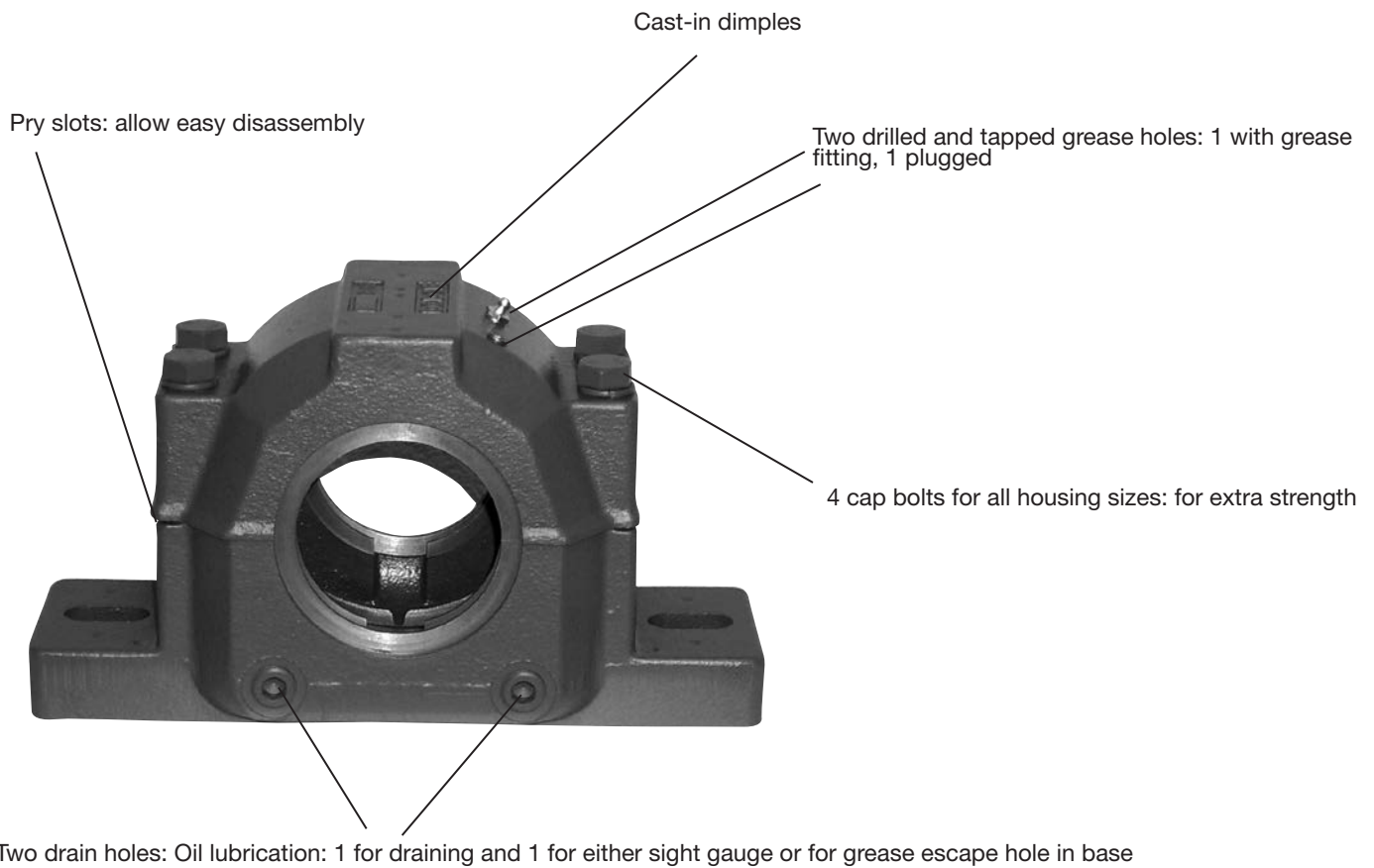


Dimensions mm/inch

Shaft Size		Part No.	A	B	C	D	E	F	G	N	Housing Series
mm	Inch										
30 thru 35	1-1/8 thru 1-1/2	066629	10.84 275.3	9.00 228.6	0.88 22.4	1.63 41.4	2.28 57.9	1.14 29.0	0.32 8.1	0.50 12.7	507 thru 508
40	1-5/8 thru 1-3/4	066630	11.04 280.4	9.00 228.6	0.88 22.4	1.88 47.8	2.48 63.0	1.24 31.5	0.32 8.1	0.50 12.7	509
45 thru 50	1-7/8 thru 2	066631	11.20 284.5	9.00 228.6	0.88 22.4	2.13 54.1	2.73 69.2	1.36 34.5	0.32 8.1	0.50 12.7	510
55	2-1/8	066632	12.38 314.5	10.00 254.0	0.88 22.4	2.38 60.5	2.98 75.7	1.49 37.8	0.44 11.2	0.50 12.7	512
60	2-3/16 thru 2-1/4	066633	12.63 320.8	10.00 254.0	1.31 33.3	2.63 66.8	3.40 86.4	1.70 43.2	0.44 11.2	0.50 12.7	513
60 70 75	2-7/16 thru 3	066634	16.90 429.3	14.00 355.6	1.31 33.3	3.13 79.5	3.80 96.5	1.90 48.3	0.44 11.2	0.50 12.7	515 516 517
80 thru 85	3-3/16 thru 3-1/4	066635	17.39 441.7	14.00 355.6	1.31 33.3	3.63 92.2	4.36 110.7	2.18 55.4	0.44 11.2	0.50 12.7	518 thru 519
90 thru 100	3-7/16 thru 4	066636	17.75 450.9	14.00 355.6	1.75 44.5	4.13 104.9	4.91 124.7	2.46 62.5	0.44 11.2	0.50 12.7	520 thru 522
110		066637	20.36 517.1	16.00 406.4	1.75 44.5	4.63 117.6	5.68 144.3	2.84 72.1	0.44 11.2	0.50 12.7	524
115 thru 125	4-7/16 thru 5	066638	25.17 639.3	20.00 508.0	2.00 50.8	5.13 130.3	6.88 174.8	3.44 87.4	0.44 11.2	0.50 12.7	526 thru 528
135	5-7/16 thru 5-1/2	066642	27.82 706.6	22.00 558.8	2.00 50.8	5.63 143.0	8.05 204.5	4.03 102.4	0.69 4.8	0.50 12.7	530
140	5-15/16 thru 6	066643	28.75 730.3	22.00 558.8	2.00 50.8	6.13 155.7	9.13 231.9	4.57 116.1	0.75 19.1	0.50 12.7	536

FEATURES/BENEFITS

SNX™
HOUSINGS OF CAST IRON GG25



Stronger feet for extra load capacity

FEATURES/BENEFITS**SNX**

Oil equalization passage: allows oil flow from side to side

Standard SNX housings are suitable for either oil or grease lubrication

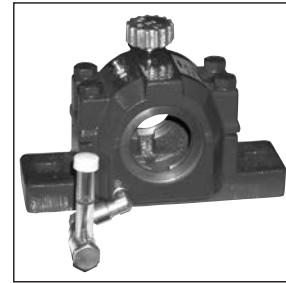
Seal options: Felt, V-Ring, LD, TS and TT Seals in the 200 and 500 Series



Extra capacity oil sump: lowers operating temperature



Oil return slots: prevent leaking



Oil sight gauge & breather kit available



Offset dowels and match mark: allows matching of cap to corresponding base

DODGE® SDX™
HOUSINGS OF GREY CAST IRON GG25 (SDX) OR
SPHEROIDAL DUCTILE IRON GGG40 (SDXD)

SD housing with extra capability

- Size Range 3040 to 3068, 3134 to 3164
- Available in cast iron (GG) and spheroidal ductile iron (GGG40) from stock
- Accepts 23000K & 23100K spherical bearings
- Drilled and tapped grease hole with grease fitting
- TS labyrinth seal standard
- TT Triple-Tect seal optional; housing machined to allow direct greasing of seal and ability to purge seal
- Pre-drilled with grease hole & fitting over seal groove

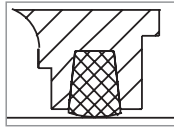


FEATURES/BENEFITS

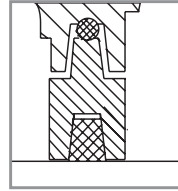
SEALS

ONE HOUSING – MANY SEALS

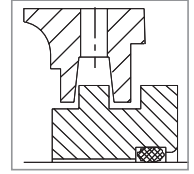
FS
Felt Seal: Standard
SNX 209 - SNX 232
SNX 3028 - SNX 3038



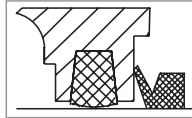
SK FS
Felt strip
SNX 509 - SNX 532
SNX 308/608 - SNX 320/620



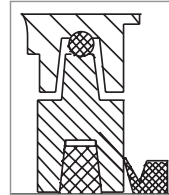
TS - SNX
Labyrinth seal
SNX 209/509 -
SNX 232/532



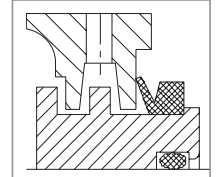
VR
Felt strip with V-ring seal
SNX 209 - SNX 232
SNX 3024 - SNX 3038



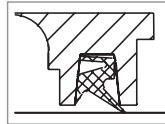
SK VR
Felt strip with V-ring seal
SNX 509 - SNX 532
SNX 308/608 - SNX 320/620



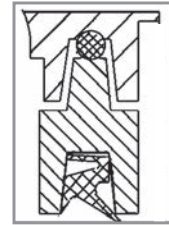
TT - SNX
Triple-Tect
SNX 209/509 -
SNX 232/532



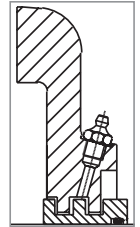
LD
Split two lip radial seal
SNX 209 - SNX 224
SNX 3028 - SNX 3032



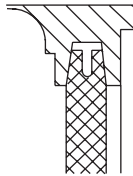
SK LD
Split two lip radial seal
SNX 509 - SNX 532
SNX 608 - SNX 620



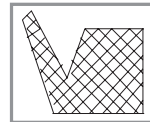
TS - SDX
Labyrinth Seal: Standard
SDX 3040 - SDX 3068
SDX 3134 - SDX 3164
SDXD 3040 - SDXD 3068
SDXD 3134 - SDXD 3164



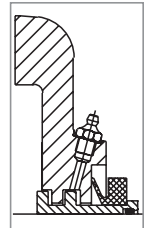
DK
End cover
SNX 209/509 - SNX 232/532
SNX 308/608 - SNX 320/620
SNX 3028 - SNX 3038



Single-lip Radial Seals
available individually



TT - SDX
Triple-Tect / Taconite Seal
SDX 3040 - SDX 3068
SDX 3134 - SDX 3164
SDXD 3040 - SDXD 3068
SDXD 3134 - SDXD 3164



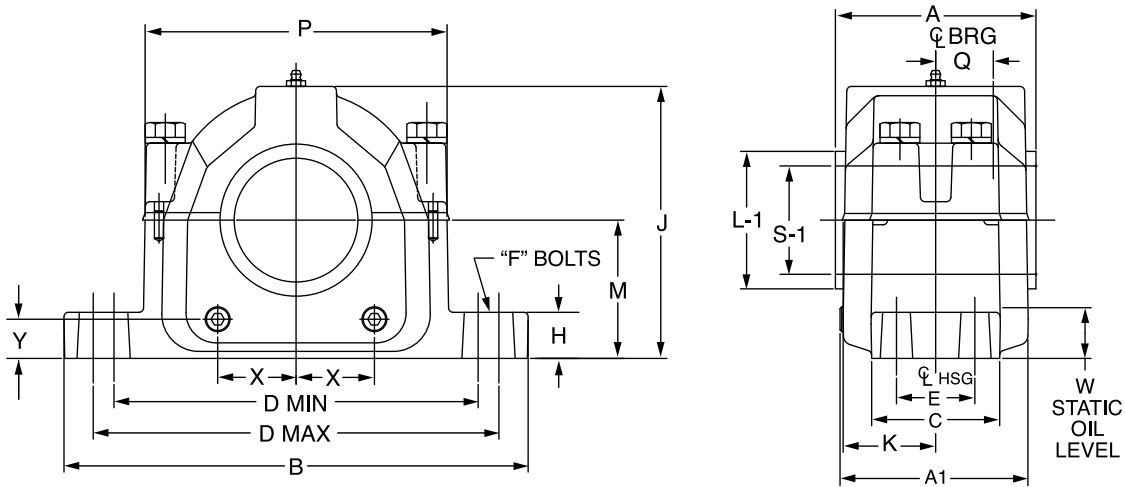
Seal Operating Limits

	FS	LD	VR & TT	TS	DK
Max. circumferential speeds	4 m/s	8 m/s	4 m/s	brg. RPM limit	-
Max temperature	80-90°C	100-110°C	100-110°C	100-110°C	100-110°C

DIMENSIONS

SNX 200 - TS/TT

Plummer Blocks for bearings 22200, 23200



Housing GC*		Labyrinth seal		Triple-Tect seal	
Description	Part No.	Description	Part No.	Description	Part No.
SNX 209 - TS/TT	747199	TS 209	747234	TT 209	747217
SNX 210 - TS/TT	747201	TS 210	747235	TT 210	747218
SNX 211 - TS/TT	747202	TS 211	747236	TT 211	747219
SNX 212 - TS/TT	747203	TS 212	747237	TT 212	747220
SNX 213 - TS/TT	747204	TS 213	747238	TT 213	747221
SNX 215 - TS/TT	747205	TS 215	747239	TT 215	747222
SNX 216 - TS/TT	747206	TS 216	747240	TT 216	747223
SNX 217 - TS/TT	747207	TS 217	747241	TT 217	747224
SNX 218 - TS/TT	747208	TS 218	747242	TT 218	747225
SNX 219 - TS/TT	747209	TS 219	747243	TT 219	747226
SNX 220 - TS/TT	747210	TS 220	747244	TT 220	747227
SNX 222 - TS/TT	747211	TS 222	747245	TT 222	747228
SNX 224 - TS/TT	747212	TS 224	747246	TT 224	747229
SNX 226 - TS/TT	747213	TS 226	747247	TT 226	747230
SNX 228 - TS/TT	747214	TS 228	747248	TT 228	747231
SNX 230 - TS/TT	747215	TS 230	747249	TT 230	747232
SNX 232 - TS/TT	747216	TS 232	747250	TT 232	747233

* Housings are for use with TS or TT seals only

DIMENSIONS

SNX 200 - TS/TT

Plummer Blocks for bearings 22200, 23200

Dimensions in mm				
Description	kg	A (WITH SEALS)*		L-1
		TS	TT	
SNX 209 TS/TT	4,3	91	91	59
SNX 210 TS/TT	5,1	95	95	64
SNX 211 TS/TT	7,1	100	100	68
SNX 212 TS/TT	9,5	112	112	75
SNX 213 TS/TT	9,7	110	110	79
SNX 215 TS/TT	11,3	117	117	88
SNX 216 TS/TT	12,7	123	123	93
SNX 217 TS/TT	15,7	125	125	97
SNX 218 TS/TT	16,7	144	144	102
SNX 219 TS/TT	27,0	150	150	113
SNX 220 TS/TT	27,8	160	160	113
SNX 222 TS/TT	35,8	168	168	131
SNX 224 TS/TT	41,1	185	185	131
SNX 226 TS/TT	55,2	191	191	140
SNX 228 TS/TT	69,0	203	203	160
SNX 230 TS/TT	77,3	220	220	400
SNX 232 TS/TT	99,9	235	235	400

All other dimensions on page B7- 15

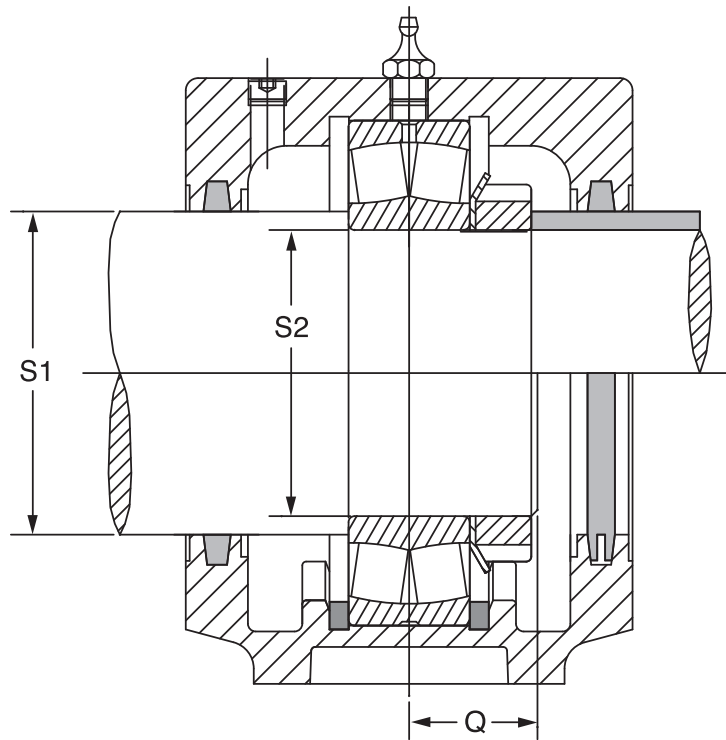
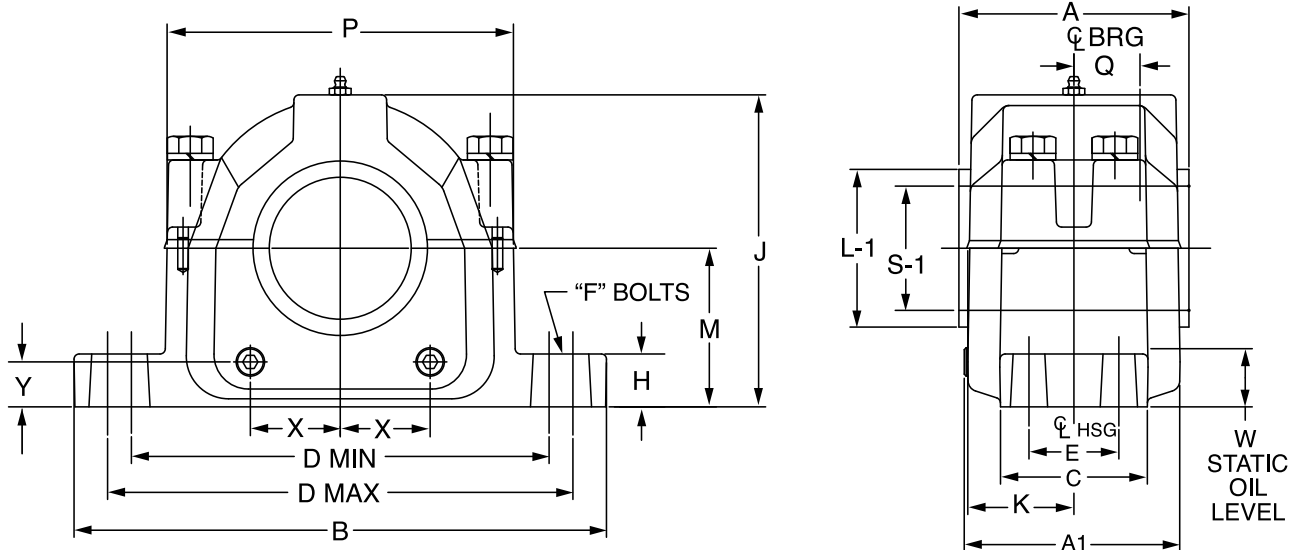
Housings are for use with TS or TT seals only

FEATURES/BENEFITS PAGE B16-23	NOMENCLATURE PAGE B16-6	SELECTION PAGE B16-26	DIMENSIONS PAGE B16-26
----------------------------------	----------------------------	--------------------------	---------------------------

DIMENSIONS

SNX 200 - LD/FS/DK

Plummer Blocks for bearings 22200, 23200



FEATURES/BENEFITS
PAGE B16-23

NOMENCLATURE
PAGE B16-6

SELECTION
PAGE B16-26

DIMENSIONS
PAGE B16-26



DIMENSIONS

SNX 200 - LD/FS/DK

Dimensions in mm

Description	kg	Shaft Size		A1	B	C	D		F Bolt Dia Bolzen	H	J	K	M	P	Q	W Static Oil Level	X	Y	A (With Seals)					L-1
		S-1	S-2				Min	Max											LD	Felt FS	End Cover DK	TS	VR	
SNX 209	4,3	55	45	94	210	60	159	178	M12	25	112	45	60	124	11.5	24,0	29	20	91	91	91	99	100	59
SNX 210	5,1	60	50	99	210	60	165	178	M12	23	113	48	60	130	11.5	29,0	31	17	95	95	95	103	105	64
SNX 211	7,1	65	55	104	244	70	187	210	M16	26	133	50	70	147	12.5	28,5	33	22	100	100	100	108	110	68
SNX 212	9,5	70	60	116	270	70	197	230	M16	29	139	56	70	156	14.0	32,0	38	20	112	112	112	119	125	75
SNX 213	9,7	75	65	113	279	80	206	241	M16	30	155	55	80	165	15.5	27,0	41	25	110	110	110	121	123	79
SNX 215	11,3	85	75	121	283	80	219	245	M16	29	161	59	80	179	15.5	38,0	44	21	117	117	117	126	128	88
SNX 216	12,7	90	80	127	320	90	245	279	M20	33	178	62	95	202	16.5	34,5	49	31	123	123	123	134	136	93
SNX 217	15,7	95	85	132	320	90	251	279	M20	32	187	63	95	208	18.0	35,5	53	28	125	125	125	137	139	97
SNX 218	16,7	100	90	151	346	98	260	299	M20	35	195	72	100	220	20.0	47,0	57	28	144	144	144	155	157	102
SNX 219	27,0	110	95	156	360	98	276	314	M20	35	214	75	112	229	21.5	39,5	60	35	150	150	150	161	165	113
SNX 220	27,8	115	100	164	390	110	295	333	M24	40	220	80	112	248	23.0	45,0	67	30	160	160	160	169	174	113
SNX 222	35,8	125	110	174	419	121	324	364	M24	45	239	84	125	269	26.5	53,5	73	34	168	168	168	175	180	131
SNX 224	41,1	135	120	191	419	120	337	368	M24	45	267	93	140	286	29.0	57,0	81	42	185	185	185	195	199	131
SNX 226	55,2	145	130	197	445	130	374	387	M24	50	290	95	150	315	32.0	49,0	84	39	191	191	191	200	204	140
SNX 228	69,0	155	140	210	500	150	400	420	M30	50	298	102	150	337	34.0	51,5	92	35	203	203	203	211	218	160
SNX 230	77,3	165	150	226	530	160	443	457	M30	60	317	110	160	364	36.5	53,0	91	34	220	220	220	230	237	400
SNX 232	99,9	175	160	241	550	160	457	483	M30	60	338	118	170	379	40.0	53,2	102	34	235	235	235	243	250	400

FEATURES/BENEFITS PAGE B16-23	NOMENCLATURE PAGE B16-6	SELECTION PAGE B16-26	DIMENSIONS PAGE B16-26
----------------------------------	----------------------------	--------------------------	---------------------------



SELECTION

SNX 200 - LD/FS/DK

Plummer Blocks

Sleeve Bearings

SLEEVOIL

Take-Up Frames

Engineering

Part Number Index

Keyword Index

Description	Housing GG		LD Seal		FS Seal		VR Seal		DK End Cover	
	Description	Part No.	Description	Part No.	Description	Part No.	Description	Part No.	Description	Part No.
SNX 209	SNX 209/509	747025	LD 55	725357	6.5X8X200	713600	VS0055	738145	DK 55	709137
SNX 210	SNX 210/510/308/608	747026	LD 60	725358	6.5X8X230	713616	VS0060	738146	DK 60	709140
SNX 211	SNX 211/511/309/609	747027	LD 65	725359	6.5X8X230	713616	VS0065	738147	DK 65	709143
SNX 212	SNX 212/512/310/610	747028	LD 70	725360	7.5X9X260	713633	VS0070	738148	DK 70	709146
SNX 213	SNX 213/513/311/611	747029	LD 75	725361	7.5X9X260	713633	VS0075	738149	DK 75	709152
SNX 215	SNX 215/515/312/612	747030	LD 85	725363	7.5X9X155	713571	VS0085	738151	DK 85	709162
SNX 216	SNX 216/516/313/613	747031	LD 90	725364	8.5X10X165	713579	VS0090	738152	DK 90	709166
SNX 217	SNX 217/517/314	747032	LD 95	725366	8.5X10X175	713586	VS0095	738154	DK 90	709166
SNX 218	SNX 218/518/315/615	747033	LD 100	725341	10X12X185	713588	VS0100	738155	DK 100	708959
SNX 219	SNX 219/519/316/616	747034	LD 110	725342	10X12X200	713596	VS0110	738157	DK 110	708966
SNX 220	SNX 220/520/317/617	747035	LD 115	725343	10X12X210	713603	VS0115	738158	DK 115	708970
SNX 222	SNX 222/522/319/619	747036	LD 125	725344	10X12X230	713613	VS0125	738161	DK 125	708976
SNX 224	SNX 224/524/320/620	747037	LD 135	725345	10X12X245	713622	VS0135	738162	DK 135	708983
SNX 226	SNX 226/526	747038			10X12X265	713634	VS0145	738164	DK 145	740381
SNX 228	SNX 228/528	747039			10X12X280	713641	VS0155	738166	DK 155	740382
SNX 230	SNX 230/530	747040			10X12X300	713647	VS0165	738168	DK 165	740383
SNX 232	SNX 232/532	747041			10X12X300	713647	VS0175	738170	DK 175	740384



DIMENSIONS

SNX 200 - LD/FS/DK

Housing GG	Spherical Roller Bearing		Fixing Rings			Spherical Roller Bearing	
Description	Description	Part No.	Description	Qty	Part No.	Description	Part No
SNX 209	22209E1.C3	421260	SR 85x3.5	2	747105		
SNX 210	22210E1.C3	421261	SR 90x9	2	747108		
SNX 211	22211E1.C3	421262	SR 100x9.5	2	747111		
SNX 212	22212E1.C3	421263	SR 110x10	2	747115		
SNX 213	22213E1.C3	421264	SR 120x10	2	747118		
SNX 215	22215E1.C3	421265	SR 130x12.5	2	747121		
SNX 216	22216E1.C3	421266	SR 140x12.5	2	747123		
SNX 217	22217E1.C3	421267	SR 150x12.5	2	747125		
SNX 218	22218E1.C3	421268	SR 160x12.5	2	747128	23218E1.C3	421396
SNX 219	22219E1.C3	422996	SR 170x12.5	2	747130		
SNX 220	22220E1.C3	421269	SR 180x12	2	747132	23220E.C3	703943
SNX 222	22222E1.C3	421270	SR 200x13.5	2	747137	23222.C3	740623
SNX 224	22224E1.C3	421271	SR 215x14	2	747141	23224.C3	703967
SNX 226	22226E1.C3	421272	SR 230x13	2	747143	23226.C3	703976
SNX 228	22228E1.C3	421273	SR 250x15	2	747146	23228.C3	741031
SNX 230	22230E1.C3	421274	SR 270x16.5	2	747149	23230.C3	703990
SNX 232	22232E1.C3	421275	SR 290x17	2	747152	23232.C3	741550

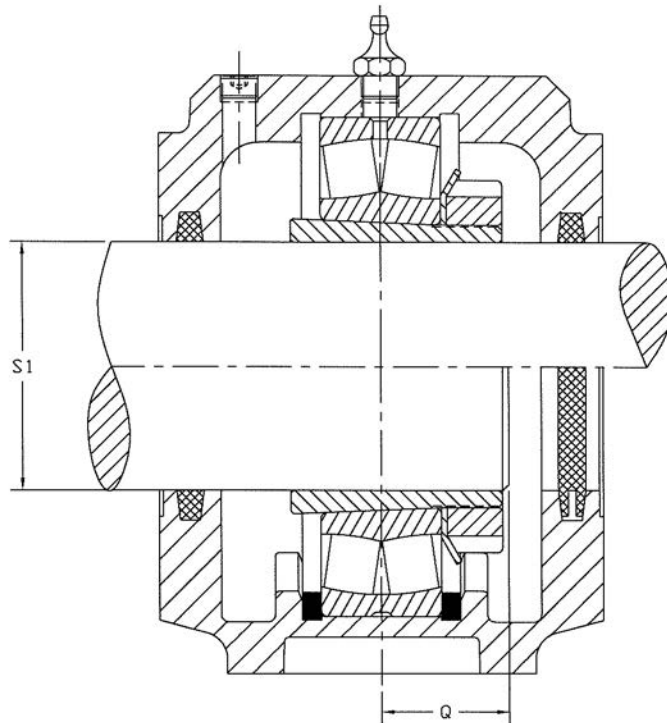
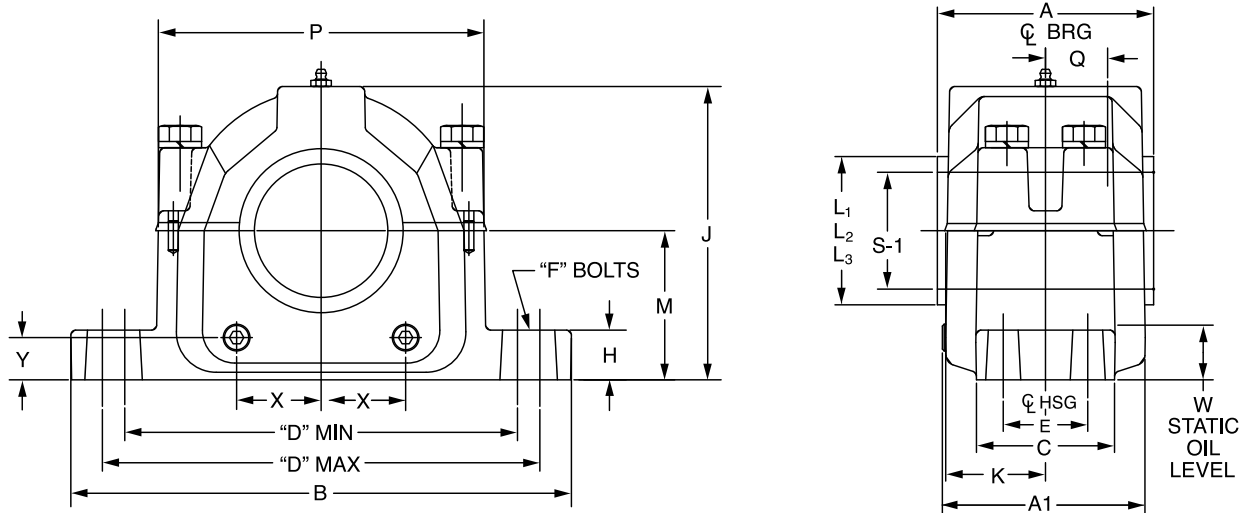
Housing GG	Fixing Rings			Locknut		Lockwasher		Sight Glasses	
Description	Description	Qty	Part No.	Description	Part No	Description	Part No	Description	Part No.
SNX 209				KM 9	046285	MB 9	046304	SG 209	740452
SNX 210				KM 10	046286	MB 10	046305	SG 210	740452
SNX 211				KM 11	046287	MB 11	046306	SG 211	740452
SNX 212				KM 12	046487	MB 12	046489	SG 212	740452
SNX 213				KM 13	046288	MB 13	046307	SG 213	740452
SNX 215				KM 15	046289	MB 15	046308	SG 215	740452
SNX 216				KM 16	046290	MB 16	046309	SG 216	740452
SNX 217				KM 17	046291	MB 17	046310	SG 217	740453
SNX 218	SR 160x6.25	2	747189	KM 18	046292	MB 18	046311	SG 218	740453
SNX 219				KM 19	046488	MB 19	046490	SG 219	740453
SNX 220	SR 180x4.85	2	747190	KM 20	046293	MB 20	046312	SG 220	740453
SNX 222	SR 200x5.1	2	747191	KM 22	046294	MB 22	046313	SG 222	740453
SNX 224	SR 215x5	2	712225	KM 24	046295	MB 24	046314	SG 224	740453
SNX 226	SR 230x5	2	747192	KM 26	046296	MB 26	046315	SG 226	740453
SNX 228	SR 250x5	2	747193	KM 28	046297	MB 28	046316	SG 228	740453
SNX 230	SR 270x5	2	747194	KM 30	046298	MB 30	046317	SG 230	740453
SNX 232	SR 290x5	2	747195	KM 32	046299	MB 32	046318	SG 232	740453

FEATURES/BENEFITS PAGE B16-23	NOMENCLATURE PAGE B16-6	SELECTION PAGE B16-26	DIMENSIONS PAGE B16-26
----------------------------------	----------------------------	--------------------------	---------------------------

DIMENSIONS

SNX 500

Plummer Blocks for bearings 1200K, 2200K, 22200K, 23200K



FEATURES/BENEFITS
PAGE B16-23

NOMENCLATURE
PAGE B16-6

SELECTION
PAGE B16-26

DIMENSIONS
PAGE B16-26



DIMENSIONS

SNX 500

Dimensions in mm

Description	Wt. kg	S-1 Shaft Size	A ₁	B	C	D		F Bolt Dia	H	J	K	M	P	Q	W Static Oil Level	X	Y	A (With Seals)						L ₁ VR	L ₂ TS	L ₃ TT
						Min	Max											LD	FELT	VR	TS	TT	EC			
SNX 509	4,3	40	94	210	60	159	178	M12	25	112	45	60	124	23	24,0	29	20	91	91	100	99	107	91	50	55	65
SNX 510	5,1	45	99	210	60	165	178	M12	23	113	48	60	130	24	29,0	31	17	95	95	105	103	111	95	55	63	70
SNX 511	7,1	50	104	244	70	187	210	M16	26	133	50	70	147	25	28,5	33	22	100	100	110	108	116	100	60	68	75
SNX 512	9,5	55	116	270	70	197	230	M16	29	139	56	70	156	27	32,0	38	20	112	112	121	119	127	112	65	75	82
SNX 513	9,7	60	113	279	80	206	241	M16	30	155	55	80	165	30	27,0	41	25	110	110	119	121	125	110	70	81	92
SNX 515	11,3	65	121	283	80	219	245	M16	29	161	59	80	179	31	38,0	44	21	117	117	124	126	130	117	75	86	97
SNX 516	12,7	70	127	320	90	245	279	M20	33	178	62	95	202	34	34,5	49	31	123	123	136	134	143	123	82	94	102
SNX 517	15,7	75	132	320	90	251	279	M20	32	187	63	95	208	36	35,5	53	28	125	125	139	137	145	125	87	100	107
SNX 518	16,7	80	151	346	98	260	299	M20	35	195	72	100	220	38	47,0	57	28	144	144	157	155	163	144	92	105	112
SNX 519	27,0	85	156	360	98	276	314	M20	35	214	75	112	229	41	39,5	60	35	150	150	162	161	169	150	97	110	124
SNX 520	27,8	90	164	390	110	295	333	M24	40	220	80	112	248	43	45,0	67	30	160	160	171	169	177	160	102	127	124
SNX 522	35,8	100	174	419	120	324	364	M24	45	238	84	125	269	48	53,5	73	34	168	168	177	175	183	168	112	139	144
SNX 524	41,1	110	191	419	120	337	368	M24	45	267	93	140	286	51	57,0	81	42	185	185	199	195	202	185	124	149	154
SNX 526	55,2	115	197	445	130	374	387	M24	50	290	95	150	315	55	49,0	84	39	191	191	204	200	211	191	129	158	154
SNX 528	69,0	125	210	500	150	400	420	M30	50	298	102	150	337	58	51,5	92	35	203	203	215	211	222	203	139	160	164
SNX 530	77,3	135	226	530	160	443	457	M30	60	317	110	160	364	63	53,0	91	34	220	220	233	230	239	220	149	180	176
SNX 532	99,9	140	241	550	160	457	483	M30	60	338	118	170	379	68	53,2	102	34	235	235	247	243	253	235	154	188	186

Description	Housing GG		SK LD Seal		SK FS Seal	
	Description	Part No.	Description	Part No.	Description	Part No.
SNX 509	SNX 209/509	747025	SK 509 LD 40	496446	SK 509 FS 40	496464
SNX 510	SNX 210/510/308/608	747026	SK 510 LD 45	496447	SK 510 FS 45	496465
SNX 511	SNX 211/511/309/609	747027	SK 511 LD 50	496448	SK 511 FS 50	496466
SNX 512	SNX 212/512/310/610	747028	SK 512 LD 55	496449	SK 512 FS 55	496467
SNX 513	SNX 213/513/311/611	747029	SK 513 LD 60	496450	SK 513 FS 60	496468
SNX 515	SNX 215/515/312/612	747030	SK 515 LD 65	496451	SK 515 FS 65	496469
SNX 516	SNX 216/516/313/613	747031	SK 516 LD 70	496452	SK 516 FS 70	496470
SNX 517	SNX 217/517/314	747032	SK 517 LD 75	496453	SK 517 FS 75	496471
SNX 518	SNX 218/518/315/615	747033	SK 518 LD 80	496454	SK 518 FS 80	496472
SNX 519	SNX 219/519/316/616	747034	SK 519 LD 85	496455	SK 519 FS 85	496473
SNX 520	SNX 220/520/317/617	747035	SK 520 LD 90	496456	SK 520 FS 90	496474
SNX 522	SNX 222/522/319/619	747036	SK 522 LD 100	496457	SK 522 FS 100	496475
SNX 524	SNX 224/524/320/620	747037	SK 524 LD 110	496458	SK 524 FS 110	496476
SNX 526	SNX 226/526	747038	SK 526 LD 115	496459	SK 526 FS 115	496477
SNX 528	SNX 228/528	747039	SK 528 LD 125	496460	SK 528 FS 125	496478
SNX 530	SNX 230/530	747040	SK 530 LD 135	496461	SK 530 FS 135	496479
SNX 532	SNX 232/532	747041	SK 532 LD 140	496462	SK 532 FS 140	496480

FEATURES/BENEFITS PAGE B16-23	NOMENCLATURE PAGE B16-6	SELECTION PAGE B16-26	DIMENSIONS PAGE B16-26
----------------------------------	----------------------------	--------------------------	---------------------------

DIMENSIONS

SNX 500

Description	SK VR Seal		Labyrinth Seal		Triple-Tect Seal		EC End Cover	
	Description	Part No.	Description	Part No.	Description	Part No.	Description	Part No.
SNX 509	SK 509 VR 40	496482	TS 509	747328	TT 509	747384	DK 55	709137
SNX 510	SK 510 VR 45	496483	TS 510	747329	TT 510	747385	DK 60	709140
SNX 511	SK 511 VR 50	496484	TS 511	747330	TT 511	747386	DK 65	709143
SNX 512	SK 512 VR 55	496485	TS 512	747331	TT 512	747387	DK 70	709146
SNX 513	SK 513 VR 60	496486	TS 513	747332	TT 513	747388	DK 75	709152
SNX 515	SK 515 VR 65	496487	TS 515	747333	TT 515	747389	DK 85	709162
SNX 516	SK 516 VR 70	496488	TS 516	747334	TT 516	747390	DK 90	709166
SNX 517	SK 517 VR 75	496489	TS 517	747335	TT 517	747391	DK 90	709166
SNX 518	SK 518 VR 80	496490	TS 518	747336	TT 518	747392	DK 100	708959
SNX 519	SK 519 VR 85	496491	TS 519	747337	TT 519	747393	DK 110	708966
SNX 520	SK 520 VR 90	496492	TS 520	747338	TT 520	747394	DK 115	708970
SNX 522	SK 522 VR 100	496493	TS 522	747339	TT 522	747395	DK 125	708976
SNX 524	SK 524 VR 110	496494	TS 524	747340	TT 524	747396	DK 135	708983
SNX 526	SK 526 VR 115	496495	TS 526	747341	TT 526	747397	DK 145	740381
SNX 528	SK 528 VR 125	496496	TS 528	747342	TT 528	747398	DK 155	740382
SNX 530	SK 530 VR 135	496497	TS 530	747343	TT 530	747399	DK 165	740383
SNX 532	SK 532 VR 140	496498	TS 532	747344	TT 532	747400	DK 175	740384

Description	Spherical Roller Bearing		Fixing Rings			Adapters		Spherical Roller Bearing	
	Description	Part No.	Description	Quantity	Part No.	Description	Part No.	Description	Part No.
SNX 509	22209EK1.C3	422134	SR 85x3.5	2	747105	H 309	046331		
SNX 510	22210EK1.C3	422137	SR 90x9	2	747108	H 310	046332		
SNX 511	22211EK1.C3	422123	SR 100x9.5	2	747111	H 311	046219		
SNX 512	22212EK1.C3	422978	SR 110x10	2	747115	H 312	046333		
SNX 513	22213EK1.C3	422124	SR 120x10	2	747118	H 313	046221		
SNX 515	22215EK1.C3	422001	SR 130x12.5	2	747121	H 315	046222		
SNX 516	22216EK1.C3	422003	SR 140x12.5	2	747123	H 316	046223		
SNX 517	22217EK1.C3	422005	SR 150x12.5	2	747125	H 317	046224		
SNX 518	22218EK1.C3	422007	SR 160x12.5	2	747128	H 318	046225	23218K.C3	739329
SNX 519	22219EK1.C3	422979	SR 170x12.5	2	747130	H 319	719499		
SNX 520	22220EK1.C3	422009	SR 180x12	2	747132	H 320	046226	23220K.C3	703941
SNX 522	22222EK1.C3	422011	SR 200x13.5	2	747137	H 322	046227	23222K.C3	703951
SNX 524	22224EK1.C3	422013	SR 215x14	2	747141	H 3124	046228	23224EASK.M.C3	703967
SNX 526	22226EK1.C3	422015	SR 230x13	2	747143	H 3126	046229	23226K.C3	703971
SNX 528	22228EK1.C3	422017	SR 250x15	2	747146	H 3128	046230	23228K.C3	703982
SNX 530	22230EK1.C3	422019	SR 270x16.5	2	747149	H 3130	046231	23230K.C3	703989
SNX 532	22232EK1.C3	422021	SR 290x17	2	747152	H 3132	046232	23232K.C3	703996

FEATURES/BENEFITS PAGE B16-23	NOMENCLATURE PAGE B16-6	SELECTION PAGE B16-26	DIMENSIONS PAGE B16-26
----------------------------------	----------------------------	--------------------------	---------------------------



DIMENSIONS

SNX 500

Description	Fixing Rings			Adapters		Sight Glasses	
	Description	Quantity	Part No.	Description	Part No.	Description	Part No.
SNX 509						SG 509	740452
SNX 510						SG 510	740452
SNX 511						SG 511	740452
SNX 512						SG 512	740452
SNX 513						SG 513	740452
SNX 515						SG 515	740452
SNX 516						SG 516	740452
SNX 517						SG 517	740453
SNX 518	SR 160x6.25	2	747189	H 2318	719400	SG 518	740453
SNX 519				H 2319	046719	SG 519	740453
SNX 520	SR 180x4.85	2	747190	H 2320	046720	SG 520	740453
SNX 522	SR 200x5.1	2	747191	H 2322	046721	SG 522	740453
SNX 524	SR 215x5	2	712225	H 2324	046722	SG 524	740453
SNX 526	SR 230x5	2	747192	H 2326	046723	SG 526	740453
SNX 528	SR 250x5	2	747193	H 2328	719406	SG 528	740453
SNX 530	SR 270x5	2	747194	H 2330	053201	SG 530	740453
SNX 532	SR 290x5	2	747195	H 2332	719408	SG 532	740453

Description	Self-aligning Ball Bearings		Fixing Rings			Adapters	
	Description	Part No.	Description	Quantity	Part No.	Description	Part No.
SNX 509	1209K.C3	052637	SR 85x5.5	2	747177	H 209	719372
SNX 510	1210K.C3	052638	SR 90x10.5	2	747178	H 210	719373
SNX 511	1211K.C3	052639	SR 100x12	2	747179	H 211	719374
SNX 512	1212K.C3	739145	SR 110x13	2	747180	H 212	719375
SNX 513	1213K.C3	052640	SR 120x14	2	747181	H 213	719376
SNX 515	1215K.C3	052641	SR 130x15.5	2	747182	H 215	719378
SNX 516	1216K.C3	052642	SR 140x16	2	747183	H 216	719379
SNX 517	1217K.C3	052643	SR 150x16.5	2	747184	H 217	719380
SNX 518	1218K.C3	052570	SR 160x17.5	2	747185	H 218	719381
SNX 519	1219K.C3	701659	SR 170x18	2	747186	H 219	719382
SNX 520	1220K.C3	052644	SR 180x18	2	747187	H 220	719383
SNX 522	1222K.C3	051841	SR 200x21	2	747188	H 222	719385

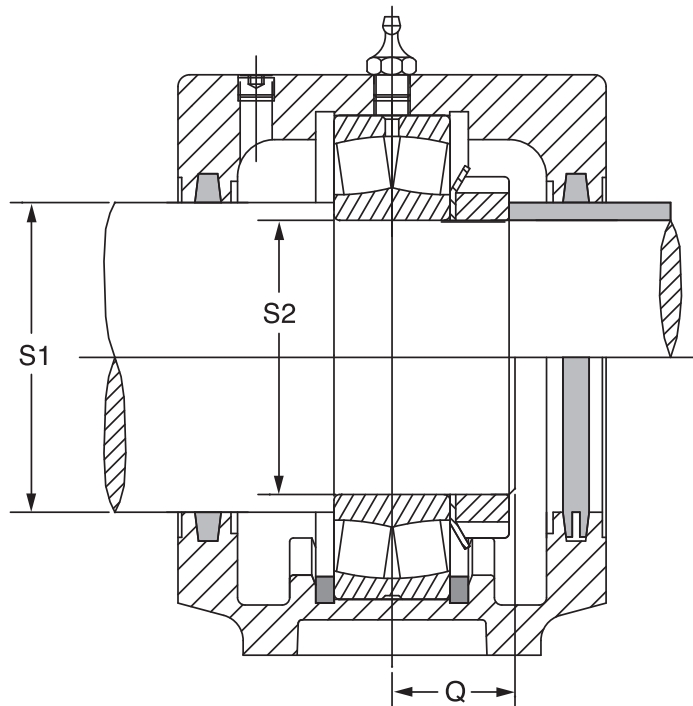
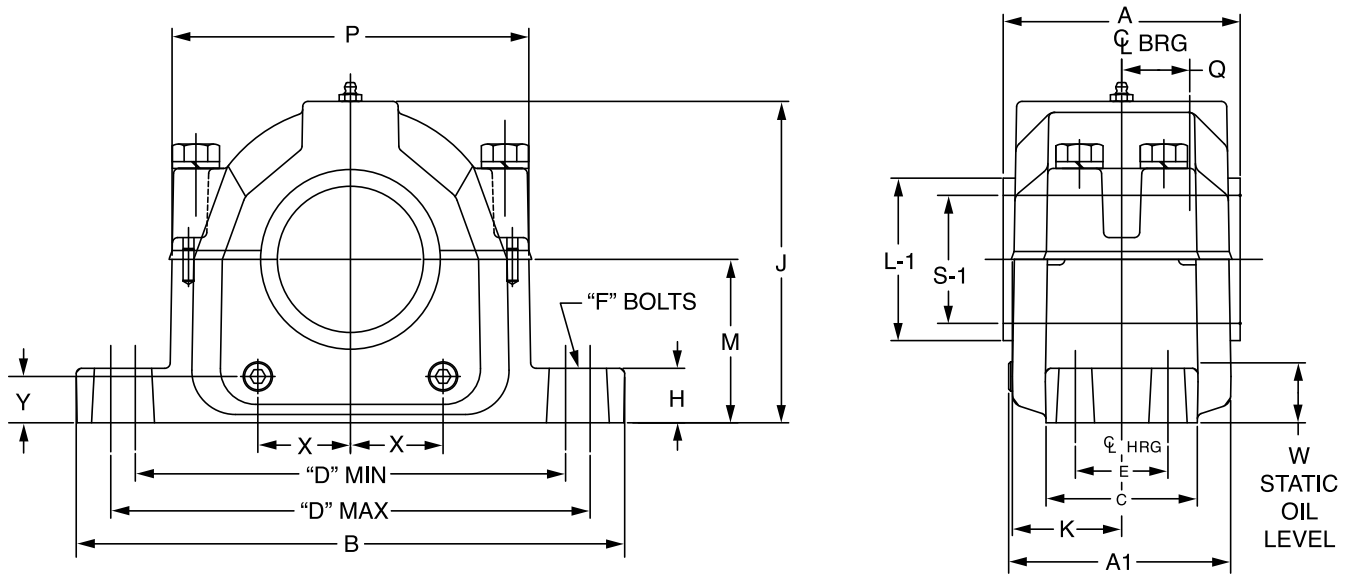
Description	Self-aligning Ball Bearings		Fixing Rings			Adapters	
	Description	Part No.	Description	Quantity	Part No.	Description	Part No.
SNX 509	2209K.C3	739150	SR 85x3.5	2	747105	H 309	046331
SNX 510	2210K.C3	702830	SR 90x9	2	747108	H 310	046332
SNX 511	2211K.C3	702844	SR 100x9.5	2	747111	H 311	046219
SNX 512	2212K.C3	702857	SR 110x10	2	747115	H 312	046333
SNX 513	2213K.C3	702867	SR 120x10	2	747118	H 313	046221
SNX 515	2215K.C3	739153	SR 130x12.5	2	747121	H 315	046222
SNX 516	2216K.C3	702883	SR 140x12.5	2	747123	H 316	046223
SNX 517	2217K.C3	702893	SR 150x12.5	2	747125	H 317	046224
SNX 518	2218K.C3	739154	SR 160x12.5	2	747128	H 318	046225
SNX 519	2219K.M.C3	702904	SR 170x12.5	2	747130	H 319	719499
SNX 520	2220K.M.C3	702907	SR 180x12	2	747132	H 320	046226
SNX 522	2222K.C3	421399	SR 200x13.5	2	747137	H 322	046227

FEATURES/BENEFITS PAGE B16-23	NOMENCLATURE PAGE B16-6	SELECTION PAGE B16-26	DIMENSIONS PAGE B16-26
----------------------------------	----------------------------	--------------------------	---------------------------

DIMENSIONS

SNX 300

Plummer Blocks for bearings 22300



FEATURES/BENEFITS
PAGE B16-23

NOMENCLATURE
PAGE B16-6

SELECTION
PAGE B16-26

DIMENSIONS
PAGE B16-26



DIMENSIONS

SNX 300

Dimensions in mm

Description	kg	S-1	S-2	A1	B	C	D		F Bolt Dia	H	J	K	M	P	Q ★	W Static Oil Level	X	Y	A (With Seals)		L1
		Shaft Size					Min	Max											Felt FS	End Cover DK	
SNX 308	5.1	50	40	99.1	210	59.5	165.1	177.8	M12	22.6	113	47.6	59.9	130.2	18	26.5	30.5	17	95.3	95.3	64.3
SNX 309	7.1	55	45	103.8	244.4	69.9	187.3	209.6	M16	26.2	133.4	50	69.9	146.8	18	32.5	33	22.1	100.0	100.0	68.1
SNX 310	9.5	60	50	115.8	269.9	69.9	196.9	229.6	M16	29.4	138.9	56	69.9	155.6	20	28.6	38	19.5	112.0	112.0	75.2
SNX 311	9.7	65	55	113.3	279.4	80	206.4	241.3	M16	30.2	154.8	54.8	79.9	165.1	21.5	33.9	41.1	25	109.5	109.5	79.2
SNX 312	11.3	70	60	121.2	282.6	80	219.1	244.5	M16	29.4	161.1	58.7	79.9	179.4	23	30.7	44	20.5	117.4	117.4	88.1
SNX 313	12.7	75	65	126.8	319.9	90	244.5	279.4	M20	32.9	177.6	61.5	94.9	201.6	24	41.7	49	30.5	123.0	123.0	93.2
SNX 314	15.7	80	70	131.6	319.7	90	250.8	279.4	M20	31.8	187.4	62.7	94.9	208	25.5	37.3	52.6	28	125.2	125.2	97.3
SNX 315	16.7	85	75	150.8	346.1	98.4	260.4	298.5	M20	34.9	195.3	72.2	99.9	219.9	27.5	38.8	56.8	27.5	144.4	144.4	102.1
SNX 316	27.0	90	80	156.4	360	98.4	276.2	314.3	M20	35	213.6	75	111.9	229.4	29	46.9	60	35	150.0	150.0	113.3
SNX 317	27.8	95	85	164.1	390	110.3	295.3	333.4	M24	39.7	219.9	80.2	111.9	248.4	30	42.1	66.6	30	160.3	160.3	113.3
SNX 319	35.8	110	95	173.9	419.1	120.7	323.9	364.3	M24	44.9	238.5	83.7	124.9	269.1	33.5	50.1	73	33.8	167.5	167.5	131.3
SNX 320	41.1	115	100	191.3	419.1	119.9	336.6	368.3	M24	45	267	92.5	139.9	285.8	36.5	58.1	81	42.1	184.9	184.9	131.3

Description	Housing GG		SK FS Seal		End Cover		Sight Glasses	
	Description	Part No.	Description	Part No.	Description	Part No.	Description	Part No.
SNX 308	SNX 210/510/308/608	747026	SK 308 FS 50	496400	DK 60	709140	SG 308	740452
SNX 309	SNX 211/511/309/609	747027	SK 309 FS 55	496401	DK 65	709143	SG 309	740452
SNX 310	SNX 212/512/310/610	747028	SK 310 FS 60	496402	DK 70	709146	SG 310	740452
SNX 311	SNX 213/513/311/611	747029	SK 311 FS 65	496403	DK 75	709152	SG 311	740452
SNX 312	SNX 215/515/312/612	747030	SK 312 FS 70	496404	DK 85	709162	SG 312	740452
SNX 313	SNX 216/516/313/613	747031	SK 313 FS 75	496405	DK 90	709166	SG 313	740452
SNX 314	SNX 217/517/314	747032	SK 314 FS 80	496406	DK 90	709166	SG 314	740453
SNX 315	SNX 218/518/315/615	747033	SK 315 FS 85	496407	DK 100	708959	SG 315	740453
SNX 316	SNX 219/519/316/616	747034	SK 316 FS 90	496408	DK 110	708966	SG 316	740453
SNX 317	SNX 220/520/317/617	747035	SK 317 FS 95	496409	DK 115	708970	SG 317	740453
SNX 319	SNX 222/522/319/619	747036	SK 319 FS 110	496410	DK 125	708976	SG 319	740453
SNX 320	SNX 224/524/320/620	747037	SK 320 FS 115	496411	DK 135	708983	SG 320	740453

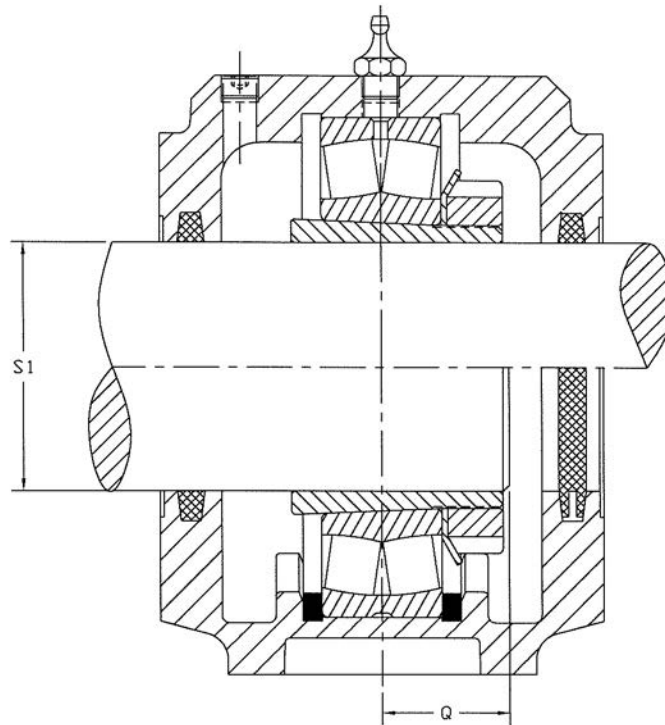
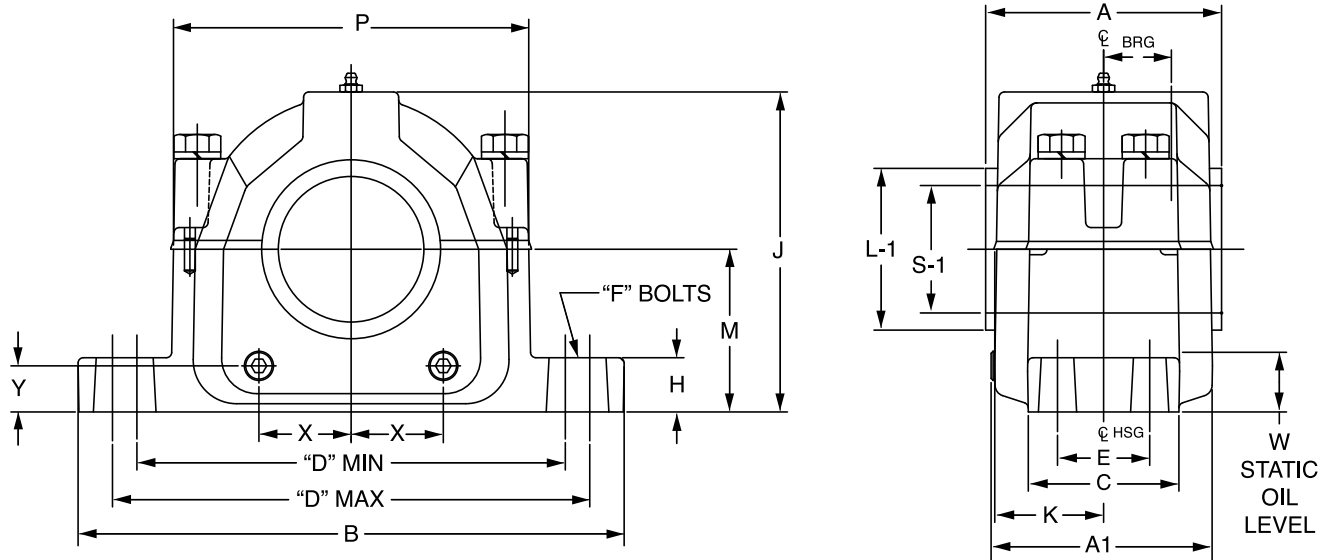
Description	Spherical Roller Bearing		Fixing Rings			Locknut		Lockwasher	
	Description	Part No.	Description	Quantity	Part No.	Description	Part No.	Description	Part No.
SNX 308	22308E1.C3	423124	SR 90X4	2	747107	KM 8	046492	MB 8	046496
SNX 309	22309E1.C3	423125	SR 100X4	2	747110	KM 9	046285	MB 9	046304
SNX 310	22310E1.C3	423143	SR 110X4	2	747114	KM 10	046286	MB 10	046305
SNX 311	22311E1.C3	423126	SR 120X4	2	747117	KM11	046287	MB11	046306
SNX 312	22312E1.C3	423127	SR 130X4	2	747120	KM 12	046487	MB 12	046489
SNX 313	22313E1.C3	423128	SR 140X5	2	747122	KM13	046288	MB13	046307
SNX 314	22314E1.C3	423129	SR 150X5	2	747124	KM 14	046238	MB 14	046239
SNX 315	22315E1.C3	423130	SR 160X5	2	747126	KM 15	046289	MB 15	046308
SNX 316	22316E1.C3	423144	SR 170X5	2	747129	KM 16	046290	MB 16	046309
SNX 317	22317E1.C3	423131	SR 180X5	2	747131	KM 17	046291	MB 17	046310
SNX 319	22319E1.C3	423145	SR 200X6.5	2	747135	KM 19	046488	MB 19	049490
SNX 320	22320E1.C3	423132	SR 215X6.5	2	747139	KM 20	046293	MB 20	046312

FEATURES/BENEFITS PAGE B16-23	NOMENCLATURE PAGE B16-6	SELECTION PAGE B16-26	DIMENSIONS PAGE B16-26
----------------------------------	----------------------------	--------------------------	---------------------------

DIMENSIONS

SNX 600

Plummer Blocks for bearings 22300K



FEATURES/BENEFITS
PAGE B16-23

NOMENCLATURE
PAGE B16-6

SELECTION
PAGE B16-26

DIMENSIONS
PAGE B16-26



DIMENSIONS

SNX 600

Dimensions in mm

Description	Kg	S-1 Shaft Size	A1	B	C	D		F Bolt Dia	H	J	K	M	P	Q	W Static Oil Level	X	Y	A (With Seals)			VR	L1 VR
						Min	Max											LD	Felt FS	End Cover		
SNX 608	5.1	35	99	210	60	165	178	M12	23	113	48	60	130	27	26.5	31	17	95	95	95	103	43
SNX 609	7.1	40	104	244	70	187	210	M16	26	133	50	70	147	29	32.5	33	22	100	100	100	110	50
SNX 610	9.5	45	116	270	70	197	230	M16	29	139	56	70	156	32	28.6	38	20	112	112	112	121	55
SNX 611	9.7	50	113	279	80	206	241	M16	30	155	55	80	165	34	33.9	41	25	110	110	110	119	60
SNX 612	11.3	55	121	283	80	219	245	M16	29	161	59	80	179	36	30.7	44	21	117	117	117	124	65
SNX 613	12.7	60	127	320	90	245	279	M20	33	178	62	95	202	35	41.7	49	31	123	123	123	132	70
SNX 615	16.7	65	151	346	98	260	299	M20	35	195	72	100	220	43	38.8	57	28	144	144	144	153	75
SNX 616	27.0	70	156	360	98	276	314	M20	35	214	75	112	229	46	46.9	60	35	150	150	150	162	82
SNX 617	27.8	75	164	390	110	295	333	M24	40	220	80	112	248	48	42.1	67	30	160	160	160	171	87
SNX 619	35.8	85	174	419	120	324	364	M24	45	238	84	125	269	53	50.1	73	34	168	168	168	177	97
SNX 620	41.1	90	191	419	120	337	368	M24	45	267	93	140	286	57	58.1	81	42	185	185	185	196	102

Description	Housing GG		SK LD Seal		SK FS Seal		SK VR Seal		End Cover	
	Description	Part No.	Description	Part No.	Description	Part No.	Description	Part No.	Description	Part No.
SNX 608	SNX 210/510/308/608	747026	SK 608 LD 35	496412	SK 608 FS 35	496423	SK 608 VR 35	496434	DK 60	709140
SNX 609	SNX 211/511/309/609	747027	SK 609 LD 40	496413	SK 609 FS 40	496424	SK 609 VR 40	496435	DK 65	709143
SNX 610	SNX 212/512/310/610	747028	SK 610 LD 45	496414	SK 610 FS 45	496425	SK 610 VR 45	496436	DK 70	709146
SNX 611	SNX 213/513/311/611	747029	SK 611 LD 50	496415	SK 611 FS 50	496426	SK 611 VR 50	496437	DK 75	709152
SNX 612	SNX 215/515/312/612	747030	SK 612 LD 55	496416	SK 612 FS 55	496427	SK 612 VR 55	496438	DK 85	709162
SNX 613	SNX 216/516/313/613	747031	SK 613 LD 60	496417	SK 613 FS 60	496428	SK 613 VR 60	496439	DK 90	709166
SNX 615	SNX 218/518/315/615	747033	SK 615 LD 65	496418	SK 615 FS 65	496429	SK 615 VR 65	496440	DK 100	708959
SNX 616	SNX 219/519/316/616	747034	SK 616 LD 70	496419	SK 616 FS 70	496430	SK 616 VR 70	496421	DK 110	708966
SNX 617	SNX 220/520/317/617	747035	SK 617 LD 75	496420	SK 617 FS 75	496431	SK 617 VR 75	496442	DK 115	708970
SNX 619	SNX 222/522/319/619	747036	SK 619 LD 85	496421	SK 619 FS 85	496432	SK 619 VR 85	496443	DK 125	708976
SNX 620	SNX 224/524/320/620	747037	SK 620 LD 90	496422	SK 620 FS 90	496433	SK 620 VR 90	496444	DK 135	708983

Description	Spherical roller bearing		Fixing rings			Adapters		Sight Glasses	
	Description	Part No.	Description	Quantity	Part No.	Description	Part No.	Description	Part No.
SNX 608	22308E1K.C3	423375	SR 90X4	2	747107	H 2308	046710	SG 608	740452
SNX 609	22309E1K.C3	423100	SR 100X4	2	747110	H 2309	046711	SG 609	740452
SNX 610	22310E1K.C3	423372	SR 110X4	2	747114	H 2310	046712	SG 610	740452
SNX 611	22311E1K.C3	423102	SR 120X4	2	747117	H 2311	046713	SG 611	740452
SNX 612	22312E1K.C3	423376	SR 130X5	2	747120	H 2312	046714	SG 612	740452
SNX 613	22313E1K.C3	423104	SR 140X5	2	747122	H 2313	046715	SG 613	740452
SNX 615	22315E1K.C3	423106	SR 160X5	2	747126	H 2315	719397	SG 615	740453
SNX 616	22316E1K.C3	423373	SR 170X5	2	747129	H 2316	046717	SG 616	740453
SNX 617	22317E1K.C3	423108	SR 180X5	2	747131	H 2317	046718	SG 617	740453
SNX 619	22319E1K.C3	423374	SR 200X6.5	2	747135	H 2319	046719	SG 619	740453
SNX 620	22320E1K.C3	423110	SR 215X6.5	2	747139	H 2320	046720	SG 620	740453

FEATURES/BENEFITS PAGE B16-23	NOMENCLATURE PAGE B16-6	SELECTION PAGE B16-26	DIMENSIONS PAGE B16-26
----------------------------------	----------------------------	--------------------------	---------------------------

DIMENSIONS

SNX 30

Plummer Blocks for bearings 23000K

Plummer Blocks

Sleeve Bearings

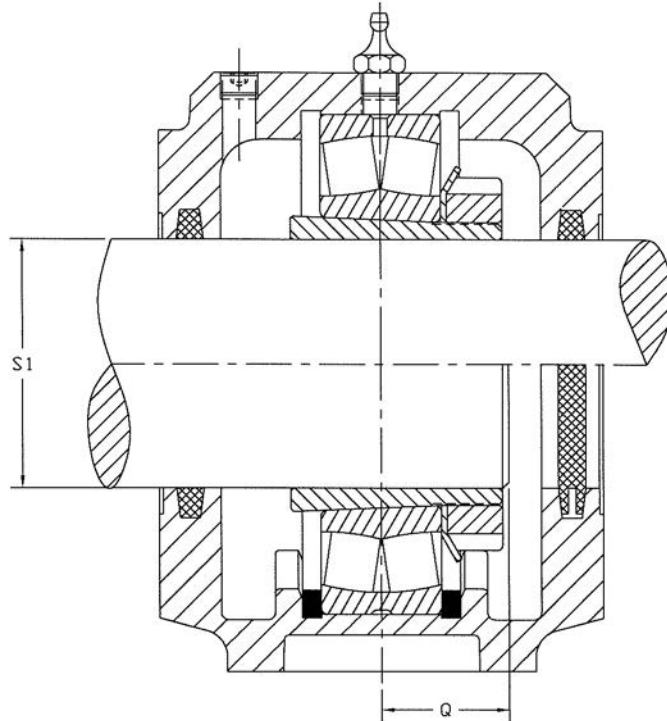
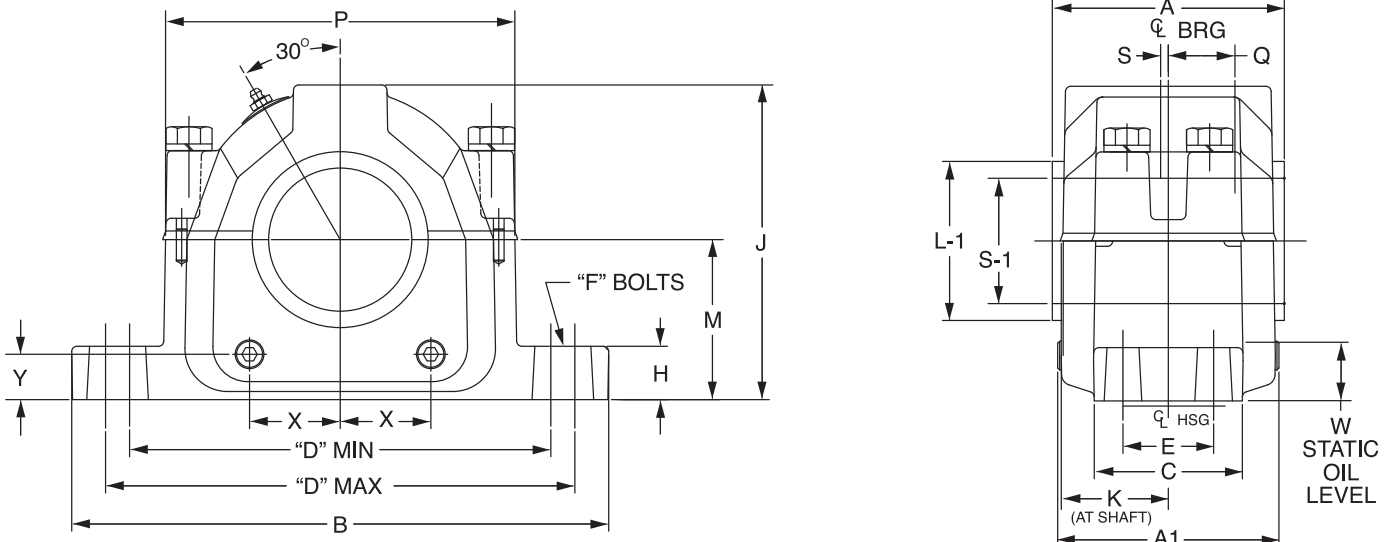
SLEEVOIL

Take-Up Frames

Engineering

Part Number Index

Keyword Index



FEATURES/BENEFITS PAGE B16-23	NOMENCLATURE PAGE B16-6	SELECTION PAGE B16-26	DIMENSIONS PAGE B16-26
----------------------------------	----------------------------	--------------------------	---------------------------



DIMENSIONS

SNX 30

Dimensions in mm

Description	kg	S-1 Shaft Welleno	A1	B	C	D		F Bolt Dia	H	J	K	M	P	Q	W Static Oil Level	X	Y	A (With Seals)				L1
						Min	Max											LD	Felt	End Cover	VR	
SNX 3024	81,0	110	167	390	110	295	333	M24	40	220	80	112	248	38.0	37	66.5	30.0	160	160	160	175	113
SNX 3026	105,0	115	174	419	121	324	364	M24	45	239	84	125	269	49.0	42	73.0	33.8	168	168	168	179	118
SNX 3028	121,0	125	191	419	120	337	368	M24	45	267	93	140	286	50.5	52	81.0	42.0	185	185	185	199	139
SNX 3030	161,0	135	197	445	130	374	387	M24	50	290	95	150	315	54.0	56	84.1	39.0	191	191	191	204	149
SNX 3032	161,0	140	197	445	130	374	387	M24	50	290	95	150	315	58.0	54	84.1	39.0	191	191	191	204	154
SNX 3034	162,0	150	226	530	159	426	464	M30	60	317	110	160	364	62.5	50	91.3	33.7	220	220	220	234	164
SNX 3036	235,0	160	241	550	159	457	483	M30	60	338	118	170	379	67.0	52	102.4	34.0	235	235	235	252	176
SNX 3038	235,0	170	241	550	159	457	483	M30	60	338	118	170	379	68.5	48	102.4	34.0	235	235	235	252	186

Housing		LD Seal		FS Seal		VR Seal		End Cover	
Description	Part No.	Description	Part No.	Description	Part No.	Description	Part No.	Description	Part No.
SNX 3024	747042	LD 110	725342	10X12X200	713596	VS0110	738157	DK 110	708966
SNX 3026	747043	LD 115	725343	10X12X210	713603	VS0115	738158	DK 115	708970
SNX 3028	747044	LD 125	725344	10X12X230	713613	VS0125	738160	DK 125	708976
SNX 3030	747045	LD 135	725345	10X12X245	713622	VS0135	738162	DK 135	708983
SNX 3032	747046	LD 140	725346	10X12X265	713634	VS0140	738163	DK 140	708989
SNX 3034	747047			10X12X280	713641	VS0150	738165	DK 165	740383
SNX 3036	747048			10X12X300	713647	VS0160	738167	DK 175	740384
SNX 3038	747049			10X12X300	713647	VS0170	738169		

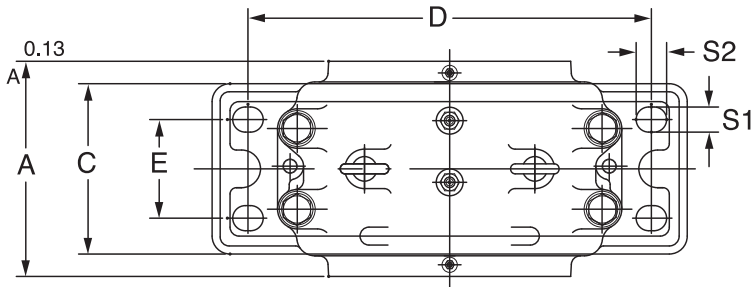
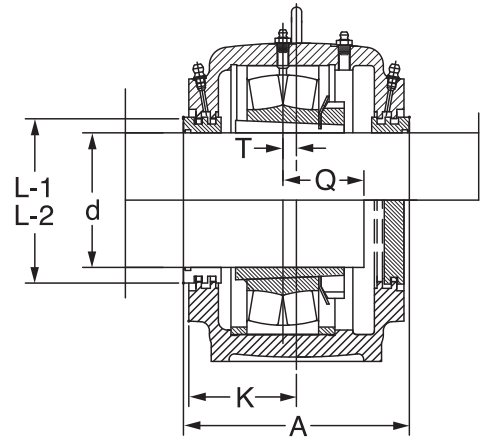
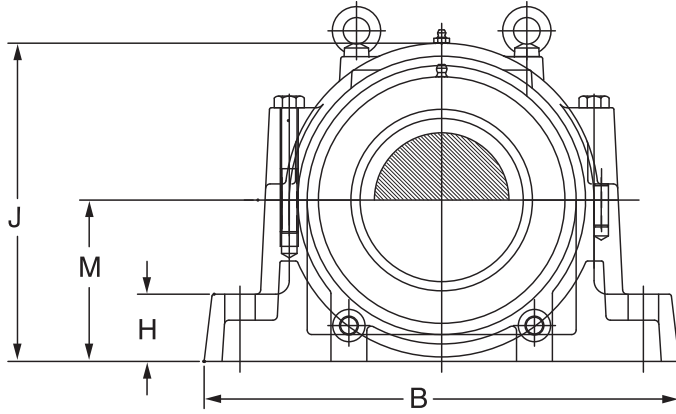
Description	Spherical roller bearing		Fixing rings			Adapters	
	Description	Part No.	Description	Quantity	Part No.	Description	Part No.
SNX 3024	23024EASK.M.C3	703619	SR 180X5	2	747131	H 3024	719419
SNX 3026	23026K.C3	703628	SR 200X10	1	747136	H 3026	719420
SNX 3028	23028EASK.M	703644	SR 210X10	1	747138	H 3028	719421
SNX 3030	23030EASK.M.C3	703656	SR 225X10	1	747142	H 3030	719422
SNX 3032	23032K.C3	703661	SR 240X10	1	747145	H 3032	719423
SNX 3034	23034K.C3	703670	SR 260X10	1	747148	H 3034	719425
SNX 3036	23036K.C3	703679	SR 280X10	1	747150	H 3036	053088
SNX 3038	23038EASK.M.C3	703689	SR 290X10	1	747151	H 3038	719429

FEATURES/BENEFITS PAGE B16-23	NOMENCLATURE PAGE B16-6	SELECTION PAGE B16-26	DIMENSIONS PAGE B16-26
----------------------------------	----------------------------	--------------------------	---------------------------

DIMENSIONS

SDX 3000

Plummer Blocks for bearings 23000K



Plummer Blocks

Sleeve Bearings

SLEEVOIL

Take-Up Frames

Engineering

Part Number Index

Keyword Index

FEATURES/BENEFITS PAGE B16-23	NOMENCLATURE PAGE B16-6	SELECTION PAGE B16-42	DIMENSIONS PAGE B16-42
----------------------------------	----------------------------	--------------------------	---------------------------

DIMENSIONS

SDX 3000

Dimensions in mm

Description	kg	d	A	B	C	H	D	E	J	M	K	S Bolt Size	S1	S2	Q ★	T	A (With Seals)			L1 ◆ TS	L2 ◆ TT
																	End Cover DK	TS Seal TT	TT Seal TT		
SDX 3040	120	180	260	560	210	80	480	120	375	190	130	24	28	34	73	10	260	284	289	215	216
SDX 3044	135	200	280	610	230	85	510	130	410	210	140	30	35	42	85	10	280	304	309	235	250
SDX 3048	180	220	290	640	240	90	540	140	435	220	145	30	35	42	86	12	290	314	319	255	270
SDX 3052	215	240	310	700	260	95	600	150	475	240	155	30	35	42	97	12	310	334	339	275	290
SDX 3056	250	260	320	770	280	100	650	160	515	260	160	36	42	50	102	13	320	344	349	295	310
SDX 3060	300	280	320	790	280	105	670	160	550	280	160	36	42	50	112	16	320	344	349	315	330
SDX 3064	330	300	350	830	310	110	710	190	590	300	175	36	42	50	116	22	350	374	379	335	350
SDX 3068	420	320	370	880	330	115	750	200	630	320	185	36	42	50	123.5	23	370	394	399	355	370

Description	Housing		Labyrinth Seal		Triple-Tect Seal		End Cover	
	Description	Part No.	Description	Part No.	Description	Part No.	Description	Part No.
SDX 3040	SDX 3040	747602	TS-23040	747666	TT-23040	747706	EC-SDX3040	747748
SDX 3044	SDX 3140/3044	747604	TS-23044	747667	TT-23044	747707	EC-SDX3140/3144/3044	747750
SDX 3048	SDX 3048	747605	TS-23048	747668	TT-23048	747708	EC-SDX3048	747751
SDX 3052	SDX 3148/3052	747607	TS-23052	747669	TT-23052	747709	EC-SDX3148/3152/3052	747753
SDX 3056	SDX 3056	747608	TS-23056	747670	TT-23056	747710	EC-SDX3056	747754
SDX 3060	SDX 3156/3060	747610	TS-23060	747671	TT-23060	747711	EC-SDX3156/3160/3060	747756
SDX 3064	SDX 3064	747611	TS-23064	747672	TT-23064	747712	EC-SDX3064	747757
SDX 3068	SDX 3068	747613	TS-23068	747673	TT-23068	747713	EC-SDX3068	747759

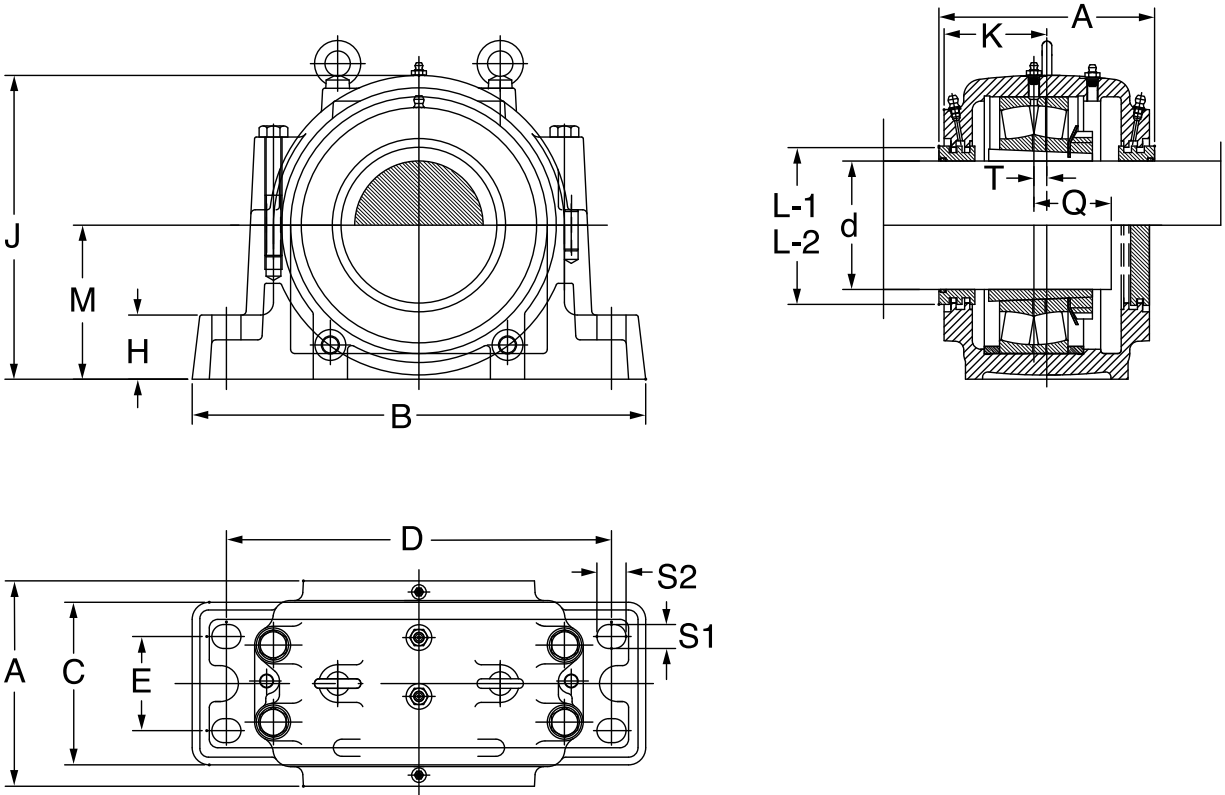
Description	Spherical roller bearing		Fixing rings			Adapters	
	Description	Part No.	Description	Quantity	Part No.	Description	Part No.
SDX 3040	23040EASK.M.C3	703694	SR 310x20	2	747155	H 3040	719432
SDX 3044	23044K.MB.C3	703711	SR 340x21	2	747159	H 3044	719434
SDX 3048	23048K.MB.C3	422031	SR 360x24	2	747161	H 3048	719437
SDX 3052	23052K.C3	703725	SR 400x22	2	747166	H 3052	719441
SDX 3056	23056K.M.C3	422030	SR 420x30	2	747167	H 3056	719443
SDX 3060	23060K.C3	703738	SR 460x24	2	747171	H 3060	719445
SDX 3064	23064K.C3	703739	SR 480x30	2	747172	H 3064	719446
SDX 3068	23068K.C3	421282	SR 520x32	2	747174	H 3068	719448

FEATURES/BENEFITS PAGE B16-23	NOMENCLATURE PAGE B16-6	SELECTION PAGE B16-42	DIMENSIONS PAGE B16-42
----------------------------------	----------------------------	--------------------------	---------------------------

DIMENSIONS

SDX 3100

Plummer Blocks for bearings 23100K



FEATURES/BENEFITS PAGE B16-23	NOMENCLATURE PAGE B16-6	SELECTION PAGE B16-42	DIMENSIONS PAGE B16-42
----------------------------------	----------------------------	--------------------------	---------------------------

DIMENSIONS

SDX 3100

Dimensions in mm

Description	kg	d	A	B	C	H	D	E	J	M	K	S Bolt Size	S1	S2	Q ★	T	A (With Seals)			L1 ◆	L2 ◆
																	End Cover DK	TS Seal TS	TT Seal TT		
																	TS	TT	TT		
SDX 3134	65	150	230	510	180	70	430	100	335	170	115	24	28	34	73	14	230	254	259	185	186
SDX 3136	75	160	240	530	190	75	450	110	355	180	120	24	28	34	78	15	240	264	269	195	196
SDX 3138	95	170	260	560	210	80	480	120	375	190	130	24	28	34	83	10	260	284	289	205	206
SDX 3140	120	180	280	610	230	85	510	130	410	210	140	30	35	42	88	10	280	304	309	235	250
SDX 3144	135	200	290	640	240	90	540	140	435	220	145	30	35	42	95	12	290	314	319	235	250
SDX 3148	180	220	310	700	260	95	600	150	475	240	155	30	35	42	101	12	310	334	339	275	290
SDX 3152	215	240	320	770	280	100	650	160	515	260	160	36	42	50	111	13	320	344	349	275	290
SDX 3156	250	260	320	790	280	105	670	160	550	280	160	36	42	50	114	16	320	344	349	315	330
SDX 3160	300	280	350	830	310	110	710	190	590	300	175	36	42	50	120	22	350	374	379	315	330
SDX 3164	330	300	370	880	330	115	750	200	630	320	185	36	42	50	130	23	370	394	399	375	390

Description	Housing		Labyrinth Seal		Triple-Tect Seal		End Cover	
	Description	Part No.	Description	Part No.	Description	Part No.	Description	Part No.
SDX 3134	SDX 3134	747600	TS-23134	747681	TT-23134	747721	EC-SDX3134	747746
SDX 3136	SDX 3136	747601	TS-23136	747682	TT-23136	747722	EC-SDX3136	747747
SDX 3138	SDX 3138	747603	TS-23138	747683	TT-23138	747723	EC-SDX3138	747749
SDX 3140	SDX 3140 / 3044	747604	TS-23140	747684	TT-23140	747724	EC-SDX3140/3144/3044	747750
SDX 3144	SDX 3144	747606	TS-23044	747667	TT-23044	747707	EC-SDX3140/3144/3044	747750
SDX 3148	SDX 3148	747607	TS-23148	747686	TT-23148	747726	EC-SDX3148/3152/3052	747753
SDX 3152	SDX 3152	747609	TS-23052	747669	TT-23052	747709	EC-SDX3148/3152/3052	747753
SDX 3156	SDX 3156 / 3060	747610	TS-23156	747688	TT-23156	747728	EC-SDX3156/3160/3060	747756
SDX 3160	SDX 3160	747612	TS-23060	747671	TT-23060	747711	EC-SDX3156/3160/3060	747756
SDX 3164	SDX 3164	747614	TS-23164	747690	TT-23164	747730	EC-SDX3164	747760

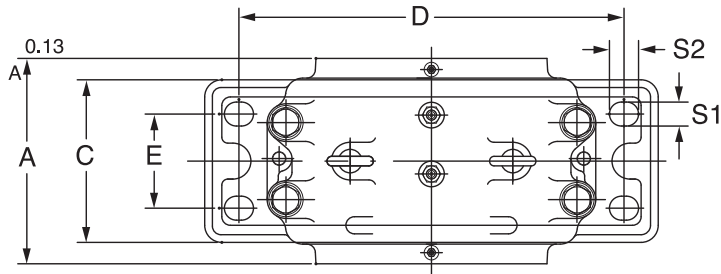
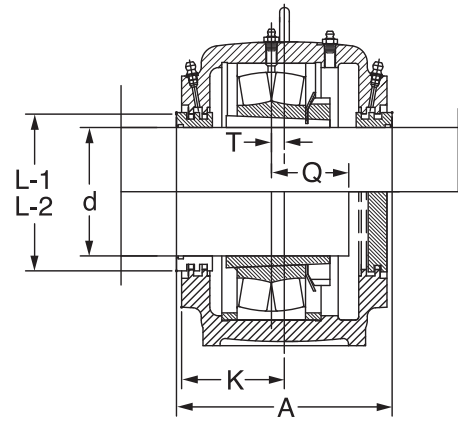
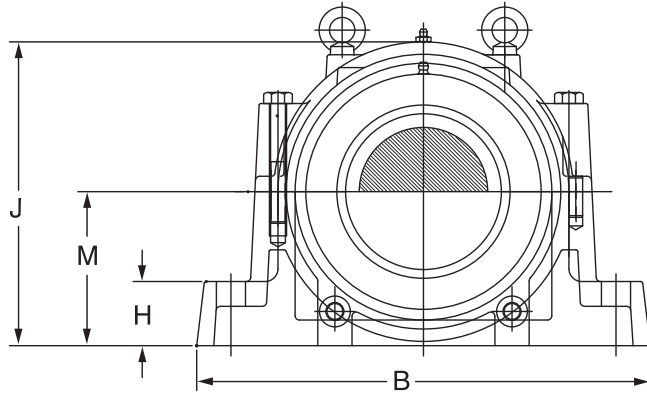
Description	Spherical roller bearing		Fixing rings			Adapters	
	Description	Part No.	Description	Quantity	Part No.	Description	Part No.
SDX 3134	23134K.M.C3	703831	SR 280x10	2	747150	H 3134	046233
SDX 3136	23136ESKTPVB.C3	703840	SR 300x10	2	747154	H 3136	046234
SDX 3138	23138K.C3	703850	SR 320x10	2	747156	H 3138	046235
SDX 3140	23140BK.MB.C3	421403	SR 340x10	2	747157	H 3140	046236
SDX 3144	23144BK.MB.C3	703866	SR 370x10	2	747162	H 3144	046237
SDX 3148	23148BK.MB.C3	703873	SR 400x10	2	747164	H 3148	719480
SDX 3152	23152K.MB.C3	703890	SR 440x10	2	747168	H 3152	719485
SDX 3156	23156BK.MB.C3	703892	SR 460x10	2	747170	H 3156	719489
SDX 3160	23160K.C3	703903	SR 500x10	2	747173	H 3160	719491
SDX 3164	23164K.MB.C3	421287	SR 540x10	2	747175	H 3164	719492

FEATURES/BENEFITS PAGE B16-23	NOMENCLATURE PAGE B16-6	SELECTION PAGE B16-42	DIMENSIONS PAGE B16-42
----------------------------------	----------------------------	--------------------------	---------------------------

DIMENSIONS

SDXD 3000

Plummer Blocks for bearings 23000K



Plummer Blocks

Sleeve Bearings

SLEEVOIL

Take-Up Frames

Engineering

Part Number Index

Keyword Index

FEATURES/BENEFITS PAGE B16-23	NOMENCLATURE PAGE B16-6	SELECTION PAGE B16-46	DIMENSIONS PAGE B16-46
----------------------------------	----------------------------	--------------------------	---------------------------

DIMENSIONS

SDXD 3000

Dimensions in mm

Description	kg	d	A	B	C	H	D	E	J	M	K	S Bolt Size	S1	S2	Q ★	T	A			L1 TS	L2 ◆ TT
																	End Cover DK	TS Seal TS	TT Seal TS-TT		
SDXD 3040	95	180	260	560	210	80	480	120	375	190	130	24	28	34	83	10	260	284	268	205	206
SDXD 3044	135	200	280	610	230	85	510	130	410	210	140	30	35	42	85	10	280	294	299	235	250
SDXD 3048	180	220	290	640	240	90	540	140	435	220	145	30	35	42	86	12	290	298	303	255	270
SDXD 3052	215	240	310	700	260	95	600	150	475	240	155	30	35	42	97	12	310	318	323	275	290
SDXD 3056	250	260	320	770	280	100	650	160	515	260	160	36	42	50	102	13	320	328	333	295	310
SDXD 3060	300	280	320	790	280	105	670	160	550	280	160	36	42	50	112	16	320	328	333	315	330
SDXD 3064	330	300	350	830	310	110	710	190	590	300	175	36	42	50	116	22	350	358	363	335	350
SDXD 3068	420	320	370	880	330	115	750	200	630	320	185	36	42	50	123.5	23	370	378	383	355	370

Description	Housing		Labyrinth Seal		Triple-Tect Seal		End Cover	
	Description	Part No.	Description	Part No.	Description	Part No.	Description	Part No.
SDXD 3040	SDXD 3040 / 3138	747624	TS-23040	747666	TT-23040	747706	EC-SDX3040	747748
SDXD 3044	SDXD 3044 / 3140	747626	TS-23044	747667	TT-23044	747707	EC-SDX3140/3144/3044	747750
SDXD 3048	SDXD 3048 / 3144	747627	TS-23048	747668	TT-23048	747708	EC-SDX3048	747751
SDXD 3052	SDXD 3052 / 3148	747629	TS-23052	747669	TT-23052	747709	EC-SDX3148/3152/3052	747753
SDXD 3056	SDXD 3056 / 3152	747630	TS-23056	747670	TT-23056	747710	EC-SDX3056	747754
SDXD 3060	SDXD 3060 / 3156	747632	TS-23060	747671	TT-23060	747711	EC-SDX3156/3160/3060	747756
SDXD 3064	SDXD 3064 / 3160	747633	TS-23064	747672	TT-23064	747712	EC-SDX3064	747757
SDXD 3068	SDXD 3068 / 3164	747635	TS-23068	747673	TT-23068	747713	EC-SDX3068	747759

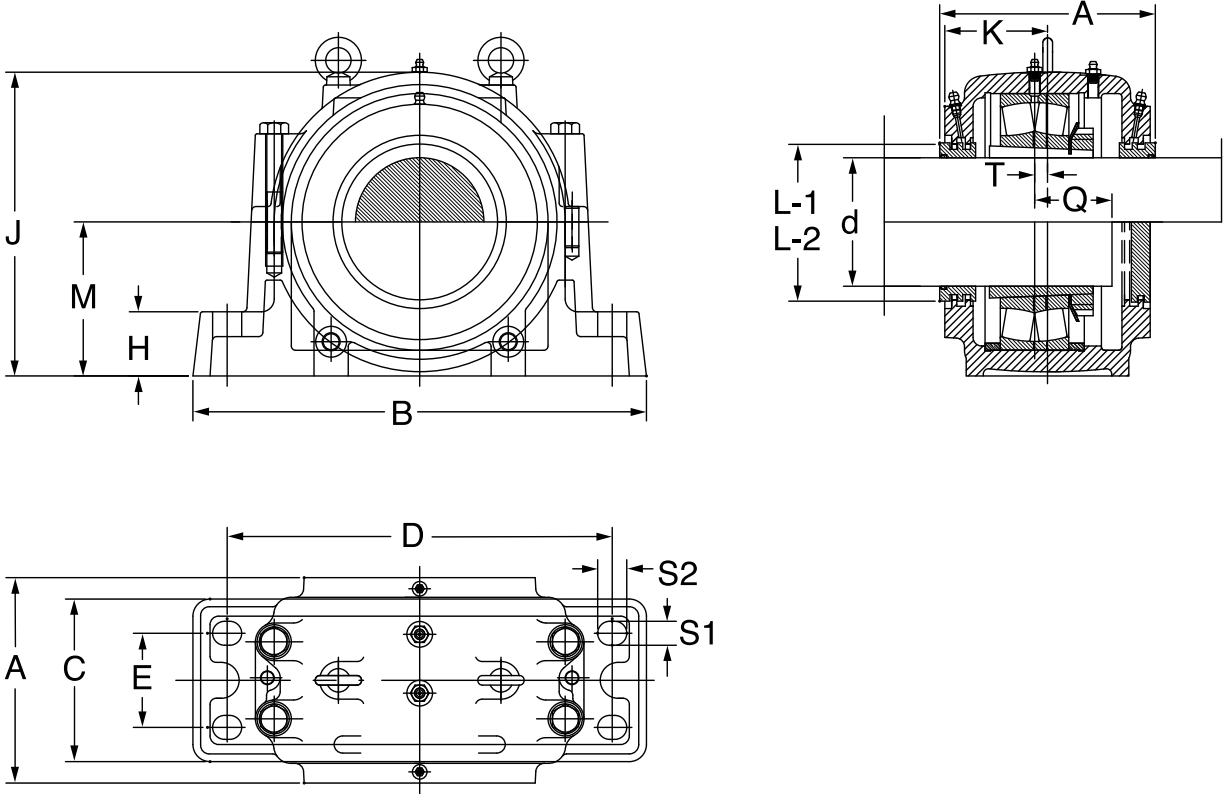
Description	Spherical roller bearing		Fixing rings			Adapters	
	Description	Part No.	Description	Quantity	Part No.	Description	Part No.
SDXD 3040	23040EASK.M.C3	703694	SR 310x20	2	747155	H 3040	719432
SDXD 3044	23044K.MB.C3	703711	SR 340x21	2	747159	H 3044	719434
SDXD 3048	23048K.MB.C3	422031	SR 360x24	2	747161	H 3048	719437
SDXD 3052	23052K.C3	703725	SR 400x22	2	747166	H 3052	719441
SDXD 3056	23056K.M.C3	420030	SR 420x30	2	747167	H 3056	719443
SDXD 3060	23060K.C3	703738	SR 460x24	2	747171	H 3060	719445
SDXD 3064	23064K.C3	703739	SR 480x30	2	747172	H 3064	719446
SDXD 3068			SR 520x32	2	747174	H 3068	719448

FEATURES/BENEFITS PAGE B16-23	NOMENCLATURE PAGE B16-6	SELECTION PAGE B16-46	DIMENSIONS PAGE B16-46
----------------------------------	----------------------------	--------------------------	---------------------------

DIMENSIONS

SDXD 3100

Plummer Blocks for bearings 23100K



Plummer Blocks

Sleeve Bearings

SLEEVOIL

Take-Up Frames

Engineering

Part Number Index

Keyword Index

FEATURES/BENEFITS PAGE B16-23	NOMENCLATURE PAGE B16-6	SELECTION PAGE B16-46	DIMENSIONS PAGE B16-46
----------------------------------	----------------------------	--------------------------	---------------------------

DIMENSIONS

SDXD 3100

Dimensions in mm

Description	kg	d	A	B	C	H	D	E	J	M	K	S Bolt Size	S1	S2	Q ★	T	A		TT Seal TT	L1 ◆	L2 ◆
																	End Cover DK	TS Seal TS			
SDXD 3134	65	150	230	510	180	70	430	100	335	170	115	24	28	34	73	14	230	238	269	185	186
SDXD 3136	75	160	240	530	190	75	450	110	355	180	120	24	28	34	78	15	240	264	289	195	196
SDXD 3138	95	170	260	560	210	80	480	120	375	190	130	24	28	34	83	10	260	284	309	205	206
SDXD 3140	120	180	280	610	230	85	510	130	410	210	140	30	35	42	88	10	280	304	319	235	250
SDXD 3144	135	200	290	640	240	90	540	140	435	220	145	30	35	42	95	12	290	314	339	235	250
SDXD 3148	180	220	310	700	260	95	600	150	475	240	155	30	35	42	101	12	310	334	349	275	290
SDXD 3152	215	240	320	770	280	100	650	160	515	260	160	36	42	50	111	13	320	344	349	275	290
SDXD 3156	250	260	320	790	280	105	670	160	550	280	160	36	42	50	114	16	320	344	379	315	330
SDXD 3160	300	280	350	830	310	110	710	190	590	300	175	36	42	50	120	22	350	374	399	315	330
SDXD 3164	330	300	370	880	330	115	750	200	630	320	185	36	42	50	130	23	370	394		375	390

Description	Housing		Labyrinth Seal		Triple-Tect Seal		End Cover	
	Description	Part No.	Description	Part No.	Description	Part No.	Description	Part No.
SDXD 3134	SDXD 3134	747622	TS-23134	747681	TT-23134	747721	EC-SDX3134	747746
SDXD 3136	SDXD 3136	747623	TS-23136	747682	TT-23136	747722	EC-SDX3136	747747
SDXD 3138	SDXD 3138 / 3040	747625	TS-23138	747683	TT-23138	747723	EC-SDX3138	747749
SDXD 3140	SDXD 3140 / 3044	747626	TS-23140	747684	TT-23140	747724	EC-SDX3140/3144/3044	747750
SDXD 3144	SDXD 3144 / 3048	747628	TS-23044	747667	TT-23044	747707	EC-SDX3140/3144/3044	747750
SDXD 3148	SDXD 3148 / 3052	747629	TS-23148	747686	TT-23148	747726	EC-SDX3148/3152/3052	747753
SDXD 3152	SDXD 3152 / 3056	747631	TS-23052	747669	TT-23052	747709	EC-SDX3148/3152/3052	747753
SDXD 3156	SDXD 3156 / 3060	747632	TS-23156	747688	TT-23156	747728	EC-SDX3156/3160/3060	747756
SDXD 3160	SDXD 3160 / 3064	747634	TS-23060	747671	TT-23060	747711	EC-SDX3156/3160/3060	747756
SDXD 3164	SDXD 3164 / 3068	747636	TS-23164	747690	TT-23164	747730	EC-SDX3164	747760

Description	Spherical roller bearing		Fixing rings			Adapters	
	Description	Part No.	Description	Quantity	Part No.	Description	Part No.
SDXD 3134	23134K.M.C3	703831	SR 280x10	2	747150	H 3134	046233
SDXD 3136	23136ESKTVPB.C3	703840	SR 300x10	2	747154	H 3136	046234
SDXD 3138	23138K.C3	703850	SR 320x10	2	747156	H 3138	046235
SDXD 3140	23140BK.MB.C3	421403	SR 340x10	2	747157	H 3140	046236
SDXD 3144	23144BK.MB.C3	703866	SR 370x10	2	747162	H 3144	046237
SDXD 3148	23148BK.MB.C3	703873	SR 400x10	2	747164	H 3148	719480
SDXD 3152	23152K.MB.C3	703890	SR 440x10	2	747168	H 3152	719485
SDXD 3156	23156BK.MB.C3	703892	SR 460x10	2	747170	H 3156	719489
SDXD 3160	23160K.C3	703903	SR 500x10	2	747173	H 3160	719491
SDXD 3164	23164K.MB.C3	421287	SR 540x10	2	747175	H 3164	719492

FEATURES/BENEFITS PAGE B16-23	NOMENCLATURE PAGE B16-6	SELECTION PAGE B16-46	DIMENSIONS PAGE B16-46
----------------------------------	----------------------------	--------------------------	---------------------------

NOTES

Plummer Blocks

Sleeve Bearings

SLEEVOIL

Take-Up Frames

Engineering

Part Number Index

Keyword Index



Sleeve Bearings

Features / Benefits	B17-2
Specification/How To Order	B17-4
Nomenclature	B17-5
Selection	
SOLIDLUBE® - Inch	B17-6
SOLIDLUBE® - Metric	B17-8
Babbitted and Bronze-Bushed	B17-34
BRONZOIL®	B17-54
Dimensions	
SOLIDLUBE®	B17-10
Babbitted	B17-38
Bronze - Bushed	B17-50
BRONZOIL®	B17-55
Shaft Collars	B17-57
Part Number Index	INDEX-1
Key Word Index	KEYWORD-1



FEATURES/BENEFITS

Sleeve Bearings

SOLIDLUBE

Self-Lubricating, Statically Self-Aligning Bearings for Extreme Industrial Applications



- Good in temperature extremes and inaccessible locations.
- Will function effectively in a vacuum.
- Ideal where bearings are subject to dry cycles or where lube systems would be too costly.
- Usable in many corrosive (chemical) medias.
- Will operate in submersible applications of some low viscosity liquids.
- Recommended for slow speeds and limited shaft movement applications.

BRONZOIL



- Self Oiling Bushing Feeds Oil to Shaft
- Split Pressed Steel Housing
- Statically Self-Aligning
- Bushing Shoulder Provides Self-Lubricating Bearing Thrust Surface
- Slotted Bolt Holes
- Oil Resistant Rubber Grommets Available for Sound Isolation and Static Electricity Protection



FEATURES/BENEFITS

Sleeve Bearings BABBITTED AND BRONZE-BUSHED BEARINGS



GOOD FOR SLOW SPEEDS AND SHOCK LOADS

- MPTA LOAD RATINGS
- Cast Iron Housings
- 2 and 4 Bolt Housings

Babbitted

- Solid or Fully Split Housing
- Babbitted Bearing Surface



Bronzed-Bushed

- Fully Split Housing
- Replaceable Split Bronze Bushings
- Brass Locking Spool for Easy Bushing Replacement



Sleeve Bearings

HOW TO ORDER SLEEVE BEARINGS

There are two ways to specify DODGE Sleeve Bearings. Most of the product offering have part numbers with listings shown throughout this catalog. Use of part numbers ensures accurate order processing.

When part numbers are not shown, the product may be specified by description or part name. This method is used when ordering units that include modifications or options. To order by description, use the nomenclature key shown on page B17-5 and add any special instructions to the end of the description for options not covered by the nomenclature.

SOLIDLUBE

Statically self-aligning, non-galling, solid-film lubricating for temperature extremes.

- 700 Series: -40° to 700°F
- 1000 Series: -200° to -40°F; 250°F to 1,000°F
- 800 Series: -40° to 800°F

Also suitable for submerged and limited movement applications.

Babbitted

Grease lubricated for moderate speeds and loads, ambient temperature to 130°F, babbitt accurately bored to insure even load distribution for conveyor shafts, heavy gear, and chain drives use.

Bronze-Bushed

Grease lubricated for moderate speeds, ambient temperature to 300°F and heavy loads or shock loads make the advantage of a precision replaceable bronze bushing desirable. Other bushing material is available on a special order basis, such as bronze with graphite plugs, or phenolic resin on nylon.

BRONZOIL

Economical, statically self-aligning, and self-lubricating pillow blocks and four-bolt flange units for fans, light machinery, and other general use; ambient temperature to 180°F.

FEATURES/BENEFITS PAGE B17-2	NOMENCLATURE PAGE B17-5	SELECTION PAGE B17-6	SELECTION/DIMENSIONS PAGE B17-10
---------------------------------	----------------------------	-------------------------	-------------------------------------



NOMENCLATURE

Sleeve Bearings SLEEVE BEARING NOMENCLATURE

P2B - LT7 - 108 - SH

MODIFICATIONS/FEATURES:
SH Stainless Steel Housing
(Available with SOLIDLUBE LT Series Only)

HOUSINGS:

- P2B Pillow Block, 2 Bolt Base
- P4B Pillow Block, 4 Bolt Base
- F2B Flange, 2 Bolt
- F4B Flange, 4 Bolt
- HNG Hanger Bearing
- NSTU Narrow Slot Take-Up
- SCHB Screw Conveyor Hanger Bearing
- WSTU Wide Slot Take-Up
- TB Tapped Base
- FB Flanged Bracket

STYLE:

- BO BRONZOIL
- BASO Babbitted Solid
- BASP Babbitted Split
- BAR Babbitted Rigid
- BAA Babbitted Angle
- BAP Babbitted Plate
- BZSP Bronze Bushed Split
- BZR Bronze Bushed Rigid
- LT7 SOLIDLUBE LT700 Series
- LT10 SOLIDLUBE LT 1000 Series
- LTB7 SOLIDLUBE Lower Backing Height On Pillow Blocks For LT700 Series
- LTB10 SOLIDLUBE Lower Backing Height On Pillow Blocks For LT1000 Series
- LM8 SOLIDLUBE LM800 Series
- MM7 SOLIDLUBE MM700 Series
- MM10 SOLIDLUBE MM1000 Series

SHAFT SIZE:

- 115 First Digit: Number Of Inches
Second And Third Digit: Sixteenths Of An Inch
115 Indicates 1-15/16
- 50M FIRST TWO DIGITS: Bore In Millimeters;
M : Indicates Metric Dimension

FEATURES/BENEFITS PAGE B17-2	SPECIFICATION/HOW TO ORDER PAGE B17-4	SELECTION PAGE B17-6	SELECTION/DIMENSIONS PAGE B17-10
---------------------------------	--	-------------------------	-------------------------------------



SELECTION

Sleeve Bearings - SOLIDLUBE - Inch

Bearing Size

Select a bearing from tables for normal loads or loads in limited shaft movement applications having a radial load equal to or greater than the actual load. This simple method is all that is required for the majority of general machine applications using commercial steel shafting and operating in a dry atmosphere. (For more favorable conditions, ratings may be increased somewhat; consult factory). Shaft collars may be used for slight amounts of thrust. Generally the rule of 10% of the radial load applies. Dirty environments will reduce bearing life and should be avoided. Losses due to friction can be as high as 30% depending on speed, lead, temperature and shaft material.

Shafting

Commercial steel shafting is good in applications where temperatures do not exceed 700°F. However, for extended bearing life, at any temperature, the shaft should be hardened to 35 Rockwell "C" or better. Shaft finish should be 10 to 20 micro-inches. A finish rougher than 20μ will lessen bearing life. A finish smoother than 10 will not allow the optimum lubricant film to develop. Shaft tolerance should be +.000/-.002 for commercial steel shafting. If using other shaft materials, consult DODGE for the shaft tolerance and thermal expansion.

When commercial shafting is exposed to a corrosive media, it will oxidize. A rusty shaft will grow in the bearing, thus eliminating clearances. In this case stainless steel shafting may be used and/or provide for regularly scheduled movement of shaft. In elevated temperatures stainless grades such as 17-4, 15-5, or 13-8 are hardenable. Shafts can be spray coated with ceramic or hard chrome. This is good up to about 800°F. Check with your supplier, since these coatings can flake off when the coefficient of thermal expansion of the base material differs greatly from that of the coating.

High grade specialty shafting may be used in excess of 1000°F. It may be less expensive to use sleeves of this material on more economical shafting.

Noise or High Pitched Squeal

Carbon-graphite bushings can develop a high frequency vibration in resonance with the operating system to cause noise. Dampening or change of resonant frequency of the shaft is required to eliminate noise.

Specials

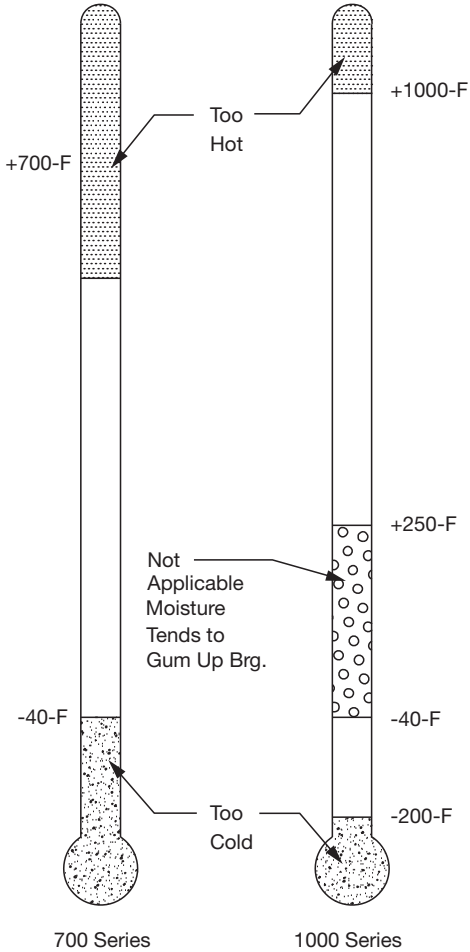
SOLIDLUBE bearings or bearings made from alternate bushing materials such as polymers, fibers, bronze, etc. for unusual operating and load conditions are available on a specially engineered basis by supplying the following:

- Shaft size, material and rpm.
- Normal load, shock load and frequency.
- Direction of load.
- Ambient temperature and atmospheric conditions (water, dirt, corrosive, etc.)
- Type of bearing: pillow block, flange bearing, etc.
- Housing material desired.
- Quantity.

End Closures

Ball Bearing End Closures are available (B4-102).

Note: SOLIDLUBE bearings are not designed for rotating housing applications



**SOLIDLUBE
Bearing
Operating
Temperature**

Plummer Blocks

Sleeve Bearings

SLEEVOIL

Take-Up Frames

Engineering

Part Number Index

Keyword Index

FEATURES/BENEFITS PAGE B17-2	SPECIFICATION/HOW TO ORDER PAGE B17-4	NOMENCLATURE PAGE B17-5	SELECTION/DIMENSIONS PAGE B17-10
---------------------------------	--	----------------------------	-------------------------------------



SELECTION

Sleeve Bearings - SOLIDLUBE - Inch SOLIDLUBE 700, 1000 and 800 Series

SOLIDLUBE Bearing 700 and 1000 Series Radial Load Ratings in Pounds (Normal Loads)

Shaft Size	Radial Load Ratings in Pounds at various Revolutions per Minute											
	Up to 10	25	50	75	100	150	200	250	300	350	400	450
3/4	560	560	560	560	560	380	285	230	190	165	145	125
7/8, 15/16, 1	750	750	750	750	750	610	405	315	245	205	175	130
1-1/8, 1-3/16	1050	1050	1050	908	680	450	340	270	225	190	170	150
1-1/4, 1-3/8, 1-7/16, 1-1/2	1610	1610	1610	1140	855	570	430	340	280	245	215	190
1-11/16, 1-3/4	1980	1980	1790	1190	895	595	440	390	295	255	220	200
1-15/16, 2	2360	2360	1860	1240	930	620	465	370	310	265	235	205
2-3/16	2870	2870	2010	1340	1000	670	500	400	335	285	250	225
2-7/16, 2-1/2	3760	3760	2360	1580	1180	795	590	475	390	340	295	265
2-15/16, 3	5970	5970	3120	2070	1560	1040	780	625	515	445	390	345
3-7/16, 3-1/2	9100	8010	4000	2670	2000	1340	1000	800	670	570	500	445
3-15/16, 4	11800	9160	4590	3060	2290	1530	1150	930	765	665	575	510
4-7/16, 4-1/2	15200	10300	5150	3440	2580	1720	1290	1030	860	740	645	...
4-15/16, 5	18400	11400	5710	3810	2860	1910	1430	1140	955	815

Shaft Size	500	550	600	700	800	900	1000	1100	1300	1600	1900	2200	2500
3/4	110	105	96	82	72	64	57	52	44	35	30	26	22
7/8, 15/16, 1	120	110	105	90	80	70	60	54	47	38	32		
1-1/8, 1-3/16	135	125	115	97	85	75	68	62	42	42			
1-1/4, 1-3/8, 1-7/16, 1-1/2	170	155	145	120	105	95	86	78	66				
1-11/16, 1-3/4	180	165	150	130	110	99	89	81					
1-15/16, 2	185	170	155	135	115	105							
2-3/16	200	180	165	145	125								
2-7/16, 2-1/2	235	215	195	170									
2-15/16, 3	345	315	290										
3-7/16, 3-1/2	400	365											

NOTE: The above ratings apply to all base loaded pillow blocks, all cylindrical units and flange type bearings (up to 700°F). For flange bearings operating at temperatures above 700°F, cap and side loading of pillow blocks consult Application Engineering. For operations speeds below heave line, use LT1000 and/or hardened shaft.

SOLIDLUBE Bearing Corrosion (Chemical) Resistance

Type of Chemical	Chemical	Bearing Series	
		LM800 700	1000
Acids and Acidic Solutions	Mineral (Non-Oxidizing)	★	★
	Mineral (Oxidizing)	■	★
	Inorganic Salts (Acid Forming)	★	★
	Organic (Strong)	★	★
	Organic (Weak) pH 3-7	★	★
	Organic Salts (Acid Forming)	★	★
Alkalis (Bases & Alkaline Solutions)	Mineral (Non-Oxidizing)	★	★
	Mineral (Oxidizing)	▲	★
	Inorganic Salts (Base Forming)	★	★
	Organic (Strong)	★	★
	Weak Organic Bases pH 7-11	★	★
Gases	Acid	★	★
	Alkaline (base)	★	★
	Anhydrous (dew point below -30°F)	▲	▲
	Cyrogenic (Liquefied)	■	▲
	Inert	★	★
Salts	Oxidizing	■	▲
	Reducing	★	★
	Acid Salts	▲	▲
	Alkaline Sales	▲	▲
	Metals	★	★
Solvents	Neutral Salts	■	▲
	Neutral Salt Solutions	★	★
	Aliphatic	★	★
	Aromatic	★	★
	Chlorinated, Fluorinated	★	★
Oxygenated, Sulfides	★	★	

★ Good. Not known interaction; compatible
 ▲ Questionable (depends on conditions)
 ■ Not recommended

Note: For compatibility or specific chemical, contact Application Engineering

700 and 1000 Series SOLIDLUBE Bearing Radial Load Rating in Pounds (Limited Shaft Movement Applications) ▲

Shaft Size	Max. Radial Load		Max. Thrust
	Base Loaded	Cap or Side Loading	
3/4	1100	775	56
7/8, 15/16, 1	1500	795	75
1-1/8, 1-3/16	2100	820	105
1-1/4, 1-3/8, 1-7/16, 1-1/2	3200	1710	161
1-11/16, 1-3/4	4000	1905	198
1-15/16, 2	4700	1920	236
2-3/16	5700	1900	287
2-7/16, 2-1/2	7500	2360	376
2-15/16, 3	12,000	4151	597

▲ Use only when shaft movement is limited to approx. ±90°. Movement is infrequent as opposed to continuous and maximum bearing temperature is 700°F.

LM800 Radial Load Ratings

Bearing Size	Max. Radial Base Load	Max. Radial Cap Load
3/4	560	560
1	750	600
1-1/4	1610	600
1-1/2	1610	600

Note: These load ratings are to be used only when shaft rotation is less than 10 RPM and temperature does not exceed 800° F. Maximum allowable thrust load is 50 lbs.

FEATURES/BENEFITS PAGE B17-2	SPECIFICATION/HOW TO ORDER PAGE B17-4	NOMENCLATURE PAGE B17-5	SELECTION/DIMENSIONS PAGE B17-10
---------------------------------	--	----------------------------	-------------------------------------



SELECTION

Sleeve Bearings - SOLIDLUBE - Metric

Plumber Blocks

Sleeve Bearings

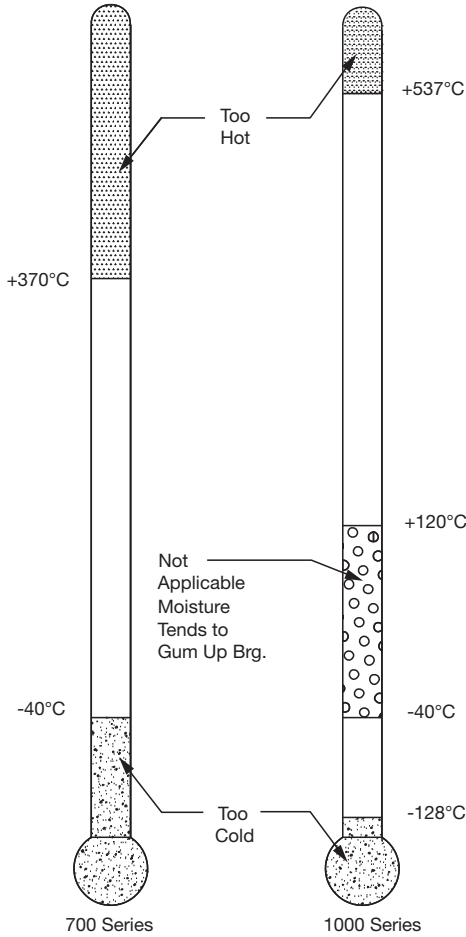
SLEEVOIL

Take-Up Frames

Engineering

Part Number Index

Keyword Index



**SOLIDLUBE
Bearing
Operating
Temperature**

Bearing Size

Select a bearing from tables for normal loads or loads in limited shaft movement applications having a radial load equal to or greater than the actual load. This simple method is all that is required for the majority of general machine applications using commercial steel shafting and operating in a dry atmosphere. (For more favorable conditions, ratings may be increased somewhat; consult factory). Shaft collars may be used for slight amounts of thrust. Generally the rule of 10% of the radial load applies. Dirty environments will reduce bearing life and should be avoided. Losses due to friction can be as high as 30% depending on speed, load, temperature and shaft material.

Shafting

Commercial steel shafting is good in applications where temperatures do not exceed 370°C. However, for extended bearing life, at any temperature, the shaft should be hardened to 35 Rockwell "C" or better. Shaft finish should be .25 to .50 micro-meters. A finish rougher than .50 will lessen bearing life. A finish smoother than R_a . 25 micro-meters will not allow the optimum lubricant film to develop. Shaft tolerance should be +.000/-.051 millimeters for commercial steel shafting. If using other shaft materials, consult DODGE for the shaft tolerance and thermal expansion.

When commercial shafting is exposed to a corrosive media, it will oxidize. A rusty shaft will grow in the bearing, thus eliminating clearances. In this case stainless steel shafting may be used and/or provide for regularly scheduled movement of shaft. In elevated temperatures stainless grades such as 17-4, 15-5, or 13-8 are hardenable. Shafts can be spray coated with ceramic or hard chrome. This is good up to about 425°C. Check with your supplier, since these coatings can flake off when the coefficient of thermal expansion of the base material differs greatly from that of the coating.

High grade specialty shafting may be used in excess of 537°C. It may be less expensive to use sleeves of this material on more economical shafting.

Noise or High Pitched Squeal

Carbon-graphite bushings can develop a high frequency vibration in resonance with the operating system to cause noise. Dampening or change of resonant frequency of the shaft is required to eliminate noise.

Specials

SOLIDLUBE bearings or bearings made from alternate bushing materials such as polymers, fibers, bronze, etc. for unusual operating and load conditions are available on a specially engineered basis by supplying the following:

- Shaft size, material and rpm.
- Normal load, shock load and frequency.
- Direction of load.
- Ambient temperature and atmospheric conditions (water, dirt, corrosive, etc.)
- Type of bearing: pillow block, flange bearing, etc.
- Housing material desired.
- Quantity.

End Closures

Ball Bearing End Closures are available (Page B4-102).

Note: SOLIDLUBE bearings are not designed for rotating housing applications

FEATURES/BENEFITS PAGE B17-2	SPECIFICATION/HOW TO ORDER PAGE B17-4	NOMENCLATURE PAGE B17-5	SELECTION/DIMENSIONS PAGE B17-10
---------------------------------	--	----------------------------	-------------------------------------



Sleeve Bearings - SOLIDLUBE - Metric SOLIDLUBE BEARING 700 and 1000 SERIES

SOLIDLUBE Bearing 700 and 1000 Series Radial Load Ratings in Newtons (N) Normal Loads

Series	Shaft Size	Radial Load Ratings in Newtons at Various Revolutions per Minute											
		10	25	50	75	100	150	200	250	300	350	400	450
204	20mm	2490	2490	2490	2490	2490	1690	1270	1020	840	730	640	560
205	25mm	3340	3340	3340	3340	2710	1800	1400	1090	910	780	690	580
206	30mm	4670	4670	4670	4040	3020	2000	1510	1200	1000	840	760	670
207	35mm	7160	7160	7160	5070	3800	2540	1910	1510	1240	1090	960	840
209	40mm, 45mm	8800	8800	7960	5290	3980	2650	1960	1740	1310	1130	980	890
210	50mm	10500	10500	8270	5520	4140	2760	2070	1650	1380	1180	1040	910
212	60mm	16700	16700	10500	7030	5250	3540	2620	2110	1730	1510	1310	1180
215	70mm, 75mm	26500	26500	13900	9200	6940	4630	3470	2780	2290	1980	1740	1540

Series	Shaft Size	Radial Load Ratings in Newtons at Various Revolutions per Minute												
		500	550	600	700	800	900	1000	1100	1300	1600	1900	2200	2500
204	20mm	490	470	430	360	320	200	250	230	200	160	130	120	100
205	25mm	530	490	470	400	360	310	270	240	210	170	140		..
206	30mm	600	560	510	430	380	330	300	280	190	190		..	.
207	35mm	760	690	640	530	470	420	380	350	300
209	40mm, 45mm	800	730	670	580	490	440	400	360
210	50mm	820	760	690	600	510	470
212	60mm	1040	960	870	760
215	70mm, 75mm	1530	1400	1290

NOTE: The above ratings apply to all base loaded pillow blocks, all cylindrical units and flange type bearings (up to 370°C). For flange bearings operating at temperatures above 370°C, cap and side loading of pillow blocks consult Applications Engineering. For operation speeds below heavy line, use LT1000 and/or hardened shaft.

SOLIDLUBE Bearings 700 Series and 1000 Series Radial Load Ratings in Newtons (N) (Limited Shaft Movement Applications) ▲

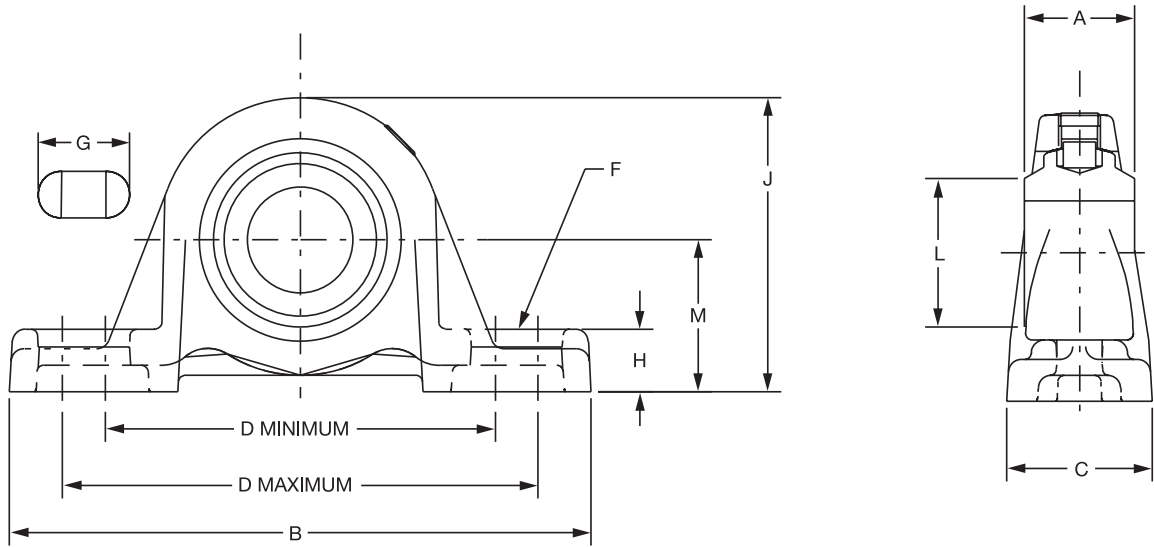
Series	Shaft Size	Max. Radial Load		Max. Thrust Load
		Base Loaded	Cap or Side Loading	
204	20mm	4890	3450	250
205	25mm	6670	3540	330
206	30mm	9340	3650	470
207	35mm	14200	7600	720
209	40mm, 45mm	17800	8470	880
210	50mm	20900	8540	1050
212	60mm	33400	10500	1670
215	70mm, 75mm	53400	18500	2660

▲ Use only when shaft movement is Limited to approx. ± 90°
Movement is infrequent as opposed to continuous and maximum bearing temperature is 370°C.

SELECTION/DIMENSIONS



Sleeve Bearings - SOLIDLUBE 3/4" THRU 3" SOLIDLUBE LT PILLOW BLOCKS



Series	Shaft Size	700 SERIES			1000 SERIES			Used on Frame
		Part Number	Description	Wt.	Part Number	Description	Wt.	
204	3/4	033667	P2B-LT7-012	1.70	033977	P2B-LT10-012	1.70	LD-10
	20mm	034225	P2B-LT7-20M	0.77	034234	P2B-LT10-20M	0.77	LD-10
205	7/8	033668	P2B-LT7-014	1.60	033978	P2B-LT10-014	1.60	LD-10
	15/16	033669	P2B-LT7-015	1.50	033979	P2B-LT10-015	1.50	
	1	033670	P2B-LT7-100	1.40	033980	P2B-LT10-100	1.40	LD-10
	25mm	034226	P2B-LT7-25M	0.64	034235	P2B-LT10-25M	0.64	
206	1-1/8	033672	P2B-LT7-102	2.80	033982	P2B-LT10-102	2.80	LD-20
	1-3/16	033673	P2B-LT7-103	2.70	033983	P2B-LT10-103	2.70	LD-20
	30mm	034227	P2B-LT7-30M	1.22	034236	P2B-LT10-30M	1.22	
207	1-1/4	033674	P2B-LT7-104	4.20	033984	P2B-LT10-104	4.20	LD-20
	1-3/8	033676	P2B-LT7-106	3.90	033986	P2B-LT10-106	3.90	
	1-7/16	033677	P2B-LT7-107	3.80	033987	P2B-LT10-107	3.80	
	1-1/2	033678	P2B-LT7-108	3.70	033988	P2B-LT10-108	3.70	LD-20
	35mm	034228	P2B-LT7-35M	1.77	034237	P2B-LT10-35M	1.77	
209	1-11/16	033680	P2B-LT7-111	6.00	033990	P2B-LT10-111	6.00	LD-20
	1-3/4	033681	P2B-LT7-112	5.80	033991	P2B-LT10-112	5.80	LD-20
	40mm	034229	P2B-LT7-40M	2.72	034238	P2B-LT10-40M	2.72	
	45mm	034230	P2B-LT7-45M	2.63	034239	P2B-LT10-45M	2.63	
210	1-15/16	033682	P2B-LT7-115	6.80	033992	P2B-LT10-115	6.80	LD-30
	2	033683	P2B-LT7-200	6.60	033993	P2B-LT10-200	6.60	LD-30
	50mm	034231	P2B-LT7-50M	3.08	034240	P2B-LT10-50M	3.08	
211	2-3/16	033684	P2B-LT7-203	8.00	033994	P2B-LT10-203	8.00	LD-40
212	2-7/16	033686	P2B-LT7-207	10.10	033996	P2B-LT10-207	10.10	LD-40
	2-1/2	033687	P2B-LT7-208	9.80	033997	P2B-LT10-208	9.80	
	60mm	034221	P2B-LT7-60M	4.58	034241	P2B-LT10-60M	4.58	LD-40
215	2-15/16	033688	P2B-LT7-215	21.20	033998	P2B-LT10-215	21.20	LD-45
	3	033077	P2B-LT7-300	20.90	033974	P2B-LT10-300	20.90	
	70mm	034232	P2B-LT7-70M	9.98	034242	P2B-LT10-70M	9.98	LD-45
	75mm	034233	P2B-LT7-75M	9.62	034243	P2B-LT10-75M	9.62	

FEATURES/BENEFITS
PAGE B17-2

SPECIFICATION/HOW TO ORDER
PAGE B17-4

NOMENCLATURE
PAGE B17-5

SELECTION
PAGE B17-6



SELECTION/DIMENSIONS

Sleeve Bearings - SOLIDLUBE 3/4" THRU 3" SOLIDLUBE LT PILLOW BLOCKS

Series	Shaft Size	A	B	C	D		F Bolt Dia.	G	H	J	L	M											
					Min.	Max.																	
204	3/4	1	5-1/4	1-11/32	3-3/8	4-3/16	3/8	27/32	17/32	2-9/16	1-3/8	1-5/16											
	20mm	25.4	133.4	34.1	85.7	106.4	10	21.4	13.5	65.1	34.9	33.3											
205	7/8	1-1/16	5-1/2	1-13/32	3-11/16	4-1/2	3/8	27/32	19/32	2-25/32	1-9/16	1-7/16											
	15/16												27.0	139.7	35.7	93.7	114.3	10	21.4	15.1	70.6	39.7	36.5
	1												25mm	27.0	139.7	35.7	93.7	114.3	10	21.4	15.1	70.6	39.7
206	1-1/8	1-3/16	6-1/4	1-3/4	4-1/4	5	1/2	15/16	11/16	3-1/4	1-13/16	1-5/8											
	1-3/16												30.2	158.8	44.5	108.0	127.0	12	23.8	17.5	82.6	46.0	41.3
	30mm												30.2	158.8	44.5	108.0	127.0	12	23.8	17.5	82.6	46.0	41.3
207	1-1/4	1-5/16	6-1/2	1-3/4	4-11/16	5-7/16	1/2	15/16	23/32	3-3/4	2-1/8	1-7/8											
	1-3/8												33.3	165.1	44.5	119.1	138.1	12	23.8	18.3	95.3	54.0	47.6
	1-7/16												33.3	165.1	44.5	119.1	138.1	12	23.8	18.3	95.3	54.0	47.6
	1-1/2												35mm	33.3	165.1	44.5	119.1	138.1	12	23.8	18.3	95.3	54.0
209	1-11/16	1-9/16	7-7/16	2	5-1/2	6-3/16	1/2	29/32	3/4	4-9/32	2-9/16	2-1/8											
	1-3/4												39.7	188.9	50.8	139.7	157.2	12	23.0	19.1	108.7	65.1	54.0
	40mm												39.7	188.9	50.8	139.7	157.2	12	23.0	19.1	108.7	65.1	54.0
210	1-15/16	1-5/8	8-1/8	2-1/4	6	6-11/16	5/8	1-1/32	3/4	4-17/32	2-13/16	2-1/4											
	2												41.3	206.4	57.1	152.4	170.0	16	26.2	19.1	115.1	71.4	57.2
211	2-3/16	1-3/4	8-7/8	2-5/16	6-3/8	7-7/16	5/8	1-7/32	7/8	4-31/32	3-1/8	2-1/2											
212	2-7/16	1-13/16	9-1/2	2-3/8	6-7/8	7-15/16	5/8	1-7/32	7/8	5-13/32	3-1/2	2-3/4											
	2-1/2												46.0	241.3	60.3	174.6	201.6	16	31.0	22.2	137.3	88.9	69.9
	60mm												46.0	241.3	60.3	174.6	201.6	16	31.0	22.2	137.3	88.9	69.9
215	2-15/16	2-23/32	11-3/4	2-7/8	8-1/2	9-1/2	7/8	1-7/16	1	6-3/4	3-15/16	3-1/2											
	3												69.1	298.5	73.0	215.9	241.3	22	36.5	25.4	171.5	100.0	88.9
	70mm												69.1	298.5	73.0	215.9	241.3	22	36.5	25.4	171.5	100.0	88.9
	75mm	69.1	298.5	73.0	215.9	241.3	22	36.5	25.4	171.5	100.0	88.9											

All Dimensions Are In Millimeters Unless Otherwise Specified

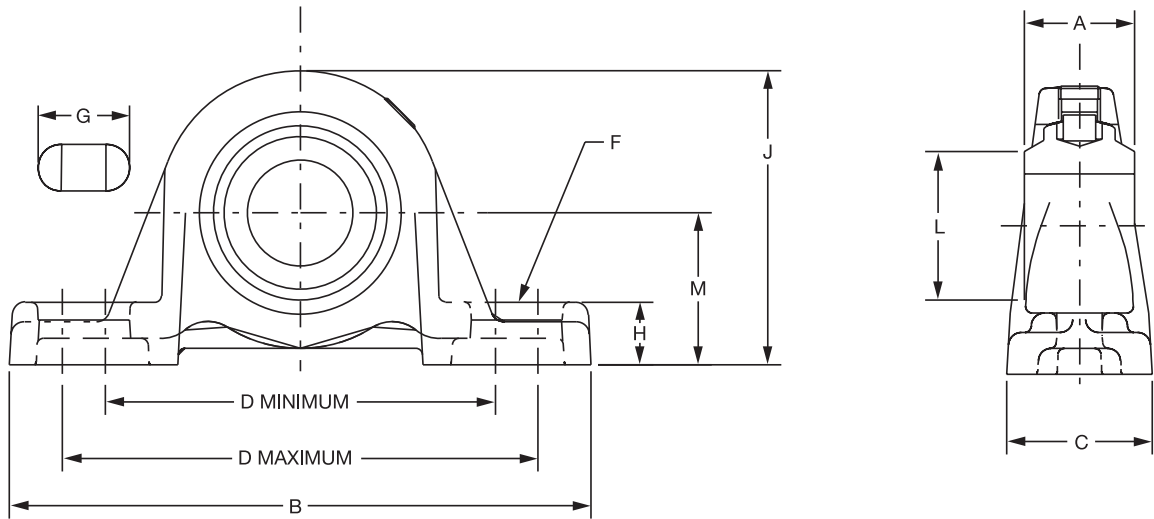
The LT and LTB Pillow Blocks Are Identical Except the LTB Pillow Blocks Have Lower Backing Dimensions

FEATURES/BENEFITS PAGE B17-2	SPECIFICATION/HOW TO ORDER PAGE B17-4	NOMENCLATURE PAGE B17-5	SELECTION PAGE B17-6
---------------------------------	--	----------------------------	-------------------------

SELECTION/DIMENSIONS



Sleeve Bearings - SOLIDLUBE 3/4" THRU 3" SOLIDLUBE LTB PILLOW BLOCKS



Series	Shaft Size	700 SERIES			1000 SERIES			Used on Frame
		Part No.	Description	Wt.	Part No.	Description	Wt.	
204	3/4	032940	P2B-LTB7-012	1.6	032970	P2B-LTB10-012	1.6	LD-10
	20mm	034244	P2B-LTB7-20M	0.73	034252	P2B-LTB10-20M	0.73	LD-10
205	7/8	032941	P2B-LTB7-014	1.5	032971	P2B-LTB10-014	1.5	LD-10
	15/16	032942	P2B-LTB7-015	1.4	032972	P2B-LTB10-015	1.4	
	1	032943	P2B-LTB7-100	1.3	032973	P2B-LTB10-100	1.3	LD-10
	25mm	034245	P2B-LTB7-25M	0.59	034253	P2B-LTB10-25M	0.59	
206	1-1/8	032945	P2B-LTB7-102	2.7	032975	P2B-LTB10-102	2.7	LD-20
	1-3/16	032946	P2B-LTB7-103	2.6	032976	P2B-LTB10-103	2.6	LD-20
	30mm	034246	P2B-LTB7-30M	1.18	034254	P2B-LTB10-30M	1.18	
207	1-1/4	032947	P2B-LTB7-104	4	032977	P2B-LTB10-104	4	LD-20
	1-3/8	032949	P2B-LTB7-106	3.8	032979	P2B-LTB10-106	3.8	
	1-7/16	032950	P2B-LTB7-107	3.7	032980	P2B-LTB10-107	3.7	
	1-1/2	032951	P2B-LTB7-108	3.6	032981	P2B-LTB10-108	3.6	
	35mm	034247	P2B-LTB7-35M	1.72	034255	P2B-LTB10-35M	1.72	
209	1-11/16	032953	P2B-LTB7-111	5	032983	P2B-LTB10-111	5	LD-20
	1-3/4	032954	P2B-LTB7-112	4.8	032984	P2B-LTB10-112	4.8	LD-20
	40mm	034248	P2B-LTB7-40M	2.27	034256	P2B-LTB10-40M	2.27	
	45mm	034249	P2B-LTB7-45M	2.18	034257	P2B-LTB10-45M	2.18	
210	1-15/16	032955	P2B-LTB7-115	6	032985	P2B-LTB10-115	6	
	2	032956	P2B-LTB7-200	5.8	032986	P2B-LTB10-200	5.8	LD-30
	50mm	034250	P2B-LTB7-50M	2.72	034258	P2B-LTB10-50M	2.72	
211	2-3/16	032957	P2B-LTB7-203	6.5	032987	P2B-LTB10-203	6.5	LD-40
	2-7/16	032959	P2B-LTB7-207	8.1	032989	P2B-LTB10-207	8.1	LD-40
212	2-1/2	032960	P2B-LTB7-208	7.8	032990	P2B-LTB10-208	7.8	LD-40
	60mm	034251	P2B-LTB7-60M	3.67	034259	P2B-LTB10-60M	3.67	LD-40
215	2-15/16	034596	P2B-LTB7-215	18.7	034598	P2B-LTB10-215	18.7	LD-45
	3	034597	P2B-LTB7-300	18.4	034599	P2B-LTB10-300	18.4	LD-45
	70mm		
	75mm		

FEATURES/BENEFITS
PAGE B17-2

SPECIFICATION/HOW TO ORDER
PAGE B17-4

NOMENCLATURE
PAGE B17-5

SELECTION
PAGE B17-6



SELECTION/DIMENSIONS

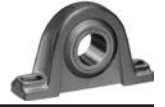
Sleeve Bearings - SOLIDLUBE 3/4" THRU 3" SOLIDLUBE LTB PILLOW BLOCKS

Series Size	Shaft	A	B	C	D		F Bolt Dia.	G	H	J	L	M
					Min.	Max.						
204	3/4	1	5-1/4	1-11/32	3-3/8	4-3/16	3/8	27/32	15/32	2-1/2	1-3/8	1-1/4
	20mm	25.4	133.4	34.1	85.7	106.4	10	21.4	11.9	63.5	34.9	31.8
205	7/8	1-1/16	5-1/2	1-13/32	3-11/16	4-1/2	3/8	27/32	15/32	2-21/32	1-9/16	1-5/16
	15/16											
206	1	1-3/16	6-1/4	1-3/4	4-1/4	5	1/2	15/16	5/8	3-3/16	1-13/16	1-9/16
	1-3/16											
207	1-1/8	1-5/16	6-1/2	1-3/4	4-11/16	5-7/16	1/2	15/16	21/32	3-11/16	2-1/8	1-13/16
	1-3/8											
209	1-7/16	1-9/16	7-7/16	2	5-1/2	6-3/16	1/2	29/32	11/16	4-7/32	2-9/16	2-1/16
	1-1/2											
210	40mm	1-5/8	8-1/8	2-1/4	6	6-11/16	5/8	1-1/32	11/16	4-15/32	2-13/16	2-3/16
	45mm											
211	50mm	1-3/4	8-7/8	2-5/16	6-3/8	7-7/16	5/8	1-7/32	13/16	4-29/32	3-1/8	2-7/16
212	2-7/16	1-13/16	9-1/2	2-3/8	6-7/8	7-15/16	5/8	1-7/32	13/16	5-11/32	3-1/2	2-11/16
	2-1/2											
215	60mm	2-23/32	11-3/4	2-7/8	8-1/2	9-1/2	7/8	1-7/16	1-1/16	6-9/16	3-15/16	3-5/16
	2-15/16											
	75mm											

All Dimensions Are In Millimeters Unless Otherwise Specified

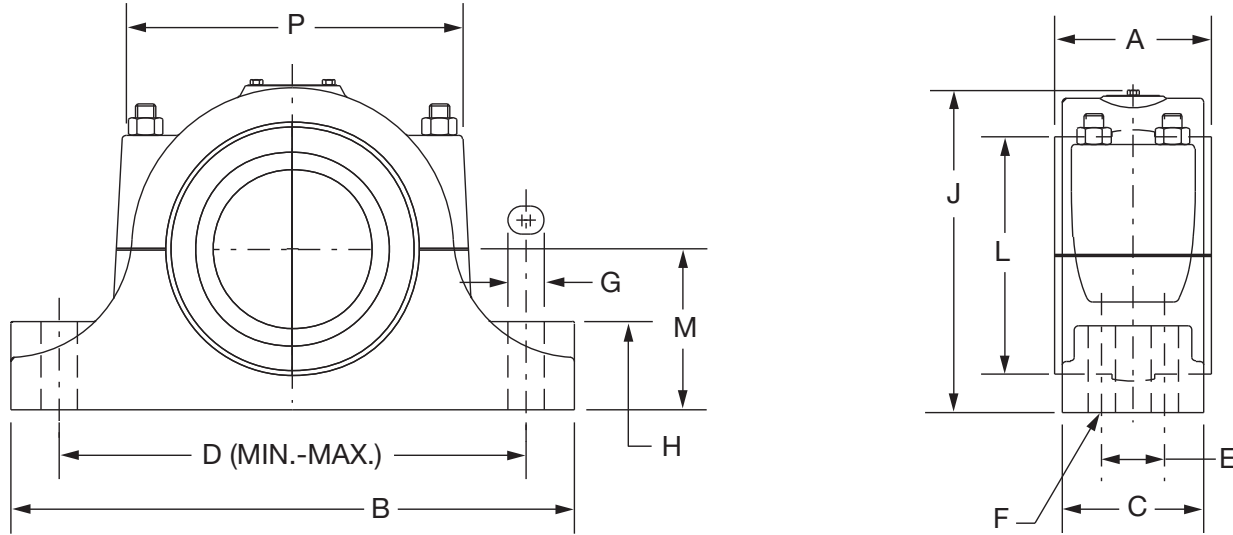
The LT and LTB Pillow Blocks are Identical Except the LTB Pillow Blocks Have Lower backing Dimensions.

FEATURES/BENEFITS PAGE B17-2	SPECIFICATION/HOW TO ORDER PAGE B17-4	NOMENCLATURE PAGE B17-5	SELECTION PAGE B17-6
---------------------------------	--	----------------------------	-------------------------



SELECTION/DIMENSIONS

Sleeve Bearings - SOLIDLUBE 3-7/16" THRU 5" SOLIDLUBE MM PILLOW BLOCKS



Shaft Size	700 Series		1000 Series		Wt.	Used On Frame	A	B	C
	Part No.	Description	Part No.	Description					
3-7/16	033247	P2B-MM7-307	033347	P2B-MM10-307	23.00	HD-250	3-1/2	12	2-13/16
3-1/2	033251	P2B-MM7-308	033351	P2B-MM10-308	22.80				
3-15/16	033475	P2B-MM7-315	033480	P2B-MM10-315	36.00	HD-300	4	13-7/16	3-3/16
4	033485	P2B-MM7-400	033490	P2B-MM10-400	35.80				
4-7/16	033500	P2B-MM7-407	033505	P2B-MM10-407	60.00	HD-350	4-1/2	16	3-7/16
4-1/2	033510	P2B-MM7-408	033515	P2B-MM10-408	59.70				
4-15/16	033525	P4B-MM7-415	033530	P4B-MM10-415	92.00	HD-400	5	17-7/16	4-3/4
5	033535	P4B-MM7-500	033540	P4B-MM10-500	91.50				

Shaft Size	D		2 Bolt Base	4 Bolt Base		G	H	J	L	M	P
	Min.	Max.	F Bolt Dia.	E	F Bolt Dia.						
3-7/16	9-1/4	10-1/4	5/8	1-1/4	1-3/4	7	4-7/8	3-1/4	7- 1/4
3-1/2											
3-15/16	9-7/8	11-1/2	3/4	1-11/16	2	7-15/16	5-5/8	3-3/4	8-3/16
4											
4-7/16	12-13/16	13-13/16	7/8	1-1/2	2-1/4	9-7/16	6-15/16	4-1/2	10
4-1/2											
4-15/16	13-1/8	14-3/4	...	2	3/4	1-11/16	2-3/4	10-1/2	7-9/16	5	10-5/8
5											

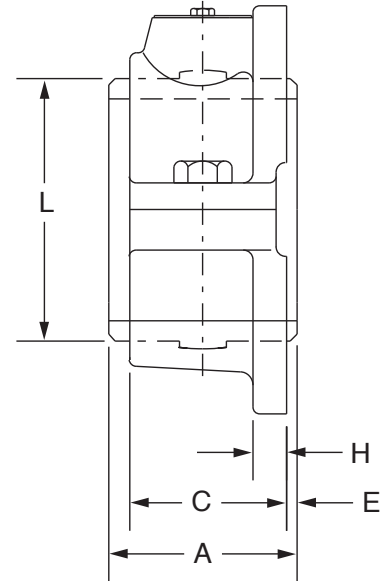
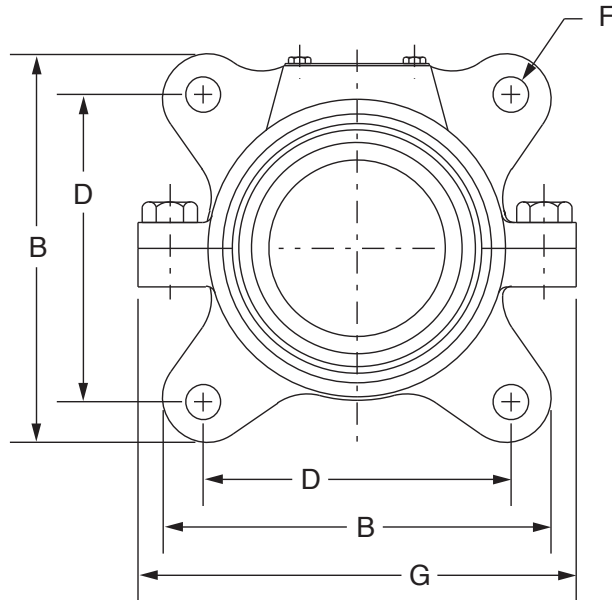
◆ No Published Metric Dimensions For This Product

FEATURES/BENEFITS PAGE B17-2	SPECIFICATION/HOW TO ORDER PAGE B17-4	NOMENCLATURE PAGE B17-5	SELECTION PAGE B17-6
---------------------------------	--	----------------------------	-------------------------



SELECTION/DIMENSIONS

Sleeve Bearings - SOLIDLUBE 3-7/16" THRU 5" SOLIDLUBE MM 4-BOLT FLANGE BEARINGS



Shaft Size	700 Series		1000 Series		Wt.
	Part No.	Description	Part No.	Description	
3-7/16	033323	F4B-MM7-307	033868	F4B-MM10-307	17.00
3-1/2	033321	F4B-MM7-308	033931	F4B-MM10-308	18.00
3-15/16	032923	F4B-MM7-315	033899	F4B-MM10-315	26.00
4	032937	F4B-MM7-400	033932	F4B-MM10-400	
4-7/16	033862	F4B-MM7-407	033933	F4B-MM10-407	42.00
4-1/2	033863	F4B-MM7-408	033934	F4B-MM10-408	
4-15/16	033929	F4B-MM7-415	033869	F4B-MM10-415	62.00
5	033930	F4B-MM7-500	033867	F4B-MM10-500	

Shaft Size	A	B	C	D	E	F	G	H	L
3-7/16	3-1/2	7-5/8	2-59/64	6	3/16	5/8	8-9/16	5/8	4-7/8
3-1/2									
3-15/16	4	8-7/8	3-11/32	6-7/8	1/4	3/4	9-1/2	11/16	5-5/8
4									
4-7/16	4-1/2	10-1/4	3-23/32	8-1/8	1/4	7/8	11-3/8	3/4	6-15/16
4-1/2									
4-15/16	5	11-7/16	4-5/8	9-3/16	1/8	1	12-7/8	13/16	7-9/16
5									

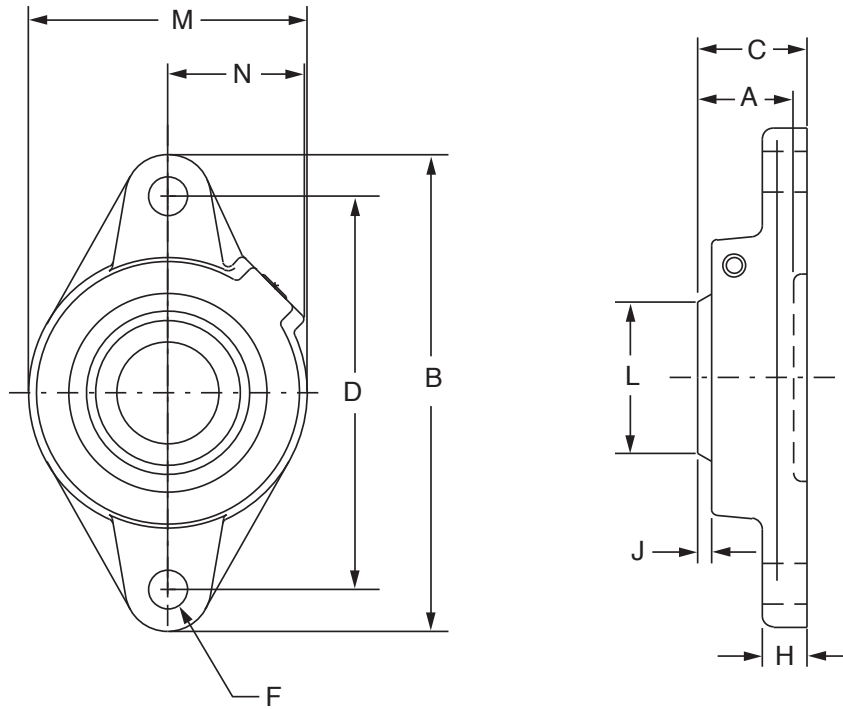
◆ No Published Metric Dimensions For This Product

FEATURES/BENEFITS PAGE B17-2	SPECIFICATION/HOW TO ORDER PAGE B17-4	NOMENCLATURE PAGE B17-5	SELECTION PAGE B17-6
---------------------------------	--	----------------------------	-------------------------

SELECTION/DIMENSIONS



Sleeve Bearings - SOLIDLUBE 3/4" THRU 2" SOLIDLUBE LT 2-BOLT FLANGE BEARING



Series	Shaft Size	700 Series			1000 Series		
		Part No.	Description	Wt.	Part No.	Description	Wt.
204	3/4	033085	F2B-LT7-012	1.2	033185	F2B-LT10-012	1.2
	20mm	034260	F2B-LT7-20M	0.54	034266	F2B-LT10-20M	0.54
205	7/8	033086	F2B-LT7-014	1.7	033186	F2B-LT10-014	1.7
	15/16	033087	F2B-LT7-015	1.6	033187	F2B-LT10-015	1.6
	1	033088	F2B-LT7-100	1.5	033188	F2B-LT10-100	1.5
	25mm	034261	F2B-LT7-25M	0.68	034267	F2B-LT10-25M	0.68
206	1-1/8	033089	F2B-LT7-102	2.2	033189	F2B-LT10-102	2.2
	1-3/16	033090	F2B-LT7-103	2.1	033190	F2B-LT10-103	2.1
	30mm	034262	F2B-LT7-30M	0.95	034268	F2B-LT10-30M	0.95
207	1-1/4	033091	F2B-LT7-104	3.6	033191	F2B-LT10-104	3.6
	1-3/8	033092	F2B-LT7-106	3.3	033192	F2B-LT10-106	3.3
	1-7/16	033093	F2B-LT7-107	3.2	033193	F2B-LT10-107	3.2
	1-1/2	033094	F2B-LT7-108	3.1	033194	F2B-LT10-108	3.1
	35mm	034263	F2B-LT7-35M	1.5	034269	F2B-LT10-35M	1.5
209	1-11/16	033095	F2B-LT7-111	4.9	033195	F2B-LT10-111	4.9
	1-3/4	033096	F2B-LT7-112	4.7	033196	F2B-LT10-112	4.7
	40mm	034218	F2B-LT7-40M	2.22	034270	F2B-LT10-40M	2.22
	45mm	034264	F2B-LT7-45M	2.13	034271	F2B-LT10-45M	2.13
210	1-15/16	033097	F2B-LT7-115	5.4	033197	F2B-LT10-115	5.4
	2	033098	F2B-LT7-200	5.2	033198	F2B-LT10-200	5.2
	50mm	034265	F2B-LT7-50M	2.36	034272	F2B-LT10-50M	2.36

FEATURES/BENEFITS
PAGE B17-2

SPECIFICATION/HOW TO ORDER
PAGE B17-4

NOMENCLATURE
PAGE B17-5

SELECTION
PAGE B17-6



SELECTION/DIMENSIONS

Sleeve Bearings - SOLIDLUBE 3/4" THRU 2" SOLIDLUBE LT 2-BOLT FLANGE BEARING

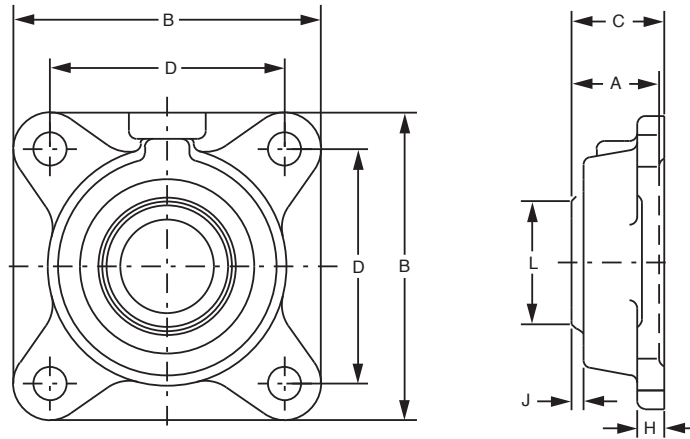
Series	Shaft Size	A	B	C	D	F Bolt Dia.	H	J	L	M	N
204	3/4	29/32	4-13/16	1-1/8	3-17/32	3/8	1/2	5/32	1-3/8	2-3/8	1-1/2
	20mm	23.0	122.2	28.6	89.7	3/8	12.7	4.0	34.9	60.3	38.1
205	7/8	63/64	4-7/8	1-1/8	3-57/64	7/16	1/2	5/32	1-9/16	2-3/4	1-7/16
	15/16										
	1	25mm	25.4	123.8	28.6	98.8	7/16	12.7	4.0	39.7	69.9
206	1-1/8	1-7/64	5-9/16	1-7/32	4-19/32	7/16	1/2	5/32	1-13/16	3-1/8	1-9/16
	1-3/16										
	30mm	28.2	141.3	31.0	116.7	7/16	12.7	4.0	46.0	79.4	39.7
207	1-1/4	1-7/32	6-1/8	1-3/8	5-1/8	1/2	9/16	5/32	2-1/8	3-3/4	1-27/32
	1-3/8										
	1-7/16										
	1-1/2										
35mm	31.0	155.6	34.9	130.2	1/2	14.3	4.0	54.0	95.3	46.8	
209	1-11/16	1-21/64	7-1/16	1-19/32	5-27/32	1/2	5/8	3/16	2-9/16	4-3/8	1-29/32
	1-3/4										
	40mm 45mm	33.7	179.4	40.5	148.4	1/2	15.9	4.8	65.1	111.1	48.4
210	1-15/16	1-13/32	7-7/16	1-21/32	6-3/16	1/2	5/8	3/16	2-13/16	4-9/32	2-1/32
	2										
50mm	35.7	188.9	42.1	157.2	1/2	15.9	4.8	71.4	108.7	51.6	

FEATURES/BENEFITS PAGE B17-2	SPECIFICATION/HOW TO ORDER PAGE B17-4	NOMENCLATURE PAGE B17-5	SELECTION PAGE B17-6
---------------------------------	--	----------------------------	-------------------------

SELECTION/DIMENSIONS



Sleeve Bearings - SOLIDLUBE 3/4" THRU 3" SOLIDLUBE LT 4-BOLT FLANGE BEARING



Series	Shaft Size	700 Series			1000 Series		
		Part No.	Description	Wt.	Part No.	Description	Wt.
204	3/4	033260	F4B-LT7-012	1.5	033200	F4B-LT10-012	1.5
	20mm	034273	F4B-LT7-20M	0.68	034283	F4B-LT10-20M	0.6
205	7/8	033261	F4B-LT7-014	2.2	033201	F4B-LT10-014	2.2
	15/16	033262	F4B-LT7-015	2.1	033202	F4B-LT10-015	2.1
	1	033263	F4B-LT7-100	2	033203	F4B-LT10-100	2
	25mm	034274	F4B-LT7-25M	0.91	034284	F4B-LT10-25M	0.91
206	1-1/8	033264	F4B-LT7-102	2.9	033204	F4B-LT10-102	2.9
	1-3/16	033265	F4B-LT7-103	2.8	033205	F4B-LT10-103	2.8
	30mm	034275	F4B-LT7-30M	1.27	034285	F4B-LT10-30M	1.27
207	1-1/4	033266	F4B-LT7-104	4.3	033206	F4B-LT10-104	4.3
	1-3/8	033267	F4B-LT7-106	4	033207	F4B-LT10-106	4
	1-7/16	033268	F4B-LT7-107	3.9	033208	F4B-LT10-107	3.9
	1-1/2	033269	F4B-LT7-108	3.8	033209	F4B-LT10-108	3.8
	35mm	034276	F4B-LT7-35M	1.81	034286	F4B-LT10-35M	1.81
209	1-11/16	033270	F4B-LT7-111	5.8	033210	F4B-LT10-111	5.8
	1-3/4	033271	F4B-LT7-112	5.6	033211	F4B-LT10-112	5.6
	40mm	034277	F4B-LT7-40M	2.63	034287	F4B-LT10-40M	2.63
	45mm	034278	F4B-LT7-45M	2.54	034288	F4B-LT10-45M	2.54
210	1-15/16	033272	F4B-LT7-115	6.8	033212	F4B-LT10-115	6.8
	2	033273	F4B-LT7-200	6.6	033213	F4B-LT10-200	6.6
	50mm	034279	F4B-LT7-50M	3	034289	F4B-LT10-50M	3
211	2-3/16	033274	F4B-LT7-203	8.5	033214	F4B-LT10-203	8.5
212	2-7/16	033275	F4B-LT7-207	11	033215	F4B-LT10-207	11
	2-1/2	033276	F4B-LT7-208	10.8	033216	F4B-LT10-208	10.8
	60mm	034280	F4B-LT7-60M	5	034290	F4B-LT10-60M	5
215	2-15/16	033277	F4B-LT7-215	18	033217	F4B-LT10-215	18
	3	033278	F4B-LT7-300	17.7	033218	F4B-LT10-300	17.7
	70mm	034281	F4B-LT7-70M	8.16	034291	F4B-LT10-70M	8.16
	75mm	034282	F4B-LT7-75M	8.03	034292	F4B-LT10-75M	8.03

FEATURES/BENEFITS
PAGE B17-2

SPECIFICATION/HOW TO ORDER
PAGE B17-4

NOMENCLATURE
PAGE B17-5

SELECTION
PAGE B17-6



SELECTION/DIMENSIONS

Sleeve Bearings - SOLIDLUBE 3/4" THRU 3" SOLIDLUBE LT 4-BOLT FLANGE BEARING

Series	Shaft Size	A	B	C	D	F Bolt	H	J	L
204	3/4	29/32	3-3/8	1-1/8	2-1/2	3/8	7/16	5/32	1-3/8
	20mm	23.0	85.7	28.6	63.5	10.0	11.1	3.2	34.9
205	7/8	63/64	3-3/4	1-1/8	2-3/4	7/16	1/2	3/16	1-9/16
	15/16								
	1	25.4	95.2	28.6	69.9	10.0	12.7	4.8	39.7
206	25mm	31/32	4-1/4	1-7/32	3-1/4	7/16	1/2	5/32	1-13/16
	1-1/8								
	1-3/16	28.2	108.0	31.0	82.6	10.0	12.7	4.0	46.0
207	30mm	1-7/32	4-3/4	1-3/8	3-5/8	1/2	9/16	5/32	2-1/8
	1-1/4								
	1-3/8	31.0	120.7	34.9	92.1	12.0	14.3	4.0	54.0
	1-7/16	1-11/32	5-3/8	1-19/32	4-1/8	1/2	5/8	13/64	2-9/16
1-1/2									
209	35mm	33.7	136.5	40.5	104.8	12.0	15.9	4.8	65.1
	1-11/16	1-13/32	5-5/8	1-21/32	4-3/8	1/2	5/8	7/32	2-13/16
	1-3/4								
210	40mm	35.7	142.9	42.1	111.1	12.0	15.9	4.8	71.4
	45mm	1-17/32	6-1/2	1-25/32	5-1/8	5/8	11/16	7/32	3-1/8
2-3/16									
211	50mm	41.3	177.8	47.6	142.9	16.0	17.5	4.0	88.9
	2-7/16	1-15/32	7	1-31/32	5-5/8	5/8	11/16	11/64	3-1/2
	2-1/2								
212	60mm	61.1	196.9	70.6	152.4	18.0	25.4	13.5	100.0
	2-15/16	2-23/32	7-3/4	2-3/4	6	3/4	1	17/32	3-15/16
	3								
215	70mm	2-23/32	7-3/4	2-3/4	6	3/4	1	17/32	3-15/16
	75mm								

All Dimensions Are in Millimeters Unless Otherwise Specified.

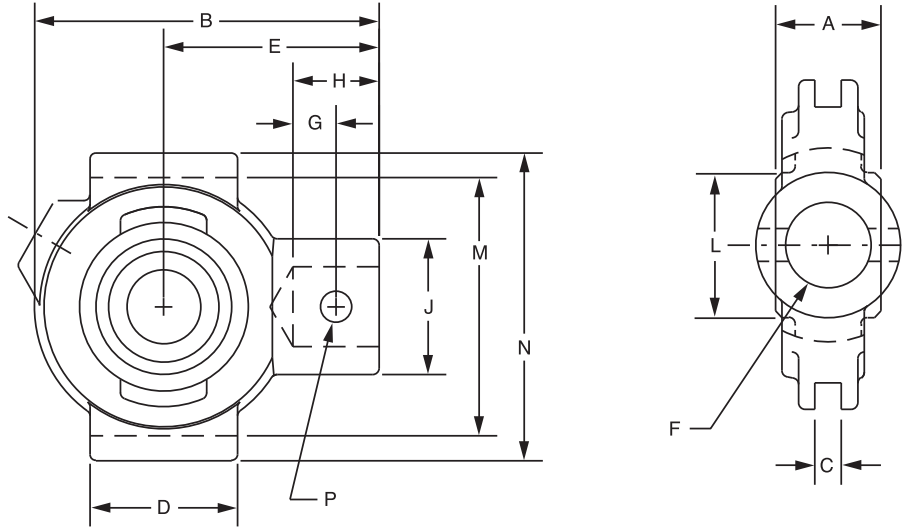
FEATURES/BENEFITS PAGE B17-2	SPECIFICATION/HOW TO ORDER PAGE B17-4	NOMENCLATURE PAGE B17-5	SELECTION PAGE B17-6
---------------------------------	--	----------------------------	-------------------------



SELECTION/DIMENSIONS

Sleeve Bearings - SOLIDLUBE

3/4" THRU 2-1/2" SOLIDLUBE LT NARROW SLOT TAKE-UP BEARINGS



Series	Shaft Size	LT700			LT1000			Used On Frame
		Part No.	Description	Wt.	Part No.	Description	Wt.	
204	3/4	033810	NSTU-LT7-012	1.7	033840	NSTU-LT10-012	1.7	NS-210
	20mm	034293	NSTU-LT7-20M	0.77	034303	NSTU-LT10-20M	0.77	NS-210
205	7/8	033811	NSTU-LT7-014	1.9	033841	NSTU-LT10-014	1.9	NS-210
	15/16	033812	NSTU-LT7-015	1.8	033842	NSTU-LT10-015	1.8	
	1	033813	NSTU-LT7-100	1.7	033843	NSTU-LT10-100	1.7	NS-210
	25mm	034294	NSTU-LT7-25M	0.77	034304	NSTU-LT10-25M	0.77	
206	1-1/8	033814	NSTU-LT7-102	2.8	033844	NSTU-LT10-102	2.8	NS-308
	1-3/16	033815	NSTU-LT7-103	2.7	033845	NSTU-LT10-103	2.7	
	30mm	034295	NSTU-LT7-30M	1.22	034305	NSTU-LT10-30M	1.22	
207	1-1/4	033816	NSTU-LT7-104	3.2	033846	NSTU-LT10-104	3.2	NS-308
	1-3/8	033817	NSTU-LT7-106	3.0	033847	NSTU-LT10-106	3.0	
	1-7/16	033818	NSTU-LT7-107	2.9	033848	NSTU-LT10-107	2.9	
	1-1/2	033819	NSTU-LT7-108	2.8	033849	NSTU-LT10-108	2.8	
209	35mm	034296	NSTU-LT7-35M	1.36	034306	NSTU-LT10-35M	1.36	NS-308
	1-11/16	033820	NSTU-LT7-111	4.9	033850	NSTU-LT10-111	4.9	NS-400
	1-3/4	033821	NSTU-LT7-112	4.8	033851	NSTU-LT10-112	4.8	
40mm	034297	NSTU-LT7-40M	2.22	034307	NSTU-LT10-40M	2.22		
210	45mm	034298	NSTU-LT7-45M	2.18	034308	NSTU-LT10-45M	2.18	NS-400
	1-15/16	033822	NSTU-LT7-115	5.5	033852	NSTU-LT10-115	5.5	NS-400
	2	033823	NSTU-LT7-200	5.3	033853	NSTU-LT10-200	5.3	
50mm	034299	NSTU-LT7-50M	2.4	034309	NSTU-LT10-50M	2.4		
211	2-3/16	033824	NSTU-LT7-203	6.7	033854	NSTU-LT10-203	6.7	NS-407
212	2-7/16	033825	NSTU-LT7-207	7.4	033855	NSTU-LT10-207	7.4	NS-415
	2-1/2	033826	NSTU-LT7-208	7.0	033856	NSTU-LT10-208	7.0	
	60mm	034300	NSTU-LT7-60M	3.18	034310	NSTU-LT10-60M	3.18	

FEATURES/BENEFITS PAGE B17-2	SPECIFICATION/HOW TO ORDER PAGE B17-4	NOMENCLATURE PAGE B17-5	SELECTION PAGE B17-6
---------------------------------	--	----------------------------	-------------------------



SELECTION/DIMENSIONS

Sleeve Bearings - SOLIDLUBE 3/4" THRU 2-1/2" SOLIDLUBE LT NARROW SLOT TAKE-UP BEARINGS

Series	Shaft Size	A	B	C	D	E	F Screw Dia.	G
204	3/4	1	3-1/2	1/4	1-1/2	2-3/16	3/4	7/16
	20mm	25.4	88.9	6.4	38.1	55.6	3/4	11.1
205	7/8, 15/16, 1	1-1/16	3-9/16	1/4	1-1/2	2-3/16	3/4	7/16
	25mm	27	90.5	6.4	38.1	55.6	3/4	11.1
206	1-1/8	1-3/16	4-5/16	1/4	2-1/2	2-11/16	3/4	7/16
	1-3/16						3/4	11.1
207	1-1/4, 1-3/8,	1-5/16	4-1/2	1/4	2-1/2	2-11/16	3/4	7/16
	1-7/16, 1-1/2						3/4	11.1
209	35mm	33.3	114.3	6.4	63.5	68.3	3/4	11.1
	1-11/16, 1-3/4	1-9/16	5-7/16	5/16	3	3-1/4	7/8	1/2
210	40mm	39.7	138.1	7.9	76.2	82.6	7/8	12.7
	45mm						7/8	12.7
211	1-15/16, 2	1-5/8	5-1/2	5/16	3	3-1/4	7/8	1/2
	50mm	41.3	139.7	7.9	76.2	82.6	7/8	12.7
212	2-3/16	1-3/4	6-1/8	5/16	3-1/2	3-5/8	1	19/32
212	2-7/16, 2-1/2	1-13/16	6-11/16	5/16	3-3/4	3-7/8	1	19/32
	60mm	46	169.9	7.9	95.3	95.3	1	15.1

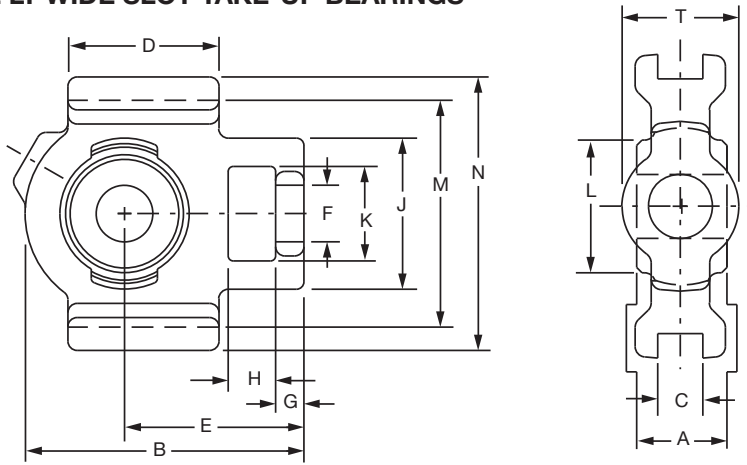
Series	Shaft Size	H	J	L	M	N	P Pin Dia.
204	3/4	7/8	1-3/8	1-3/8	2-5/8	3-1/8	5/16
	20mm	22.2	34.9	34.9	66.7	79.4	5/16
205	7/8, 15/16, 1	7/8	1-3/8	1-9/16	2-5/8	3-1/8	5/16
	25mm	22.2	34.9	39.7	66.7	79.4	5/16
206	1-1/8	15/16	1-3/8	1-13/16	3-1/2	4-1/8	5/16
	1-3/16						5/16
207	30mm	23.8	34.9	46.0	88.9	104.8	5/16
	1-1/4, 1-3/8,	15/16	1-3/8	2-1/8	3-1/2	4-1/8	5/16
209	1-7/16, 1-1/2						5/16
	35mm	23.8	34.9	54.0	88.9	104.8	5/16
210	1-11/16, 1-3/4	1-7/32	1-5/8	2-9/16	4	4-3/4	3/8
	40mm	31.0	41.3	65.1	101.6	120.7	3/8
211	45mm						3/8
	1-15/16, 2	1-3/32	1-5/8	2-13/16	4	4-3/4	3/8
212	50mm	27.8	41.3	71.4	101.6	120.7	3/8
	2-3/16	1-9/32	1-5/8	3-1/2	4-15/16	5-3/4	7/16
212	2-7/16, 2-1/2	1-9/32	1-3/4	3-1/8	4-7/16	5-3/8	7/16
	60mm	32.5	41.3	88.9	125.4	146.1	7/16

FEATURES/BENEFITS PAGE B17-2	SPECIFICATION/HOW TO ORDER PAGE B17-4	NOMENCLATURE PAGE B17-5	SELECTION PAGE B17-6
---------------------------------	--	----------------------------	-------------------------



SELECTION/DIMENSIONS

Sleeve Bearings - SOLIDLUBE 3/4" THRU 3" SOLIDLUBE LT WIDE SLOT TAKE-UP BEARINGS



Series	Shaft Size	LT700			LT1000			Used on Frame
		Part No.	Description	Wt.	Part No.	Description	Wt.	
204	3/4	033870	WSTU-LT7-012	2.4	033910	WSTU-LT10-012	2.4	WS-300
	20mm	034313	WSTU-LT7-20M	1.09	034323	WSTU-LT10-20M	1.09	WS-300
205	7/8	033871	WSTU-LT7-014	2.6	033911	WSTU-LT10-014	2.6	WS-300
	15/16	033872	WSTU-LT7-015	2.5	033912	WSTU-LT10-015	2.5	
	1	033873	WSTU-LT7-100	2.4	033913	WSTU-LT10-100	2.4	WS-300
	25mm	034314	WSTU-LT7-25M	1.09	034324	WSTU-LT10-25M	1.09	
206	1-1/8	033874	WSTU-LT7-102	3.2	033914	WSTU-LT10-102	3.2	WS-308
	1-3/16	033875	WSTU-LT7-103	3.1	033915	WSTU-LT10-103	3.1	
	30mm	034315	WSTU-LT7-30M	1.41	034325	WSTU-LT10-30M	1.41	WS-308
207	1-1/4	033876	WSTU-LT7-104	4.2	033916	WSTU-LT10-104	4.2	WS-308
	1-3/8	033877	WSTU-LT7-106	3.9	033917	WSTU-LT10-106	3.9	
	1-7/16	033878	WSTU-LT7-107	3.8	033918	WSTU-LT10-107	3.8	
	1-1/2	033879	WSTU-LT7-108	3.7	033919	WSTU-LT10-108	3.7	
	35mm	034316	WSTU-LT7-35M	1.77	034326	WSTU-LT10-35M	1.77	
209	1-11/16	033880	WSTU-LT7-111	6.1	033920	WSTU-LT10-111	6.1	WS-400
	1-3/4	033881	WSTU-LT7-112	6	033921	WSTU-LT10-112	6	
	40mm	034317	WSTU-LT7-40M	2.77	034327	WSTU-LT10-40M	2.77	WS-400
	45mm	034318	WSTU-LT7-45M	2.72	034328	WSTU-LT10-45M	2.72	
210	1-15/16	033882	WSTU-LT7-115	6.7	033922	WSTU-LT10-115	6.7	WS-400
	2	033883	WSTU-LT7-200	6.5	033923	WSTU-LT10-200	6.5	
	50mm	034319	WSTU-LT7-50M	2.95	034329	WSTU-LT10-50M	2.95	
211	2-3/16	033884	WSTU-LT7-203	9.8	033924	WSTU-LT10-203	9.8	WS-502
212	2-7/16	033885	WSTU-LT7-207	10.1	033925	WSTU-LT10-207	10.1	WS-502
	2-1/2	033886	WSTU-LT7-208	9.8	033926	WSTU-LT10-208	9.8	
	60mm	034320	WSTU-LT7-60M	4.58	034330	WSTU-LT10-60M	4.58	
215	2-15/16	033887	WSTU-LT7-215	13	033927	WSTU-LT10-215	13	WS-515
	3	033888	WSTU-LT7-300	12.5	033928	WSTU-LT10-300	12.5	
	70mm	034321	WSTU-LT7-70M	5.9	034331	WSTU-LT10-70M	5.9	WS-515
	75mm	034322	WSTU-LT7-75M	5.67	034332	WSTU-LT10-75M	5.67	

FEATURES/BENEFITS PAGE B17-2	SPECIFICATION/HOW TO ORDER PAGE B17-4	NOMENCLATURE PAGE B17-5	SELECTION PAGE B17-6
---------------------------------	--	----------------------------	-------------------------



SELECTION/DIMENSIONS

Sleeve Bearings - SOLIDLUBE 3/4" THRU 3 SOLIDLUBE LT WIDE SLOT TAKE-UP BEARINGS

Series	Shaft Size	A	B	C	D	E	F Dia.	G
204	3/4	1	3-11/16	17/32	2	2-3/8	3/4	3/8
	20mm	25.4	93.7	13.5	50.8	60.3	3/4	9.5
205	7/8, 15/16, 1	1-1/16	3-13/16	17/32	2	2-7/16	13/16	3/8
	25mm	27.0	96.8	13.5	50.8	61.9	13/16	9.5
206	1-1/8, 1-3/16	1- 3/16	4- 3/8	17/32	2-1/4	2-3/4	7/8	3/8
	30mm	30.2	111.1	13.5	57.2	69.9	7/8	9.5
207	1-1/4, 1-3/8	1- 5/16	4- 7/8	17/32	2-1/2	3-1/16	7/8	1/2
	1-7/16, 1-1/2							
209	35mm	33.3	123.8	13.5	63.5	77.8	7/8	23.7
	1-11/16, 1-3/4	1- 9/16	5- 5/8	11/16	3-1/4	3-7/16	1-1/8	5/8
210	40mm, 45mm	39.7	142.9	17.5	82.6	87.3	1-1/8	15.9
	1-15/16, 2	1-5/8	5-13/16	11/16	3-3/8	3-9/16	1-1/8	5/8
211	50mm	41.3	147.6	17.5	85.7	90.5	1-1/8	15.9
	2-3/16	1-3/4	6-11/16	1-1/16	3-3/4	4-3/16	1-3/8	3/4
212	2-7/16, 2-1/2	1-13/16	7-1/2	1-1/16	4	4-11/16	1-3/8	3/4
	60mm	46.0	190.5	27.0	101.6	119.1	1-3/8	19.1
215	2-15/16, 3	2-23/32	9-1/8	1-1/16	4-3/4	5-1/2	1-9/16	13/16
	70mm, 75mm	69.1	231.8	27.0	120.7	139.7	1-9/16	20.6

Series	Shaft Size	H	J	K	L	M	N	T
204	3/4	5/8	2	1-1/4	1-3/8	3	3-5/8	1-3/8
	20mm	15.9	50.8	31.8	34.9	76.2	92.1	34.9
205	7/8, 15/16, 1	5/8	2	1-5/16	1-9/16	3	3-5/8	1-3/8
	25mm	15.9	50.8	33.3	39.7	76.2	92.1	34.9
206	1-1/8, 1-3/16	5/8	2-3/16	1-7/16	1-13/16	3-1/2	4-1/8	1-5/8
	30mm	15.9	55.6	36.5	46.0	88.9	104.8	41.3
207	1-1/4, 1-3/8	5/8	2-1/2	1-7/16	2-1/8	3-1/2	4-1/8	1-5/8
	1-7/16, 1-1/2							
209	35mm	15.9	63.5	36.5	54.0	88.9	104.8	41.3
	1-11/16, 1-3/4	3/4	3-1/4	1-15/16	2-9/16	4	4-3/4	1-15/16
210	40mm, 45mm	19.1	82.6	49.2	65.1	101.6	120.7	49.2
	1-15/16, 2	3/4	3-1/4	1-15/16	2-13/16	4	4-3/4	1-15/16
211	50mm	19.1	82.6	49.2	71.4	101.6	120.7	49.2
	2-3/16	1	4	2-1/2	3-1/8	5-1/8	5-7/8	2-1/2
212	2-7/16, 2-1/2	1-1/4	4	2-1/2	3-1/2	5-1/8	5-7/8	2-1/2
	60mm	31.8	101.6	63.5	88.9	130.2	149.2	63.5
215	2-15/16, 3	1-1/4	4-3/8	2-3/4	3-15/16	5-15/16	6-11/16	2-3/4
	70mm, 75mm	31.8	111.1	69.9	100.0	150.8	169.9	69.9

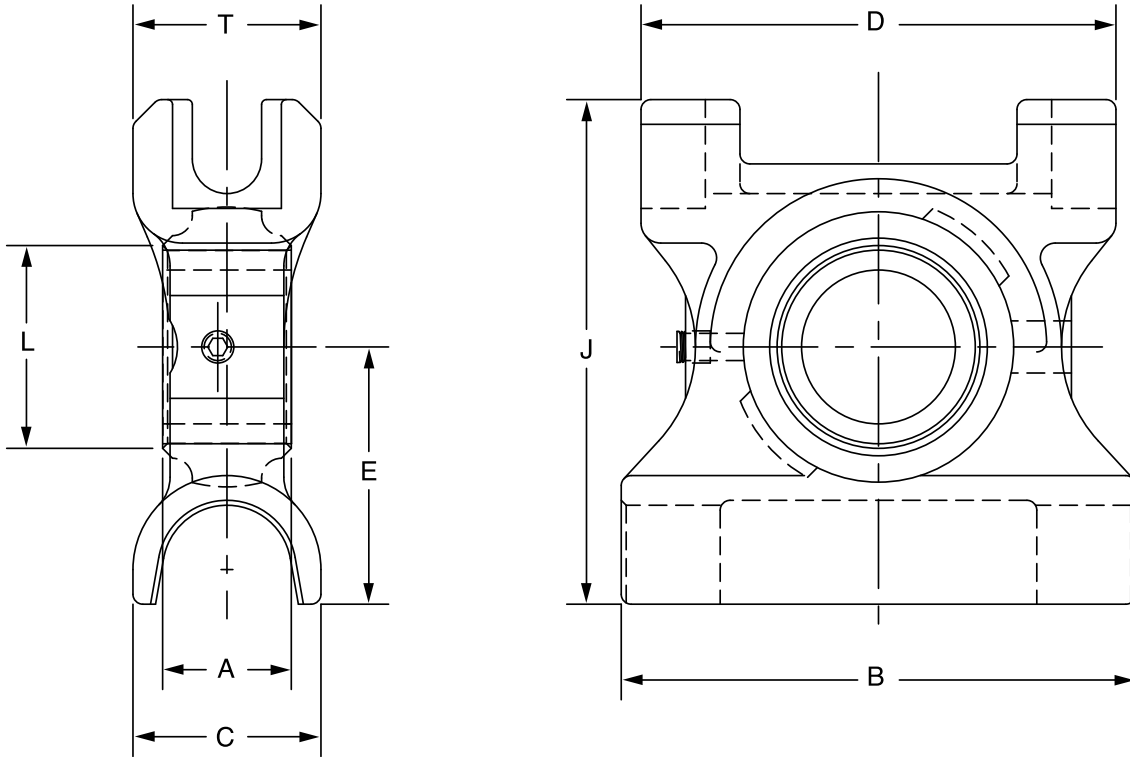
FEATURES/BENEFITS PAGE B17-2	SPECIFICATION/HOW TO ORDER PAGE B17-4	NOMENCLATURE PAGE B17-5	SELECTION PAGE B17-6
---------------------------------	--	----------------------------	-------------------------

SELECTION/DIMENSIONS



Sleeve Bearings - SOLIDLUBE

1-15/16" THRU 3" TYPE GLT SOLIDLUBE TAKE-UP BEARINGS



Shaft Size	700 Series		1000 Series		Wt.	Frame Size
	Part No.	Description	Part No.	Description		
1-15/16	033739	TP-GLT7-115	033750	TP-GLT10-115	10.1	TP10
2	033740	TP-GLT7-200	033751	TP-GLT10-200		
2-3/16	033741	TP-GLT7-203	033752	TP-GLT10-203	11.8	TP20
2-7/16	033742	TP-GLT7-207	033753	TP-GLT10-207	14.1	TP30
2-1/2	033743	TP-GLT7-208	033754	TP-GLT10-208		
2-15/16	033744	TP-GLT7-215	033755	TP-GLT10-215	17.0	TP40
3	033745	TP-GLT7-300	033756	TP-GLT10-300		

FEATURES/BENEFITS
PAGE B17-2

SPECIFICATION/HOW TO ORDER
PAGE B17-4

NOMENCLATURE
PAGE B17-5

SELECTION
PAGE B17-6



SELECTION/DIMENSIONS

Sleeve Bearings - SOLIDLUBE 1-15/16" THRU 3" TYPE GLT SOLIDLUBE TAKE-UP BEARINGS

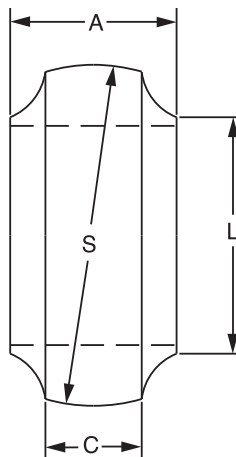
Shaft Size	A	B	C	D	E	J	L	T
1-15/16 2	1-5/8	6-1/2	2-3/8	6	3-1/4	6-3/8	2-13/16	2-3/8
2-3/16	1-3/4	7	2-1/2	6-3/4	3-3/8	6-7/8	3-1/8	2-3/8
2-7/16 2-1/2	1-13/16	7-1/2	2-3/4	7	3-1/2	7-7/16	3-1/2	2-3/4
2-15/16 3	2-23/32	8-1/2	2-1/2	8	4	8-5/16	3-15/16	2-3/4

FEATURES/BENEFITS PAGE B17-2	SPECIFICATION/HOW TO ORDER PAGE B17-4	NOMENCLATURE PAGE B17-5	SELECTION PAGE B17-6
---------------------------------	--	----------------------------	-------------------------

SELECTION/DIMENSIONS



Sleeve Bearings - SOLIDLUBE 3/4" THRU 3" SOLIDLUBE LT INSERTS



Series	Shaft Size	700 Series			1000 Series		
		Part No.	LT700 Series Description	Wt.	Part No.	LT1000 Series Description	Wt.
204	3/4	033585	INS-LT7-012	0.30	033610	INS-LT10-012	0.30
	20mm	034454	INS-LT7-20M	0.14	034455	INS-LT10-20M	0.14
205	7/8	033586	INS-LT7-014	0.50	033611	INS-LT10-014	0.50
	15/16	033587	INS-LT7-015	0.40	033612	INS-LT10-015	0.40
	1	033588	INS-LT7-100	0.30	033613	INS-LT10-100	0.30
	25mm	034456	INS-LT7-25M	0.14	034457	INS-LT10-25M	0.14
206	1-1/8	033589	INS-LT7-102	0.70	033614	INS-LT10-102	0.70
	1-3/16	033590	INS-LT7-103	0.60	033615	INS-LT10-103	0.60
	30mm	034458	INS-LT7-30M	0.32	034459	INS-LT10-30M	0.32
207	1-1/4	033591	INS-LT7-104	1.20	033616	INS-LT10-104	1.20
	1-3/8	033592	INS-LT7-106	1.00	033617	INS-LT10-106	1.00
	1-7/16	033593	INS-LT7-107	0.90	033618	INS-LT10-107	0.90
	1-1/2	033594	INS-LT7-108	0.80	033619	INS-LT10-108	0.80
	35mm	034460	INS-LT7-35M	0.45	034461	INS-LT10-35M	0.45
209	1-11/16	033595	INS-LT7-111	1.60	033620	INS-LT10-111	1.60
	1-3/4	033596	INS-LT7-112	1.40	033621	INS-LT10-112	1.40
	40mm	034462	INS-LT7-40M	0.73	034463	INS-LT10-40M	0.73
210	45mm	034464	INS-LT7-45M	0.64	034465	INS-LT10-45M	0.64
	1-15/16	033597	INS-LT7-115	1.80	033622	INS-LT10-115	1.80
	2	033598	INS-LT7-200	1.60	033623	INS-LT10-200	1.60
211	50mm	034466	INS-LT7-50M	0.73	034467	INS-LT10-50M	0.73
	2-3/16	033599	INS-LT7-203	2.30	033624	INS-LT10-203	2.30
212	2-7/16	033600	INS-LT7-207	3.20	033625	INS-LT10-207	3.20
	2-1/2	033601	INS-LT7-208	3.00	033626	INS-LT10-208	3.00
	60mm	034468	INS-LT7-60M	1.45	034469	INS-LT10-60M	1.45
215	2-15/16	033602	INS-LT7-215	5.80	033627	INS-LT10-215	5.80
	3	034117	INS-LT7-300	5.50	034525	INS-LT10-300	5.50
	70mm	034470	INS-LT7-70M		034471	INS-LT10-70M	
	75mm	034472	INS-LT7-75M	2.50	034473	INS-LT10-75M	2.50

FEATURES/BENEFITS
PAGE B17-2

SPECIFICATION/HOW TO ORDER
PAGE B17-4

NOMENCLATURE
PAGE B17-5

SELECTION
PAGE B17-6



SELECTION/DIMENSIONS

Sleeve Bearings - SOLIDLUBE 3/4" THRU 3" SOLIDLUBE LT INSERTS

Plummer Blocks

Sleeve Bearings

SLEEVOIL

Take-Up Frames

Engineering

Part Number Index

Keyword Index

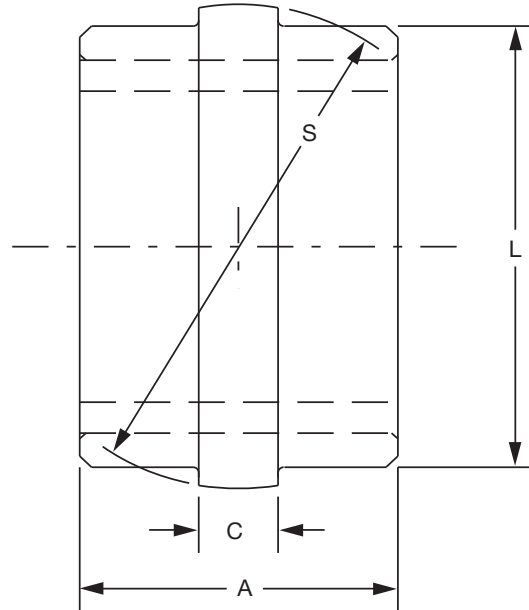
Series	Shaft Size	A	C	L	S
204	3/4	1	5/8	1-3/8	1.8445/1.8425
	20mm	25.4	15.9	34.9	46.850 / 46.800
205	7/8	1-1/16	5/8	1-9/16	2.0415/2.0395
	15/16				
	1 25mm	27.0	15.9	39.7	51.854 / 51.803
206	1-1/8	1-3/16	11/16	1-13/16	2.435/2.433
	1-3/16				
	30mm	30.2	17.5	46.0	61.849 / 61.798
207	1-1/4	1-5/16	13/16	2-1/8	2.829/2.827
	1-3/8				
	1-7/16	33.3	20.6	54.0	71.857 / 71.806
	1-1/2 35mm				
209	1-11/16	1-9/16	13/16	2-9/16	3.3415/3.3395
	1-3/4				
	40mm 45mm	39.7	20.6	65.1	84.874 / 84.823
210	1-15/16	1-5/8	7/8	2-13/16	3.5375/3.5355
	2 50mm				
211	2-3/16	1-3/4	15/16	3-1/8	3.932/3.930
212	2-7/16	1-13/16	1-1/16	3-1/2	4.326/4.324
	2-1/2				
	60mm	46.0	27.0	88.9	109.880 / 109.830
215	2-15/16	2-23/32	1-3/16	3-15/16	5.1135/5.1115
	3				
	70mm 75mm	69.1	30.2	100.0	129.883 / 129.832

FEATURES/BENEFITS PAGE B17-2	SPECIFICATION/HOW TO ORDER PAGE B17-4	NOMENCLATURE PAGE B17-5	SELECTION PAGE B17-6
---------------------------------	--	----------------------------	-------------------------



SELECTION/DIMENSIONS

Sleeve Bearings - SOLIDLUBE 3-7/16" THRU 5" SOLIDLUBE MM BEARING INSERTS



Shaft Size	700 Series		1000 Series		Wt.
	Part No.	Description	Part No.	Description	
3-7/16	034438	INS-MM7-307	034439	INS-MM10-307	6.4
3-1/2	034440	INS-MM7-308	034441	INS-MM10-308	6.2
3-15/16	034442	INS-MM7-315	034443	INS-MM10-315	10.0
4	034444	INS-MM7-400	034445	INS-MM10-400	9.8
4-7/16	034446	INS-MM7-407	034447	INS-MM10-407	20.0
4-1/2	034448	INS-MM7-408	034449	INS-MM10-408	19.7
4-15/16	034450	INS-MM7-415	034451	INS-MM10-415	27.0
5	034452	INS-MM7-500	034453	INS-MM10-500	26.5

Shaft Size	Wt.	A	C	L Dia.	S Spherical Dia.
3-7/16	6.4	3-1/2	7/8	4-7/8	5.182/5.180
3-1/2	6.2				
3-15/16	10.0	4	1-1/8	5-5/8	6.057/6.055
4	9.8				
4-7/16	20.0	4-1/2	1-1/4	6-15/16	7.370/7.367
4-1/2	19.7				
4-15/16	27.0	5	1-3/8	7-9/16	7.995/7.992
5	26.5				

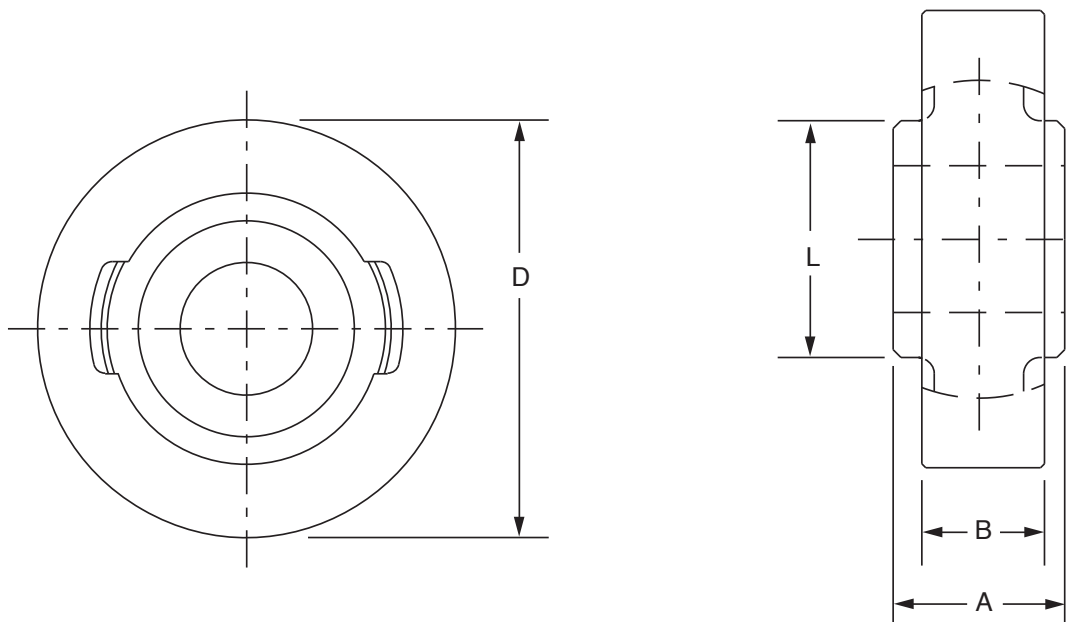
◆ No Published Metric Dimensions For This Product

FEATURES/BENEFITS PAGE B17-2	SPECIFICATION/HOW TO ORDER PAGE B17-4	NOMENCLATURE PAGE B17-5	SELECTION PAGE B17-6
---------------------------------	--	----------------------------	-------------------------



SELECTION/DIMENSIONS

Sleeve Bearings - SOLIDLUBE 7/8" THRU 1-1/2" SOLIDLUBE LT CYLINDRICAL UNITS



Shaft Size	LT700			LT1000		
	Part Number	Description	Wt.	Part Number	Description	Wt.
7/8	033961	CYL-LT7-014	1.5	422596	CYL-LT10-014	1.5
15/16	033960	CYL-LT7-015		422595	CYL-LT10-015	
1	033962	CYL-LT7-100		422597	CYL-LT10-100	
1-1/8	033963	CYL-LT7-102	29.0	492598	CYL-LT10-102	2.9
1-3/16	033964	CYL-LT7-103		422599	CYL-LT10-103	
1-1/4	033965	CYL-LT7-104	3.0	422600	CYL-LT10-104	3.0
1-3/8	033966	CYL-LT7-106		422601	CYL-LT10-106	
1-7/16	033967	CYL-LT7-107		422602	CYL-LT10-107	
1-1/2	033968	CYL-LT7-108		422603	CYL-LT10-108	

Shaft Size	A	B	D Dia. +.000 -.002	L
7/8	1-1/16	27/32	3-1/8	1- 9/16
15/16				
1				
1-1/8	1-3/16	15/16	3-1/2	1-13/16
1-3/16				
1-1/4	1- 5/16	1-1/16	3-7/8	2-1/8
1-3/8				
1-7/16				
1-1/2				

◆ No Published Metric Dimensions For This Product

FEATURES/BENEFITS PAGE B17-2	SPECIFICATION/HOW TO ORDER PAGE B17-4	NOMENCLATURE PAGE B17-5	SELECTION PAGE B17-6
---------------------------------	--	----------------------------	-------------------------

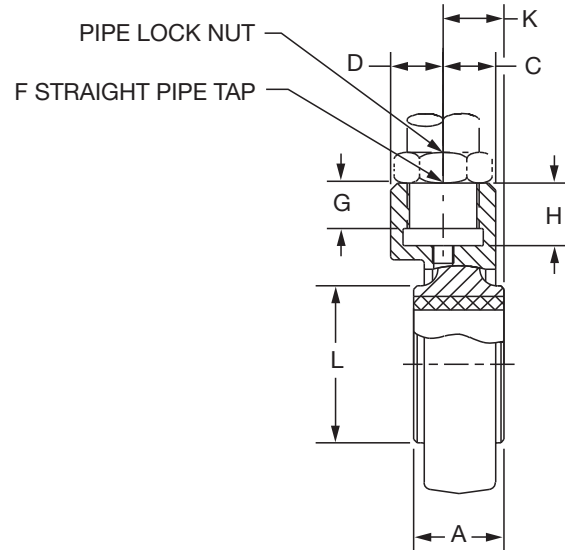
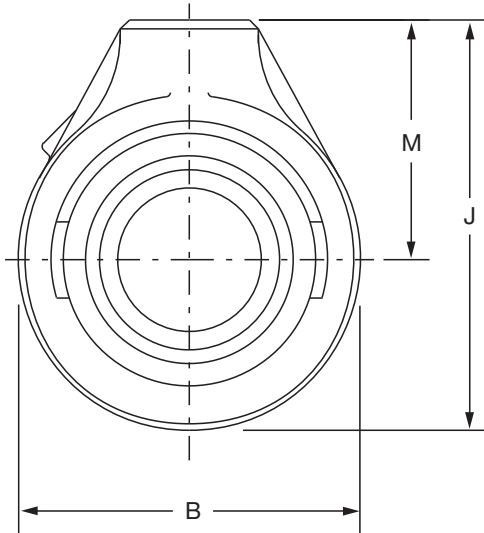


SELECTION/DIMENSIONS

Sleeve Bearings - SOLIDLUBE

1-15/16" THRU 2-1/2"

SOLIDLUBE LT SCREW CONVEYOR HANGER BEARING



Series	Shaft Size	LT700 Series			LT1000 Series		
		Part No.	Description	Wt.	Part No.	Description	Wt.
210	1-15/16	033937	SCHB-LT7-115	5.8	033952	SCHB-LT10-115	1.9
	2	033938	SCHB-LT7-200	5.7	033953	SCHB-LT10-200	2.0
212	2-7/16	033939	SCHB-LT7-207	7.1	033954	SCHB-LT10-207	5.0
	2-1/2	033940	SCHB-LT7-208	7.0	033955	SCHB-LT10-208	4.8

Series	Shaft Size	A	B	C	D	F#	G	H	J	K	L	M
210	1-15/16	1-5/8	4-5/8	7/8	15/16	1	13/16	1-1/8	5-9/16	1-3/32	2-13/16	3-1/4
	2											
212	2-7/16	1-13/16	5-1/2	1-5/32	1-5/32	1-1/4	1-1/8	1-7/16	6-3/4	1-1/4	3-1/2	4
	2-1/2											

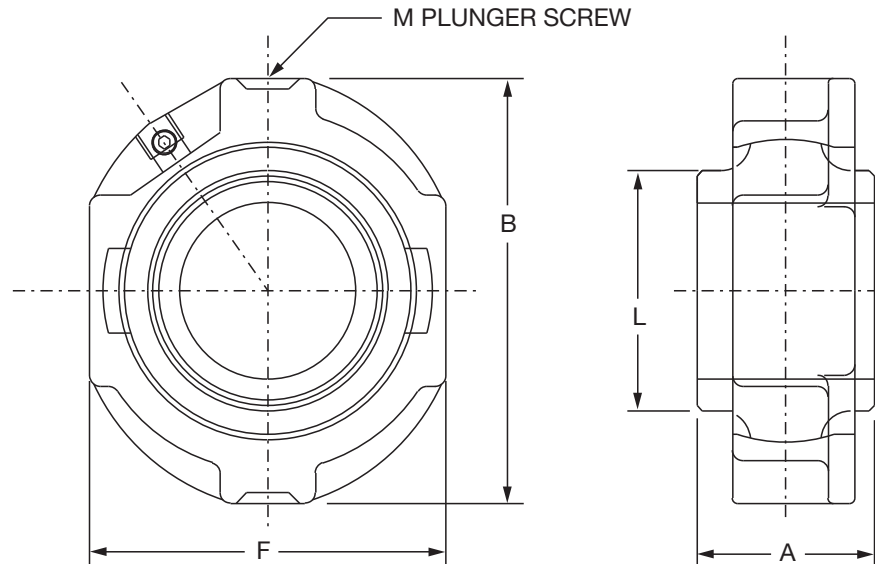
◆ No Published Metric Dimensions For This Product

FEATURES/BENEFITS PAGE B17-2	SPECIFICATION/HOW TO ORDER PAGE B17-4	NOMENCLATURE PAGE B17-5	SELECTION PAGE B17-6
---------------------------------	--	----------------------------	-------------------------



SELECTION/DIMENSIONS

Sleeve Bearings - SOLIDLUBE 1-1/8" THRU 2" SOLIDLUBE LT HANGER BEARINGS



Shaft Size	LT700		LT1000		Wt.
	Part No.	Description	Part No.	Description	
1-1/8	033890	HNG-LT7-102	033900	HNG-LT10-102	1.9
1-3/16	033891	HNG-LT7-103	033901	HNG-LT10-103	2.0
1-1/4	033892	HNG-LT7-104	033902	HNG-LT10-104	3.1
1-3/8	033893	HNG-LT7-106	033903	HNG-LT10-106	3.0
1-7/16	033894	HNG-LT7-107	033904	HNG-LT10-107	2.9
1-1/2	033895	HNG-LT7-108	033905	HNG-LT10-108	2.8
1-15/16	033896	HNG-LT7-115	033906	HNG-LT10-115	5.0
2	033897	HNG-LT7-200	033907	HNG-LT10-200	4.8

Shaft Size	A	B	F	L	M
1-1/8	1-3/16	3-5/8	3	1-13/16	1/2
1-3/16					
1-1/4	1-5/16	4-1/4	3-1/2	2-1/8	1/2
1-3/8					
1-7/16					
1-1/2					
1-15/16	1-5/8	5	4-3/16	2-13/16	5/8
2					

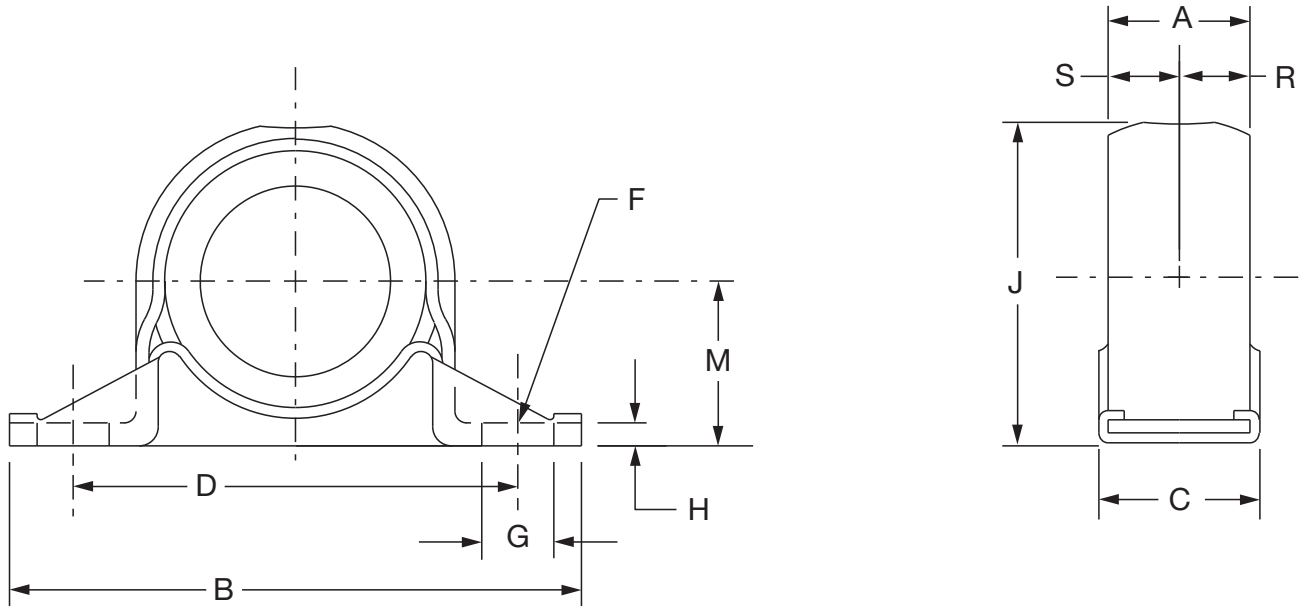
◆ No Published Metric Dimensions For This Product

FEATURES/BENEFITS PAGE B17-2	SPECIFICATION/HOW TO ORDER PAGE B17-4	NOMENCLATURE PAGE B17-5	SELECTION PAGE B17-6
---------------------------------	--	----------------------------	-------------------------



SELECTION/DIMENSIONS

Sleeve Bearings - SOLIDLUBE 3/4" THRU 1-1/2" SOLIDLUBE LM800 PILLOW BLOCKS



Shaft Size	Part No.	Description	Wt.	A	B	C	D
3/4	033692	P2B-LM8-012	.70				
1	033693	P2B-LM8-100	.22	1	4	1-7/32	3
1-1/4	033694	P2B-LM8-104	.70	1-1/8	4-1/2	1-11/32	3-1/2
1-1/2	033695	P2B-LM8-108	.50				

Shaft Size	F Bolt Dia.	G	H	J	M	R	S
3/4							
1	3/8	9/16	5/32	2-1/16	1-1/16	1/2	1/2
1-1/4	3/8	9/16	5/32	2-9/16	1-5/16	9/16	9/16
1-1/2							

◆ No Published Metric Dimensions For This Product

Plummer Blocks

Sleeve Bearings

SLEEVOIL

Take-Up Frames

Engineering

Part Number Index

Keyword Index

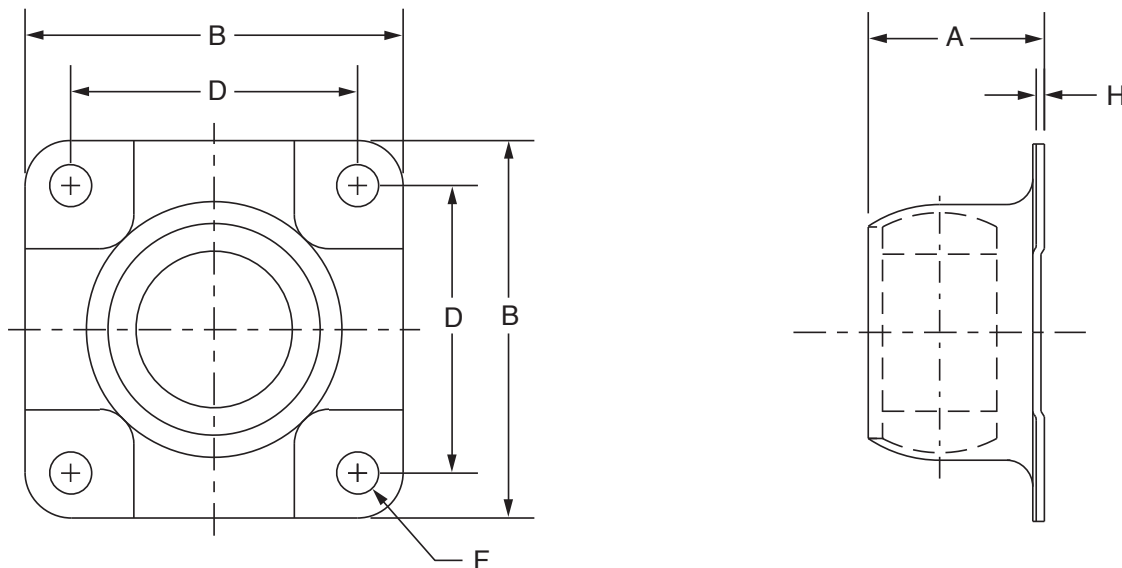
FEATURES/BENEFITS PAGE B17-2	SPECIFICATION/HOW TO ORDER PAGE B17-4	NOMENCLATURE PAGE B17-5	SELECTION PAGE B17-6
---------------------------------	--	----------------------------	-------------------------



SELECTION/DIMENSIONS

Sleeve Bearings - SOLIDLUBE

3/4" THRU 1-1/2" SOLIDLUBE LM800 4-BOLT FLANGE BEARING



Shaft Size	Part No.	Description	Wt.	A
3/4	033696	F4B-LM8-012	.50	1-9/32
1	033697	F4B-LM8-100	.36	1-9/32
1-1/4	033698	F4B-LM8-104	.50	1-11/16
1-1/2	033699	F4B-LM8-108	.50	1-11/16

Shaft Size	B	D	F Bolt Dia	H
3/4	3-1/8	2-1/4	3/8	1/16
1	3-5/8	2-3/4	3/8	1/16
1-1/4	3-5/8	2-3/4	3/8	1/16
1-1/2	3-5/8	2-3/4	3/8	1/16

◆ No Published Metric Dimensions For This Product

FEATURES/BENEFITS PAGE B17-2	SPECIFICATION/HOW TO ORDER PAGE B17-4	NOMENCLATURE PAGE B17-5	SELECTION PAGE B17-6
---------------------------------	--	----------------------------	-------------------------



SELECTION

Sleeve Bearings - Babbitted and Bronze-Bushed

General Information

SCOPE-for Stock Babbitted and Bronze Bushed Bearings, Pillow Blocks and Take-Ups of the Rigid, Grease Lubricated Type.

Important-Referring to Table 1 on the opposite page: Table 1 ratings apply to the following DODGE Babbitted Sleeve Bearings:

- Solid Journals
- Split Babbitted Journals
- Rigid Babbitted Pillow Blocks
- Angle Babbitted Pillow Blocks
- Plate Type Flange Bearings
- Type H Take-Ups
- Type A and B Take-Ups

Table 2 ratings apply to DODGE Bronze Bushed Pillow Blocks:

- Split Bronze Bushed Journals
- Rigid Bronze Bushed Pillow Blocks
- Angle Bronze Bushed Pillow Blocks

Note - Ratings do not apply to BRONZOIL, or SOLIDLUBE pillow blocks.

Babbitted and bronze-bushed journal bearings DO NOT include grease fittings.

Reference - Flush type reducer bushings to be used with Part Number **405015** 1/8 NPT grease fitting:

To order 1/8 NPT grease fitting, confirm pipe tap dimension on bearing dimension page. If the pipe tap is 1/8, a flush type reducer bushing is not required. If the pipe tap is 1/4, 3/8 or 1/2; order the appropriate size flush type reducer bushing in addition to p/n 405015.

Part No.	Description
430081	1/2 x 1/8
430086	3/8 x 1/8
430087	1/4 x 1/8

Selection - Select a bearing from rating tables having a radial load equal to or greater than the Actual Radial Load, provided that operating conditions numbered 1 thru 7 are met.

If these conditions cannot be met, select a bearing for an Equivalent Radial Load to be obtained by multiplying the Actual Radial Load by a service factor depending on the specific application. Use a factor of up to 2.0 for areas in the rating table to the left of the zigzag line. Use a factor of up to 3.0 for areas to the right of the zigzag line.

Load ratings are based on industry standard ratings established by the Mechanical Power Transmission Association. (Standard No. 401)

Operating Conditions

1. Maintain adequate grease lubrication.
2. Maintain proper bearing alignment for uniform distribution of load under all operating conditions.
3. Normal running loads must not exceed ratings shown in the load tables. Starting and occasional peak loads should not exceed ratings by more than 100%.
4. Direction of load should not be closer than 30° to grease groove or closer than 30° to the joint between cap and base. If direction of load falls within this area which is not recommended, decrease maximum load by 50%.
5. The shaft journal surface finish must be equal to that of commercial steel shafting (about 32 micro inches) and the diameter within the tolerances of commercial steel shafting (+.000 / -.002)
6. Ambient temperature should not exceed 130°F for babbitted polymer limits and 300°F for bronze-bushed bearings. If the shaft transmits heat from a source such as an oven, the shaft temperature at the bearing should not exceed these ambient temperatures.
7. Bearings should be protected against adverse operating conditions.

FEATURES/BENEFITS PAGE B17-2	SPECIFICATION/HOW TO ORDER PAGE B17-4	NOMENCLATURE PAGE B17-5	SELECTION/DIMENSIONS PAGE B17-10
---------------------------------	--	----------------------------	-------------------------------------



Sleeve Bearings - Babbitted and Bronze-Bushed

Radial Load Ratings
(Refer To Instructions On Opposite Page)

Table 1: MPTA Radial Load Ratings for Babbitted Sleeve Bearings

Shaft Sizes	Radial Load Rating in Lbs. at Various Revolutions Per Minute															
	10	50	100	150	200	250	300	350	400	450	500	600	700	800	900	1000
1/2	100	100	100	95	95	95	95	95	90	90	90	85	85	85	80	80
5/8	150	150	145	145	140	140	135	135	135	130	130	125	120	115	110	110
3/4	180	175	175	170	170	165	160	160	155	155	150	145	140	130	125	120
7/8	260	255	250	245	240	235	230	225	220	215	210	200	190	180	150	...
15/16	280	275	265	260	255	250	245	240	235	225	220	210	200	185	105	...
1	295	290	285	280	270	265	260	250	245	240	230	220	205
1-1/8	415	410	400	390	380	370	355	345	335	325	315	295	245
1-3/16, 1-1/4	440	430	420	410	395	385	375	360	350	340	325	305	190
1-5/16, 1-3/8	585	570	555	535	520	505	485	470	455	435	420	345
1-7/16, 1-1/2	640	625	605	585	565	545	525	500	480	460	440	205
1-11/16, 1-3/4	875	850	820	785	755	720	690	655	625	590	340
1-15/16, 2	1150	1110	1060	1010	965	915	865	815	730	335
2-3/16, 2-1/4	1460	1400	1330	1260	1190	1120	1050	975	410
2-7/16, 2-1/2	1800	1730	1630	1530	1430	1340	1240	645
2-11/16, 2-3/4	2190	2080	1950	1820	1690	1560	1150	110
2-15/16, 3	2600	2470	2300	2130	1960	1790	675
3-7/16, 3-1/2	3550	3330	3060	2790	2520	1200
3-15/16, 4	4640	4310	3910	3500	2760
4-7/16, 4-1/2	5870	5410	4830	4250	1410
4-15/16, 5	7240	6600	5810	5010
5-7/16, 5-12	8750	7900	6840	4360	For speeds lower than 10 rpm consult DODGE.											
5-15/16, 6	10410	9300	7910	2390												
6-7/16, 6-1/2	12200	10790	9020	...												
6-15/16, 7	14120	12360	10150	...												
7-7/16, 7-1/2	17270	14950	12050	...												
7-15/16, 8	18390	15750	10710	...												
9	20750	17360	4140	...												
10	22950	18760												
12	30700	23190												

For speeds lower than 10 rpm consult DODGE.

FEATURES/BENEFITS PAGE B17-2	SPECIFICATION/HOW TO ORDER PAGE B17-4	NOMENCLATURE PAGE B17-5	SELECTION/DIMENSIONS PAGE B17-10
---------------------------------	--	----------------------------	-------------------------------------



SELECTION

Sleeve Bearings - Babbitted and Bronze-Bushed

Radial Load Ratings
(Refer To Instructions On Page B17-34)

Table 2: MPTA Radial Load Ratings for Bronze Bushed Sleeve Bearings

Shaft Sizes	Radial Load Rating in Lbs. at Various Revolutions Per Minute															
	10	50	100	150	200	250	300	350	400	450	500	600	700	800	900	1000
1/2	170	170	165	165	165	165	165	160	160	160	160	155	155	150	150	145
5/8	250	250	245	245	245	240	240	235	235	235	230	225	220	220	215	210
3/4	300	300	295	295	290	285	285	280	280	275	270	265	260	255	250	240
7/8	435	430	425	420	415	410	405	400	395	390	385	375	365	355	325	245
15/16	465	460	455	450	445	435	430	425	420	415	410	395	385	375	295	200
1	495	490	485	480	470	465	460	450	445	440	430	420	405	360	255	150
1-1/8	700	690	680	670	660	650	640	630	620	605	595	575	525	360	195	...
1-3/16, 1-1/4	735	730	715	705	695	680	670	660	645	635	625	600	485	300	115	...
1-5/16, 1-3/8	980	965	950	930	915	895	880	865	845	830	815	735	465	195
1-7/16, 1-1/2	1070	1050	1030	1010	995	975	955	935	915	895	875	635	315
1-11/16, 1-3/4	1470	1440	1410	1370	1340	1310	1280	1240	1210	1180	930	410
1-15/16, 2	1920	1880	1830	1790	1740	1690	1640	1590	1500	1110	715
2-3/16, 2-1/4	2440	2390	2320	2240	2170	2100	2030	1960	1390	830	265
2-7/16, 2-1/2	3020	2940	2850	2750	2650	2560	2460	1860	1090
2-11/16, 2-3/4	3660	3560	3430	3300	3170	3040	2620	1580	545
2-15/16, 3	4370	4230	4060	3890	3720	3550	2440
3-7/16, 3-1/2	5960	5740	5470	5200	4930	3610	1440
3-15/16, 4	7790	7460	7060	6650	5910
4-7/16, 4-1/2	9860	9400	8820	8240	5400
4-15/16, 5	12180	11540	10740	9950	4090
5-7/16, 5-1/2	14740	13880	12820	10340	1820	For speeds lower than 10 rpm consult DODGE.										
5-15/16, 6	17530	16420	15040	9520	...											
6-7/16, 6-1/2	20560	19150	17390	7900	...											
6-15/16, 7	23840	22070	19870	5350	...											
7-7/16, 7-1/2	29170	26850	23950	1880	...											
7-15/16, 8	31090	28450	23410											
9	35150	31760	18540											
10	38950	34760	2220											
12	52300	45520											

FEATURES/BENEFITS PAGE B17-2	SPECIFICATION/HOW TO ORDER PAGE B17-4	NOMENCLATURE PAGE B17-5	SELECTION/DIMENSIONS PAGE B17-10
---------------------------------	--	----------------------------	-------------------------------------

Plumber Blocks

Sleeve Bearings

SLEEVOIL

Take-Up Frames

Engineering

Part Number Index

Keyword Index



SELECTION

Sleeve Bearings - Bronze Bushings



U.S. PATENT NO. 3.071.419



Lower half of new bushing is installed by relieving shaft pressure, prying out old bushing and rolling in new one.



New bushing upper half is easily dropped into bearing cap. Grease grooves in the top of bore offer adequate lubrication.

- For Split Bronze Bushed Journal Bearings.
- For Rigid Bronze Bushed Pillow Blocks.
- For Angle Bronze Bushed Pillow Blocks.

These precision bushings are machined from quality cast cylinders of high grade leaded bronze. They are furnished in matched halves and sold in complete sets only. Grease grooves are provided in the top half for proper lubrication. Bushings are designed to be installed in the bearings listed above without removing the shaft or bearing base. A brass locking spool positions the bushing preventing lateral movement or rotation. This simple method minimizes down time and labor costs. They are particularly suited for heavy loads, elevated temperatures and corrosive conditions.

Bushings made of special alloys can be furnished where especially difficult heat problems may arise. They will be priced on application.

Bronze Bushing Sets ♣

Shaft Size	Bushings Sets†		Locking Spools*
	Part No.	Wt.	Part No.
1-15/16	005055	1.70	005050
2-3/16	005056	2.10	
2-7/16	005057	2.50	
2-11/16	005058	3.10	
2-15/16	005059	3.60	
3-7/16	005060	4.90	
3-15/16	005061	9.70	005051
4-7/16	005062	14	
4-15/16	005063	15	
5-7/16	005064	18	005052
5-15/16	005065	21	
6-1/2	005066	28	005053
7	005067	33	
7-1/2	005117	37	
8	005068	42	

♣ For other bushing material consult DODGE

† Part number is for one bushing set which includes upper and lower half

* Order separately if desired

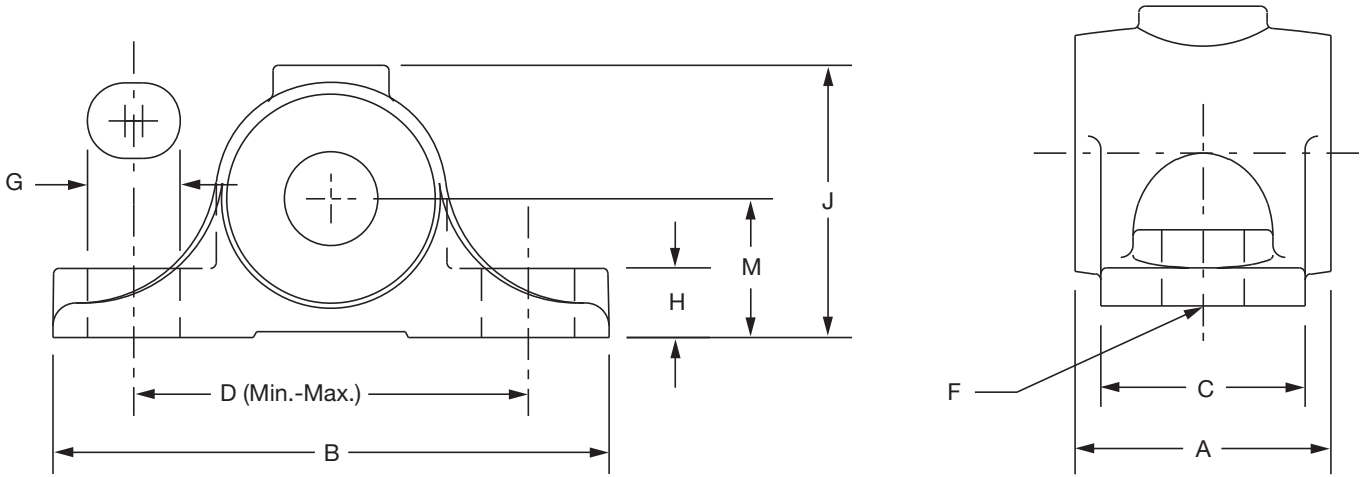
FEATURES/BENEFITS PAGE B17-2	SPECIFICATION/HOW TO ORDER PAGE B17-4	NOMENCLATURE PAGE B17-5	SELECTION/DIMENSIONS PAGE B17-10
---------------------------------	--	----------------------------	-------------------------------------



SELECTION/DIMENSIONS

Sleeve Bearings - Babbitted

1/2" THRU 3-7/16" SOLID BABBITTED JOURNAL BEARINGS



Shaft Size	Part No.	Description	Wt.	Frame	A	B	C	D	
								Min.	Max.
1/2	006102	P2B-BASO-008	0.6	LD-10	1-1/4	3	1	2-1/32	2-7/32
5/8	006104	P2B-BASO-010	1.0	LD-10	1-1/2	3-1/2	1-1/8	2-13/32	2-19/32
3/4	006107	P2B-BASO-012	0.9						
7/8	006109	P2B-BASO-014	1.7	LD-10	1-7/8	4	1-1/2	2-7/8	3-1/8
15/16	006110	P2B-BASO-015	1.6						
1	006111	P2B-BASO-100	1.5						
1-1/8	006113	P2B-BASO-102	2.7	LD-10	2-3/8	4-3/4	1-3/4	3-3/8	3-5/8
1-3/16	006114	P2B-BASO-103	2.6						
1-1/4	006115	P2B-BASO-104	2.5						
1-5/16	006117	P2B-BASO-105	4.4	...	2-7/8	5-1/2	2	3-7/8	4-1/8
1-3/8	006118	P2B-BASO-106	4.2						
1-7/16	006119	P2B-BASO-107	4.0						
1-1/2	006120	P2B-BASO-108	3.8						
1-11/16	006124	P2B-BASO-111	6.0	LD-20	3-3/8	6-1/4	2-1/4	4-11/32	4-21/32
1-3/4	006125	P2B-BASO-112	5.8						
1-15/16	006128	P2B-BASO-115	8.2	...	3-7/8	7	2-1/2	5-1/8	5-3/8
2	006129	P2B-BASO-200	8.0						
2-3/16	006132	P2B-BASO-203	12	...	4-3/8	7-3/4	2-3/4	5-1/2	6
2-7/16	006136	P2B-BASO-207	15	...	4-7/8	8-1/2	3	6	6-1/2
2-11/16	006140	P2B-BASO-211	19	...	5-3/8	9-1/4	3-1/4	6-1/2	7
2-15/16	006144	P2B-BASO-215	25	LD-45	5-7/8	10	3-1/2	7-9/32	7-23/32
3-3/16	006148	P2B-BASO-303	33	...	6-7/8	10-3/4	4	7-5/8	8-3/8
3-7/16	006152	P2B-BASO-307	30						

◆ No Published Metric Dimensions For This Product

FEATURES/BENEFITS PAGE B17-2	SPECIFICATION/HOW TO ORDER PAGE B17-4	NOMENCLATURE PAGE B17-5	SELECTION PAGE B17-6
---------------------------------	--	----------------------------	-------------------------



SELECTION/DIMENSIONS

Sleeve Bearings - Babbitted 1/2" THRU 3-7/16" SOLID BABBITTED JOURNAL BEARINGS

Shaft Size	F Bolt	G	H	J	M	Grease Cups #		
						Pipe Tap	No. Reqd	Size
1/2	5/16	1/2	3/8	1-15/32	3/4	1/8	1	0
5/8 3/4	5/16	1/2	1/2	1-23/32	7/8	1/8	1	0
7/8 15/16 1	3/8	9/16	5/8	2	1	1/8	1	0
1-1/8 1-3/16 1-1/4	7/16	21/32	11/16	2-7/16	1-1/4	1/8	1	0
1-5/16 1-3/8 1-7/16 1-1/2	1/2	11/16	7/8	2-3/4	1-3/8	1/4	1	0
1-11/16 1-3/4	9/16	13/16	1	3-1/16	1-1/2	1/4	1	0
1-15/16 2	5/8	13/16	1-1/8	3-1/2	1-3/4	1/4	1	0
2-3/16	11/16	1-1/32	1-1/4	3-13/16	1-7/8	3/8	1	2
2-7/16	3/4	1-1/8	1-3/8	4-1/4	2-1/8	3/8	1	2
2-11/16	13/16	1-5/32	1-1/2	4-9/16	2-1/4	3/8	1	2
2-15/16	7/8	1-5/32	1-11/16	5	2-1/2	3/8	1	2
3-3/16 3-7/16	1	1-7/16	1-7/8	5-7/16	2-3/4	3/8	1	2

Grease cups or pressure fittings may be obtained thru our distributors; one required per bearing.

See page B17-34 for grease fitting and reducer bushing part numbers

Note: All blocks have two base bolts and are one piece solid housings.

◆ No Published Metric Dimensions For This Product

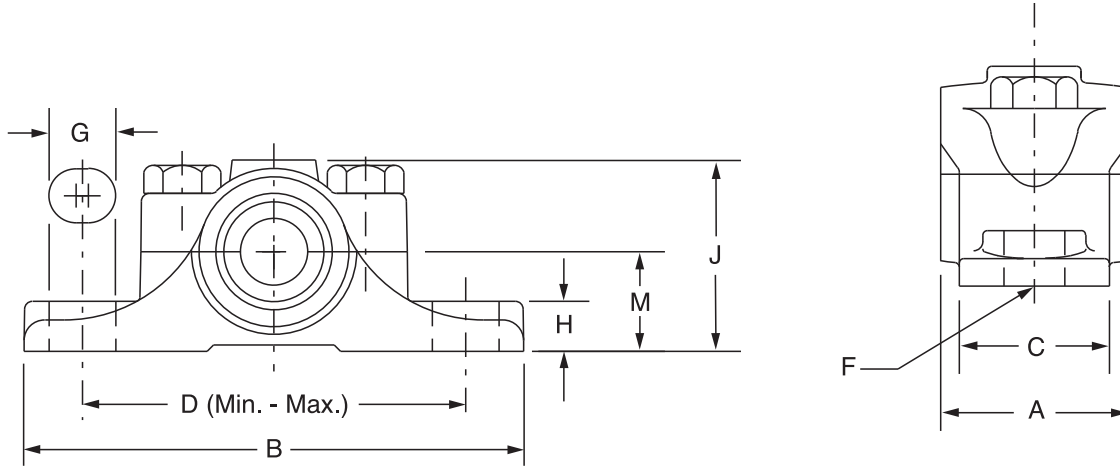
FEATURES/BENEFITS PAGE B17-2	SPECIFICATION/HOW TO ORDER PAGE B17-4	NOMENCLATURE PAGE B17-5	SELECTION PAGE B17-6
---------------------------------	--	----------------------------	-------------------------



SELECTION/DIMENSIONS

Sleeve Bearings - Babbitted

1/2" THRU 3-15/16" SPLIT BABBITTED JOURNAL BEARINGS



Shaft Size	Part No.	Description	Wt.	A	B	C	D	
							Min.	Max.
1/2	006001	P2B-BASP-008	0.8	1-1/4	3-3/4	1	2-3/4	3
5/8	006004	P2B-BASP-010	1.1	1-1/2	4-1/4	1-1/8	3-1/8	3-3/8
3/4	006007	P2B-BASP-012	1.0					
7/8	006010	P2B-BASP-014	1.9	2	4-3/4	1-1/2	3-1/2	3-3/4
15/16	006013	P2B-BASP-015	1.8					
1	006016	P2B-BASP-100	1.7					
1-1/16	006019	P2B-BASP-101	3.3	2-1/2	5-1/4	1-3/4	4	4-1/4
1-1/8	006022	P2B-BASP-102	3.2					
1-3/16	006025	P2B-BASP-103	3.1					
1-1/4	006028	P2B-BASP-104	3.0					
1-5/16	006031	P2B-BASP-105	5.0	3	6-1/4	2	4-13/16	4-15/16
1-3/8	006034	P2B-BASP-106	4.8					
1-7/16	006037	P2B-BASP-107	1.6					
1-1/2	006040	P2B-BASP-108	4.4					
1-5/8	006043	P2B-BASP-110	6.6	3-3/8	6-3/4	2-1/4	5-1/8	5-3/8
1-11/16	006046	P2B-BASP-111	6.4					
1-3/4	006049	P2B-BASP-112	6.2					
1-15/16	006052	P2B-BASP-115	8.6	4	7-1/2	2-1/2	5-15/16	6-1/16
2	006055	P2B-BASP-200	8.3					
2-3/16	006058	P2B-BASP-203	12.2	4-1/2	8-1/2	2-3/4	6-1/4	6-3/4
2-1/4	006061	P2B-BASP-204	11.9					
2-7/16	006064	P2B-BASP-207	15.6	5	9-1/4	3	6-7/8	7-3/8
2-1/2	006067	P2B-BASP-208	15.1					
2-11/16	006070	P2B-BASP-211	20.0	5-3/8	10	3-5/16	7-1/2	8
2-15/16	006073	P2B-BASP-215	24.2	6	10-3/4	3-1/2	8-1/4	8-3/4
3	006076	P2B-BASP-300	23.7					
3-7/16	006079	P2B-BASP-307	40	6-7/8	12	4	8-7/8	9-5/8
3-15/16	006082	P2B-BASP-315	53	7-7/8	13-1/2	4-1/2	10-3/32	10-29/32

◆ No Published Metric Dimensions For This Product

FEATURES/BENEFITS PAGE B17-2	SPECIFICATION/HOW TO ORDER PAGE B17-4	NOMENCLATURE PAGE B17-5	SELECTION PAGE B17-6
---------------------------------	--	----------------------------	-------------------------



SELECTION/DIMENSIONS

Sleeve Bearings - Babbitted 1/2" THRU 3-15/16" SPLIT BABBITTED JOURNAL BEARINGS

Plummer Blocks

Sleeve Bearings

SLEEVOIL

Take-Up Frames

Engineering

Part Number Index

Keyword Index

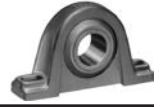
Shaft Size	F Bolt	G	H	J	M	Grease Cups #		
						Pipe Tap	No. Req'd	Size
1/2	5/16	1/2	23/64	1-15/32	3/4	1/8	1	0
5/8 3/4	5/16	1/2	1/2	1-23/32	7/8	1/8	1	0
7/8 15/16 1	3/8	9/16	9/16	2	1	1/8	1	0
1-1/16 1-1/8 1-3/16 1-1/4	7/16	5/8	5/8	2-7/16	1-1/4	1/8	1	0
1-5/16 1-3/8 1-7/16 1-1/2	9/16	11/16	3/4	2-3/4	1-3/8	1/4	1	0
1-5/8 1-11/16 1-3/4	9/16	25/32	13/16	3-1/16	1-1/2	1/4	1	0
1-15/16 2	11/16	13/16	15/16	3-1/2	1-3/4	1/4	1	0
2-3/16 2-1/4	11/16	1	1	3-13/16	1-7/8	3/8	1	2
2-7/16 2-1/2	11/16	1	1-1/8	4-1/4	2-1/8	3/8	1	2
2-11/16	13/16	1-1/8	1-3/16	4-9/16	2-1/4	3/8	1	2
2-15/16 3	13/16	1-1/8	1-5/16	5	2-1/2	3/8	1	2
3-7/16	15/16	1-3/8	1-1/2	5-3/4	2-7/8	1/2	1	3
3-15/16	1	1-1/2	1-5/8	6-7/16	3-1/8	1/2	1	3

Grease cups or pressure fittings may be obtained thru our distributors; one required per bearing.
See page B17-34 for grease fitting and reducer bushing part numbers

Note: All blocks have 2 base bolts and 2 cap bolts. Housings are split.

◆ No Published Metric Dimensions For This Product

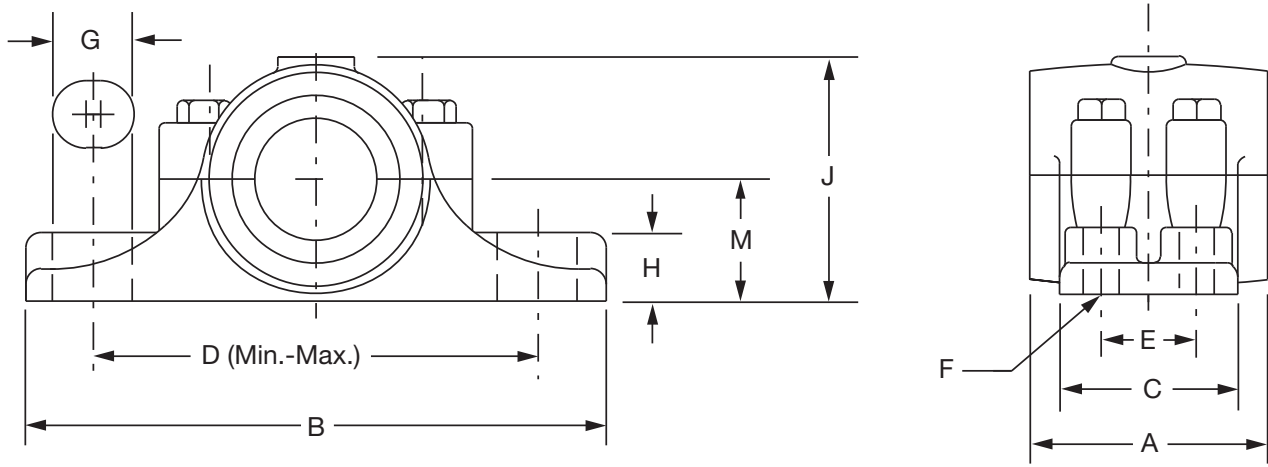
FEATURES/BENEFITS PAGE B17-2	SPECIFICATION/HOW TO ORDER PAGE B17-4	NOMENCLATURE PAGE B17-5	SELECTION PAGE B17-6
---------------------------------	--	----------------------------	-------------------------



SELECTION/DIMENSIONS

Sleeve Bearings - Babbitted

1-15/16" THRU 8" RIGID BABBITTED JOURNAL BEARINGS (SPLIT HOUSING)



Shaft Size	Part No.	Description	Wt.	A	B	C	D	
							Min.	Max.
1-15/16	004060	P4B-BAR-115	10.6	4	8-1/4	3-1/2	6-3/8	6-5/8
2	004063	P4B-BAR-200						
2-3/16	004066	P4B-BAR-203	13.2	4-1/2	8-1/2	3-1/2	6-5/8	6-7/8
2-1/4	004069	P4B-BAR-204						
2-7/16	004072	P4B-BAR-207	18.4	5	10-1/4	4	7-3/4	8-1/4
2-1/2	004075	P4B-BAR-208						
2-11/16	004078	P4B-BAR-211	22.4	5-1/2	10-1/2	4-1/4	8	8-1/2
2-15/16	004081	P4B-BAR-215						
3	004084	P4B-BAR-300	30.6	6	11	4-1/2	8-1/2	9
3-3/16	004087	P4B-BAR-303						
3-7/16	004090	P4B-BAR-307	50.2	7	13	5	10-1/8	10-7/8
3-1/2	004093	P4B-BAR-308						
3-15/16	004096	P4B-BAR-315	64	8	14-3/4	5-1/2	11-1/2	12-1/2
4-7/16	004099	P4B-BAR-407						
4-15/16	004102	P4B-BAR-415	113	10	18	7	14-3/8	15-5/8
5-7/16	004105	P4B-BAR-507						
5-15/16	004108	P4B-BAR-515	184	12	20-1/2	8-1/2	15-7/8	17-1/8
6-1/2	004113	P4B-BAR-608						
7	004114	P4B-BAR-700	310	14	23	10	18-3/8	19-5/8
7-1/2	004115	P4B-BAR-708						
8	004116	P4B-BAR-800	430	16	26	11	20-3/4	22-1/4

◆ No Published Metric Dimensions For This Product



SELECTION/DIMENSIONS

Sleeve Bearings - Babbitted

1-15/16" THRU 8" RIGID BABBITTED JOURNAL BEARINGS (SPLIT HOUSING)

Shaft Size	E	F Bolt	G	H	J	M	Grease Cups #		
							Pipe Tap	No. Reqd	Size
1-15/16 2	1-3/4	1/2	3/4	7/8	3-1/2	1-3/4	1/4	1	1
2-3/16 2-1/4	1-3/4	1/2	3/4	1	3-13/16	1-7/8	3/8	1	2
2-7/16 2-1/2	2	5/8	1	1-1/8	4-1/4	2-1/8	3/8	1	2
2-11/16	2-1/4	5/8	1	1-1/4	4-9/16	2-1/4	3/8	1	2
2-15/16 3	2-1/2	5/8	1	1-3/8	5	2-1/2	3/8	1	2
3-3/16 3-7/16 3-1/2	2-3/4	3/4	1-1/4	1-1/2	5-29/32	3-1/4	1/2	1	3
3-15/16	3	3/4	1-3/8	1-5/8	6-17/32	3-1/2	1/2	1	4
4-7/16	3-1/2	7/8	1-1/2	1-3/4	7-17/32	4-1/8	1/2	1	4
4-15/16	4	7/8	1-5/8	1-7/8	8-7/32	4-1/2	1/2	1	4
5-7/16	4-1/2	1	1-3/4	2	9-1/32	5	1/2	2	3
5-15/16	5	1-1/8	1-7/8	2-1/8	9-7/8	5-1/2	1/2	2	3
6-1/2	5-1/2	1-1/8	1-7/8	2-1/4	10-23/32	6	1/2	2	4
7	6	1-1/4	2	2-3/8	11-1/2	6-1/2	1/2	2	4
7-1/2	6-1/4	1-3/8	2-1/8	2-1/2	12-5/32	6-3/4	1/2	2	4
8	6-3/4	1-3/8	2-1/4	2-1/2	12-3/4	7	1/2	2	4

Grease cups or pressure fittings may be obtained thru our distributors; one required per bearing up thru 4-15/16" sizes and two required for balance of sizes.

See page B17-34 for grease fitting and reducer bushing part number.

Note: 1-15/16 - 3" sizes have 2 cap bolts. 3-3/16 and larger sizes have 4 cap bolts (shown in diagram). Housings are split.

◆ No Published Metric Dimensions For This Product

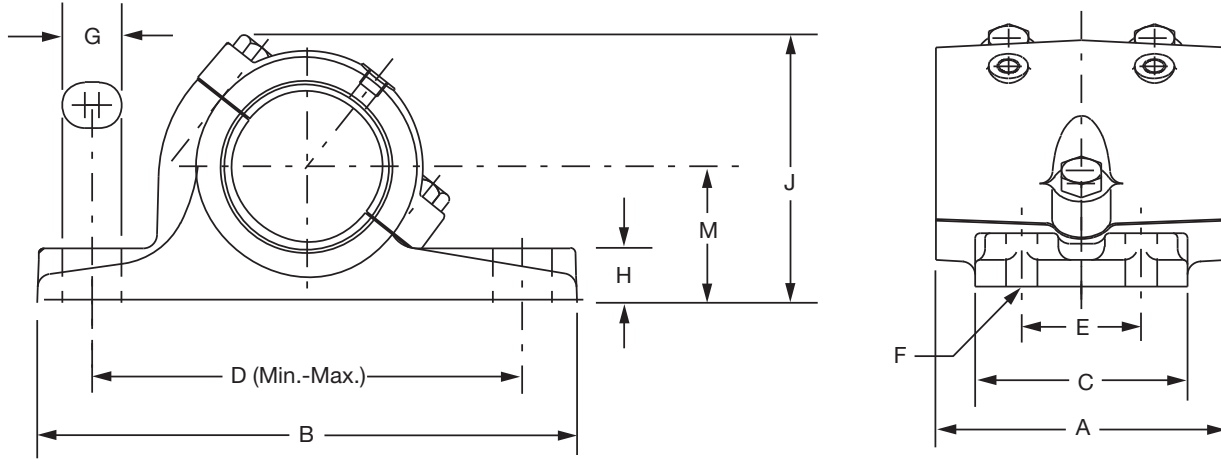
FEATURES/BENEFITS PAGE B17-2	SPECIFICATION/HOW TO ORDER PAGE B17-4	NOMENCLATURE PAGE B17-5	SELECTION PAGE B17-6
---------------------------------	--	----------------------------	-------------------------



SELECTION/DIMENSIONS

Sleeve Bearings - Babbitted

1-15/16" THRU 8" ANGLE BABBITTED PILLOW BLOCKS



Shaft Size	Part No.	Description	Wt.	Used on Frame	A	B	C	D	
								Min.	Max.
1-15/16	230050	P4B-BAA-115	11	HD-200	4	8-1/4	3-1/2	6-5/16	6-11/16
2-3/16	230053	P4B-BAA-203	14	HD-200	4-1/2	8-1/2	3-1/2	6-9/16	6-15/16
2-7/16	230056	P4B-BAA-207	20	HD-200	5	10-1/4	4	7-11/16	8-5/16
2-11/16	230059	P4B-BAA-211	24	HB-250	5-1/2	10-1/2	4-1/4	7-15/16	8-9/16
2-15/16	230062	P4B-BAA-215	28	HD-250	6	11	4-1/2	8-7/16	9-1/16
3-7/16	230065	P4B-BAA-307	47	HD-300	7	13	5	10-1/16	10-15/16
3-15/16	230068	P4B-BAA-315	61	HD-350	8	14-3/4	5-1/2	11-7/16	12-9/16
4-7/16	230071	P4B-BAA-407	84	HD-400	9	16-9/16	6-5/16	12-15/16	14-1/16
4-15/16	230074	P4B-BAA-415	112	HD-400	10	18	7	14-5/16	15-11/16
5-7/16	230077	P4B-BAA-507	154	HD-500	11	19-3/4	8	15-1/16	16-7/16
5-15/16	230080	P4B-BAA-515	184	HD-500	12	20-1/2	8-1/2	15-13/16	17-3/16
6-1/2	230134	P4B-BAA-608	220	...	13	22	9-5/8	17-3/16	18-13/16
7	230137	P4B-BAA-700	275	...	14	23	10	18-1/4	19-3/4
8	230140	P4B-BAA-800	400	...	16	26	11	20-11/16	22-5/16

◆ No Published Metric Dimensions For This Product



SELECTION/DIMENSIONS

Sleeve Bearings - Babbitted 1-15/16" THRU 8" ANGLE BABBITTED PILLOW BLOCKS

Shaft Size	E	F Bolt	G	H	J	M	Grease Cups #		
							Pipe Tap	No. Reqd	Size
1-15/16	1-3/4	1/2	3/4	7/8	4-11/16	2-1/4	1/4	1	1
2-3/16	1-3/4	1/2	3/4	1	5-1/8	2-1/2	3/8	1	2
2-7/16	2	5/8	1	1-1/8	5-9/16	2-3/4	3/8	1	2
2-11/16	2-1/4	5/8	1	1-1/4	5-7/8	3	3/8	1	2
2-15/16	2-1/2	5/8	1	1-3/8	6-3/8	3-1/4	3/8	1	2
3-7/16	2-3/4	3/4	1-1/4	1-1/2	7-1/8	3-1/2	1/2	1	3
3-15/16	3	3/4	1-3/8	1-21/32	7-1/2	3-3/4	1/2	1	4
4-7/16	3-1/2	7/8	1-1/2	1-3/4	8-1/2	4-1/8	1/2	1	4
4-15/16	4	7/8	1-5/8	1-7/8	9-3/16	4-1/2	1/2	1	4
5-7/16	4-1/2	1-1/8	1-7/8	2	10-1/4	5	1/2	2	3
5-15/16	5	1-1/8	1-7/8	2-1/8	11-1/16	5-1/2	1/2	2	3
6-1/2	5-1/2	1-1/8	2	2-1/4	12-1/8	6	1/2	2	4
7	6	1-1/8	2	2-3/8	13	6-1/2	1/2	2	4
8	6-3/4	1-3/8	2-1/4	2-1/2	14-1/16	7	1/2	2	4

Grease cups or pressure fittings may be obtained thru our distributors; one required per bearing up thru 4-15/16, sizes and two required for balance of sizes.

See page B17-34 for grease fitting and reducer bushing part number.

Note: 1-15/16 - 3-7/16" sizes have 2 cap bolts.

3-7/16 - 5-15/16" have 3 cap bolts (shown in diagram).

6-1/2" and larger sizes have 4 cap bolts.

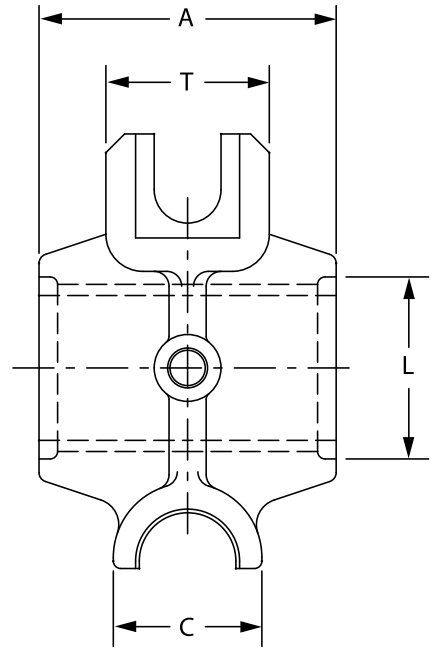
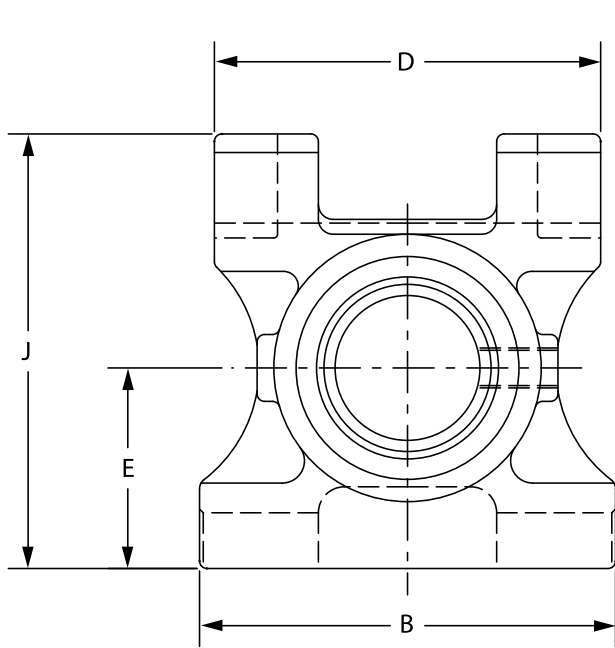
◆ No Published Metric Dimensions For This Product

FEATURES/BENEFITS PAGE B17-2	SPECIFICATION/HOW TO ORDER PAGE B17-4	NOMENCLATURE PAGE B17-5	SELECTION PAGE B17-6
---------------------------------	--	----------------------------	-------------------------



SELECTION/DIMENSIONS

Sleeve Bearings - Babbitted TYPE H BABBITTED TAKE-UP BEARINGS



Shaft Size	Part No.	Description	Frame Size
1-15/16	012215	TP-H-115	TP10
2-3/16	012216	TP-H-203	TP10
2-7/16	012217	TP-H-207	TP30
2-15/16	012218	TP-H-215	TP30
3-7/16	012219	TP-H-307	TP50
3-15/16	012220	TP-H-315	TP50

Plummer Blocks

Sleeve Bearings

SLEEVOIL

Take-Up Frames

Engineering

Part Number Index

Keyword Index

FEATURES/BENEFITS PAGE B17-2	SPECIFICATION/HOW TO ORDER PAGE B17-4	NOMENCLATURE PAGE B17-5	SELECTION PAGE B17-6
---------------------------------	--	----------------------------	-------------------------



SELECTION/DIMENSIONS

Sleeve Bearings - Babbitted TYPE H BABBITTED TAKE-UP BEARINGS

Plummer Blocks

Sleeve Bearings

SLEEVOIL

Take-Up Frames

Engineering

Part Number Index

Keyword Index

Shaft Size	Weight lbs.	Frame Size	A	B	C	D	E	J	L	T	Pipe Tap	Cup Size
1-15/16	12.5	TP10	4	6	2-3/8	5-1/2	3	6-1/8	2-7/16	2-3/8	1/4	0
2-3/16	12.6	TP10	4-1/2	6	2-3/8	5-1/2	3	6-1/8	2-3/4	2-3/8	3/8	2
2-7/16	22.4	TP30	5	7	2-1/2	6-1/2	3-3/8	7-5/16	3-1/16	2-3/4	3/8	2
2-15/16	23.6	TP30	6	7	2-1/2	6-1/2	3-3/8	7-5/16	3-9/16	2-3/4	3/8	2
3-7/16	46.0	TP50	7	9	3-1/8	8-1/2	4-1/2	9-5/8	4-3/16	3-1/8	3/8	2
3-15/16	47.2	TP50	8	9	3-1/8	8-1/2	4-1/2	9-5/8	4-11/16	3-1/8	3/8	2

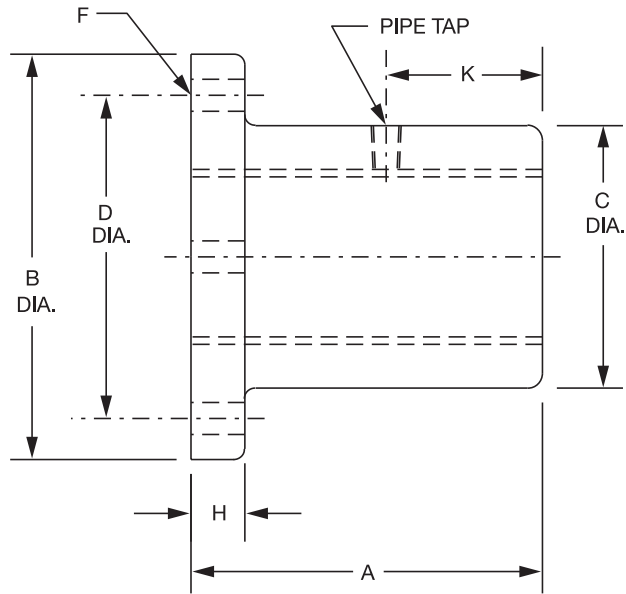
FEATURES/BENEFITS PAGE B17-2	SPECIFICATION/HOW TO ORDER PAGE B17-4	NOMENCLATURE PAGE B17-5	SELECTION PAGE B17-6
---------------------------------	--	----------------------------	-------------------------

SELECTION/DIMENSIONS



Sleeve Bearings - Babbitted

1-15/16" THRU 4-15/16" PLATE TYPE BABBITTED FLANGE BEARING



Shaft	Part No.	Description	Wt.	A	B Dia.	C Dia.	D Dia.
15/16	037001	F4B-BAP-015	2	2	4	2	3
1	037010	F4B-BAP-100					
1-3/16	037002	F4B-BAP-103	3.6	2-1/2	4-1/2	2-1/2	3-1/2
1-1/4	037011	F4B-BAP-104					
1-7/16	037003	F4B-BAP-107	5.3	3	5-1/4	2-3/4	4
1-1/2	037012	F4B-BAP-108					
1-11/16	037004	F4B-BAP-111	8.6	3-1/2	6	3-1/4	4-3/4
1-15/16	037005	F4B-BAP-115					
2	037013	F4B-BAP-200	12	4	6-1/2	3-3/4	5-1/4
2-3/16	037006	F4B-BAP-203					
2-7/16	037007	F4B-BAP-207	22	5	8	4-1/2	6-1/4
2-11/16	037017	F4B-BAP-211					
2-15/16	037009	F4B-BAP-215	35	6	9-1/2	5-1/4	7-1/2
3-7/16	037020	F4B-BAP-307					
3-15/16	037022	F4B-BAP-315	70	8	11-1/8	6-7/8	9-1/4
4-7/16	037024	F4B-BAP-407					
4-15/16	037026	F4B-BAP-415	140	10	14	8-1/2	11-1/2

◆ No Published Metric Dimensions For This Product

FEATURES/BENEFITS
PAGE B17-2

SPECIFICATION/HOW TO ORDER
PAGE B17-4

NOMENCLATURE
PAGE B17-5

SELECTION
PAGE B17-6



SELECTION/DIMENSIONS

Sleeve Bearings - Babbitted

1-15/16" THRU 4-15/16" PLATE TYPE BABBITTED FLANGE BEARING

Shaft	F Bolt		H	K	Grease Cups #	
	No.	Size			Pipe Tap	Size
15/16 1	4	3/8	3/8	3/4	1/8	0
1-3/16 1-1/4	4	3/8	7/16	1	1/8	0
1-7/16 1-1/2	4	1/2	1/2	1-1/4	1/4	0
1-11/16	4	1/2	5/8	1-1/2	1/4	0
1-15/16 2	4	1/2	11/16	1-5/8	1/4	1
2-3/16	4	5/8	3/4	1-7/8	3/8	2
2-7/16	4	5/8	7/8	2-1/8	3/8	2
2-11/16	4	3/4	1	1-3/4	3/8	2
2-15/16	4	3/4	1	2-1/4	3/8	2
3-7/16	6	3/4	1	2-3/4	1/2	3
3-15/16	6	3/4	1-1/8	3-1/4	1/2	4
4-7/16	6	7/8	1-1/4	3-3/4	1/2	4
4-15/16	6	1	1-3/8	4-1/4	1/2	4

Grease cups or pressure fittings may be obtained thru our distributors; one required per bearing.

See page B13-10 for grease fitting and reducer bushing part number.

◆ No Published Metric Dimensions For This Product

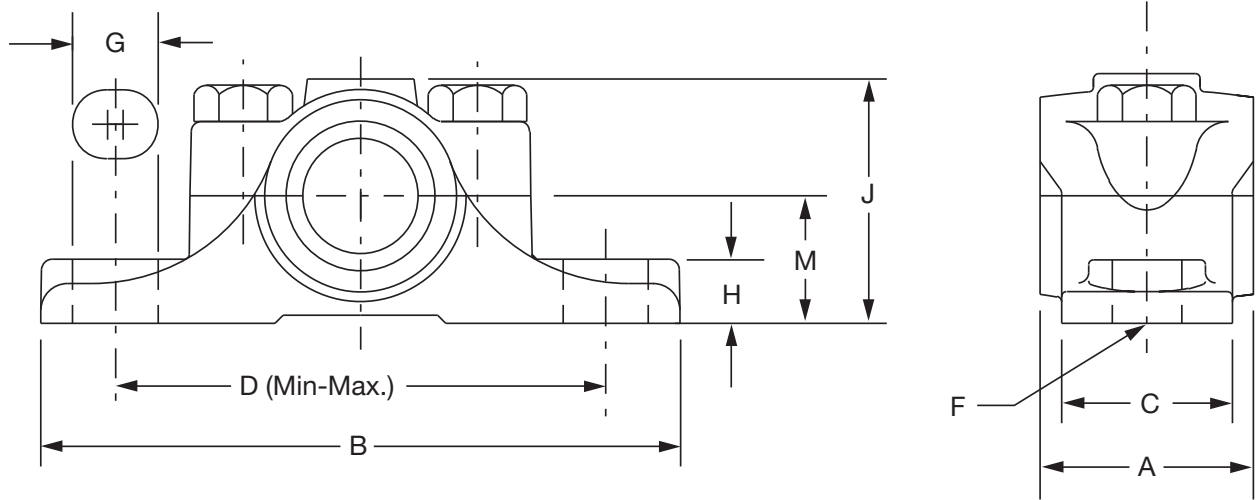
FEATURES/BENEFITS PAGE B17-2	SPECIFICATION/HOW TO ORDER PAGE B17-4	NOMENCLATURE PAGE B17-5	SELECTION PAGE B17-6
---------------------------------	--	----------------------------	-------------------------



SELECTION/DIMENSIONS

Sleeve Bearings - Bronze-Bushed

1-15/16" THRU 2-15/16" BRONZE-BUSHED SPLIT JOURNAL BEARING



Shaft Size	Part No.	Description	Wt.	A	B	C	D	
							Min.	Max.
1-15/16	005070	P2B-BZSP-115	9	3-7/8	7-1/2	2-1/2	5-15/16	6-1/16
2-3/16	005073	P2B-BZSP-203	12	4-3/8	8-1/2	2-3/4	6-1/4	6-3/4
2-7/16	005076	P2B-BZSP-207	15	4-7/8	9-1/4	3	6-7/8	7-3/8
2-11/16	005079	P2B-BZSP-211	20	5-3/8	10	3-1/4	7-1/2	8
2-15/16	005082	P2B-BZSP-215	24	6	10-3/4	3-1/2	8-1/4	8-3/4

Shaft Size	F Bolt	G	H	J	M	Grease Cups #		
						Pipe Tap	No. Req'd	Size
1-15/16	5/8	13/16	15/16	3-1/2	1-3/4	1/4	1	0
2-3/16	5/8	1	1	3-7/8	1-7/8	3/8	1	2
2-7/16	5/8	1	1-1/8	4-1/4	2-1/8	3/8	1	2
2-11/16	3/4	1-1/8	1-3/16	4-9/16	2-1/4	3/8	1	2
2-15/16	3/4	1-1/8	1-5/16	5	2-1/2	3/8	1	2

Grease cups or pressure fittings may be obtained thru our distributors; one required per bearing.

See page B17-34 for grease fitting and reducer bushing part number.

Note: All sizes have 2 bolt base and 2 cap bolts. Housings are split.

◆ No Published Metric Dimensions For This Product

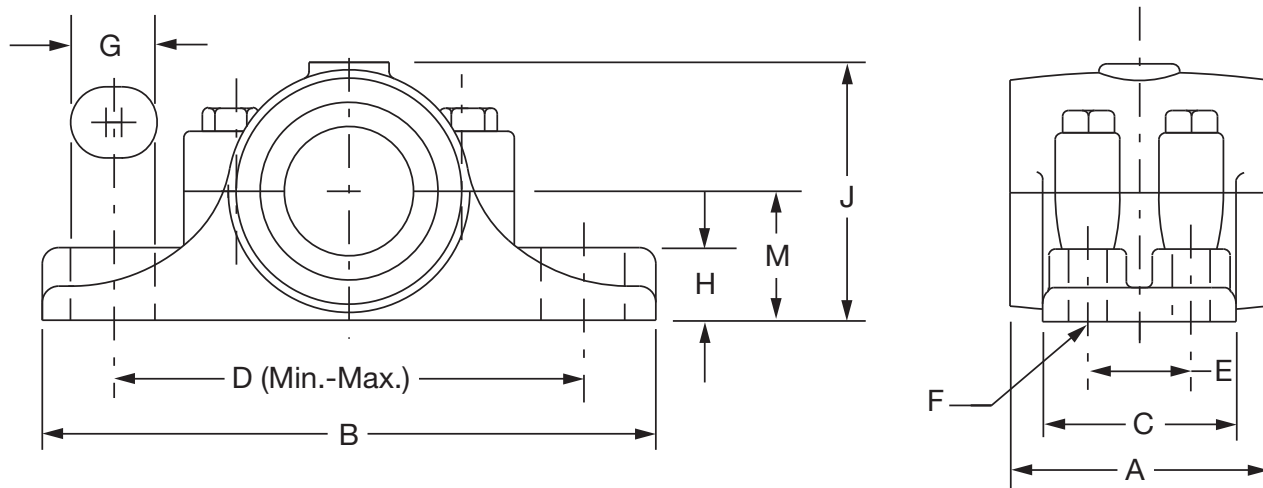
FEATURES/BENEFITS PAGE B17-2	SPECIFICATION/HOW TO ORDER PAGE B17-4	NOMENCLATURE PAGE B17-5	SELECTION PAGE B17-6
---------------------------------	--	----------------------------	-------------------------



SELECTION/DIMENSIONS

Sleeve Bearings - Bronze-Bushed

3-7/16" THRU 8" BRONZE-BUSHED RIGID SPLIT JOURNAL BEARING



Shaft Size	Part No.	Description	Wt.	A	B	C	D	
							Min.	Max.
3-7/16	005085	P4B-BZR-307	47	7	13	5	10-1/8	10-7/8
3-15/16	005088	P4B-BZR-315	64	8	14-3/4	5-1/2	11-1/2	12-1/2
4-7/16	005091	P4B-BZR-407	89	9	16-1/2	6-1/4	13	14
4-15/16	005094	P4B-BZR-415	115	10	18	7	14-3/8	15-5/8
5-7/16	005097	P4B-BZR-507	137	11	19-1/4	7-3/4	15-1/8	16-3/8
5-15/16	005100	P4B-BZR-515	180	12	20-1/2	8-1/2	15-7/8	17-1/8
6-1/2	005195	P4B-BZR-608	255	13	22	9-1/2	17-3/8	18-5/8
7	005198	P4B-BZR-700	310	14	23	10	18-3/8	19-5/8
7-1/2	005199	P4B-BZR-708	370	15	24-1/2	10-1/2	19-3/8	20-5/8
8	005201	P4B-BZR-800	430	16	26	11	20-3/4	22-1/4

Shaft Size	E	F Bolt	G	H	J	M	Grease Cups #		
							Pipe Tap	No. Reqd	Size
3-7/16	2-3/4	3/4	1-1/4	1-1/2	6-1/32	3-1/4	1/2	1	3
3-15/16	3	3/4	1-3/8	1-5/8	6-1/2	3-1/2	1/2	1	4
4-7/16	3-1/2	7/8	1-1/2	1-3/4	7-15/32	4-1/8	1/2	1	4
4-15/16	4	7/8	1-5/8	1-7/8	8-1/32	4-1/2	1/2	1	4
5-7/16	4-1/2	1	1-3/4	2	8-15/16	5	1/2	2	3
5-15/16	5	1-1/8	1-7/8	2-1/8	9-13/16	5-1/2	1/2	2	3
6-1/2	5-1/2	1-1/8	1-7/8	2-1/4	10-11/16	6	1/2	2	4
7	6	1-1/4	2	2-3/8	11-7/16	6-1/2	1/2	2	4
7-1/2	6-1/4	1-3/8	2-1/8	2-1/2	12-1/8	6-3/4	1/2	2	4
8	6-3/4	1-3/8	2-1/4	2-1/2	12-11/16	7	1/2	2	4

Grease cups or pressure fittings may be obtained thru our distributors; one required per pillow block u thru 4-15/16" sizes and two required for balance of sizes.

See page B17-34 for grease fitting and reducer bushing part number.

Note: All sizes have 4 base bolts. - 3-7/16" and larger sizes have 4 cap bolts. Housings are split.

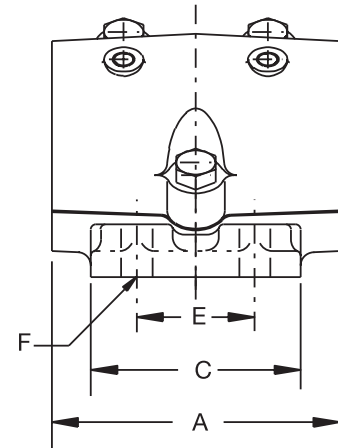
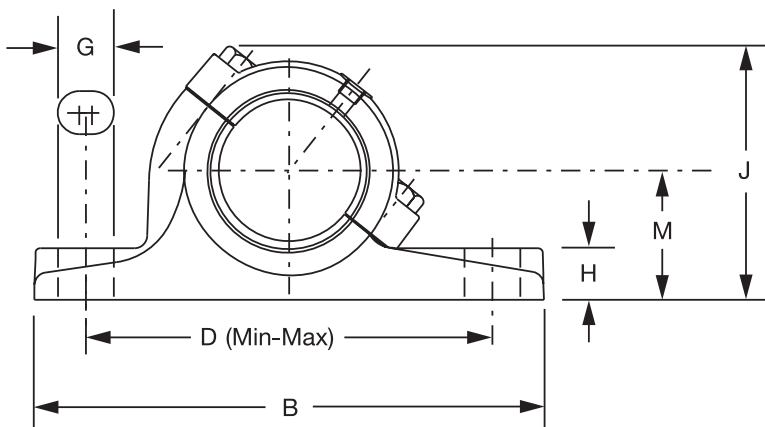
◆ No Published Metric Dimensions For This Product

FEATURES/BENEFITS PAGE B17-2	SPECIFICATION/HOW TO ORDER PAGE B17-4	NOMENCLATURE PAGE B17-5	SELECTION PAGE B17-6
---------------------------------	--	----------------------------	-------------------------



SELECTION/DIMENSIONS

Sleeve Bearings - Bronze-Bushed 1-15/16" THRU 8" ANGLE BRONZE-BUSHED PILLOW BLOCKS



Shaft	Part No.	Description	Wt.	Used on Frame	A	B	C	D	
								Min.	Max.
1-15/16	231063	P4B-BZA-115	10	HD-200	4	8-1/4	3-1/2	6-5/16	6-11/16
2-3/16	231069	P4B-BZA-203	14	HD-200	4-1/2	8-1/2	3-1/2	6-9/16	6-15/16
2-7/16	231075	P4B-BZA-207	20	HD-200	5	10-1/4	4	7-11/16	8-5/16
2-11/16	231081	P4B-BZA-211	22	HD-250	5-1/2	10-1/2	4-1/4	7-15/16	8-9/16
2-15/16	231087	P4B-BZA-215	28	HD-250	6	11	4-1/2	8-7/16	9-1/16
3-7/16	231096	P4B-BZA-307	46	HD-300	7	13	5	10-1/16	10-15/16
3-15/16	231102	P4B-BZA-315	62	HD-350	8	14-3/4	5-1/2	11-7/16	12-9/16
4-7/16	231108	P4B-BZA-407	85	HD-400	9	16-9/16	6-5/16	12-15/16	14-1/16
4-15/16	231114	P4B-BZA-415	109	HD-400	10	18	7	14-5/16	15-11/16
5-7/16	231120	P4B-BZA-507	142	HD-500	11	19-3/4	8	15-1/16	16-7/16
5-15/16	231126	P4B-BZA-515	180	HD-500	12	20-1/2	8-1/2	15-13/16	17-3/16
6-1/2	231135	P4B-BZA-608	220	...	13	22	9-5/8	17-3/16	18-13/16
7	231141	P4B-BZA-700	275	...	14	23	10	18-1/4	19-3/4
8	231150	P4B-BZA-800	400	...	16	26	11	20-11/16	22-5/16

◆ No Published Metric Dimensions For This Product

FEATURES/BENEFITS PAGE B17-2	SPECIFICATION/HOW TO ORDER PAGE B17-4	NOMENCLATURE PAGE B17-5	SELECTION PAGE B17-6
---------------------------------	--	----------------------------	-------------------------



SELECTION/DIMENSIONS

Sleeve Bearings - Bronze-Bushed 1-15/16" THRU 8" ANGLE BRONZE-BUSHED PILLOW BLOCKS

Shaft	E	F Bolt	G	H	J	M	Cap Bolts Quantity	Grease Cups #		
								Pipe Tap	Qty.	Size
1-15/16	1-3/4	1/2	3/4	7/8	4-11/16	2-1/4	2	1/4	1	1
2-3/16	1-3/4	1/2	3/4	1	5-1/8	2-1/2	2	3/8	1	2
2-7/16	2	5/8	1	1-1/8	5-9/16	2-3/4	2	3/8	1	2
2-11/16	2-1/4	5/8	1	1-1/4	5-7/8	3	2	3/8	1	2
2-15/16	2-1/2	5/8	1	1-3/8	6-3/8	3-1/4	2	3/8	1	2
3-7/16	2-3/4	3/4	1-1/4	1-1/2	7-1/8	3-1/2	2	1/2	1	3
3-15/16	3	3/4	1-3/8	1-5/8	7-1/2	3-3/4	3	1/2	1	4
4-7/16	3-1/2	7/8	1-1/2	1-3/4	8-1/2	4-1/8	3	1/2	1	4
4-15/16	4	7/8	1-5/8	1-7/8	9-3/16	4-1/2	3	1/2	1	4
5-7/16	4-1/2	1	1-7/8	2	10-1/4	5	3	1/2	2	3
5-15/16	5	1-1/8	1-7/8	2-3/16	11-1/16	5-1/2	3	1/2	2	3
6-1/2	5-1/2	1-1/8	2	2-1/4	12-1/8	6	4	1/2	2	4
7	6	1-1/4	2	2-3/8	13	6-1/2	4	1/2	2	4
8	6-3/4	1-3/8	2-1/4	2-1/2	14-1/16	7	4	1/2	2	4

Grease cups or pressure fittings may be obtained thru our distributors; one required per pillows block up thru 4-15/16" sizes and two required for balance of sizes.

See page B13-10 for grease fitting and reducer bushing part number.

Note: 1-15/16 - 3-7/16" sizes have 2 cap bolts

3-15/16 - 5-15/16" sizes have 3 cap bolt (shown in diagram)

6-1/2" and larger have 4 cap bolts

FEATURES/BENEFITS PAGE B17-2	SPECIFICATION/HOW TO ORDER PAGE B17-4	NOMENCLATURE PAGE B17-5	SELECTION PAGE B17-6
---------------------------------	--	----------------------------	-------------------------



SELECTION

Sleeve Bearings - BRONZOIL RADIAL LOAD RATINGS FOR BRONZOIL SLEEVE BEARINGS

Shaft Sizes	Radial Load Rating in Lbs. at Various Revolutions Per Minute					
	50	100	200	500	1000	1500
1/2	230	225	220	175	120	110
5/8	250	240	230	180	125	105
3/4	260	250	240	185	130	100
7/8	280	270	260	190	145	95
15/16	380	360	290	200	150	90
1	420	400	300	210	160	85
1-3/16	500	475	395	250	135	115
1-1/4	525	500	415	260	140	120

Shaft Sizes	Radial Load Rating in Lbs. at Various Revolutions Per Minute				
	2000	2500	3000	3500	4000
1/2	90	80	60	50	45
5/8	80	65	55	45	35
3/4	70	55	50	35	...
7/8	60	50	45
15/16	55	45	40
1	50	40
1-3/16	60
1-1/4	63

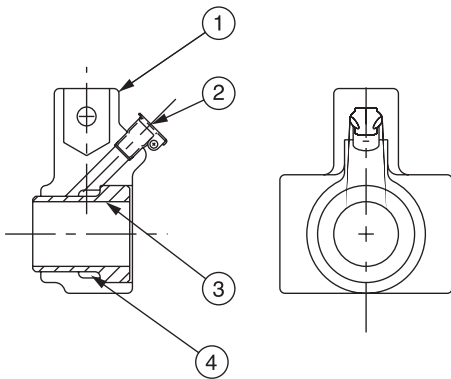
BRONZOIL Take-Up Bearing Assembly

Size	(TUBO--) Assy.No.	1	2	3	4
1/2	034030	034001	405046	034013	444010
5/8	034031	034001	405046	034014	444010
3/4	034032	034001	405046	034015	444010
7/8	034033	034002	405046	034016	444010
15/16	034034	034002	405046	034017	444010
1	034035	034002	405046	034018	444010

Select a bearing from the rating tables having a radial load equal to or greater than the actual load providing normal operating conditions are met. If these conditions cannot be met, select a bearing for an equivalent radial load to be obtained by multiplying the actual radial load by a 2.0 to 4.0 service factor - depending on specific application.

Normal Operating Conditions:

1. Adequate oil supply.
2. Proper bearing alignment for uniform distribution of load at all operating conditions.
3. No shock loading.
4. No adversely high operating conditions.
5. No moist, corrosive, or abrasive atmosphere.
6. Shaft surface finish must be equal to that of commercial steel shafting. (About 32 micro inches)
7. Shaft diameter tolerance within $+.000/-.002$.
8. Maximum operating temperature 180°F.



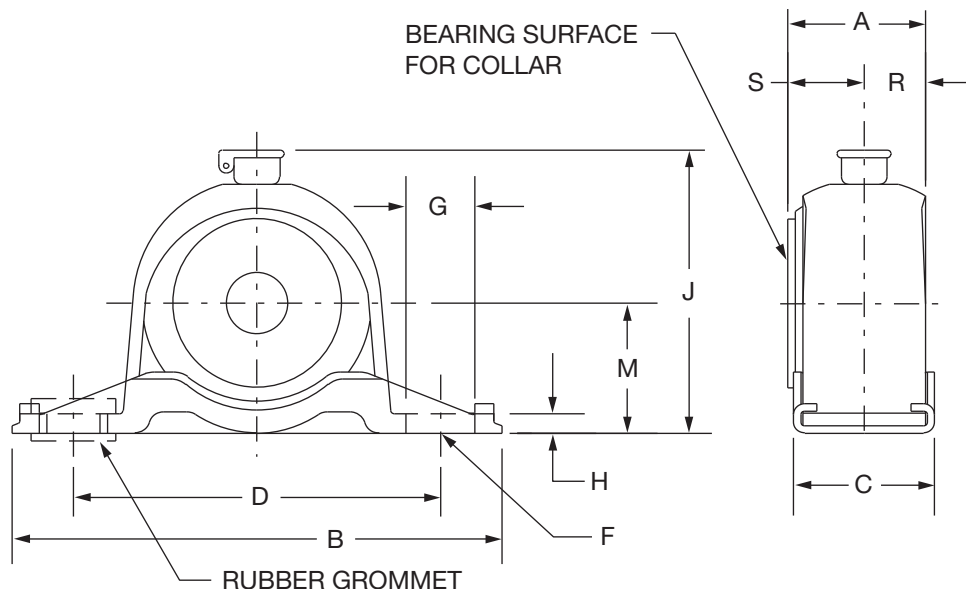
1. BRONZOIL Housing
2. BRONZOIL Take-Up Oil Cup
3. BRONZOIL Bushing
4. BRONZOIL Permawick





SELECTION/DIMENSIONS

Sleeve Bearings - BRONZOIL 1/2" THRU 1-1/4" BRONZOIL PILLOW BLOCKS



Shaft Size	Part No.	Description	Wt.	A	B	C	D
1/2	035025	P2B-B0-008					
5/8	035026	P2B-B0-010	0.6	1-1/8	4	1-3/16	3
3/4	035027	P2B-B0-012					
7/8	035028	P2B-B0-014					
15/16	035029	P2B-B0-015	0.5	1-1/8	4	1-3/16	3
1	035030	P2B-B0-100					
1-3/16	035107	P2B-B0-103	1.3	1-3/4	4-1/2	1-1/4	3-1/2
1-1/4	035108	P2B-B0-104	1.2	1-3/4	4-1/2	1-1/4	3-1/2

Shaft Size	F Bolt	G	H	J	M	R	S
1/2							
5/8	3/8	9/16	5/32	2-5/16	1-1/16	1/2	5/8
3/4							
7/8							
15/16	3/8	9/16	5/32	2-5/16	1-1/16	1/2	5/8
1							
1-3/16	3/8	9/16	5/32	2-13/16	1-5/16	7/8	7/8
1-1/4	3/8	9/16	5/32	2-13/16	1-5/16	27/32	29/32

Grommets are optional and furnished on order only. Order (2) grommet long nipples (part number 035082) for each pillow block

When grommets are used, the J and M dimensions increase by 1/16" and the H dimension by 1/8". A 5/16" bolt and a washer must be used with each grommet. Washer part number 035084.

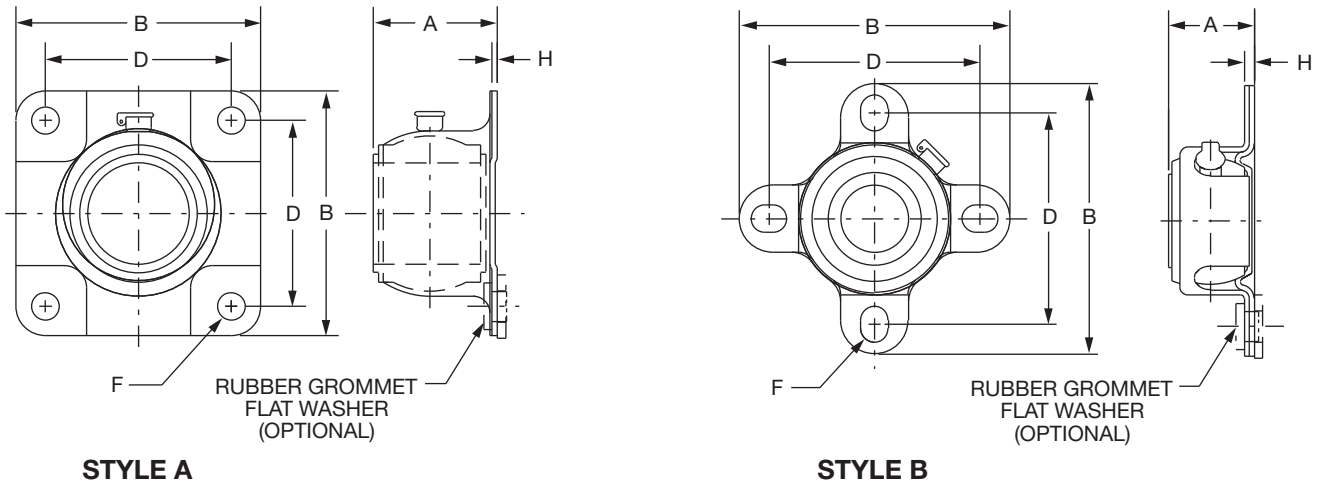
◆ No Published Metric Dimensions For This Product

FEATURES/BENEFITS PAGE B17-2	SPECIFICATION/HOW TO ORDER PAGE B17-4	NOMENCLATURE PAGE B17-5	SELECTION PAGE B17-6
---------------------------------	--	----------------------------	-------------------------



SELECTION/DIMENSIONS

Sleeve Bearings - BRONZOIL 1/2" THRU 1-1/4" BRONZOIL 4-BOLT FLANGE BEARING



Shaft Size	Part No.	Description	Wt.	A	B
1/2	035031	F4B-B0-008			
5/8	035032	F4B-B0-010	0.60	1-1/4	4
3/4	035033	F4B-B0-012			
7/8	035034	F4B-B0-014			
15/16	035035	F4B-B0-013	0.50	1-1/4	4
1	035036	F4B-B0-100			
1-3/16	035116	F4B-B0-103	1.30	1-7/8	3-5/8
1-1/4	035117	F4B-B0-104	1.20	1-29/32	3-5/8

Shaft Size	D	F Bolt	H	STYLE
1/2				
5/8	3-1/8	3/8	5/32	B
3/4				
7/8				
15/16	3-1/8	3/8	5/32	B
1				
1-3/16	2-3/4	3/8	1/16	A
1-1/4	2-3/4	3/8	1/16	A

Grommets are optional and furnished on order only. Order (4) grommet short nipples (part number **035083**) for each flange bearing.

When grommets are used, the A dimension increases by 1/16" and the H dimension by 1/8". A 5/16" bolt and a washer must be used with each grommet. Washer part number 035084.

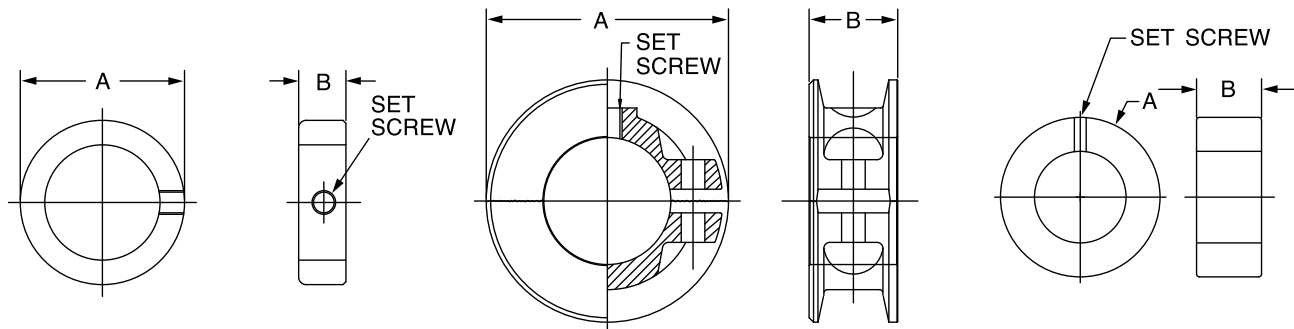
◆ No Published Metric Dimensions For This Product

FEATURES/BENEFITS PAGE B17-2	SPECIFICATION/HOW TO ORDER PAGE B17-4	NOMENCLATURE PAGE B17-5	SELECTION PAGE B17-6
---------------------------------	--	----------------------------	-------------------------



SELECTION/DIMENSIONS

Shaft Collars



Shaft Size	Solid Steel						Solid Iron					Split Iron				
	Part Number *		Dimensions				Shaft Size	Part Number	Dimensions			Shaft Size	Part Number	Dimensions		
	Steel	Stainless	O.D. (A)	Width (B)	Screw	Wt.			O.D. (A)	Width (B)	Wt.			O.D. (A)	Width (B)	Wt.
1/8	----	456225	0.36	0.25	#6	0.01	1-15/16	010020	3.38	1.38	2.5	1-1/8	010075	3.13	1.25	1.3
3/16	040001	456226	0.44	0.25	#8	0.01	2	010021	3.38	1.38	2.5	1-3/16	010076	3.13	1.25	1.3
1/4	040002	456227	0.50	0.28	#10	0.01	2-3/16	010024	3.75	1.38	3.0	1-1/4	010077	3.13	1.25	1.3
5/16	040003	456228	0.63	0.34	#10	0.01	2-7/16	010028	4.25	1.50	4.3	1-5/16	010078	3.38	1.44	1.8
3/8	040004	456229	0.75	0.38	1/4	0.01	2-1/2	010029	4.25	1.50	4.3	1-7/16	010080	3.38	1.44	1.8
7/16	040005	----	0.88	0.44	1/4	0.05	2-11/16	010032	4.75	1.50	5.0	1-1/2	010081	3.38	1.44	1.8
1/2	040006	456230	1.00	0.44	1/4	0.1	2-15/16	010036	5.00	1.63	5.6	1-11/16	010084	3.75	1.56	2.4
9/16	040007	----	1.00	0.44	1/4	0.1	3-3/16	010039	5.50	1.63	7.0	1-3/4	010085	3.75	1.56	2.4
5/8	040008	456231	1.13	0.50	5/16	0.1	3-7/16	010043	5.75	1.75	7.6	1-15/16	010088	4.06	1.75	2.6
11/16	040009	----	1.25	0.56	5/16	0.1	3-15/16	010048	6.50	1.88	10.0	2	010089	4.06	1.75	2.6
3/4	040010	456232	1.25	0.56	5/16	0.1	4-7/16	010051	7.25	2.00	12.0	2-3/16	010092	4.50	1.88	3.4
13/16	040011	----	1.31	0.56	5/16	0.1	4-15/16	010054	8.00	2.13	16.3	2-1/4	010093	4.50	1.88	3.4
7/8	040012	456234	1.50	0.56	5/16	0.2	5-7/16	010055	8.75	2.13	18.5	2-7/16	010096	4.44	1.88	3.8
15/16	040013	----	1.63	0.56	5/16	0.2	5-15/16	010056	9.25	2.25	23.0	2-1/2	010097	4.88	2.00	4.3
1	040014	456234	1.63	0.63	5/16	0.2	6	010057	9.25	2.25	23.0	2-11/16	010100	5.31	2.06	5.4
1-1/16	040015	----	1.75	0.63	5/16	0.2	6-1/2	010058	10.00	2.25	25.0	2-15/16	010104	5.50	1.88	4.6
1-1/8	040016	456235	1.75	0.63	5/16	0.2	7	010059	10.50	3.38	32.0	3	010105	5.50	1.88	4.4
1-3/16	040017	----	2.00	0.69	3/8	0.4	7-1/2	010060	11.38	2.50	35.0	3-3/16	010107	6.06	2.38	8.0
1-1/4	040018	456236	2.00	0.69	3/8	0.4	8	010061	12.13	2.88	45.0	3-7/16	010110	6.06	2.38	6.0
1-5/16	040019	----	2.13	0.69	3/8	0.4						3-11/16	010112	6.81	2.63	10.6
1-3/8	040020	----	2.13	0.75	3/8	0.4						3-15/16	010114	7.00	2.75	9.0
1-7/16	040021	----	2.25	0.75	3/8	0.5						4-7/16	010117	8.13	3.31	17.0
1-1/2	040022	456237	2.25	0.75	3/8	0.5						4-15/16	010120	8.50	3.25	20.8
1-9/16	040023	----	2.50	0.81	3/8	0.7						5-7/16	010123	9.00	3.25	23.0
1-5/8	040024	----	2.50	0.81	3/8	0.6						5-15/16	010126	9.50	3.25	23.7
1-11/16	040025	----	2.50	0.81	3/8	0.6						6	010127	10.13	4.06	35.0
1-3/4	040026	456238	2.75	0.88	1/2	0.8						6-1/2	010128	11.00	4.25	41.0
1-7/8	040027	----	2.75	0.88	1/2	0.8						7	010129	12.00	4.50	46.0
1-15/16	040028	----	3.00	0.88	1/2	1.0						7-1/2	010130	12.94	4.69	56.0
2	040029	456239	3.00	0.88	1/2	1.0						8	010131	13.50	4.88	71.0
2-3/16	040030	----	3.25	0.94	1/2	1.2										
2-1/4	040031	----	3.25	0.94	1/2	1.2										
2-7/16	040032	----	3.50	1.00	1/2	1.4										
2-1/2	040033	----	3.50	1.00	1/2	1.3										
2-15/16	040034	----	4.25	1.13	1/2	2.2										

NOTE: Solid and Split iron collars have one set screw thru 3-1/4" bore size. 3-3/16" and larger bores have two setscrews.

NOTE: Steel is mild carbon steel.
 Stainless is 300-series stainless.
 All sizes are fitted with one setscrew.

FEATURES/BENEFITS PAGE B17-2	SPECIFICATION/HOW TO ORDER PAGE B17-4	NOMENCLATURE PAGE B17-5	SELECTION PAGE B17-6
---------------------------------	--	----------------------------	-------------------------



NOTES

Plummer Blocks

Sleeve Bearings

SLEEVOIL

Take-Up Frames

Engineering

Part Number Index

Keyword Index

CONTENTS



SLEEVOIL®

Features / Benefits

R Series Pillow Block B18-4

RTL Series Pillow Block B18-5

Specification/How To Order B18-7

Nomenclature B18-7

Selection B18-8

Selection/Dimensions

R Series Pillow Block B18-10

RTL Series Pillow Block B18-18

RXT Series Pillow Block B18-20

Modifications/Accessories

End Cap Kits B18-22

Auxiliary Seal Kits B18-23

RTL Replacement Part Kits B18-24

R Series Replacement Part Kits B18-25

Heater/Thermostat B18-26

Trapezoidal Oil Ring (R Series - RTL) B18-27

Trapezoidal Oil Ring (RXT) B18-28

Vibration Detector Adapter Kit B18-29

Oil Level And Filtration System B18-30

Bearing Isolator B18-31

Part Number Index INDEX-1

Key Word Index KEYWORD-1

Plummer Blocks

Sleeve Bearings

SLEEVOIL

Take-Up Frames

Engineering

Part Number Index

Keyword Index



CONTENTS

Plummer Blocks

Sleeve Bearings

SLEEVOIL

Take-Up Frames

Engineering

Part Number Index

Keyword Index



FEATURES/BENEFITS

GENERAL OPERATING CHARACTERISTICS

Though originally designed for the exacting requirements of the air handling industry, R Series SLEEVOIL pillow blocks are suitable for a wide range of industrial applications where a precision built, split, babbitted, ring-oiled bearing is required which is self aligning and quiet in operation.

SLEEVOIL pillow blocks have good cooling capabilities. Water cooled (WC) and externally cooled (XC) types operate at higher speeds and load ranges than plain units and function well near high temperature sources.

For standard SLEEVOIL bearings, the shaft tolerance is +0.000" / -0.002" with a surface finish of 32 micro-inches or better.

WHERE SLEEVOIL BEARINGS ARE CURRENTLY USED

- Fans & Blowers
- Generators
- Test Stands
- Pumps
- Motors
- Dynamometers
- Compressors
- Turbines

FEATURES AND BENEFITS SLEEVOIL

- **Fully split housing** for trouble-free assembly and disassembly
- **Rugged construction** using gray iron housing and liner for durability
- **Babbitt lining** offers conformability and shaft protection
- **Completely self-aligning** as a result of ball and socket mounting between liner and base
- **Dependable oil ring lubrication** with self-contained oil supply
- **Convenient oil gage** can be positioned on either side of housing
- **Proven reliability** and dependable performance guard against catastrophic failures.
- **Extended life** is a plus with no metal-to-metal contact during operation. More than ten times the theoretical life of anti-friction bearings
- **High speed capabilities** because of self-pressurized full oil film
- **Adequate vibration dampening** is handled by the hydrodynamic oil film which absorbs shock
- **Effective heat transfer** accomplished by journal surrounded by improved coolant chambers
- **Quiet operation** accomplished by full separation of mating parts

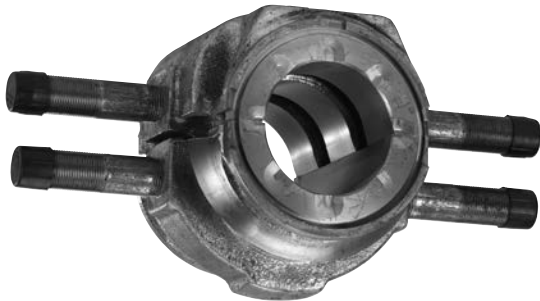


FEATURES/BENEFITS

SLEEVOIL

R Series Pillow Block

- 1-7/16" size is stocked as a Plain pillow block
- 1-11/16" - 3-7/16" sizes are stocked as Plain/Water cooled (PLWC) pillow block
- 3-15/16" - 8" sizes are stocked as Plain/Externally Cooled (PLXC) pillow blocks (standard and short series)
- PLXC Liner Only



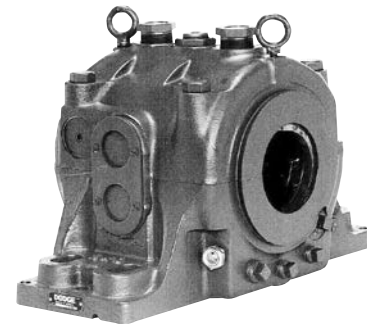
**PLXC Liner Assembly
(Plain/Externally Cooled)**



**PLWC Pillow Block
(Plain/Water Cooled)**



STL (Standard)



SSL (Short Series)

NOTE:

Water Cooled Replacement Liners (WC Repl) are also available for housings made prior to 1973 with smaller coolant pipes.



FEATURES/BENEFITS

SLEEVOIL R Series Pillow Block

- 9" - 14" sizes



Plain Pillow Block



XC Pillow Block

SLEEVOIL R Series Pillow Block

- All R series jacketed liners designated as XC can be air, oil, or water cooled.
- Thrust collars convert the expansion bearing into a non-expansion bearing.
- Short series housings require less shaft space and are for expansion bearings only.
- 3-7/16, and larger bore housings are pre-machined for thermocouples, heaters, thermostats, vibration detector adapter kits, auxiliary seal kits, end cap kits and circulating oil kits.
- 3-15/16 - 8, water cooled replacement (WC repl) liners fit in the R series housings. WC repl liners have small pipes.
- PLXC Liners will not fit in old WC housings (prior to 1973); R Series housing is required.

SLEEVOIL RTL Series Pillow Block 3-7/16" - 12" Sizes

General Operating Characteristics

RTL pillow block blocks offer excellent radial and thrust load capacities. Large coolant chambers provide especially effective heat dissipation when used with circulating coolant systems. This provides exceptionally strong bearing performance near high heat sources or gases.

The inner liner of the RTL has a center cavity which provides flooding lubrication to the thrust plates. This cavity acts as a reservoir to provide lubrication even during start-up and divides the radial area into two individual load sections. A single thrust collar is required. If a split collar is used, a shaft recess is necessary.

Coolant chambers, which cool both the thrust plates and radial load sections, are of sufficient size to allow the use of water, air, or oil as the internal coolant.

Expansion pillow blocks are furnished as standard. When non-expansion blocks are specified, a thrust collar and thrust plate kit are required.



RTL Series Pillow Block

- Reliable high speed operation.
- Three times the thrust load capability of the R series.
- Suitable for operation near high heat sources.
- Pre-machined for thermocouples, circulating oil kit, vibration detector adapter kit, auxiliary seal kits, end cap kit, heater and thermostat.



FEATURES/BENEFITS

Dodge SLEEVOIL Bearing Isolator RTL AND R-SERIES PILLOW BLOCKS

The Dodge SLEEVOIL bearing isolator is a fully split multi-labyrinth contact sealing system. The stator forms a complex labyrinth with the rotor to isolate the bearing from contamination keeping the lubricating oil clean. The tortuous labyrinth path between the stator and rotor also contains internal non-metallic seals to limit direct penetration of liquid or particulate.

The SLEEVOIL isolator is IP56 rated and all seal components including rotor stator and o-rings are fully split for ease of assembly and disassembly.

O-rings in the bore of the rotor provide sealing along the shaft and allow for axial shaft expansion as needed.

The isolator seal is designed to retrofit an existing SLEEVOIL housing with dovetail grooves on either end.



- ① Setscrew provides additional clamping to the housing
- ② Seal Stator
- ③ Housing O-ring Seals
- ④ Rotor Locating Seals
- ⑤ Shaft O-ring Seals
- ⑥ Seal Rotor
- ⑦ Expulsion port expels contaminants from seals



SLEEVOIL - NOMENCLATURE

SLEEVOIL BEARING NOMENCLATURE - R & RTL SERIES:

STD	Standard Series	PB	Pillow Block
PLWC	Plain/Water Cooled	HSG	Housing
SSL	Short Series Loaded	LNR	Liner Assembly
STL	Standard Series Loaded	TC	Thrust Collar
RTL	Radial Thrust Loaded	TPK	Thrust Plate Kit
PL	Plain	BTP	Bronze Thrust Plates
PLXC	Plain/Externally Cooled		(BTP1-Type 1 Lower Liner Only;
SSH	Short Series		BTP2-Type 2 Upper & Lower Liner)
XC	Externally Cooled		

The product offering has 6-digit part numbers with listing shown throughout this catalog. Use of part numbers ensures accurate order processing.

FEATURES/BENEFITS PAGE B18-3	HOW TO ORDER/NOMENCLATURE PAGE B18-7	SELECTION/DIMENSIONS PAGE B18-10	ACCESSORIES PAGE B18-22
---------------------------------	---	-------------------------------------	----------------------------

SELECTION

DODGE®



DODGE®

BALDOR®
MEMBER OF THE ABB GROUP

Dodge SLEEVOIL Application Inquiry Form

Please provide application data by mail, phone or fax:
 SLEEVOIL Bearing Application Engineering
 Germaine Grant - glgrant@baldor.com (864-281-2253 phone)
 Yogi Sharma - ysharma@baldor.com (864-281-2273 phone)

Company Name: _____
 Address: _____
 Contact Name: _____
 Customer Reference: _____
 Installation and Arrangement: _____

Date: _____
 Response Required By: _____
 Phone (_____) _____
 Fax: (_____) _____

Bearing Size in Inches:

Shaft Speed: Constant _____ RPM
 Variable Speed - Max RPM _____ Min RPM _____
 Turning Gear _____

Type of Coolant:

Plain (None) Water Air Plain - Circ Oil Water Cooled - Circ Oil

Preferred Lubricant: SAE10 SAE 20 SAE30 Other _____
 ISO 32 ISO 68 ISO 100

Expected Temperature:

Ambient Max _____ °F Min _____ °F Water Inlet Max _____ °F Min _____ °F
 Air Inlet Max _____ °F Min _____ °F Oil Inlet Max _____ °F Min _____ °F
 Air Velocity over Bearing Housing (FPM): _____

Fixed Bearing (Non-Expansion)

RTL STL RXT
 Loading: Base Cap

Fixed Bearing Radial Load: _____ Lbs
 Fixed Bearing Thrust Load: _____ Lbs

Cooling Wheel: Yes No

External Heat Source (Fan Temperature): _____ °F
 Closest Part of Bearing to Heat Source: Fixed Bearing _____ Inches

Direction of resultant load: Fixed Bearing 


Free Bearing (Expansion)

RTL STL SSL RXT
 Base Cap

Free Bearing Radial Load: _____ Lbs.

 Yes No

Free Bearing _____ Inches

Free Bearing 

Please state any unusual conditions such as shock loads changes in thrust loads, low speed requirements, hot shaft start-ups, environmental conditions (dust, chemicals gases etc):

Dodge / P.O. Box 499 / 6040 Ponders Ct. / Greenville, S.C. 29602 - 0499 / 864-297-4800

FEATURES/BENEFITS
PAGE B18-3

EASY SELECTION
PAGE B18-7

SELECTION/DIMENSIONS
PAGE B18-10

ACCESSORIES
PAGE B18-22

SELECTION



SLEEVOIL

Baldor Electric

P.O. Box 499 Greenville SC 29602 -0499 (864) 297-4800
 SLEEVOIL Program Release 9.0.0 14: 32: 35 03/11/2001
 SLEEVOIL Bearing Selection Program Serial No. Page 1

Filename: Sleeve Bearing Eng / Data Sheets / 2011 / GG110311. UNV

Customer Name GG Fan
 Attention Dean King
 Phone (589) 258-2365
 Email dking@ggfan.com
 Reference Copper Power ID Fan

Selection 1 of 4 Comment:

①	3.4375 inch SLEEVOIL RTL	②	Oil Ring Lubrication	③	Non-Expansion Bearing	
	Shaft speed				1780.0 RPM	1603.1 FPM
	Radial load				1771.0 Lbs.	95.9 PSI
	Thrust load				1596.0 Lbs.	177.3 PSI
	Ambient temperature				100.0 Deg F	
	External heat gases with cooling wheel				752.0 Deg F	
	External heat source to bearing face				6.0 Inches	
	Average horizontal clearance				0.01350 Inches STD	
	Average vertical clearance				0.00600 Inches STD	

⑤ >>>>>>>> Application satisfactory with ISO VG 68 <<<<<<<<<
 Calculations based on base loading
 With water cooling at 100.0 Deg F and 2.00 GPM.

⑥	Heat generation	Total	3.860 HP	9827.6 BTU / HR
	Radial		0.657 HP	
	Thrust		2.460 HP	
	Heat gases		0.743 HP	
	Heat dissipation by water cooling		3.226 HP	8214.9 BTU / HR
	Heat dissipation by cooling wheel		0.365 HP	930.4 BTU / HR
	Maximum operating temperature		165.0 Deg F	
	Radial bearing film thickness		1.54 Mils	
	Thrust bearing film thickness		0.72 Mils	
	Attitude angle		44.1 Deg	

⑦	Dynamic coefficients (X=horizontal direction, Y=vertical direction)			
	KXX =	361864.3 LB / IN	CXX =	1894.2 LB-S / IN
	KXY =	95775.3 LB / IN	CXY =	-1332.8 LB-S / IN
	KYX =	-1025270.0 LB / IN	CYX =	-1332.8 LB-S / IN
	KYY =	19400013.0 LB / IN	CYY =	12178.8 LB-S / IN

RIGID ROTOR INSTABILITY THRESHOLD IS UNBOUNDED

1. Bore size and name of SLEEVOIL bearing.
2. Method of lubrication.
3. States whether bearing is non-expansion or expansion
4. Application input data
5. Acceptance of performance per input
6. Performance output data
7. Oil film dynamic coefficients

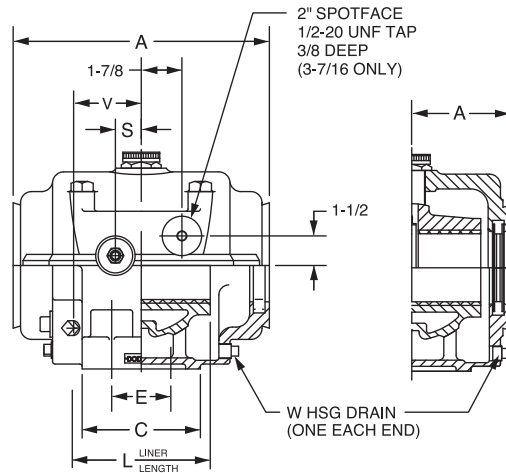
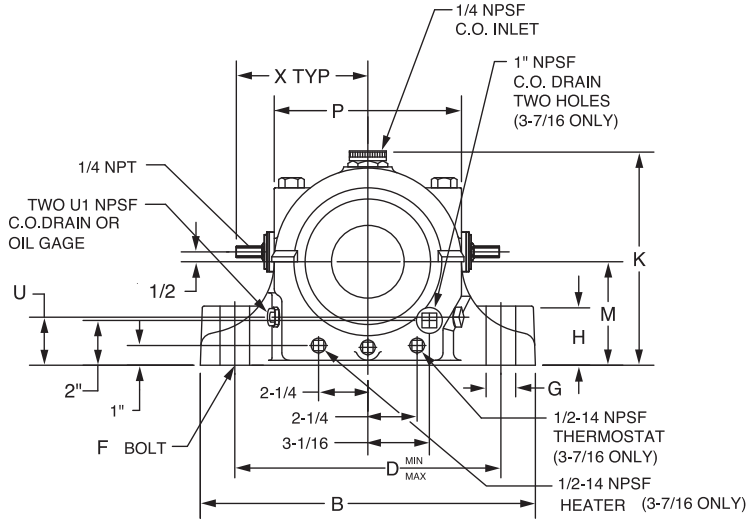
FEATURES/BENEFITS PAGE B18-3	EASY SELECTION PAGE B18-7	SELECTION/DIMENSIONS PAGE B18-10	ACCESSORIES PAGE B18-22
---------------------------------	------------------------------	-------------------------------------	----------------------------



SELECTION/DIMENSIONS

SLEEVOIL - R Series

1-7/16" THRU 3-7/16" PLAIN-WATER COOLED STANDARD AND SHORT SERIES SLEEVOIL PILLOW BLOCKS



STANDARD SERIES

SHORT SERIES

Shaft Size	Expansion Pillow Blocks		Expansion Pillow Blocks		Split Thrust Collar		Neoprene End Closure **		Hose Kits		Replacement PL-WC Liner Assemblies			
	STD		SSH (Short Series Expansion Only)		2 Collars Required To Make A Non-Expansion Pillow Blocks									
	Part No.	Wt.	Part No.	Wt.	Part No.	Wt.	Part No.	Wt.	Part No.	Wt.	Part No.	Wt.		
1-7/16	132983	20.5	133245	0.7	133980	.12	133344	0.5	133203	3.6		
1-11/16	132984	30.7	133250	1.2	133981	.12			133583	6.3		
1-15/16	132985	31.6	133255	1.0	133982	.12			133584	7.0		
2-3/16	132986	47.8	133260	1.8	133983	.12			133585	12.0		
2-7/16	132987	65.5	133265	2.7	133984	.12			133586	11.6		
2-11/16	132988 ⊗	97.0	133270	4.1	133985	.12			132959 ⊗	27.0		
2-15/16	132989 ⊗	92.4	132991 ⊗	90.0	133275	3.8	133986	.18			132950 ⊗	22.0		
	STL		SSL											
3-7/16	132990 ⊗	144.0	132992 ⊗	138.0	133280	6.2	133987	0.31					132951 ⊗	50



SELECTION/DIMENSIONS

SLEEVOIL - R Series

1-7/16" THRU 3-7/16" PLAIN-WATER COOLED STANDARD AND SHORT SERIES SLEEVOIL PILLOW BLOCKS

Shaft Size	A		B		C		D (Min.-Max.)						E		F Bolt Dia.		G	
	STD	SSH	STD	SSH	STD	SSH	STD			SSH			STD	SSH	STD	SSH	STD	SSH
1-7/16	6-1/2	9-1/2	2-3/4	7	-	7-1/2	-	##	5/8	1
1-11/16	7-3/4	10-1/2	3	7-3/4	-	8-1/4	-	##	5/8	1
1-15/16	7-3/4	10-1/2	3	7-3/4	-	8-1/4	-	##	5/8	1
2-3/16	9-1/4	12-1/2	3-1/2	9-1/8	-	9-7/8	-	##	3/4	1-1/4
2-7/16	10-1/2	13-1/2	4	10-1/8	-	10-7/8	-	##	3/4	1-1/4
2-11/16	11-1/2	15	4-1/2	11	-	12	-	##	7/8	1-1/2
2-15/16	11-1/2	8-3/4	15	15	4-1/2	5-3/4	11	-	12	10-7/8	-	12-1/8	##	2-3/4	7/8	3/4	1-1/2	1-1/2
	STL	SSL	STL	SSL	STL	SSL	STL			SSL			STL	SSL	STL	SSL	STL	SSL
3-7/16	13	10	17	17	6	6	12-15/16-14-1/16			12-15/16-14-1/16			3	3	3/4	3/4	1-1/2	1-1/2

Shaft Size	H		K		L		M		P		S		U	
	STD	SSH	STD	SSH	STD	SSH	STD	SSH	STD	SSH	STD	SSH	STD	SSH
1-7/16	1-1/2	6	3	2-3/4	4-5/8	1-1/8
1-11/16	1-3/4	6-3/4	3-1/2	3-1/8	5-3/8	7/8	1-3/8
1-15/16	1-3/4	6-3/4	4	3-1/8	5-3/8	7/8	1-3/8
2-3/16	2	8	4-1/2	3-3/4	6-3/8	7/8	1-1/2
2-7/16	2-3/8	8-3/4	5	4-1/8	7-1/8	1-1/16	1-5/8
2-11/16	2-15/32	9-5/8	5-1/2	4-9/16	7-7/8	1-1/8	1-7/8
2-15/16	2-15/32	1-1/2	9-5/8	9-5/8	6	6	4-9/16	4-9/16	7-7/8	7-7/8	1-1/8	1-1/8	1-7/8	1-3/4
	STL	SSL	STL	SSL	STL	SSL	STL	SSL	STL	SSL	STL	SSL	STL	SSL
3-7/16	3	3	11	11	7	7	5-1/4	5-1/4	9-3/8	9-3/8	1-5/16	1-5/16	2	2

Shaft Size	U1		V		W		X
	STD	SSH	STD	SSH	STD	SSH	
1-7/16	1/2	2-1/16	1/4
1-11/16	1/2	2-1/4	1/4	3-3/4
1-15/16	1/2	2-1/4	1/4	3-3/4
2-3/16	1/2	2-1/2	1/4	4-3/4
2-7/16	1/2	2-15/16	1/4	4-3/4
2-11/16	1/2	3-1/8	1/4	5-1/8
2-15/16	1/2	1/2	3-1/8	3-9/16	1/4	1/4	5-1/8
	STL	SSL	STL	SSL	STL	SSL	
3-7/16	3/4	1/2	3-7/8	3-7/8	1/2	1/2	5-1/2

2-bolt base
3-7/16 Heater (434719)

** Used to close one end of pillow block. One required for sizes 1-7/16 thru 2-15/16. Two required for 3-7/16.

⊗ Pillow block and liner are pre-drilled for thermocouple (2 places)
STL & SSL are pre-drilled for accessories: thermocouple, circulating oil, vibration detector, heater and thermostat

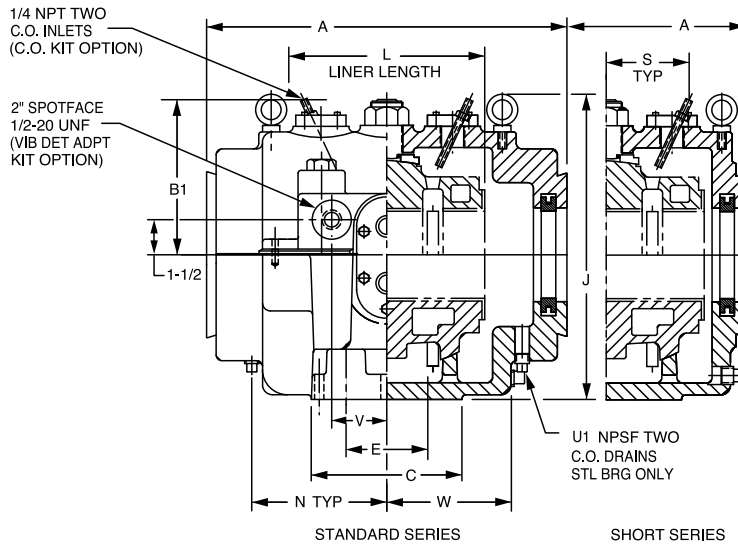
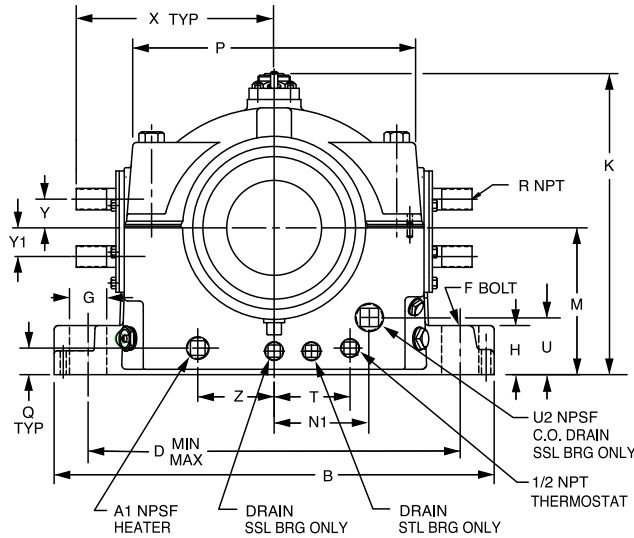
FEATURES/BENEFITS PAGE B18-3	HOW TO ORDER/NOMENCLATURE PAGE B18-7	SELECTION PAGE B18-8	ACCESSORIES PAGE B18-22
---------------------------------	---	-------------------------	----------------------------



SELECTION/DIMENSIONS

SLEEVOIL - R Series

3-15/16" THRU 8" PLAIN / EXTERNALLY COOLED STANDARD AND SHORT SERIES
SLEEVOIL PILLOW BLOCKS



Shaft Size	Pillow Block Assemblies				Split Thrust Collars		Replacement Liner Assemblies ⊗			
	Expansion Pillow Blocks		Expansion Pillow Blocks		2 Collars Required To Make A Non-Expansion STL Pillow Block		PL-XC Externally Cooled		WC (Prior to 1973 hsg) Replacement	
	STL		SSL (Short Series Expansion Only)							
	Part No.	Wt.	Part No.	Wt.	Part No.	Wt.	Part No.	Wt.	Part No.	Wt.
3-15/16	134200	201	134207	193	133285	7.2	132952	51	133590	54
4-7/16	134201	271	134208	255	133292	7.9	132953	71	133591	65
4-15/16	134202	362	134209	324	133293	11.3	132954	92	133592	91
5-7/16	134203	470	134210	462	133294	12.3	132955	130	133593	114
6	134204	598	134211	570	133295	15.3	132956	158	133594	158
7	134205	882	134212	845	133296	31.3	132957	230	133595	216
8	134206	1298	134213	1256	133297	48.7	132958	372	133596	375

FEATURES/BENEFITS PAGE B18-3	HOW TO ORDER/NOMENCLATURE PAGE B18-7	SELECTION PAGE B18-8	ACCESSORIES PAGE B18-22
---------------------------------	---	-------------------------	----------------------------



SELECTION/DIMENSIONS

SLEEVOIL - R Series

3-15/16" THRU 8" PLAIN / EXTERNALLY COOLED STANDARD AND SHORT SERIES
SLEEVOIL PILLOW BLOCKS

Shaft Size	Optional Accessories										Pipe Grommet Kits >	
	Auxiliary Seal Kits ##		Housing End Cap Kits		Heater / Thermostat * 120 Volt		Circulating Oil Inlet Kits >		Neoprene End Closures ⊗ ⊗		Part No.	Wt.
	Part No.	Wt.	Part No.	Wt.	Part No.	Wt.	Part No.	Wt.	Part No.	Wt.		
3-15/16	432181	6.4	432190	6.1	434721	1.0	432153	2	133988	.3	132192	1.6
4-7/16	432184	7.0	432193	6.8	434721	1.0	430198	2	133989	.4	132192	1.6
4-15/16	432187	7.5	432196	7.3	434721	1.0	430198	2	133990	.5	132193	2.4
5-7/16	133932	12.4	132546	11.6	434721	2.0	430155	2	133991	.6	132193	2.4
6	133933	14.8	132547	10.6	434725	2.5	430155	2	133992	.8	132198	3.6
7	133937	19.0	132548	13.5	434725	2.5	430155	2	133993	1.2	132198	3.6
8	133938	24.9	132549	15.5	434727	3.0	430155	2	133994	1.3	132198	3.6

Shaft Size	A		B	C	D (Min.-Max.)	E	F Dia. Bolt	G	H		J	
	STL	SSL							STL	SSL	STL	SSL
3-15/16	15	11	19	7	14-1/4 - 15-3/4	3-1/2	7/8	1-3/4	3	2	12-1/16	12-5/8
4-7/16	16-1/2	12-1/2	20-1/2	7-1/2	15-1/4 - 16-3/4	4	1	2	3-1/2	3-1/2	14-5/8	14-5/8
4-15/16	18-1/4	13-3/4	22-1/2	8-1/2	16-5/8 - 18-7/8	4-1/2	1	**	3-1/8	2-1/2	15-7/8	15-7/8
5-7/16	19-3/4	15-1/4	24-1/2	9-1/2	18-1/4 - 20-1/4	5	1-1/8	2-1/4	3-3/4	2-3/4	17-1/8	17-1/8
6	21-1/4	16-1/4	26	10-1/2	19-5/8 - 21-7/8	5-1/2	1-1/4	2-1/2	4	3	17-5/8	18-1/2
7	24-1/2	18-3/4	29-3/4	12-1/2	22-5/8 - 25-3/8	6-1/2	1-1/2	3	5-1/8	3-1/2	19-7/16	21
8	27-3/4	21	34	14-1/2	25-5/8 - 28-7/8	7-1/2	1-3/4	3-1/2	5-7/8	4	21-5/16	23-1/2

Shaft Size	K	L	M	N		P	Q	R Pipe		T		U	U1		U2	
				STL	SSL			PLXC	WC Rep't	STL	SSL		STL	SSL		
				STL	SSL											
3-15/16	11-15/16	8	5-3/4	5-15/16	2-5/8	10-1/8	1-1/4	1	1/2	2-1/8	2-1/8	2-11/16	3/4	3/4		
4-7/16	13-7/8	9	6-1/4	6-3/8	3-3/8	11-1/2	1-3/8	1	1/2	3	2	2-13/16	3/4	1		
4-15/16	15-1/16	10	7	7-1/16	3-3/4	12-1/2	1-5/16	1-1/4	1/2	2-7/8	2	3-5/16	1	1-1/4		
5-7/16	15-15/16	11	7-1/2	7-5/8	4-3/8	13-3/4	1-9/16	1-1/4	1/2	3-3/8	2-1/2	3	1	1-1/4		
6	18	12	8-1/4	8-1/4	4-1/2	14-3/4	1-3/4	1-1/4	3/4	3-7/8	2-3/4	3-1/8	1	1-1/4		
7	20-1/4	14	9-1/2	9-9/16	5	17	2	1-1/4	3/4	5	3	3-3/4	1-1/4	1-1/4		
8	22-1/2	16	10-3/4	11	5-3/4	19	2	1-1/4	3/4	5-1/4	4	4-9/16	1-1/4	1-1/4		

Shaft Size	V	W	X	Y		Y1		Z	A1	B1
				PLXC	WC Rep't	PLXC	WC Rep't			
3-15/16	3	5	8-9/16	1-1/4	1	1-1/4	1	2-1/8	3/4	7-1/16
4-7/16	3-1/2	5-5/8	9-3/16	1-1/4	1	1-1/4	1	3	3/4	7-5/8
4-15/16	3-1/2	6-1/8	10	1-1/2	1	1-3/4	1	2-7/8	3/4	8
5-7/16	3-1/2	6-3/4	10-3/8	1-1/2	1	1-3/4	1	3-3/8	3/4	8-3/4
6	4	7-1/4	11-3/16	1-3/4	1-1/4	2	1-1/4	3-7/8	1	9-7/8
7	4-1/2	8-3/8	12-15/16	1-3/4	1-1/4	2	1-1/4	5	1	10-7/8
8	5	9-5/8	14-13/16	1-3/4	1-1/4	2	1-1/4	5-1/4	1-1/4	12

One required per pillow block end

> One required per pillow block

* 220 volt heaters available. See Page B18-26.

** 2-1/4" on STL; 2" on SSL

⊗ To differentiate between XC and water cooled replacement liners see "R" dimensions (pipe size)

⊗ ⊗ Two required per 3-15/16 thru 4-15/16 sizes; three for 5-7/16 and larger
All sizes are pre-machined for accessories: thermocouples, circulating oil, vibration detector, heater and thermostat

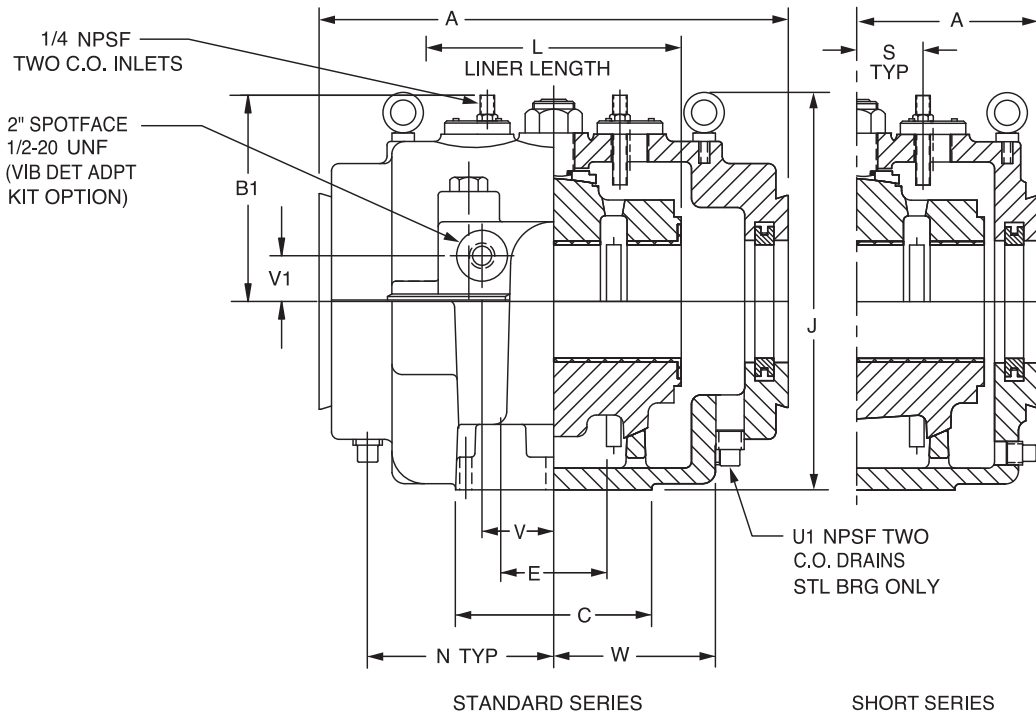
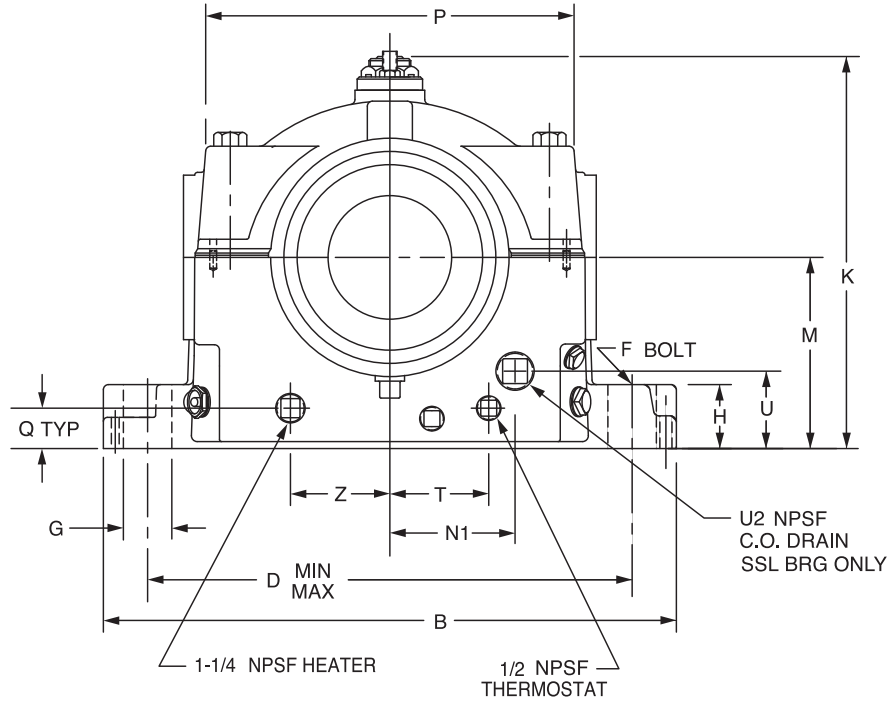
FEATURES/BENEFITS PAGE B18-3	HOW TO ORDER/NOMENCLATURE PAGE B18-7	SELECTION PAGE B18-8	ACCESSORIES PAGE B18-22
---------------------------------	---	-------------------------	----------------------------



SELECTION/DIMENSIONS

SLEEVOIL - R Series

9", 10", 12" & 14" PLAIN SLEEVOIL PILLOW BLOCKS





SELECTION/DIMENSIONS

SLEEVOIL - R Series 9", 10", 12" & 14" PLAIN SLEEVOIL PILLOW BLOCKS

Shaft Size	Plain Expansion Pillow Blocks				Split Thrust Collars	
	STL		SSL (Short Series Expansion Only)		2 Collars Required To Make A Non-Expansion STL Pillow Blocks	
	Part No.	Wt.	Part No.	Wt.	Part No.	Wt.
9	132766	1235	132924	1168	133959	54
10	132767	1240	132925	1105	133960	52
12	132768	2000	132926	1785	133961	68
14	431399	3400	430561	3000	431389	75

Shaft Size	Auxiliary Seal Kits ##		Housing End Cap Kits		Heater / Thermostat * 120 Volt		Circulating Oil Inlet Kits >		Neoprene End Closure##		Replacement Plain Liner Assemblies	
	Part No.	Wt.	Part No.	Wt.	Part No.	Wt.	Part No.	Wt.	Part No.	Wt.	Part No.	Wt.
9	132814	23.1	132564	15.9	434727	3.0	430155	2.0	133996	1.5	133550	327
10	132816	24.2	132565	16.4	434727	3.0	430155	2.0	133995	1.6	133669	450
12	132819	40.0	132566	25.0	434729	4.0	430155	2.0	133997	1.9	133392	650
14	132822	36.0	132567	25.0	434729	4.0	430155	2.0	430831	1200

Shaft Size	A		B	C	D (Min.-Max.)	E	F-Bolt	G	H		J	
	STL	SSL	STL & SSL	STL & SSL	STL & SSL	STL & SSL	STL & SSL	STL & SSL	STL	SSL	STL	SSL
9	27-3/4	21	34	14-1/2	25-5/8 - 28-7/8	7-1/2	1-3/4	3-1/2	5-7/8	4	22-3/8	23-1/2
10	27-3/4	21	34	14-1/2	25-5/8 - 28-7/8	7-1/2	1-3/4	3-1/2	5-7/8	4	22-3/8	23-1/2
12	30	23-1/4	40	17	31-1/4 - 34-3/4	9	2	4	6-3/4	6-3/4	29-5/16	29-5/16
14	34	26-1/4	46-1/8	18	36-1/2 - 40-1/2	10	2	4	7	...	35-1/8	35-1/8

Shaft Size	K	L	M	N	N1	P	S	T		U	U1	U2	V	Wt. (lbs.)	
	STL & SSL	STL & SSL	STL & SSL	STL	SSL	STL & SSL	STL & SSL	STL	SSL	SSL	STL		STL & SSL	STL	SSL
9	22-1/2	16	10-3/4	11	5-1/2	19	3	5-1/4	4	3-3/8	1-1/4	1-1/4	5	1235	1168
10	22-1/2	16	10-3/4	11	5-1/2	19	3	5-1/4	4	3-7/8	1-1/4	1-1/4	5	1240	1105
12	28-1/4	18	13-1/2	12-3/8	7-3/4	23-3/4	3-1/2	7	7	5-3/16	1-1/2	1-1/2	7	2000	1785
14	32-5/8	20	16	28-3/4	1-1/2

Shaft Size	V1		W	Z	B1
	STL	SSL	STL & SSL	STL & SSL	STL
9	1-1/2	1-1/2	9-5/8	5-1/4	12
10	1-1/2	1-1/2	9-5/8	5-1/4	12
12	2	2	11	7	14-1/2.
14	12-1/16

- ## One required per pillow block end
- > One required per pillow block
- * 220 volt heaters available. See page B18-26.

All housings are pre-machined for accessories; thermocouples, circulating oil vibration detector, heater and thermostat

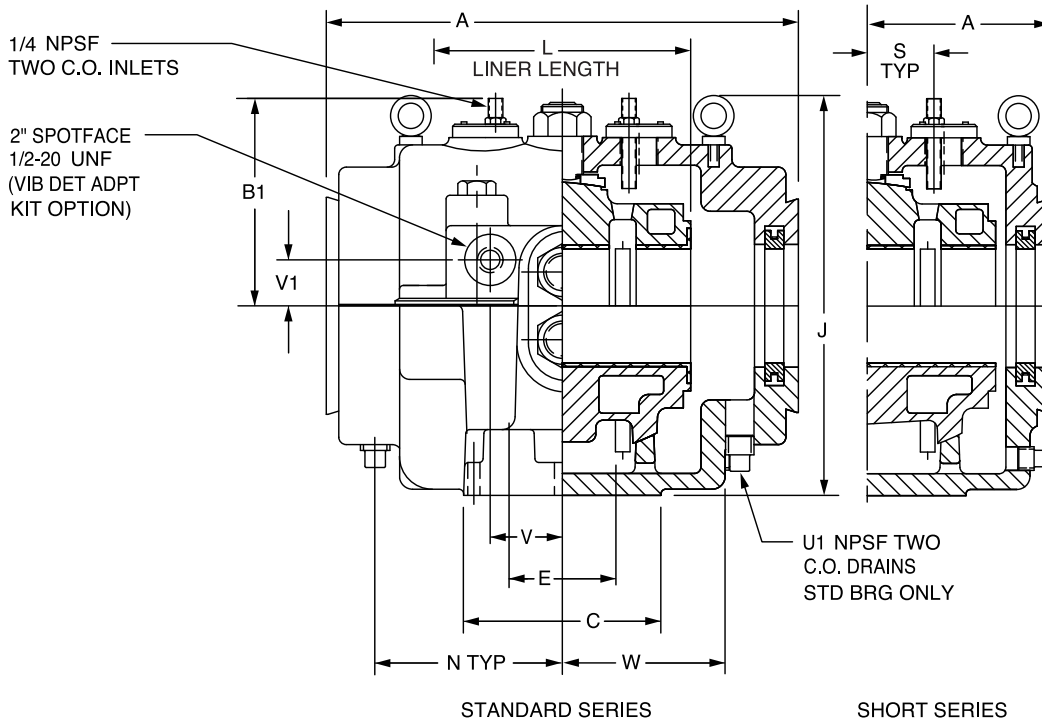
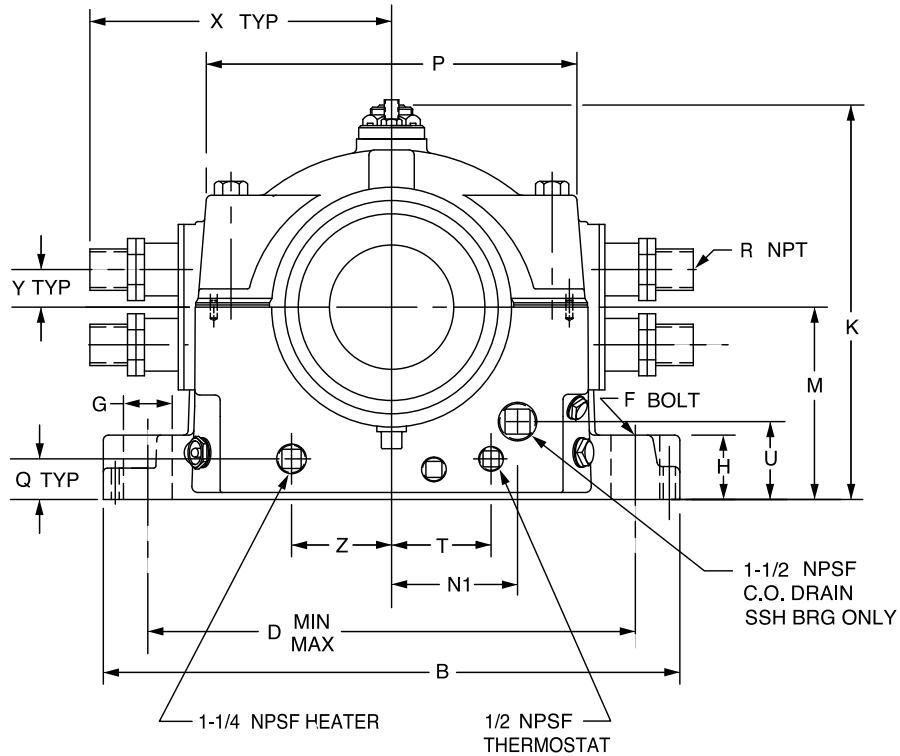
FEATURES/BENEFITS PAGE B18-3	HOW TO ORDER/NOMENCLATURE PAGE B18-7	SELECTION PAGE B18-8	ACCESSORIES PAGE B18-22
---------------------------------	---	-------------------------	----------------------------



SELECTION/DIMENSIONS

SLEEVOIL - R Series

9", 10", 12" XC SLEEVOIL PILLOW BLOCKS





SELECTION/DIMENSIONS

SLEEVOIL - R Series 9", 10", 12" XC SLEEVOIL PILLOW BLOCKS

Shaft Size	Expansion Pillow Blocks XC (Externally Cooled) (Short Series Expansion Only)				2 Collars Required To Make A Non-Expansion STL Pillow Block	
	STL-XC		SSL-XC		XC Split Thrust Collars	
	Part No.	Wt.	Part No.	Wt.	Part No.	Wt.
9	132538 ⊗	1600	133565 ⊗	1500	133303	57
10	132539 ⊗	2000	133566 ⊗	1750	133304	74
12	132559 x	3300	133305

Shaft Size	Auxiliary Seal Kits ##		Housing End Cap Kits		Heater / Thermostat * XC 120 Volt		Circulating Oil Inlet Kits >		Neoprene End Closure ##		Liner Assemblies XC	
	Part No.	Wt.	Part No.	Wt.	Part No.	Wt.	Part No.	Wt.	Part No.	Wt.	Part No.	Wt.
9	132814	23.1	132564	15.9	434729	4.0	430155	2	133996	1.5	132591	300
10	132816	24.2	132565	16.4	434729	4.0	430155	2	133995	1.6	132594	400
12	132819	40.0	132566	25.0	434729	133997	1.9	132597	600

Shaft Size	A		B		C		D (Min.-Max.)		E	
	STL	SSL	STL	SSL	STL	SSL	STL	SSL	STL	SSL
9	29	22-1/4	37	37	15-1/2	15-1/2	28-3/8 - 31-5/8	28-3/8 - 31-5/8	8	8
10	30	23-1/4	40	40	17	17	31-1/4 - 34-3/4	31-1/4 - 34-3/4	9	9
12	34	...	46	...	18	...	36-5/8 - 40-3/8	10

Shaft Size	F-Bolt		G		H		J		K		L	M
	STL	SSL	STL	SSL	STL	SSL	STL	SSL	STL	SSL	XC	STL & SSL
9	1-3/4	1-3/4	3-1/2	3-1/2	6	6	26-13/16	26-3/4	25-1/2	25-1/2	17	12
10	2	2	4	4	6-3/4	6-3/4	29-5/16	29-1/4	28-1/4	28-1/4	18	13-1/2
12	2	4-1/8	7	7	34-3/4	29-5/16	33-1/16	20	16

Shaft Size	N	N1	P		Q	R Pipe	S	T	U	U1	V	V1
	STL	SSL	STL	SSL	STL & SSL	XC	STL & SSL	STL & SSL	SSL	STL	STL & SSL	STL & SSL
9	11-7/8	5-3/4	21-3/4	21-3/4	2-1/2	1-1/4	3-3/8	6-3/8	5-1/8	1-1/2	5	1-1/2
10	12-3/8	5-1/2	23-3/4	23-3/4	3	1-1/2	3-1/2	7	6-1/8	1-1/2	7	2
12	28-3/4	2

Shaft Size	W		X	Y	Z	B1	
	STL	SSL	XC	XC	STL & SSL	STL	SSL
9	10-5/8	10-5/8	16-1/4	2-1/4	6-3/8	13-5/8	13-5/8
10	11	11	17-1/2	2-5/8	7	14-1/2	14-1/2
12	12-1/16	20-1/4

One required per pillow block end
> One required per pillow block

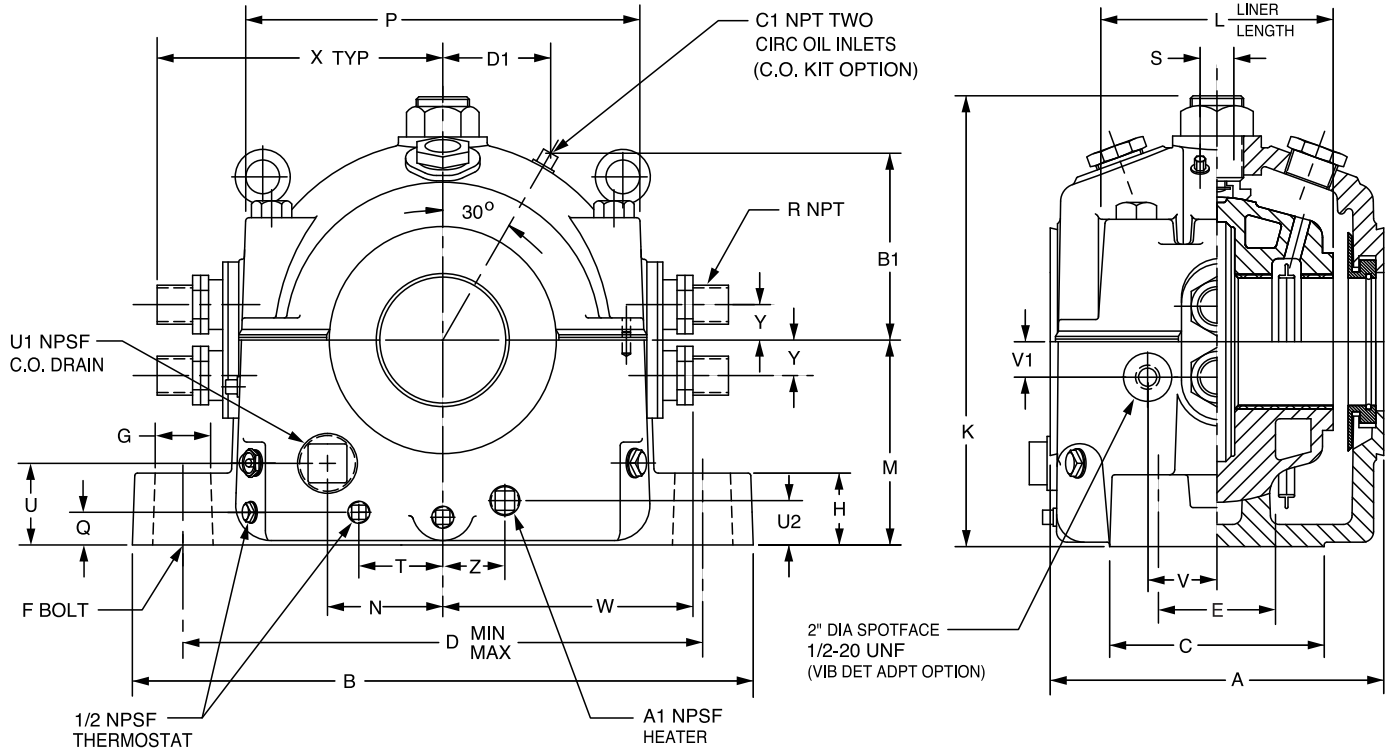
⊗ All housings are pre-machined for accessories; thermocouples, circulating oil vibration detector, heater and thermostat
x Assembled-to-order, Not "L" version
* 220 volt heaters available. See page B18-26.

FEATURES/BENEFITS PAGE B18-3	HOW TO ORDER/NOMENCLATURE PAGE B18-7	SELECTION PAGE B18-8	ACCESSORIES PAGE B18-22
---------------------------------	---	-------------------------	----------------------------



SELECTION/DIMENSIONS

SLEEVOIL - RTL Series 3-7/16" THRU 12" RTL SLEEVOIL PILLOW BLOCKS



Shaft Size	Expansion Pillow Blocks		One of Each Required to Make a Non-Expansion Pillow Block				Auxiliary Seal Kits # #		Housing End Cap Kits		Heater / Thermostat *	
			Thrust Plate Kits		Split Thrust Collar ⊗ ⊗							
	Part No.	Wt.	Part No.	Wt.	Part No.	Wt.	Part No.	Wt.	Part No.	Wt.	Part No.	Wt.
3-7/16	132474	190	137101	2.5	132151	2.6	132811	4.9	132542	5.3	434721	1.0
3-15/16	132475	230	137102	4.3	132152	4.2	432181	6.4	432190	6.1	434725	2.5
4-7/16	132476	300	137103	5.4	132153	5.6	432184	7.0	432193	6.8	434725	2.5
4-15/16	132477	425	137104	6.9	132154	8.7	432187	7.5	432196	7.3	434727	3.0
5-7/16	132383	500	137105	10.2	132155	10.8	133932	12.4	132546	11.6	434727	3.0
6	132384	825	137106	12.7	132156	15.9	133933	14.8	132547	10.6	434727	3.0
7	132385	978	137107	17.6	132157	22.4	133937	19.0	132548	13.5	434729	4.0
8	132386	1310	137108	23.1	132158	34.5	133938	24.9	132549	15.5	434729	4.0
9	132387	1650	137109	42.6	132159	45.9	132814	23.1	132564	15.9	434729	4.0
10	132388	2150	137110	52.7	132160	59.8	132816	24.2	132565	16.4	434729	4.0
12	132389	3500	137111	74.1	132161	96.4	132819	40.0	132566	25.0	434735	7.5

* 220 volt heaters available. See page B18-26.

FEATURES/BENEFITS PAGE B18-3	HOW TO ORDER/NOMENCLATURE PAGE B18-7	SELECTION PAGE B18-8	ACCESSORIES PAGE B18-22
---------------------------------	---	-------------------------	----------------------------



SELECTION/DIMENSIONS

SLEEVOIL - RTL Series 3-7/16" THRU 12" RTL SLEEVOIL PILLOW BLOCKS

Plummer Blocks

Sleeve Bearings

SLEEVOIL

Take-Up Frames

Engineering

Part Number Index

Keyword Index

Shaft Size	Circulating Oil Inlet Kits >		Replacement Liner Assemblies		A	B	C	D (Max.-Min.)	E	F Dia. Bolt	G	H	K
	Part No.	Wt.	Part No.	Wt.									
3-7/16	132203	2	132420	47	10	18-3/4	6	16-1/8 - 14-7/8	3	3/4	1-1/2	2	12-9/16
3-15/16			132421	65	10-3/4	20-3/4	7	18 - 16-1/2	3-1/2	7/8	1-3/4	2-1/4	13-5/8
4-7/16			132422	82	11-3/4	21-3/4	7-1/2	18-7/8 - 17-1/8	4	1	2	2-1/2	15-1/4
4-15/16			132423	113	12-3/4	24-1/4	8-1/2	21-3/8 - 19-5/8	4-1/2	1	2	2-3/4	17-3/8
5-7/16			132424	144	14	26-3/4	9-1/2	23-1/4 - 21-1/4	5	1-1/8	2-1/4	3-1/4	18-7/8
6	132205	2	132425	182	16	29	10-1/2	25-1/8 - 22-7/8	5-1/2	1-1/4	2-1/2	3-1/2	20-1/8
7			132426	257	18	33	12-1/2	28-7/8 - 26-1/8	6-1/2	1-1/2	3	4	22-3/8
8			132427	412	19-3/4	38	14	33-1/8 - 29-7/8	7-1/2	1-3/4	3-1/2	4-1/2	25-13/16
9			132428	623	22-3/4	41-1/2	15-1/2	36-5/8 - 33-3/8	8	1-3/4	3-1/2	5	28-1/4
10			132429	955	24-1/2	47-1/2	17	41-7/8 - 38-1/8	9	2	4	6	33-7/8
12			132430	1405	29	49	18	43-5/8 - 41-7/8	10	2	3	6-1/2	37

Shaft Size	L	M	N	P	Q	R	S	T	U	U1	U2
3-7/16	6-3/4	5-7/8	3-5/8	11-5/8	1-1/8	3/4	1-3/8	2-3/4	1-1/2	1-1/8
3-15/16	7-1/4	6-1/2	4-3/8	12-7/8	1-1/8	1	1-1/2	2-15/16	1-1/2	1-1/4
4-7/16	8	7	4-1/2	13-3/4	1-1/4	1	1-1/2	2-15/16	1-1/2	1-3/8
4-15/16	8-7/8	7-3/4	5-1/8	16	1-1/4	1-1/4	1-5/8	3-1/4	2	1-1/2
5-7/16	10	8-3/4	5-3/4	17-1/4	1-5/8	1-1/4	2	2-15/16	3-3/4	2	1-7/8
6	10-7/8	9-1/2	6-1/4	18-3/4	1-5/8	1-1/4	2-1/8	3-1/2	4	2	1-7/8
7	12-1/2	10-3/4	6-7/8	21-1/4	2	1-1/4	2-1/4	4	4-1/4	2	2
8	14-1/8	12-1/4	8-1/2	24-1/4	2-1/4	2	2-3/8	5-1/2	4-3/4	2	2-1/4
9	16-1/4	13-1/2	9-3/16	27-1/4	2-1/4	2	3	5-1/2	5-1/16	2	2-1/4
10	17-3/4	16	11	31	2-7/8	2-1/2	3-1/8	8-1/2	5-9/16	2-1/2	2-7/8
12	20-3/4	17-3/4	12-7/16	35-1/2	3-1/8	3	3-1/4	9	6-1/8	2-1/2	3-1/8

Shaft Size	V	V1	W ±3/16	X	Y	Z	A1	B1	C1	D1
3-7/16	3-1/4	3/4	7-5/8	8-3/4	1-1/4	3-9/16	3/4	7-1/4	1/4	4-3/16
3-15/16	3	1-1/2	8-11/16	9-13/16	1-1/4	4-1/16	1	7-11/16	1/4	4-9/16
4-7/16	3-1/4	1-5/8	9-1/8	10-1/4	1-1/4	4-7/16	1	8-1/8	1/4	4-5/8
4-15/16	3-3/4	1-3/4	10-3/4	12-7/16	1-7/8	5-3/8	1-1/4	8-1/2	1/4	4-15/16
5-7/16	4	1-3/4	11-7/16	12-7/8	1-7/8	5-5/8	1-1/4	9-1/16	1/4	5-1/4
6	3-3/4	2	12-3/16	13-1/2	1-7/8	6-1/8	1-1/4	10-7/8	3/8	6-5/16
7	4-1/2	2	13-3/16	14-5/8	1-7/8	6-7/8	1-1/4	12-1/16	3/8	6-15/16
8	5	2	15-11/16	17-7/8	2-1/4	8-3/8	1-1/4	13-1/8	3/8	7-3/16
9	5-1/2	2	17-1/8	19-1/4	2-1/4	9-1/16	1-1/4	14-3/16	3/8	8-3/16
10	6	2	19-13/16	22-1/2	2-3/4	10-5/8	1-1/4	15-1/8	3/8	8-3/4
12	6-1/2	2	22	24-1/4	3-1/2	12-1/8	1-1/4	19-1/2	3/8	9-9/16

One required per pillow block end

> One required per pillow block

* 220 volt heaters available. See page B18-26.

⊗⊗ For recessed shaft

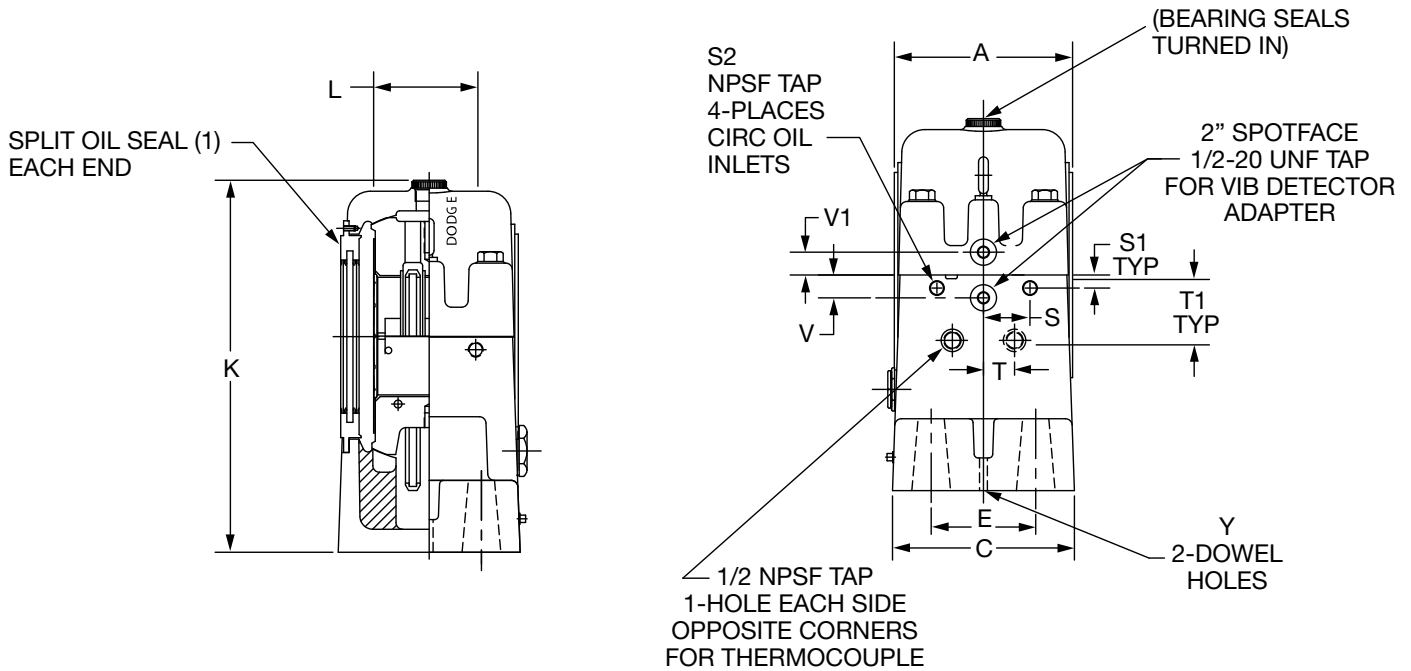
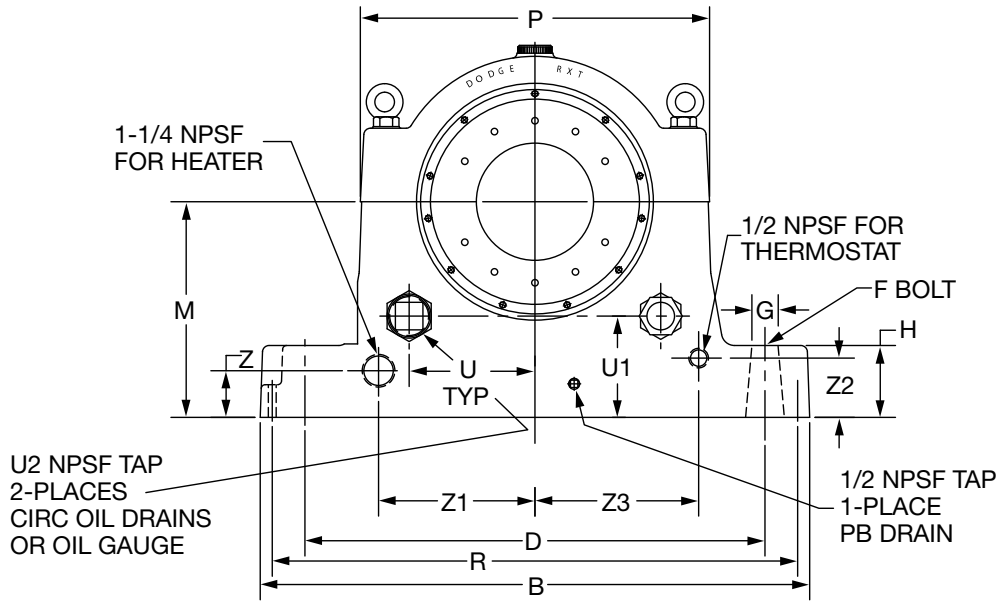
All sizes are pre-machined for accessories; thermocouples, circulating oil, vibration detector, heater and thermostat

FEATURES/BENEFITS PAGE B18-3	HOW TO ORDER/NOMENCLATURE PAGE B18-7	SELECTION PAGE B18-8	ACCESSORIES PAGE B18-22
---------------------------------	---	-------------------------	----------------------------



SELECTION/DIMENSIONS

SLEEVOIL - RXT Series 6" THRU 14" RXT SLEEVOIL PILLOW BLOCKS





SELECTION/DIMENSIONS

SLEEVOIL - RXT Series 6" THRU 14" RXT SLEEVOIL PILLOW BLOCKS

Size	For Shaft	Oil (Gal.)	A	B	C	D	E	F Dia. Bolt	G	H	K	L	M	P	R
6	6, 7	3-1/4	12	34-1/2	12	29-1/2	6-1/2	1-1/2	2-5/8	4-1/2	23-1/16	6-1/2	13-1/4	21-1/2	31-1/4
8	8, 9	5-1/8	14-1/4	41-3/4	14-5/8	36	8	1-3/4	2-7/8	4-1/2	27-1/4	8-1/2	15-1/2	26-3/4	38
10	10, 12, 14	7-3/4	17-1/4	49	17-3/4	42-3/4	10	2	3-1/8	5-3/8	31-5/8	11	17-3/4	32	44

Size	For Shaft	S	S1	S2	T	T1	U	U1	U2	V	V1	Y	Z	Z1	Z2	Z3
6	6, 7	2-7/8	15/16	3/4	2	4	8-1/4	6	2-1/2	1-3/4	...	23/32	2-1/8	5-1/4	3-1/4	9-1/4
8	8, 9	3-5/8	15/16	3/4	2-3/8	5	10-1/8	6-1/2	2-1/2	1-3/4	...	23/32	3-1/8	11-1/2	4	11-3/4
10	10, 12, 14	4-9/16	1-1/4	1	3	6-1/2	12	7-5/8	2-1/2	2	...	23/32	3	14	4-1/8	14-1/2

Size	For Shaft	Housing ▲▲		S Liner Part No.	T Liner Part No. ++	Liner Wt.	Split Thrust Collar Kit *	Recessed Shaft Split Thrust Collar Kit >>	Split Seal Ring ◆	
		Part No.	Wt.						Part No.	Fits Shaft
6	6	134503	740	134716	134516	195	134886	432276	134869	6
	7			134717	134517		134887	432277	134870	7
								134871	10	
8	8	134504	1091	134718	134518	353	134888	432165	134872	8
	9			134719	134519		134889	432278	134873	9
								134874	12	
10	10	134505	2126	134720	134520	800	134890	432279	134875	10
	12			134721	134521		134891	432448	134876	12
	14			134779				134877	14-1/2	

Order housings, liners, and seals separately.
#6, 8, & 10 bearing sizes have two oil rings.

* For use with S liner only.
Back-up shoulders are required. Contact Dodge for shaft dimensions per #C11235.

▲▲ Housings include oil ring(s), sight gauge, pipe plugs, and eye bolts.

>> For use with S liner only.
Recessed shaft grooves are required.
Contact Dodge for shaft dimensions per #B48371.

++ When ordering the T liner, integral thrust collars are required. Contact Dodge for exact shaft dimensions required per #C14203.

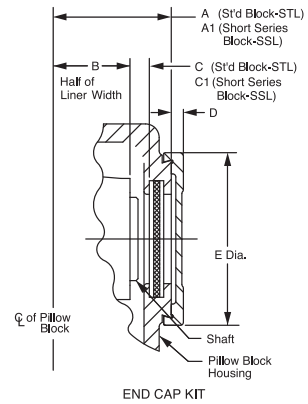
◆ One seal required for each end of housing

FEATURES/BENEFITS PAGE B18-3	HOW TO ORDER/NOMENCLATURE PAGE B18-7	SELECTION PAGE B18-8	ACCESSORIES PAGE B18-22
---------------------------------	---	-------------------------	----------------------------



MODIFICATIONS/ACCESSORIES

SLEEVOIL Traditional (Inch) 3-7/16" THRU 14" END CAP KITS SLEEVOIL ACCESSORIES



Bore Size	Pillow Block Style	End Cap Kits				A STL	A1 SSL	B #	C # STL	C1 # SSL
		Part Number	Wt.	D	E					
3-7/16	Plain/Water Cooled STL and SSL	132542	5.3	1/2	7-1/8	6-1/2	4-7/8	3-1/2	2-3/32	15/32
3-15/16	PLXC, STL and SSL	432190	6.1	1/2	8	7-1/2	5-1/2	4	2-5/8	5/8
4-7/16		432193	6.8	1/2	8-3/4	8-1/4	6-1/4	4-1/2	2-23/32	23/32
4-15/16		432196	7.3	1/2	9-1/8	9-1/8	6-7/8	5	3-3/32	27/32
5-7/16		132546	11.6	1/2	10-1/2	9-7/8	7-5/8	5-1/2	3-3/32	27/32
6		132547	10.6	1/2	11-1/2	10-5/8	8-1/8	6	3-11/32	27/32
7		132548	13.5	1/2	12-9/16	12-1/4	9-3/8	7	3-29/32	1-1/32
8		132549	15.5	1/2	14-1/2	13-7/8	10-1/2	8	4-17/32	1-5/32
9	STL Plain	132564	15.9	1/2	14-1/2	13-7/8	8	4-17/32
	XC					14-1/2	8-1/2	4-21/32
	SSL Plain					10-1/2	8	1-5/32
	SSL XC					11-1/8	8-1/2	1-9/32
10	STL Plain	132565	16.4	1/2	14-1/2	13-7/8	8	4-17/32
	XC					15	9	4-21/32
	SSL					10-1/2	8	1-5/32
	Plain					11-5/8	9	1-9/32
	SSL XC					11-5/8	9	1-9/32
12	STL Plain	132566	26	1/2	18-3/4	15	9	4-21/32
14	STD Plain	132567	26.5	1/2	18-3/4	17	10	5-21/32

Bore Size	Pillow Block Style	End Cap Kits				A	B #	C #
		Part Number	Wt.	D	E			
3-7/16	RTL	132542	5.3	1/2	7-1/8	5	3-3/8	27/32
3-15/16		432190	6.1	1/2	8	5-3/8	3-5/8	29/32
4-7/16		432193	6.8	1/2	8-3/4	5-7/8	4	1-1/32
4-15/16		432196	7.3	1/2	9-1/8	6-3/8	4-7/16	1-3/32
5-7/16		132546	11.6	1/2	10-1/2	7	5	1-5/32
6		132547	10.6	1/2	11-1/2	8	5-7/16	1-11/32
7		132548	13.5	1/2	12-9/16	9	6-1/4	1-17/32
8		132549	15.5	1/2	14-1/2	9-7/8	7-1/16	1-19/32
9		132564	15.9	1/2	14-1/2	11-3/8	8-1/8	2-1/32
10		132565	16.4	1/2	14-1/2	12-1/4	8-7/8	2-1/32
12		132566	26	1/2	18-3/4			

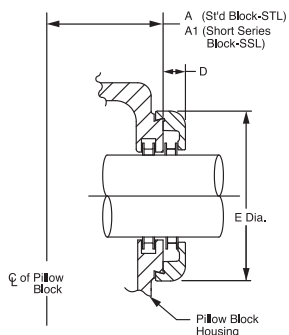
B+C (OR B+C1) = max. shaft penetration from center line of pillow block

FEATURES/BENEFITS PAGE B18-3	HOW TO ORDER/NOMENCLATURE PAGE B18-7	SELECTION PAGE B18-8	SELECTION/DIMENSIONS PAGE B18-10
---------------------------------	---	-------------------------	-------------------------------------



MODIFICATIONS/ACCESSORIES

SLEEVOIL Traditional (Inch) 3-7/16" THRU 14" AUXILIARY SEAL KITS SLEEVOIL ACCESSORIES



AUXILIARY SEAL KIT



Bore Size	Pillow Block	Auxiliary Seal Kits				A STL	A1 SSL
	Style	Part Number	Wt.	D	E		
3-7/16	Plain/Water Cooled STL and SSL	132811	4.9	15/16	7-1/8	6-1/2	4-7/8
3-15/16	PLXC, STL and SSL	432181	6.4	15/16	8	7-1/2	5-1/2
4-7/16		432184	7.0	1	8-3/4	8-1/4	6-1/4
4-15/16		432187	7.5	1	9-1/8	9-1/8	6-7/8
5-7/16		133932	12.4	1-5/16	10-1/2	9-7/8	7-5/8
6		133933	14.8	1-5/16	11-1/2	10-5/8	8-1/8
7		133937	19.0	1-7/16	12-9/16	12-1/4	9-3/8
8		133938	24.9	1-7/16	14-1/2	13-7/8	10-1/2
9	STL Plain	132814	23.1	1-5/16	14-1/2	13-7/8
	XC					14-1/2
	SSL Plain					10-1/2
	SSL XC					8-1/2
10	STL Plain	132816	22	1-5/16	14-1/2	13-7/8
	XC					15
	SSL Plain					10-1/2
	SSL XC					11-5/8
12	STL Plain	132819	32	1-5/16	18-3/4	15
14	STD Plain	132822	30	1-5/16	18-3/4	17

Bore Size	Pillow Block	Auxiliary Seal Kits				A
	Style	Part Number	Wt.	D	E	
3-7/16	RTL	132811	4.9	15/16	7-1/8	5
3-15/16		432181	6.4	15/16	8	5-3/8
4-7/16		432184	7.0	1	3-3/4	5-7/8
4-15/16		432187	7.5	1	9-1/8	6-3/8
5-7/16		133932	12.4	1-5/16	10-1/2	7
6		133933	14.8	1-5/16	11-1/2	8
7		133937	19.0	1-7/16	12-9/16	9
8		133938	24.9	1-7/16	14-1/2	9-7/8
9		132814	23.1	1-5/16	14-1/2	13-7/8
10		132816				12-1/4
12		132819				14-1/2

FEATURES/BENEFITS PAGE B18-3	HOW TO ORDER/NOMENCLATURE PAGE B18-7	SELECTION PAGE B18-8	SELECTION/DIMENSIONS PAGE B18-10
---------------------------------	---	-------------------------	-------------------------------------



MODIFICATIONS/ACCESSORIES

SLEEVOIL - RTL Series 3-7/16" thru 12" RTL Replacement Part Kits

Shaft Size	Part Number	RTL Seal Kit
3-7/16	435001	3-7/16 SLV RTL Seal Kit
3-15/16	435002	3-15/16 SLV RTL Seal Kit
4-7/16	435003	4-7/16 SLV RTL Seal Kit
4-15/16	435004	4-15/16 SLV RTL Seal Kit
5-7/16	435005	5-7/16 SLV RTL Seal Kit
6	435006	6 SLV RTL Seal Kit
7	435007	7 SLV RTL Seal Kit
8	435008	8 SLV RTL Seal Kit
9	435009	9 SLV RTL Seal Kit
10	435010	10 SLV RTL Seal Kit
12	435011	12 SLV RTL Seal Kit

Each kit contains (2) Split Alumimun Clamp Seals, (2) O-Rings & Gasket Eliminator

Shaft Size	Part Number	RTL Grommet Kit
3-7/16	435027	3-7/16 SLV RTL Grommet Kit
3-15/16	435028	3-15/16 SLV RTL Grommet Kit
4-7/16	435028	4-7/16 SLV RTL Grommet Kit
4-15/16	435029	4-15/16 SLV RTL Grommet Kit
5-7/16	435029	5-7/16 SLV RTL Grommet Kit
6	435029	6 SLV RTL Grommet Kit
7	435029	7 SLV RTL Grommet Kit
8	435030	8 SLV RTL Grommet Kit
9	435030	9 SLV RTL Grommet Kit
10	435031	10 SLV RTL Grommet Kit
12	435032	12 SLV RTL Grommet Kit

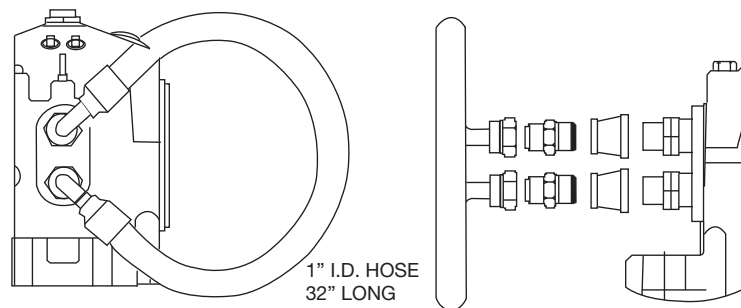
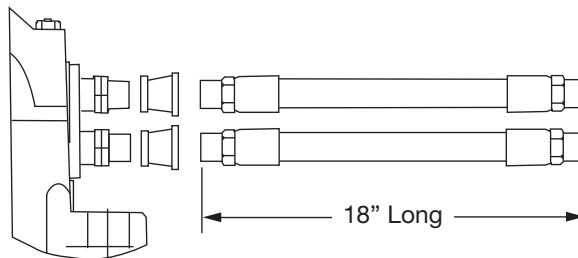
Each kit contains (2) grommets & grommet plates, (4) Lock Tubes, (8) Lock Nuts, (4) Coolant Pipes & Gasket Eliminator

Shaft Size	Part Number	RTL Plunger Screw Kit
3-7/16	435012	3-7/16" SLV RTL Plunger Screw Kit
3-15/16	435012	3-15/16" SLV RTL Plunger Screw Kit
4-7/16	435013	4-7/16" SLV RTL Plunger Screw Kit
4-15/16	435014	4-15/16" SLV RTL Plunger Screw Kit
5-7/16	435015	5-7/16" SLV RTL Plunger Screw Kit
6	435015	6" SLV RTL Plunger Screw Kit
7	435016	7" SLV RTL Plunger Screw Kit
8	435017	8" SLV RTL Plunger Screw Kit
9	435018	9" SLV RTL Plunger Screw Kit
10	435019	10" SLV RTL Plunger Screw Kit
12	435019	12" SLV RTL Plunger Screw Kit

Each kit contains Plunger Screw & Plunger Screw Locknut

Shaft Size	Part Number	RTL - SLEEVOIL Coolant Hose Kit
3-7/16	434770	3/4" SLEEVOIL Coolant Hose Kit
3-15/16	434771	1" SLEEVOIL Coolant Hose Kit
4-7/16	434771	1" SLEEVOIL Coolant Hose Kit
4-15/16	434772	1-1/4" SLEEVOIL Coolant Hose Kit
5-7/16	434772	1-1/4" SLEEVOIL Coolant Hose Kit
6	434772	1-1/4" SLEEVOIL Coolant Hose Kit
7	434772	1-1/4" SLEEVOIL Coolant Hose Kit
8	434773	2" SLEEVOIL Coolant Hose Kit
9	434773	2" SLEEVOIL Coolant Hose Kit
10	434774	2-1/2" SLEEVOIL Coolant Hose Kit
12	434775	3" SLEEVOIL Coolant Hose Kit

Each coolant hose kit contains (2) straight (inlet/outlet) hoses, (1) return hose and the required couplers, adapters and fittings.



1" I.D. HOSE
32" LONG

Coolant Hose Kit illustrated here.

FEATURES/BENEFITS PAGE B18-3	HOW TO ORDER/NOMENCLATURE PAGE B18-7	SELECTION PAGE B18-8	SELECTION/DIMENSIONS PAGE B18-10
---------------------------------	---	-------------------------	-------------------------------------



MODIFICATIONS/ACCESSORIES

SLEEVOIL - R-Series Replacement Part Kits

Shaft Size	Part Number	R-Series - SLEEVOIL Dust Seal Kits
1-7/16	389820	1-7/16 Dust Seal Kit
1-11/16	389821	1-11/16 Dust Seal Kit
1-15/16	389822	1-15/16 Dust Seal Kit
2-3/16	389823	2-3/16 Dust Seal Kit
2-7/16	389824	2-7/16 Dust Seal Kit
2-11/16	389825	2-11/16 Dust Seal Kit
2-15/16	389826	2-15/16 Dust Seal Kit
3-7/16	389827	3-7/16 Dust Seal Kit
3-15/16	389828	3-15/16 Dust Seal Kit
4-7/16	389829	4-7/16 Dust Seal Kit
4-15/16	389830	4-15/16 Dust Seal Kit
5-7/16	389831	5-7/16 Dust Seal Kit
6	389832	6 Dust Seal Kit
7	389833	7 Dust Seal Kit
8	389834	8 Dust Seal Kit
9	389835	9 Dust Seal Kit
10 *	389836	10 Dust Seal Kit
12 *	389837	12 Dust Seal Kit

Each kit contains (2) Dust Seals , (2) Seal Retainers & Gasket Eliminator

* Kit contains (4) seal retainers

Shaft Size	Part Number	R-Series - SLEEVOIL Plunger Screw Kit
3-15/16	435012	3-15/16 PL-XC Plunger Screw Kit
4-7/16	435021	4-7/16 PL-XC Plunger Screw Kit
4-15/16	435021	4-15/16 PL-XC Plunger Screw Kit
5-7/16	435013	5-7/16 PL-XC Plunger Screw Kit
6	435015	6 PL-XC Plunger Screw Kit
7	435016	7 PL-XC Plunger Screw Kit
8	435016	8 PL-XC Plunger Screw Kit
9 XC	435018	9 PL-XC Plunger Screw Kit
10 XC	435018	10 PL-XC Plunger Screw Kit
12 XC	435019	12 PL-XC Plunger Screw Kit
9 PL	435016	9 PL-XC Plunger Screw Kit
10 PL	435016	10 PL-XC Plunger Screw Kit
12 PL	435018	12 PL-XC Plunger Screw Kit

Each kit contains Plunger Screw & Plunger Screw Locknut



PL-XC grommets and grommet plates pictured here.

Shaft Size	Part Number	R-Series - Coolant Hose Kit
1-11/16	133344	1/4" SLEEVOIL Flexible Water Hose Kit
1-15/16	133344	1/4" SLEEVOIL Flexible Water Hose Kit
2-3/16	133344	1/4" SLEEVOIL Flexible Water Hose Kit
2-7/16	133344	1/4" SLEEVOIL Flexible Water Hose Kit
2-11/16	133344	1/4" SLEEVOIL Flexible Water Hose Kit
2-15/16	133344	1/4" SLEEVOIL Flexible Water Hose Kit
3-7/16	133344	1/4" SLEEVOIL Flexible Water Hose Kit
3-15/16 XC	434771	1" SLEEVOIL Coolant Hose Kit
4-7/16 XC	434771	1" SLEEVOIL Coolant Hose Kit
4-15/16 XC	434772	1-1/4" SLEEVOIL Coolant Hose Kit
5-7/16 XC	434772	1-1/4" SLEEVOIL Coolant Hose Kit
6 XC	434772	1-1/4" SLEEVOIL Coolant Hose Kit
7 XC	434772	1-1/4" SLEEVOIL Coolant Hose Kit
8 XC	434772	1-1/4" SLEEVOIL Coolant Hose Kit
9 XC	434772	1-1/4" SLEEVOIL Coolant Hose Kit
10 XC	434797	1-1/2" SLEEVOIL Coolant Hose Kit
12 XC	434773	2" SLEEVOIL Coolant Hose Kit

Each coolant hose kit contains (2) straight (inlet/outlet) hoses, (1) return hose and the required couplers, adapters and fittings.

Shaft Size	Part Number	R-Series - SLEEVOIL Grommet Kit
3-15/16	435033	3-15/16 PL-XC Grommet Kit
4-7/16	435033	4-7/16 PL-XC Grommet Kit
4-15/16	435034	4-15/16 PL-XC Grommet Kit
5-7/16	435034	5-7/16 PL-XC Grommet Kit
6	435035	6 PL-XC Grommet Kit
7	435035	7 PL-XC Grommet Kit
8	435036	8 PL-XC Grommet Kit
9 PL	435037	9 PLAIN Grommet Kit
9 XC	435038	9 XC Pipe Grommet Kit
10 PL	435037	10 PLAIN Grommet Kit
10 XC	435039	10 XC Pipe Grommet Kit
12 XC	435040	12 XC Pipe Grommet Kit

Each kit contains (2) Rubber Grommets, (2) Grommet Plates, (8) Screws, (4) Coolant Pipes - in PL-XC & XC Grommet Kits only & Gasket Eliminator

FEATURES/BENEFITS PAGE B18-3	HOW TO ORDER/NOMENCLATURE PAGE B18-7	SELECTION PAGE B18-8	SELECTION/DIMENSIONS PAGE B18-10
---------------------------------	---	-------------------------	-------------------------------------

MODIFICATIONS/ACCESSORIES



SLEEVOIL - Heater / Thermostat

Shaft Size	Part Number	RTL - Combination Heater / Thermostat - 110V
3 -7/16	434721	175 W 110V Immersion Heater / T-Stat Combo
3 -15/16	434725	260 W 110 V Immersion Heater / T-Stat Combo
4 -7/16	434725	260 W 110 V Immersion Heater / T-Stat Combo
4 -15/16	434727	480 W 110 V Immersion Heater / T-Stat Combo
5 -7/16	434727	480 W 110 V Immersion Heater / T-Stat Combo
6	434727	480 W 110 V Immersion Heater / T-Stat Combo
7	434729	740 W 110 V Immersion Heater / T-Stat Combo
8	434729	740 W 110 V Immersion Heater / T-Stat Combo
9	434729	740 W 110 V Immersion Heater / T-Stat Combo
10	434729	740 W 110 V Immersion Heater / T-Stat Combo
12	434735	1600 W 110 V Immersion Heater / T-Stat Combo

Single unit - 110V Combination Heater and Thermostat

Shaft Size	Part Number	R-Series - Combination Heater / Thermostat - 110V
2-7/16 *	132834	50 W 110V Immersion Heater
2-11/16 *	132384	50 W 110V Immersion Heater
2-15/16 *	132384	50 W 110V Immersion Heater
3-7/16	434719	100 W 110V Immersion Heater / T-Stat Combo
3-15/16	434721	175 W 110 V Immersion Heater / T-Stat Combo
4-7/16	434721	175 W 110 V Immersion Heater / T-Stat Combo
4-15/16	434721	175 W 110 V Immersion Heater / T-Stat Combo
5-7/16	434721	175 W 110 V Immersion Heater / T-Stat Combo
6	434725	260 W 110 V Immersion Heater / T-Stat Combo
7	434725	260 W 110 V Immersion Heater / T-Stat Combo
8	434727	480 W 110 V Immersion Heater / T-Stat Combo
9 XC	434729	740 W 110 V Immersion Heater / T-Stat Combo
9 PL	434727	480 W 110 V Immersion Heater / T-Stat Combo
10 XC	434729	740 W 110 V Immersion Heater / T-Stat Combo
10 PL	434727	480 W 110 V Immersion Heater / T-Stat Combo
12 XC	434729	740 W 110 V Immersion Heater / T-Stat Combo
12 PL	434729	740 W 110 V Immersion Heater / T-Stat Combo
14 PL	434729	740 W 110 V Immersion Heater / T-Stat Combo

Single unit - 110V Combination Heater and Thermostat

* Requires listed heater part number and thermostat p/n 133116

Heater / thermostat combo includes LED current indicating light and NEMA 4 LB enclosure

2-7/16", 2-11/16" and 2-15/16" heater (132834 or 434835) to be used with thermostat part 133116. Combination heater/thermostat is not available for small bore Sleeveoil bearings.



Shaft Size	Part Number	RTL - Combination Heater / Thermostat - 220V
3 -7/16	434722	175 W 220V Immersion Heater / T-Stat Combo
3 -15/16	434726	260 W 220 V Immersion Heater / T-Stat Combo
4 -7/16	434726	260 W 220 V Immersion Heater / T-Stat Combo
4 -15/16	434728	480 W 220 V Immersion Heater / T-Stat Combo
5 -7/16	434728	480 W 220 V Immersion Heater / T-Stat Combo
6	434728	480 W 220 V Immersion Heater / T-Stat Combo
7	434730	740 W 220 V Immersion Heater / T-Stat Combo
8	434730	740 W 220 V Immersion Heater / T-Stat Combo
9	434730	740 W 220 V Immersion Heater / T-Stat Combo
10	434730	740 W 220 V Immersion Heater / T-Stat Combo
12	434736	1600 W 220 V Immersion Heater / T-Stat Combo

Single unit - 220V Combination Heater and Thermostat

Shaft Size	Part Number	R-Series - Combination Heater / Thermostat - 220V
2 7/16	434835 *	50 W 220V Immersion Heater
2 11/16	434835 *	50 W 220V Immersion Heater
2 15/16	434835 *	50 W 220V Immersion Heater
3-7/16	434720	100 W 220V Immersion Heater / T-Stat Combo
3-15/16	434722	175 W 220 V Immersion Heater / T-Stat Combo
4-7/16	434722	175 W 220 V Immersion Heater / T-Stat Combo
4-15/16	434722	175 W 220 V Immersion Heater / T-Stat Combo
5-7/16	434722	175 W 220 V Immersion Heater / T-Stat Combo
6	434726	260 W 220 V Immersion Heater / T-Stat Combo
7	434726	260 W 220 V Immersion Heater / T-Stat Combo
8	434728	480 W 220 V Immersion Heater / T-Stat Combo
9 XC	434730	740 W 220 V Immersion Heater / T-Stat Combo
9 PL	434728	480 W 220 V Immersion Heater / T-Stat Combo
10 XC	434730	740 W 220 V Immersion Heater / T-Stat Combo
10 PL	434728	480 W 220 V Immersion Heater / T-Stat Combo
12 XC	434730	740 W 220 V Immersion Heater / T-Stat Combo
12 PL	434730	740 W 220 V Immersion Heater / T-Stat Combo
14 PL	434730	740 W 220 V Immersion Heater / T-Stat Combo

Single unit - 220V Combination Heater and Thermostat

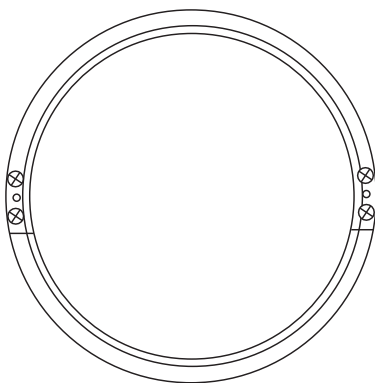
* Requires listed heater part number and thermostat p/n 133116



MODIFICATIONS/ACCESSORIES

SLEEVOIL - R Series and RTL Trapezoidal Oil Ring 1-7/16" Thru 14" Trapezoidal Section Oil Ring

- Lower operating temperatures
- Designed for existing and new Sleeveoil bearings
- Interchangeable with T-section oil ring
- Increases oil delivered to the shaft
- Increases bearing maximum operating speed range
- Increases oil ring life



Plain	PLXC or WC Repl.	RTL	T-Section Number	Trapezoidal Oil Ring Number
1-7/16			130063	135700
1-11/16	1-11/16		130044	135704
1-15/16	1-15/16		130045	135708
2-3/16	2-3/16		130047	135712
2-7/16	2-7/16		130049	135716
2-11/16	2-11/16		130050	135720
2-15/16	2-15/16		130051	135724
3-7/16	3-7/16		130054	135728
3-15/16	3-15/16	3-7/16	130056	135290
4-7/16	4-7/16	3-15/16	130057	135291
4-15/16	4-15/16	4-7/16	130058	135292
5-7/16	5-7/16	4-15/16	130059	135293
6	6	5-7/16	130060	135294
		6	130078	135295
7	7		130062	135136
8	8	7	130065	135296
9, 10		8	130066	135297
	9		130067	135137
		9	130068	135298
	10		130064	135138
12			130070	135732
	12	10	130073	135299
14			130069	135736
		12	130071	135135

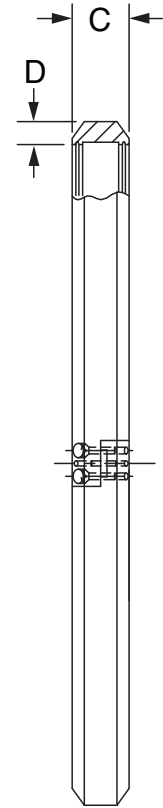
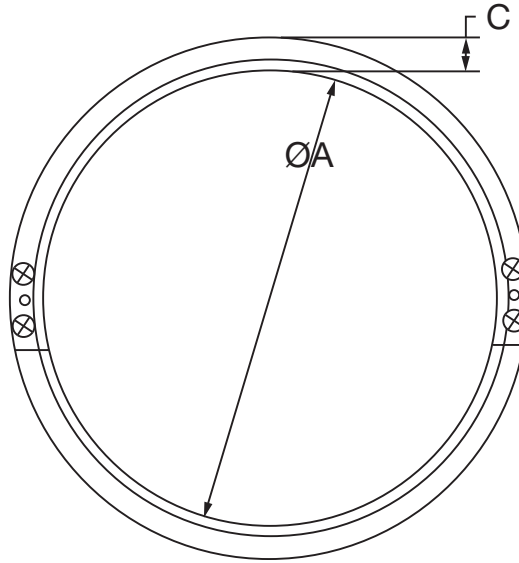
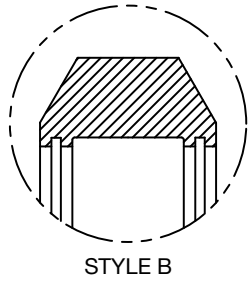
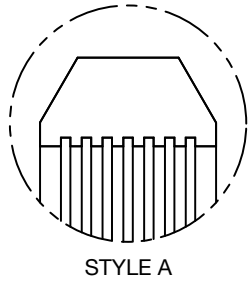
Note: T-section oil rings will be discontinued and superseded to the Trapezoidal oil rings as inventory is depleted.

FEATURES/BENEFITS PAGE B18-3	HOW TO ORDER/NOMENCLATURE PAGE B18-7	SELECTION PAGE B18-8	SELECTION/DIMENSIONS PAGE B18-10
---------------------------------	---	-------------------------	-------------------------------------



MODIFICATIONS/ACCESSORIES

SLEEVOIL RXT Pillow Blocks 2-15/16" THRU 12" Trapezoidal Section Oil Ring SLEEVOIL ACCESSORIES

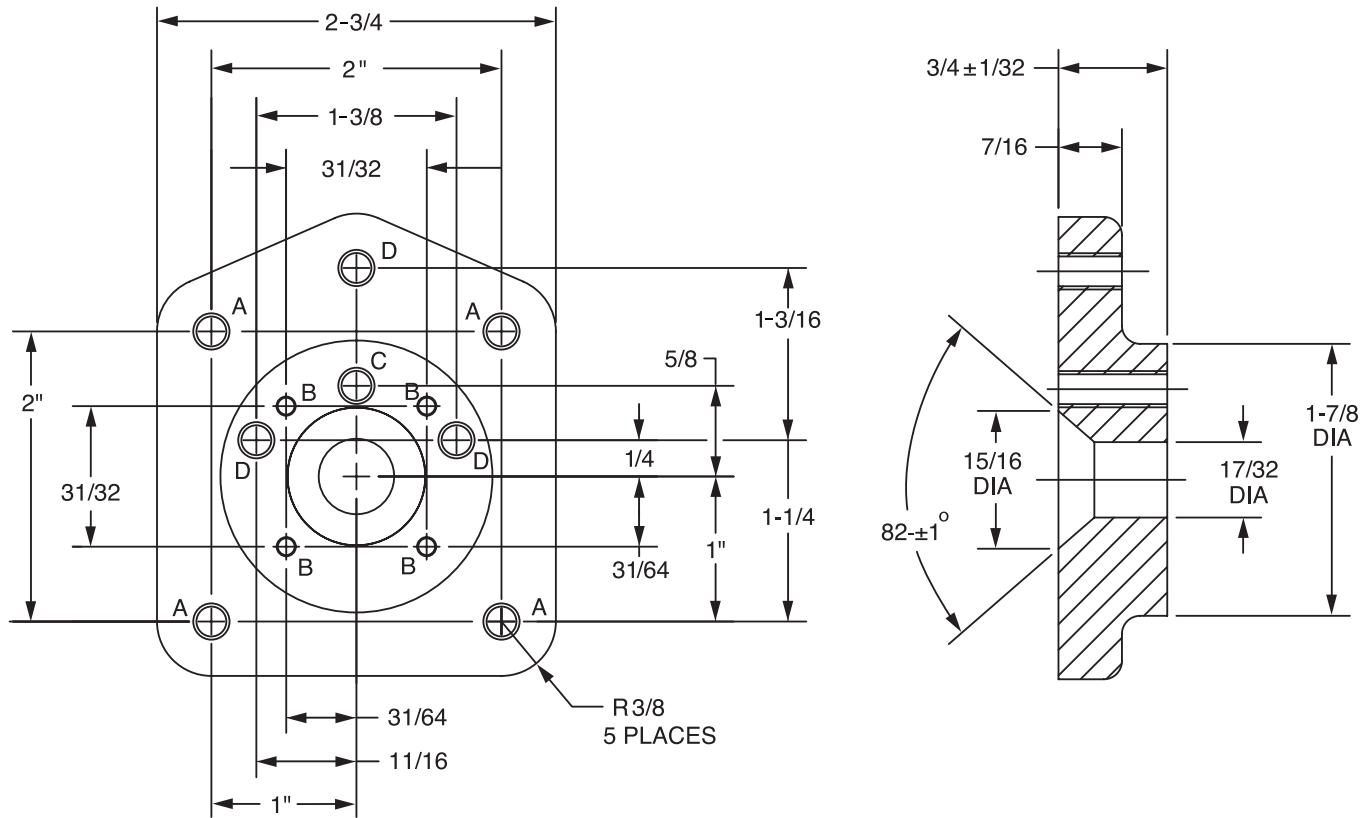


Ring No.	Shaft Size	Part Number	WT. (Lbs)	Style	Ø A	Ø B	C	D
3	2-15/16 3-7/16	134796	3.38	A	6-3/4	7-3/4	1	1/2
4	3-15/16 4-7/16	134798	4.10	A	8-1/4	9-3/8	1-9/64	9/16
5	4-15/16 5-7/16	134800	5.21	A	10-5/8	11-3/4	1-9/64	9/16
6	6 7	134803	5.65	B	12-1/2	13-5/8	1-9/64	9/16
8	8 9	134806	6.89	B	15-1/4	16-3/8	1-9/64	9/16
10	10 12	134809	8.25	B	18-1/4	19-3/8	1-9/64	9/16



MODIFICATIONS/ACCESSORIES

SLEEVOIL VIBRATION DETECTOR ADAPTER KIT PART NUMBER 430153



Vibration Detector Adapter Kit

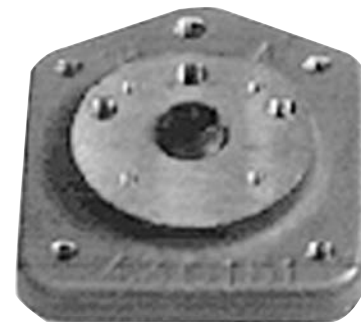
Part Number 430153

SLEEVOIL Accessories

- (A) Hole 5 (.2055) Dia. Drill Thru 1/4-20 Tap Thru - A30935
- (B) Hole #32 (.116) Dia. Drill Thru 6-32 Tap Thru - A30936
- (C) Hole 7/32 Dia. Drill Thru 1/4-28 Tap Thru - A30937
- (D) Hole 5 (.2055) dia. Drill Thru 1/4-20 Tap Thru - A30938

Blank Vibration Detector Adapter Kit

Part Number 433326



Plummer Blocks

Sleeve Bearings

SLEEVOIL

Take-Up Frames

Engineering

Part Number Index

Keyword Index

FEATURES/BENEFITS PAGE B18-3	HOW TO ORDER/NOMENCLATURE PAGE B18-7	SELECTION PAGE B18-8	SELECTION/DIMENSIONS PAGE B18-10
---------------------------------	---	-------------------------	-------------------------------------

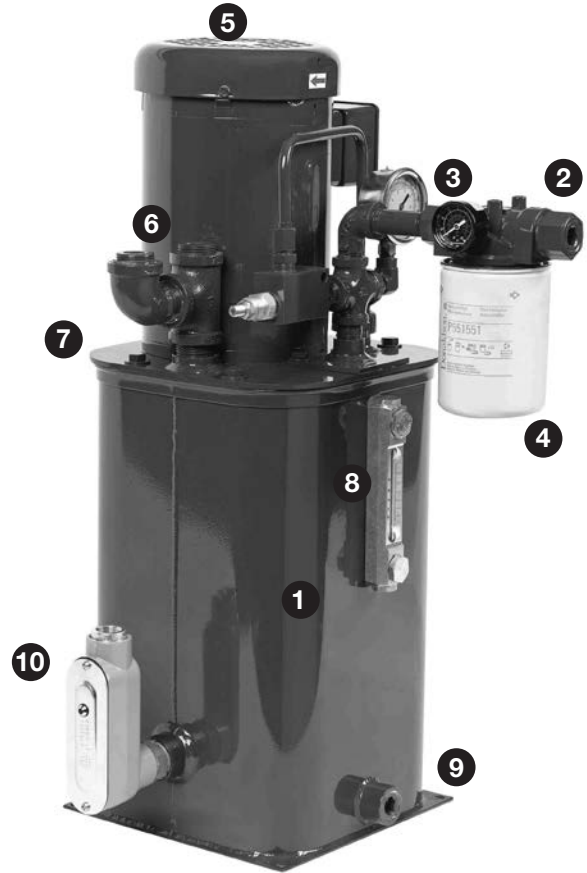


MODIFICATIONS/ACCESSORIES

SLEEVOIL ONE SYSTEM FOR TWO SLEEVOIL BEARINGS

Oil level and filtration system fits all Dodge SLEEVOIL Bearing

- ❶ Five Gallon Tank
- ❷ Oil Pump Supply Line
- ❸ Pressure Gauge
- ❹ Spin on Filter
- ❺ Standard NEMA Motor
- ❻ Return Line Connection—1" NPT coupling with two inlets
- ❼ Removable Tank Cover
- ❽ Oil Level/Temperature Gauge
- ❾ Mounting Bracket
- ❿ Immersion Heater & Thermostat **Option**—1"NPT Port
- ⓫ Filtered Breather (not shown)
- ⓬ Nameplate (not shown)



Oil Level Filtration System Part Numbers:

Description	Part Number
Single Phase Motor*, 2.0 GPM Pump	077587
Three Phase Motor*, 2.0 GPM Pump	077588
Three Phase XP-Motor*, 2.0 GPM Pump	077589
Three Phase Motor (575V) 2.0 GPM Pump	077484

*Single Phase Motor 60 Hz 120 Volt *Three Phase Motor 50/60 Hz 230/460 Volt

Optional Parts¹

Description	Part Number
Combination Heater/Thermostat 260 Watt, 120 Volt Heater	434725
Combination Heater/Thermostat 260 Watt, 240 Volt Heater	434726
Flow Meter Kit	079498
Desiccant Filter Kit (to be installed in series with standard filter)	079754

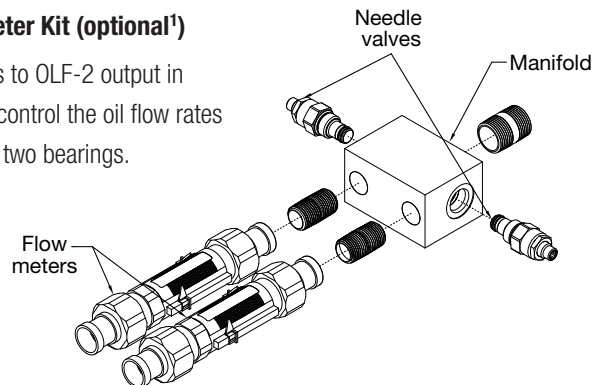
¹Not included with OLF2. Order desired part if required.

Oil Inlet Connections:

SLEEVOIL Series	Bore Sizes	Need Circulating Oil Grommet Kit Part Number
R Series	1-7/16" – 3-7/16"	Not Required
	3-15/16"	432153
	4-7/16" – 4-15/16"	430198
	5-7/16" – 12"	430155
RTL Series	3-7/16" – 5-7/16"	132203
	6" – 12"	132205

Flow Meter Kit (optional¹)

Connects to OLF-2 output in order to control the oil flow rates between two bearings.



FEATURES/BENEFITS PAGE B18-3	HOW TO ORDER/NOMENCLATURE PAGE B18-7	SELECTION PAGE B18-8	SELECTION/DIMENSIONS PAGE B18-10
---------------------------------	---	-------------------------	-------------------------------------



MODIFICATIONS/ACCESSORIES

Dodge SLEEVOIL Bearing Isolator RTL AND R-SERIES PILLOW BLOCKS

Plummer Blocks

Sleeve Bearings

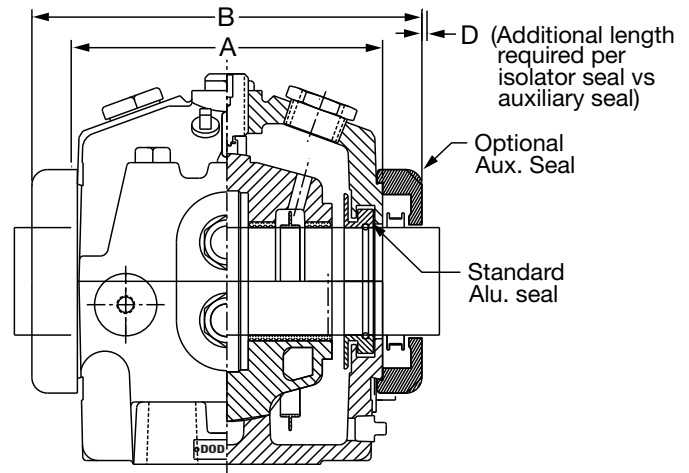
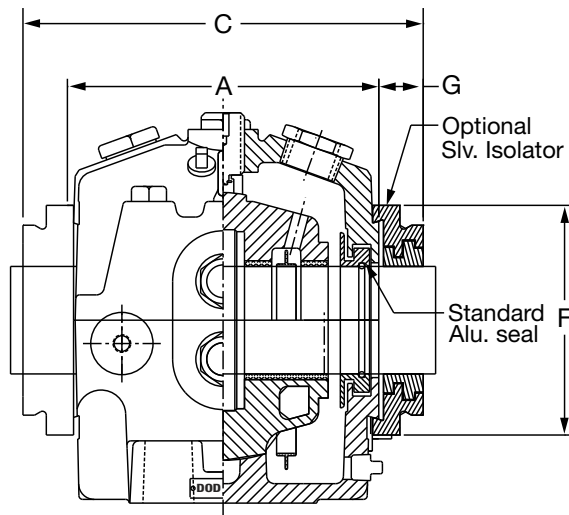
SLEEVOIL

Take-Up Frames

Engineering

Part Number Index

Keyword Index



RTL HOUSING LENGTH THRU BORE WITH DODGE SEAL OFFERINGS

Size (Inches)	Part No	A*	B*	C*	D*	E*	F*	G*
3-7/16	434706	10	11-7/8	12-5/8	3/8	3/4	7-3/8	1-5/16
3-15/16	434707	10-3/4	12-5/8	13-3/8	3/8	3/4	8-1/4	1-5/16
4-7/16	434708	11-3/4	13-3/4	14-3/8	5/16	5/8	9	1-5/16
4-15/16	434709	12-3/4	14-3/4	15-3/8	5/16	5/8	9-1/2	1-5/16
5-7/16	434710	14	16-5/8	16-5/8	0	0	10-3/4	1-5/16
6	434711	16	18-5/8	18-7/8	1/8	1/4	11-5/8	1-7/16
7	434712	18	20-7/8	20-7/8	0	0	12-3/4	1-7/16
8	434713	19-3/4	22-5/8	22-5/8	0	0	14-3/4	1-7/16
9	434714	22-3/4	25-3/8	25-5/8	1/8	1/4	14-3/4	1-7/16
10	434715	24-1/2	27-1/8	27-3/8	1/8	1/4	14-3/4	1-7/16
12	434716	29	31-5/8	31-7/8	1/8	1/4	18-1/2	1-7/16

NOTES:

- A - Length thru housing bore with standard aluminum seal
- B - Length thru housing bore with optional auxiliary seals
- C - Length thru housing bore with optional isolator seals
- D - Additional length required per isolator seal vs auxiliary seal
- E - Additional shaft length required
- F - Isolator outside diameter
- G - Isolator width from housing end face
- * - Isolator can also be used with R-Series Pillow Blocks

NOTE: For further information regarding Dodge SLEEVOIL Bearing Isolator, see page B18-6

FEATURES/BENEFITS PAGE B18-3	HOW TO ORDER/NOMENCLATURE PAGE B18-7	SELECTION PAGE B18-8	SELECTION/DIMENSIONS PAGE B18-10
---------------------------------	---	-------------------------	-------------------------------------



NOTES

Plummer Blocks

Sleeve Bearings

SLEEVOIL

Take-Up Frames

Engineering

Part Number Index

Keyword Index



Take-Up Frames

Features / Benefits	B19-2
How To Order	B19-6
Nomenclature	B19-7
Selection/Dimensions	
Narrow Slot	B19-8
Wide Slot	B19-11
ULTRA KLEEN Stainless Steel	B19-12
Telescoping	B19-15
Top Angle	B19-20
TPHU	B19-24
Center Pull	B19-26
LD Protected Screw	B19-30
HD Protected Screw	B19-36
BRONZOIL®	B19-44
Type A & B	B19-45
Part Number Index	INDEX-1
Key Word Index	KEYWORD-1



FEATURES/BENEFITS

Plummer Blocks

Sleeve Bearings

SLEEVOIL

Take-Up Frames

Engineering

Part Number Index

Keyword Index

Take-Up Frames

The flexibility of the ten basic take-up frames allow for the mounting of DODGE Ball, Roller, and Sleeve Bearings to encompass the vast range of conveyor, belt, and chain take-up applications.

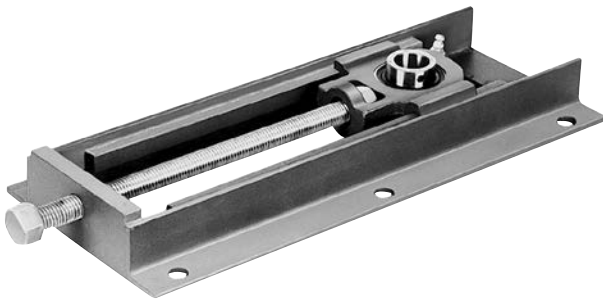
Narrow Slot Take-Up Frame - NS



Five sizes of Narrow Slot Ball Bearing Take-Up Frames-Eleven (11) take-up frames with travels of 6 to 18 inches for:

- GT & GTM Narrow Slot Take-Up Bearings from 3/4" through 2-7/16" shaft size and metric 20mm to 60mm.
- SC, VSC & SCM Ball Bearing Take-Up Bearing from 1/2" through 2-7/16" shaft size, and metric 20 mm to 60 mm.
- SXV and SXR Ball Bearing Take-Up Bearing from 3/4" through 2-7/16" shaft size.
- DL Ball Bearing Take-Up Bearing from 3/4" through 1-7/16" shaft size.
- LT700 and LT1000 SOLIDLUBE Take-Up Bearing from 3/4" through 2-1/2" shaft size.

Wide Slot Take-Up Frame - WS



Six sizes of Wide Slot Ball Bearing Take-Up Frames-Thirty (30) take-up frames with travels of 1-1/2 to 30 inches for:

- GT & GTM Wide Slot Ball Bearings from 3/4" through 3" shaft size and metric 20mm to 75mm.
- SC, VSC and SCM Wide Slot Take-Up Bearings from 1/ 2" through 3" shaft size, and metric 20 mm to 75 mm.
- SXV and SXR Wide Slot Take-Up Bearings from 3/4" through 2-7/16" shaft size.
- DL Ball Bearing Take-Up Bearing from 1-7/16" through 1-15/16" shaft size.
- LT700 and LT1000 SOLIDLUBE Wide Slot Take-Up Bearing from 3/4" through 3" shaft size.

Telescoping Take-Up Frame - TS



Telescoping Take-Up Frames

- Space saving telescoping take-up frame quickly mounts to the side of a conveyor
- Use any standard ball or roller bearing 2-bolt pillow block
- Factory lubricated adjustment screw
- Internal take-up frame screw is protected from the surrounding environment
- Bearing mounting plate is standard on all Dodge telescoping take-up frames.

Available Options

- Four bolt mounting plate (4B)
- Tapped base mounting plate (TB)
- Weld-on frame (without mounting feet) (WF)
- Stainless Steel (SS)
- Grease Fitting (GF)



FEATURES/BENEFITS

Take-Up Frames

Top Angle Take-Up Frame - TP



Six sizes of Top Angle Take-Up Frames-Thirty-Six (36) Take-Up frames with travels of 12 to 48 inches for:

- GLT-700 & GLT-1000 Series (SOLIDLUBE Sleeve) Take-Up bearings from 1-15/16" through 3" shaft size.
- Type H (Babbitted Sleeve) Take-Up bearings from 1-15/16" through 3-15/16" shaft size.
- Type G (SC Ball Bearing) Take-Up bearings from 1-15/16" through 2-15/16" shaft size.
- Type GXR (SXR Ball Bearing) Take-Up bearings from 1-15/16" through 2-7/16" shaft size.
- Type GM (SCM Ball Bearing) Take-Up bearings from 1-11/16" through 3-1/2" shaft size.
- Type E (Tapered Roller) Take-Up bearings from 1-3/4" through 4" shaft size.
- Type K (Tapered Roller) Take-Up bearings from 1-3/4" through 3-15/16" shaft size.
- TP S2000 (Spherical Roller) Take-Up bearings from 1-7/8" through 4" shaft size.

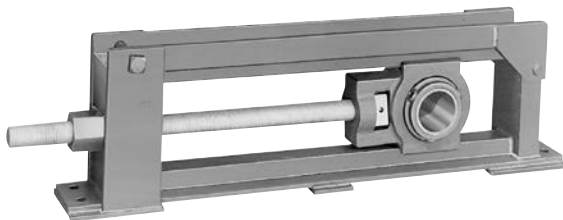
TPHU Take-Up Frame



Six sizes of TPHU Take-Up Frames-Twenty-Four (24) Take-Up frames with travels of 12 to 36 inches for:

- TPHU S-2000 (Spherical Roller) Take-Up Bearings from 1-7/8" through 5" shaft size.

Center Pull Take-Up Frame - CP



Nine sizes of Center Pull Wide Slot Take-Up Frames-Forty-five (45) take-up frames with travels of 12 to 36 inches for:

- Type E tapered wide slot bearing from 1-3/8" to 3" bore size.
- Type K tapered wide slot bearing from 1-3/8" to 3" bore size.
- S-2000 spherical wide slot bearing from 1-1/8" to 5" bore size.
- Imperial spherical wide slot bearing from 1-7/16" to 4" bore size.
- U.S. Patent No. 4,676,670



FEATURES/BENEFITS

Take-Up Frames

BRONZOIL Take-Up Frame - BOTU



One size of BRONZOIL® Sleeve Bearing Take-Up-The BRONZOIL Take-Up is recommended for light-to-medium loads and for use at moderate speeds; such as package conveyors, light material handling installations, or other similar applications.

There are 6 take-ups from 1/2" through 1" shaft size with 4 inch travel.

Light Duty Take-Up Frame - LD



Six sizes of LD Protected Screw Take-Up Frames - Forty-Five (45) take-up frames with 6 to 48 inch travel for:

- SC/SCB (Ball Bearing) pillow blocks from 1/2" through 2-15/16" bore size.
- SXR/SXRB & SXV/SXVB (Ball Bearing) pillow blocks from 1/2" through 2-7/16" bore size
- DL/DLB (Ball Bearing) pillow blocks from 3/4" through 2-15/16" bore size.
- SCM (Ball Bearing) pillow blocks from 1-7/16" through 3-1/2" bore size.
- DLM (Ball Bearing) pillow blocks from 1" through 3-7/16" bore size
- Babbitted (Sleeve) Solid Journal bearing from 1/2" through 2-15/16" bore size.
- SOLIDLUBE (Sleeve) LT700 and LT1000 Series pillow blocks from 3/4" through 3" bore size.
- SOLIDLUBE (Sleeve) LTB700 and LTB1000 Series pillow blocks from 3/4" through 2-1/2" bore size.
- UNISPHERE (Spherical Roller) two (2) bolt base pillow block from 1-7/16" through 3-1/2" bore sizes.
- Imperial (Spherical Roller) two (2) bolt base pillow block from 1-7/16" through 3-15/16" bore size.
- SCH, SCH-E SXRH, SXRH-E, DLH, DLH-E SCMH SCMHE, DLMH, DLMH-E.
- GT/GTB (Ball Bearing) pillow blocks from 1/2" through 2-15/16" bore size
- GTM (Ball Bearing) pillow blocks from 1" through 3-7/16" bore size



Take-Up Frames

Heavy Duty Take-Up Frame - HD



Eight sizes of HD Protected Screw Take-Up Frames-Forty-One (41) take-up frames with travels from 12 to 60 inches for:

- Angle Babbitted (Sleeve) pillow blocks from 1-15/16" through 5-15/16", bore size.
- Angle Bronze Bushed (Sleeve) pillow blocks from 1-15/16" through 5-15/16", bore size.
- Type E (Taper Roller) pillow blocks from 1-1/2" through 6" bore size.
- Type K (Taper Roller) pillow blocks from 1-1/2" through 3-15/16" bore size.
- K/DI (Taper Roller) pillow blocks from 1-1/2" through 5" bore size.
- Type C (Taper Roller) pillow blocks from 1-11/16" through 5" bore size.
- Special Duty (Taper Roller) pillow blocks from 2-11/16" through 6" bore size.
- SOLIDLUBE (Sleeve) MM700 and MM1000 Series pillow blocks from 3-7/16" through 5" bore size.
- SAF-XT, TAF, ISAF, etc. (Spherical and Tapered Roller) pillow blocks from 1-15/16" through 5-1/2" bore size and larger.
- USAF, SAFS spherical pillow blocks, 2-bolt and 4-bolt from 2-7/16" through 5-1/2" bore size.
- S2000 spherical pillow blocks, 2-bolt and 4-bolt from 1-7/8" through 5" bore size.
- UNISPHERE (Spherical Roller) pillow block 2-bolt base from 1-15/16" through 4" bore sizes.
- Imperial (Spherical roller) pillow block 2-bolt and 4-bolt from 1-15/16" through 4-15/16" bore size.
- For larger bore bearings use HD600 or HD650, consult DODGE.



HOW TO ORDER

Take-Up Frames

There are two ways to specify DODGE Take-Up Frames. Most of the product offerings have part numbers with listings shown throughout this catalog. Use of part numbers ensures accurate order processing.

When part numbers are not shown, the product may be specified by description or part name. This method is used when ordering units that include modifications or options. To order by description, use the nomenclature key shown on page B19-7 and add any special instructions to the end of the description for options not covered by the nomenclature.

NOTE: All Take-Up Frames, except Bronzoil Take-Ups, are without the Take-Up Bearings. Thus, for a complete Take-Up; order a Take-Up Frame and Take-Up Bearing.

The HD Protected Screw Take-Up Frames

HD 200 through HD 350 Take-Up frames will accommodate pillow blocks on saddles which are slotted for two-bolt Pillow Blocks and may be ordered by part numbers. When using four-bolt Pillow Blocks; or on HD frames 400 and larger, please supply:

1. Bore size of pillow block
2. Type of block (Type E, Double Interlock, SAF-XT, etc.)
3. Whether pillow block is two-or four-bolt style
4. Frame Travel

Modifications:

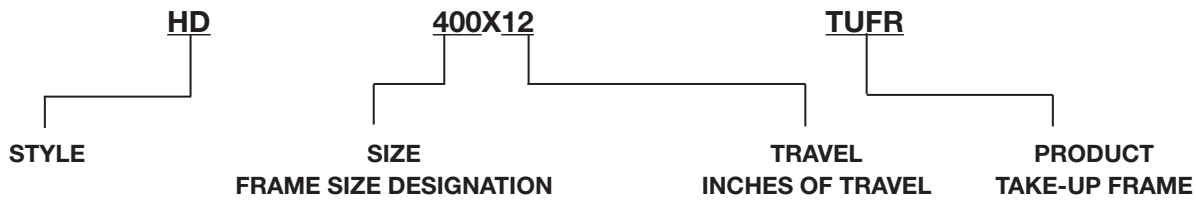
For OEM special Take-Up Frames consult DODGE.

Certain modifications are available such as Stainless Steel Screw and non-standard travel lengths.



NOMENCLATURE

Take-Up Frames



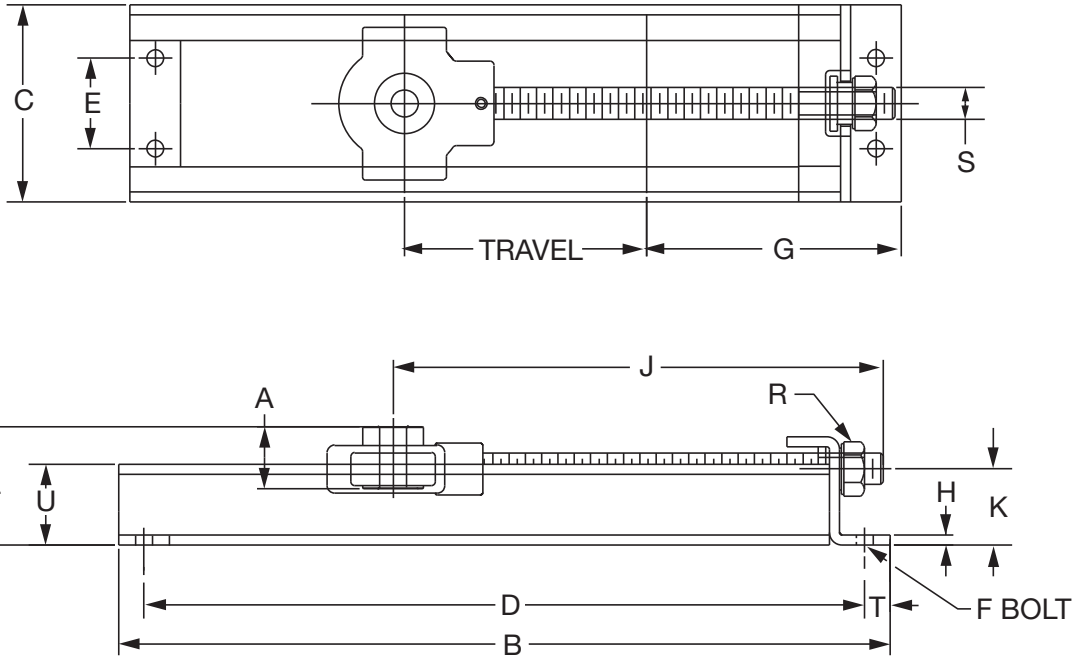
CP	Center Pull Wide Slot Take-Up Frame
WS	Wide Slot Ball Bearing Take-Up Frame
WSEZ	Ultra Kleen Wide Slot Ball Bearing Take-Up Frame
NS	Narrow Slot Ball Bearing Take-Up Frame
LD	Light Duty Protected Screw Take-Up Frame
TU	Take-Up
HD	Heavy Duty Protected Screw Take-Up Frame
TP	Top Angle Take-Up Frame
TPHU	Top Angle Heavy Duty Universal Take-Up Frame
TS	Telescoping Take-Up Frame
TUA	Type A Babbitted Take-Up Bearing
TUB	Type B Babbitted Take-Up Bearing
BOTU	BRONZOIL Take-Up
FR	Frame
SSS	Stainless Steel Screw

TU = Take-Up When Used As An Abbreviation Through This Section



SELECTION/DIMENSIONS

Take-Up Frames -NS NARROW SLOT BALL BEARING TAKE-UP FRAMES



Frame Description	Part No.	Wt. (Lbs.)	A	B	C	D	E	F Base Bolt		G
								No.	Dia.	
NS-210x6-TUFR	038109	5.5	See page B19-10 for list of reference pages for Take-Up Bearings	13-5/8	3-13/16	12-1/8	1-5/8	4	1/2	4-7/8
NS-308x6-TUFR	038110	5.8		13-5/8	4-11/16	12-1/8	2-1/4	4	1/2	5-3/8
NS-308x12-TUFR	038111	8.0		19-5/8	18-1/8	2-1/4	4	1/2	6	
NS-400x6-TUFR	038112	9.2		14-9/16	13-1/16	2-1/2	4	1/2	6	
NS-400x9-TUFR	038113	11.3		18-5/8	17-1/8	2-1/2	4	1/2	6	
NS-400x12-TUFR	038114	12.5		20-9/16	19-1/16	2-1/2	4	1/2	6	
NS-400x18-TUFR	038115	16.3		27-5/8	26-1/8	2-3/4	4	5/8	7-1/8	
NS-407x9-TUFR	038116	13.1		19-1/8	17-3/8	2-3/4	4	5/8	7-1/8	
NS-407x18-TUFR	038117	18.6		28-1/8	26-3/8	3	4	5/8	7-3/8	
NS-415x9-TUFR	038118	15.5		19-1/8	17-3/8	3	4	5/8	7-3/8	
NS-415x18-TUFR	038119	19.0	28-1/8	26-3/8	3	4	5/8	7-3/8		

Frame Description	H	J	K	L	R Hex	S	T	U	Channel
NS-210x6-TUFR	1/4	11-1/32	1-13/32	See Table on Page B19-9 for "L" Dim.	1-5/16	3/4-10	3/4	1-1/2	1-1/2 x 9/16 x 3/16
NS-308x6-TUFR	1/4	10-13/16	1-13/32		1-5/16	3/4-10	3/4	1-1/2	1-1/2 x 9/16 x 3/16
NS-308x12-TUFR		16-13/16	1-13/32		1-5/16	3/4-10	3/4	1-1/2	1-1/2 x 9/16 x 3/16
NS-400x6-TUFR	1/4	11-1/16	1-7/8		1-1/2	7/8-9	3/4	2	2 x 1 x 3/16
NS-400x9-TUFR		14-1/16			1-1/2	7/8-9	3/4	2	2 x 1 x 3/16
NS-400x12-TUFR		17-1/16			1-1/2	7/8-9	3/4	2	2 x 1 x 3/16
NS-400x18-TUFR		23-1/16			1-1/2	7/8-9	3/4	2	2 x 1 x 3/16
NS-407x9-TUFR	5/16	15-19/32	1-7/8		1-5/8	1-8	1	2	2 x 1 x 3/16
NS-407x18-TUFR	5/16	24-19/32	1-7/8		1-5/8	1-8	1	2	2 x 1 x 3/16
NS-415x9-TUFR	5/16	15-27/32	1-7/8		1-5/8	1-8	1	2	2 x 1 x 3/16
NS-415x18-TUFR		24-27/32		1-5/8	1-8	1	2	2 x 1 x 3/16	

FEATURES/BENEFITS PAGE B19-2	HOW TO ORDER/NOMENCLATURE PAGE B19-7	SELECTION/DIMENSIONS PAGE B19-8
---------------------------------	---	------------------------------------



SELECTION/DIMENSIONS

Take-Up Frames - Narrow Slot Frame

L DIMENSION

Series	Shaft Size	Take Up Frame No. Ref.	L					
			SC	VSC	SXR	SXV	DL	GT
204	1/2	NS-210	2.11	2.11	2.43	2.30	2.16	2.40
	5/8							
	3/4							
205	7/8	NS-210	2.16	2.16	2.44	2.30	2.26	2.36
	15/16							
	1							
206	1-1/16	NS-308	2.32	2.32	2.57	2.43	2.36	2.97
	1-1/8							
	1-3/16							
	1-1/4							
207	1-1/4	NS-308	2.42	2.42	2.66	2.54	2.46	2.46
	1-5/16							
	1-3/8							
	1-7/16							
208	1-1/2	NS-400	3.03	3.03	3.21	3.12	3.10	3.07
	1-5/8							
209	1-5/8	NS-400	3.03	3.03	3.22	3.10	3.10	3.07
	1-11/16							
	1-3/4							
210	1-15/16	NS-400	3.03	3.03	3.34	3.10	3.10	3.07
	2							
211	2	NS-407	3.19	3.19	3.55	3.13	3.21	3.10
	2-3/16							
	2-1/4							
212	2-1/4	NS-415	3.26	N/A	3.68	N/A	3.32	3.23
	2-7/16							

Series	Shaft Size	Take Up Frame No. Ref.	L		
			SCM	DLM	GTM
206	1	NS-308	2.32	2.36	2.47
207	1-3/16	NS-308	2.42	2.46	2.46
	1-1/4				
208	1-7/16	NS-400	3.03	3.10	3.07
209	1-1/2	NS-400	3.03	3.10	3.07
	1-5/8				
210	1-11/16	NS-400	3.03	3.10	3.07
	1-3/4				
211	1-15/16	NS-407	3.19	3.21	3.10
	2				
212	2-3/16	NS-415	3.26	3.32	3.23
	2-1/4				



SELECTION/DIMENSIONS

Narrow Slot (NS) Take-Up Frame Bearings

NORMAL DUTY
SETSCREW - SC, VSC
D-LOK - DL
ECCENTRIC LOCK - SXR, SXV
GRIP TIGHT - GT

MEDIUM DUTY
SETSCREW - SCM
D-LOK - DLM
GRIP TIGHT - GTM

Series	Shaft Size	Frame Size
204	1/2	NS-210
	5/8	
	3/4	
	20mm	
205	7/8	NS-210
	15/16	
	1 25mm	
206	1-1/16	NS-308
	1-1/8	
	1-3/16	
	1-1/4 30mm	
207	1-1/4	NS-308
	1-5/16	
	1-3/8	
	1-7/16 35mm	
208	1-1/2	NS-400
	1-5/8 40mm	
209	1-5/8	NS-400
	1-11/16	
	1-3/4 45mm	
210	1-15/16	NS-400
	2 50mm	
211	2	NS-407
	2-3/16	
	2-1/4 55mm	
212	2-1/4	NS-415
	2-7/16 60mm	

- Narrow Slot Take-Up Frames Are Not Supplied With Bearings. First Match The Take-Up Frame With The Bearing Size From This Page. Then Turn To The Page Listed For The Specific Bearing Part Number.
- Ultra Kleen (SC) - B1-32 to B1-33
- E-Z Kleen (SC) - B2-38
- Extreme Duty (SC) - B3-25 to B3-29
- Setscrew (SC, SCM & VSC) - B4-70 to B4-73
- Grip Tight (GT and GTM) - B5-50 to B5-53
- D-LOK (DL and DLM) - B6-42 to B6-45
- Eccentric Lock (SXR and SXV) - B7-32 to B7-33
- See B19-8 For Narrow Slot Take-Up Frame Travel Options And Part Numbers

Series	Shaft Size	Frame Size
206	1	NS-308
	25mm	
207	1-3/16	NS-308
	1-1/4 30mm	
208	1-7/16	NS-400
	35mm	
209	1-1/2	NS-400
	40mm	
210	1-11/16	NS-400
	1-3/4	
	45mm	
211	1-15/16	NS-407
	2 50mm	
212	2-3/16	NS-415
	2-1/4 55mm	

Plummer Blocks

Sleeve Bearings

SLEEVOIL

Take-Up Frames

Engineering

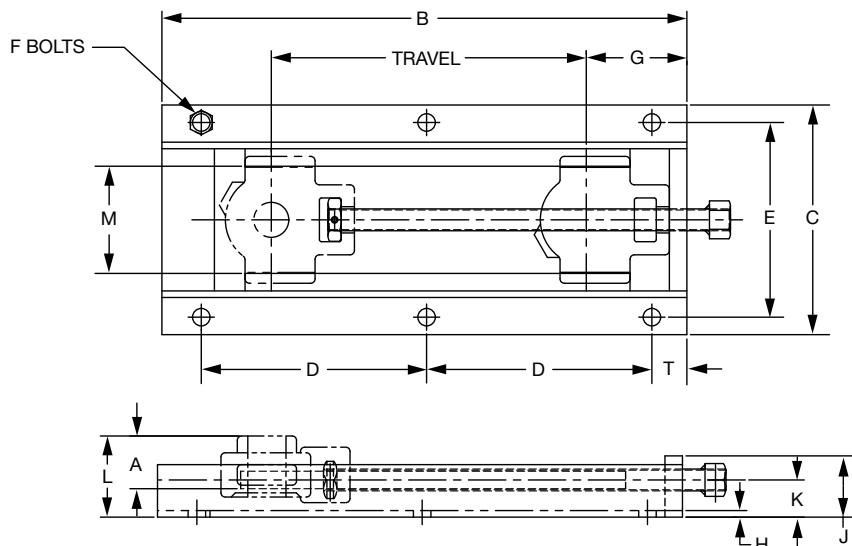
Part Number Index

Keyword Index



SELECTION/DIMENSIONS

Take-Up Frames - WS WIDE SLOT BALL BEARING TAKE-UP FRAMES



Frame Description	Part No.	Wt.	A	B	C	D	E	F		G	H	J	K	M	S Screw Dia.	T
								No.	Dia.							
WS-300X1-1/2-TUFR	038200	4.8	See chart on page B19-14 for list of reference pages for Take-Up Bearings	7-1/2	6-9/16	5-3/8	5-9/16	4	7/16	2-15/16	3/16	1-3/4	1-1/16	3-1/16	5/8	1
WS-300X3-TUFR	038201	5.5		9		6-7/8		4								
WS-300X6-TUFR	038202	7		12		4-15/16		6								
WS-300X9-TUFR	038203	8.5		15		6-7/16		6								
WS-300X12-TUFR	038204	10		18		7-15/16		6								
WS-308X3-TUFR	038205	7.5	See Table on Page B19-13 for "L" Dim.	9-1/8	7-1/16	6-7/16	6-1/16	4	7/16	3-11/16	3/16	2	1-1/4	3-9/16	3/4	1
WS-308X6-TUFR	038206	9		12-1/8		9-7/16		4								
WS-308X9-TUFR	038207	10.5		15-1/8		6-7/32		6								
WS-308X12-TUFR	038208	12		18-1/8		7-23/32		6								
WS-308X18-TUFR	038209	15		24-1/8		10-23/32		6								
WS-400X3-TUFR	038210	11.5	See Table on Page B19-13 for "L" Dim.	10-3/4	8-13/16	8-1/2	7-5/16	4	1/2	4-5/16	3/16	2-1/4	1-7/16	4-1/16	1	1-1/8
WS-400X6-TUFR	038211	14		13-3/4		11-1/2		4								
WS-400X9-TUFR	038212	16.5		16-3/4		7-1/4		6								
WS-400X12-TUFR	038213	19		19-3/4		8-3/4		6								
WS-400X18-TUFR	038214	24		25-3/4		11-3/4		6								
WS-502X6-TUFR	038215	20	See Table on Page B19-13 for "L" Dim.	14-3/4	10-7/16	12-1/2	8-5/8	4	9/16	5-11/16	3/16	2-1/2	1-1/2	5-3/16	1-1/4	1-1/8
WS-502X9-TUFR	038216	23.5		17-3/4		15-1/2		4								
WS-502X12-TUFR	038217	27		20-3/4		9-1/4		6								
WS-502X15-TUFR	038218	30.5		23-3/4		10-3/4		6								
WS-502X18-TUFR	038219	34		26-3/4		12-1/4		6								
WS-502X24-TUFR	038220	41	32-3/4	15-1/4	6											
WS-515X9-TUFR	038221	36	See Table on Page B19-13 for "L" Dim.	20-7/8	12	17-1/2	10-1/4	4	5/8	6-1/2	1/4	3	2	6	1-1/2	2-1/2
WS-515X12-TUFR	038222	41		23-7/8		10-1/4		6								
WS-515X18-TUFR	038223	51		29-7/8		13-1/4		6								
WS-515X24-TUFR	038224	61		35-7/8		16-1/4		6								
WS-515X30-TUFR	038225	71		41-7/8		19-1/4		6								
WS-608X12-TUFR	038226	41	See Table on Page B19-13 for "L" Dim.	23-7/8	12-9/16	10-1/4	10-13/16	6	5/8	6-1/2	1/4	3	2	6-9/16	1-1/2	2-1/2
WS-608X18-TUFR	038227	51		29-7/8		13-1/4		6								
WS-608X24-TUFR	038228	61		35-7/8		16-1/4		6								
WS-608X30-TUFR	038229	71		41-7/8		19-1/4		6								

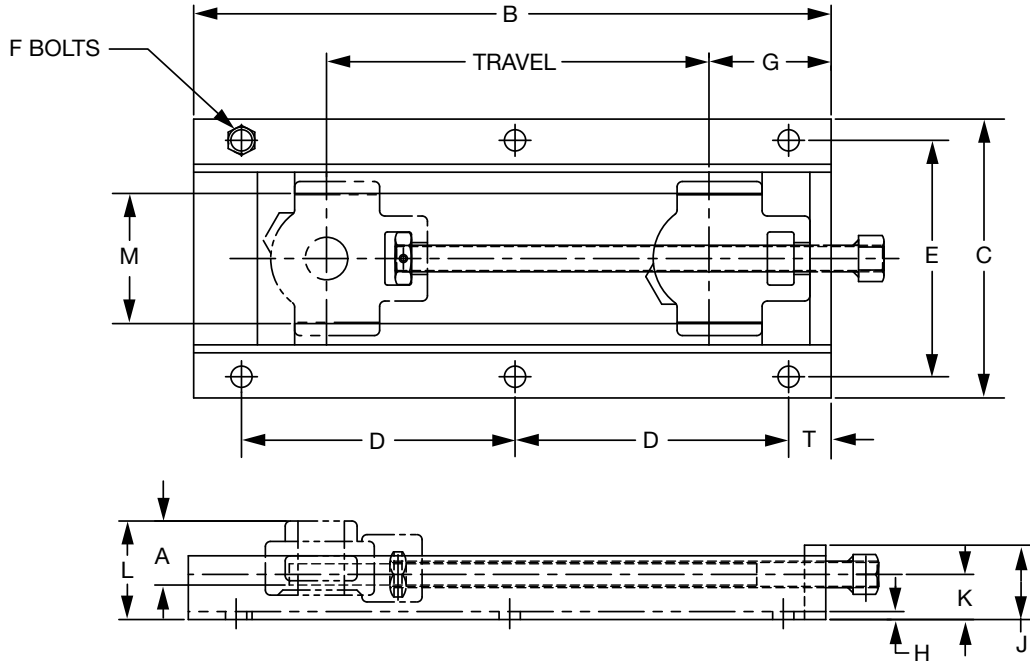
FEATURES/BENEFITS PAGE B19-2	HOW TO ORDER/NOMENCLATURE PAGE B19-7	SELECTION/DIMENSIONS PAGE B19-8
---------------------------------	---	------------------------------------



SELECTION/DIMENSIONS

Take-Up Frames - WS

ULTRA KLEEN (Stainless Steel) WIDE SLOT BALL BEARING TAKE-UP FRAME



Frame Description	Part No.	Wt.	A	B	C	D	E	F		G	H	J	K	M	S Screw Dia.	T
								No.	Dia.							
WSEZ-300X3-TUFR-SSS	038070	6	See page B2-66 to B2-71 for E-Z KLEEN Wide Slot Take-Up Bearings	9	6-9/16	6-7/8	5-9/16	4	1/2	2-15/16	3/16	1-3/4	1-1/16	3-1/16	5/8	1
WSEZ-300X6-TUFR-SSS	038071	7.9		12		4-15/16		6								
WSEZ-300X9-TUFR-SSS	038072	9.8		15		6-7/16		6								
WSEZ-300X12-TUFR-SSS	038073	11.7		18		7-15/16		6								
WSEZ-308X3-TUFR-SSS	038074	7.3	9-1/8	7-1/16	6-7/16	6-1/16	4	1/2	3-11/16	3/16	2	1-1/4	3-9/16	3/4	1	
WSEZ-308X6-TUFR-SSS	038075	9.4	12-1/8		9-7/16		4									
WSEZ-308X9-TUFR-SSS	038076	11.4	15-1/8		6-7/32		6									
WSEZ-308X12-TUFR-SSS	038077	13.4	18-1/8		7-23/32		6									
WSEZ-308X18-TUFR-SSS	038078	17.4	24-1/8	10-23/32	6											
WSEZ-400X3-TUFR	038060	11.5	See Table on Page B19-13 for "L" Dim.	10-3/4	8-13/16	8-1/2	7-5/16	4	1/2	4-5/16	3/16	2-1/4	1-7/16	4-1/16	1	1-1/8
WSEZ-400X6-TUFR	038061	14		13-3/4		11-1/2		4								
WSEZ-400X9-TUFR	038062	16.5		16-3/4		7-1/4		6								
WSEZ-400X12-TUFR	038063	19		19-3/4		8-3/4		6								
WSEZ-400X18-TUFR	038064	24		25-3/4		11-3/4		6								

See table on page B19-13 for "L" dimension.

FEATURES/BENEFITS PAGE B19-2	HOW TO ORDER/NOMENCLATURE PAGE B19-7	SELECTION/DIMENSIONS PAGE B19-8
---------------------------------	---	------------------------------------



SELECTION/DIMENSIONS

Take-Up Frames - Wide Slot Frame

L DIMENSION

Series	Shaft Size	Take Up Frame No. Ref.	L				
			VSC SC	SXR	SXV	DL	GT
204	1/2	WS-300	1.79	2.11	1.98	1.84	2.08
	5/8						
	3/4						
205	7/8	WS-300	1.84	2.12	1.98	1.94	2.04
	15/16						
206	1	WS-308	2.19	2.44	2.30	2.23	2.34
	1-1/16						
	1-1/8						
	1-3/16						
207	1-1/4	WS-308	2.29	2.53	2.41	2.33	2.33
	1-5/16						
	1-3/8						
	1-7/16						
208	1-1/2	WS-400	2.63	2.81	2.72	2.70	2.67
	1-5/8						
209	1-5/8	WS-400	2.63	2.786	2.70	2.70	3.67
	1-11/16						
	1-3/4						
210	1-15/16	WS-400	2.63	2.94	2.70	2.70	2.67
	2						
211	2	WS-502	2.85	3.21	2.79	2.87	2.76
	2-3/16						
	2-1/4						
212	2-1/4	WS-502	2.91	3.34	N/A	2.98	2.89
	2-7/16						
214	2-1/2	WS-515	3.48	N/A	N/A	3.54	3.55
	2-11/16						
215	2-15/16	WS-515	3.47	4.16	N/A	3.58	3.60

Series	Shaft Size	Take Up Frame No. Ref.	L		
			SCM	DLM	GTM
206	1	WS-308	2.19	2.23	2.34
207	1-3/16	WS-308	2.29	2.33	2.33
	1-1/4				
208	1-7/16	WS-400	2.63	2.70	2.67
209	1-1/2	WS-400	2.63	2.70	2.67
210	1-11/16	WS-400	2.63	2.70	2.67
	1-3/4				
211	1-15/16	WS-502	2.85	2.87	2.76
	2				
212	2-3/16	WS-502	2.91	2.98	2.89
	2-1/4				
214	2-7/16	WS-515	3.48	3.54	3.55
	2-1/2				
215	2-11/16	WS-515	3.47	3.58	3.60
216	2-15/16	WS-608	3.50	3.74	3.81



SELECTION/DIMENSIONS

Wide Slot (WS) Take-Up Frame Bearings

NORMAL DUTY
SETSCREW - SC, VSC
D-LOK - DL
ECCENTRIC LOCK - SXR, SXV
GRIP TIGHT - GT

Series	Shaft Size	Frame Size
204	1/2	WS-300
	5/8	
	3/4	
	20mm	
205	7/8	WS-300
	15/16	
	1	
	25mm	
206	1-1/16	WS-308
	1-1/8	
	1-3/16	
	1-1/4	
	30mm	
207	1-1/4	WS-308
	1-5/16	
	1-3/8	
	1-7/16	
208	35mm	WS-400
	1-1/2	
	1-5/8	
209	40mm	WS-400
	1-5/8	
	1-11/16	
210	1-3/4	WS-400
	45mm	
	1-15/16	
211	2	WS-502
	50mm	
212	2	WS-502
	2-3/16	
	2-1/4	
214	55mm	WS-515
	2-1/4	
	2-7/16	
215	60mm	WS-515
	2-1/2	
	2-11/16	
216	70mm	WS-515
	2-15/16	
217	75mm	WS-515
	75mm	

- Wide Slot Take-Up Frames Are Not Supplied With Bearings. First Match The Take-Up Frame With The Bearing Size From This Page. Then Turn To The Page Listed For The Specific Bearing Part Number.
- Ultra Kleen (SC) - B1-28 to B1-31
- EZ-Kleen Polymer Housing - B2-66 to B2-71 and B2-39
- Extreme Duty (SC) - B3-30 to B3-37
- Setscrew (SC, SCM & VSC) - B4-74 to B4-81
- Grip Tight (GT & GTM) - B5-54 to B5-59
- D-LOK (DL and DLM) - B6-46 to B6-49
- Eccentric Lock (SXR and SXV) - B7-34 to B7-35
- See B19-11 For Wide Slot Take-Up Frame Travel Options And Part Numbers

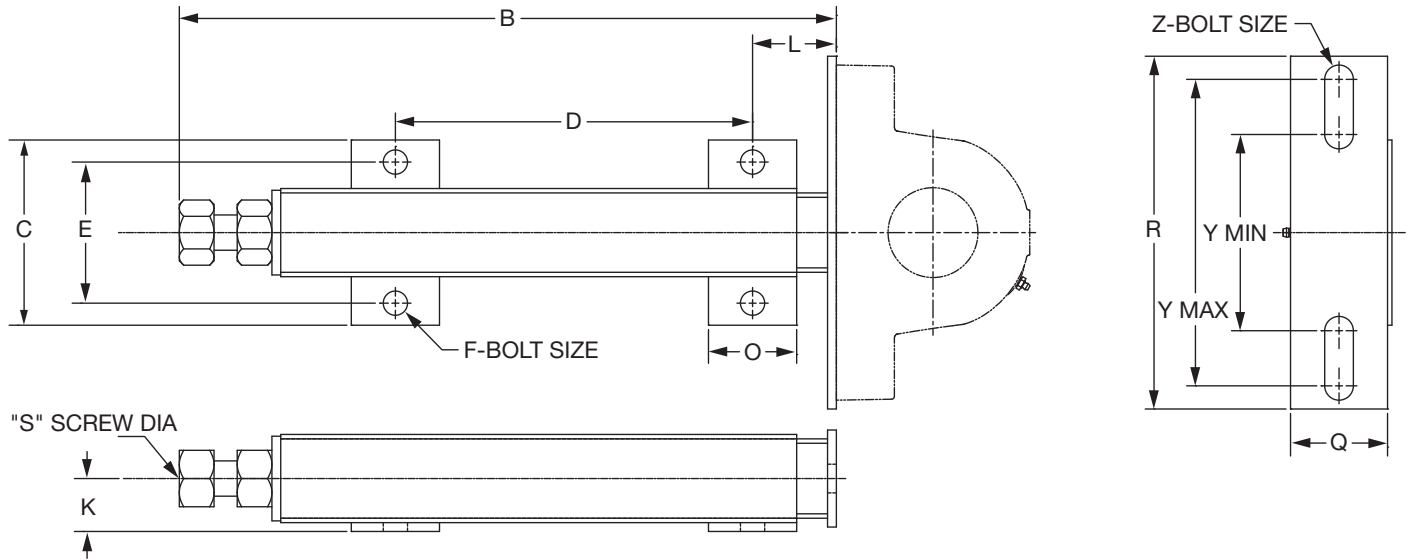
MEDIUM DUTY
SETSCREW - SCM, VSC
D-LOK - DLM
GRIP TIGHT - GTM

Series	Shaft Size	Frame Size
206	1	WS-308
	25mm	
207	1-3/16	WS-308
	1-1/4	
208	30mm	WS-400
	1-7/16	
209	35mm	WS-400
	1-1/2	
210	40mm	WS-400
	1-11/16	
	1-3/4	
211	45mm	WS-502
	1-15/16	
212	2	WS-502
	50mm	
	2-3/16	
214	2-1/4	WS-515
	55mm	
215	2-7/16	WS-515
	2-1/2	
216	70mm	WS-515
	2-11/16	
217	75mm	WS-608
	2-15/16	
	3	
218	75mm	WS-608
	75mm	



SELECTION/DIMENSIONS

Telescoping (TS) Take-Up Frame



Frame Size	Travel	Part No.	Wt. (lbs.)	B	C	D		E	F Bolt Dia.	K	L	O	Q	R	S Scr. Dia.	Y		Z Bolt Dia.
						Min.	Max.									Min.	Max.	
TS-100	3	089782	3	7.94	3.69	3.56	-	2.63	1/2	0.88	1.50	1.50	1.50	6.38	5/8	2.94	5.44	1/2
TS-100	6	089783	4	11.44	3.69	7.06	-	2.63	1/2	0.88	1.50	1.50	1.50	6.38	5/8	2.94	5.44	1/2
TS-100	9	089784	5	15.44	3.69	11.06	-	2.63	1/2	0.88	1.50	1.50	1.50	6.38	5/8	2.94	5.44	1/2
TS-250	3	089785	5	9.75	4.00	4.38	-	3.00	1/2	1.13	1.88	2.00	2.00	7.00	3/4	3.81	5.69	5/8
TS-250	6	089786	7	12.75	4.00	7.38	-	3.00	1/2	1.13	1.88	2.00	2.00	7.00	3/4	3.81	5.69	5/8
TS-250	9	089787	8	15.75	4.00	10.38	-	3.00	1/2	1.13	1.88	2.00	2.00	7.00	3/4	3.81	5.69	5/8
TS-250	12	089788	9	18.75	4.00	13.38	-	3.00	1/2	1.13	1.88	2.00	2.00	7.00	3/4	3.81	5.69	5/8
TS-300	6	089789	16	15.63	5.25	6.13	-	4.00	5/8	1.50	2.38	2.50	2.75	10.00	1	5.56	8.69	3/4
TS-300	9	089790	18	18.63	5.25	10.13	-	4.00	5/8	1.50	2.38	2.50	2.75	10.00	1	5.56	8.69	3/4
TS-300	12	089791	21	21.63	5.25	14.13	-	4.00	5/8	1.50	2.38	2.50	2.75	10.00	1	5.56	8.69	3/4
TS-300	18	089792	26	27.63	5.25	21.13	-	4.00	5/8	1.50	2.38	2.50	2.75	10.00	1	5.56	8.69	3/4
TS-350	9	089793	24	19.56	5.75	12.63	13.00	4.50	5/8	1.75	2.50	2.50	3.00	12.00	1	5.56	9.75	3/4
TS-350	12	089794	28	22.56	5.75	15.63	16.00	4.50	5/8	1.75	2.50	2.50	3.00	12.00	1	5.56	9.75	3/4
TS-350	18	089795	35	28.56	5.75	21.63	22.00	4.50	5/8	1.75	2.50	2.50	3.00	12.00	1	5.56	9.75	3/4
TS-350	24	089796	43	34.56	5.75	27.63	28.00	4.50	5/8	1.75	2.50	2.50	3.00	12.00	1	5.56	9.75	3/4
TS-400	12	089797	50	29.75	7.50	20.00	-	5.50	3/4	2.13	3.50	3.50	3.50	14.00	1-1/2	8.50	11.75	7/8
TS-400	18	089798	60	35.75	7.50	26.00	-	5.50	3/4	2.13	3.50	3.50	3.50	14.00	1-1/2	8.50	11.75	7/8
TS-400	24	089799	70	41.75	7.50	32.00	-	5.50	3/4	2.13	3.50	3.50	3.50	14.00	1-1/2	8.50	11.75	7/8
TS-400	36	089800	90	53.75	7.50	44.00	-	5.50	3/4	2.13	3.50	3.50	3.50	14.00	1-1/2	8.50	11.75	7/8
TS-400	48	089801	110	65.75	7.50	56.00	-	5.50	3/4	2.13	3.50	3.50	3.50	14.00	1-1/2	8.50	11.75	7/8
TS-500	18	089802	210	43.88	11.50	31.00	-	9.00	1	3.50	3.88	3.88	7.00	20.00	2	Drilled to Order	Drilled to Order	Drilled to Order
TS-500	24	089803	240	49.88	11.50	37.00	-	9.00	1	3.50	3.88	3.88	7.00	20.00	2	Drilled to Order	Drilled to Order	Drilled to Order
TS-500	36	089804	290	61.88	11.50	49.00	-	9.00	1	3.50	3.88	3.88	7.00	20.00	2	Drilled to Order	Drilled to Order	Drilled to Order

Dimensions in inches

FEATURES/BENEFITS PAGE B19-2	HOW TO ORDER/NOMENCLATURE PAGE B19-7	SELECTION/DIMENSIONS PAGE B19-8
---------------------------------	---	------------------------------------



SELECTION/DIMENSIONS

Telescoping (TS) Take-Up Frame Bearings

NORMAL DUTY
SETSCREW - SC, VSC
D-LOK - DL
ECCENTRIC LOCK - SXR, SXV
GRIP TIGHT - GT

MEDIUM DUTY
SETSCREW - SCM, VSC
D-LOK - DLM
GRIP TIGHT - GTM

Series	Shaft Size	Frame Size
204	1/2	TS-100
	5/8	
	3/4	
	20mm	
205	7/8	TS-100
	15/16	
	1 25mm	
206	1-1/16	TS-250
	1-1/8	
	1-3/16	
	1-1/4	
	30mm	
207	1-1/4	TS-250
	1-5/16	
	1-3/8	
	1-7/16 35mm	
208	1-1/2	TS-250
	1-5/8 40mm	
209	1-5/8	TS-250
	1-11/16	
	1-3/4 45mm	
210	1-15/16	TS-300
	2 50mm	
211	2	TS-300
	2-3/16	
	2-1/4 55mm	
212	2-1/4	TS-300
	2-7/16 60mm	
214	2-1/2	TS-300
	2-11/16 70mm	
215	2-15/16	TS-350 or TS-400
	75mm	

- Telescoping Take-Up Frames Are Not Supplied With Bearings. First Match The Take-Up Frame With The Bearing Size From This Page. Then Turn To The Page Listed For The Specific Bearing Part Number.
- EZ-KLEEN Polymer Housing - B2-66 to B2-71
- Grip Tight (GT & GTM) - B5-54 to B5-59
- Setscrew (SC, SCM & VSC) - B8-20 to B8-23
- Eccentric Lock (SXR and SXV) - B7-34 to B7-35
- D-LOK (DL and DLM) - B6-46 to B6-49
- See B19-15 For Telescoping (TS) Take-Up Frame Travel Options And Part Numbers

Series	Shaft Size	Frame Size
206	1	TS-250
	25mm	
207	1-3/16	TS-250
	1-1/4 30mm	
208	1-7/16	TS-250
	35mm	
209	1-1/2	TS-250
	40mm	
210	1-11/16	TS-300
	1-3/4	
	45mm	
211	1-15/16	TS-300
	2 50mm	
212	2-3/16	TS-300
	2-1/4 55mm	
214	2-7/16	TS-300
	2-1/2	
215	2-11/16	TS-350
	70mm	
216	2-15/16	TS-350 or TS-400
	3	
	75mm	



SELECTION/DIMENSIONS

Telescoping (TS) Take-Up Frame Bearings

TAPERED ROLLER BEARINGS

Type E		Type K Double Interlock		TAF	
Shaft Size	Frame Size	Shaft Size	Frame Size	Shaft Size	Frame Size
1-3/16 to 1-1/4	TS-250	1-1/2 to 2-3/16	TS-300	2-7/16 to 2-1/2	TS-400
1-3/8 to 2-3/16	TS-300	2-1/4 to 2-1/2	TS-350	2-15/16 to 3	TS-400
1-1/2 to 2-3/16	TS-300	2-11/16 to 3	TS-400	3-7/16 to 4	TS-500
2-1/4 to 2-1/2	TS-350	3-3/16 to 3-1/2	TS-500	4-7/16 to 5	TS-500
2-11/16 to 3	TS-400	3-15/16 to 4-1/2	TS-500		
3-3/16 to 3-1/2	TS-400	4-15/16 to 5	TS-500		
3-15/16 to 5	TS-500				

- Type K - B10-40
- Type E - B10-22
- DOUBLE INTERLOCK - B10-50
- TAF - B10-58
- See B19-15 For Telescoping (TS) Take-Up Frame Travel Options and Part Numbers



SELECTION/DIMENSIONS

Telescoping (TS) Take-Up Frame Bearings

UNITIZED SPHERICAL ROLLER BEARINGS

Imperial - IP

Shaft Size	Frame Size
1-1/8 to 1-1/2	TS-250
1-5/8 to 2-1/4	TS-300
2-3/8 to 2-1/2	TS-350
2-11/16 2-3/4 2-15/16 3	TS-350
3-3/16 3-1/4 3-7/16 3-1/2	TS-400
3-11/16 3-15/16 4 4-7/16 4-1/2	TS-500
4-15/16 5	TS-500

S-2000

Shaft Size	Frame Size
1-3/8 1-7/16 1-1/2	TS-250
1-11/16 1-3/4 1-15/16 2 2-3/16	TS-300
2-7/16	TS-350
2-11/16	TS-350
2-15/16 3	TS-350
3-7/16	TS-400
3-15/16 4-7/16	TS-500
4-15/16	TS-500

UNISPHERE II

Shaft Size	Frame Size
1-7/16 1-1/2 1-11/16 1-3/4	
1-15/16 2 2-3/16 2-7/16 2-1/2	TS-300
2-11/16 2-3/4 2-15/16 3	TS-350
3-7/16 3-1/2	TS-400
3-15/16 4	TS-400 or TS-500

IMPERIAL & S2000 With Type E Dimensions

Shaft Size	Frame Size
1-3/16 to 1-1/4	TS-250
1-3/8 to 2-3/16	TS-300
2-1/4 to 2-1/2	TS-350
2-11/16 to 3	TS-400
3-3/16 to 3-1/2	TS-400
3-15/16 to 5	TS-500

- S-2000 - B12-14 to B12-25
- IMPERIAL - B14-30 to B14-37
- UNISPHERE - B13-12 to B3-13
- See B19-15 For Telescoping (TS) Take-Up Frame Travel Options and Part Numbers



SELECTION/DIMENSIONS

Telescoping (TS) Take-Up Frame Bearings

UNIFIED SPHERICAL ROLLER BEARINGS

USAF-500

SAF-XT

SAFS

ISAF

Shaft Size	Frame Size
1-15/16	TS-300 or TS-350
2-3/16	TS-400
2-7/16 to 3	TS-400
3-3/16	TS-500
3-7/16 to 3-1/2	TS-500
3-15/16 to 4-1/2	TS-500
4-15/16	TS-500

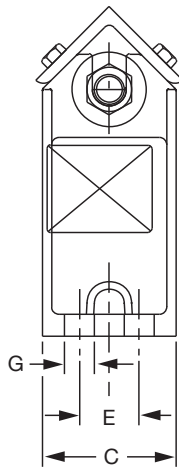
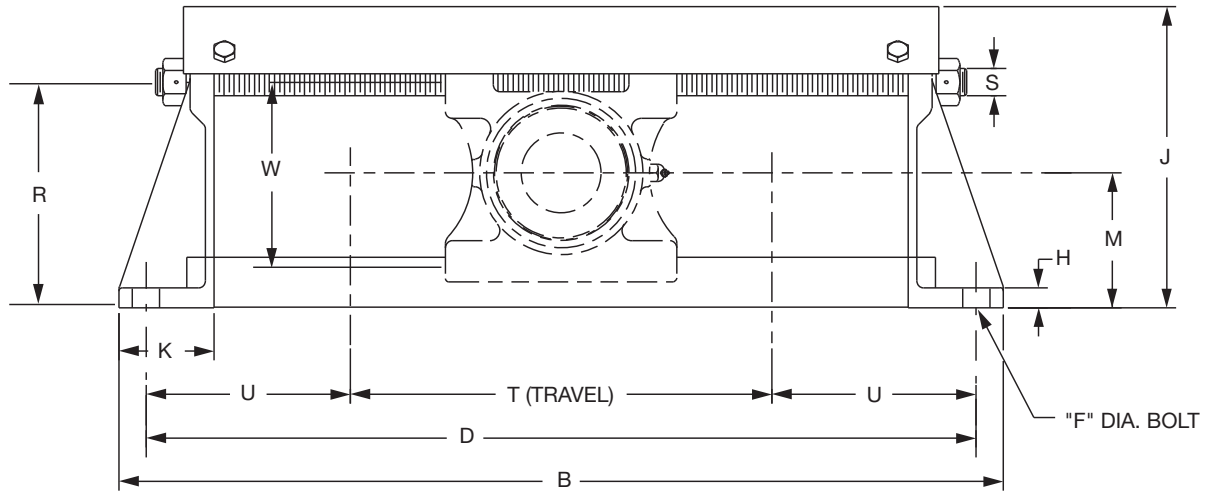
- IMPERIAL - B14-52 to B14-57
- USAF-500 - B15-78 to B15-81
- SAF-XT - B15-64 to B15-74
- SAFS - B15-61 to B15-63
- See B19-15 For Telescoping (TS) Take-Up Frame Travel Options and Part Numbers

FEATURES/BENEFITS PAGE B19-2	HOW TO ORDER/NOMENCLATURE PAGE B19-7	SELECTION/DIMENSIONS PAGE B19-8
---------------------------------	---	------------------------------------



SELECTION/DIMENSIONS

Take-Up Frames - TP
TOP ANGLE PROTECTED SCREW TAKE-UP FRAMES



Plummer Blocks

Sleeve Bearings

SLEEVOIL

Take-Up Frames

Engineering

Part Number Index

Keyword Index

<p>FEATURES/BENEFITS PAGE B19-2</p>	<p>HOW TO ORDER/NOMENCLATURE PAGE B19-7</p>	<p>SELECTION/DIMENSIONS PAGE B19-8</p>
---	---	--



SELECTION/DIMENSIONS

Take-Up Frames - TP TOP ANGLE PROTECTED SCREW TAKE-UP FRAMES

Frame Size	Nominal Travel	Part No.	Wt.	B	C	D	E	F Bolt Dia.	G	H
TP10	12	036350	32	28-1/2		26-1/2				
	18	036351	36	34-1/2	3-1/2	32-1/2	-	5/8	1	3/4
	24	036352	41	40-1/2		38-1/2				
TP20	12	036353	34	29-1/2		27-1/2				
	18	036354	39	35-1/2	3-1/2	33-1/2	-	5/8	1	3/4
	24	036355	43	41-1/2		39-1/2				
TP30	12	036356	47	30-1/2		28-1/2				
	18	036357	54	36-1/2	4	34-1/2	-	3/4	1-5/16	3/4
	24	036358	60	42-1/2		40-1/2				
TP40	12	036359	52	32-1/2		30-1/2				
	18	036360	60	38-1/2	4-1/2	36-1/2	2	5/8	1	3/4
	24	036361	66	44-1/2		42-1/2				
TP50	12	036362	63	34-1/2		32				
	18	036363	70	40-1/2	4-1/2	38	2	3/4	1	3/4
	24	036364	79	46-1/2		44				
TP60	12	036365	84	38-1/2		36				
	18	036366	92	44-1/2	5-1/2	42	2-1/2	3/4	1	3/4
	24	036367	102	50-1/2		48				

Frame Size	Nominal Travel	Part No.	J	K	M	R	S Screw Dia.	T	U	W
TP10	12	036350		3				14-1/2		
	18	036351	8-1/2	3	3-15/16	6-11/32	3/4	20-1/2	6	5-5/32
	24	036352		3				26-1/2		
TP20	12	036353		3				15		
	18	036354	9-1/8	3	4-3/16	6-31/32	3/4	21	6-1/4	5-25/32
	24	036355		3				27		
TP30	12	036356		3-1/2				14-1/2		
	18	036357	10-1/8	3-1/2	4-3/8	7-3/8	1	20-1/2	7	6-3/16
	24	036358		3-1/2				26-1/2		
TP40	12	036359		3-1/2				15-1/2		
	18	036360	11-1/16	3-1/2	4-15/16	8-3/8	1	21-1/2	7-1/2	7-3/16
	24	036361		3-1/2				27-1/2		
TP50	12	036362		4				15		
	18	036363	12-1/2	4	5-7/16	9-13/32	1-1/4	21	8-1/2	8-7/32
	24	036364		4				27		
TP60	12	036365		4-1/2				16-1/2		
	18	036366	14-1/4	4-1/2	7	11-11/32	1-1/4	22-1/2	9-5/8	8-29/32
	24	036367		4-1/2				28-1/2		

FEATURES/BENEFITS PAGE B19-2	HOW TO ORDER/NOMENCLATURE PAGE B19-7	SELECTION/DIMENSIONS PAGE B19-8
---------------------------------	---	------------------------------------



SELECTION/DIMENSIONS

Top Angle (TP) Take-Up Frame Bearings

BALL BEARINGS

**NORMAL DUTY
SETSCREW - G
D-LOK - DL
ECCENTRIC LOCK - GXR
GRIP TIGHT-GT**

Series	Shaft Size	Frame Size
210	1-15/16 2	TP-10
211	2-3/16 2-1/4	TP-20
212	2-7/16	TP-30
215	2-15/16	TP-40

- Top Angle Take-Up Frames Are Not Supplied With Bearings. First Match The Take-Up Frame With The Bearing Size From This Page. Then Turn To The Page Listed For The Specific Bearing Part Number.
- Grip Tight (GT & GTM) - B5-60 to B5-61
- Setscrew (G, & GM) - B4-80 to B4-81
- Eccentric Lock (GXR) - B7-36
- D-LOK (DL and DLM) - B6-50 to B6-51
- See B19-21 For Top Angle Take-Up Frame Travel Options And Part Numbers.

**MEDIUM DUTY
SETSCREW - GM
D-LOK - DLM
GRIP TIGHT - GTM**

Series	Shaft Size	Frame Size
210	1-11/16 1-3/4	TP-10
211	1-15/16 2	TP-20
212	2-3/16 2-1/4	TP-30
214	2-7/16 2-1/2	TP-40
215	2-11/16	TP-40
216	2-15/16 3	TP-50
218	3-7/16 3-1/2	TP-60

TAPERED ROLLER BEARINGS

TYPE E

Shaft Size	Frame Size
1-3/4	TP-10
1-7/8	
1-15/16 2	
2-3/16	TP-20
2-1/4	TP-30
2-7/16	
2-1/2	
2-11/16	TP-40
2-3/4	
2-15/16 3	
3-3/16	
3-1/4	TP-50
3-7/16	
3-1/2	
3-15/16 4	TP-60

- Top Angle Take-Up Frames Are Not Supplied With Bearings. First Match The Take-Up Frame With The Bearing Size From This Page. Then Turn To The Page Listed For The Specific Bearing Part Number.
- Type E - B10-73
- Type K - B10-48
- See B19-21 For Top Angle Take-Up Frame Travel Options And Part Numbers.

TYPE K

Shaft Size	Frame Size
1-3/4	TP-10
1-15/16	
2	
2-3/16	TP-20
2-1/4	TP-30
2-7/16	
2-1/2	
2-11/16	TP-40
2-3/4	
2-15/16 3	
3-3/16	
3-7/16	TP-50
3-1/2	
3-15/16	
3-15/16	TP-60



SELECTION/DIMENSIONS

Top Angle (TP) Take-Up Frame Bearings

SPHERICAL ROLLER BEARINGS

S-2000

Shaft Size	Frame Size
1-15/16 2	TP-10
2-3/16	TP-30
2-7/16	TP-40
2-11/16 2-15/16 3	TP-40
3-7/16	TP-50
3-15/16	TP-60

- Top Angle Take-Up Frames Are Not Supplied With Bearings. First Match The Take-Up Frame With The Bearing Size From This Page. Then Turn To The Page Listed For The Specific Bearing Part Number.
- S-2000- B12-10
- See B19-21 For Top Angle Take-Up Frame Travel Options And Part Numbers.

SLEEVE BEARINGS

SOLID LUBE BEARING

LT-700

LT-1000

Shaft Size	Frame Size
1-15/16 2	TP-10
2-3/16	TP-20
2-7/16 2-1/2	TP-30
2-15/16 3	TP-40

- Top Angle Take-Up Frames Are Not Supplied With Bearings. First Match The Take-Up Frame With The Bearing Size From This Page. Then Turn To The Page Listed For The Specific Bearing Part Number.
- SOLIDLUBE Sleeve Bearing (LT7 & LT10) - B17-10
- Type H Babbitted Bearing - B7-48
- See B19-21 For Top Angle Take-Up Frame Travel Options And Part Numbers.

BABBITTED BEARING

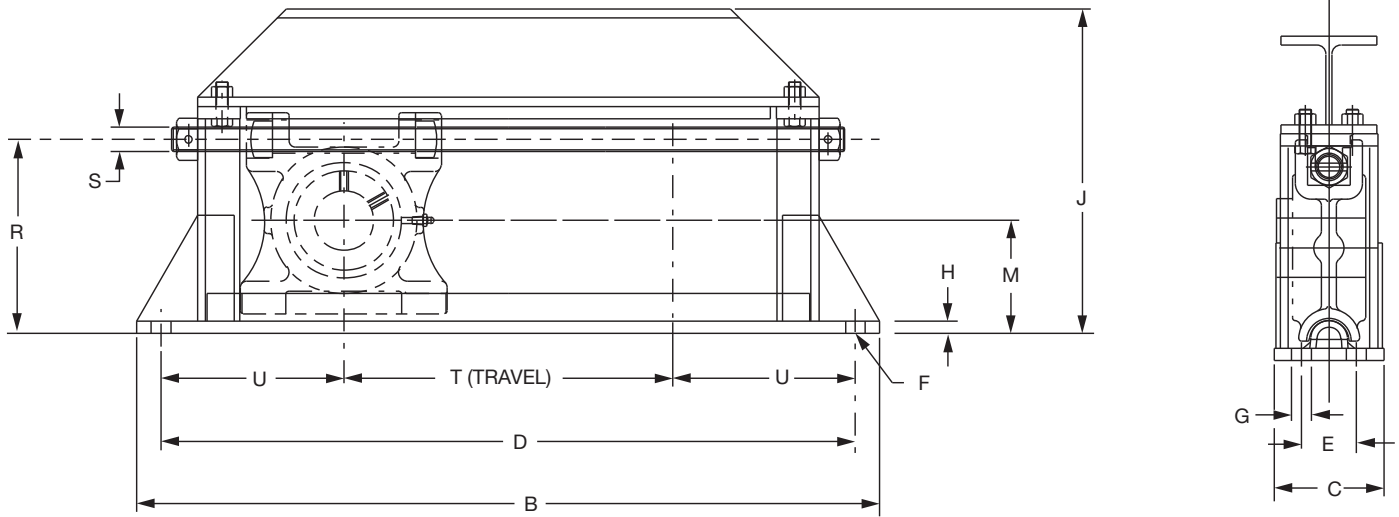
TYPE H

Shaft Size	Frame Size
1-15/16	TP-10
2-3/16	TP-10
2-7/16	TP-30
2-15/16	TP-30
3-7/16	TP-50
3-15/16	TP-50



SELECTION/DIMENSIONS

Take-Up Frames - TPHU



Shaft Size	Frame Size	Nom. Travel	Part No.	Wt.	B	C	D	E	F Bolt Dia	G
1-7/8	TPHU110	12	013497	58	29-1/2	3-1/2	27-1/2	-	5/8	11/16
1-15/16		18	013498	70	35-1/2		33-1/2			
2		24	013499	82	41-1/2		39-1/2			
2-3/16	TPHU120	12	013900	71	29-1/2	4-1/2	27-1/2	-	5/8	11/16
2-1/4		18	013901	85	35-1/2		33-1/2			
		24	013902	99	41-1/2		39-1/2			
2-3/8	TPHU130	12	013903	73	30-1/2	4-1/2	28-1/2	-	3/4	13/16
2-7/16		18	013904	86	36-1/2		34-1/2			
2-1/2		24	013905	99	42-1/2		40-1/2			
2-11/16	TPHU140	12	013906	80	32-1/2	4-1/2	30-1/2	2	5/8	11/16
2-3/4		18	013907	93	38-1/2		36-1/2			
2-15/16		24	013908	106	44-1/2		42-1/2			
3		30	013909	119	50-1/2		48-1/2			
		36	013910	132	56-1/2		54-1/2			
3-3/16	TPHU150	12	013511	91	34-1/4	4-1/2	32	2	3/4	13/16
3-1/4		18	013512	105	40-1/4		38			
3-7/16		24	013513	119	46-1/4		44			
3-1/2		30	013514	133	52-1/4		50			
		36	013515	147	58-1/4		56			
3-11/16	TPHU160	12	013916	132	38-1/2	5-1/2	36	2-1/2	3/4	13/16
3-15/16		18	013917	150	44-1/2		42			
		24	013918	168	50-1/2		48			
		30	013519	186	56-1/2		54			
4	36	013520	204	62-1/2	60					



SELECTION/DIMENSIONS

Take-Up Frames - TPHU

Shaft Size	Frame Size	Nom. Travel	Part No.	H	J	M	R	S Screw Dia.	T Max. Travel	U
1-7/8 1-15/16 2	TPHU110	12	013497	1/2	10-5/8	3-15/16	6-5/16	3/4	13-1/2	7-3/4
		18	013498						19-1/2	
		24	013499						25-1/2	
2-3/16 2-1/4	TPHU120	12	013900	1/2	11-1/4	4-7/16	7-7/16	1	13-1/2	7
		18	013901						19-1/2	
		24	013902						25-1/2	
2-3/8 2-7/16 2-1/2	TPHU130	12	013903	1/2	11-3/4	4-5/8	7-61/64	1	13-1/2	7-1/2
		18	013904						19-1/2	
		24	013905						25-1/2	
2-11/16 2-3/4 2-15/16 3	TPHU140	12	013906	3/4	12-5/16	5-1/8	8-1/2	1	15-1/2	7-1/2
		18	013907						21-1/2	
		24	013908						27-1/2	
		30	013909						33-1/2	
	36	013910	39-1/2							
3-3/16 3-1/4 3-7/16 3-1/2	TPHU150	12	013511	3/4	13-27/32	5-5/8	9-23/32	1-1/4	15-1/2	8-1/4
		18	013512						21-1/2	
		24	013513						27-1/2	
		30	013514						33-1/2	
	36	013515	39-1/2							
3-11/16 3-15/16 4	TPHU160	12	013916	1	17	7	11-5/8	1-1/4	16-1/2	9-3/4
		18	013917						22-1/2	
		24	013918						28-1/2	
		30	013519						34-1/2	
	36	013520	40-1/2							

SPHERICAL ROLLER BEARINGS

S-2000

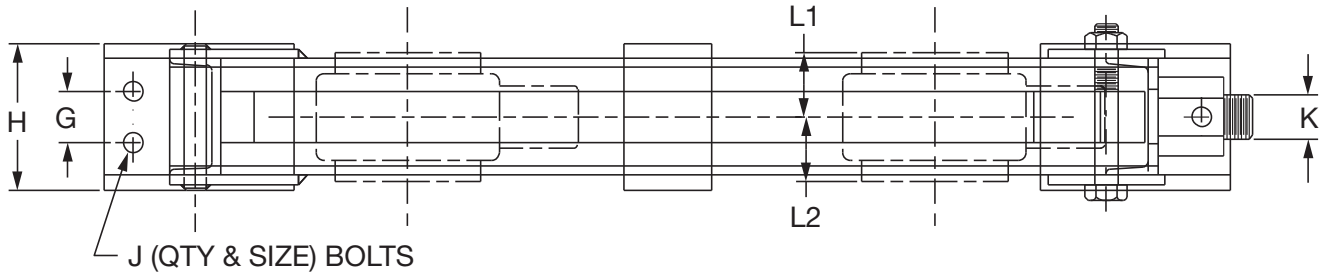
Shaft Size	Frame Size
1-15/16 2	TPHU-110
2-3/16 2-7/16	TPHU-120 TPHU-130
2-11/16 2-15/16 3	TPHU-140
3-7/16 3-15/16	TPHU-150 TPHU-160

- TPHU Take-Up Frames Are Not Supplied With Bearings. First Match The Take-Up Frame With The Bearing Size From This Page. Then Turn To The Page Listed For The Specific Bearing Part Number.
- S-2000- B12-9
- See B19-24 and B19-25 For TPHU Take-Up Frame Travel Options And Part Numbers.

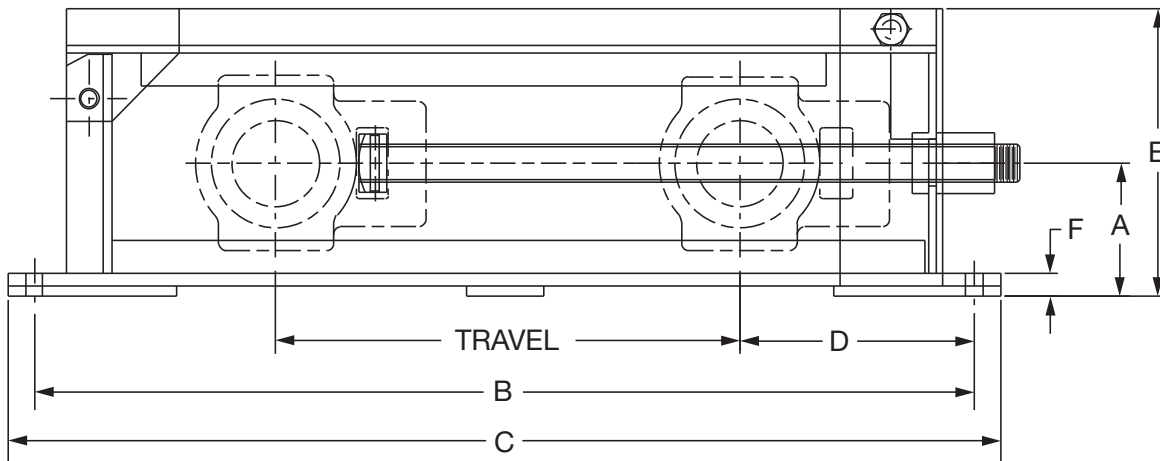


SELECTION/DIMENSIONS

Take-Up Frames - CP CENTER PULL (CP)



U.S. Patent No. 4,676,670



Plummer Blocks

Sleeve Bearings

SLEEVOIL

Take-Up Frames

Engineering

Part Number Index

Keyword Index



SELECTION/DIMENSIONS

Take-Up Frames - CP CENTER PULL (CP)

Frame Size	Travel	Frame Part Number	Frame Weight	Travel		A	B	C	D		E	F	G	H	J		K	L1 & L2
				Maximum					S2000 Imperial	Type K & E					Qty.	Size Dia.		
				S2 & IP	Type E & K													
CP308	12	019200	30	15-15/32	15-15/32	3-7/16	26	28	6	6	7	11/16	..	3	2	1/2	3/4-10NC	
CP308	18	019201	34	21-15/32	21-15/32		32	64									3/4-10NC	
CP308	24	019202	38	27-15/32	27-15/32		38	40									3/4-10NC	
CP308	30	019203	42	33-15/32	33-15/32		44	46									3/4-10NC	
CP308	36	019204	46	39-15/32	39-15/32		50	52									3/4-10NC	
CP400	12	019210	55	14-27/32	14-23/32	3-15/16	27-1/2	29-1/2	7-1/4	7-1/4	8-5/8	13/16	..	4	2	5/8	1-8NC	
CP400	18	019211	65	20-27/32	20-23/32		33-1/2	35-1/2									1-8NC	
CP400	24	019212	75	26-27/32	26-23/32		39-1/2	41-1/2									1-8NC	
CP400	30	019213	85	32-27/32	32-23/32		45-1/2	47-1/2									1-8NC	
CP400	36	019214	95	38-27/32	38-23/32		51-1/2	53-1/2									1-8NC	
CP408	12	019220	61	14-5/32	14-3/32	4-7/16	27-1/2	29-1/2	7-3/4	7-3/4	9-1/4	11/16	..	4	2	5/8	1-1/8-7NC	
CP408	18	019221	71	20-5/32	20-3/32		33-1/2	35-1/2									1-1/8-7NC	
CP408	24	019222	81	26-5/32	26-3/32		39-1/2	41-1/2									1-1/8-7NC	
CP408	30	019223	85	32-5/32	32-3/32		45-1/2	47-1/2									1-1/8-7NC	
CP408	36	019224	95	38-5/32	38-3/32		51-1/2	53-1/2									1-1/8-7NC	
CP502	12	019230	65	14-13/32	12-31/32	4-3/8	28-1/2	30-1/2	8-1/4	9-9/16	9-1/2	13/16	..	4	2	3/4	1-1/4-7NC	
CP502	18	019231	75	20-13/32	18-31/32		34-1/2	36-1/2									1-1/4-7NC	
CP502	24	019232	85	26-13/32	24-31/32		40-1/2	42-1/2									1-1/4-7NC	
CP502	30	019233	95	32-13/32	30-31/32		46-1/2	48-1/2									1-1/4-7NC	
CP502	36	019234	105	38-13/32	36-31/32		52-1/2	54-1/2									1-1/4-7NC	
CP515	12	019240	105	14-23/32	14-15/32	5-1/8	30-1/2	32-1/2	9-1/4	9-3/8	11-5/32	7/8	2	5	4	5/8	1-1/2-6NC	See Page B19-23
CP515	18	019241	120	20-23/32	20-15/32		36-1/2	38-1/2									1-1/2-6NC	
CP515	24	019242	135	26-23/32	26-15/32		42-1/2	44-1/2									1-1/2-6NC	
CP515	30	019243	150	32-23/32	32-15/32		48-1/2	50-1/2									1-1/2-6NC	
CP515	36	019244	165	38-23/32	38-15/32		54-1/2	56-1/2									1-1/2-6NC	
CP613	12	019250	115	15-1/32	-	5-5/8	32	34-1/4	9-7/8	-	12-1/16	15/16	2	5	4	3/4	1-3/4-5NC	
CP613	18	019251	135	21-1/32	-		38	40-1/4									1-3/4-5NC	
CP613	24	019252	155	27-1/32	-		44	46-1/4									1-3/4-5NC	
CP613	30	019253	175	33-1/32	-		50	52-1/4									1-3/4-5NC	
CP613	36	019254	195	39-1/32	-		56	58-1/4									1-3/4-5NC	
CP810	12	019260	185	16-9/32	-	7	36	38-1/2	12	-	14-3/4	1-3/16	2-1/2	6	4	3/4	2-4-1/2-NC	
CP810	18	019261	210	22-9/32	-		42	44-1/2									2-4-1/2-NC	
CP810	24	019262	235	28-9/32	-		48	50-1/2									2-4-1/2-NC	
CP810	30	019263	260	34-9/32	-		54	56-1/2									2-4-1/2-NC	
CP810	36	019264	285	40-9/32	-		60	62-1/2									2-4-1/2-NC	
CP908	12	019270	280	17-31/32	-	7-1/2	40-3/4	45-3/4	13-1/2	-	16-1/16	1-1/4	5	10	4	1-1/8	2-4-1/2-NC	
CP908	18	019271	310	23-31/32	-		46-3/4	51-3/4									2-4-1/2-NC	
CP908	24	019272	340	29-31/32	-		52-3/4	57-3/4									2-4-1/2-NC	
CP908	30	019273	370	35-31/32	-		58-3/4	63-3/4									2-4-1/2-NC	
CP908	36	019274	400	41-31/32	-		64-3/4	69-3/4									2-4-1/2-NC	
CP1004	12	019280	370	18-29/32	-	8-1/8	44-1/2	49-1/2	15-3/8	-	17-5/16	1-1/2	5-1/2	10	4	1-1/8	2-1/4-4-1/2-NC	
CP1004	18	019281	400	24-29/32	-		50-1/2	55-1/2									2-1/4-4-1/2-NC	
CP1004	24	019282	430	30-29/32	-		56-1/2	61-1/2									2-1/4-4-1/2-NC	
CP1004	30	019283	460	36-29/32	-		62-1/2	67-1/2									2-1/4-4-1/2-NC	
CP1004	36	019284	490	42-29/32	-		68-1/2	73-1/2									2-1/4-4-1/2-NC	



SELECTION/DIMENSIONS

Take-Up Frames - CP CENTER PULL (CP)

Frame Size	Travel	Frame Part Number	Frame Weight	Travel		Imperial		S2000		Type K		Type E	
				Maximum		L1	L2	L1	L2	L1	L2	L1	L2
				S2 & IP	Type E & K								
CP308	12	019200	30	15-15/32	15-15/32								
CP308	18	019201	34	21-15/32	21-15/32								
CP308	24	019202	38	27-15/32	27-15/32	57/64	1-47/64	53/64	1-45/64	1-1/32	1-1/2	1-1/2	1-1/2
CP308	30	019203	42	33-15/32	33-15/32								
CP308	36	019204	46	39-15/32	39-15/32								
CP400	12	019210	55	14-27/32	14-23/32								
CP400	18	019211	65	20-27/32	20-23/32								
CP400	24	019212	75	26-27/32	26-23/32	53/64	1-63/64	55/64	1-13/16	1-7/32	1-3/4	1-3/4	1-3/4
CP400	30	019213	85	32-27/32	32-23/32								
CP400	36	019214	95	38-27/32	38-23/32								
CP408	12	019220	61	14-5/32	14-3/32								
CP408	18	019221	71	20-5/32	20-3/32								
CP408	24	019222	81	26-5/32	26-3/32	59/64	2-7/64	29/32	1-63/64	1-9/32	1-7/8	1-7/8	1-7/8
CP408	30	019223	85	32-5/32	32-3/32								
CP408	36	019224	95	38-5/32	38-3/32								
CP502	12	019230	65	14-13/32	12-31/32								
CP502	18	019231	75	20-13/32	18-31/32								
CP502	24	019232	85	26-13/32	24-31/32	1-13/64	2-7/32	1-13/64	2	1-5/8	2	2	2
CP502	30	019233	95	32-13/32	30-31/32								
CP502	36	019234	105	38-13/32	36-31/32								
CP515	12	019240	105	14-23/32	14-15/32								
CP515	18	019241	120	20-23/32	20-15/32								
CP515	24	019242	135	26-23/32	26-15/32	1-7/32	2-9/32	1-3/16	2-13/32	1-5/8	2-1/4	2-1/4	2-1/4
CP515	30	019243	150	32-23/32	32-15/32								
CP515	36	019244	165	38-23/32	38-15/32								
CP613	12	019250	115	15-1/32	-								
CP613	18	019251	135	21-1/32	-								
CP613	24	019252	155	27-1/32	-	1-15/32	2-11/16	1-31/64	2-33/64	-	-	-	-
CP613	30	019253	175	33-1/32	-								
CP613	36	019254	195	39-1/32	-								
CP810	12	019260	185	16-9/32	-								
CP810	18	019261	210	22-9/32	-								
CP810	24	019262	235	28-9/32	-	1-21/32	3-3/64	1-39/64	2-55/64	-	-	-	-
CP810	30	019263	260	34-9/32	-								
CP810	36	019264	285	40-9/32	-								
CP908	12	019270	280	17-31/32	-								
CP908	18	019271	310	23-31/32	-								
CP908	24	019272	340	29-31/32	-			3-1/16	3-15/32	-	-	-	-
CP908	30	019273	370	35-31/32	-								
CP908	36	019274	400	41-31/32	-								
CP1004	12	019280	370	18-29/32	-								
CP1004	18	019281	400	24-29/32	-								
CP1004	24	019282	430	30-29/32	-			3-17/64	3-41/64	-	-	-	-
CP1004	30	019283	460	36-29/32	-								
CP1004	36	019284	490	42-29/32	-								



SELECTION/DIMENSIONS

Center Pull Take-Up Frame Bearings

TAPERED ROLLER BEARINGS

Type E

Shaft Size	Frame Size
1-3/8 1-7/16	CP-308
1-1/2 1-5/8 1-11/16	CP-400
1-3/4 1-7/8 1-15/16 2	CP-400
2-3/16	CP-408
2-1/4 2-7/16 2-1/2	CP-502
2-11/16 2-3/4 2-15/16 3	CP-515

- Center Pull Take-Up Frames Are Not Supplied With Bearings. First Match The Take-Up Frame With The Bearing Size From This Page. Then Turn To The Page Listed For The Specific Bearing Part Number
- Type E - B10-30
- Type K - B10-46
- See B19-27 and B19-28 For Center Pull Take-Up Frame Travel Options And Part Numbers

Type K

Shaft Size	Frame Size
1-7/16	CP-308
1-15/16	CP-400
2-3/16	CP-408
2-7/16 2-1/2	CP-502
2-15/16 3	CP-515

SPHERICAL ROLLER BEARINGS

S-2000

Shaft Size	Frame Size
1-3/8 1-7/16 1-1/2	CP-308
1-11/16 1-3/4	CP-400
1-15/16 2	CP-400
2-3/16	CP-408
2-7/16	CP-502
2-11/16 2-15/16 3	CP-515
3-7/16	CP-613
3-15/16	CP-810
4-7/16	CP-908
4-15/16	CP-1004

- Center Pull Take-Up Frames Are Not Supplied With Bearings. First Match The Take-Up Frame With The Bearing Size From This Page. Then Turn To The Page Listed For The Specific Bearing Part Number
- S-2000 - B12-36 to B12-39
- IMPERIAL - B14-18 to B14-22
- See B19-27 and B19-28 For Center Pull Take-Up Frame Travel Options And Part Numbers

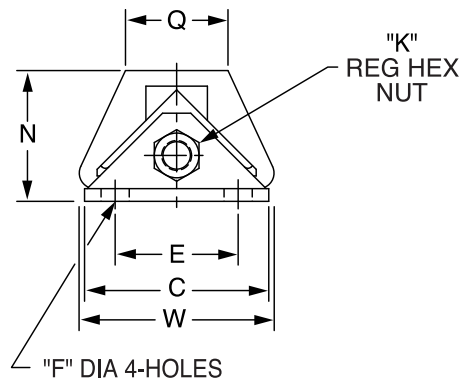
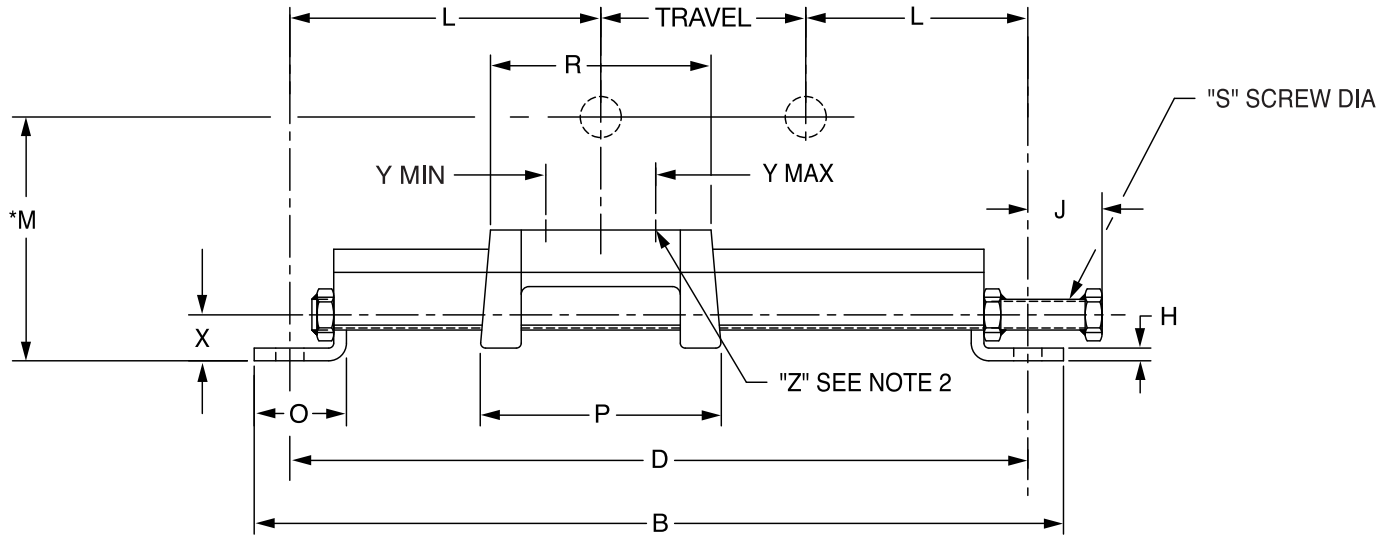
IMPERIAL - IP

Shaft Size	Frame Size
1-1/8 1-3/16	CP308
1-1/4	
1-3/8	
1-7/16 1-1/2	CP-400
1-5/8	
1-11/16	
1-3/4 1-7/8	CP-400
1-15/16	
2	
2-3/16 2-1/4	CP-408
2-3/8 2-7/16 2-1/2	CP-502
2-11/16 2-3/4 2-15/16 3	CP-515
3-3/16 3-1/4 3-7/16 3-1/2	CP-613
3-11/16 3-15/16 4	CP-810



SELECTION/DIMENSIONS

Take-Up Frames - LD LD PROTECTED SCREW TAKE-UP FRAMES



Plummer Blocks

Sleeve Bearings

SLEEVOIL

Take-Up Frames

Engineering

Part Number Index

Keyword Index

FEATURES/BENEFITS PAGE B19-2	HOW TO ORDER/NOMENCLATURE PAGE B19-7	SELECTION/DIMENSIONS PAGE B19-8
---------------------------------	---	------------------------------------



SELECTION/DIMENSIONS

Take-Up Frames - LD LD PROTECTED SCREW TAKE-UP FRAMES

Frame Size x Travel	Part No.	Wt.	B	C	D	E	F Bolt Dia.	H	J	K	L	N	O
LD-10x6	039005	10	19-1/2	3-3/4	18	2-1/2	3/8	1/4	9/16	9/16	6	2-3/4	2-1/8
LD-10x9	039006	11	22		20-1/2						5-3/4		
LD-10x12	038910	13	25		23-1/2						5-3/4		
LD-10x18	038911	14	31		29-1/2						5-3/4		
LD-10x30	038912	16	43		41-1/2						5-3/4		
LD-10x36	038913	18	49		47-1/2						5-3/4		
LD-10x42	038914	20	55		53-1/2						5-3/4		
LD-10x48	038915	22	61		59-1/2						5-3/4		
LD-20x6	039007	12	19-1/2	3-3/4	18	2-1/2	1/2	1/4	1-3/4	9/16	6	2-19/32	2-1/8
LD-20x9	039008	13	22		20-1/2						5-3/4		
LD-20x12	039009	14	25		23-1/2						5-3/4		
LD-20x18	039010	17	33-1/2		32						7		
LD-20x24	039003	18	39-1/2		38						7		
LD-20x30	039002	20	45-1/2		44						7		
LD-20x36	039043	22	51-1/2		50						7		
LD-20x42	038916	24	57-1/2		56						7		
LD-20x48	039044	26	63-1/2	62	7								
LD-30x12	039011	18	28-1/4	3-3/4	26-3/4	2-1/2	1/2	1/4	1-3/4	9/16	7-3/8	2-11/16	2-1/8
LD-30x18	039012	21	34-1/4		32-3/4						7-3/8		
LD-30x24	039084	24	40-1/4		38-3/4						7-3/8		
LD-30x30	038917	27	46-1/4		44-3/4						7-3/8		
LD-30x36	038918	30	52-1/4		50-3/4						7-3/8		
LD-30x42	038919	33	58-1/4		56-3/4						7-3/8		
LD-30x48	038920	35	64-1/4	62-3/4	7-3/8								
LD-40x12	039013	25	28-1/4	4-3/4	26-1/2	3	5/8	5/16	1-3/4	9/16	7-1/4	3-3/16	2-1/4
LD-40x18	039014	28	34-1/4		32-1/2						7-1/4		
LD-40x24	039073	31	40-1/4		38-1/2						7-1/4		
LD-40x30	038921	34	46-1/4		44-1/2						7-1/4		
LD-40x36	038922	37	52-1/4		50-1/2						7-1/4		
LD-40x42	038923	40	58-1/4		56-1/2						7-1/4		
LD-40x48	038924	43	64-1/4	62-1/2	7-1/4								
LD-45x12	039018	50	33	5	31-1/4	3	3/4	5/16	1-9/16	11/16	9-3/4	4-1/8	2-1/2
LD-45x18	039019	55	39-1/4		37-1/2						9-3/4		
LD-45x24	039097	58	45-1/4		43-1/2						9-3/4		
LD-45x30	038925	65	51-1/4		49-1/2						9-3/4		
LD-45x36	038926	70	57-1/4		55-1/2						9-3/4		
LD-45x42	038927	75	63-1/4		61-1/2						9-3/4		
LD-45x48	038928	80	69-1/4	67-1/2	9-3/4								
LD-50x6	039004	49	27	5	25-1/4	3	3/4	5/16	1-9/16	11/16	9-5/8	4-1/8	2-1/2
LD-50x12	039015	54	33		31-1/4						9-3/4		
LD-50x18	039016	60	39-1/4		37-1/2						9-3/4		
LD-50x24	039017	65	45-1/4		43-1/2						9-3/4		
LD-50x30	038929	71	51-1/4		49-1/2						9-3/4		
LD-50x36	038930	77	57-1/4		55-1/2						9-3/4		
LD-50x42	038931	83	63-1/4		61-1/2						9-3/4		
LD-50x48	038932	90	69-1/4		67-1/2						9-3/4		



SELECTION/DIMENSIONS

Take-Up Frames - LD LD PROTECTED SCREW TAKE-UP FRAMES

Frame Size x Travel	Part No.	Wt.	P	Q	R	S Screw Dia.	W	X	Y Bolt Centers		Z Bolt Dia.	Angle
									Max.	Min.		
LD-10x6	039005	10	5-7/8	1-1/2	5-3/8	3/4	3-1/4	15/16	4-3/8	2-7/8	3/8 x 1-1/2	2 x 2 x 1/4
LD-10x9	039006	11										
LD-10x12	038910	13										
LD-10x18	038911	14										
LD-10x30	038912	16										
LD-10x36	038913	18										
LD-10x42	038914	20										
LD-10x48	038915	22										
LD-20x6	039007	12	7-3/4	2-1/8	7-1/4	3/4	3-3/4	15/16	6-1/4	4-7/16	1/2 x 2-1/2	2 x 2 x 1/4
LD-20x9	039008	13										
LD-20x12	039009	14										
LD-20x18	039010	17										
LD-20x24	039003	18										
LD-20x30	039002	20										
LD-20x36	039043	22										
LD-20x42	038916	24										
LD-20x48	039044	26										
LD-30x12	039011	18	8-1/2	2-1/4	8	3/4	3-3/4	15/16	7	5-3/4	5/8 x 2-1/2	2 x 2 x 5/16
LD-30x18	039012	21										
LD-30x24	039084	24										
LD-30x30	038917	27										
LD-30x36	038918	30										
LD-30x42	038919	33										
LD-30x48	038920	35										
LD-40x12	039013	25	9-3/4	2-1/2	9-1/4	3/4	4-3/4	1-1/16	7-7/8	6-3/8	5/8 x 3	2-1/2 x 2-1/2 x 5/16
LD-40x18	039014	28										
LD-40x24	039073	31										
LD-40x30	038921	34										
LD-40x36	038922	37										
LD-40x42	038923	40										
LD-40x48	038924	43										
LD-45x12	039018	50										
LD-45x18	039019	55										
LD-45x24	039097	58										
LD-45x30	038925	65										
LD-45x36	038926	70										
LD-45x42	038927	75										
LD-45x48	038928	80										
LD-50x6	039004	49	13-1/2	3-1/2	13	1	5-7/8	1-1/4	11-1/8	7-5/8	7/8 x 4	3 x 3 x 1/2
LD-50x12	039015	54										
LD-50x18	039016	60										
LD-50x24	039017	65										
LD-50x30	038929	71										
LD-50x36	038930	77	13-1/2	3-1/2	13	1	5-7/8					
LD-50x48	038932	90										

Plumber Blocks

Sleeve Bearings

SLEEVOIL

Take-Up Frames

Engineering

Part Number Index

Keyword Index



SELECTION/DIMENSIONS

Light Duty Take-Up Frame Bearings

BALL BEARINGS

NORMAL DUTY

SETSCREW - SC, SCU, SCB, VSC, VSCB

D-LOK - DL, DLB

ECCENTRIC LOCK - SXR, SXRU, SXR, SXV, SXVU, SXVB

GRIP TIGHT - GT

Series	Shaft Size	Frame Size
203	1/2	LD-10
	5/8	
204	1/2	LD-10
	5/8	
	3/4	
205	20mm	LD-10
	7/8	
	15/16	
206	25mm	LD-20
	1-1/16	
	1-1/8	
	1-3/16	
207	1-1/4	LD-20
	30mm	
	1-1/4	
	1-5/16	
208	1-3/8	LD-20
	1-7/16	
	35mm	
209	1-1/2	LD-20
	1-5/8	
	40mm	
210	1-5/8	LD-20
	1-11/16	
	1-3/4	
211	45mm	LD-30
	1-15/16	
	2	
212	50mm	LD-40
	2	
	2-3/16	
214	2-1/4	LD-40
	55mm	
	2-1/4	
215	2-7/16	LD-45
	60mm	
	2-1/2	
218	2-11/16	LD-50
	70mm	
	2-15/16	
219	75mm	LD-50
	3-7/16	
	3-1/2	
220	85mm	LD-50
	3-1/2	
	85mm	

- Light Duty Take-Up Frames Are Not Supplied With Bearings. First Match The Take-Up Frame With The Bearing Size From This Page. Then Turn To The Page Listed For The Specific Bearing Part Number.
- EZ-KLEEN Polymer Housing - B1-14 to B1-29
- Grip Tight (GT & GTM)- B2-8 to B2-19
- Setscrew (SC, SCM & VSC) - B12-12 to B12-15
- Eccentric Lock (SXR & SXV) - B7-12 to B7-15
- D-LOK (DL & DLM) - B6-10 to B10-22
- See B19-32 For Light Duty Take-Up Frame Travel Options And Part Numbers.

MEDIUM DUTY

SETSCREW - SCM, SCH

D-LOK - DLM, DLH

GRIP TIGHT - GTM

Series	Shaft Size	Frame Size
206	1	LD-20
	25mm	
207	1-3/16	LD-20
	1-1/4	
208	30mm	LD-20
	1-7/16	
209	35mm	LD-20
	1-1/2	
210	40mm	LD-30
	1-11/16	
211	1-3/4	LD-40
	45mm	
212	1-15/16	LD-40
	2	
214	50mm	LD-45
	2-3/16	
215	2-1/4	LD-50
	55mm	
216	2-7/16	LD-50
	2-1/2	
218	65mm	LD-50
	2-11/16	
219	70mm	LD-50
	2-15/16	
220	75mm	LD-50
	3-7/16	
221	85mm	LD-50
	3-1/2	



SELECTION/DIMENSIONS

Light Duty Take-Up Frame Bearings

SPHERICAL ROLLER BEARINGS

IMPERIAL - IP

Shaft Size	Frame Size
1-1/8	LD-20
1-3/16	
1-1/4	
1-3/8	
1-7/16	
1-1/2	
1-5/8	LD-20
1	
11/16	
1-3/4	
1-7/8	
1	LD-30
15/16	
2	
2-3/16	
2-1/4	LD-40
2-3/8	
2-7/16	
2-1/2	LD-45
2-11/16	
2-3/4	
2-15/16	
3	LD-50
3-3/16	
3-1/4	
3-7/16	
3-1/2	

S-2000

Shaft Size	Frame Size
1-3/8	LD-20
1-7/16	
1-1/2	
1-11/16	LD-20
1-3/4	
1-15/16	LD-30
2	
2-3/16	LD-40
2-7/16	
2-11/16	LD-45
2-15/16	
3	
3-7/16	LD-50

UNISPHERE II

Shaft Size	Frame Size
1-7/16	LD-20
1-1/2	
1-11/16	
1-3/4	LD-30
1-15/16	
2	LD-40
2-3/16	
2-7/16	
2-1/2	LD-45
2-11/16	
2-3/4	
2-15/16	
3	LD-50
3-7/16	
3-1/2	

- Light Duty Take-Up Frames Are Not Supplied With Bearings. First Match The Take-Up Frame With The Bearing Size From This Page. Then Turn To The Page Listed For The Specific Bearing Part Number
- S-2000 - B12-14 to B12-17
- Unisphere II - B13-12 to B13-13
- IMPERIAL - B114-30 to B14-31
- See B19-32 For Light Duty Take-Up Frame Travel Options And Part Numbers.

Frame Size	Max Recommended Housing Cap Load (90° Load Angle)
LD-10	2100
LD-20	3900
LD-30	6200
LD-40	6200
LD-45	9100
LD-50	12500

* Consult the Application Engineering Department for loads greater than listed. In all cases, when loads are heavy, the L10 life of the bearing should be checked for proper selection and life requirements.

* LD Frames are drilled for two bolt pillow blocks



SELECTION/DIMENSIONS

Light Duty Take-Up Frame Bearings

SLEEVE BEARING

LT-700
LT-1000

Series	Shaft Size	Frame Size
204	3/4	LD-10
205	7/8	LD-10
	15/16	
	1 25mm	
206	1-1/8	LD-20
	1-3/16	
	30mm	
207	1-1/4	LD-20
	1-3/8	
	1-7/16	
	35mm	
209	1-11/16	LD-20
	1-3/4	
	45mm	
210	1-15/16	LD-30
	2 50mm	
211	2-3/16	LD-40
	55mm	
212	2-7/16	LD-40
	2-1/2 55mm	
215	2-15/16	LD-50
	3	

- Light Duty Take-Up Frames Are Not Supplied With Bearings. First Match The Take-Up Frame With The Bearing Size From This Page. Then Turn To The Page Listed For The Specific Bearing Part Number
- LT-700 - B17-10 to B17-13
- LT-1000 - B17-10 to B17-13
- Babbitt Sleeve - B17-38 to B17-39
- See B19-32 For Light Duty Take-Up Frame Travel Options And Part Numbers

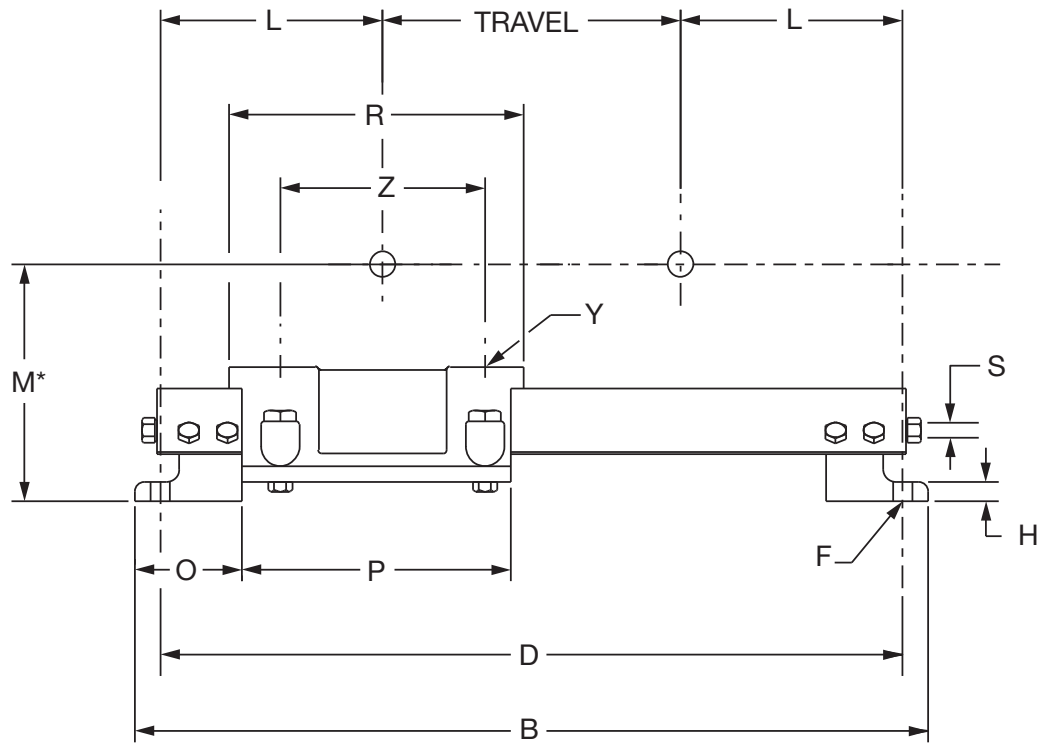
Babbitted Solid Journal Bearing

Shaft Size	Frame Size
1/2 to 1-1/4	LD-10
1-11/16 1-3/4	LD-20
2-15/16	LD-45



SELECTION/DIMENSIONS

Take-Up Frames - HD HD PROTECTED SCREW TAKE-UP FRAMES

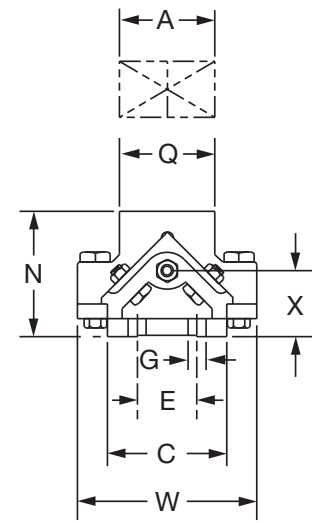


*M = N + Pillow Block Base to Center Dimension

The HD Protected Screw Take-Up Frames

HD 200 through HD 350 Take-Up frames will accommodate pillow blocks on saddles which are slotted for two-bolt Pillow Blocks and may be ordered by part numbers. When using four-bolt Pillow Blocks; or on HD frames 400 and larger, please supply:

1. Bore size of pillow block
2. Type of block (Type E, Double Interlock, USAF, etc.)
3. Whether pillow block is two-or four-bolt style
4. Frame Travel



FEATURES/BENEFITS PAGE B19-2	HOW TO ORDER/NOMENCLATURE PAGE B19-7	SELECTION/DIMENSIONS PAGE B19-8
---------------------------------	---	------------------------------------

Plummer Blocks

Sleeve Bearings

SLEEVOIL

Take-Up Frames

Engineering

Part Number Index

Keyword Index



SELECTION/DIMENSIONS

Take-Up Frames - HD HD PROTECTED SCREW TAKE-UP FRAMES

Frame Size	Travel	Part No. **	Frame Wt.	B	C	D
HD-200*	12	089020	79	31	5	29
	18	089021	82	37	5	35
	24	089022	90	43	5	41
	30	089023	95	47	5	47
	36	089024	100	55	5	53
	48	089150	110	67	5	65
HD-250*	12	089151	115	35-1/4	6	32-3/4
	18	089025	125	41-1/4	6	38-3/4
	24	089026	135	47-1/4	6	44-3/4
	30	089027	137	53-1/4	6	50-3/4
	36	089028	143	59-1/4	6	56-3/4
	48	089152	153	71-1/4	6	68-3/4
HD-300*	12	089153	175	38-1/4	6-1/2	35-1/2
	18	089029	184	44-1/4	6-1/2	41-1/2
	24	089030	194	50-1/4	6-1/2	47-1/2
	30	089031	206	56-1/4	6-1/2	53-1/2
	36	089032	214	62-1/4	6-1/2	59-1/2
	48	089033	240	74-1/4	6-1/2	71-1/2
HD-350*	12	089154	195	40	6-1/2	37-1/4
	18	089034	204	46	6-1/2	43-1/4
	24	089035	212	52	6-1/2	49-1/4
	30	089036	220	58	6-1/2	55-1/4
	36	089037	234	64	6-1/2	61-1/4
	48	089038	250	76	6-1/2	73-1/4
HD-400**	12	089155	340	44	6-1/2	41-1/4
	18	089039	350	50	6-1/2	47-1/4
	24	089040	360	56	6-1/2	53-1/4
	30	089041	370	62	6-1/2	59-1/4
	36	089042	380	68	6-1/2	65-1/4
	48	089043	400	80	6-1/2	77-1/4
HD-500**	12	089156	420	49-1/2	7	47
	18	089044	440	55-1/2	7	53
	24	089045	460	61-1/2	7	59
	30	089046	480	67-1/2	7	65
	36	089047	500	73-1/2	7	71
	48	089048	530	85-1/2	7	83
	60	089604	560	97-1/2	7	95

Frame Size	E	F Bolt Dia.	G Dia.	H	L	N	O	P	Saddle *Dimensions		S Scr. Dia.	W	X	Y Bolt Dia.	Z	
									Q	R					Max.	Min.
									HD-200	2-1/2					5/8	3/4
HD-250	3	5/8	3/4	3/4	10-3/8	6-1/4	5	13-1/4	4-1/2	13	1	8-1/4	3-1/4	3/4	10-7/8	7-5/8
HD-300	3	3/4	7/8	7/8	11-3/4	7	6	14-1/4	5	14	1-1/4	10	3-1/2	3/4	11-5/8	9-1/4
HD-350	3	3/4	7/8	7/8	12-5/8	7	6	16	6	17	1-1/4	10	3-1/2	7/8	13-11/16	10-3/4
HD-400	3	3/4	7/8	7/8	14-5/8	7	6	20	7-1/4	20	1-1/4	10	3-1/2	◆	◆	◆
HD-500	4	7/8	1	1	17-1/2	7-3/4	6-3/4	23-1/2	8-1/2	23-1/2	1-1/2	12-1/2	3-21/32	◆	◆	◆

Consult DODGE for HD600 and HD650 Take-Up Frames, for large bore bearings.

◆ Solid saddle must be drilled and tapped per order (HD-400 & HD500 frames)

* Saddle is slotted to receive 2-bolt blocks.

** For 4-bolt pillow blocks, all HD frames must be drilled and tapped per order. Refer to Page B19-36

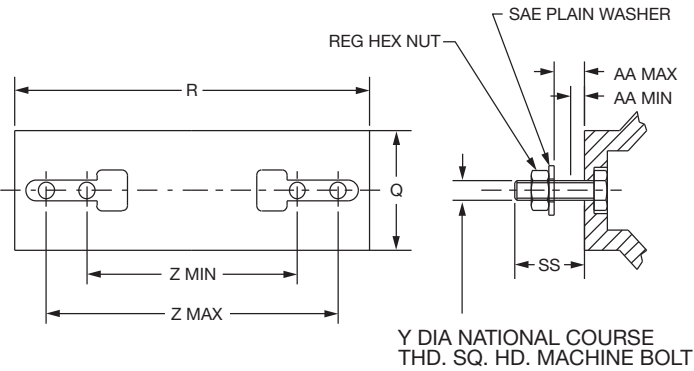
FEATURES/BENEFITS PAGE B19-2	HOW TO ORDER/NOMENCLATURE PAGE B19-7	SELECTION/DIMENSIONS PAGE B19-8
---------------------------------	---	------------------------------------



SELECTION/DIMENSIONS

Take-Up Frames - HD

USING HD PROTECTED SCREW TAKE-UP FRAMES FOR BEARINGS OTHER THAN DODGE



Slotted saddle type HD frames (200 through 350 sizes) may be used with 2-bolt pillow blocks other than DODGE pillow blocks listed in tables on previous pages. The dimensions shown below are listed to determine whether frame is applicable to this type of application.

Frame Size	AA		Saddle Dimensions	
	Min.	Max.	Q	R
HD-200	2	3-1/64	4	11
HD-250	2-5/8	3-13/16	4-1/2	13
HD-300	2-31/32	4-5/32	5	14
HD-350	2-27/32	4-11/16	6	17

Frame Size	Y			SS	Z	
	Bearing Hold Down Bolts				Bolt Centers	
	Diameter	Part Number	Length Under Head		Max.	Min.
HD-200	5/8-11	416173	4	3-5/8	9-7/16	5-15/16
HD-250	3/4-10	416229	5	4-17/32	10-7/8	7-5/8
HD-300	3/4-10	416231	5-1/2	4-7/8	11-5/8	9-1/4
HD-350	7/8-9	416275	5-1/2	5	13-11/16	10-3/4

Note: The Pillow Blocks must use the bolt shown and have the capability of mounting between the Z bolt centers. The height off the mounting bolt pad must be within the AA dimensions.



SELECTION/DIMENSIONS

Heavy Duty Take-Up Frame Bearings

TAPERED ROLLER BEARINGS

Type E		Type K Double Interlock		TAF	
Shaft Size	Frame Size	Shaft Size	Frame Size	Shaft Size	Frame Size
1-1/2 to 2-1/2	HD-200*	1-1/2 to 2-3/16	HD-200*	2-7/16 to 2-1/2	HD-200*
2-11/16 to 3	HD-250*	2-1/4 to 2-1/2	HD-250*	2-15/16 to 3	HD-250*
3-3/16 to 3-1/2	HD-350*	2-11/16 to 3	HD-300*	3-7/16 to 4	HD-350*
3-15/16 to 5	HD-400**	3-3/16 to 3-1/2	HD-350*	4-7/16 to 5	HD-400**
5-7/16 to 6	HD-500**	3-15/16 to 4-1/2	HD-400**	5-7/16	HD-500**
		4-15/16 to 5	HD-500**		

- Heavy Duty Take-Up Frames Are Not Supplied With Bearings. First Match The Take-Up Frame With The Bearing Size From This Page. Then Turn To The Page Listed For The Specific Bearing Part Number

- Type K - B10-40
- Type E - B10-22
- DOUBLE INTERLOCK - B10-50
- TAF - B10-58
- See B19-37 For Heavy Duty Take-Up Frame Travel Options and Part Numbers

* HD-200, HD-250, HD-300 and HD 350 Frames Are Drilled For Two Bolt Base Pillow Blocks. For 4-bolt pillow blocks, refer to note on page B19-36.

**HD-400 And Larger Are Drilled And Tapped Per Order. Specify Bearing Type When Ordering.



SELECTION/DIMENSIONS

Heavy Duty Take-Up Frame Bearings

SPECIALITY TAPERED ROLLER BEARINGS

Special Duty		Type C		All-Steel	
Shaft Size	Frame Size	Shaft Size	Frame Size	Shaft Size	Frame Size
1-3/8 to 2	HD-200	1-3/8 to 1-15/16	HD-200	2-11/16 to 3	HD-250*
2-1/8 to 2-1/2	HD-250	2 to 2-7/16	HD-250	3-7/16 to 3-1/2	HD-300*
2-3/8 to 3	HD-300	2-3/8 to 2-15/16	HD-300	3-15/16 to 4	HD-350*
3-3/16 to 3-1/2	HD-350	3 to 3-7/16	HD-350	4-7/17 to 5	HD-400**
3-11/16 to 4	HD-400**	3-1/2 to 4	HD-400**		
4-7/16 to 5	HD-500**	4-7/16 to 5	HD-500**		

- Heavy Duty Take-Up Frames Are Not Supplied With Bearings. First Match The Take-Up Frame With The Bearing Size From This Page. Then Turn To The Page Listed For The Specific Bearing Part Number

- Specialty Duty - B11-30
- Type C - B11-8
- All Steel - B11-54
- See B19-37 For Heavy Duty Take-Up Frame Travel Options and Part Numbers

*HD-200, HD-250, HD-300 and HD 350 Frames Are Drilled For Two Bolt Base Pillow Blocks. For 4-bolt pillow blocks, refer to note on page B19-36.

**HD-400 And Larger Are Drilled And Tapped Per Order. Specify Bearing Type When Ordering.

FEATURES/BENEFITS PAGE B19-2	HOW TO ORDER/NOMENCLATURE PAGE B19-7	SELECTION/DIMENSIONS PAGE B19-8
---------------------------------	---	------------------------------------



SELECTION/DIMENSIONS

Heavy Duty Take-Up Frame Bearings

UNITIZED SPHERICAL ROLLER BEARINGS

Imperial - IP		S-2000		UNISPHERE II			
Shaft Size	Frame Size	Shaft Size	Frame Size	Shaft Size	Frame Size		
1-1/8 to 2-1/2	HD-200*	1-3/8 1-7/16 1-1/2 1-11/16 1-3/4 1-15/16	HD-200*	1-15/16 2 2-3/16 2-7/16 2-1/2	HD-200		
2-11/16 2-3/4 2-15/16 3	HD-250*	2 2-3/16 2-7/16 2-11/16		HD-250			
3-3/16 3-1/4 3-7/16 3-1/2	HD-300*	2-15/16 3 3-7/16				HD-300	
3-11/16 3-15/16 4 4-7/16 4-1/2	HD-350*	4-15/16					HD-350
4-15/16 5		HD-400**					

- Heavy Duty Take-Up Frames Are Not Supplied With Bearings. First Match The Take-Up Frame With The Bearing Size From This Page. Then Turn To The Page Listed For The Specific Bearing Part Number
- S-2000 - B12-14 to B12-29
- IMPERIAL - B14-30 to B14-37
- UNISPHERE - B13-12 to B13-13
- See B19-37 For Heavy Duty Take-Up Frame Travel Options and Part Numbers

*HD-200, HD-250, HD-300 and HD 350 Frames Are Drilled For Two Bolt Base Pillow Blocks. For 4-bolt pillow blocks, refer to note on page B19-36.

**HD-400 And Larger Are Drilled And Tapped Per Order. Specify Bearing Type When Ordering.



SELECTION/DIMENSIONS

Heavy Duty Take-Up Frame Bearings

UNIFIED SPHERICAL ROLLER BEARINGS

USAF-500

SAF-XT

SAFS

ISAF

Shaft Size	Frame Size
1-15/16 to 2-3/16	HD-200*
2-7/16 to 3	HD-250*
3-3/16	HD-300*
3-7/16 to 3-1/2	HD-350*
3-15/16 to 4-1/2	HD-400**
4-15/16 to 5-1/2	HD-500**

Take-Up Frame Size	Maximum Recommended Housing Cap. Loads ** (at 90° load angle)
HD-200	2800
HD-250	4200
HD-300	4200
HD-350	3500
HD-400	***
HD-500	***

- Heavy Duty Take-Up Frames Are Not Supplied With Bearings. First Match The Take-Up Frame With The Bearing Size From This Page. Then Turn To The Page Listed For The Specific Bearing Part Number
- IMPERIAL - B14-52 to B14-57
- USAF-500 - B14-26 to B14-29
- SAF-XT - B15-56 to B15-59
- SAFS - B15-61 to B15-63
- See B19-37 For Heavy Duty Take-Up Frame Travel Options and Part Numbers

*HD-200, HD-250, HD-300 and HD 350 Frames Are Drilled For Two Bolt Base Pillow Blocks. For 4-bolt pillow blocks, refer to note on page B19-36.

**HD-400 And Larger Are Drilled And Tapped Per Order. Specify Bearing Type When Ordering.

FEATURES/BENEFITS PAGE B19-2	HOW TO ORDER/NOMENCLATURE PAGE B19-7	SELECTION/DIMENSIONS PAGE B19-8
---------------------------------	---	------------------------------------



SELECTION/DIMENSIONS

Heavy Duty Take-Up Frame Bearings

SLEEVE BEARINGS

MM-700
MM-1000

Shaft Size	Frame Size
3-7/16 3-1/2	HD-250*
3-15/16 4	HD-300*
4-7/16 4-1/2	HD-350*
4-15/16 5	HD-400**

- Heavy Duty Take-Up Frames Are Not Supplied With Bearings. First Match The Take-Up Frame With The Bearing Size From This Page. Then Turn To The Page Listed For The Specific Bearing Part Number
- MM 700 - B17-14
- MM 1000 - B17-14
- Angle Babbitt - B17-42 to B17-43
- Bronze B17-50 to B17-53
- See B19-37 For Heavy Duty Take-Up Frame Travel Options and Part Numbers

Angle Babbitt
Bronze Babbitt

Shaft Size	Frame Size
1-15/16 2-3/16 2-7/16	HD-200*
2-11/16 2-15/16	HD-250*
3-7/16	HD-300*
3-15/16	HD-350*
4-7/16 4-15/16	HD-400**
5-7/16 5-15/16	HD-500**

*HD-200, HD-250, HD-300 and HD 350 Frames Are Drilled For Two Bolt Base Pillow Blocks. For 4-bolt pillow blocks, refer to note on page B19-36.

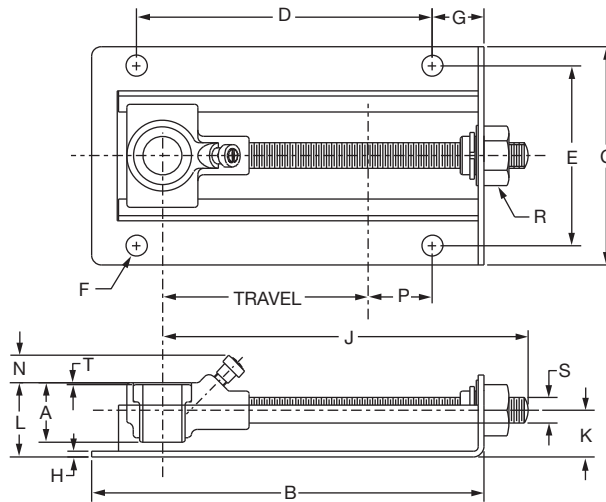
**HD-400 And Larger Are Drilled And Tapped Per Order. Specify Bearing Type When Ordering.

FEATURES/BENEFITS PAGE B19-2	HOW TO ORDER/NOMENCLATURE PAGE B19-7	SELECTION/DIMENSIONS PAGE B19-8
---------------------------------	---	------------------------------------



SELECTION/DIMENSIONS

Take-Up Frames - BRONZOIL

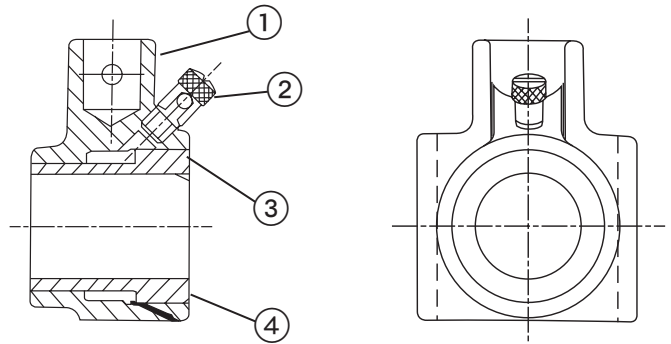


Shaft Size X Travel	Part Number	Description	Wt.	A	B	C	D	E
1/2 x 4	034020	BOTU-008X4	1.9					
5/8 x 4	034021	BOTU-010X4	1.8	1-3/16	7-5/8	4-1/4	5-3/4	3-1/2
3/4 x 4	034022	BOTU-012X4	1.7					
7/8 x 4	034023	BOTU-014X4	2.1					
15/16 x 4	034024	BOTU-015X4	2.0	1-9/16	7-5/8	4-1/4	5-3/4	3-1/2
1 x 4	034025	BOTU-100X4	1.9					

Shaft Size X Travel	F Bolt Dia.	G	H	J	K	L	N	P	R Hex. Size	S	T
1/2 x 4											
5/8 x 4	3/8	1	7/64	7-1/8	29/32	1-7/16	1/2	1-1/4	1	1/2	1/16
3/4 x 4											
7/8 x 4											
15/16 x 4	3/8	1	7/64	7-1/8	29/32	1-5/8	5/16	1-1/4	1	1/2	1/16
1 x 4											

BRONZOIL Take-Up Bearing Assembly

Size	(TUBO---) Assy. No	1	2	3	4
1/2	034030	034001	405046	034013	444010
5/8	034031	034001	405046	034014	444010
3/4	034032	034001	405046	034015	444010
7/8	034033	034002	405046	034016	444010
15/18	034034	034002	405046	034017	444010
1	034035	034002	405046	034018	444010

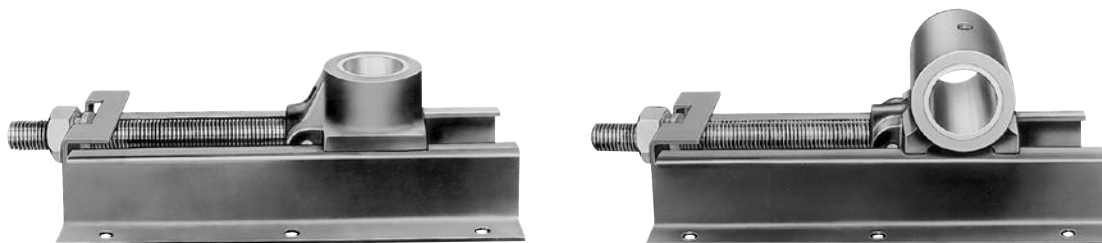


1. BRONZOIL Housing
2. BRONZOIL Take-Up Oil Cup
3. BRONZOIL Bushing
4. BRONZOIL Permawick



SELECTION/DIMENSIONS

Take-Up Bearings - Type A & B



TYPE A & B TAKE-UP BEARINGS (Only) TYPE A & B TAKE-UP FRAMES DISCONTINUED

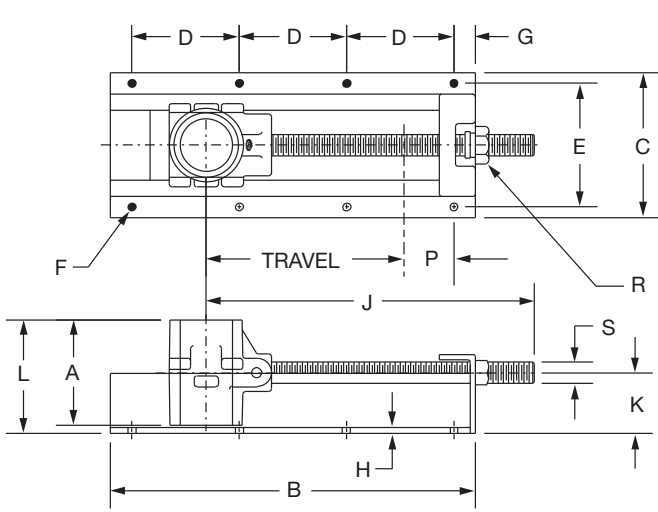
Shaft Size x Travel	Type A Take-Up Bearing		
	Part Number	Description	Wt.
15/16 x 5	036180	TUA-015-TUBRG	2.6
1 x 5	036181	TUA-100-TUBRG	2.5
1-3/15 x 5	036182	TUA-103-TUBRG	2.3
1-1/4 x 5	036183	TUA-104-TUBRG	2.2
1-7/16 x 6	036184	TUA-107-TUBRG	3.5
1-7/16 x 12			
1-11/16 x 6	036185	TUA-111-TUBRG	4.1
1-11/16 x 12			
1-15/16 x 9	036186	TUA-115-TUBRG	6.7
1-15/16 x 18			
2-3/16 x 9	036187	TUA-203-TUBRG	10.1
2-3/16 x 18			
2-7/16 x 9	036188	TUA-207-TUBRG	8.8
2-7/16 x 18			

Shaft Size x Travel	Type B Take-Up Bearing		
	Part Number	Description	Wt.
15/16 x 5	036270	TUB-015-TUBRG	3.6
1 x 5	036193	TUB-100-TUBRG	3.5
1-3/15 x 5	036194	TUB-103-TUBRG	3.3
1-1/4 x 5	036274	TUB-104-TUBRG	3.2
1-7/16 x 6	036196	TUB-107-TUBRG	4.7
1-7/16 x 12			
1-11/16 x 6	036197	TUB-111-TUBRG	5.4
1-11/16 x 12			
1-15/16 x 9	036198	TUB-115-TUBRG	8.6
1-15/16 x 18			
2-3/16 x 9	036199	TUB-203-TUBRG	12.7
2-3/16 x 18			
2-7/16 x 9	036200	TUB-207-TUBRG	11.4
2-7/16 x 18			

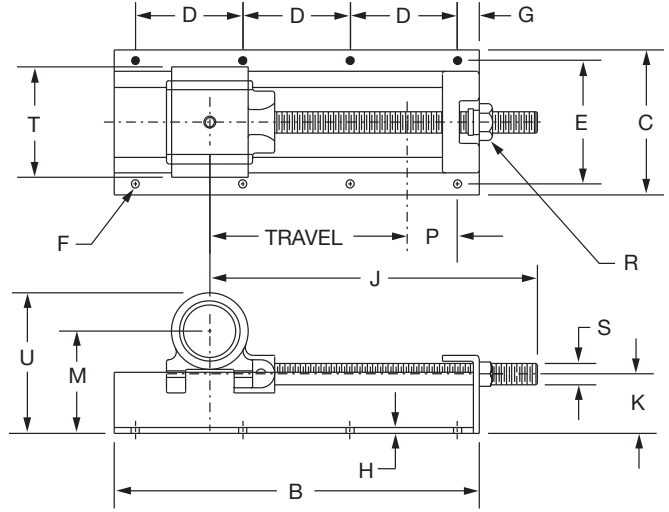


SELECTION/DIMENSIONS

Take-Up Bearings - Type A & B



TYPE TUA



TYPE TUB

Shaft Size x Travel	A	B	C	D	E	F Bolt		G	H	J	K
						No.	Dia.				
15/16 x 5 1 x 5 1-3/16 x 5 1- 1/4 x 5	2-5/8	9-3/4	4-3/4	3-1/2	4	6	5/16	1-3/8	1/8	8-3/4	1-5/8
1-7/16 x 6 1-7/16 x 12	3-1/8	1218	5-3/45-3/4	55-1/4	4-3/44-3/4	68	3/33/8	11	3/163/16	10-1/216-1/2	22
1-11/16 x 6 1-11/16 x 12	3-3/8	1218	5-3/45-3/4	55-1/4	4-3/44-3/4	68	3/83/8	11	3/163/16	10-1/216-1/2	22
1-15/16 x 9 1-15/16 x 18	4-1/8	1726	6-3/46-3/4	56	5-3/45-3/4	810	3/83/8	11	1/41/4	14-1/223-1/2	2-3/42-3/4
2-3/16 x 9 2-3/16 x 18	4-7/8	1726	6-3/46-3/4	56	5-3/45-3/4	810	3/83/8	11	1/41/4	14-1/223-1/2	2-3/42-3/4
2-7/16 x 9 2-7/16 x 18	4-7/8	1726	6-3/46-3/4	56	5-3/45-3/4	810	3/83/8	11	1/41/4	14-1/223-1/2	2-3/42-3/4

Shaft Size x Travel	L	M	P	R Hex.	S	T	U	Grease Cup	
								Pipe Tap	Size
15/16 x 5 1 x 5 1-3/16 x 5 1- 1/4 x 5	3	2-3/4	1-5/8	1-5/16	3/4	2-7/8	3-27/32	1/8	0
1-7/16 x 6 1-7/16 x 12	3-5/8	3-3/83-3/8	2-1/22-1/2	1-1/2	7/8	3-3/8	4-19/32	1/4	0
1-11/16 x 6 1-11/16 x 12	3-3/4	3-5/83-5/8	2-1/22-1/2	1-1/2	7/8	3-5/8	4-31/32	1/4	0
1-15/16 x 9 1-15/16 x 18	4-7/8	4-1/24-1/2	3-3/83-3/8	1-5/8	1	4-3/8	6-1/32	1/4	1
2-3/16 x 9 2-3/16 x 18	5-1/4	4-3/44-3/4	3-1/83-1/8	1-5/8	1	5-1/8	6-17/32	1/4	1
2-7/16 x 9 2-7/16 x 18	5-1/4	4-3/44-3/4	3-3/83-3/8						

FEATURES/BENEFITS PAGE B19-2	HOW TO ORDER/NOMENCLATURE PAGE B19-7	SELECTION/DIMENSIONS PAGE B19-8
---------------------------------	---	------------------------------------

CONTENT

ENGINEERING/TECHNICAL

BEARING ENGINEERING SECTION

Vibration Frequencies of Anti-Friction Mounted Bearings	B20-2
Bearing Life Adjustment Factors (Rolling Element Bearings)	B20-8

PT COMPONENT ENGINEERING SECTION

V-Belt Drive Formulas	B20-10
V-Belt Cross Sections	B20-11
Material Characteristics	B20-12

GENERAL ENGINEERING SECTION

Shafting	B20-14
Expansion of Shafting	B20-19
Weights/Properties of Steel Shafting	B20-20
Oil Viscosity Classification	B20-22
English Standard Measurement	B20-23
Metric System of Measurement & Conversions	B20-26
Common Conversion Factors	B20-28
Formulas and Constants	B20-34
Centrifugal Force	B20-35
Flywheel Formulas	B20-35
Torque and Horsepower Equivalents	B20-36
Overhung Loads	B20-36
Mathematical Equations	B20-36
Strength and Physical Properties of Various Metals	B20-37
Properties of Sections	B20-38
Coefficients of Friction (f)	B20-39
Hardness Comparison	B20-39
U.S. Standard Sheet Metal Gages	B20-39
Trigonometric Formula	B20-40
NEMA Quick Reference Chart	B20-41
IEC Quick Reference Chart	B20-42

Part Number Index	INDEX-1
Keyword Index	KEYWORD-1

Vibration Frequencies of DODGE Anti-Friction Mounted Bearings

More and more manufacturing facilities are getting involved with plant-wide preventive maintenance programs. By monitoring vibration levels of motors, pumps, fans and compressors, maintenance supervisors can predict imminent failures. Knowing that a piece of equipment is showing signs of potential failure permits scheduling of maintenance at an appropriate time and avoids the consequences of catastrophic failures. Shown in Tables 1 - 10 are vibration frequencies generated by bearing components defects. All frequencies are based on unity inner ring or cone rotation.

Frequency

Cup Nick or Spall	= 1000 x 9.251	= 9251 RPM
Cone Nick or Spall	= 1000 x 11.749	= 11749 PM
*Roller Nick or Spall	= 1000 x 4.011 x 2	= 8022 RPM
Cage (Train) Frequency (Inner Ring Rotation)	= 1000 x 0.441	= 441 RPM

Since all the values in Tables 1 - 10 are based on unity inner ring or cone rotation, the vibration due to flaws will show up at the frequencies obtained by multiplying the RPM times the factors found on the appropriate table. The resulting product will have units of RPM.

How to Use the Tables

If a 2-7/16 Type E pillow block is rotating at 1000 RPM, the vibration due to a failed component will show up at the following frequencies: (Table 3, Line 6)

Table 1: All Setscrew, Eccentric, D-LOK & GT Ball Bearing Parameters For Vibration Analysis (1-RPS)

Series	SC Bore	SCM Bore	# Balls	Diameter of Balls	Pitch Diameter	Outer Ring Frequency Hz	Inner Ring Frequency Hz	* Ball Spin Frequency Hz	Cage Frequency Hz
203	1/2 - 5/8		8	17/64	1.151	3.078	4.923	2.050	0.385
204	1/2 - 3/4		8	5/16	1.325	3.057	4.943	2.002	0.382
205	7/8 - 1		9	5/16	1.533	3.582	5.418	2.350	0.398
206	1-1/6 - 1-1/4	1	9	3/8	1.823	3.575	5.426	2.328	0.397
207	1-1/4 - 1-7/16	1-3/16	9	7/16	2.136	3.579	5.422	2.339	0.398
208	1-1/2 - 1-5/8	1-7/16 - 1-1/2	9	1/2	2.387	3.558	5.443	2.283	0.395
209	1-11/16 - 1-3/4	1-1/2	9	13/25	2.559	3.586	5.414	2.360	0.398
210	1-15/16 - 2	1-11/16 - 1-3/4	10	1/2	2.765	4.056	5.904	2.674	0.410
211	2-2-1/4	1-15/16 - 2	10	9/16	3.092	4.090	5.910	2.657	0.410
212	2-1/4 - 2-7/16	2-3/16 - 2-1/4	10	5/8	3.385	4.077	5.923	2.616	0.408
214	2-11/16	2-7/16 - 2-1/2	10	11/16	3.775	4.089	5.911	2.654	0.409
215	2-15/16	2-11/16	11	11/16	4.085	4.574	6.456	2.887	0.416
216		2-15/16 - 3	11	3/4	4.330	4.547	6.453	2.800	0.413
218		3-7/16 - 3-1/2	11	27/32	4.920	4.557	6.443	2.830	0.414

Table 2: Type E, K, DI, and TAF Tapered Roller Bearing Parameters For Vibration Analysis (1-RPS)

Bore Size	# Rollers Per Row	Mean Diameter of Rollers	Pitch Diameter	Contact Angle	Cup Frequency Hz	Cone Frequency Hz	* Roller Spin Frequency Hz	Cage Frequency Hz
1-3/16 - 1-1/4	19	0.23	1.774	17.533	8.326	10.675	3.798	0.438
1-3/8 - 1-7/16	20	0.29	2.084	16.500	8.666	11.334	3.529	0.433
1-1/2 - 1-11/16	18	0.35	2.411	16.000	7.744	10.256	3.377	0.430
1-3/4 - 2	17	0.41	2.709	12.033	7.241	9.758	3.231	0.426
2-3/16	19	0.41	3.014	13.283	8.242	10.758	3.611	0.434
2-1/4 - 2-1/2	21	0.41	3.337	14.500	9.251	11.749	4.012	0.441
2-11/16 - 3	24	0.41	3.900	16.733	10.792	13.208	4.708	0.450
3-3/16 - 3-1/2	26	0.46	4.780	18.167	11.811	14.189	5.152	0.454
3-15/16 - 4	26	0.51	5.120	17.567	11.766	14.235	4.974	0.453
4-7/16 - 4-1/2	25	0.59	5.727	18.983	11.282	13.718	4.807	0.451
4-15/16 - 5	25	0.68	6.568	17.000	11.262	13.738	4.782	0.455
5-7/16 - 6	32	0.67	8.444	17.750	14.791	17.209	6.266	0.462
6-7/16 - 7	27	0.93	9.791	19.167	12.289	14.711	5.222	0.455

Cup Frequency = $N * RPM * (1 - (Bd * \cos a / Pd)) / 120$

Cone Frequency = $N * RPM * (1 + (Bd * \cos a / Pd)) / 120$

Roller Spin Frequency = $Pd * RPM * (1 - (Bd * \cos a / Pd)^2) / (120 * Bd)$

Cage Frequency = $RPM * (1 - (Bd * \cos a / Pd)) / 120$

Pd = Pitch Diameter

N = Number of rollers

Bd = Roller Diameter

a = Cup Angle (contact angle)

Table 3: Type C Tapered Roller Bearing Parameters For Vibration Analysis (1-RPS)

Bore Size	# Rollers Per Row	Mean Diameter of Rollers	Pitch Diameter	Contact Angle	Cup Frequency Hz	Cone Frequency Hz	* Roller Spin Frequency Hz	Cage Frequency Hz
1-3/16 - 1-7/16	19	0.31	2.251	14.92	8.236	10.764	3.566	0.433
1-1/2 - 1-3/4	21	0.32	2.604	11.50	9.236	11.764	4.010	0.440
1-15/16	22	0.33	2.848	15.00	9.769	12.231	4.261	0.444
2 - 2-1/4	21	0.40	3.335	16.83	9.295	11.705	4.114	0.443
2-3/16 - 2-7/16	25	0.35	3.533	18.00	11.322	13.678	5.002	0.453
2-1/2 - 2-11/16	23	0.43	3.827	16.50	10.261	12.739	4.399	0.446
2-7/16 - 2-15/16	26	0.42	4.220	16.50	11.759	14.241	4.978	0.452
3 - 3-3/16	22	0.55	4.612	16.50	9.742	12.258	4.138	0.443
3-1/4 - 3-7/16	24	0.51	4.761	16.42	10.767	13.233	4.618	0.449
3-1/2 - 4	25	0.59	5.727	18.98	11.282	13.718	4.807	0.4513
4-7/16 - 4-1/2	33	0.46	3.109	11.50	14.108	18.892	3.308	0.428
4-15/16 - 5	26	0.68	6.983	18.00	11.796	14.204	5.091	0.4537

Cup Frequency = $N * RPM * (1 - (Bd * \cos a / Pd)) / 120$

Cone Frequency = $N * RPM * (1 + (Bd * \cos a / Pd)) / 120$

Roller Spin Frequency = $Pd * RPM * (1 - (Bd * \cos a / Pd)^2) / (120 * Bd)$

Cage Frequency = $RPM * (1 - (Bd * \cos a / Pd)) / 120$

Pd = Pitch Diameter

N = Number of rollers

Bd = Roller Diameter

a = Cup Angle (contact angle)

*** Note:** Ball and Roller Spin Frequencies are listed at one (1X) roller spin frequency. For thorough analysis it is important to check frequency level at two (2X) rotational speed of balls or rollers as this is the frequency that a single ball/roller defect will contact the raceways of the bearing. In other words, a ball/roller defect will strike both inner and outer ring in one revolution of the roller.

Type 4: Special Duty Tapered Roller Bearing Parameters For Vibration Analysis (1-RPS)

Bore Size	# Rollers Per Row	Mean Diameter of Rollers	Pitch Diameter	Contact Angle	Cup Frequency Hz	Cone Frequency Hz	Roller Spin Frequency Hz	Cage Frequency Hz
1-3/8 - 1-1/2	21	0.32	2.603	11.50	9.2384	11.7616	4.0188	0.4399
1-9/16 - 1-3/4	26	0.32	3.061	16.00	11.6930	14.3070	4.7323	0.4497
1-7/8 - 2	27	0.32	3.267	17.00	12.2349	14.7651	5.0578	0.4531
2-1/8 - 2-1/4	25	0.35	3.533	18.00	11.3174	13.6826	4.9813	0.4527
2-3/8 - 2-1/2	29	0.35	3.828	18.77	13.2454	15.7546	5.4304	0.4567
2-5/8 - 3	26	0.48	4.572	10.17	11.6498	14.3502	4.6873	0.4481
3-3/16 - 3-1/2	27	0.56	5.541	16.00	12.1840	14.8160	4.8838	0.4513
3-11/16 - 4	23	0.68	6.103	15.88	10.2627	12.7373	4.4180	0.4462
4-7/16 - 4-1/2	26	0.68	6.983	18.00	11.7910	14.2090	5.0689	0.4535
4-15/16 - 5	30	0.75	7.896	17.00	13.6369	16.3631	5.2181	0.4546
5-7/16 - 6	24	0.93	9.123	17.33	10.8322	13.1678	4.8584	0.4513
6-1/2 - 7	29	0.93	10.190	19.23	13.2505	15.7495	5.4378	0.4569
7-15/16 - 8	27	1.12	11.471	12.42	12.2127	14.7873	5.0744	0.4523
8-1/2 - 10	41	0.87	13.979	16.40	19.2761	21.7239	8.0053	0.4701
11 - 12	37	1.20	16.061	12.50	17.1505	19.8495	6.6565	0.4635

$$\text{Cup Frequency} = N * \text{RPM} * (1 - (\text{Bd} * \cos a / \text{Pd})) / 2$$

$$\text{Cone Frequency} = N * \text{RPM} * (1 + (\text{Bd} * \cos a / \text{Pd})) / 2$$

$$\text{Roller Spin Frequency} = \text{Pd} * \text{RPM} * (1 - (\text{Bd} * \cos a / \text{Pd})^2) / (2 * \text{Bd})$$

$$\text{Cage Frequency} = \text{RPM} * (1 - (\text{Bd} * \cos a / \text{Pd})) / 2$$

Pd = Pitch Diameter

N = Number of rollers

Bd = Roller Diameter

a = Cup Angle (contact angle)

Table 5: All Steel Tapered Roller Bearing Parameters For Vibration Analysis (1-RPS)

Bore Size	# Rollers Per Row	Mean Diameter of Rollers	Pitch Diameter	Contact Angle	Cup Frequency Hz	Cone Frequency Hz	* Roller Spin Frequency Hz	Cage Frequency Hz
2-11/16 - 3	27	0.36	4.114	15.50	12.362	14.638	5.673	0.458
3-1/4 - 3-1/2	26	0.51	5.120	17.57	11.766	14.235	4.974	0.453
3-15/16 - 4	33	0.48	5.814	12.50	15.170	17.830	6.017	0.460
4-7/16 - 4-1/2	29	0.60	6.503	12.92	13.196	15.804	5.375	0.455
4-15/16 - 5	32	0.61	7.355	12.50	14.705	17.296	5.989	0.460
5-7/16	27	0.84	8.272	12.00	12.159	14.841	4.875	0.450
5-15/16 - 6	26	0.85	8.323	12.00	11.701	14.300	4.847	0.450
6-7/16 - 7	32	0.81	9.748	12.50	14.702	17.300	5.978	0.459
7-1/2 - 8	27	1.12	11.471	12.42	12.213	14.787	5.074	0.452
9 - 10	32	1.28	14.026	12.03	14.572	17.428	5.435	0.455

$$\text{Cup Frequency} = N * \text{RPM} * (1 - (\text{Bd} * \cos a / \text{Pd})) / 120$$

$$\text{Cone Frequency} = N * \text{RPM} * (1 + (\text{Bd} * \cos a / \text{Pd})) / 120$$

$$\text{Roller Spin Frequency} = \text{Pd} * \text{RPM} * (1 - (\text{Bd} * \cos a / \text{Pd})^2) / (120 * \text{Bd})$$

$$\text{Cage Frequency} = \text{RPM} * (1 - (\text{Bd} * \cos a / \text{Pd})) / 120$$

Pd = Pitch Diameter

N = Number of rollers

Bd = Roller Diameter

a = Cup Angle (contact angle)

*** Note:** Ball and Roller Spin Frequencies are listed at one (1X) roller spin frequency. For thorough analysis it is important to check frequency level at two (2X) rotational speed of balls or rollers as this is the frequency that a single ball/roller defect will contact the raceways of the bearing. In other words, a ball/roller defect will strike both inner and outer ring in one revolution of the roller.

Table 6: S-2000, UNISPHERE II and Imperial Spherical Roller Bearing Parameters for Vibration Analysis (1-RPS)

Basic Bearing Series	S-2000 Bore Size (in)	UNISPHERE II Bore Size (in)	Imperial Bore Size (in)	No. of Rollers	Mean Dia. Of Rollers	Pitch Dia.	Contact Angle	Outer Ring Frequency Hz	Inner Ring Frequency Hz	* Roller Spin Frequency Hz	Cage Frequency Hz
22208	1-3/8 - 1-1/2	1-7/16 - 1-1/2	1-1/8 - 1-1/2	15	0.449	2.449	10.583	6.149	8.851	2.640	0.410
22209	1-11/16 - 1-3/4	1-11/16 - 1-3/4	1-5/8 - 1-3/4	17	0.429	2.665	9.750	7.151	9.849	3.027	0.421
22210	1-15/16 - 2	1-15/16 - 2	1-7/8 - 2	18	0.433	2.858	9.083	7.653	10.347	3.226	0.425
22211	2-3/16	2-3/16	2-3/16 - 2-1/4	19	0.465	3.189	8.750	8.132	10.868	3.361	0.428
22213	2-7/16	2-7/16 - 2-1/2	2-3/8 - 2-1/2	18	0.583	3.795	9.083	7.635	10.365	3.182	0.424
22215	2-11/16 - 3	2-11/16 - 3	2-11/16 - 3	20	0.575	4.197	8.250	8.645	11.355	3.584	0.432
22218	3-7/16	3-7/16 - 3-1/2	3-3/16 - 3-1/2	18	0.780	5.079	8.833	7.635	10.365	3.183	0.424
22220	3-15/16 - 4	3-15/16 - 4	3-11/16 - 4	18	0.878	5.705	9.000	7.632	10.368	3.174	0.424
22222	4-7/16		4-7/16 - 4-1/2	17	1.020	6.287	9.417	7.140	9.860	3.004	0.420
22226	4-15/16		4-15/16 - 5	18	1.118	7.307	9.750	7.643	10.357	3.193	0.425
22228			5-7/16 - 5-1/2	18	1.217	7.933	9.583	7.639	10.361	3.186	0.424
22232			5-15/16 - 6	18	1.409	9.189	9.667	7.639	10.361	3.185	0.424
22236			6-7/16 - 7	18	1.559	10.157	9.417	7.637	10.363	3.183	0.424

Table 7: USAF and SAF-XT Spherical Roller Bearing Parameters for Vibration Analysis (1-RPS)

Basic Bearing Series	USAF/SAF-XT Bore Sizes (in)	No. Of Rollers	Mean Dia. Of Rollers	Pitch Dia.	Contact Angle	Outer Ring Frequency Hz	Inner Ring Frequency Hz	* Roller Spin Frequency Hz	Cage Frequency Hz
22209	1-7/16	18	0.408	2.626	9.633	7.623	10.377	3.147	0.424
22210	1-11/16	19	0.415	2.819	8.917	8.120	10.880	3.328	0.427
22211	1-15/16	19	0.465	3.097	8.833	8.092	10.908	3.260	0.426
22213	2-3/16	20	0.534	3.761	9.117	8.599	11.401	3.456	0.430
22215	2-7/16 - 2-1/2	20	0.587	4.093	8.433	8.582	11.418	3.419	0.429
22216	2-11/16 - 2-3/4	20	0.622	4.410	8.333	8.604	11.396	3.475	0.430
22217	2-15/16 - 3	20	0.679	4.723	8.367	8.578	11.422	3.409	0.429
22218	3-3/16	20	0.702	5.024	8.917	8.620	11.380	3.510	0.431
22220	3-7/16 - 3-1/2	19	0.823	5.609	8.917	8.123	10.877	3.336	0.428
22222	3-15/16 - 4	18	0.979	6.185	9.583	7.595	10.405	3.082	0.422
22224	4-3/16	19	0.999	6.700	9.633	8.103	10.897	3.280	0.426
22226	4-7/16 - 4-1/2	19	1.071	7.205	9.950	8.109	10.891	3.292	0.427
22228	4-15/16 - 5	18	1.217	7.933	9.583	7.639	10.361	3.186	0.424
22230	5-3/16	18	1.315	8.559	9.500	7.636	10.364	3.180	0.424
22232	5-7/16 - 5-1/2	18	1.409	9.189	9.667	7.639	10.361	3.185	0.424
22234	5-15/16 - 6	17	1.583	9.740	9.833	7.139	9.861	2.998	0.420
22236	6-7/16 - 6-1/2	18	1.559	10.157	9.417	7.637	10.363	3.183	0.424
22238	6-15/16 - 7	20	1.496	10.669	10.667	8.622	11.378	3.498	0.431
22240	7-3/16	19	1.614	11.021	10.833	8.133	10.867	3.343	0.428
22244	7-1/2 - 8	19	1.850	12.480	10.833	8.117	10.883	3.301	0.427
23048	8-7/16 - 9	29	1.142	12.008	9.333	13.140	15.860	5.213	0.453
23052	9-7/16 - 9-1/2	27	1.378	13.228	9.667	12.114	14.886	4.749	0.449
23056	9-15/16 - 10-1/2	28	1.378	13.976	9.333	12.638	15.362	5.023	0.451

* **Note:** Ball and Roller Spin Frequencies are listed at one (1X) roller spin frequency. For thorough analysis it is important to check frequency level at two (2X) rotational speed of balls or rollers as this is the frequency that a single ball/roller defect will contact the raceways of the bearing. In other words, a ball/roller defect will strike both inner and outer ring in one revolution of the roller.

Table 8: DODGE USAF Air Handling Spherical Roller Bearing Parameters For Vibration Analysis (1-RPS)

Bore Size	Basic Bearing Series	# Rollers Per Row	Diameter of Rollers	Pitch Diameter	Contact Angle	Outer Ring Frequency Hz	Inner Ring Frequency Hz	*Roller Spin Frequency Hz	Cage Frequency Hz
1-7/16	22209E1K	17	0.3937	2.5976	10.0000	7.231	9.769	3.226	0.425
1-11/16	22210E1K	19	0.3937	2.7976	9.2500	8.180	10.820	3.484	0.431
1-15/16	22211E1K	18	0.4528	3.0921	8.9200	7.698	10.302	3.343	0.428
2-3/16	22213E1K	19	0.5315	3.7110	9.2500	8.157	10.843	3.421	0.429
2-7/16 - 2-1/2	22215E1K	21	0.5315	4.1098	8.3300	9.156	11.846	3.803	0.436
2-11/16 - 2-3/4	22216E1K	20	0.5709	4.3638	8.2500	8.705	11.295	3.758	0.435
2-15/16 - 3	22217E1K	20	0.6299	4.6811	8.5000	8.669	11.331	3.650	0.434
3-3/16	22218E1K	20	0.6693	4.9602	8.8300	8.667	11.333	3.640	0.433
3-7/16 - 3-1/2	22220E1K	19	0.7677	5.5606	9.0000	8.205	10.795	3.554	0.432
3-15/16 - 4	22222E1K	19	0.8661	6.1559	9.4200	8.181	10.819	3.485	0.431
4-3/16	22224E1K	19	0.9252	6.6382	9.5800	8.194	10.806	3.520	0.431
4-7/16 - 4-1/2	22226E1K	19	0.9843	7.1358	9.9200	8.209	10.791	3.558	0.432
4-15/16 - 5	22228E1K	19	1.0630	7.7232	9.6700	8.211	10.789	3.566	0.432

 Outer Ring Frequency = $N * RPM * (1 - (Bd * \cos a / Pd)) / 120$

 Inner Ring Frequency = $N * RPM * (1 + (Bd * \cos a / Pd)) / 120$

 Roller Spin Frequency = $Pd * RPM * (1 - (Bd * \cos a / Pd)^2) / (120 * Bd)$

 Cage Frequency = $RPM * (1 - (Bd * \cos a / Pd)) / 120$

Pd = Pitch Diameter

N = Number of rollers

Bd = Roller Diameter

a = Contact Angle

Table 9: Split-Spherical Roller Bearing Parameters For Vibration Analysis

Bore Size	Basic Bearing Series	# Rollers Per Row	Diameter Of Rollers	Pitch Diameter	Contact Angle	Outer Ring Frequency Hz	Inner Ring Frequency Hz	*Roller Spin Frequency Hz	Cage Frequency Hz
2-3/16	22213SS	17	0.559	3.414	9.000	7.125	9.875	2.973	0.419
2-7/16	22215SS	18	0.551	3.748	9.083	7.693	10.307	3.328	0.427
2-11/16	22216SS	19	0.579	3.950	8.667	8.124	10.876	3.341	0.428
2-15/16	22217SS	20	0.575	4.153	8.250	8.630	11.370	3.545	0.431
3-3/16	22218SS	19	0.654	4.435	8.167	8.114	10.886	3.321	0.427
3-7/16	22220SS	18	0.780	5.079	8.833	7.635	10.365	3.183	0.424
3-15/16 - 4	22222SS	18	0.878	5.634	9.000	7.615	10.385	3.132	0.423
4-3/16	22224SS	17	1.110	6.203	9.417	7.000	10.000	2.708	0.412
4-7/16 - 4-1/2	22226SS	18	1.047	6.727	9.417	7.618	10.382	3.136	0.423
4-15/16	22228SS	18	1.118	7.202	9.750	7.623	10.377	3.145	0.424
5-3/16	22230SS	18	1.217	7.822	9.583	7.620	10.380	3.139	0.423
5-7/16	22232SS	18	1.315	8.442	9.500	7.617	10.383	3.134	0.423
5-15/16 - 6	22234SS	18	1.409	9.059	9.667	7.620	10.380	3.138	0.423
6-7/16 - 6-1/2	22236SS	18	1.409	9.059	9.667	7.620	10.380	3.138	0.423
6-15/16 - 7	22238SS	18	1.559	10.021	9.417	7.619	10.381	3.138	0.423
7-3/16	22240SS	16	1.579	10.716	9.417	6.837	9.163	3.322	0.427
7-1/2 - 8	22244SS	16	1.752	11.257	9.500	6.772	9.228	3.137	0.423
8-1/2 - 9	23048SS	20	1.307	11.189	8.083	8.843	11.157	4.223	0.442
9-1/2	23052SS	22	1.339	11.949	8.417	9.781	12.219	4.408	0.445
10	23056SS	20	1.539	13.175	8.667	8.845	11.155	4.222	0.442

 Outer Ring Frequency = $N * RPM * (1 - (Bd * \cos a / Pd)) / 12$

 Inner Ring Frequency = $N * RPM * (1 + (Bd * \cos a / Pd)) / 120$

 Roller Spin Frequency = $Pd * RPM * (1 - (Bd * \cos a / Pd)^2) / (120 * Bd)$

 Cage Frequency = $RPM * (1 - (Bd * \cos a / Pd)) / 120$

Pd = Pitch Diameter

N = Number of rollers

Bd = Roller Diameter

a = Contact Angle

*** Note:** Ball and Roller Spin Frequencies are listed at one (1X) roller spin frequency. For thorough analysis it is important to check frequency level at two (2X) rotational speed of balls or rollers as this is the frequency that a single ball/roller defect will contact the raceways of the bearing. In other words, a ball/roller defect will strike both inner and outer ring in one revolution of the roller.

Table 10: USDAF Spherical Roller Bearing Parameters For Vibration Analysis (1-RPS)

Bore Size	Basic Bearing Series	# Rollers Per Row	Diameter of Rollers	Pitch Diameter	Contact Angle	Outer Ring Frequency Hz	Inner Ring Frequency Hz	* Roller Spin Frequency Hz	Cage Frequency Hz
10-15/16 - 11	23060K	27	1.575	15.066	9.500	12.108	14.892	4.732	0.448
11-7/16 - 12	23064K	28	1.575	15.850	9.333	12.627	15.373	4.983	0.451
12-7/16 - 12-1/2	23068K	27	1.732	17.007	9.500	12.144	14.856	4.860	0.450
12-15/16 - 13-1/2	23072K	28	1.732	17.793	9.333	12.655	15.345	5.089	0.452
13-15/16 - 14	23076K	30	1.732	18.587	9.000	13.620	16.381	5.320	0.454
15	23080K	29	1.929	19.822	9.167	13.107	15.893	5.091	0.452
15-3/4	23084K	30	1.929	20.609	9.000	13.613	16.387	5.296	0.454
<hr/>									
9-7/16 - 9-1/2	23152K	23	1.693	13.914	12.500	10.134	12.866	4.051	0.441
10-7/16 - 10-1/2	23156K	24	1.732	14.711	12.000	10.618	13.382	4.191	0.442
10-15/16 - 11	23160K	23	1.89	15.923	12.333	10.167	12.834	4.156	0.442
11-15/16 - 12	23164K	23	2.087	17.044	12.833	10.127	12.873	4.025	0.440
12-7/16 - 12-1/2	23168K	23	2.244	18.272	12.833	10.123	12.877	4.013	0.440
13-7/16 - 13-1/2	23172K	24	2.244	19.077	12.333	10.621	13.379	4.195	0.443
13-15/16 - 14	23176K	25	2.323	19.833	12.000	11.068	13.932	4.213	0.443
<hr/>									
8-15/16 - 9	23248K	20	1.929	13.523	14.000	8.616	11.384	3.438	0.431
9-7/16 - 9-1/2	23252K	19	2.126	14.745	14.000	8.171	10.829	3.400	0.430
10-7/16 - 10-1/2	23256K	20	2.126	15.537	13.583	8.670	11.330	3.590	0.434
10-15/16 - 11	23260K	20	2.323	16.706	13.833	8.650	11.350	3.530	0.433
11-15/16 - 12	23264K	20	2.441	17.878	14.000	8.675	11.325	3.598	0.434
12-7/16 - 12-1/2	23268K	20	2.638	19.048	14.167	8.657	11.343	3.545	0.433

Outer Ring Frequency = $N * RPM * (1 - (Bd * \cos a / Pd)) / 120$

Inner Ring Frequency = $N * RPM * (1 + (Bd * \cos a / Pd)) / 120$

Roller Spin Frequency = $Pd * RPM * (1 - (Bd * \cos a / Pd)^2) / (120 * Bd)$

Cage Frequency = $RPM * (1 - (Bd * \cos a / Pd)) / 120$

Pd = Pitch Diameter

N = Number of rollers

Bd = Roller Diameter

a = Contact Angle

*** Note:** Ball and Roller Spin Frequencies are listed at one (1X) roller spin frequency. For thorough analysis it is important to check frequency level at two (2X) rotational speed of balls or rollers as this is the frequency that a single ball/roller defect will contact the raceways of the bearing. In other words, a ball/roller defect will strike both inner and outer ring in one revolution of the roller.

Mounted Bearings Life Adjustment Factor

1.1 GENERAL. For certain applications, it is desirable to specify life for reliability other than 90%. In such cases a life adjustment factor for reliability may be applied to the RATING LIFE. Section 1.2 discusses life adjustment factors for reliability.

Some bearing steels; e.g., vacuum-melted steels, and improved processing techniques, permit manufacture of bearings which offer endurance greater than that calculated by the RATING LIFE formula. Section 1.3 recommends methods to incorporate life adjustment factors for bearing materials into the life formula.

Bearing life calculated according to the RATING LIFE formula assumes proper application conditions. If lubrication is not adequate, loading unusual, or temperatures extreme, the ability of the bearing to attain or exceed the RATING LIFE is seriously impaired. Section 1.4 contains some basic recommendations concerning the effect of unusual application conditions on bearing life.

1.2 LIFE ADJUSTMENT FACTOR FOR RELIABILITY. Bearing life estimated in accordance with this standard is RATING LIFE; i.e., the life associated With 90% reliability or the life which 90% of a group of apparently identical bearings in a given application under similar conditions of load and speed will complete or exceed. While RATING LIFE has proven useful over a period of years as a criterion of performance, some applications require definition of life at reliabilities greater than 90%.

To determine bearing life with reliabilities other than 90% (as previously calculated in the Selection Procedure) the L_{10} must be adjusted by factor a_1 , such that $L_n = a_1 \times L_{10}$.

The life adjustment factors for reliability from Table 11 are recommended.

Table 11: Life Adjustment Factors For Reliability

Reliability %	L_n	Life Adjustment Factor for Reliability a_1
90	L_{10}	1
95	L_5	0.62
96	L_4	(Rating Life)
97	L_3	
98	L_2	
99	L_1	0.21

1.3 LIFE ADJUSTMENT FACTOR FOR MATERIAL. For bearings, which incorporate improved materials and processing, the L_{10} (as previously calculated in the Selection Procedure) must be adjusted by factor a_2 . Factor a_2 depends upon steel analysis, metallurgical processing, forming methods, heat treatment and manufacturing methods in general.

Bearings fabricated from consumable vacuum remelted steels and certain other special analysis steels have demonstrated extraordinarily long endurance. These steels are of exceptionally high quality, and bearings fabricated from these are usually considered special manufacture. As such, a_2 values will not be specified for such steels in this discussion. Generally, a_2 values for such steels can be obtained from the bearing manufacturer.

Mounted Bearings Life Adjustment Factor

1.4 LIFE ADJUSTMENT FACTOR FOR APPLICATION

CONDITIONS. Application conditions which affect bearing life include:

1. Lubrication.
2. Load distribution (including effects of clearance, misalignment, housing, and shaft stiffness, type of loading and thermal gradients).
3. Temperature.
Consideration of (1.2) and (1.3) above requires analytical and experimental techniques beyond the scope of this discussion, therefore, the user should consult the bearing manufacturer for evaluations and recommendations.

In most bearing applications, lubrication serves to separate the rolling surfaces; i.e., rolling elements and raceways; to reduce retainer-rolling elements and retainer-land friction and sometimes to act as a coolant to remove frictional heat generated by the bearing.

If all limitations and qualifications specified by this discussion are observed, then the life adjustment application factor for bearings which are adequately lubricated is 1; i.e., $a_3=1$.

Operating conditions where a_3 might be less than 1 include:

- a) Exceptionally low values of N_{dm} (rpm times bore diameter in mm); e.g., N_{dm} 1000.
- b) Lubricant viscosity less than 20.4 centistokes (100 SUS) at operating temperature.
- c) Excessively high operating temperatures.
When a_3 is less than 1, it may not be assumed that the deficiency in lubrication can be overcome by using an improved steel.

1.5 FACTOR COMBINATIONS. A fatigue life formula including the life adjustment factors is:

Ball Bearings:

$$L_n = a_1 \times a_2 \times a_3 \left(\frac{C^*}{P} \right)^3 \times \frac{(16.667)}{\text{RPM}}$$

Tapered Roller Bearings:

$$L_n = a_1 \times a_2 \times a_3 \left(\frac{C_{90}^*}{P} \right)^{10/3} \times \frac{(1,500,000)}{\text{RPM}}$$

Spherical Roller Bearings:

$$L_n = a_1 \times a_2 \times a_3 \left(\frac{C^*}{P} \right)^{10/3} \times \frac{(16.667)}{\text{RPM}}$$

Indiscriminate application of the life adjustment factors in this formula may lead to serious over-estimation of bearing endurance, since fatigue life is only one criterion for bearing selection.

Care must be exercised to select bearings which are of sufficient size for the application. Undersizing of shaft and housing structures by using bearings which appear adequate from a life standpoint could lead to misalignment and fitting problems which could invalidate the formulas in this discussion.

* C = Basic Load Rating computed in accordance with ABMA-ANSI Standards. $C_{90} = C \times .259$

V-Belt Drive Formulas

V-belt tensioning In cases where tensioning of a drive effects belt pull and bearing loads, the following formulas may be used.

$$T_1 - T_2 = 33,000 \left(\frac{HP}{V} \right)$$

where: T_1 = tight side tension, pounds
 T_2 = slack side tension, pounds
 HP = design horsepower
 V = belt speed, feet per minute

$$T_1 + T_2 = 33,000 (2.5 - G) \left(\frac{HP}{GV} \right)$$

where: T_1 = tight side tension, pounds
 T_2 = slack side tension, pounds
 HP = design horsepower
 V = belt speed, feet per minute
 G = arc of contact correction factor*

$$T_1/T_2 = \frac{1}{1 - 0.8G} \quad (\text{Also } T_1/T_2 = e^{K\phi})$$

where: T_1 = tight side tension, pounds
 T_2 = slack side tension, pounds
 G = arc of contact correction factor*
 e = base of natural logarithms
 K = .51230, a constant for V-belt drive design
 ϕ = arc of contact in radians

$$T_1 = 41,250 (HP/GV)$$

where: T_1 = tight side tension, pounds
 HP = design horsepower
 V = belt speed, feet per minute
 G = arc of contact correction factor

$$T_2 = 33,000 (1.25 - G) (HP/GV)$$

where: T_2 = slack side tension, pounds
 HP = design horsepower
 V = belt speed, feet per minute
 G = arc of contact correction factor

Belt Speed

$$V = \frac{(PD) (RPM)}{3.82} = (PD) (rpm) (.262)$$

where: V = belt speed, feet per minute
 PD = pitch diameter of sheave or pulley
 rpm = revolutions per minute of the same sheave or pulley

* See Table 12 at left

Table 12: Arc of Contact Correction Factor G

D-d C	Small Sheave Arc of Contact	Factor G	D-d C	Small Sheave Arc of Contact	Factor G
.00	180°	1.00	.80	133°	.87
.10	174°	.99	.90	127°	.85
.20	169°	.97	1.00	120°	.82
.30	163°	.96	1.10	130°	.80
.40	157°	.94	1.20	106°	.77
.50	151°	.93	1.30	99°	.73
.60	145°	.91	1.40	91°	.70
.70	139°	.89	1.50	83°	.65

D = Diam. of large sheave. d = Diam. of small sheave
 C = Center distance

Table 13: Allowable Sheave Rim Speed

Sheave Material	Rim Speed in Feet per Minute
Cast Iron	6,500
Ductile Iron	8,000
Steel	10,000

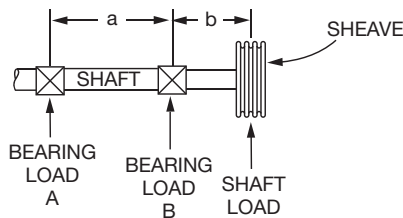
NOTE: Above rim speed values are maximum for normal considerations. In some cases these values may be exceeded. Consult factory and include complete details of proposed application.

$$\text{Dynamic balance RPM for Sheave/Sprocket } \phi = \frac{15600}{\sqrt{\text{Dia} \times \text{Face Width}}}$$

⚡ **Note:** MPTA recommends Dynamic balance when application RPM exceeds this value.

Bearing Load Calculations

To find actual bearing loads, it is necessary to know machine component weights and values of all other forces contributing to the load. Sometimes it becomes desirable to know the bearing load imposed by the V-belt drive

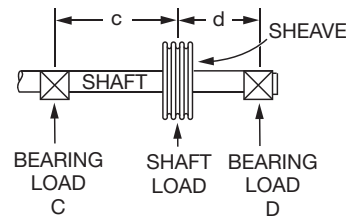


Overhung Sheave

$$\text{Load at B, lbs.} = \frac{\text{Shaft Load} \times (a + b)}{a}$$

$$\text{Load at A, lbs.} = \text{Shaft Load} \times \frac{b}{a}$$

Where: a and b = Spacing, inches



Sheave Between Bearings

$$\text{Load at D, lbs.} = \frac{\text{Shaft Load} \times c}{c + d}$$

$$\text{Load at C, lbs.} = \frac{\text{Shaft Load} \times d}{c + d}$$

Where: c and d = Spacing, inches

Nominal V-Belt Cross Sections

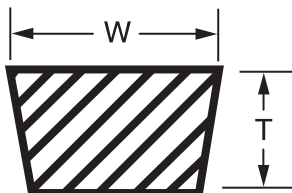


Table 14: Nominal V-Belt Cross Sections

Belt Section	Industry Standard Description	Width W, in Inches	Thickness T, in Inches
3L	FHP, Single	3/8	7/32
4L		1/2	5/16
5L		21/32	3/8
3V	Narrow	3/8	5/16
5V		5/8	17/32
8V		1	29/32
A	Classical Multiple	1/2	5/16
B		21/32	13/32
C		7/8	17/32
D		1-1/4	3/4

Table 15: Maximum Pulley RPM*

Pulley Dia. Inches	FPM													
	100	150	200	250	300	350	400	500	600	700	800	900	1000	
6	64	95	127	159	191	223	254	318	382	445	509	573	636	
8	48	72	95	119	143	167	191	239	286	334	382	429	477	
10	38	57	76	95	115	134	153	191	229	267	305	344	382	
12	32	48	64	80	95	111	127	159	191	223	254	286	318	
14	27	41	55	68	82	95	109	136	164	191	218	245	273	
16	24	36	48	60	72	83	95	119	143	167	191	215	239	
18	21	32	42	53	64	74	85	106	127	148	170	191	212	
20	19	29	38	48	57	67	76	95	115	134	153	172	191	
24	16	24	32	40	48	56	64	80	95	111	127	143	159	
30	13	19	25	32	38	45	51	64	76	89	102	115	127	
36	11	16	21	27	32	37	42	53	64	74	85	95	106	
42	9	14	18	23	27	32	36	45	55	64	73	82	91	
48	8	12	16	20	24	28	32	40	48	56	64	72	80	
54	7	11	14	18	21	25	28	35	42	49	57	64	71	
60	6	10	13	16	19	22	25	32	38	45	51	57	64	

* Maximum RPM values shown are based on 6,500 feet per minute for standard cast iron products. For higher rim speeds, contact Dodge Technical Support at 1-864-284-5700
For values not shown use formula below:

$$\text{Max RPM} = \frac{6,500}{.2618 \times D}$$

D = Pulley Diameter, Inches

Table 16: Material Characteristics

MATERIAL	DENSITY (LB/FT ³)	ANGLE OF REPOSE (DEG)	RECOMMENDED MAXIMUM INCLINATION	MATERIAL	DENSITY (LB/FT ³)	ANGLE OF REPOSE (DEG)	RECOMMENDED MAXIMUM INCLINATION
Alfalfa, Ground	16	45°		Corn, Shelled	45	25°	10
Alum, Lumpy	50 - 60	35°		Corn Sugar	30	35°	
Alum, Pulverized	45 - 50	35°		Corn Grits	40 - 45	35°	
Alumina	60	30°	10-12	Cornmeal	32- 40	35°	22
Aluminum Oxide	70 - 120	30°		Cottonseed, Dry, De-Linted	35	35°	16
Ammonium Sulphate	45 - 60	45°		Cottonseed, Dry, Not De-Linted	18- 25	45°	19
Asbestos, Shredded	20 - 25	45°		Cottonseed, Cake, Lumpy	40- 45	35°	
Ashes, Dry	35 - 40	45°		Cottonseed, Hulls	12	45°	
Ashes, Wet	45 - 50	45°		Cottonseed, Meal	35- 40	35°	22
Ashes, Soft Coal	35 - 45	40°		Cottonseed, Meats	40	35°	
Asphalt, Crushed	45	35°		Cryolite	90-110	35°	
Bagasse	7.50	45°		Cullet	80-120	35°	20
Bakelite, Powder	30 - 40	45°		Diatomaceous Earth	11 - 14	35°	
Baking Powder	40 - 50	35°		Dolomite, Lumpy	90-100	35°	22
Bark, Wood Refuse	10 - 20	45°		Dolomite, Pulverized	46	40°	
Barley	38	25°	10-15	Earth, Dry"	70 - 80	35°	20
Basalt	80 - 120	25°		Earth, Moist	75-110	40°	23
Bauxite, Crushed	75 - 85	35°	20	Earth, Fullers Dry	30- 35	23°	20
Beans, Castor, Whole	30 - 45	25°	8-10	Emery	225	25°	
Beans, Cocoa	30 - 45	35°		Epsom Salt	40- 50	35°	
Beans, Navy	50	25°		Feldspar, Lumps	70-100	35°	17
Beans, Whole	45	45°		Feldspar, Dust	80-100	40°	
Bentonite, Crude	35 - 40	45°		Fish, Meal	35- 40	40°	
Bentonite, Fine	50 - 60	45°		Fish, Scrap	40- 50	0°	
Bones, Pulverized	50 - 60	45°		Flaxseed, Whole	45	25°	12
Borax, Fine	50 - 55	35°		Flaxseed, Meal	25	35°	
Borax Coarse	60 - 70	35°		Flour, Wheat	35- 40	45°	21
Bran	16	35°		Flue Dust, Dry	30- 40	20°	
Brewers Grain, Dry	25 - 35	45°		Fluorspar, Dust	85- 95	45°	
Brewers Grain, Wet	55 - 60	45°		Fluorspar, Lumps	80-110	45°	
Buck Wheat	40	25°	11-13	Foundry, Refuse	60- 80	35°	
Calcium, Carbide	70 - 80	35°		Foundry Sand, Loose	80- 90	35°	
Carbon Black, Pellets	25	25°		Foundry Sand, Rammed	100-110	0°	
Carbon Black, Powder	5	35°		Galena	250	35°	
Cast Iron Chips	100 -120	45°		Garbage, Average	30	25°	
Cement, Clinker	75 - 90	35°		Glass, Batch Fiber	45 - 55	10°	
Cement, Portland	80 -100	35°	20-23	Glass, Batch Wool	80-100	35°	20-22
Chalk, Fine	65 - 75	45°		Glass, Broken	80-100	10°	
Chalk, Lumpy	80 - 95	45°		Glue, Animal, Flaked	35	25°	
Charcoal, Wood	15 - 30	35°	20-25	Glue, Vegetable, Powdered	40	35°	
Chromium Ore	125 - 140	35°		Gluten, Meal	39	35°	
Cinders, Coal	40	35°	20	Granite, Lumps	150 -170	25°	
Clay, Dry, Fine	100 - 120	35°	20-22	Graphite, Flakes	40	35°	
Clay, Dry, Lumpy	60 - 75	35°	18-20	Graphite, Powder	30	25°	
Coal, Anthracite, Coarse	60 - 70	35°	18	Graphite, Ore	65 - 75	35°	
Coal, Anthracite, Loose	50 - 60	30°	16	Grass Seed	10	35°	
Coal, Bituminous, Coarse	50 - 60	35°	18	Gravel, Dry	90-100	35°	15-17
Coal, Bituminous, Loose	45 - 50	35°	16	Gravel, Wet	100-120	35°	
Cocoa Nibs	35 - 40	35°		Gypsum, Lumps	90-100	35°	15
Coconut, Shredded	20 - 25	45°		Gypsum, Ground	75- 80	35°	21
Coffee, Fresh Beans	30 - 40	35°	10-15	Hay, Loose	5	0°	
Coffee, Roasted Beans	22 - 30	25°		Hay, Pressed	25	0°	
Coke, Loose	23 - 32	35°	18	Hominy	35- 50	35°	
Coke Pulverized	25 - 35	45°	20-22	Hops, Spent, Dry	25- 35	45°	
Coke, Petroleum Calcinated	35 - 45	35°	20	Hops, Spent, Wet	55- 60	45°	
Concrete, Cinder	112	0°	12-30	Ice, Crushed	35- 40	20-	
Concrete, Gravel & Sand	150	0°		Ilmenite Ore	140-160	35°	
Copper Ore	120 - 150	35°	20	Iron Ore	120-180	35°	18-20
Copper Sulfate	75 - 85	30°	17	Iron Ore, Pellets	120-140	35°	13-15
Cork, Ground	5 - 15	45°		Iron Sulphate	50- 75	35°	
Corn, On Cob	45	0°		Iron Sulfide	120-140	35°	

Table 16: Material Characteristics (Continued)

MATERIAL	DENSITY (LB/FT ³)	ANGLE OF REPOSE (DEG)	RECOMMENDED MAXIMUM INCLINATION	MATERIAL	DENSITY (LB/FT ³)	ANGLE OF REPOSE (DEG)	RECOMMENDED MAXIMUM INCLINATION
Kaolin, Clay	60	35°	19	Rubber, Pellets	50 - 55	35°	22
Lactose	30	35°		Rubber, Ground Scrap	25 - 35	45°	18
Lead Ore, Crushed	180 - 270	30°		Rye	42 - 45	25°	8
Lead Oxides	60 - 150	40°		Rye Meal	35 - 40	20°	
Lead Sulfate	170 - 190	45°		Salt Cake	80 - 95	30°	21
Lead Sulfide	240 - 260	35°		Salt, Coarse"	45 - 55	35°	18-22
Lignite, Air Dried	45 - 55	35°		Salt, Fine"	70 - 80	35°	11
Lime, Ground	60 - 65	40°	23	Sand, Wet	110 - 130	45°	20-22
Lime, Hydrated	40	40°	21	Sand, Dry	90 - 110	35°	16-18
Lime, Pebble	30 - 40	40°	17	Sand, Loose, Foundry	80 - 100	35°	22
Limestone, Loose	80 - 100	35°	20	Sand, Foundry, Rammed	100 - 110	0°	24
Limestone, Pulverized	85 - 90	45°	18	Sandstone	80 - 90	35°	
Linseed, Whole	45 - 50	25°		Sawdust	10 - 25	30°	22
Linseed, Meal	30 - 40	35°	20	Scale, Rolling Mill	125 - 160	45°	
Magnesium Chloride	30 - 35	40°		Sewage Sludge, Dry	45 - 55	35°	
Magnesium Sulfate	40 - 60	35°		Sewage Sludge, Wet	50 - 60	35°	
Malt, Dry	25 - 30	30°		Shale, Broken	90 - 100	25°	
Malt, Wet	60 - 65	45°		Shale, Crushed	85 - 90	40°	22
Malt, Meal	35 - 40	35°		Silica Gel, Dry	45	35°	
Manganese Ore	125 - 140	40°		Slag, Blast Furnace	80 - 90	25°	10
Manganese Oxide	120	35°		Slag, Granular, Dry	60 - 65	25°	13-16
Manganese Sulfate	70	35°		Slag, Granular, Wet	90 - 100	45°	20-22
Manure	25	0°		Slate, Ground	80 - 90	30°	15
Marble, Crushed	80 - 95	35°		Slate, Lumps	85 - 95	0°	
Marl	80	35°		Snow, Compacted	15 - 50	0°	
Mica, Flakes	20	20°		Soap	10 - 25	35°	
Mica, Ground	15	35°	23	Soda Ash, Briquettes	50	20°	7
Milk, Dried, Flaked	5	35°		Soda Ash, Heavy	55 - 65	30°	19
Milk, Malted	25 - 35	45°		Soda Ash, Light	20 - 35	35°	22
Milk, Powdered	20 - 30	40°		Sodium Aluminum, Ground	72	35°	
Milo Maize	55 - 60	35°		Sodium Nitrate, Ground	70 - 80	24°	11
Molybdenum Ore	100 - 110	40°		Sodium Phosphate	50 - 65	35°	
Mortar, Wet	150	0°		Soybeans, Cracked	30 - 40	35°	15-18
Niacin	35	35°		Soybeans, Whole"	45 - 50	25°	12-16
Nickel-Cobalt Sulfate Ore	80 - 150	35°		Starch, Powdered	25 - 45	25°	12
Oats	25 - 35	25°	10	Steel, Chips	100 - 150	35°	18
Oats, Rolled	20	35°		Steel, Turnings	60 - 120	45°	
Oil Cake	50	45°		Sugar, Cane, Raw	55 - 65	45°	
Oxalic Acid Crystals	60	35°		Sugar, Granulated, Dry	50 - 55	35°	
Oyster Shells, Ground	50 - 60	35°		Sugar, Granulated, Wet	55 - 65	40°	
Oyster Shells, Whole	80	35°		Sugar Cane, Knifed	15 - 18	45°	
Paper Pulp Stock	40 - 60	20°		Sulphur, Lumps	80 - 85	35°	
Peanuts, Shelled	35 - 45	35°		Sulphur, Dust	50 - 70	35°	
Peanuts, Not Shelled	15 - 20	35°		Saconite, Pellets	120 - 140	35°	13-15
Peas, Dried	45 - 50	0°		Salc, Granulated	50 - 70	20°	
Phosphate, Fertilizer	50 - 60	35°	30	Titanium Dioxide	140	35°	
Phosphate, Rock, Crushed	60 - 100	35°	25	Titanium Sponge	60 - 70	45°	
Potash	70 - 80	30°		Tobacco, Leaves	14	45°	
Potassium Chloride	120 - 130	35°		Tobacco, Scraps	15 - 25	45°	
Potassium Nitrate	75 - 80	25°		Tobacco, Stems	15	45°	
Potassium Sulfate	45	45°		Traprock, Crushed	95 - 110	35°	
Potatoes, White"	48	0°		Traprock, Lumps	100 - 110	35°	
Pumice, Ground	40 - 45	45°		Turf	20 - 30	0°	
Pyrites, Lumps	135 - 145	25°		Walnut, Shells	35 - 45	35°	
Pyrites, Pellets	120 - 130	35°		Wheat	48	25°	12
Quartz, Lumps	95 - 100	25°		Wheat, Cracked	40 - 45	35°	
Quartz, Sand	70 - 80	25°		Wheat Germ, Dry	20 - 30	25°	27
Rice, Hulled	45 - 50	20°	8	Wood Chips	10 - 30	45°	22
Rice, Rough	35	35°		Zinc Ore, Granular	160	35°	
Rice, Grits	40 - 45	35°		Zinc Oxide	10 - 35	45°	
Rock, Crushed	100 - 150	30°					

Shafting

Table 17: Typical Commercial Shaft Tolerances

Shaft Size	Plus	Minus
Up to 1-1/2"	.000	.002
Over 1-1/2 to 2-1/2"	.000	.003
Over 2-1/2 to 4"	.000	.004
Over 4 to 6"	.000	.005
Over 6 to 8"	.000	.006
Over 8 to 9"	.000	.007
Over 9"	.000	.008

Table 18: Shaft Tolerances

Shaft Size	Tolerance, Inches
Up to 1-1/2"	+ .0000 - .0005"
1-5/8 to 4"	+ .000 - .001"
4-7/16 to 6"	+ .000 - .0015"
6-7/16 to 8"	+ .000 - .002"

Table 18 lists the recommended tolerances for all setscrew locking, eccentric locking and D-LOK locking ball and roller bearings

Table 19: Shaft Tolerances

Shaft Size	Tolerance, Inches
Up to 1-1/2"	+ .000 - .002"
1-9/16 to 2-1/2"	+ .000 - .003"
2-5/8 to 4"	+ .000 - .004"
4-3/16 to 6"	+ .000 - .005"
6-7/16" and above	+ .000 - .006"

Table 19 list the recommended tolerances for all tapered adapter sleeve ball and roller bearings

Standard Shafting-Table 17 indicates standard shafting is cold drawn in the smaller sizes and turned and polished in the larger diameters. It has a smooth surface, is commercially straight and is readily machinable; suitable and recommended for general power transmission and material handling service.

Special Shafting-While standard shafting is suitable for most installations, special shafting is sometimes required for certain chemical, temperature or physical requirements. Such materials as high carbon steel, alloy steel, stainless steel, brass, Monel metal, etc., can be furnished plain or heat treated. Stepped, flanged, hollow or other special forms are available.

Special shafting should be avoided in favor of standard shafting wherever possible because special shafting is usually considerably more expensive and requires a greater length of time to obtain, which is an especially important consideration should quick replacement ever become necessary.

Ordering Shafting-Standard shafting can be obtained from most supply houses and dealers who handle power transmission material.

Turning Down Shaft Ends-When necessary to turn down shaft ends, use as large a fillet as possible to keep the stress concentration to a minimum. The radius of this fillet should preferably be not less than the difference in the two diameters joined by the fillet. The fillet should be finished and polished as smoothly as possible to avoid scratches which might start cracks and lead to failure of the shaft by fatigue.

Selection of Shaft Diameters

Tables 21 - 24 inclusive can be used to find approximate shaft diameter for various service conditions For greater accuracy use chart under heading "Combined Torsion and Bending of Standard Shafts" (B20-17).

Tables and chart are based upon a safe shear stress of 6,000 pounds per square inch for standard keyseated shafting. Be generous in the selection of shaft diameters as liberal diameters

not only reduce deflection and vibration but also generally increase bearing life.

When necessary to use other than standard shafting, find the required diameter for standard shafting as outlined above and multiply by proper factor shown in Table 25, under heading "Factors for Shafting Other than Standard Shafting, "(B20-16).

Table 20: No Bending Moment (Shafts without pulleys, sprockets or gears - Torsion only)

Shaft Size	Horse Power at Various Revolutions per Minute																		
	25	50	75	100	125	150	175	200	225	250	275	300	350	400	500	600	700	800	900
15/16	0.30	0.70	1.10	1.50	1.90	2.30	2.60	3.00	3.40	3.80	4.20	4.60	5.30	6.10	7.70	9.20	10.70	12.30	13.80
1-3/16	0.70	1.50	2.30	3.10	3.90	4.60	5.40	6.20	7.00	7.80	8.60	9.30	10.90	12.50	15.60	18.70	21.90	25.00	28.10
1-7/16	1.30	2.70	4.10	5.50	6.90	8.30	9.70	11.10	12.40	13.80	15.20	16.60	19.40	22.20	27.70	33.30	38.80	44.40	49.90
1-11/16	2.20	4.40	6.60	8.90	11.20	13.40	15.70	17.90	20.20	22.40	24.70	26.90	31.40	35.90	44.90	53.80	62.80	71.80	80.80
1-15/16	3.30	6.70	10.10	13.50	16.90	20.30	23.70	27.10	30.50	33.90	37.30	40.70	47.50	54.30	67.90	81.50	95.10	108.00	122.00
2-3/16	4.90	9.80	14.60	19.50	24.40	29.30	34.20	39.10	44.00	48.90	53.80	58.60	68.40	78.20	97.80	117.00	136.00	156.00	176.00
2-7/16	6.70	13.50	20.20	27.00	33.80	40.60	47.30	54.10	60.90	67.60	74.40	81.20	94.70	108.00	135.00	162.00	189.00	216.00	243.00
2-11/16	9.00	18.10	27.10	36.20	45.30	54.40	63.40	72.50	81.60	90.70	99.70	108.00	126.00	145.00	181.00	217.00	253.00	290.00	326.00
2-15/16	11.80	23.60	35.40	47.30	59.20	71.00	82.90	94.70	106.00	118.00	130.00	142.00	165.00	189.00	236.00	284.00	331.00	379.00	426.00
3-7/16	19.00	37.90	57.00	75.90	94.90	113.00	132.00	151.00	170.00	189.00	208.00	227.00	265.00	303.00	379.00	455.00	531.00	607.00	683.00
3-15/16	28.50	57.00	85.50	114.00	142.00	171.00	199.00	228.00	256.00	285.00	313.00	342.00	399.00	456.00	570.00	684.00	798.00	912.00	1026.00
4-7/16	40.80	81.60	122.00	163.00	204.00	245.00	286.00	327.00	367.00	408.00	449.00	490.00	572.00	653.00	816.00	980.00	1143.00	1306.00	1470.00

Table 21: Limited Bending Moment (Pulleys, sprockets or gears near bearings. Ordinary line shafts.)

Shaft Size	Horse Power at Various Revolutions per Minute																		
	25	50	75	100	125	150	175	200	225	250	275	300	350	400	500	600	700	800	900
15/16	0.20	0.50	0.70	1.00	1.20	1.50	1.70	2.00	2.30	2.50	2.80	3.00	3.50	4.10	5.10	6.10	7.10	8.20	9.20
1-3/16	0.50	1.00	1.50	2.00	2.60	3.10	3.60	4.10	4.70	5.20	5.70	6.20	7.30	8.30	10.40	12.50	14.60	16.70	18.80
1-7/16	0.90	1.80	2.70	3.70	4.60	5.50	6.40	7.40	8.30	9.20	10.10	11.10	12.90	14.80	18.50	22.20	25.90	29.60	33.30
1-11/16	1.40	2.90	4.30	5.90	7.40	8.90	10.40	11.90	13.40	14.90	16.40	17.90	20.90	23.90	29.90	35.90	41.90	47.90	53.90
1-15/16	2.20	4.50	6.70	9.00	11.30	13.60	15.80	18.10	20.40	22.60	24.90	27.20	31.70	36.20	45.30	54.40	63.40	72.50	81.60
2-3/16	3.20	6.50	9.70	13.00	16.30	19.50	22.80	26.10	29.30	32.60	35.80	39.10	45.60	52.20	65.20	78.30	91.30	104.00	117.00
2-7/16	4.50	9.00	13.50	18.00	22.50	27.00	31.60	36.10	40.60	45.10	49.60	54.10	63.20	72.20	90.20	108.00	126.00	144.00	162.00
2-11/16	6.00	12.10	18.10	24.20	30.20	36.30	42.30	48.40	54.40	60.50	66.50	72.60	84.70	96.80	121.00	145.00	169.00	193.00	217.00
2-15/16	7.90	15.80	23.70	31.60	39.50	47.40	55.30	63.20	71.10	79.00	86.90	94.80	110.00	126.00	158.00	189.00	221.00	252.00	284.00
3-7/16	12.60	25.30	37.90	50.60	63.30	75.90	88.60	101.00	113.00	126.00	139.00	151.00	177.00	202.00	253.00	303.00	354.00	405.00	455.00
3-15/16	19.00	38.00	57.00	76.10	94.10	114.00	133.00	152.00	171.00	190.00	209.00	228.00	266.00	304.00	380.00	456.00	532.00	608.00	685.00
4-7/16	27.00	54.00	81.00	108.00	136.00	163.00	190.00	217.00	245.00	272.00	299.00	326.00	381.00	435.00	544.00	653.00	762.00	871.00	980.00
4-15/16	37.00	75.00	112.00	150.00	187.00	225.00	262.00	300.00	337.00	375.00	412.00	450.00	525.00	600.00	750.00	900.00	1050.00	1200.00	1350.00
5-7/16	50.00	100.00	150.00	200.00	250.00	300.00	350.00	400.00	451.00	501.00	551.00	601.00	701.00	801.00	1002.00	1202.00	1403.00	1603.00	1804.00
5-15/16	65.00	130.00	195.00	261.00	326.00	391.00	456.00	522.00	587.00	652.00	717.00	783.00	913.00	1044.00	1305.00	1566.00	1827.00	2088.00	2349.00
6-1/2	85.00	171.00	256.00	342.00	427.00	513.00	598.00	684.00	769.00	855.00	940.00	1026.00	1197.00	1368.00	1710.00	2052.00	2394.00	2736.00	3078.00

ENGINEERING

Selection of Shaft Diameters (Continued)

Table 22: Heavy Bending Moment. (Use for main or important shafts.)

Shaft Size	Horse Power at Various Revolutions per Minute																		
	25	50	75	100	125	150	175	200	225	250	275	300	350	400	500	600	700	800	900
1-11/16	0.80	1.70	2.50	3.50	4.40	5.30	6.20	7.10	8.00	8.90	9.80	10.70	12.50	14.30	17.90	21.50	25.10	28.70	32.30
1-15/16	1.30	2.70	4.00	5.40	6.70	8.10	9.50	10.80	12.20	13.50	14.90	16.30	19.00	21.70	27.10	32.60	38.00	43.50	48.90
2-3/16	1.90	3.90	5.80	7.80	9.70	11.70	13.70	15.60	17.60	19.50	21.50	23.40	27.40	31.30	39.10	46.90	54.80	62.60	70.40
2-7/16	2.70	5.40	8.10	10.80	13.50	16.20	18.90	21.60	24.30	27.00	29.70	32.40	37.90	43.30	54.10	64.90	75.80	86.60	97.40
2-11/16	3.60	7.20	10.80	14.50	18.10	21.70	25.40	29.00	32.60	36.20	39.90	43.50	50.80	58.00	72.50	87.10	101	116	130
2-15/16	4.70	9.40	14.10	18.90	23.60	28.40	33.10	37.90	42.60	47.30	52.10	56.80	66.30	75.80	94.70	113	132	151	170
3-7/16	7.50	15.10	22.60	30.30	37.90	45.50	53.10	60.70	68.30	75.90	83.50	91.10	106	121	151	182	212	243	273
3-15/16	11.40	22.80	34.20	45.60	57.00	68.40	79.90	91.30	102	114	125	136	159	182	228	273	319	365	410
4-7/16	16.30	32.60	48.90	65.30	81.60	98.00	114	130	147	163	179	196	228	261	326	392	457	522	588
4-15/16	22.50	45.00	67.50	90.00	112	135	157	180	202	225	247	270	315	360	450	540	630	720	810
5-7/16	30.00	60.00	90.00	120	150	180	210	240	270	300	330	360	420	480	601	721	841	961	1082
5-15/16	39.00	78.00	117	156	195	234	273	313	352	391	430	469	547	626	782	939	1095	1252	1409
6-1/2	51.00	102	153	205	256	308	359	410	462	513	564	616	718	821	1027	1232	1437	1643	1848
7	64.00	128	192	256	320	384	448	513	577	641	705	769	897	1026	1282	1539	1795	2052	2308
7-1/2	78.50	157	235	315	394	473	552	631	709	788	867	946	1104	1262	1577	1893	2208	2524	2839
8	95.50	191	286	382	478	574	670	765	861	957	1053	1148	1340	1531	1914	2297	2680	3063	3446
8-1/2	114	229	343	459	574	688	803	918	1033	1148	1263	1377	1607	1837	2296	2755	3215	3674	4133
9	136	272	408	545	681	817	954	1090	1226	1363	1499	1635	1908	2181	2726	3271	3816	4362	4907
9-1/2	160	320	480	641	801	961	1122	1282	1442	1603	1763	1923	2244	2565	3206	3847	4488	5130	5771
10	186	373	559	747	934	1121	1308	1495	1682	1869	2056	2243	2617	2991	3739	4487	5235	5983	6731

Table 23: Severe Conditions (Heavy shock loads. Excessively tight belts, long clutch sleeves.)

Shaft Size	Horse Power at Various Revolutions per Minute																		
	25	50	75	100	125	150	175	200	225	250	275	300	350	400	500	600	700	800	900
1-11/16	0.4	0.89	1.20	1.70	2.20	2.60	3.10	3.50	4.00	4.40	4.90	5.30	6.20	7.10	8.90	10.70	12.50	14.30	16.10
1-15/16	0.6	1.39	2.00	2.70	3.30	4.00	4.70	5.40	6.10	6.70	7.40	8.10	9.50	10.80	13.50	16.30	19.00	21.70	24.40
2-3/16	0.90	1.90	2.90	3.90	4.80	5.80	6.80	7.80	8.80	9.70	10.70	11.70	13.70	15.60	19.50	23.40	27.40	31.30	35.20
2-7/16	1.30	2.70	4.00	5.40	6.70	8.10	9.40	10.80	12.10	13.50	14.80	16.20	18.90	21.60	27.00	32.40	37.90	43.30	48.70
2-11/16	1.80	3.60	5.40	7.20	9.00	10.80	12.70	14.50	16.30	18.10	19.90	21.70	25.40	29.00	36.20	43.50	50.50	58.00	65.00
2-15/16	2.30	4.70	7.00	9.40	11.80	14.20	16.50	18.90	21.30	23.60	26.00	28.40	33.10	37.90	47.30	56.50	66.00	75.50	85.00
3-7/16	3.70	7.50	11.30	15.10	18.90	22.70	26.50	30.30	34.10	37.90	41.70	45.50	53.00	60.50	75.50	91.00	106	121	136
3-15/16	5.70	11.40	17.10	22.80	28.50	34.20	39.90	45.60	51.00	57.00	62.50	68.00	79.50	91.00	114	136	159	182	205
4-7/16	8.10	16.30	24.40	32.60	40.80	49.00	57.00	65.00	73.50	81.50	89.50	98.00	114	130	163	196	228	261	294
4-15/16	11.20	22.50	33.70	45.00	56.00	67.50	78.50	90.00	101	112	123	135	157	180	225	270	315	360	405
5-7/16	15.00	30.00	45.00	60.00	75.00	90.00	105	120	135	150	165	180	210	240	300	360	420	480	541
5-15/16	19.50	39.00	58.50	78.00	97.10	117	136	156	171	195	215	234	273	313	391	469	547	626	704
6-1/2	25.50	51.00	76.50	102.5	128	154	179	205	231	256	282	308	359	410	513	616	718	821	924
7	32.00	64.90	96.00	128	160	192	224	256	288	320	352	384	448	513	641	769	897	1026	1154
7-1/2	39.20	78.50	117	157	197	236	276	315	354	394	433	473	552	631	788	946	1104	1262	1419
8	47.70	95.50	143	191	239	287	335	382	430	478	526	574	670	765	957	1148	1340	1531	1723
8-1/2	57.00	114	171	229	287	344	401	459	516	574	631	688	803	918	1148	1377	1607	1837	2066
9	68.00	136	204	272	340	408	477	545	613	681	749	817	954	1090	1363	1635	1908	2181	2453
9-1/2	80.00	160	240	320	400	480	561	641	721	801	881	961	1122	1282	1603	1923	2244	2565	2885
10	93.00	186	279	373	467	560	654	747	841	934	1028	1121	1308	1495	1869	2243	2617	2991	3365

Caution: Be generous in the selection of shaft diameters as liberal diameters not only reduce deflection and vibration but also generally increase bearing life. See notes on next page.

Selection of Shaft Diameters (Continued)

Shaft Stiffness, Shaft Deflection-Standard shafting of adequate strength usually has a sufficiently large diameter to prevent excessive deflection in ordinary installations. It is wise to select shafting of generous diameter, as the greater the diameter, the greater the stiffness. A high tensile strength alloy shaft, although stronger, is no stiffer than a standard shaft of the same diameter.

While it is sometimes possible to use an alloy shaft of less diameter than a standard shaft of equal strength, this practice is usually inadvisable, as the deflection is increased.

Shafts carrying medium or long clutch sleeves should be especially generous.

High Speed Shafts - High speed sometimes causes shaft whipping or vibration. This can be prevented by making the shaft diameter generous and the distance between bearing centers short.

Location of the bearings close to wheels and couplings is advisable whether the shaft is transmitting heavy or light loads.

The use of high tensile strength alloy shafting instead of standard shafting is of no help in preventing vibration as this will not improve the stiffness nor deflection characteristics of the shaft.

Stepped Shafts - For a heavily loaded wheel, a shaft with a boss or enlarged section under the wheel and turned to a smaller diameter at the bearings often provides the most economical installation. The two different diameters should be joined by a very generous fillet, otherwise a dangerous concentration of stress will occur at the fillet. See heading -

“Turning Down Shaft Ends.” (B16-15).

Shaft Keyseats - Plain keyseats are preferable to round end keyseats in respect to causing the least concentration of stress. However, round end keyseats are often used because of design and assembly requirements. Ends left by the milling cutter should not project into babbitted or bronze bushed bearing, but may project under the sleeve of any DODGE anti-friction bearing.

Shaft diameters obtained from the tables or chart allow for the use of keyseats.

Shaft Bearings - On ordinary line shafting, bearings are commonly spaced about eight feet centers. On large diameter shafts, the spacing may be somewhat greater.

Wheels and clutches should be located near bearings to avoid dangerous bending, deflection and vibration.

Bearings should be mounted on adequate supports so that accurate alignment may be maintained. Shaft misalignment may cause shaft or bearing failure.

Shaft Couplings - Where a rigid coupling is used, it is preferable to have a bearing fairly close. Where a cutoff coupling or a flexible coupling is used, locate bearings close to each end of the coupling.

Expansion of Shafting - Where changes in the length of the shaft due to changes in temperature are to be expected and the bearings are mounted on supporting structures other than steel, consideration must be given to expansion. For more detailed information see B16-20, headed: “Expansion of Shafting.”

Factors for Shafting Other Than Standard Shafting

When it is necessary to use other than standard shafting, multiply required diameter for standard shafting as found in the tables or chart by proper factor from Table 24 below.

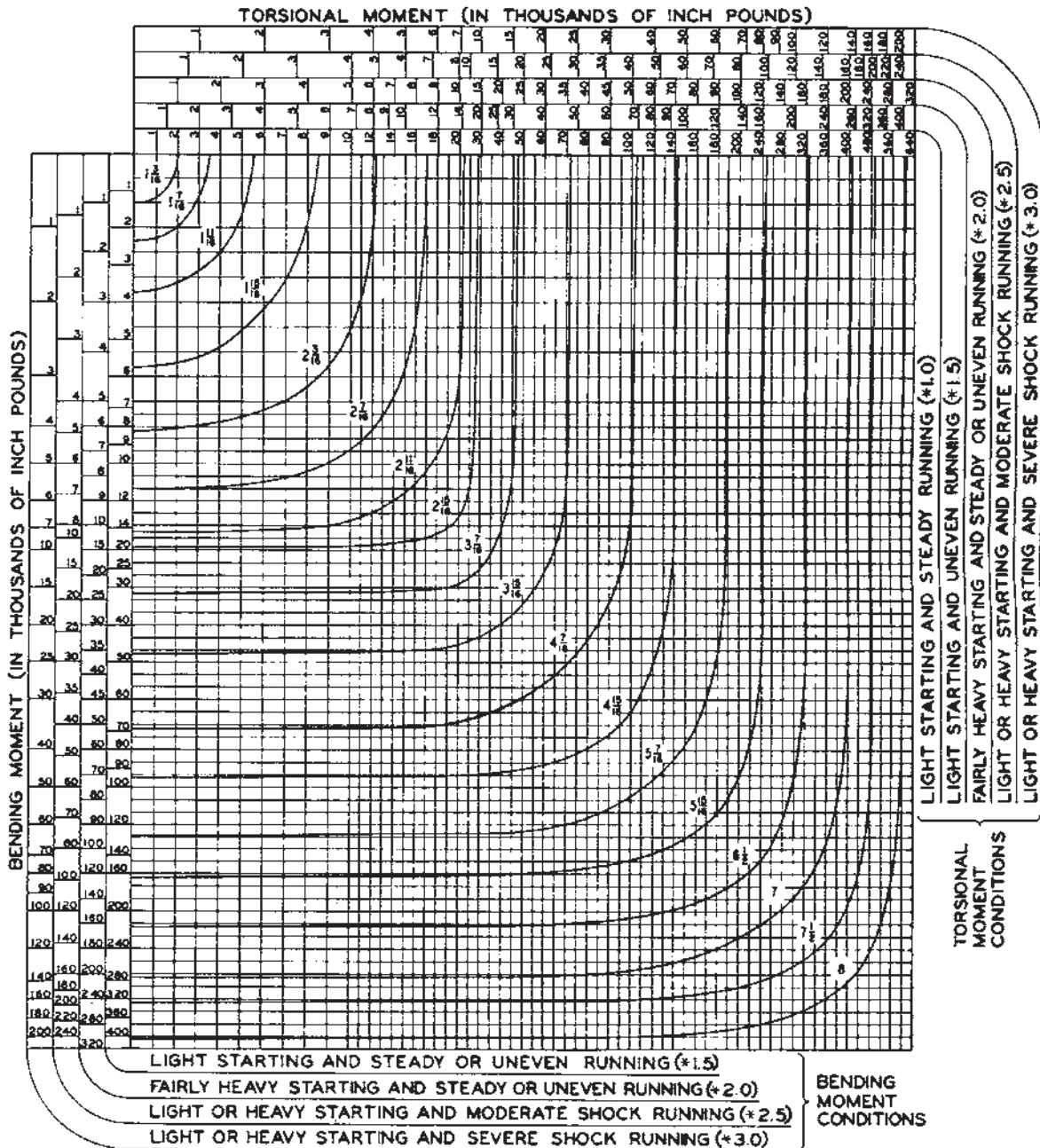
Standard keyseated shafting, using a safe shear stress of 6,000 PSI is the basis of shafting tables and chart. For safe shear stress of other materials, use 1/10 of nominal ultimate tensile strength. For example, use 8,000 for C1045 and 10,000 for 4140 keyseated shafting. When definite physical specifications are known the least of 13.5% of minimum ultimate tensile strength and 22.5% of minimum elastic limit in tension may be used for keyseated shafting; 18% and 30% respectively if not keyseated.

Caution - As the deflection of steel shafting depends upon the diameter and not upon the analysis of the steel, care should be exercised in the use of alloy shafting not to reduce the diameter unduly. Deflection should not be excessive and bearing capacities should be adequate. It is usually best to use standard shafting instead of a smaller diameter alloy shaft. The smaller alloy shaft may safely transmit the torque but often is undesirable in respect to deflection, vibration and bearing life

Table 24: Shear Stress Factors

Safe Shear Stress	Factor	Safe Shear Stress	Factor	Safe Shear Stress	Factor	Safe Shear Stress	Factor	Safe Shear Stress	Factor
500	2.289	3,000	1.260	5,500	1.029	9,000	.874	14,000	.754
1,000	1.817	3,500	1.197	6,000	1.000	10,000	.843	15,000	.737
1,500	1.587	4,000	1.145	6,500	.974	11,000	.817	16,000	.721
2,000	1.442	4,500	1.101	7,000	.950	12,000	.794	17,000	.707
2,500	1.339	5,000	1.063	8,000	.909	13,000	.773	18,000	.693

Combine Torsion and Bending of Standard Shaft (Based on a Safe Shear Stress of 6,000 PS for Keyseated Shafting)



Example: Engine extension shaft driving single cylinder compressor, 15,000 pound-inches torsional moment, 14,000 pound-inches bending moment. Because of the heavy shock running load conditions use scales designated "Light or Heavy Starting and Severe Shock Running". Project a line down from 15,000 torsional moment. Project a line to the right from 14,000 bending moment. The two lines intersect between 3-7/16 and 3-15/16 curves. Use 3-15/16 standard shafting.

Note: The above chart is based on ASME approved standard ASA-B17C-1927 withdrawn in 1954. If the latest shaft selection analysis is required refer to ANSI/ASME B106.1M-1985.

Note: If considering use of other shafting material refer to "Selection of Shaft Diameters" on page B16-18.

Expansion of Shafting

Provision should be made to permit the free movement of shafting endwise due to temperature changes. One bearing should serve as an anchor bearing to locate the shaft endwise. All other bearings should permit the shaft to move freely endwise.

The anchor bearing is often located near an important wheel. On long shafts it should preferably be located near the center of the shaft to keep the expansion of the two ends to a minimum. If the anchor bearing is babbitted it should be fitted with collars. If it is an anti-friction bearing it should be of the non-expansion type, which is the designation of DODGE roller and ball bearings for use as anchor bearings.

All bearings on the shafting other than the anchor bearing should permit the shaft to move freely endwise. If babbitted there should be no thrust collars. If anti-friction these bearings should be of the expansion type.

Several shafts firmly fastened together expand as if one continuous shaft. An example of this is line shafting with flange couplings. If the expansion is considered excessive a long line shaft may be split into two or more sections, the sections being connected with expansion couplings.

Amount of Expansion to be provided for-

The amount of shaft expansion is given in Table 25 below. For example, with a 100°F temperature rise on a 150 ft. line shaft with the anchor bearing located 70 ft. from one end and 80 ft. from the other end the ends will move .529" and .605"

respectively away from the anchor bearing. The structure supporting the bearings may also expand depending on heat exposure. Several cases follow:

Case 1 - Bearings supported on steel structures, where the shaft and structure are exposed to the same temperatures, will expand at the same rate. Expansion allowance is usually not required. If the shaft is exposed to a higher temperature than the support, allowances should be made. For example, if the shaft temperature is expected to change 80°, and the temperature of the structure 60°, the resulting movement between shafting and support ends will be equivalent to a 20° change.

Case 2 - For bearings supported on wood, brick, or concrete walls, or on piers with foundations in the ground, the amount of expansion is usually considered negligible. Therefore, the full amount of shafting expansion as calculated in Table 25 below, may be accommodated.

Case 3 - Certain structural designs have built-in flexibility. Where this is the case, expansion type bearings are not necessary.

Case 4 - Short shafts with only two bearings are usually designed without compensation for expansion, if temperature variations are not excessive.

Advice on Expansion Problems-

DODGE power transmission engineers will gladly make recommendations concerning shaft expansion problems and the use of suitable bearings.

Table 25: Linear Expansion of Steel Shafting

Base on Expansion In Inches = 0.000063 x 12 x Length in Feet x Temp. Increase in Degrees Fahrenheit

Length (Feet)	Temperature Increase-Degrees F.					Length (Feet)	Temperature Increase-Degrees F.				
	20°	40°	60°	80°	100°		20°	40°	60°	80°	100°
1	.0015	.0030	.0045	.0060	.0075	40	.060	.121	.181	.242	.302
2	.0030	.0060	.0091	.0121	.0151	45	.068	.136	.204	.272	.340
3	.0045	.0091	.0136	.0181	.0227	50	.076	.151	.227	.302	.378
4	.0060	.0121	.0181	.0242	.0302	55	.083	.166	.249	.333	.416
5	.0076	.0151	.0227	.0302	.0378	60	.091	.181	.272	.363	.454
6	.0091	.0181	.0272	.0363	.0454	65	.098	.197	.295	.393	.491
7	.0106	.0212	.0318	.0423	.0529	70	.106	.212	.317	.423	.529
8	.0121	.0242	.0363	.0484	.0605	75	.113	.227	.340	.454	.567
9	.0136	.0272	.0408	.0544	.0680	80	.121	.242	.363	.484	.605
10	.0151	.0302	.0454	.0605	.0756	85	.129	.257	.386	.514	.643
12	.0181	.0363	.0544	.0726	.0907	90	.136	.272	.408	.544	.680
14	.0212	.0423	.0635	.0847	.1058	95	.144	.287	.431	.575	.718
16	.024	.048	.073	.097	.121	100	.151	.302	.454	.605	.756
18	.027	.054	.082	.109	.136	110	.166	.333	.499	.665	.832
20	.030	.060	.091	.121	.151	120	.181	.363	.544	.726	.907
25	.038	.076	.113	.151	.189	130	.197	.393	.590	.786	.983
30	.045	.091	.136	.181	.227	140	.212	.423	.635	.847	1.058
35	.053	.106	.158	.212	.265	150	.227	.454	.680	.907	1.134



ENGINEERING

Weights and Properties of Steel Shafting

Table 26: Weight of Round Steel Shafting

Shaft Size	Weight of Shafting for Various Lengths in feet																	Weight Per Inc.
	1	2	3	4	5	6	7	8	9	10	12	14	16	18	20	22	24	
3/4	1.50	3.00	4.50	6.00	7.50	9.00	10.50	12.00	13.50	15.00	18.00	21.00	24.00	27.00	30.00	33.00	36.00	.125
7/8	2.00	4.00	6.10	8.10	10.20	12.20	14.30	16.30	18.40	20.00	25.00	29.00	33.00	37.00	41.00	45.00	49.00	.170
*15/16	2.30	4.70	7.00	9.40	11.70	14.10	16.50	18.80	21.20	23.00	28.00	33.00	38.00	42.00	47.00	52.00	56.00	.195
1	2.70	5.30	8.00	10.60	13.30	16.00	18.60	21.30	24.00	27.00	32.00	37.00	43.00	48.00	53.00	59.00	64.00	.223
1-1/8	3.40	6.80	10.00	13.40	16.70	20.10	23.40	26.70	30.10	34.00	41.00	47.00	54.00	61.00	68.00	74.00	81.00	.281
*1-3/16	3.80	7.60	11.30	15.10	18.90	22.60	26.40	30.10	34.00	38.00	45.00	53.00	60.00	68.00	75.00	83.00	90.00	.314
1-1/4	4.20	8.30	12.50	16.70	20.80	25.00	29.20	33.30	37.50	42.00	50.00	58.00	67.00	75.00	83.00	92.00	100	.348
1-3/8	5.00	10.10	15.30	20.20	25.30	30.30	35.40	40.40	45.40	50.00	60.00	71.00	81.00	91.00	101	111	121	.420
*1-7/16	5.50	11.00	17.00	22.00	28.00	33.00	39.00	44.00	50.00	55.00	66.00	77.00	88.00	99.00	110	121	133	.460
1-1/2	6.00	12.00	18.00	24.00	30.00	36.00	42.00	48.00	54.00	60.00	72.00	84.00	96.00	108	120	132	144	.500
*1-11/16	7.60	15.00	23.00	30.00	38.00	46.00	53.00	61.00	68.00	76.00	91.00	107	122	137	152	167	183	.634
*1-15/16	10.00	20.00	30.00	40.00	50.00	60.00	70.00	80.00	90.00	100	120	140	161	181	201	221	241	.835
2	10.70	21.00	32.00	43.00	53.00	64.00	75.00	85.00	96.00	107	128	150	171	192	214	235	256	.890
*2-3/16	12.80	26.00	38.00	51.00	64.00	77.00	90.00	102	115	128	153	179	205	230	256	281	307	1.06
*2-7/16	15.90	32.00	48.00	63.00	79.00	95.00	111	127	143	159	190	222	254	286	317	349	381	1.32
2-1/2	16.70	34.00	50.00	67.00	83.00	100	117	134	150	167	200	234	267	301	334	367	401	1.39
*2-11/16	19.30	39.00	58.00	77.00	97.00	116	135	154	174	193	232	270	309	348	386	425	463	1.61
*2-15/16	23.00	46.00	69.00	92.00	115	138	161	184	208	231	277	323	369	415	461	507	553	1.92
*3-7/16	31.60	63.00	95.00	126	158	189	221	253	284	316	379	442	505	568	631	695	758	2.63
*3-15/16	41.40	83.00	124	166	207	248	290	331	373	414	497	580	662	745	828	911	994	3.45
*4-7/16	52.60	105	158	210	263	315	368	421	473	526	631	736	841	946	1052	1157	1262	4.38
*4-15/16	65.10	130	195	260	326	391	456	521	586	651	781	911	1041	1172	1302	1432	1562	5.42
*5-7/16	79.00	158	237	316	395	474	553	632	711	790	947	1105	1263	1421	1579	1737	1894	6.58
*6	96.00	192	288	384	481	577	673	769	865	961	1154	1346	1538	1730	1923	2115	2307	8.01

* **Recommended Diameters** These shaft diameters are recommended for use whenever possible as various transmission items such as couplings, collars, clutches, pulleys, etc., are carried in stock in these sizes, at least up to 3-15/16", in the principal cities throughout the United States.

Table 27: Weight and Properties of Round Steel Shafting

Shaft Size	Weight per Inch	Section Modulus		Moment of Inertia		Shaft Size	Weight per Inch	Section Modulus		Moment of Inertia	
		Bending	Torsion	Bending	Torsion			Bending	Torsion	Bending	Torsion
1/16	.00087	.000024	.000048	.000001	.000002	2-7/16	1.32	1.422	2.844	1.733	3.466
1/8	.0035	.000192	.000383	.000012	.000024	2-1/2	1.39	1.534	3.068	1.918	3.835
3/16	.0078	.000647	.001294	.000061	.000121	2-9/16	1.46	1.652	3.304	2.117	4.233
1/4	.0139	.001534	.003068	.000192	.000383	2-5/8	1.53	1.776	3.552	2.331	4.661
5/16	.0217	.002996	.005992	.000468	.000936	2-11/16	1.61	1.906	3.811	2.561	5.122
3/8	.0313	.005177	.010354	.000971	.001941	2-3/4	1.68	2.042	4.084	2.807	5.615
7/16	.0425	.008221	.016442	.001798	.003597	2-13/16	1.76	2.184	4.368	3.071	6.143
1/2	.0556	.0123	.0245	.0031	.0061	2-7/8	1.84	2.333	4.666	3.354	6.707
9/16	.0703	.0175	.0349	.0049	.0098	2-15/16	1.92	2.489	4.977	3.655	7.310
5/8	.0868	.0240	.0479	.0075	.0150	3	2.00	2.651	5.301	3.976	7.952
11/16	.1051	.0319	.0638	.0110	.0219	3-1/16	2.08	2.820	5.640	4.318	8.636
3/4	.125	.0414	.0828	.0155	.0311	3-1/8	2.17	2.996	5.992	4.681	9.363
13/16	.1467	.0527	.1053	.0214	.0428	3-3/16	2.26	3.179	6.359	5.067	10.13
7/8	.1701	.0658	.1315	.0288	.0575	3-1/4	2.35	3.370	6.740	5.477	10.95
15/16	.1954	.0809	.1618	.0379	.0758	3-5/16	2.44	3.568	7.137	5.910	11.82
1	.22	.0982	.1963	.0491	.0982	3-3/8	2.53	3.774	7.548	6.369	12.74
1-1/16	.25	.1178	.2355	.0626	.1251	3-7/16	2.63	3.988	7.976	6.854	13.71
1-1/8	.28	.1398	.2796	.0786	.1573	3-1/2	2.72	4.209	8.419	7.366	14.73
1-3/16	.31	.1644	.3288	.0976	.1952	3-9/16	2.82	4.439	8.878	7.907	15.81
1-1/4	.35	.1917	.3835	.1198	.2397	3-5/8	2.92	4.677	9.353	8.476	16.95
1-5/16	.38	.2220	.4439	.1457	.2913	3-11/16	3.02	4.923	9.845	9.076	18.15
1-3/8	.42	.2552	.5104	.1755	.3509	3-3/4	3.13	5.177	10.35	9.707	19.41
1-7/16	.46	.2916	.5832	.2096	.4192	3-13/16	3.23	5.440	10.88	10.37	20.74
1-1/2	.50	.3313	.6627	.2485	.4970	3-7/8	3.34	5.712	11.42	11.07	22.14
1-9/16	.54	.3745	.7490	.2926	.5852	3-15/16	3.45	5.993	11.99	11.80	23.60
1-5/8	.59	.4213	.8425	.3423	.6846	4	3.56	6.283	12.57	12.57	25.13
1-11/16	.63	.4718	.9435	.3981	.7961	4-1/16	3.67	6.582	13.16	13.37	26.74
1-3/4	.68	.5262	1.052	.4604	.9208	4-1/8	3.78	6.891	13.78	14.21	28.42
1-13/16	.73	.5846	1.169	.5298	1.060	4-3/16	3.90	7.209	14.42	15.09	30.19
1-7/8	.78	.6471	1.294	.6067	1.213	4-1/4	4.01	7.536	15.07	16.01	32.03
1-15/16	.83	.7140	1.428	.6917	1.384	4-5/16	4.13	7.874	15.75	16.98	33.96
2	.89	.7854	1.571	.7854	1.571	4-3/8	4.25	8.221	16.44	17.98	35.97
2-1/16	.94	.8614	1.723	.8883	1.777	4-7/16	4.38	8.579	17.16	19.03	38.07
2-1/8	1.00	.9421	1.884	1.001	2.002	4-1/2	4.50	8.946	17.89	20.13	40.26
2-3/16	1.06	1.028	2.055	1.124	2.248	4-9/16	4.63	9.324	18.65	21.27	42.54
2-1/4	1.13	1.118	2.237	1.258	2.516	4-5/8	4.75	9.713	19.43	22.46	44.92
2-5/16	1.19	1.214	2.428	1.404	2.808	4-11/16	4.88	10.11	20.22	23.70	47.40
2-3/8	1.25	1.315	2.630	1.562	3.124	4-3/4	5.01	10.52	21.04	24.99	49.98

Weights and Properties of Steel Shafting (Continued)

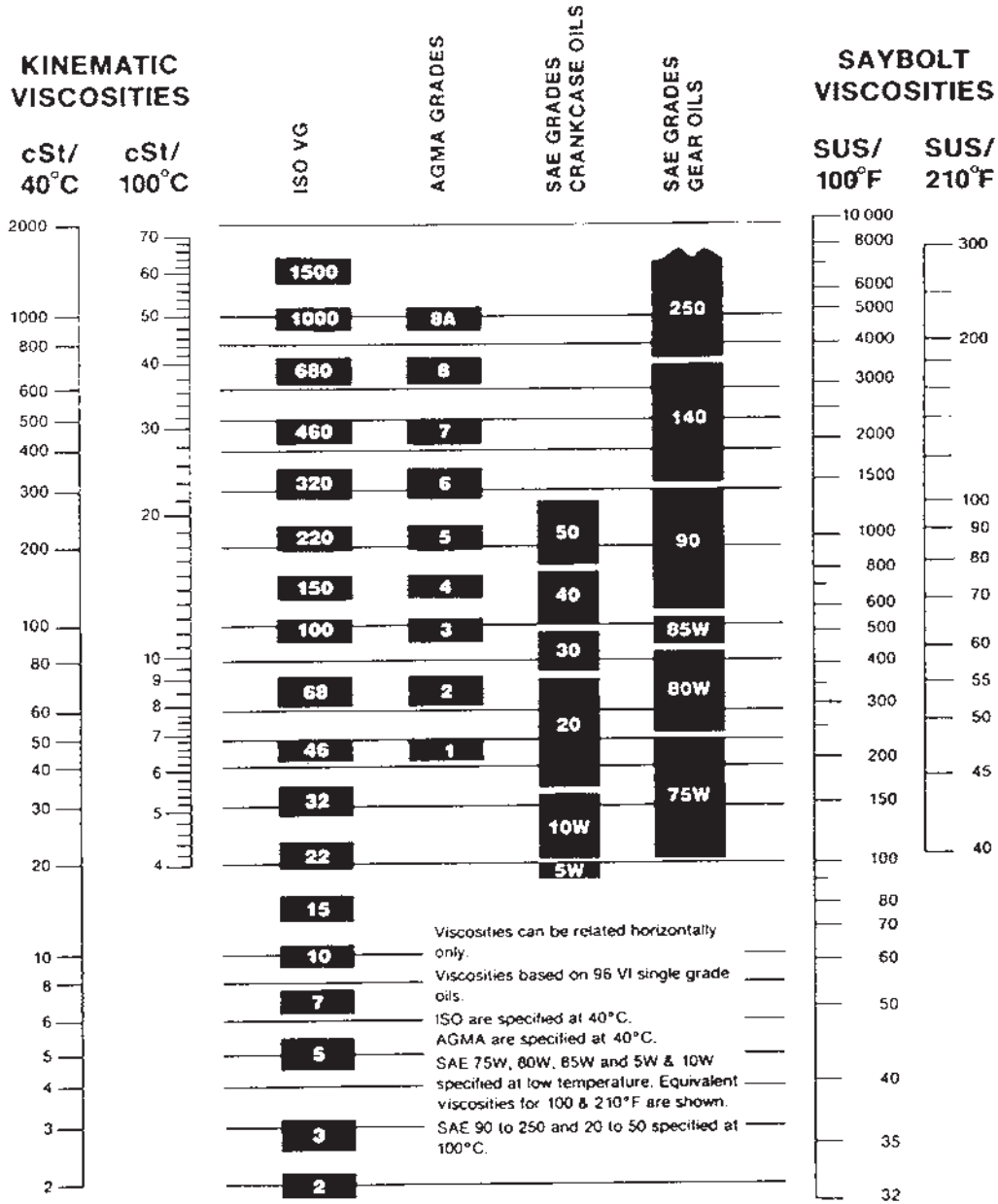
Table 28: Weight and Properties of Round Steel Shafting

Shaft Size	Weight per Inch	Section Modulus		Moment of Inertia		Shaft Size	Weight per Inch	Section Modulus		Moment of Inertia	
		Bending	Torsion	Bending	Torsion			Bending	Torsion	Bending	Torsion
4-13/16	5.15	10.94	21.88	26.33	52.66	13-1/2	40.50	241.50	483.10	1630	3261
4-7/8	5.28	11.37	22.75	27.72	55.45	13-3/4	42.00	255.20	510.40	1755	3509
4-15/16	5.42	11.82	23.63	29.17	58.35	14	43.60	269.40	538.80	1886	3771
5	5.56	12.27	24.54	30.68	61.36	14-1/4	45.10	284.10	568.20	2024	4048
5-1/16	5.70	12.74	25.48	32.24	64.49	14-1/2	46.70	299.30	598.60	2170	4340
5-1/8	5.84	13.22	26.43	33.86	67.73	14-3/4	48.40	315.00	630.10	2324	4647
5-3/16	5.98	13.70	27.41	35.55	71.09	15	50.00	331.30	662.70	2485	4970
5-1/4	6.13	14.21	28.41	37.29	74.58	15-1/4	51.70	348.20	696.40	2655	5310
5-5/16	6.27	14.72	29.44	39.10	78.20	15-1/2	53.40	365.60	731.20	2833	5667
5-3/8	6.42	15.25	30.49	40.97	81.94	15-3/4	55.10	383.60	767.10	3021	6041
5-7/16	6.58	15.78	31.57	42.91	85.82	16	56.90	402.10	804.20	3217	6434
5-1/2	6.72	16.33	32.67	44.92	89.84	16-1/4	58.70	421.30	842.50	3422	6846
5-9/16	6.88	16.90	33.79	46.99	93.99	16-1/2	60.50	441.00	882.00	3638	7277
5-5/8	7.03	17.47	34.95	49.14	98.29	16-3/4	62.40	461.40	922.70	3864	7728
5-11/16	7.19	18.06	36.12	51.36	102.70	17	64.20	482.30	964.70	4100	8200
5-3/4	7.35	18.66	37.33	53.66	107.30	17-1/4	66.10	503.90	1008	4346	8693
5-13/16	7.51	19.28	38.56	56.03	112.10	17-1/2	68.10	526.20	1052	4604	9208
5-7/8	7.67	19.91	39.82	58.48	117.00	17-3/4	70.00	549.10	1098	4873	9745
5-15/16	7.84	20.55	41.10	61.01	122.00	18	72.00	572.60	1145	5153	10306
6	8.00	21.21	42.41	63.62	127.20	18-1/4	74.00	596.70	1193	5445	10891
6-1/16	8.17	21.88	43.75	66.31	132.60	18-1/2	76.10	621.60	1243	5750	11500
6-1/8	8.34	22.56	45.12	69.09	138.20	18-3/4	78.10	647.10	1294	6067	12134
6-3/16	8.51	23.26	46.51	71.95	143.90	19	80.20	673.40	1347	6397	12794
6-1/4	8.68	23.97	47.94	74.90	149.80	19-1/4	82.40	700.30	1401	6741	13481
6-5/16	8.86	24.69	49.39	77.94	155.90	19-1/2	84.50	728.00	1456	7098	14195
6-3/8	9.03	25.44	50.87	81.08	162.20	19-3/4	86.70	756.30	1513	7469	14937
6-7/16	9.21	26.19	52.38	84.30	168.60	20	88.90	785.40	1571	7854	15708
6-1/2	9.39	26.96	53.92	87.62	175.20	20-1/4	91.10	815.20	1630	8254	16508
6-5/8	9.76	28.55	57.09	94.56	189.10	20-1/2	93.40	845.80	1692	8669	17339
6-3/4	10.10	30.19	60.39	101.90	203.80	20-3/4	95.70	877.10	1754	9100	18200
6-7/8	10.50	31.90	63.80	109.70	219.30	21	98.00	909.20	1818	9547	19093
7	10.90	33.67	67.35	117.90	235.70	21-1/4	100.40	942.10	1884	10009	20019
7-1/8	11.30	35.51	71.02	126.50	253.00	21-1/2	102.70	975.70	1951	10489	20978
7-1/4	11.70	37.41	74.82	135.60	271.20	21-3/4	105.10	1010	2020	10985	21970
7-3/8	12.10	39.38	78.76	145.20	290.40	22	107.60	1045	2091	11499	22998
7-1/2	12.50	41.42	82.84	155.30	310.60	22-1/4	110.00	1081	2163	12031	24061
7-5/8	12.90	43.52	87.05	165.90	331.90	22-1/2	112.50	1118	2237	12581	25161
7-3/4	13.30	45.70	91.40	177.10	354.20	22-3/4	115.00	1156	2312	13149	26298
7-7/8	13.80	47.95	95.89	188.80	377.60	23	117.60	1194	2389	13737	27473
8	14.30	50.27	100.50	201.10	402.10	23-1/4	120.10	1234	2468	14344	28687
8-1/8	14.70	52.66	105.30	213.90	427.90	23-1/2	122.70	1274	2548	14971	29941
8-1/4	15.10	55.13	110.30	227.40	454.80	23-3/4	125.40	1315	2630	15618	31236
8-3/8	15.60	57.67	115.30	241.50	483.00	24	128.00	1357	2714	16286	32572
8-1/2	16.10	60.29	120.60	256.20	512.50	24-1/4	130.70	1400	2800	16975	33951
8-5/8	16.50	62.99	126.00	271.60	543.30	24-1/2	133.40	1444	2888	17686	35372
8-3/4	17.00	65.77	131.60	287.70	575.50	24-1/4	136.20	1488	2977	18419	36838
8-7/8	17.50	68.63	137.30	304.50	609.10	25	138.90	1534	3068	19175	38350
9	18.00	71.57	143.10	322.10	644.10	25-1/4	141.70	1580	3161	19954	39907
9-1/8	18.50	74.59	149.20	340.30	680.70	25-1/2	144.50	1628	3256	20755	41511
9-1/4	19.00	77.70	155.40	359.40	718.70	25-3/4	147.40	1676	3352	21581	43163
9-3/8	19.50	80.89	161.80	379.20	758.40	26	150.30	1726	3451	22432	44864
9-1/2	20.10	84.17	168.30	399.80	799.60	26-1/4	153.20	1776	3552	23307	46614
9-5/8	20.60	87.54	175.10	421.30	842.60	26-1/2	156.10	1827	3654	24208	48415
9-3/4	21.10	90.99	182.00	443.60	887.20	26-3/4	159.00	1879	3758	25134	50268
9-7/8	21.70	94.54	189.10	466.80	933.60	27	162.00	1932	3865	26087	52174
10	22.20	98.17	196.30	490.90	981.70	27-1/2	168.10	2042	4083	28074	56148
10-1/4	23.40	105.72	211.40	541.80	1084	28	174.30	2155	4310	30172	60344
10-1/2	24.50	113.65	227.30	596.70	1193	28-1/2	180.50	2273	4545	32385	64771
10-3/4	25.70	121.96	243.90	655.50	1311	29	186.90	2394	4789	34719	69437
11	26.90	130.67	261.30	718.70	1437	29-1/2	193.40	2520	5041	37176	74351
11-1/4	28.10	139.78	279.60	786.30	1573	30	200.00	2651	5301	39761	79522
11-1/2	29.40	149.31	298.60	858.50	1717	30-1/2	206.80	2785	5571	42479	84957
11-3/4	30.70	159.26	318.50	935.70	1871	31	213.60	2925	5849	45333	90666
12	32.00	169.65	339.30	1018	2036	31-1/2	220.50	3069	6137	48329	96659
12-1/4	33.40	180.47	360.90	1105	2211	32	227.60	3217	6434	51472	102944
12-1/2	34.70	191.75	383.50	1198	2397	32-1/2	234.80	3370	6740	54765	109530
12-3/4	36.10	203.48	407.00	1297	2594	33	242.10	3528	7056	58214	116428
13	37.60	215.69	431.40	1402	2804	34	256.90	3859	7717	65597	131194
13-1/4	39.00	228.37	456.70	1513	3026	35	272.30	4209	8418	73662	147324

Plummer Blocks
Sleeve Bearings
SLEEVOIL
Take-Up Frames
Engineering
Part Number Index
Keyword Index

Viscosity Classification Equivalents

OIL VISCOSITY EQUIVALENCY CHART



ISO VISCOSITY CLASSIFICATION SYSTEM

All industrial oils are graded according to the ISO Viscosity Classification System, approved by the International Standards Organizations (ISO). Each ISO viscosity grade number corresponds to the mid-point of viscosity range expressed in centistokes (cSt) at 40°C. For example, a lubricant with an ISO grade of 32 has a viscosity within the range of 28.80-35.2, the midpoint of which is 32.

Rule-of-Thumb: The comparable ISO grade of a competitive product whose viscosity in SUS at 100°F is known can be determined by using the following conversion formula:

$$\text{SUS @ 100° F} \div 5 = \text{cSt @ 40° C}$$

English Standard Measures

Long Measure

1 mile = 1760 yards = 5280 feet.
 1 yard = 3 feet = 36 inches.
 1 foot = 12 inches.

Surveyor's Measure

1 mile = 8 furlongs = 80 chains.
 1 furlong = 10 chains = 220 yards.
 1 chain = 4 rods = 22 yards = 66 feet = 100 links.
 1 link = 7.92 inches.

Square Measure

1 square mile = 640 acres = 6400 square chains.
 1 acre = 10 square chains = 4840 square yards = 43,560 square feet.
 1 square chain = 16 square rods = 484 square yards = 4356 square feet.
 1 square rod = 30.25 square yards = 272.25 square feet = 625 square links.
 1 square yard = 9 square feet.
 1 square foot = 144 square inches.
 An acre is equal to a square, the side of which is 208.7 feet.

Dry Measure

1 bushel (U.S. or Winchester struck bushel) = 1.2445 cubic foot = 2150.42 cubic inches.
 1 bushel = 4 pecks = 32 quarts = 64 pints.
 1 peck = 8 quarts = 16 pints.
 1 quart = 2 pints.
 1 heaped bushel = 1 1/4 struck bushel.
 1 cubic foot = 0.8036 struck bushel.
 1 British Imperial bushel = 8 Imperial gallons = 1.2837 cubic foot = 2218.19 cubic inches.

Liquid Measure

1 U.S. gallon = 0.1337 cubic foot = 231 cubic inches = 4 quarts = 8 pints.
 1 quart = 2 pints = 8 gills.
 1 pint = 4 gills.
 1 British Imperial gallon = 1.2003 U.S. gallon = 277.27 cubic inches.
 1 cubic foot = 7.48 U.S. gallons.

Circular and Angular Measure

60 seconds (") = 1 minute (')
 60 minutes = 1 degree (-)
 360 degrees = 1 circumference (C)
 57.3 degrees = 1 radian
 2 π radians = 1 circumference (C)

Specific Gravity

The specific gravity of a substance is its weight as compared with the weight of an equal bulk of pure water.
 For making specific gravity determinations the temperature of the water is usually taken at 62° F. when 1 cubic foot of water weighs 62.355 lbs. Water is at its greatest density at 39.20° F. or 4° Centigrade.

Temperature

The following equation will be found convenient for transforming temperature from one system to another:

Let F = degrees Fahrenheit; C = degrees Centigrade; R = degrees Reamur.

$$F - 32 = \frac{C}{9} \times \frac{5}{4}$$

180 100 80

Avoirdupois or Commercial Weight

1 gross or long ton = 2240 pounds.
 1 net or short ton = 2000 pounds.
 1 pound = 16 ounces = 7000 grains.
 1 ounce = 16 drams = 437.5 grains.

Measures of Pressure

1 pound per square inch = 144 pounds per square foot = 0.068 atmosphere = 2.042 inches of mercury at 62 degrees F. = 27.7 inches of water at 62 degrees F. = 2.31 feet of water at 62 degrees F.
 1 atmosphere = 30 inches of mercury at 62 degrees F. = 14.7 pounds per square inch = 2116.3 pounds per square foot = 33.95 feet of water at 62 degrees F.
 1 foot of water at 62 degrees F. = 62.355 pounds per square foot = 0.433 pound per square inch.
 1 inch of mercury at 62 degrees F. = 1.132 foot of water = 13.58 inches of water = 0.491 pound per square inch.
 Column of water 12 in. high, 1 in. dia. = .341 lbs.

Cubic Measure

1 cubic yard = 27 cubic feet.
 1 cubic foot = 1728 cubic inches.
 The following measures are also used for wood and masonry:
 1 cord of wood = 4 X 4 X 8 feet = 128 cubic feet.
 1 perch of masonry = 16-1/2 X 1-1/2 X 1 foot = 24-3/4 cubic feet.

Shipping Measure

For measuring entire internal capacity of a vessel: 1 register ton = 100 cubic feet.
 For measurement of cargo:
 1 U.S. shipping ton = 40 cubic feet = 32.143 U.S. bushels = 31.16 Imperial bushels.
 British shipping ton = 42 cubic feet = 33.75 U.S. bushels = 32.72 Imperial bushels.

Troy Weight, Used for Weighing Gold and Silver

1 pound = 12 ounces = 5760 grains.
 1 ounce = 20 pennyweights = 480 grains.
 1 pennyweight = 24 grains.
 1 carat (used in weighing diamonds) = 3.086 grains.
 1 grain Troy = 1 grain avoirdupois = 1 grain apothecaries' weight.

Measure Used for Diameters and Areas of Electric Wires

1 circular inch = area of circle 1 inch in diameter = 0.7854 square inch.
 1 circular inch = 1,000,000 circular mils.
 1 square inch = 1.2732 circular inch = 1,273,239 circular mils.
 A circular mil is the area of a circle 0.001 inch in diameter.

Board Measure

One foot board measure is a piece of wood 12 inches square by 1 inch thick, or 144 cubic inches. 1 cubic foot therefore equals 12 feet board measure

TABLE 29: Decimal and Millimeter Equivalents of Fractions

Inches		Milli- meters	Inches		Milli- meters	Inches		Milli- meters			
Fractions	Decimals		Fractions	Decimals		Fractions	Decimals				
1/64		.015625	.397								
	1/32	.03125	.794	23/64	11/32	.34375	8.7319	11/16	.6875	17.463	
3/64		.046875	1.191		3/8	.375	9.525	45/64	.703125	17.859	
	1/16	.0625	1.588	25/64		.390625	9.922	47/64	.734375	18.653	
5/64		.078125	1.984		13/32	.40625	10.319		3/4	.750	19.050
	3/32	.09375	2.381	27/64		4.21875	10.716	49/64	.765625	19.447	
7/64		.109375	2.778		7/16	4.375	11.113		25/32	.78125	19.844
	1/8	.125	3.175	29/64		4.53125	11.509	51/64	.796875	20.241	
9/64		.140625	3.582		15/32	.46875	11.906		13/16	.8125	20.638
	5/32	.15625	3.969	31/64		.48376	12.303	53/64	.828125	21.034	
11/64		.171875	4.366		1/2	.500	12.700		27/32	.84375	21.431
	3/16	.1875	4.763	33/64		.515625	13.097	55/64	.859375	21.828	
13/64		.203125	5.159		17/32	.53125	13.494		7/8	.875	22.225
	7/32	.21875	5.556	35/64		.546875	13.891	57/64	.890625	22.622	
15/64		.234375	5.953		9/16	.5625	14.288		29/32	.90524	23.019
	1/41	.250	6.350	37/64		.578125	14.684	59/64	.921875	23.416	
7/64		.265625	6.747		19/32	.59375	14.081		15/16	.9375	23.813
	9/32	.28125	7.144	39/64		.609375	15.478	61/64	.953125	24.209	
19/64		.296875	7.541		5/8	.625	15.875		31/32	.96875	24.606
	5/16	.3125	7.938	41/64		.60625	16.272	63/64	.984375	25.003	
21/64		.328125	8.334		21/32	.65625	16.669		1	1.000	25.400
				43/64		.671875	17.066				

Table 30: Millimeter-Inch Equivalents: 1" = 25.4mm (.03937" = 1mm)

Millimeter	Decimal	Millimeter	Decimal	Millimeter	Decimal	Millimeter	Decimal	Millimeter	Decimal
1	.03937	52	2.04724	103	4.05511	154	6.06299	205	8.07086
2	.07874	53	2.08661	104	4.09448	155	6.10236	206	8.11023
3	.11811	54	2.12598	105	4.13385	156	6.14173	207	8.14960
4	.15748	55	2.16535	106	4.17322	157	6.18110	208	8.18897
5	.19685	56	2.20472	107	4.21259	158	6.22047	209	8.22834
6	.23622	57	2.24409	108	4.25196	159	6.25984	210	8.26771
7	.27559	58	2.28346	109	4.29133	160	6.29921	211	8.30708
8	.31496	59	2.32283	110	4.33070	161	6.33858	212	8.34645
9	.35433	60	2.36220	111	4.37007	162	6.37795	213	8.38582
10	.39370	61	2.40157	112	4.40944	163	6.41732	214	8.42519
11	.43307	62	2.44094	113	4.44881	164	6.45669	215	8.46456
12	.47244	63	2.48031	114	4.48818	165	6.49606	216	8.50393
13	.51181	64	2.51968	115	4.52755	166	6.53543	217	8.54330
14	.55118	65	2.55905	116	4.56692	167	6.57480	218	8.58267
15	.59055	66	2.59842	117	4.60629	168	6.61417	219	8.62204
16	.62992	67	2.63779	118	4.64566	169	6.65354	220	8.66141
17	.66929	68	2.67716	119	4.68503	170	6.69291	221	8.70078
18	.70866	69	2.71653	120	4.72440	171	6.73228	222	8.74015
19	.74803	70	2.75590	121	4.76378	172	6.77165	223	8.77952
20	.78740	71	2.79527	122	4.80315	173	6.81102	224	8.81889
21	.82677	72	2.83464	123	4.84252	174	.685039	225	8.85826
22	.86614	73	2.87401	124	4.88189	175	6.88976	226	8.897.63
23	.90551	74	2.91338	125	4.92126	176	6.92913	227	8.93700
24	.94488	75	2.95275	126	4.96063	177	.696850	228	8.97637
25	.98425	76	2.99212	127	5.00000	178	7.00787	229	9.01574
26	1.02362	77	3.03149	128	5.03937	179	7.04724	230	9.05511
27	1.06299	78	3.07086	129	5.07875	180	7.08661	231	9.09448
28	1.10236	79	3.11023	130	5.11811	181	7.12598	232	9.13385
29	1.14173	80	3.14960	131	5.15749	182	7.16535	233	9.17322
30	1.18110	81	3.18897	132	5.19685	183	7.20472	234	9.21259
31	1.22047	82	3.22834	133	5.23622	184	7.24409	235	9.25196
32	1.25984	83	3.26771	134	5.27559	185	7.28346	236	9.29133
33	1.29921	84	.303708	135	5.31496	186	7.32283	237	9.33070
34	1.33858	85	3.34645	136	5.35433	187	7.36220	238	9.37007
35	1.37795	86	3.38582	137	5.39370	188	7.40157	239	9.40944
36	1.41732	87	.342519	138	.543307	189	7.44094	240	9.44881
37	1.45669	88	3.46456	139	.547244	190	7.48031	241	9.48818
38	1.49606	89	3.50393	140	5.51181	191	7.51968	242	9.52755
39	1.53543	90	3.54330	141	5.55118	192	7.55905	243	9.56692
40	1.57480	91	.358267	142	5.59055	193	7.59842	244	9.60629
41	1.61417	92	3.62204	143	5.62992	194	7.63779	245	9.64566
42	1.65354	93	3.66141	144	5.66929	195	7.67716	246	9.68503
43	1.69291	94	3.70078	145	5.70866	196	7.71653	247	9.72440
44	1.73228	95	3.74015	146	5.748.4	197	7.75590	248	9.76378
45	1.77165	96	3.77952	147	5.78740	198	7.79527	249	9.80315
46	1.81102	97	3.81899	148	5.82677	199	7.83464	250	9.84252
47	1.85039	98	3.85826	149	5.86614	200	7.87401	251	9.88189
48	1.88976	99	3.89763	150	5.90551	201	7.91338	252	9.92126
49	1.92913	100	3.93710	151	5.94488	202	7.95275	253	9.96063
50	1.96850	101	3.97637	152	5.98425	203	7.99221	254	10.00000
51	2.00787	102	4.01574	153	6.02362	204	8.03149	-	-

Plumber Blocks

Sleeve Bearings

SLEEVOIL

Take-Up Frames

Engineering

Part Number Index

Keyword Index

Metric System of Measurements

Measures of Length

10	millimeters (mm.)	=	1 centimeter (cm.)
10	centimeters	=	1 decimeter (dm.)
10	decimeters	=	1 meter (m.)
1000	meter	=	1 kilometer (km.)

Measure of Weight

10	milligrams (mg.)	=	1 centigram (cg.)
10	centigrams	=	1 decigram (dg.)
10	decigrams	=	1 gram (g.)
10	grams	=	1 decagram (Dg.)
10	decagrams	=	1 hectogram (Hg.)
10	hectograms	=	1 Kilogram (Kg.)
1000	kilograms	=	1 (metric) ton (T.)

Surveyor's Square Measure

100	square meters (m.2)	=	1 are (ar.)
100	acres	=	1 hectare (har.)
100	hectares	=	1 sq. kilometer (Km.2)

Square Measure

100	sq. millimeters (mm.2)	=	1 sq. centimeter (cm.2)
100	sq. centimeters	=	1 sq. decimeter (dm.2)
100	sq. decimeters	=	1 sq. meter (m.2)

Cubic Measure

1000	cu. millimeters (mm.3)	=	1 cu. centimeter (cm.3)
1000	cu. centimeters	=	1 cu. decimeter (dm.3)
1000	cu. decimeters	=	1 cu. meter (m.3)

Dry and Liquid Measure

10	milliliters (ml.)	=	1 centiliter (cl.)
10	centiliters	=	1 deciliter (dl.)
10	deciliters	=	1 liter (l.)
100	liters	=	1 hectoliter (hl.)

1 liter = 1 cubic decimeter = the volume of 1 kilogram of pure water at a temperature of 39.2 degrees F.

Metric System of Measurements (Continued)

Length Conversion Constants for Metric and U.S. Units

Millimeters X.039370 = inches.
 Meters x 39.370 = inches.
 Meters X 3.2808 = feet.
 Meters X 1.09361 = yards.
 Kilometers X 3,280.8 = feet.
 Kilometers X.62137 = Statute Miles.
 Kilometers x.53959 = Nautical Miles.

Inches X 25.4001 = millimeters.
 Inches X.0254 = meters.
 Feet x.30480 = meters.
 Yards X.91440 = meters.
 Feet x.0003048 = kilometers.
 Statute Miles X 1.60935 = kilometers.
 Nautical Miles x 1.85325 = kilometers.

Weight Conversion Constants for Metric and U.S. Units

Grams X 981 = dynes.
 Grams X 15.432 = grains.
 Grams X.03527 = ounces (Avd.).
 Grams x.033818 = fluid ounces (water).
 Kilograms X 35.27 = ounces (Avd.).
 Kilograms X 2.20462 = pounds (Avd.).
 Metric Tons (1000 Kg.) X 1.10231 = Net Ton (2000 lbs.).
 Metric Tons (1000 Kg.) X.98421 = Gross Ton (2240 lbs.).

Dynes X.0010193 = grams.
 Grains X.0648 = grams.
 Ounces (Avd.) X 28.35 = grams.
 Fluid Ounces (Water) X 29.57 = grams.
 Ounces (Avd.) X.02835 = kilograms.
 Pounds (Avd.) X.45359 = kilograms.
 Net Ton (2000 lbs.) X.90719 = Metric Tons (1000 Kg.).
 Gross Ton (2240 lbs.) X 1.01605 = Metric Tons (1000 Kg.).

Area Conversion Constants for Metric and U.S. Units

Square Millimeters X.00155 = square inches.
 Square centimeters X.155 = square inches.
 Square Meters X 10.76387 = square feet.
 Square Meters X 1.19599 = square yards.
 Hectares X 2.47104 = acres.
 Square Kilometers X 247.104 = acres.
 Square Kilometers X.3861 = square miles.

Square Inches X 645.163 = square millimeters.
 Square Inches x 6.45163 = square centimeters.
 Square Feet x.0929 = square meters.
 Square Yards X.83613 = square meters.
 Acres X.40469 = hectares.
 Acres X.0040469 = square kilometers.
 Square Miles X 2.5899 = square kilometers.

Volume Conversion Constants for Metric and U.S. Units

Cubic centimeters X.033818 = fluid ounces.
 Cubic centimeters X.061023 = cubic inches.
 Cubic centimeters X.271 = fluid drams.
 Liters X 61.023 = cubic inches.
 Liters X 1.05668 = quarts.
 Liters X .26417 = gallons.
 Liters X.035317 = cubic feet.
 Hectoliters X 26.417 = gallons.
 Hectoliters X 3.5317 = cubic feet.
 Hectoliters X 2.83794 = bushel (2150.42 cu. in.).
 Hectoliters X.1308 = cubic yards.
 Cubic Meters x 264.17 = gallons.
 Cubic Meters x 35.317 = cubic feet.
 Cubic Meters X 1.308 = cubic yards.

Fluid Ounces X 29.57 = cubic centimeters.
 Cubic Inches X 16.387 = cubic centimeters.
 Fluid Drams x 3.69 = cubic centimeters.
 Cubic Inches X.016387 = liters.
 Quarts x.94636 = liters.
 Gallons x 3.78543 = liters.
 Cubic Feet x 28.316 = liters.
 Gallons x.0378543 = hectoliters.
 Cubic Feet x.28316 = hectoliters.
 Bushels (2150.42 cu. in.) X.352379 = hectoliters.
 Cubic Yards x 7.645 = hectoliters.
 Gallons x.00378543 = cubic meters.
 Cubic Feet x.028316 = cubic meters.
 Cubic Yards x.7645 = cubic meters.

Power and Heat Conversion Constants for Metric and U.S. Units

Calorie x 0.003968 = B.T.U.
 Joules X.7373 = pound-feet.
 Newton-Meters X 8.851 = pound-inches
 Cheval Vapeur X.9863 = Horsepower.
 Kilowatts X 1.34 = Horsepower.
 Kilowatt Hours X 3415 = B.T.U.
 (Degrees Cent. X 1.8) +32 = degrees Fahr.
 (Degrees Reamur X 2.25) + 32 = degrees Fahr.

B.T.U. X 252 = calories.
 Pound-Feet X 1.3563 = joules.
 Pound-inches X.11298 = Newton-meters.
 Horsepower X 1.014 = Cheval Vapeur.
 Horsepower X.746 = kilowatts.
 B.T.U. X.00029282 = kilowatt hours.
 (Degrees Fahr. - 32) x.555 = degrees Cent.
 (Degrees Fahr. - 32) x.444 = degrees Reamur.

COMMON CONVERSION FACTORS USEFUL IN MECHANICAL POWER TRANSMISSION

Symbols and Abbreviations Used in Conversion Factors

Symbols and abbreviations found in this section are those currently used in many texts and product publications. Considerable effort is underway to standardize on abbreviations for metric and English units of measurement. Recently, ASTM (American Society for Testing and Materials) and IEEE (Institute of Electrical and Electronic Engineers) published a standard practice on the metric system. † This publication consolidates a great deal of the current thinking and provides a system of abbreviations and symbols that differ somewhat from those used here.

This Handbook has retained use of familiar abbreviations consistent with existing product and trade literature rather than the abbreviations found in current publications of technical and scientific societies.

Prefixes Used in the Metric System

Common prefixes and symbols used in the metric system are listed below. An example of use is 1000 meters is equivalent to 1 kilometer, and 1/1000 of one meter is equivalent to 1 millimeter.

Prefix	Symbol	Multiplication Factor-Decimal and Power of 10
exa	E	1,000,000,000,000,000,000 or 10^{18} or one quintillion
peta	P	1,000,000,000,000,000 or 10^{15} or one quadrillion
tera	T	1,000,000,000,000 or 10^{12} or one trillion
giga	G	1,000,000,000 or 10^9 or one billion
mega	M	1,000,000 or 10^6 or one million
kilo	k	1,000 or 10^3 or one thousand
*hecto	h	100 or 10^2 or one hundred
*deka	da	10 or 10^1 or ten
**deci	d	0.1 or 10^{-1} or one tenth
**centi	c	0.01 or 10^{-2} or one hundredth
mill	m	0.001 or 10^{-3} or one thousandth
micro	μ	0.000,001 or 10^{-6} or one millionth
nano	n	0.000,000,001 or 10^{-9} or one billionth
pico	p	0.000,000,000,001 or 10^{-12} or one trillionth
femto	f	0.000,000,000,000,001 or 10^{-15} or one quadrillionth
atto	a	0.000,000,000,000,000,001 or 10^{-18} or one quintillionth
* Not commonly used.		
** Not commonly used except for special situations.		
The centimeter as a unit of length is in common use.		
The decibel is a unit in both electrical and acoustical work.		

† ASTM/IEEE Standard Metric Practice, ASTM E 380-75, IEEE Std. 268-1976.
"Reprinted with Permission of the Power Transmission Distributors Association"

ENGINEERING

Symbol or Abbreviation	Term
atm	atmosphere
avdp	avoirdupois
bbl	barrels
bu	bushels
C	degrees Centigrade or Celsius
cc	cubic centimeters
cfm	cubic feet per minute
cfs	cubic feet per second
cm	centimeter
cu	cubic
deg	degrees
F	degrees Fahrenheit
fps	feet per second
ft	feet
ft-lb	foot-pounds (work or energy)
ft per sec	feet per second (alternate)
ft per sec ²	feet per second per second
g	acceleration due to gravity
g	grams
gal	gallons
gpm	gallons per minute
hp	horsepower
hr	hour
in	inches
in-lb	inch-pounds (work or energy)
K	degrees Kelvin
kg	kilograms
km	kilometers
kn	knots
kW	kilowatts

Symbol or Abbreviation	Term
l	liters
lb	pounds
lb-ft	pound-feet (torque)
m	meters
m per sec ²	meters per second per second
mi	miles
mm	millimeters
mph	miles per hour
MGD	millions of gallons per day
N	Newtons
oz	ounces
oz-in	ounce-inches (torque)
Pa	Pascals
psi	pounds per square inch
psia or psig	pounds per square inch "absolute" or gauge
pt	pint
qt	quart
R	degrees Rankine (Fahrenheit, absolute)
rad	radians
rev	revolutions
rpm	revolutions per minute
sec	seconds
sq	square
std	standard
temp	temperature
wt	weight
yd	yard
yr	year

Rounding of Numbers

A minimum of four significant figures are used in conversion factors presented here. Where the conversion factor is exact (for example, 1 foot contains 12 inches), decimal fractions are not necessary. Also, where large whole numbers are used (for example, 1 square kilometer contains 1195990 square yards), decimal fractions are not used unless justified by the accuracy of ordinary computations.

1195990	(sq yd in a sq km)
4389.12	(cc in a cu ft)
448.86	(gpm in a liter per sec)
14.70	(psi in an atmosphere)
0.4331	(psi in a ft of water)
0.0625	(lb-in in an oz-in)

ENGINEERING

VELOCITY

centimeters per second (cm per sec)	feet per second (fps or ft per sec)	0.3281
feet per second (fps)	centimeters per second (cm per sec)	30.48
	meters per second (m per sec)	0.3048
	kilometers per hour (km per hr)	1.097
	miles per hour (mph)	0.6818
kilometers per hour (km per hr)	knots (kn)	0.5396
	feet per second (fps)	1.467
	kilometers per hour (km per hr)	1.609
	feet per minute (ft per min.)	88
knots (kn)	miles per hour (mph)	1.152
	kilometers per hour (km per hr)	1.853
radians per second (rad per sec)	revolutions per minute (rpm)	9.55
	degrees per minute (deg per min.)	3437.7
revolutions per minute (rpm)	radians per second (rad per sec)	0.1047
	degrees per minute (deg per min.)	360

ACCELERATION COLUMN A

To Convert From...	To...	Multiply Col. A by
feet per second per second (ft per sec ²)	meters per second per second (m per sec ²)	0.3048
m per sec ²	ft per sec ²	3.281
revolutions per minute per second (rpm per sec)	radians per second per second (rad per sec ²)	0.1047
rad per sec ²	rpm per sec.	9.55

Plumber Blocks

Sleeve Bearings

SLEEVOIL

Take-Up Frames

Engineering

Part Number Index

Keyword Index

ENGINEERING

VOLUMETRIC FLOW RATES

gallons per minute, US (gpm)	liters per second (l per sec)	0.008434
	cubic feet per minute (cfm)	0.1337
	cubic feet per hour (cu ft per hr)	8.022
gallons per minute, UK or Canadian (gpm)	liters per second (l per sec)	0.0101
	cubic feet per minute (cfm)	0.1606
	cubic feet per hour (cu ft per hr)	9.634
cubic feet per second (cfs)	gpm (UK or Canadian)	373.77
	gpm (US)	448.86
	liters per second (l per sec)	1699.2
liters per second (l per sec)	cubic feet per minute (cfm)	2.119
	gpm (UK or Canadian)	13.20
	gpm (US)	15.85
millions of gallons per day, US (MGD)	liters per second (l per sec)	43.81
	cubic feet per minute (cfm)	92.85
	gallons per minute, US (gpm)	694.44

PRESSURE

pascals (Pa)	pounds per square inch (psi)	0.0001450
	pounds per square foot (lb per ft ²)	0.02089
	newtons per square meter	1
pounds per square inch (psi)	atmospheres, std. (atm)	0.0680
	pounds per square foot (lb per ft ²)	144
	pascals (Pa)	6894.8
	foot of water (ft of H ₂ O) 60F	2.301
atmospheres (atm), standard	psi	14.70
	lb per ft ²	2116.8
	Pa	101325
inch of water, 60F (in of H ₂ O)	psi	0.03609
	lb per ft ²	5.197
	Pa	248.84
foot of water, 60F (ft of H ₂ O)	psi	0.4331
	lb per ft ²	62.36
	Pa	2985.9

WEIGHT, MASS, INERTIA

pounds (lb)*	kilograms (kg)	0.4536
	ounces (oz)	16
kilograms (kg)	pounds (lb)	2.205
	ounces (oz)	35.27

ENGINEERING

WEIGHT, MASS, INERTIA, (Continued)

COLUMN A

Convert From	To	Multiply Col A By This Factor
tons (short)	metric tons	0.9072
	kilograms (kg)	907.2
	pounds (lb)	2000
metric tons	tons (short)	1.102
	kilograms	1000
	pounds	2205
pounds, weight (lb)	slugs, mass (lb-sec ² per ft)	0.03106
pound-foot ² (lb-ft ²)	kilogram-meters ² (kg-m ²)	0.04214

*pounds and ounces are avoirdupois

FORCE AND TORQUE

pounds (lb)	newtons(N)	4.448
newtons (N)	pounds (lb)	0.2248
newton-meters (N-m)	pound-feet (lb-ft)	0.7376
	pound-inches (lb-in)	8.851
	ounce-inches (oz-in)	141.60
ounce-inches (oz-in)	lb-ft	0.005208
	N-m	0.007062
	lb-in	0.0625
pound-inches (lb-in)	lb-ft	0.0833
	N-m	0.1298
	oz-in	16
pound-feet (lb-ft)	N-m	1.356
	lb-in	12
	oz-in	192

POWER

horsepower (hp)	kilowatts (kW)	0.7457
	foot-pounds per second (ft-lb per sec)	550
	foot-pounds per minute (ft-lb per min.)	33000
kilowatts (kW)	horsepower (hp)	1.341

TEMPERATURE

		Use This Relationship
degrees Fahrenheit (F)	degrees Celsius (C)	$C = 5/9 (F - 32)$
degrees Celsius (C)	degrees Fahrenheit (F)	$F = 9/5C + 32$
degrees Fahrenheit (F)	degrees Rankine (R)	$R = F + 459.69$
degrees Celsius (C)	degrees Kelvin (K)	$K = C + 273.16$

Examples:

- Convert 12F to C. $C = 5/9 (F - 32) = 5/9 (12 - 32) = 5/9 (-20)$
Answer = -11.1C
- Convert 40C to F. $F = 9/5C + 32 = 9/5 (40) + 32 = 72 + 32$
Answer = 104F

GRAVITATIONAL CONSTANT

g = 32.174 feet per second per second (ft per sec²)
 = 9.8067 meters per second per second (m per sec²)

APPROXIMATE DENSITIES OF COMMON MATERIALS

	REPRESENTATIVE DENSITIES	
	Grams per cc	lb per cu ft
GASES @ 68F, std atm		
Air	1.30 grams per liter	0.07528
Oxygen	1.45 grams per liter	0.08305
Hydrogen	0.09 grams per liter	0.005234
Nitrogen	1.25 grams per liter	0.07274
	All Other Materials	
	grams per cc	
LIQUIDS		
Water @ 4C	1.000 grams per cc	62.43
20C	0.998	62.32
40C	0.992	61.94
SeaWater	1.02-1.03	64.00
Ethyl alcohol 100%	0.789	49.2
Kerosene	0.78-0.82	50
Gasoline	0.70-0.75	45
METALS		
Aluminum (95% Al)	2.70	169
Bronze (90% Cu, 10% Zn)	8.80	549
Copper (Annealed, ACS)	8.89	555
Gold	19.32	1206
Iron, gray cast	7.10	443
Lead	11.36	709
Magnesium	1.74	109
Steel (0.4-0.5% Carbon)	7.80	487
Steel, 410 stainless	7.70	480
ENGINEERING PLASTICS		
ABS, general purpose	1.01-1.05	64
Acrylics, cast sheet	1.19	74
Nylon 6/6	1.13-1.15	71
Phenolic, general purpose	1.35-1.46	87
Polycarbonates, general purpose	1.2	75
Polyesters, thermoplastic, unreinforced	1.31 - 1.43	86
Polyethylene, medium density	0.926-0.940	58
Polyvinyl Chloride	1.30-1.58	89

Flywheel Formulas

Flywheels are used on some machines, for example air compressors, to even out load pulsations. The following formulas are useful in designing entire flywheels and flywheel rims. A V-belt sheave may also be used as a flywheel eliminating the need for a separate flywheel in the system.

Formulas for Entire Flywheel

Kinetic energy of rotation of a flywheel (foot pounds)
 $= .0001705 N^2(WR^2)^*$.

Torque to uniformly accelerate or decelerate a flywheel

$$= \frac{.03908 (N_2 - N_1) (WR^2), * \text{ pound-inches}}{t}$$

where N_2 = final R.P.M. and N_1 = initial R.P.M.

Velocity at outside diameter (feet per minute) = $0.2618 ND$.

W = weight (pounds).

R = radius of gyration (feet).

N = speed (R.P.M.)

t = time to change from N_1 to N_2 (seconds).

F = face of rim (inches).

D = outside diameter of rim (inches).

d = inside diameter of rim (inches).

K = weight per cubic inch of material (pounds).

* WR^2 = flywheel effect (pounds X feet²). See table to the right for WR^2 of rims. Ordinarily the WR^2 of the rim only is considered. In unusual instances the relatively small WR^2 values of the hub

and arms or web can be added directly to the WR^2 of the rim if desired. To find the WR^2 of a hub or web use the WR^2 formula for rims, substituting the hub or web outside diameter, inside diameter, and width for D, d and F respectively. When arms are used instead of a web an approximate WR^2 value of the arms is the total weight of the arms in pounds times the square of the radius in feet from the shaft center line to the mid point of the arms between hub and rim.

Table 31: Formulas for Flywheel Rims

Property	Cast Iron Rim (Based on .26 lbs. per cu. in.)	Steel Rim (Based on .283 lbs. per cu. in.)	Rim of any material weighing K pounds per cubic inch
Volume (Cubic Inches)	$.7854F(D^2-d^2)$	$.7854F(D^2-d^2)$	$.7854F(D^2-d^2)$
W Weight (Pounds)	$.2042F(D^2-d^2)$	$.2223F(D^2-d^2)$	$.7854FK(D^2-d^2)$
R Radius of Gyration (Feet)	$\sqrt{\frac{.8681 (D^2-d^2)}{1000}}$	$\sqrt{\frac{0.8681 (D^2-d^2)}{1000}}$	$\sqrt{\frac{.8681 (D^2-d^2)}{1000}}$
WR^2 Wt X Sq. of Radius of Gyration (Lbs. X Ft. ²)	$\frac{.1773F(D^4-d^4)}{1000}$	$\frac{.1929F(D^4-d^4)}{1000}$	$\frac{.6818FK(D^4-d^4)}{1000}$
T ▲ Tensile Load in rim (Lbs.)	$\frac{.3078FN2(D^3-d^3)}{1000000}$	$\frac{.3350FN2(D^3-d^3)}{1000000}$	$\frac{1,184FKN2(D^3-d^3)}{1000000}$

▲ Centrifugal force causes this tensile load at each and every section of the rim. Hence, on rims split into two or more sections the fastening at each joint should be designed to take the full load as calculated from the formula here given.

Centrifugal Force

R = Distance from the axis of rotation to the center of gravity of the body (feet).

N = Revolutions per minute.

v = Velocity of the center of gravity of the body (feet per second).

g = Acceleration due to gravity (32.16 commonly).

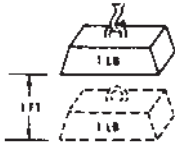
$$F = \frac{Wv^2}{gR} = \frac{WRN^2}{2933} = .000341 WRN^2$$

F = Centrifugal force tending to move the body outward from the axis of rotation (pounds).

W = Weight of body (pounds).

ENGINEERING

Torque and Horsepower Equivalents

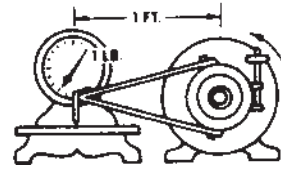


A foot-pound is the amount of energy expended in lifting a one-pound mass a distance of one foot against the pull of gravity

FOOT-POUNDS INDICATE ENERGY

TORQUE

It is: a turning moment or twisting effort.
Is it expressed in foot-pounds? or pound-feet?



A pound-foot is the moment created by a force of one pound applied to the end of a lever arm one

POUND-FEET INDICATE TORQUE

$$\begin{aligned} \text{Torque (in Pound-Inches)} &= \frac{63025 \times \text{HP}}{\text{RPM}} \\ &= \text{Force} \times \text{Lever Arm (In Inches)} \\ \text{Torque (in Pound-Feet)} &= \frac{5252 \times \text{HP}}{\text{RPM}} \\ &= \text{Force} \times \text{Lever Arm (In Feet)} \end{aligned}$$

Example:

$$\begin{aligned} 25 \text{ HP at } 150 \text{ RPM} &= 10504 \text{ Pound-Inches Torque} \\ 2.5 \text{ HP at } 150 \text{ RPM} &= 1050.4 \text{ Pound-Inches Torque} \end{aligned}$$

For other values of RPM move decimal point in RPM values to the left or right as desired, and in Torque values move to the right or left (opposite way) the same number of places.

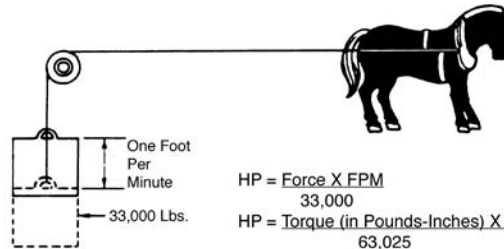
Example:

$$\begin{aligned} 25 \text{ HP at } 150 \text{ RPM} &= 10504 \text{ Pound-Inches Torque} \\ 25 \text{ HP at } 1.50 \text{ RPM} &= 1050400 \text{ Pound-Inches Torque} \\ 2.5 \text{ HP at } 1.50 \text{ RPM} &= 105040 \text{ Pound-Inches Torque} \end{aligned}$$

Force = Working Load in Pounds.
FPM = Feet Per Minute.
RPM = Revolutions Per Minute.
Lever Arm = Distance from the Force to the center of rotation in Inches or Feet.

HORSEPOWER

Common Unit of Mechanical power - (HP)
One HP is the rate of work required to raise 33,000 pounds one foot in one minute



$$\begin{aligned} \text{HP} &= \frac{\text{Force} \times \text{FPM}}{33,000} \\ \text{HP} &= \frac{\text{Torque (in Pounds-Inches)} \times \text{RPM}}{63,025} \\ \text{HP} &= \frac{\text{Torque (in Pounds-Feet)} \times \text{RPM}}{5,252} \end{aligned}$$

Overhung Loads

An overhung load is a bending force imposed on a shaft due to the torque transmitted by V-drives, chain drives and other power transmission devices, other than flexible couplings.

Most motor and reducer manufacturers list the maximum values allowable for overhung loads. It is desirable that these figures be compared with the load actually imposed by the connected drive.

Overhung loads may be calculated as follows:

$$\text{O.H.L.} = \frac{63,000 \times \text{HP} \times \text{F}}{\text{N} \times \text{R}}$$

Where HP = Transmitted hp X service factor
N = RPM of shaft
R = Radius of sprocket, pulley, etc. (inches)
F = Factor (See chart to right)

Weights of the drive components are usually negligible. The formula is based on the assumption that the load is applied at a point equal to one shaft diameter from the bearing face. Factor F depends on the type of drive used:

$$F = \begin{cases} 1.00 & \text{for single chain drives.} \\ 1.3 & \text{for TIMING Belt Drives and Sync belt Drives.} \\ 1.25 & \text{for spur or helical gear or double chain drives.} \\ 1.50 & \text{for V-belt drives.} \\ 2.50 & \text{for flat belt drives.} \end{cases}$$

Example: Find the overhung load imposed on a reducer by a double chain drive transmitting 7 hp @ 30 RPM. The pitch diameter of the sprocket is 10"; service factor is 1.3.

Solution:

$$\text{O.H.L.} = \frac{(63,000) (7 \times 1.3) (1.25)}{(30) (5)} = 4,780 \text{ lbs.}$$

Mathematical Equations

To find circumference of a circle, multiply diameter by 3.1416.
To find diameter of a circle, multiply circumference by .31831.
To find area of a circle, multiply square of diameter by .7854.
To find area of a rectangle, multiply length by breadth.
To find area of a triangle, multiply base by 1/2 perpendicular height.
To find area of ellipse, multiply product of both diameters by .7854.
To find area of parallelogram, multiply base by altitude.
To find side of an inscribed square, multiply diameter by 0.7071 or multiply circumference by 0.2251 or divide circumference by 4.4428.

To find side of inscribed cube, multiply radius of sphere by 1.1547.
To find side of an equal square, multiply diameter by .8862.
To find the surface of a sphere, square the diameter and multiply by 3.1416.
To find the volume of a sphere, cube the diameter and multiply by .5236.
A side of a square multiplied by 1.4142 equals diameter of its circumscribing circle.
A side of a square multiplied by 4.443 equals circumference of its circumscribing circle.

Table 32: Strength and Physical Properties of Various Metals

Metals and Alloys	Stress in Thousands of Pounds per Sq. Inch				Modulus of Elasticity Millions	Elongation%
	Tension Ultimate	Tension Yield Point	Compression Ultimate	Shear Ultimate		
Aluminum, Type 1100.0, Annealed	13	5	9	10	45
Aluminum, Type 1100-H18, Hard	24	22	13	10	15
Aluminum, Type 3003-0, Annealed	16	6	11	10	40
Aluminum, Type 3003-H18, Hard	29	27	16	10	10
Aluminum, Type 5052-0, Annealed	28	13	18	10.20	30
Aluminum, Type 5052-H38, Hard	42	37	24	10.20	8
Aluminum, Type 5056-0, Annealed	42	22	26	10.30	35
Aluminum, Type 2014-0, Annealed	27	14	18	10.60	18
Aluminum, Type 2014-T4, Heat Treated	62	42	38	10.60	20
Aluminum, Type C4A, Casting. Solution Heat Treat	32	16	16▲	24	8.50
Aluminum, Type S5C, As Die Cast	30	16	16▲	19	9
Brass, Admiralty, Annealed	53	22	16	65
Brass, Aluminum, Annealed	60	27	16	55
Brass, Cartridge, 30% Zn, Annealed	44	11	32	16	66
Brass, Cartridge, 30% Zn, Hard	76	63	44	16	8
Brass, Naval, Annealed	57†	25†	40 †	15	47†
Brass, Naval, Leaded, Annealed	57†	25†	36 †	15	40†
Brass, Red, 15% Zn, Annealed	39	10	31	17	48
Brass, Red, 15% Zn, Hard	70	57	42	17	5
Brass, Red, Leaded, Cast, Grade 4A	33-46	17-24	10-12▲	9.1-14.8	20-35
Brass, Red, Leaded, Cast, Grade 4B	30-38	12-17	11-12▲	15-27
Brass, Semi-Red, Leaded, Cast, Grade 5A	29-39	13-17	7.7-14.3	18-30
Brass, Semi-Red, Leaded, Cast, Grade 5B	30-40	12-16	8-10▲	10-14	20-35
Brass, Yellow, 35% Zn, Annealed	46	14	32	15	65
Brass, Yellow, 35% Zn, Hard	74	60	43	15	8
Bronze, Aluminum, As Cast	67-95	27-45	15-18	5-35
Bronze, Commercial, 10% Zn, Annealed	37†	10†	28 †	17	45=
Bronze, Manganese, Annealed	65†	30†	42 v	15	33=
Bronze, Phosphor, Annealed	40-66	14-24	16-17	48-70
Bronze, Tin, High Leaded, Cast	23-38	11-22	12-16▲	8.5-13	7-20
Bronze, Tin, Leaded, Cast	33-48	16-26	9-15▲	10.6-16	15-40
Copper, Beryllium, Annealed	60-80	25-35v	50-60 †	19	35-50†
Copper, Electrolytic, Tough Pitch, Annealed	32†	10†	22 †	17	45†
Inconel, Cast	65-90	23	10-20
Inconel, S, Cast	90-120	80-100	25	1-3
Inconel, Shapes, Plate, Etc., Annealed	80-100†	30-45†	31	35-55†
Inconel, X, Shapes, Plate, Etc., Annealed	110-130†	45-65†	31	40-55†
Iron, Cast, Class 30	30-34	115	44	15
Iron, Cast, Class 35	35-40	125	43	16
Iron, Ingot, Hot Rolled	44	23	29.80	47
Iron, Malleable, Class 32510	50	33	90	46	25	10-18
Iron, Malleable, Class 35018	55	37	90	51	25	18-25
Iron, Nodular (Ductile) Class 60-45-10	60	45	120	22-25	10-25
Iron, Nodular (Ductile) Class 80-60-3	80	60	160	22-25	3-10
Iron, Pearlitic, Malleable	60-90	40-70	28	3-12
Iron, Wrought, Hot Rolled	34-47	23-24	29	7-35
Lead, Hard, Rolled	4.0-4.6	31-48
Magnesium Alloy, Extruded, ASTM MIA	26-28	23-28	10-13	16	6.50	8-11
Magnesium Alloy, Extruded, ASTM AZ61A-F	40-45	22-32	15-21	21	6.50	15-16
Magnesium Alloy, Cast, ASTM MIB	14	4.50	11	6.50	5
Magnesium Alloy, Cast, ASTM AZ92A	24	14	19	6.50	2
Magnesium Alloy, Cast, ASTM AZ91A	36	23	20	6.50	4

Table 32: Strength and Physical Properties of Various Metals

Metals and Alloys	Stress in Thousands of Pounds per Sq. Inch				Modulus of Elasticity Millions	Elongation%
	Tension Ultimate	Tension Yield Point	Compression Ultimate	Shear Ultimate		
Monel, Cast	65-90	32-45	23	20-50
Monel, S, Cast	120-145	80-130	24.20	1-4
Monel, Shapes, Plate, Etc., Annealed	70-85†	25-45†	26	35-50†
Monel, K, Shapes, Plate, Etc., Annealed	90-105†	40-65†	26	25-45	35-55†
Muntz Metal, Cu 59.63%, Zn balance	54	21	40	15	45
Nickel, Cast	50-65	15-30	21.50	15-30
Nickel, Silver, Annealed	49-63†	18-30†	17-18	35-60†
Steel, Cast Carbon, Class 70,000 Normalized	70	38	30	28
Steel, Cast Low Alloy, Class 100,000, Normalized and Tempered	100	68	29-30	20
Steel, Cast Low Alloy, Class 120,000, Quenched and Tempered	120	95	29-30	16
Steel, Cast Low Alloy, Class 200,000, Quenched and Tempered	200	170	29-30	5
Steel, Sheets	48	25	29-30	18-27
Steel, Stainless, Austenitic, Types 304, 316	85	35	28	55-60
Steel, Stainless, Martensitic, Type 416	75	40	29	30
Steel, Structural, Bridge and Building, ASTM A7	60-72	33	33▲	45-54	29-30	21
Steel, Structural, High Strength, Low Alloy, ASTM A242	63-70	42-50	42-50▲	47-53	29-30	18-24
Zinc, Die Cast Alloy XXIII	41	60▲	31	10

† When hardened, strength values are higher, elongation less

▲ Compression yield point

Table 33: Properties of Sections

A = area

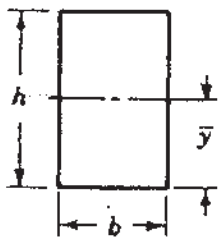
I = moment of inertia

J = polar moment of inertia

 Z = section modulus π

k = radius of gyration

y = centroidal distance

Rectangle


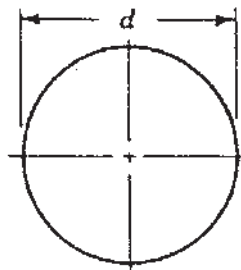
$$A = bh$$

$$k = 0.289h$$

$$I = \frac{bh^3}{12}$$

$$\bar{y} = \frac{h}{2}$$

$$Z = \frac{bh^2}{6}$$

Circle


$$A = \frac{\pi d^2}{4}$$

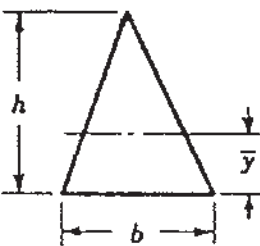
$$J = \frac{\pi d^4}{32}$$

$$I = \frac{\pi d^4}{64}$$

$$k = \frac{d}{4}$$

$$Z = \frac{\pi d^3}{32}$$

$$\bar{y} = \frac{d}{2}$$

Triangle


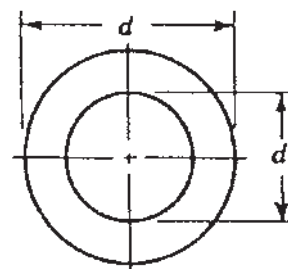
$$A = \frac{bh}{2}$$

$$k = 0.236h$$

$$I = \frac{bh^3}{36}$$

$$\bar{y} = \frac{h}{3}$$

$$Z = \frac{bh^2}{24}$$

Hollow Circle


$$A = \frac{\pi d}{4} (d^2 - d_i^2) \quad J = \frac{\pi}{32} (d^4 - d_i^4)$$

$$I = \frac{\pi}{64} (d^4 - d_i^4) \quad k = \sqrt{\frac{d^2 - d_i^2}{16}}$$

$$Z = \frac{\pi}{32d} (d^4 - d_i^4) \quad \bar{y} = \frac{d}{2}$$

Table 34: Coefficients of Friction "f"

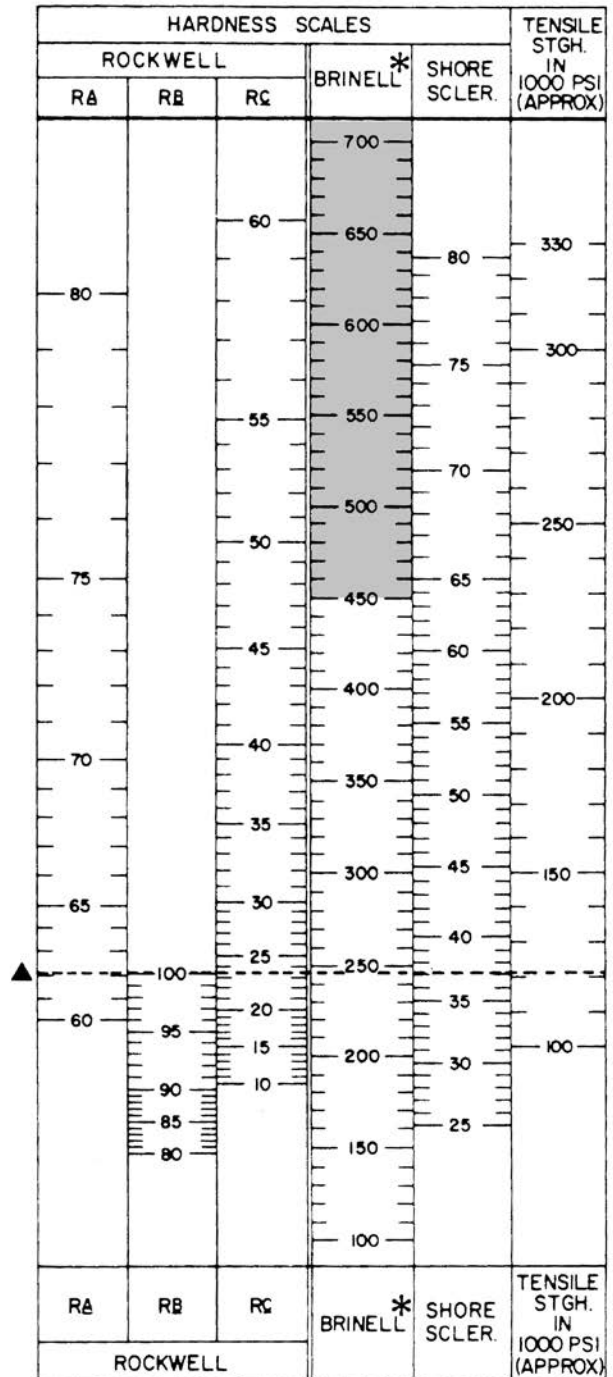
Material	Static		Sliding	
	Dry	Lubricated	Dry	Lubricated
Aluminum on aluminum	1.35
Canvas belt on rubber lagging	0.30
Canvas belt, stitched, on steel	0.20	0.10
Canvas belt, woven, on steel	0.22	0.10
Cast iron on asbestos, fabric
brake material	0.35-0.40
Cast iron on brass	0.30
Cast iron on bronze	0.22	0.07-0.08
Cast iron on cast iron	1.10	0.15	0.06-0.10
Cast iron on copper	1.05	0.29
Cast iron on lead	0.43
Cast iron on leather	0.60	0.13-0.36
Cast iron on oak (parallel)	0.30-0.50	0.07-0.20
Cast iron on magnesium	0.25
Cast iron on steel, mild	0.18	0.23	1/0/00 3:11
Cast iron on tin	0.32
Cast iron on zinc	0.85	0.21
Earth on earth	0.25-1.0
Glass on glass	0.94	0.40
Hemp rope on wood	0.50-0.80	0.40-0.70
Nickel on nickel	1.10	0.53	0.12
Oak on leather (parallel)	0.50-0.60	0.30-0.50
Oak on oak (parallel)	0.62	0.48	0.16
Oak on oak (perpendicular)	0.54	0.32	0.07
Rubber tire on pavement	0.8-0.9	0.6-0.7 *	0.75-0.85	0.5-0.7*
Steel on ice	0.03	0.01
Steel, hard, on babbitt	0.42-0.70	0.08-0.25	0.33-0.35	0.05-0.16
Steel, hard, on steel, hard	0.78	0.11-0.23	0.42	0.03-0.12
Steel, mild, on aluminum	0.61	0.47
Steel, mild, on brass	0.51	0.44
Steel, mild, on bronze	0.34	0.17
Steel, mild, on copper	0.53	0.36	0.18
Steel, mild, on steel, mild	0.74	0.57	0.09-0.19
Stone masonry on concrete	0.76
Stone masonry on ground	0.65
Wrought iron on bronze	0.19	0.07-0.08	0.18
Wrought iron on wrought iron	0.11	0.44	0.08-0.10

* Wet pavement

Table 35: U.S. Standard Sheet Metal Gages

Gage No.	Thickness in Decimal Parts of an Inch	Gage No.	Thickness in Decimal Parts of an Inch
1	.2813	20	.0359
2	.2656	21	.0329
3	.2391	22	.0299
4	.2242	23	.0269
5	.2092	24	.0239
6	.1943	25	.0209
7	.1793	26	.0179
8	.1644	27	.0164
9	.1495	28	.0149
10	.1345	29	.0135
11	.1196	30	.0120
12	.1046	31	.0109
13	.0897	32	.0102
14	.0747	33	.0094
15	.0673	34	.0086
16	.0598	35	.0078
17	.0538	36	.0070
18	.0478	37	.0066
19	.0418	38	.0063

Hardness Comparison Chart



* Shaded area indicates values may vary depending on type of ball used.

▲ Example: A Brinell number of 245 is equal to 62 Rockwell "A", 100 Rockwell "B", 23 Rockwell "C", 37 Shore with a tensile of approximately 120,000 psi.

Trigonometric Formula

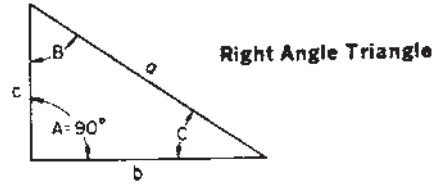
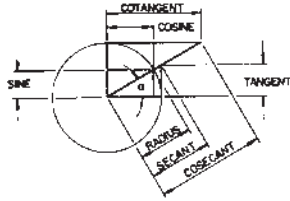


Table 36: Formulas for Finding Functions of Angles

$\frac{\text{Side opposite}}{\text{Hypotenuse}}$	= SINE
$\frac{\text{Side adjacent}}{\text{Hypotenuse}}$	= COSINE
$\frac{\text{Side opposite}}{\text{Side adjacent}}$	= TANGENT
$\frac{\text{Side adjacent}}{\text{Side opposite}}$	= COTANGENT
$\frac{\text{Hypotenuse}}{\text{Side adjacent}}$	= SECANT
$\frac{\text{Hypotenuse}}{\text{Side opposite}}$	= COSECANT

Table 38: To Find Angles and Sides of Right Angle Triangles

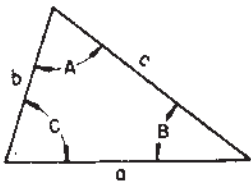
To Find Angles				To Find Angles			
To Find:		Formulas	To Find:		Formulas		
C	$\frac{c}{a}$	= Sine C	a	$\sqrt{b^2 + c^2}$	---		
C	$\frac{b}{a}$	= Cosine C	a	$c \times \text{Cosec. C}$	$\frac{c}{\text{Sine C}}$		
C	$\frac{c}{b}$	= Tan. C	a	$c \times \text{Secant B}$	$\frac{c}{\text{Cosine B}}$		
C	$\frac{b}{c}$	= Cotan C	a	$b \times \text{Cosec. B}$	$\frac{b}{\text{Sine B}}$		
C	$\frac{a}{b}$	= Secant C	a	$b \times \text{Secant C}$	$\frac{b}{\text{Cosine C}}$		
C	$\frac{a}{c}$	= Cosec. C	b	$\sqrt{a^2 - c^2}$	---		
B	$\frac{c}{a}$	= Sine B	b	$a \times \text{Sine B}$	$\frac{a}{\text{Cosecant B}}$		
B	$\frac{c}{a}$	= Cosine B	b	$a \times \text{Cos. C}$	$\frac{a}{\text{Secant C}}$		
B	$\frac{b}{c}$	= Tan. B	b	$c \times \text{Tan. B}$	$\frac{c}{\text{Cotangent B}}$		
B	$\frac{c}{d}$	= Cotan. B	b	$c \times \text{Cot. C}$	$\frac{c}{\text{Tangent C}}$		
B	$\frac{a}{c}$	= Secant B	c	$\sqrt{a^2 - b^2}$	---		
B	$\frac{a}{b}$	= Cosec. B	c	$a \times \text{Cos. B}$	$\frac{a}{\text{Secant B}}$		
			c	$a \times \text{Sine C}$	$\frac{a}{\text{Cosecant C}}$		
			c	$b \times \text{Cot. B}$	$\frac{b}{\text{Tangent B}}$		
			c	$b \times \text{Tan. C}$	$\frac{b}{\text{Cotangent C}}$		

Table 37: Formulas for Finding Sides of Right Angle Triangles with an Angle and Side Known

To find: Length of side opposite	<ul style="list-style-type: none"> Hypotenuse x Sine Hypotenuse ÷ Coscant Side adjacent x Tangent Side adjacent ÷ Cotangent
To find: Length of side adjacent	<ul style="list-style-type: none"> Hypotenuse X Cosine Hypotenuse ÷ Secant Side opposite X Cotangent Side opposite ÷ Tangent
To find: Length of Hypotenuse	<ul style="list-style-type: none"> Side opposite X Cosecant Side opposite ÷ Sine Side adjacent X Secant Side adjacent ÷ Cosine

Table 39: To Find Angles and Sides of Oblique Angle Triangle

Oblique Angle Triangle



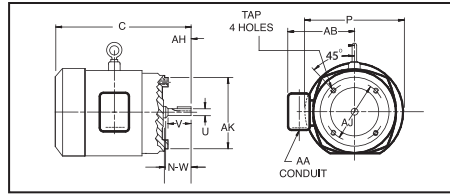
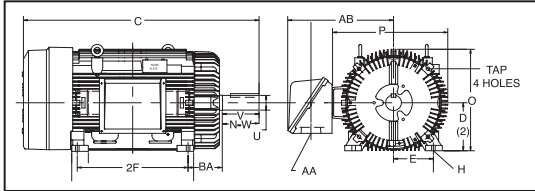
To Find Angles and Sides of Oblique Angle Triangle					
To find:	Known	Formulas	To Find:	Known	Formulas
C	A, B	$180^\circ - (A + B)$	A	B, C	$180^\circ - (B + C)$
b	a, B, A	$\frac{a \times \text{Sin. B}}{\text{Sin. A}}$	Cos. A	a, b, c	$\frac{b^2 + c^2 - a^2}{2bc}$
c	a, A, C	$\frac{a \times \text{Sin. C}}{\text{Sin. A}}$	Sin. C	c, A, a	$\frac{c \times \text{Sin. A}}{a}$
Tan. A	a, C, b	$\frac{a \times \text{Sin. C}}{b - (a \times \text{Cos. C})}$	Cot. B	a, C, b	$\frac{a \times \text{Cosec. C}}{b}$
B	A, C	$180^\circ - (A + C)$	c	b, C, B	$b \times \text{Sin. C} \times \text{Cosec. B}$
Sin. B	b, A, a	$\frac{b \times \text{Sin. A}}{a}$	---	---	-----

NEMA QUICK REFERENCE CHART

- Dimensions are for reference only
- Drawings represent standard TEFC general purpose motors

Contact your local DODGE/Reliance Sales Office at 1-864-284-5700 for "C" dimensions.

FRAME		NEMA SHAFT	KEYSEAT DIMENSIONS			FRAME		NEMA SHAFT	KEYSEAT DIMENSIONS		
		U	R	S				U	R	S	
48	48	1/2	29/64	FLAT	284T	286T	1-7/8	1-19/32	1/2		
56	56	5/8	33/64	3/16	324T	326T	2-1/8	1-27/32	1/2		
143T	145T	7/8	49/64	3/16	364T	365T	2-3/8	2-1/64	5/8		
182T	184T	1-1/8	63/64	1/4	404T	405T	2-7/8	2-29/64	3/4		
213T	215T	1-3/8	1-13/64	5/16	444T	445T	3-3/8	2-7/8	7/8		
254T	256T	1-5/8	1-13/32	3/8	447T	449T	3-3/8	2-7/8	7/8		



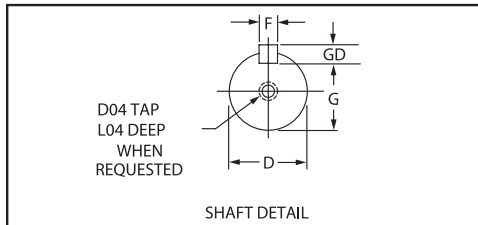
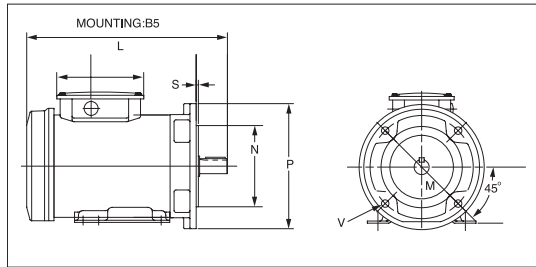
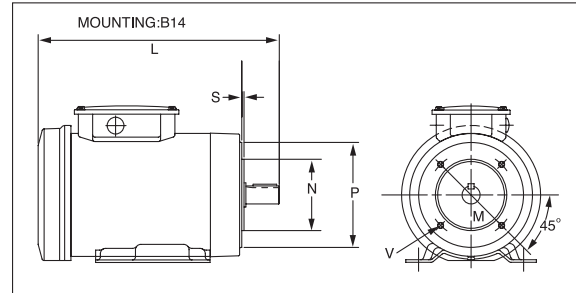
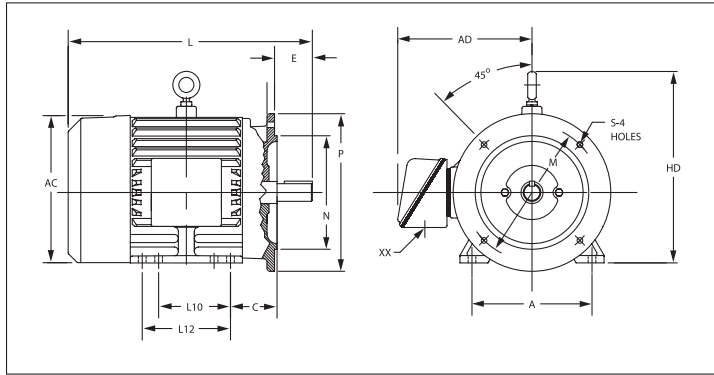
NEMA C-FACE	BA Dimensions
143TC - 145TC	2-3/4
182TC - 184TC	3-1/2
213TC - 215TC	4-1/4
254TC - 256TC	4-3/4

NEMA Frame	D	E	2F	H	N-W	O	P	U	Keyway	V	AA	AB	AH	AJ	AK	BA	Tap Size
48	3	2-1/8	2-3/4	11/32 SLOT	1-1/2	5-13/16	5-5/8	1/2		1-1/2	1/2	-	1-11/16	3-3/4	3	2-1/2	1/4-20
56	3-1/2	2-7/16	3	11/32	1-7/8	8-9/16	7-9/32	5/8	3/16x3/32	1-7/8	1/2	-	2-1/16	5-7/8	4-1/4	2-3/4	3/8-16
56H	3-1/2	2-7/16	5	SLOT	1-7/8	8-9/16	7-9/32	5/8	3/16x3/32	1-7/8	1/2	-	2-1/16	5-7/8	4-1/2	2-3/4	3/8-16
143T	3-1/2	2-7/16	4	11/32	2-1/4	8-9/16	7-9/32	7/8	3/16x3/32	2-1/4	3/4	-	2-1/8	5-7/8	4-1/2	2-1/4	3/8-16
145T	3-1/2	2-3/4	5	11/32	2-1/4	8-9/16	7-9/32	7/8	3/16x3/32	2-1/4	3/4	-	2-1/8	5-7/8	4-1/2	2-1/4	3/8-16
182	4-1/2	3-3/4	4-1/2	13/32	2-1/4	9-7/8	9-1/4	7/8	3/16x3/32	2-1/4	3/4	8-7/16	2-1/8	5-7/8	4-1/2	2-3/4	3/8-16
184	4-1/2	3-3/4	5-1/2	13/32	2-1/4	9-7/8	9-1/4	7/8	3/16x3/32	2-1/4	3/4	8-7/16	2-1/8	5-7/8	4-1/2	2-3/4	3/8-16
182T	4-1/2	3-3/4	4-1/2	13/32	2-3/4	9-7/8	9-1/4	1-1/8	1/4x1/8	2-3/4	3/4	7-13/16	2-5/8	7-1/4	8-1/2	2-3/4	1/2-13
184T	4-1/2	3-3/4	5-1/2	13/32	2-3/4	9-7/8	9-1/4	1-1/8	1/4x1/8	2-3/4	3/4	7-13/16	2-5/8	7-1/4	8-1/2	2-3/4	1/2-13
213	5-1/4	4-1/4	5-1/2	13/32	3	11-1/4	10-1/2	1-1/8	1/4x1/8	3	1	9-5/16	2-3/4	7-1/4	8-1/2	3-1/2	1/2-13
215	5-1/4	4-1/4	7	13/32	3	11-1/4	10-1/2	1-1/8	1/4x1/8	3	1	9-5/16	2-3/4	7-1/4	8-1/2	3-1/2	1/2-13
213T	5-1/4	4-1/4	5-1/2	13/32	3-3/8	11-1/4	10-1/2	1-3/8	5/16x5/32	3-3/8	1	8-11/16	3-1/8	7-1/4	8-1/2	3-1/2	1/2-13
215T	5-1/4	4-1/4	7	13/32	3-3/8	11-1/4	10-1/2	1-3/8	5/16x5/32	3-3/8	1	8-11/16	3-1/8	7-1/4	8-1/2	3-1/2	1/2-13
254U	6-1/4	5	8-1/4	17/32	3-3/4	13-1/4	13-1/4	1-3/8	5/16x5/32	3-3/4	1-1/4	10-13/16	3-1/2	7-1/4	8-1/2	4-1/4	1/2-13
256U	6-1/4	5	10	17/32	3-3/4	13-1/4	13-1/4	1-3/8	5/16x5/32	3-3/4	1-1/4	10-13/16	3-1/2	7-1/4	8-1/2	4-1/4	1/2-13
254T	6-1/4	5	8-1/4	17/32	4	13-1/4	13-1/4	1-5/8	3/8x3/16	4	1-1/4	10-3/4	3-3/4	7-1/4	8-1/2	4-1/4	1/2-13
256T	6-1/4	5	10	17/32	4	13-1/4	13-1/4	1-5/8	3/8x3/16	4	1-1/4	10-3/4	3-3/4	7-1/4	8-1/2	4-1/4	1/2-13
284U	7	5-1/2	9-1/2	17/32	4-7/8	14-3/4	14-7/8	1-5/8	3/8x3/16	4-7/8	1-1/2	12-5/8	4-5/8	9	10-1/2	4-3/4	1/2-13
286U	7	5-1/2	11	17/32	4-7/8	14-3/4	14-7/8	1-5/8	3/8x3/16	4-7/8	1-1/2	12-5/8	4-5/8	9	10-1/2	4-3/4	1/2-13
284T	7	5-1/2	9-1/2	17/32	4-5/8	14-3/4	14-7/8	1-7/8	1/2x1/4	4-5/8	1-1/2	12-3/4	4-3/8	9	10-1/2	4-3/4	1/2-13
286T	7	5-1/2	11	17/32	4-5/8	14-3/4	14-7/8	1-7/8	1/2x1/4	4-5/8	1-1/2	12-3/4	4-3/8	9	10-1/2	4-3/4	1/2-13
284TS	7	5-1/2	9-1/2	17/32	3-1/4	14-3/4	14-7/8	1-5/8	3/8x3/16	3-1/4	1-1/2	12-3/4	3	9	10-1/2	4-3/4	1/2-13
286TS	7	5-1/2	11	17/32	3-1/4	14-3/4	14-7/8	1-5/8	3/8x3/16	3-1/4	1-1/2	12-3/4	3	9	10-1/2	4-3/4	1/2-13
324U	8	6-1/4	10-1/2	21/32	5-5/8	16-11/16	17	1-7/8	1/2x1/4	5-5/8	2	15-7/16	5-3/8	11	12-1/2	5-1/4	5/8-11
326U	8	6-1/4	12	21/32	5-5/8	16-11/16	17	1-7/8	1/2x1/4	5-5/8	2	15-7/16	5-3/8	11	12-1/2	5-1/4	5/8-11
324T	8	6-1/4	10-1/2	21/32	5-1/4	16-11/16	17	2-1/8	1/2x1/4	5-1/4	2	15-3/16	5	11	12-1/2	5-1/4	5/8-11
326T	8	6-1/4	12	21/32	5-1/4	16-11/16	17	2-1/8	1/2x1/4	5-1/4	2	15-3/16	5	11	12-1/2	5-1/4	5/8-11
324TS	8	6-1/4	10-1/2	21/32	3-3/4	16-11/16	17	1-7/8	1/2x1/4	3-3/4	2	15-3/16	3-1/2	11	12-1/2	5-1/4	5/8-11
326TS	8	6-1/4	12	21/32	3-3/4	16-11/16	17	1-7/8	1/2x1/4	3-3/4	2	15-3/16	3-1/2	11	12-1/2	5-1/4	5/8-11
364U	9	7	11-1/4	21/32	6-3/8	18-1/2	19-1/2	2-1/8	1/2x1/4	6-3/8	2-1/2	18	6-1/8	11	12-1/2	5-7/8	5/8-11
365U	9	7	12-1/4	21/32	6-3/8	18-1/2	19-1/2	2-1/8	1/2x1/4	6-3/8	2-1/2	18	6-1/8	11	12-1/2	5-7/8	5/8-11
364T	9	7	11-1/4	21/32	5-7/8	18-1/2	19-1/2	2-3/8	5/8x5/16	5-7/8	2-1/2	18-1/16	5-5/8	11	12-1/2	5-7/8	5/8-11
365T	9	7	12-1/4	21/32	5-7/8	18-1/2	19-1/2	2-3/8	5/8x5/16	5-7/8	2-1/2	18-1/16	5-5/8	11	12-1/2	5-7/8	5/8-11
364TS	9	7	11-1/4	21/32	3-3/4	18-1/2	19-1/2	1-7/8	1/2x1/4	3-3/4	2-1/2	18-1/16	3-1/2	11	12-1/2	5-7/8	5/8-11
365TS	9	7	12-1/4	21/32	3-3/4	18-1/2	19-1/2	1-7/8	1/2x1/4	3-3/4	2-1/2	18-1/16	3-1/2	11	12-1/2	5-7/8	5/8-11
404U	10	8	12-1/4	13/16	7-1/8	21-5/16	22-1/2	2-3/8	5/8x5/16	7-1/8	3	19-1/4	6-7/8	11	12-1/2	6-5/8	5/8-11
405U	10	8	13-3/4	13/16	7-1/8	21-5/16	22-1/2	2-3/8	5/8x5/16	7-1/8	3	19-1/4	6-7/8	11	12-1/2	6-5/8	5/8-11
404T	10	8	12-1/4	13/16	7-1/4	21-5/16	22-1/2	2-7/8	3/4x3/8	7-1/4	3	19-5/16	7	11	12-1/2	6-5/8	5/8-11
405T	10	8	13-3/4	13/16	7-1/4	21-5/16	22-1/2	2-7/8	3/4x3/8	7-1/4	3	19-5/16	7	11	12-1/2	6-5/8	5/8-11
404TS	10	8	12-1/4	13/16	4-1/4	21-5/16	22-1/2	2-1/8	1/2x1/4	4-1/4	3	19-5/16	4	11	12-1/2	6-5/8	5/8-11
405TS	10	8	13-3/4	13/16	4-1/4	21-5/16	22-1/2	2-1/8	1/2x1/4	4-1/4	3	19-5/16	4	11	12-1/2	6-5/8	5/8-11
444U	11	9	14-1/2	13/16	8-5/8	23-3/8	25-1/4	2-7/8	3/4x3/8	8-5/8	3	22-3/16	8-3/8	14	16	7-1/2	5/8-11
445U	11	9	16-1/2	13/16	8-5/8	23-3/8	25-1/4	2-7/8	3/4x3/8	8-5/8	3	22-3/16	8-3/8	14	16	7-1/2	5/8-11
444T	11	9	14-1/2	13/16	8-1/2	23-3/8	25-1/4	3-3/8	7/8x7/16	8-1/2	3	23-3/8	8-1/4	14	16	7-1/2	5/8-11
445T	11	9	16-1/2	13/16	8-1/2	23-3/8	25-1/4	3-3/8	7/8x7/16	8-1/2	3	23-3/8	8-1/4	14	16	7-1/2	5/8-11
447T	11	9	20	13/16	8-1/2	23-5/8	26	3-3/8	7/8x7/16	8-1/2	3	23-7/8	8-1/4	14	16	7-1/2	5/8-11
449T	11	9	25	13/16	8-1/2	23-5/8	26	3-3/8	7/8x7/16	8-1/2	3	23-7/8	8-1/4	14	16	7-1/2	5/8-11
444TS	11	9	14-1/2	13/16	4-3/4	23-3/8	25-1/4	2-3/8	5/8x5/16	4-3/4	3	23-3/8	4-1/2	14	16	7-1/2	5/8-11
445TS	11	9	16-1/2	13/16	4-3/4	23-3/8	25-1/4	2-3/8	5/8x5/16	4-3/4	3	23-3/8	4-1/2	14	16	7-1/2	5/8-11
447TS	11	9	20	13/16	4-3/4	23-5/8	26	2-3/8	5/8x5/16	4-3/4	4 NPT	23-7/8	4-1/2	14	16	7-1/2	5/8-11
449TS	11	9	25	13/16	4-3/4	23-5/8	26	2-3/8	5/8x5/16	4-3/4	4 NPT	23-7/8	4-1/2	14	16	7-1/2	5/8-11

IEC QUICK REFERENCE CHART

- Dimensions are for reference only
- Drawings represent standard TEFC general purpose motors

Contact your local DODGE/Reliance Sales Office at 1-864-284-5700 for "C" dimensions.



KEY AND KEYSEAT DIMENSIONS									
FRAME	D	G	F	GD	FRAME	D	G	F	GD
71	14	11	5	5	160	37	42	12	8
80	19	15.5	6	6	180	48	42.5	14	9
90	24	20	8	7	200	55	49	16	10
100	28	24	8	7	225	60	53	18	11
112	28	24	8	7	250	70	67.5	20	12
132	38	33	10	8	280	80	71	22	14

Frame	B3 RIGID BASE					SHAFT			B5 FLANGE					B14 FACE					GENERAL		
	A	L10	L12	HD	C	E	D	N	M	P	S	V	N	M	P	S	V	AC	AD	XX	
71	-	-	-	-	-	-	-	110	130	160	"3,5"	"9,5"	70	85	105	2.5	M6	143	-	13	
80	125	100	-	188	50	40	19	130	165	200	"3,5"	"11,5"	80	100	120	3	M6	143	-	13	
90	140	100	125	208	56	50	24	130	165	200	"3,5"	"11,5"	95	115	140	3	M8	163	-	13	
100	160	112	140	229	63	60	28	180	215	250	4	14	110	130	160	3.5	M8	175	-	19	
112S	190	114	-	301.8	71.4	60	28	180	215	250	4	14	110	130	160	3.5	M8	243	210	32	
112M	190	-	140	301.8	71.4	60	28	180	215	250	4	14	110	130	160	3.5	M8	243	210	32	
132S	216	140	-	336.6	88.9	80	38	230	265	300	4	14	130	165	200	3.5	M8	286	243	32	
132M	216	-	178	336.6	88.9	80	38	230	265	300	4	14	130	165	200	3.5	M8	286	243	32	
160M	254	210	-	399	108	110	42	250	300	350	5	18	180	215	250	4	M12	324	320	40	
160L	254	-	254	399	108	110	42	250	300	350	5	18	180	215	250	4	M12	324	320	40	
180M	279	241	-	436	121	110	48	250	300	350	5	18	398	355	40			398	355	40	
180L	279	-	279	436	121	110	48	250	300	350	5	18	398	355	40			398	355	40	
200M	318	267	-	486	133	110	55	300	350	400	5	18	442	445	50			442	445	50	
200L	318	-	305	486	133	110	55	300	350	400	5	18	442	445	50			442	445	50	
225S	356	286	-	545	149	140	60	350	400	450	5	18	490	470	50			490	470	50	
225M	356	-	311	545	149	140	60	350	400	450	5	18	490	470	50			490	470	50	
250S	406	311	-	616	168	140	65											600	510	63	
250M	406	-	349	616	168	140	65											600	535	63	
280S	457	368	-	677	190	140	75											650	535	63	
280M	457	-	419	677	190	140	75											650	535	63	
280K	457	500	-	677	190	140	75											650	535	63	
280H	457	630	-	677	190	140	75											650	535	63	
L280H	457	635	-	677	202	205	75											650	535	63	

PART NUMBER INDEX



Part Number	Page	Part Number	Page	Part Number	Page	Part Number	Page
004060	B17-42	006016	B17-40	010057	B17-57	013906	B19-24, B19-25
004063	B17-42	006019	B17-40	010058	B17-57	013907	B19-24, B19-25
004066	B17-42	006022	B17-40	010059	B17-57	013908	B19-24, B19-25
004069	B17-42	006025	B17-40	010060	B17-57	013909	B19-24, B19-25
004072	B17-42	006028	B17-40	010061	B17-57	013910	B19-24, B19-25
004075	B17-42	006031	B17-40	010075	B17-57	013916	B19-24, B19-25
004078	B17-42	006034	B17-40	010076	B17-57	013917	B19-24, B19-25
004081	B17-42	006037	B17-40	010077	B17-57	013918	B19-24, B19-25
004084	B17-42	006040	B17-40	010078	B17-57	019200	B19-27, B19-28
004087	B17-42	006043	B17-40	010080	B17-57	019201	B19-27, B19-28
004090	B17-42	006046	B17-40	010081	B17-57	019202	B19-27, B19-28
004093	B17-42	006049	B17-40	010084	B17-57	019203	B19-27, B19-28
004096	B17-42	006052	B17-40	010085	B17-57	019204	B19-27, B19-28
004099	B17-42	006055	B17-40	010088	B17-57	019210	B19-27, B19-28
004102	B17-42	006058	B17-40	010089	B17-57	019211	B19-27, B19-28
004105	B17-42	006061	B17-40	010092	B17-57	019212	B19-27, B19-28
004108	B17-42	006064	B17-40	010093	B17-57	019213	B19-27, B19-28
004113	B17-42	006067	B17-40	010096	B17-57	019214	B19-27, B19-28
004114	B17-42	006070	B17-40	010097	B17-57	019220	B19-27, B19-28
004115	B17-42	006073	B17-40	010100	B17-57	019221	B19-27, B19-28
004116	B17-42	006076	B17-40	010104	B17-57	019222	B19-27, B19-28
005050	B17-37	006079	B17-40	010105	B17-57	019223	B19-27, B19-28
005051	B17-37	006082	B17-40	010107	B17-57	019224	B19-27, B19-28
005052	B17-37	006102	B17-38	010110	B17-57	019230	B19-27, B19-28
005053	B17-37	006104	B17-38	010112	B17-57	019231	B19-27, B19-28
005055	B17-37	006107	B17-38	010114	B17-57	019232	B19-27, B19-28
005056	B17-37	006109	B17-38	010117	B17-57	019233	B19-27, B19-28
005057	B17-37	006110	B17-38	010120	B17-57	019234	B19-27, B19-28
005058	B17-37	006111	B17-38	010123	B17-57	019240	B19-27, B19-28
005059	B17-37	006113	B17-38	010126	B17-57	019241	B19-27, B19-28
005060	B17-37	006114	B17-38	010127	B17-57	019242	B19-27, B19-28
005061	B17-37	006115	B17-38	010128	B17-57	019243	B19-27, B19-28
005062	B17-37	006117	B17-38	010129	B17-57	019244	B19-27, B19-28
005063	B17-37	006118	B17-38	010130	B17-57	019250	B19-27, B19-28
005064	B17-37	006119	B17-38	010131	B17-57	019251	B19-27, B19-28
005065	B17-37	006120	B17-38	012215	B17-46	019252	B19-27, B19-28
005066	B17-37	006124	B17-38	012216	B17-46	019253	B19-27, B19-28
005067	B17-37	006125	B17-38	012217	B17-46	019254	B19-27, B19-28
005068	B17-37	006128	B17-38	012302	B4-82	019260	B19-27, B19-28
005070	B17-50	006129	B17-38	012303	B4-82	019261	B19-27, B19-28
005073	B17-50	006132	B17-38	012340	B4-82	019262	B19-27, B19-28
005076	B17-50	006136	B17-38	012341	B4-82	019263	B19-27, B19-28
005079	B17-50	006140	B17-38	012342	B4-82	019264	B19-27, B19-28
005082	B17-50	006144	B17-38	012343	B4-82	019270	B19-27, B19-28
005085	B17-51	006148	B17-38	013497	B19-24, B19-25	019271	B19-27, B19-28
005088	B17-51	006152	B17-38	013498	B19-24, B19-25	019272	B19-27, B19-28
005091	B17-51	010020	B17-57	013499	B19-24, B19-25	019273	B19-27, B19-28
005094	B17-51	010021	B17-57	013511	B19-24, B19-25	019274	B19-27, B19-28
005097	B17-51	010024	B17-57	013512	B19-24, B19-25	019280	B19-27, B19-28
005100	B17-51	010028	B17-57	013513	B19-24, B19-25	019281	B19-27, B19-28
005117	B17-37	010029	B17-57	013514	B19-24, B19-25	019282	B19-27, B19-28
005195	B17-51	010032	B17-57	013515	B19-24, B19-25	019283	B19-27, B19-28
005198	B17-51	010036	B17-57	013519	B19-24, B19-25	019284	B19-27, B19-28
005199	B17-51	010039	B17-57	013520	B19-24, B19-25	021218	B17-46
005201	B17-51	010043	B17-57	013900	B19-24, B19-25	021219	B17-46
006001	B17-40	010048	B17-57	013901	B19-24, B19-25	021220	B17-46
006004	B17-40	010051	B17-57	013902	B19-24, B19-25	22208	B16-8
006007	B17-40	010054	B17-57	013903	B19-24, B19-25	22209	B16-8
006010	B17-40	010055	B17-57	013904	B19-24, B19-25	22210	B16-8
006013	B17-40	010056	B17-57	013905	B19-24, B19-25	22211	B16-8



PART NUMBER INDEX

Part Number	Page	Part Number	Page	Part Number	Page	Part Number	Page
22213	B16-8	023058	B10-23	023118	B10-27	023179	B10-41
22215	B16-8	023059	B10-23	023119	B10-27	023180	B10-41
22218	B16-8	023060	B10-23	023120	B10-29	023181	B10-41
22220	B16-8	023061	B10-23	023121	B10-29	023182	B10-41
22222	B16-8	023062	B10-23	023122	B10-29	023183	B10-41
22226	B16-8	023063	B10-23	023123	B10-29	023184	B10-41
22228	B16-8	023064	B10-23	023124	B10-29	023186	B10-41
22232	B16-8	023065	B10-23	023125	B10-29	023187	B10-41
023000	B10-23	023066	B10-23	023126	B10-29	023188	B10-41
023001	B10-23	023067	B10-23	023127	B10-29	023189	B10-41
023002	B10-23	023068	B10-23	023128	B10-29	023190	B10-41
023003	B10-23	023069	B10-23	023129	B10-29	023192	B10-41
023004	B10-23	023070	B10-25	023130	B10-29	023193	B10-41
023005	B10-23	023071	B10-25	023131	B10-29	023194	B10-41
023006	B10-23	023072	B10-25	023132	B10-29	023195	B10-41
023007	B10-23	023073	B10-25	023133	B10-29	023196	B10-41
023008	B10-23	023074	B10-25	023134	B10-29	023197	B10-41
023009	B10-23	023075	B10-25	023135	B10-29	023198	B10-41
023010	B10-23	023076	B10-31	023136	B10-29	023199	B10-41
023011	B10-23	023077	B10-31	023137	B10-29	023200	B10-41
023012	B10-23	023078	B10-31	023138	B10-29	023201	B10-41
023013	B10-23	023079	B10-31	023139	B10-29	023203	B10-41
023014	B10-23	023080	B10-31	023140	B10-29	023204	B10-41
023015	B10-23	023081	B10-31	023141	B10-29	023205	B10-41
023016	B10-23	023082	B10-31	023142	B10-29	023206	B10-41
023017	B10-23	023083	B10-31	023143	B10-29	023208	B10-41
023018	B10-23	023084	B10-31	023144	B10-29	023209	B10-41
023019	B10-23	023085	B10-31	023145	B10-29	023210	B10-41
023020	B10-23	023086	B10-31	023146	B10-29	023212	B10-43
023021	B10-23	023087	B10-31	023147	B10-29	023214	B10-43
023022	B10-23	023088	B10-31	023148	B10-29	023215	B10-43
023023	B10-25	023089	B10-31	023149	B10-33	023219	B10-43
023024	B10-25	023090	B10-31	023150	B10-33	023220	B10-43
023025	B10-25	023091	B10-31	023151	B10-33	023221	B10-43
023026	B10-25	023092	B10-31	023152	B10-33	023223	B10-43
023027	B10-25	023093	B10-27	023153	B10-33	023224	B10-43
023028	B10-25	023094	B10-27	023154	B10-33	023227	B10-43
023029	B10-25	023095	B10-27	023155	B10-33	023228	B10-43
023030	B10-25	023096	B10-27	023156	B10-33	023230	B10-43
023031	B10-25	023097	B10-27	023157	B10-33	023232	B10-43
023032	B10-25	023098	B10-27	023158	B10-33	023234	B10-43
023033	B10-25	023099	B10-27	023159	B10-33	023236	B10-43
023040	B10-25	023100	B10-27	023160	B10-33	023237	B10-43
023041	B10-25	023101	B10-27	023161	B10-33	023241	B10-43
023042	B10-25	023102	B10-27	023162	B10-33	023242	B10-43
023043	B10-25	023103	B10-27	023163	B10-33	023243	B10-43
023044	B10-25	023104	B10-27	023164	B10-33	023245	B10-43
023045	B10-25	023105	B10-27	023165	B10-33	023246	B10-43
023046	B10-25	023106	B10-27	023166	B10-33	023249	B10-43
023047	B10-23	023107	B10-27	023167	B10-41	023250	B10-43
023048	B10-23	023108	B10-27	023168	B10-41	023252	B10-43
023049	B10-23	023109	B10-27	023170	B10-41	023254	B10-43
023050	B10-23	023110	B10-27	023171	B10-41	023256	B10-47
023051	B10-23	023111	B10-27	023172	B10-41	023261	B10-47
023052	B10-23	023112	B10-27	023173	B10-41	023263	B10-47
023053	B10-23	023113	B10-27	023174	B10-41	023265	B10-47
023054	B10-23	023114	B10-27	023175	B10-41	023266	B10-47
023055	B10-23	023115	B10-27	023176	B10-41	023269	B10-47
023056	B10-23	023116	B10-27	023177	B10-41	023270	B10-47
023057	B10-23	023117	B10-27	023178	B10-41	023271	B10-45

PART NUMBER INDEX



Part Number	Page	Part Number	Page	Part Number	Page	Part Number	Page
023272	B10-45	023343	B10-51	023433	B10-55	023517	B10-51, B10-57
023273	B10-45	023344	B10-51	023435	B10-55	023518	B10-51, B10-57
023274	B10-45	023345	B10-51	023436	B10-55	023519	B10-51, B10-57
023275	B10-45	023346	B10-51	023439	B10-55	023520	B10-51, B10-53, B10-57
023276	B10-45	023347	B10-51	023440	B10-55	023521	B10-51, B10-53, B10-57
023277	B10-45	023349	B10-51	023443	B10-55	023522	B10-51, B10-53, B10-57
023278	B10-45	023350	B10-51	023445	B10-55	023523	B10-51, B10-57
023279	B10-45	023352	B10-53	023447	B10-55	023524	B10-51, B10-53, B10-57
023280	B10-45	023353	B10-53	023448	B10-55	023525	B10-51, B10-53, B10-57
023281	B10-45	023354	B10-53	023449	B10-55	023526	B10-51, B10-57
023282	B10-45	023356	B10-53	023454	B10-55	023527	B10-57
023283	B10-45	023357	B10-53	023460	B10-55	023528	B10-51, B10-53, B10-57
023284	B10-45	023360	B10-53	023461	B10-55	023529	B10-51, B10-53, B10-57
023285	B10-45	023361	B10-53	023462	B10-55	023530	B10-53, B10-57
023286	B10-45	023362	B10-53	023464	B10-55	023531	B10-53, B10-57
023287	B10-45	023363	B10-53	023465	B10-55	023532	B10-53, B10-57
023288	B10-45	023364	B10-53	023466	B10-55	023533	B10-53, B10-57
023289	B10-45	023365	B10-53	023468	B10-55	023534	B10-53, B10-57
023290	B10-45	023366	B10-53	023469	B10-55	023535	B10-53, B10-57
023291	B10-45	023367	B10-53	023472	B10-55	023536	B10-53, B10-57
023292	B10-45	023368	B10-53	023474	B10-55	023537	B10-53, B10-57
023293	B10-45	023369	B10-53	023476	B10-55	023538	B10-57
023294	B10-45	023376	B10-51	023477	B10-55	023539	B10-57
023295	B10-45	023377	B10-51	023478	B10-55	023540	B10-57
023296	B10-45	023378	B10-51	023480	B10-57	023541	B10-57
023297	B10-45	023379	B10-51	023481	B10-57	023542	B10-57
023298	B10-45	023380	B10-51	023482	B10-57	023543	B10-57
023299	B10-45	023381	B10-51	023483	B10-57	023545	B10-57
023300	B10-45	023382	B10-51	023484	B10-57	023546	B10-57
023301	B10-45	023384	B10-51	023485	B10-57	023547	B10-57
023302	B10-45	023385	B10-51	023486	B10-57	023548	B10-57
023303	B10-45	023386	B10-51	023487	B10-57	023550	B10-57
023304	B10-45	023387	B10-51	023488	B10-57	023552	B10-57
023305	B10-45	023388	B10-51	023489	B10-57	023553	B10-57
023306	B10-45	023388	B10-51	023490	B10-57	023554	B10-57
023307	B10-45	023389	B10-51	023491	B10-57	023556	B10-57
023308	B10-45	023390	B10-51	023492	B10-57	023557	B10-57
023309	B10-45	023391	B10-51	023493	B10-57	023558	B10-57
023310	B10-45	023392	B10-51	023494	B10-57	023559	B10-57
023311	B10-45	023393	B10-51	023495	B10-57	023560	B10-57
023312	B10-45	023394	B10-51	023496	B10-57	023561	B10-57
023314	B10-49	023396	B10-51	023497	B10-57	023564	B10-57
023316	B10-49	023397	B10-51	023498	B10-57	023565	B10-57
023318	B10-49	023399	B10-53	023499	B10-57	023566	B10-57
023322	B10-49	023400	B10-53	023500	B10-57	023567	B10-57
023325	B10-49	023401	B10-53	023501	B10-57	023568	B10-57
023327	B10-49	023403	B10-53	023502	B10-57	023569	B10-57
023329	B10-51	023404	B10-53	023503	B10-57	023570	B10-57
023330	B10-51	023407	B10-53	023504	B10-57	023571	B10-57
023331	B10-51	023408	B10-53	023505	B10-57	023584	B10-61
023332	B10-51	023409	B10-53	023506	B10-57	023585	B10-61
023333	B10-51	023410	B10-53	023507	B10-57	023586	B10-61
023334	B10-51	023411	B10-53	023508	B10-51, B10-57	023587	B10-61
023335	B10-51	023412	B10-53	023509	B10-51, B10-57		
023337	B10-51	023413	B10-53	023510	B10-51, B10-57		
023338	B10-51	023414	B10-53	023511	B10-51, B10-57		
023339	B10-51	023415	B10-53	023512	B10-51, B10-57		
023340	B10-51	023416	B10-53	023513	B10-51, B10-57		
023341	B10-51	023425	B10-55	023514	B10-51, B10-57		
023342	B10-51	023431	B10-55	023515	B10-57		
		023432	B10-55	023516	B10-51, B10-57		



PART NUMBER INDEX

Part Number	Page	Part Number	Page	Part Number	Page	Part Number	Page
023588	B10-61	023715	B10-77	033086	B17-16	033272	B17-18
023589	B10-61	023795	B10-65	033087	B17-16	033273	B17-18
023590	B10-61	023796	B10-65	033088	B17-16	033274	B17-18
023603	B10-61	023797	B10-65	033089	B17-16	033275	B17-18
023604	B10-61	023798	B10-65	033090	B17-16	033276	B17-18
023605	B10-61	023799	B10-65	033091	B17-16	033277	B17-18
023606	B10-61	023800	B10-65	033092	B17-16	033278	B17-18
023607	B10-61	023801	B10-65	033093	B17-16	033321	B17-15
023608	B10-61	032867	B2-76	033094	B17-16	033323	B17-15
023609	B10-61	032868	B2-76	033095	B17-16	033347	B17-14
023610	B10-61, B10-63	032871	B2-76	033096	B17-16	033351	B17-14
023611	B10-61, B10-63	032872	B2-76	033097	B17-16	033475	B17-14
023612	B10-61, B10-63	032874	B2-76	033098	B17-16	033480	B17-14
023613	B10-61, B10-63	032875	B2-76	033185	B17-16	033485	B17-14
023614	B10-61, B10-63	032876	B2-76	033186	B17-16	033490	B17-14
023615	B10-61, B10-63	032877	B2-76	033187	B17-16	033500	B17-14
023616	B10-61, B10-63	032878	B2-76	033188	B17-16	033505	B17-14
023620	B10-75	032879	B2-76	033189	B17-16	033510	B17-14
023621	B10-75	032881	B2-76	033190	B17-16	033515	B17-14
023622	B10-75	032882	B2-76	033191	B17-16	033525	B17-14
023623	B10-75	032886	B2-76	033192	B17-16	033530	B17-14
023624	B10-75	032887	B2-76	033193	B17-16	033535	B17-14
023625	B10-75	032923	B17-15	033194	B17-16	033540	B17-14
023626	B10-75	032937	B17-15	033195	B17-16	033585	B17-26
023627	B10-75	032940	B17-12	033196	B17-16	033586	B17-26
023628	B10-75	032941	B17-12	033197	B17-16	033587	B17-26
023629	B10-75	032942	B17-12	033198	B17-16	033588	B17-26
023630	B10-75	032943	B17-12	033200	B17-18	033589	B17-26
023631	B10-75	032945	B17-12	033201	B17-18	033590	B17-26
023632	B10-75	032946	B17-12	033202	B17-18	033591	B17-26
023633	B10-75	032947	B17-12	033203	B17-18	033592	B17-26
023634	B10-75	032949	B17-12	033204	B17-18	033593	B17-26
023635	B10-75	032950	B17-12	033205	B17-18	033594	B17-26
023636	B10-75	032951	B17-12	033206	B17-18	033595	B17-26
023637	B10-75	032953	B17-12	033207	B17-18	033596	B17-26
023638	B10-75	032954	B17-12	033208	B17-18	033597	B17-26
023639	B10-75	032955	B17-12	033209	B17-18	033598	B17-26
023640	B10-75	032956	B17-12	033210	B17-18	033599	B17-26
023641	B10-75	032957	B17-12	033211	B17-18	033600	B17-26
023690	B10-25	032959	B17-12	033212	B17-18	033601	B17-26
023691	B10-25	032960	B17-12	033213	B17-18	033602	B17-26
023692	B10-25	032970	B17-12	033214	B17-18	033610	B17-26
023693	B10-25	032971	B17-12	033215	B17-18	033611	B17-26
023694	B10-25	032972	B17-12	033216	B17-18	033612	B17-26
023695	B10-25	032973	B17-12	033217	B17-18	033613	B17-26
023700	B10-77	032975	B17-12	033218	B17-18	033614	B17-26
023701	B10-77	032976	B17-12	033247	B17-14	033615	B17-26
023702	B10-77	032977	B17-12	033251	B17-14	033616	B17-26
023703	B10-77	032979	B17-12	033260	B17-18	033617	B17-26
023704	B10-77	032980	B17-12	033261	B17-18	033618	B17-26
023705	B10-77	032981	B17-12	033262	B17-18	033619	B17-26
023706	B10-77	032983	B17-12	033263	B17-18	033620	B17-26
023707	B10-77	032984	B17-12	033264	B17-18	033621	B17-26
023708	B10-77	032985	B17-12	033265	B17-18	033622	B17-26
023709	B10-77	032986	B17-12	033266	B17-18	033623	B17-26
023710	B10-77	032987	B17-12	033267	B17-18	033624	B17-26
023711	B10-77	032989	B17-12	033268	B17-18	033625	B17-26
023712	B10-77	032990	B17-12	033269	B17-18	033626	B17-26
023713	B10-77	033077	B17-10	033270	B17-18	033627	B17-26
023714	B10-77	033085	B17-16	033271	B17-18	033667	B17-10

PART NUMBER INDEX



Part Number	Page	Part Number	Page	Part Number	Page	Part Number	Page
033668	B17-10	033844	B17-20	033916	B17-22	034025	B19-44
033669	B17-10	033845	B17-20	033917	B17-22	034030	B17-54, B19-44
033670	B17-10	033846	B17-20	033918	B17-22	034031	B17-54, B19-44
033672	B17-10	033847	B17-20	033919	B17-22	034032	B17-54, B19-44
033673	B17-10	033848	B17-20	033920	B17-22	034033	B17-54, B19-44
033674	B17-10	033849	B17-20	033921	B17-22	034034	B17-54, B19-44
033676	B17-10	033850	B17-20	033922	B17-22	034035	B17-54, B19-44
033677	B17-10	033851	B17-20	033923	B17-22	034117	B17-26
033678	B17-10	033852	B17-20	033924	B17-22	034218	B17-16
033680	B17-10	033853	B17-20	033925	B17-22	034221	B17-10
033681	B17-10	033854	B17-20	033926	B17-22	034225	B17-10
033682	B17-10	033855	B17-20	033927	B17-22	034226	B17-10
033683	B17-10	033856	B17-20	033928	B17-22	034227	B17-10
033684	B17-10	033862	B17-15	033929	B17-15	034228	B17-10
033686	B17-10	033863	B17-15	033930	B17-15	034229	B17-10
033687	B17-10	033867	B17-15	033931	B17-15	034230	B17-10
033688	B17-10	033868	B17-15	033932	B17-15	034231	B17-10
033692	B17-32	033869	B17-15	033933	B17-15	034232	B17-10
033693	B17-32	033870	B17-22	033934	B17-15	034233	B17-10
033694	B17-32	033871	B17-22	033937	B17-30	034234	B17-10
033695	B17-32	033872	B17-22	033938	B17-30	034235	B17-10
033696	B17-33	033873	B17-22	033939	B17-30	034236	B17-10
033697	B17-33	033874	B17-22	033940	B17-30	034237	B17-10
033698	B17-33	033875	B17-22	033952	B17-30	034238	B17-10
033699	B17-33	033876	B17-22	033953	B17-30	034239	B17-10
033739	B17-24	033877	B17-22	033954	B17-30	034240	B17-10
033740	B17-24	033878	B17-22	033955	B17-30	034241	B17-10
033741	B17-24	033879	B17-22	033960	B17-29	034242	B17-10
033742	B17-24	033880	B17-22	033961	B17-29	034243	B17-10
033743	B17-24	033881	B17-22	033962	B17-29	034244	B17-12
033744	B17-24	033882	B17-22	033963	B17-29	034245	B17-12
033745	B17-24	033883	B17-22	033964	B17-29	034246	B17-12
033750	B17-24	033884	B17-22	033965	B17-29	034247	B17-12
033751	B17-24	033885	B17-22	033966	B17-29	034248	B17-12
033752	B17-24	033886	B17-22	033967	B17-29	034249	B17-12
033753	B17-24	033887	B17-22	033968	B17-29	034250	B17-12
033754	B17-24	033888	B17-22	033974	B17-10	034251	B17-12
033755	B17-24	033890	B17-31	033977	B17-10	034252	B17-12
033756	B17-24	033891	B17-31	033978	B17-10	034253	B17-12
033810	B17-20	033892	B17-31	033979	B17-10	034254	B17-12
033811	B17-20	033893	B17-31	033980	B17-10	034255	B17-12
033812	B17-20	033894	B17-31	033982	B17-10	034256	B17-12
033813	B17-20	033895	B17-31	033983	B17-10	034257	B17-12
033814	B17-20	033896	B17-31	033984	B17-10	034258	B17-12
033815	B17-20	033897	B17-31	033986	B17-10	034259	B17-12
033816	B17-20	033899	B17-15	033987	B17-10	034260	B17-16
033817	B17-20	033900	B17-31	033988	B17-10	034261	B17-16
033818	B17-20	033901	B17-31	033990	B17-10	034262	B17-16
033819	B17-20	033902	B17-31	033991	B17-10	034263	B17-16
033820	B17-20	033903	B17-31	033992	B17-10	034264	B17-16
033821	B17-20	033904	B17-31	033993	B17-10	034265	B17-16
033822	B17-20	033905	B17-31	033994	B17-10	034266	B17-16
033823	B17-20	033906	B17-31	033996	B17-10	034267	B17-16
033824	B17-20	033907	B17-31	033997	B17-10	034268	B17-16
033825	B17-20	033910	B17-22	033998	B17-10	034269	B17-16
033826	B17-20	033911	B17-22	034020	B19-44	034270	B17-16
033840	B17-20	033912	B17-22	034021	B19-44	034271	B17-16
033841	B17-20	033913	B17-22	034022	B19-44	034272	B17-16
033842	B17-20	033914	B17-22	034023	B19-44	034273	B17-18
033843	B17-20	033915	B17-22	034024	B19-44	034274	B17-18



PART NUMBER INDEX

Part Number	Page	Part Number	Page	Part Number	Page	Part Number	Page
034275	B17-18	034444	B17-28	034729	B2-73	035433	B15-95
034276	B17-18	034445	B17-28	034730	B2-73	035437	B15-112
034277	B17-18	034446	B17-28	034731	B2-73	035438	B15-112
034278	B17-18	034447	B17-28	034732	B2-73	035439	B15-112
034279	B17-18	034448	B17-28	034735	B2-73	035744	B15-113, B15-119
034280	B17-18	034449	B17-28	034736	B2-74	035745	B15-113, B15-119
034281	B17-18	034450	B17-28	034737	B2-74	035747	B15-113, B15-119
034282	B17-18	034451	B17-28	034738	B2-74	035748	B15-113, B15-119
034283	B17-18	034452	B17-28	034739	B2-74	035749	B15-113, B15-119
034284	B17-18	034453	B17-28	034740	B2-74	035750	B15-113, B15-119
034285	B17-18	034454	B17-26	034741	B2-74	035751	B15-113, B15-119
034286	B17-18	034455	B17-26	034748	B2-71	035752	B15-113, B15-119
034287	B17-18	034456	B17-26	034749	B2-71	035762	B15-50
034288	B17-18	034457	B17-26	034750	B2-71	035763	B15-50
034289	B17-18	034458	B17-26	034751	B2-71	035764	B15-50
034290	B17-18	034459	B17-26	034752	B2-71	035765	B15-50
034291	B17-18	034460	B17-26	034754	B2-71	035766	B15-50
034292	B17-18	034461	B17-26	034755	B2-72	035767	B15-50
034293	B17-20	034462	B17-26	034756	B2-72	035768	B15-50
034294	B17-20	034463	B17-26	034757	B2-72	035769	B15-50
034295	B17-20	034464	B17-26	034758	B2-72	035770	B15-50
034296	B17-20	034465	B17-26	034759	B2-75	035771	B15-51
034297	B17-20	034466	B17-26	034760	B2-75	035772	B15-51
034298	B17-20	034467	B17-26	034761	B2-75	035773	B15-51
034299	B17-20	034468	B17-26	034762	B2-75	035774	B15-51
034300	B17-20	034469	B17-26	034763	B2-75	035775	B15-50
034303	B17-20	034470	B17-26	034765	B2-75	035776	B15-50
034304	B17-20	034471	B17-26	034766	B2-73	035777	B15-50
034305	B17-20	034472	B17-26	034767	B2-73	035778	B15-50
034306	B17-20	034473	B17-26	034768	B2-73	035779	B15-50
034307	B17-20	034525	B17-26	034769	B2-73	035780	B15-50
034308	B17-20	034596	B17-12	034770	B2-73	035781	B15-51
034309	B17-20	034597	B17-12	034772	B2-73	035782	B15-51
034310	B17-20	034598	B17-12	034773	B2-74	035783	B15-51
034313	B17-22	034599	B17-12	034774	B2-74	035784	B15-51
034314	B17-22	034700	B2-71	034775	B2-74	035785	B15-51
034315	B17-22	034701	B2-71	034776	B2-74	035786	B15-51
034316	B17-22	034702	B2-71	035025	B17-55	035787	B15-51
034317	B17-22	034703	B2-71	035026	B17-55	035788	B15-51
034318	B17-22	034704	B2-71	035027	B17-55	035789	B15-51
034319	B17-22	034705	B2-71	035028	B17-55	035790	B15-51
034320	B17-22	034706	B2-71	035029	B17-55	035791	B15-51
034321	B17-22	034709	B2-71	035030	B17-55	035915	B15-112
034322	B17-22	034710	B2-72	035031	B17-56	035916	B15-112
034323	B17-22	034711	B2-72	035032	B17-56	035917	B15-112
034324	B17-22	034712	B2-72	035033	B17-56	035929	B15-95
034325	B17-22	034713	B2-72	035034	B17-56	035930	B15-95
034326	B17-22	034714	B2-72	035035	B17-56	035931	B15-95
034327	B17-22	034715	B2-72	035036	B17-56	035943	B15-85
034328	B17-22	034716	B2-75	035083	B17-56	035944	B15-85
034329	B17-22	034717	B2-75	035107	B17-55	035945	B15-85
034330	B17-22	034718	B2-75	035108	B17-55	035946	B15-85
034331	B17-22	034719	B2-75	035116	B17-56	036054	B11-17
034332	B17-22	034720	B2-75	035117	B17-56	036116	B11-17
034438	B17-28	034721	B2-75	035183	B15-85	036118	B11-17
034439	B17-28	034722	B2-75	035185	B15-85	036119	B11-17
034440	B17-28	034725	B2-75	035417	B15-85	036120	B11-17
034441	B17-28	034726	B2-73	035418	B15-85	036121	B11-17
034442	B17-28	034727	B2-73	035431	B15-95	036180	B19-45
034443	B17-28	034728	B2-73	035432	B15-95	036181	B19-45

PART NUMBER INDEX



Part Number	Page	Part Number	Page	Part Number	Page	Part Number	Page
036182	B19-45	037434	B15-84	037588	B10-59	037642	B10-59, B10-61, B10-63
036183	B19-45	037435	B15-84	037589	B10-59	037643	B10-59, B10-61, B10-63
036184	B19-45	037436	B15-84, B15-85	037590	B10-59	037644	B10-61, B10-63
036185	B19-45	037437	B15-84, B15-85	037591	B10-59	037645	B10-61, B10-63
036186	B19-45	037438	B15-85	037592	B10-59	037646	B10-61, B10-63
036187	B19-45	037439	B15-85	037593	B10-59	037647	B10-61, B10-63
036188	B19-45	037440	B15-85	037594	B10-59	037648	B10-61, B10-63
036193	B19-45	037441	B15-85	037595	B10-59	037649	B10-61, B10-63
036194	B19-45	037442	B15-84	037596	B10-59	037650	B10-64
036196	B19-45	037443	B15-84	037597	B10-59	037651	B10-64
036197	B19-45	037444	B15-84	037598	B10-59	037652	B10-64
036198	B19-45	037446	B15-84	037599	B10-59	037653	B10-64
036199	B19-45	037447	B15-84	037600	B10-59	037654	B10-64
036200	B19-45	037448	B15-84	037601	B10-59	037655	B10-64
036270	B19-45	037449	B15-84, B15-85	037602	B10-59	037656	B10-64
036274	B19-45	037450	B15-84, B15-85	037603	B10-59	037657	B10-64
036350	B19-21	037451	B15-85	037604	B10-61	037658	B10-64
036351	B19-21	037452	B15-85	037605	B10-61	037659	B10-64
036352	B19-21	037461	B15-84	037606	B10-61	037660	B10-64
036353	B19-21	037462	B15-84	037607	B10-61	037673	B10-64
036354	B19-21	037464	B15-84	037608	B10-61	037674	B10-64
036355	B19-21	037465	B15-84	037609	B10-61	037681	B10-66
036356	B19-21	037540	B10-59	037610	B10-61	037682	B10-66
036357	B19-21	037541	B10-59	037611	B10-61	037683	B10-66
036358	B19-21	037542	B10-59	037612	B10-61	037684	B10-66
036359	B19-21	037543	B10-59	037613	B10-61	037685	B10-66
036360	B19-21	037544	B10-59	037614	B10-61	037686	B10-66
036361	B19-21	037545	B10-59	037615	B10-61	037687	B10-66
036362	B19-21	037546	B10-59	037616	B10-61	037688	B10-66
036363	B19-21	037547	B10-59	037617	B10-61	037689	B10-66
036364	B19-21	037548	B10-61, B10-67	037618	B10-61	037690	B10-66
036365	B19-21	037549	B10-61	037619	B10-61	037850	B14-54
036366	B19-21	037550	B10-61, B10-67	037620	B10-61	037851	B14-54
036367	B19-21	037551	B10-61, B10-67	037621	B10-61	037852	B14-54
036567	B5-20	037552	B10-61, B10-67	037622	B10-61	037853	B14-54
037001	B17-48	037553	B10-61, B10-67	037623	B10-61	037854	B14-54
037002	B17-48	037554	B10-61, B10-67	037624	B10-61	037855	B14-54
037003	B17-48	037555	B10-59	037625	B10-61	037856	B14-54
037004	B17-48	037556	B10-59	037626	B10-61	037857	B14-54
037005	B17-48	037557	B10-59	037627	B10-61	037901	B14-54
037006	B17-48	037558	B10-59	037628	B10-61	037902	B14-54
037007	B17-48	037559	B10-59	037629	B10-61	037903	B14-54
037009	B17-48	037560	B10-59	037630	B10-61	037904	B14-54
037010	B17-48	037561	B10-59	037631	B10-61	037905	B14-54
037011	B17-48	037562	B10-59	037632	B10-59, B10-63	037906	B14-54
037012	B17-48	037563	B10-61	037633	B10-59, B10-63	037907	B14-54
037013	B17-48	037564	B10-61	037634	B10-59, B10-63	037908	B14-54
037017	B17-48	037565	B10-61	037635	B10-59, B10-63	037909	B14-54
037020	B17-48	037566	B10-61	037636	B10-59, B10-61, B10-63	037910	B14-54
037022	B17-48	037567	B10-61	037637	B10-59, B10-61, B10-63	037911	B14-54
037024	B17-48	037568	B10-61	037638	B10-59, B10-61, B10-63	037912	B14-54
037026	B17-48	037569	B10-61	037639	B10-59, B10-61, B10-63	037913	B14-54
037426	B15-84	037580	B10-59	037640	B10-59, B10-61, B10-63	037914	B14-54
037427	B15-84	037581	B10-59	037641	B10-59, B10-61, B10-63	037915	B14-54
037428	B15-84, B15-85	037582	B10-59			037916	B14-54
037429	B15-85	037583	B10-59			037917	B14-54
037430	B15-85	037584	B10-59			037918	B14-54
037431	B15-85	037585	B10-59			037919	B14-54
037432	B15-84	037586	B10-59				
037433	B15-84	037587	B10-59				



PART NUMBER INDEX

Part Number	Page	Part Number	Page	Part Number	Page	Part Number	Page
037920	B14-54	038214	B19-11	039097	B19-31, B19-32	039187	B15-101
037921	B14-54	038215	B19-11	039100	B15-48	039189	B15-101
037922	B14-54	038216	B19-11	039101	B15-48	039191	B15-101
037923	B14-54	038217	B19-11	039102	B15-48	039193	B15-101
037924	B14-54	038218	B19-11	039103	B15-48	039195	B15-101
037925	B14-102	038219	B19-11	039104	B15-48	039197	B15-101
037926	B14-102	038220	B19-11	039105	B15-48	039199	B15-101
037927	B14-102	038221	B19-11	039106	B15-48	039201	B15-101
037928	B14-102	038222	B19-11	039107	B15-48	039203	B15-101
037929	B14-102	038223	B19-11	039108	B15-48	039205	B15-101
037930	B14-102	038224	B19-11	039109	B15-49	039207	B15-101
037931	B14-102	038225	B19-11	039110	B15-49	039209	B15-101
037932	B14-102	038226	B19-11	039111	B15-49	039211	B15-101
037933	B14-102	038227	B19-11	039112	B15-49	039213	B15-101
037934	B14-102	038228	B19-11	039113	B15-48	039215	B15-101
037935	B14-102	038229	B19-11	039114	B15-48	039217	B15-33, B15-35
037936	B14-102	038910	B19-31, B19-32	039115	B15-48	039218	B15-33, B15-35
037937	B14-102	038911	B19-31, B19-32	039116	B15-48	039219	B15-33, B15-35
037938	B14-102	038912	B19-31, B19-32	039117	B15-48	039220	B15-33, B15-35
037939	B14-102	038913	B19-31, B19-32	039118	B15-48	039221	B15-33, B15-35
037940	B14-102	038914	B19-31, B19-32	039119	B15-49	039222	B15-33, B15-35
038060	B19-12	038915	B19-31, B19-32	039120	B15-49	039223	B15-33, B15-35
038061	B19-12	038916	B19-31, B19-32	039121	B15-49	039224	B15-33, B15-34, B15-35
038062	B19-12	038917	B19-31, B19-32	039122	B15-49	039225	B15-34, B15-35
038063	B19-12	038918	B19-31, B19-32	039123	B15-49	039226	B15-34, B15-35
038064	B19-12	038919	B19-31, B19-32	039124	B15-49	039227	B15-34, B15-35
038070	B19-12	038920	B19-31, B19-32	039125	B15-49	039228	B15-34, B15-35
038071	B19-12	038921	B19-31, B19-32	039126	B15-49	039289	B15-103, B15-106, B15-113, B15-119
038072	B19-12	038922	B19-31, B19-32	039127	B15-49	039290	B15-119
038073	B19-12	038923	B19-31, B19-32	039128	B15-49	039291	B15-103, B15-106, B15-113, B15-119
038074	B19-12	038924	B19-31, B19-32	039129	B15-49	039292	B15-103, B15-106, B15-113, B15-119
038075	B19-12	038925	B19-31, B19-32	039138	B15-33	039297	B15-103, B15-106, B15-115, B15-119
038076	B19-12	038926	B19-31, B19-32	039141	B15-33	039355	B15-112
038077	B19-12	038927	B19-31, B19-32	039142	B15-33	039356	B15-112
038078	B19-12	038928	B19-31, B19-32	039147	B15-33	039357	B15-112
038109	B19-8	038929	B19-31, B19-32	039148	B15-33	039358	B15-112
038110	B19-8	038930	B19-31, B19-32	039151	B15-33	039359	B15-112
038111	B19-8	038932	B19-31, B19-32	039152	B15-33	039360	B15-112
038112	B19-8	039002	B19-31, B19-32	039155	B15-33	039361	B15-112
038113	B19-8	039003	B19-31, B19-32	039156	B15-33	039362	B15-112
038114	B19-8	039004	B19-31, B19-32	039159	B15-33	039371	B15-112
038115	B19-8	039005	B19-31, B19-32	039160	B15-33	039372	B15-112
038116	B19-8	039006	B19-31, B19-32	039163	B15-33	039373	B15-112
038117	B19-8	039007	B19-31, B19-32	039164	B15-34	039374	B15-112
038118	B19-8	039008	B19-31, B19-32	039165	B15-34	039375	B15-112
038119	B19-8	039009	B19-31, B19-32	039166	B15-34	039376	B15-112
038200	B19-11	039010	B19-31, B19-32	039167	B15-34	039377	B15-114
038201	B19-11	039011	B19-31, B19-32	039168	B15-34	039378	B15-114
038202	B19-11	039012	B19-31, B19-32	039169	B15-34	039380	B15-114
038203	B19-11	039013	B19-31, B19-32	039170	B15-34	039381	B15-114
038204	B19-11	039014	B19-31, B19-32	039171	B15-34	039382	B15-114
038205	B19-11	039015	B19-31, B19-32	039172	B15-34	039383	B15-114
038206	B19-11	039016	B19-31, B19-32	039173	B15-34	039384	B15-114
038207	B19-11	039017	B19-31, B19-32	039174	B15-34	039385	B15-114
038208	B19-11	039018	B19-31, B19-32	039175	B15-101	039386	B15-114
038209	B19-11	039019	B19-31, B19-32	039177	B15-101		
038210	B19-11	039043	B19-31, B19-32	039179	B15-101		
038211	B19-11	039044	B19-31, B19-32	039181	B15-101		
038212	B19-11	039073	B19-31, B19-32	039183	B15-101		
038213	B19-11	039084	B19-31, B19-32	039185	B15-101		

PART NUMBER INDEX



Part Number	Page	Part Number	Page	Part Number	Page	Part Number	Page
039404	B15-95	039602	B15-33	039743	B15-112	039866	B15-29, B15-33, B15-41, B15-54, B15-95
039405	B15-95	039603	B15-33	039745	B15-114		
039406	B15-95	039604	B15-33	039747	B15-114	039867	B15-29, B15-33, B15-41
039407	B15-95	039605	B15-33	039749	B15-114		
039413	B15-95	039606	B15-28	039750	B15-114	040001	B17-57
039414	B15-95	039665	B15-32, B15-35	039751	B15-114	040002	B17-57
039415	B15-95	039666	B15-32, B15-35	039752	B15-114	040003	B17-57
039416	B15-95	039667	B15-32, B15-35	039753	B15-114	040004	B17-57
039417	B15-95	039668	B15-32, B15-35	039754	B15-114	040005	B17-57
039419	B15-95	039669	B15-26, B15-35, B15-48, B15-50, B15-52, B15-77	039755	B15-114	040006	B17-57
039420	B15-95			039760	B15-95	040007	B17-57
039421	B15-95	039670	B15-32, B15-35	039762	B15-35, B15-95	040008	B17-57
039422	B15-95	039671	B15-32, B15-35	039764	B15-95	040009	B17-57
039423	B15-95	039672	B15-32, B15-35	039766	B15-95	040010	B17-57
039424	B15-95	039673	B15-32, B15-35	039768	B15-95	040011	B17-57
039425	B15-95	039674	B15-32, B15-35	039770	B15-95	040012	B17-57
039426	B15-95	039675	B15-32, B15-33, B15-35	039772	B15-95	040013	B17-57
039427	B15-95			039774	B15-95	040014	B17-57
039508	B15-32, B15-35	039676	B15-32, B15-33, B15-35	039776	B15-95	040015	B17-57
039509	B15-32, B15-35			039780	B15-95	040016	B17-57
039515	B15-103, B15-106, B15-113, B15-119	039677	B15-33, B15-35	039781	B15-95	040017	B17-57
039530	B15-27, B15-32, B15-41, B15-54, B15-95	039678	B15-33, B15-35	039782	B15-95	040018	B17-57
039538	B15-27, B15-32, B15-41, B15-54, B15-95	039679	B15-33, B15-35	039783	B15-95	040019	B17-57
039544	B15-32, B15-35	039680	B15-33, B15-35	039784	B15-95	040020	B17-57
039545	B15-32, B15-35	039681	B15-28, B15-35	039785	B15-95	040021	B17-57
039553	B15-95	039682	B15-101	039852	B15-27, B15-32, B15-41	040022	B17-57
039568	B15-103, B15-106, B15-113	039684	B15-101	039853	B15-27, B15-32, B15-41	040023	B17-57
039575	B15-32	039686	B15-101	039854	B15-27, B15-32, B15-41	040024	B17-57
039576	B15-32	039688	B15-101			040025	B17-57
039577	B15-32	039690	B15-101	039855	B15-27, B15-32, B15-41, B15-95	040026	B17-57
039578	B15-32	039692	B15-101	039856	B15-27, B15-32, B15-41	040027	B17-57
039579	B15-26	039694	B15-101	039857	B15-27, B15-32, B15-41, B15-103, B15-106, B15-113, B15-119	040028	B17-57
039580	B15-32	039696	B15-101			040029	B17-57
039581	B15-32	039698	B15-101	039858	B15-27, B15-32, B15-41	040030	B17-57
039582	B15-32, B15-95	039700	B15-101			040031	B17-57
039583	B15-32, B15-95	039702	B15-101	039859	B15-29, B15-32, B15-41, B15-54, B15-95	040032	B17-57
039584	B15-32	039704	B15-101			040033	B17-57
039585	B15-32	039706	B15-101	039860	B15-29, B15-33, B15-41	040034	B17-57
039586	B15-32	039708	B15-101			040681	B15-29, B15-41, B15-69, B15-95, B15-103, B15-106, B15-115, B15-119
039587	B15-32	039710	B15-101	039861	B15-29, B15-33, B15-41, B15-54		
039588	B15-32	039711	B15-101	039862	B15-29, B15-33, B15-41	040682	B15-29, B15-41, B15-69, B15-103, B15-106, B15-115, B15-119
039589	B15-32	039712	B15-101			040683	B15-29, B15-41, B15-69, B15-95, B15-103, B15-106
039590	B15-32	039713	B15-101	039863	B15-29, B15-33, B15-41, B15-95, B15-103, B15-106, B15-115, B15-119		
039591	B15-32	039714	B15-101			040684	B15-29, B15-41, B15-69, B15-103, B15-106
039592	B15-32	039715	B15-101	039864	B15-29, B15-33, B15-41, B15-54, B15-95		
039593	B15-32	039716	B15-101			040685	B15-29, B15-31, B15-41, B15-69
039594	B15-32	039717	B15-101	039865	B15-29, B15-33, B15-41		
039595	B15-32	039719	B15-112			040687	B15-106
039596	B15-32	039721	B15-112			040689	B15-31
039597	B15-33	039723	B15-112			040690	B15-29, B15-33, B15-41, B15-69
039598	B15-33	039725	B15-112				
039599	B15-33	039727	B15-112				
039600	B15-33	039729	B15-112				
039601	B15-33	039731	B15-112				
		039733	B15-112				
		039735	B15-112				
		039737	B15-112				
		039739	B15-112				
		039741	B15-112				



PART NUMBER INDEX

Part Number	Page	Part Number	Page	Part Number	Page	Part Number	Page
040691	B15-41, B15-69, B15-103, B15-115	040713	B15-29, B15-41, B15-69, B15-95, B15-103, B15-106, B15-115, B15-119	041161	B15-45, B15-125	042006	B15-64
040700	B15-27, B15-41, B15-48, B15-50, B15-113, B15-119	040714	B15-29, B15-41, B15-69, B15-95	041172	B15-45, B15-125	042007	B15-64
040701	B15-27, B15-41, B15-48, B15-50, B15-95, B15-113, B15-119	040830	B15-85, B15-93	041173	B15-45, B15-125	042008	B15-64
040702	B15-27, B15-41, B15-48, B15-50, B15-69, B15-95, B15-113, B15-119	040838	B15-101, B15-111	041174	B15-45, B15-125	042009	B15-64
040703	B15-27, B15-41, B15-48, B15-50, B15-69, B15-95, B15-113, B15-119	040850	B15-125	041175	B15-45, B15-125	042010	B15-64
040704	B15-27, B15-41, B15-48, B15-50, B15-69, B15-95	040890	B15-27, B15-32, B15-41, B15-69	041176	B15-45, B15-125	042011	B15-64
040705	B15-27, B15-41, B15-48, B15-50, B15-69, B15-95, B15-103, B15-106, B15-113, B15-119	040891	B15-27, B15-32, B15-41, B15-69	041177	B15-45, B15-125	042015	B15-65
040706	B15-27, B15-41, B15-48, B15-49, B15-50, B15-51, B15-69, B15-95, B15-103, B15-106, B15-113, B15-119	040892	B15-27, B15-32, B15-41, B15-69	041178	B15-45, B15-125	042016	B15-65
040707	B15-27, B15-41, B15-49, B15-51, B15-69	040893	B15-29, B15-33, B15-41, B15-69	041179	B15-45, B15-125	042017	B15-65
040708	B15-29, B15-41, B15-49, B15-51, B15-69, B15-95	040894	B15-29, B15-33, B15-41, B15-69	041180	B15-45, B15-125	042019	B15-65
040709	B15-29, B15-41, B15-49, B15-51, B15-69, B15-103, B15-106, B15-115, B15-119	040895	B15-29, B15-33, B15-41, B15-69	041181	B15-45, B15-125	042020	B15-65
040710	B15-29, B15-41, B15-49, B15-51, B15-69, B15-95, B15-103, B15-106, B15-115, B15-119	040896	B15-29, B15-33, B15-41, B15-69	041182	B15-45, B15-125	042021	B15-65
040711	B15-29, B15-41, B15-49, B15-51, B15-69, B15-95, B15-103, B15-106, B15-115, B15-119	040897	B15-31, B15-34, B15-41, B15-69	041183	B15-45, B15-125	042022	B15-65
040712	B15-29, B15-41, B15-49, B15-51, B15-69, B15-95, B15-103, B15-106, B15-115, B15-119	040898	B15-31, B15-34, B15-41, B15-69	041184	B15-45, B15-125	042023	B15-65
		040899	B15-41, B15-69, B15-84, B15-91	041185	B15-45, B15-125	042024	B15-65
		040900	B15-31, B15-34, B15-41, B15-69, B15-84, B15-91	041186	B15-45, B15-125	042025	B15-65
		040901	B15-31, B15-34, B15-41, B15-69, B15-84, B15-91	041213	B15-45, B15-125	042028	B15-103, B15-106
		040918	B15-27, B15-32, B15-41, B15-69	041628	B15-30	042029	B15-103, B15-106
		040919	B15-29, B15-33, B15-41, B15-69	041646	B15-29, B15-33, B15-41, B15-69	042030	B15-65
		040995	B15-31, B15-34, B15-41, B15-69, B15-84, B15-91	041685	B15-41	042031	B15-103, B15-106, B15-115, B15-119
		041064	B15-101, B15-111, B15-114, B15-124	041686	B15-41	042032	B15-103, B15-106, B15-115, B15-119
		041065	B15-101, B15-111, B15-114, B15-124	041687	B15-27, B15-32, B15-41, B15-69	042036	B15-31, B15-34, B15-41, B15-69, B15-84, B15-91
		041066	B15-101, B15-111, B15-114, B15-124	041688	B15-27, B15-32, B15-41, B15-69	042037	B15-84, B15-91
		041067	B15-101, B15-111, B15-114, B15-124	041860	B15-26	042038	B15-84, B15-91
		041068	B15-101, B15-111, B15-114, B15-124	041861	B15-26	042039	B15-84, B15-91
		041069	B15-101, B15-111	041862	B15-26	042040	B15-84, B15-91
		041070	B15-101, B15-111	041863	B15-26	042049	B15-103, B15-106, B15-115, B15-119
		041071	B15-101, B15-111, B15-114, B15-124	041864	B15-26	042085	B15-103, B15-106, B15-115, B15-119
		041072	B15-101, B15-111, B15-114, B15-124	041865	B15-26	042088	B15-103, B15-106, B15-113, B15-119
		041082	B15-31, B15-34, B15-41, B15-69	041866	B15-26	042089	B15-103, B15-106, B15-113, B15-119
				041867	B15-26	042090	B15-85, B15-91
				041868	B15-28	042091	B15-85, B15-91
				041869	B15-28	042092	B15-85, B15-91
				041870	B15-28	042093	B15-85, B15-91
				041871	B15-28	042094	B15-85, B15-91
				041872	B15-28	042095	B15-85, B15-91
				041873	B15-28	042098	B15-103, B15-106, B15-115, B15-119
				041874	B15-28	042100	B15-67
				041875	B15-28	042103	B15-67
				041876	B15-28	042106	B15-67
				041877	B15-28	042109	B15-67
				041878	B15-28	042111	B15-67
				041879	B15-28	042114	B15-67
				041880	B15-28	042116	B15-67
				041881	B15-28	042119	B15-67
				041882	B15-28	042121	B15-67
				041883	B15-28	042124	B15-67
				041884	B15-28	042126	B15-67
				041885	B15-28	042129	B15-67
				041886	B15-28	042131	B15-67
				041887	B15-30	042134	B15-67
				041987	B15-45, B15-125		
				042001	B15-64		
				042002	B15-64		
				042003	B15-64		
				042004	B15-64		
				042005	B15-64		

PART NUMBER INDEX



Part Number	Page	Part Number	Page	Part Number	Page	Part Number	Page
042137	B15-67	042380	B15-27, B15-32, B15-41, B15-54, B15-69	042416	B15-61	042516	B15-27, B15-32, B15-41, B15-50, B15-52, B15-69, B15-95
042140	B15-67			042417	B15-61		
042143	B15-67	042381	B15-27, B15-32, B15-41, B15-69	042420	B15-61	042517	B15-27, B15-32, B15-41, B15-50, B15-69
042146	B15-67			042421	B15-61		
042149	B15-67	042382	B15-27, B15-32, B15-41, B15-54, B15-69	042422	B15-26	042518	B15-27, B15-32, B15-41, B15-50, B15-69
042152	B15-67			042423	B15-26		
042155	B15-67	042383	B15-29, B15-32, B15-41, B15-54, B15-69	042424	B15-61	042519	B15-27, B15-32, B15-41, B15-51, B15-69, B15-103, B15-106, B15-113, B15-119
042158	B15-67			042425	B15-61		
042161	B15-67	042384	B15-29, B15-33, B15-41, B15-54, B15-69	042428	B15-61	042520	B15-27, B15-32, B15-41, B15-51, B15-52, B15-69
042164	B15-67			042430	B15-61		
042167	B15-67	042385	B15-29, B15-33, B15-41, B15-54, B15-69	042431	B15-28	042521	B15-29, B15-32, B15-41, B15-51, B15-52, B15-54, B15-69, B15-95
042193	B15-27, B15-32, B15-41, B15-50, B15-52, B15-113, B15-119			042432	B15-61	042522	B15-29, B15-33, B15-41, B15-51, B15-69
042199	B15-27, B15-32, B15-41, B15-50, B15-52, B15-95, B15-113, B15-119	042386	B15-29, B15-33, B15-41, B15-69	042433	B15-61	042523	B15-29, B15-33, B15-41, B15-51, B15-52, B15-54, B15-69
042220	B15-103, B15-106			042436	B15-61	042524	B15-29, B15-33, B15-41, B15-51, B15-69
042221	B15-103, B15-106	042387	B15-29, B15-33, B15-41, B15-54, B15-69	042438	B15-28	042525	B15-29, B15-33, B15-41, B15-51, B15-69, B15-95, B15-103, B15-106, B15-115, B15-119
042248	B15-103, B15-106, B15-115, B15-119			042439	B15-61		
042249	B15-103, B15-106, B15-115, B15-119	042388	B15-29, B15-41, B15-69	042440	B15-61	042526	B15-29, B15-33, B15-41, B15-51, B15-54, B15-69, B15-95
042270	B15-65			042443	B15-61	042527	B15-29, B15-33, B15-41, B15-51, B15-69, B15-103, B15-106, B15-115, B15-119
042271	B15-65	042389	B15-29, B15-33, B15-41, B15-54, B15-69	042444	B15-28	042528	B15-29, B15-33, B15-41, B15-51, B15-54, B15-69, B15-95, B15-103, B15-106, B15-115, B15-119
042272	B15-65			042445	B15-28		
042273	B15-65	042390	B15-29, B15-33, B15-41, B15-69	042446	B15-61	042529	B15-29, B15-33, B15-41, B15-51, B15-69
042274	B15-65			042447	B15-30		
042282	B15-65	042391	B15-29, B15-33, B15-41, B15-69	042448	B15-30		
042283	B15-65			042449	B15-30		
042283	B15-65	042392	B15-29, B15-33, B15-41, B15-54, B15-69	042450	B15-61		
042284	B15-65			042453	B15-30		
042303	B15-65	042393	B15-29, B15-33, B15-41, B15-69	042454	B15-30		
042304	B15-65			042455	B15-61		
042305	B15-65	042394	B15-31, B15-34, B15-41, B15-69	042458	B15-30		
042306	B15-65			042460	B15-61		
042307	B15-65	042395	B15-31, B15-34, B15-41, B15-69	042463	B15-30	042510	B15-31, B15-34, B15-41, B15-69, B15-84, B15-91
042308	B15-65			042464	B15-30		
042309	B15-65	042396	B15-31, B15-34, B15-41, B15-69, B15-84, B15-91	042466	B15-30	042511	B15-31, B15-34, B15-41, B15-69
042315	B15-45, B15-125			042468	B15-61	042512	B15-27, B15-32, B15-41, B15-50, B15-52, B15-69, B15-95, B15-113, B15-119
042316	B15-45, B15-52, B15-125	042397	B15-41, B15-69	042469	B15-61		
042335	B15-45, B15-125			042472	B15-61	042513	B15-27, B15-32, B15-41, B15-50, B15-52, B15-69, B15-95
042368	B15-31, B15-41, B15-69	042400	B15-61	042477	B15-61		
042369	B15-31, B15-41, B15-69	042401	B15-61	042510	B15-31, B15-34, B15-41, B15-69, B15-84, B15-91	042516	B15-27, B15-32, B15-41, B15-50, B15-52, B15-69, B15-95
042370	B15-65	042402	B15-61				
042371	B15-65	042403	B15-61	042511	B15-31, B15-34, B15-41, B15-69	042517	B15-27, B15-32, B15-41, B15-50, B15-52, B15-54, B15-69, B15-95
042372	B15-65	042404	B15-61	042512	B15-27, B15-32, B15-41, B15-50, B15-52, B15-54, B15-69, B15-95	042518	B15-27, B15-32, B15-41, B15-51, B15-69, B15-103, B15-106, B15-115, B15-119
042373	B15-65	042405	B15-61			042519	B15-27, B15-32, B15-41, B15-51, B15-69, B15-95
042374	B15-65	042406	B15-26	042513	B15-27, B15-32, B15-41, B15-50, B15-52, B15-54, B15-69, B15-95	042520	B15-27, B15-32, B15-41, B15-51, B15-52, B15-69
042375	B15-65	042407	B15-61			042521	B15-29, B15-32, B15-41, B15-51, B15-52, B15-54, B15-69, B15-95
042376	B15-65	042408	B15-61	042514	B15-27, B15-32, B15-41, B15-50, B15-52, B15-54, B15-69, B15-95	042522	B15-29, B15-33, B15-41, B15-51, B15-69
042377	B15-65	042409	B15-26			042523	B15-29, B15-33, B15-41, B15-51, B15-69
042378	B15-65	042410	B15-61	042515	B15-27, B15-32, B15-41, B15-50, B15-69	042524	B15-29, B15-33, B15-41, B15-51, B15-69
042379	B15-65	042411	B15-61			042525	B15-29, B15-33, B15-41, B15-51, B15-69, B15-95, B15-103, B15-106, B15-115, B15-119
		042412	B15-61			042526	B15-29, B15-33, B15-41, B15-51, B15-54, B15-69, B15-95
		042413	B15-61			042527	B15-29, B15-33, B15-41, B15-51, B15-69, B15-103, B15-106, B15-115, B15-119
		042414	B15-61			042528	B15-29, B15-33, B15-41, B15-51, B15-54, B15-69, B15-95, B15-103, B15-106, B15-115, B15-119
		042415	B15-61			042529	B15-29, B15-33, B15-41, B15-51, B15-69



PART NUMBER INDEX

Part Number	Page	Part Number	Page	Part Number	Page	Part Number	Page
042531	B15-29, B15-33, B15-41, B15-69, B15-95	042629	B10-61	043544	B15-27, B15-32, B15-41, B15-48, B15-69, B15-95	043560	B15-29, B15-33, B15-41, B15-54, B15-69, B15-95
042532	B15-29, B15-33, B15-41, B15-69	042630	B10-61, B10-67	043545	B15-27, B15-32, B15-41, B15-48, B15-69	043561	B15-29, B15-33, B15-41, B15-69, B15-95
042533	B15-29, B15-33, B15-41, B15-54, B15-69, B15-95	042631	B10-61		043546		B15-27, B15-32, B15-41, B15-48, B15-69
042534	B15-29, B15-33, B15-41, B15-69, B15-95	042632	B10-61	043547	B15-27, B15-32, B15-41, B15-49, B15-69, B15-103, B15-106, B15-119	043563	B15-29, B15-33, B15-41, B15-69
042535	B15-29, B15-33, B15-41, B15-69, B15-103, B15-106, B15-115, B15-119	042633	B10-61		043548		B15-27, B15-32, B15-41, B15-49, B15-69
042536	B15-29, B15-33, B15-41, B15-69	042634	B10-61, B10-67	043549	B15-29, B15-32, B15-41, B15-49, B15-69	043565	B15-29, B15-33, B15-41, B15-69, B15-95, B15-103, B15-106, B15-115, B15-119
042537	B15-29, B15-33, B15-41, B15-54, B15-69, B15-95	043015	B15-26		043550		B15-29, B15-33, B15-41, B15-49, B15-69
042538	B15-29, B15-33, B15-41, B15-69, B15-95, B15-103, B15-106, B15-115, B15-119	043048	B15-26	043551	B15-29, B15-33, B15-41, B15-49, B15-69	043567	B15-29, B15-33, B15-41, B15-69
042539	B15-29, B15-33, B15-41, B15-69	043109	B15-29, B15-33, B15-41, B15-69		043552		B15-29, B15-33, B15-41, B15-49, B15-69
042540	B15-29, B15-33, B15-41, B15-69	043248	B15-26	043553	B15-29, B15-33, B15-41, B15-49, B15-69	043569	B15-31, B15-34, B15-41, B15-69
042541	B15-31, B15-34, B15-41, B15-69	043249	B15-26		043554		B15-29, B15-33, B15-41, B15-49, B15-69
042542	B15-31, B15-34, B15-41, B15-69	043386	B15-29, B15-33, B15-41, B15-69	043555	B15-29, B15-33, B15-41, B15-49, B15-69, B15-103, B15-106, B15-115, B15-119	043571	B15-31, B15-34, B15-41, B15-69, B15-84, B15-91
042543	B15-31, B15-34, B15-41, B15-69	043393	B15-77, B15-81		043556		B15-29, B15-33, B15-41, B15-49, B15-69
042544	B15-31, B15-34, B15-41, B15-69, B15-84, B15-91	043400	B15-77, B15-81	043557	B15-29, B15-33, B15-41, B15-49, B15-69	043573	B15-31, B15-34, B15-41, B15-69
042545	B15-31, B15-34, B15-41, B15-69, B15-84, B15-91	043401	B15-77		043558		B15-29, B15-33, B15-41, B15-49, B15-69
042547	B15-113	043402	B15-77, B15-81	043559	B15-29, B15-33, B15-41, B15-49, B15-69, B15-103, B15-106, B15-115, B15-119	043575	B15-31, B15-34, B15-41, B15-69
042562	B15-33	043403	B15-77, B15-81		043576		B15-27, B15-32, B15-41, B15-48, B15-69, B15-95
042568	B15-61	043404	B15-77, B15-81	043578	B15-29, B15-33, B15-41, B15-49, B15-69	043579	B15-27, B15-32, B15-41, B15-48, B15-95, B15-113, B15-119
042569	B15-61	043405	B15-77, B15-81		043579		B15-29, B15-33, B15-41, B15-49, B15-69
042570	B15-61	043406	B15-77, B15-81	043581	B15-29, B15-33, B15-41, B15-49, B15-69	043582	B15-84, B15-93
042571	B15-61	043407	B15-77, B15-81		043582		B15-84, B15-93
042572	B15-61	043408	B15-77, B15-81	043583	B15-29, B15-33, B15-41, B15-49, B15-69	043584	B15-84, B15-93
042573	B15-61	043410	B15-77, B15-81		043584		B15-84, B15-93
042574	B15-61	043411	B15-77, B15-81	043585	B15-29, B15-33, B15-41, B15-49, B15-69	043586	B15-31, B15-44, B15-71
042575	B15-61	043412	B15-77, B15-81		043586		B15-29, B15-33, B15-41, B15-49, B15-69
042576	B15-61	043421	B15-77				
042577	B15-61	043501	B15-77, B15-80				
042578	B15-61	043502	B15-77, B15-80				
042579	B15-61	043504	B15-77, B15-80				
042580	B15-61	043506	B15-77, B15-80				
042581	B15-61	043508	B15-77, B15-80				
042594	B15-34, B15-69	043509	B15-77, B15-80				
042627	B10-61	043511	B15-77, B15-80				
042628	B10-61, B10-67	043512	B15-77, B15-80				
		043513	B15-77, B15-80				
		043514	B15-77, B15-80				
		043516	B15-77, B15-80				
		043519	B15-77, B15-80				
		043520	B15-77, B15-80				
		043521	B15-77, B15-80				
		043522	B15-80				
		043538	B15-31, B15-34, B15-41, B15-69, B15-84, B15-91				
		043540	B15-27, B15-32, B15-41, B15-48, B15-69, B15-95, B15-113, B15-119				
		043541	B15-27, B15-32, B15-41, B15-48, B15-69, B15-95				
		043542	B15-27, B15-32, B15-41, B15-48, B15-54, B15-69, B15-95				
		043543	B15-27, B15-32, B15-41, B15-48, B15-69				

PART NUMBER INDEX



Part Number	Page	Part Number	Page	Part Number	Page	Part Number	Page
043618	B15-29, B15-33, B15-44, B15-71	043978	B15-77	044165	B15-85	045949	B15-103, B15-106, B15-115, B15-119
043619	B15-29, B15-33, B15-44, B15-71	043995	B15-26, B15-35, B15-48, B15-50, B15-52	044166	B15-85	045951	B15-103, B15-106, B15-115, B15-119
043620	B15-29, B15-33, B15-44, B15-54, B15-71	043996	B15-26, B15-35, B15-48, B15-50, B15-52	044198	B15-26, B15-35, B15-48, B15-50, B15-52, B15-77	045953	B15-103, B15-106, B15-115, B15-119
043621	B15-29, B15-33, B15-44, B15-71	043997	B15-26, B15-35, B15-48, B15-50, B15-52	044199	B15-26, B15-35, B15-49, B15-51, B15-52, B15-77	045955	B15-103, B15-106
043622	B15-29, B15-33, B15-44, B15-71	043998	B15-26, B15-48, B15-50, B15-52, B15-77	044200	B15-30, B15-35	045956	B15-103, B15-106
043623	B15-29, B15-33, B15-44, B15-71	044000	B15-26, B15-35, B15-48, B15-50, B15-52, B15-77	044201	B15-30, B15-35	046110	B15-77
043624	B15-29, B15-33, B15-44, B15-54, B15-71	044003	B15-26, B15-35, B15-48, B15-50, B15-52, B15-77	044202	B15-28, B15-35, B15-49, B15-51, B15-77	046166	B15-113, B15-119
043625	B15-29, B15-33, B15-44, B15-71	044007	B15-26, B15-35, B15-48, B15-50, B15-52, B15-77	044203	B15-28, B15-35	046167	B15-113, B15-119
043626	B15-29, B15-33, B15-44, B15-71	044010	B15-26, B15-35, B15-48, B15-50, B15-51, B15-52, B15-77	044231	B15-61	046168	B15-113, B15-119
043627	B15-29, B15-33, B15-44, B15-71	044013	B15-26, B15-35, B15-48, B15-49, B15-50, B15-51, B15-52	044232	B15-61	046175	B15-113, B15-119
043628	B15-31, B15-44, B15-71	044015	B15-26	044233	B15-61	046176	B15-113, B15-119
043629	B15-31, B15-44, B15-71	044020	B15-28, B15-35, B15-49, B15-51, B15-52, B15-77	044234	B15-61	046177	B15-113, B15-119
043630	B15-31, B15-44, B15-71	044023	B15-28, B15-35, B15-49, B15-51, B15-52, B15-77	044235	B15-61	046219	B16-34, B16-35
043631	B15-31, B15-44, B15-71	044025	B15-28, B15-35, B15-49, B15-51, B15-52, B15-77	044236	B15-61	046221	B16-34, B16-35
043632	B15-31, B15-44, B15-71	044031	B15-28, B15-35, B15-49, B15-51, B15-77	044360	B15-29, B15-33, B15-41, B15-69	046222	B16-34, B16-35
043633	B15-31, B15-44, B15-71	044034	B15-28, B15-35, B15-49, B15-51, B15-77	044440	B15-84, B15-91	046223	B16-34, B16-35
043634	B15-29, B15-33, B15-44, B15-71	044040	B15-28, B15-35, B15-77	045338	B2-42	046224	B16-34, B16-35
043635	B15-85, B15-93	044043	B15-28, B15-35, B15-77	045412	B2-42	046225	B16-34, B16-35
043636	B15-85, B15-93	044046	B15-28, B15-35	045431	B15-84, B15-93	046226	B16-34, B16-35
043637	B15-85, B15-93	044049	B15-28, B15-35	045434	B15-85, B15-93	046227	B16-34, B16-35
043638	B15-85, B15-93	044054	B15-28, B15-35	045464	B15-84, B15-93	046228	B16-34
043639	B15-85, B15-93	044055	B15-28, B15-30, B15-35	045600	B2-42	046229	B16-34
043640	B15-85, B15-93	044114	B15-26, B15-35, B15-49, B15-51, B15-52, B15-77	045601	B2-42	046230	B16-34
043958	B15-77	044115	B15-26	045602	B2-42	046231	B16-34
043959	B15-77	044164	B15-85	045603	B2-42	046232	B16-34
043960	B15-77			045604	B2-42	046233	B16-45, B16-49
043961	B15-77			045605	B2-42	046234	B16-45, B16-49
043962	B15-77			045606	B2-42	046235	B16-45, B16-49
043963	B15-77			045607	B2-42	046236	B16-45, B16-49
043964	B15-77			045677	B2-42	046237	B16-45, B16-49
043965	B15-77			045778	B15-84, B15-91	046238	B16-37
043966	B15-77			045781	B15-84, B15-91	046239	B16-37
043967	B15-77			045784	B15-84, B15-91	046285	B16-31, B16-37
043968	B15-77			045787	B15-84, B15-91	046286	B16-31, B16-37
043969	B15-77			045788	B15-84, B15-91	046287	B16-31, B16-37
043970	B15-77			045790	B15-84, B15-91	046288	B16-31, B16-37
043971	B15-77			045793	B15-85, B15-91	046289	B16-31, B16-37
043972	B15-77			045796	B15-85, B15-91	046290	B16-31, B16-37
043974	B15-77			045799	B15-85, B15-91	046291	B16-31, B16-37
043976	B15-77			045802	B15-85, B15-91	046292	B16-31
043977	B15-77			045805	B15-85, B15-91	046293	B16-31, B16-37
				045808	B15-85, B15-91	046294	B16-31
				045874	B4-90, B4-94	046295	B16-31
				045927	B15-103, B15-106, B15-113, B15-119	046296	B16-31
				045928	B15-103, B15-106, B15-113, B15-119	046297	B16-31
				045931	B15-103, B15-106, B15-113, B15-119	046298	B16-31
				045934	B15-103, B15-106	046299	B16-31
				045936	B15-103, B15-106	046304	B16-31, B16-37
				045939	B15-103, B15-106, B15-115, B15-119	046305	B16-31, B16-37
				045943	B15-103, B15-106, B15-115, B15-119	046306	B16-31, B16-37
						046307	B16-31, B16-37
						046308	B16-31, B16-37
						046309	B16-31, B16-37
						046310	B16-31, B16-37
						046311	B16-31
						046312	B16-31, B16-37
						046313	B16-31



PART NUMBER INDEX

Part Number	Page	Part Number	Page	Part Number	Page	Part Number	Page
046314	B16-31	046363	B15-29, B15-33, B15-44, B15-49, B15-51, B15-52, B15-54, B15-71	046432	B15-29, B15-33, B15-44, B15-49, B15-51, B15-71	046634	B15-45, B15-125
046315	B16-31					046635	B15-45, B15-125
046316	B16-31			046433	B15-29, B15-33, B15-44, B15-49, B15-51, B15-54, B15-71	046637	B15-45, B15-125
046317	B16-31	046364	B15-29, B15-33, B15-44, B15-49, B15-51, B15-71			046638	B15-45, B15-125
046318	B16-31			046434	B15-29, B15-33, B15-44, B15-49, B15-51, B15-71	046639	B15-45, B15-125
046323	B15-67	046400	B15-103, B15-106, B15-113, B15-119			046642	B15-45, B15-125
046324	B15-67			046463	B15-113, B15-119	046643	B15-45, B15-125
046325	B15-67	046401	B15-103, B15-106, B15-113, B15-119	046464	B15-113, B15-119	046680	B15-95, B15-99
046326	B15-67			046465	B15-113, B15-119	046682	B15-95, B15-99
046331	B16-34, B16-35	046402	B15-103, B15-106, B15-113, B15-119	046466	B15-113, B15-119	046710	B16-39
046332	B16-34, B16-35			046467	B15-113, B15-119	046711	B16-39
046333	B16-34, B16-35	046403	B15-103, B15-106, B15-113, B15-119	046468	B15-113, B15-119	046712	B16-39
046350	B15-27, B15-32, B15-44, B15-48, B15-50, B15-52	046404	B15-103, B15-106, B15-113, B15-119	046469	B15-113, B15-119	046713	B16-39
046351	B15-27, B15-32, B15-44, B15-48, B15-50, B15-52	046405	B15-103, B15-106	046470	B15-113, B15-119	046714	B16-39
046352	B15-27, B15-32, B15-44, B15-48, B15-50, B15-52, B15-71	046406	B15-103, B15-106	046471	B15-113, B15-119	046715	B16-39
046353	B15-27, B15-32, B15-44, B15-48, B15-50, B15-52, B15-71	046407	B15-103, B15-106, B15-115, B15-119	046472	B15-113, B15-119	046717	B16-39
046354	B15-27, B15-32, B15-44, B15-48, B15-50, B15-52, B15-54, B15-71	046408	B15-103, B15-106, B15-115, B15-119	046473	B15-113, B15-119	046718	B16-39
046355	B15-27, B15-32, B15-44, B15-48, B15-50, B15-71	046409	B15-103, B15-106, B15-115, B15-119	046474	B15-113, B15-119	046719	B16-35, B16-39
046356	B15-27, B15-32, B15-44, B15-48, B15-50, B15-52, B15-71	046410	B15-103, B15-106, B15-115, B15-119	046475	B15-113, B15-119	046720	B16-35, B16-39
046357	B15-27, B15-32, B15-44, B15-48, B15-50, B15-71	046411	B15-103, B15-106, B15-115, B15-119	046476	B15-113, B15-119	046721	B16-35
046358	B15-27, B15-32, B15-44, B15-48, B15-50, B15-52, B15-54, B15-71	046412	B15-103, B15-106, B15-115, B15-119	046477	B15-113, B15-119	046722	B16-35
046359	B15-27, B15-32, B15-44, B15-49, B15-51, B15-71	046413	B15-103, B15-106, B15-115, B15-119	046478	B15-113, B15-119	046723	B16-35
046360	B15-27, B15-32, B15-44, B15-49, B15-51, B15-52, B15-71	046414	B15-103, B15-106, B15-115, B15-119	046487	B16-31, B16-37	046751	B15-123
046361	B15-29, B15-32, B15-44, B15-49, B15-51, B15-52, B15-54, B15-71	046415	B15-103, B15-106, B15-115, B15-119	046488	B16-31, B16-37	046752	B15-123
046362	B15-29, B15-33, B15-44, B15-49, B15-51, B15-71	046416	B15-103, B15-106, B15-115, B15-119	046489	B16-31, B16-37	046753	B15-123
		046417	B15-103, B15-106	046490	B16-31	046754	B15-123
		046418	B15-103, B15-106	046491	B16-37	046755	B15-123
		046419	B15-103, B15-106, B15-115, B15-119	046492	B16-37	046756	B15-109, B15-123
		046420	B15-103, B15-106, B15-115, B15-119	046496	B16-37	046757	B15-109, B15-123
		046421	B15-29, B15-33, B15-41, B15-69	046498	B15-85, B15-91	046758	B15-109, B15-123
		046422	B15-103, B15-106	046499	B15-85, B15-91	046759	B15-109
		046423	B15-103, B15-106	046545	B15-29, B15-33, B15-44, B15-71	046760	B15-109, B15-123
		046424	B15-103, B15-106	046550	B15-99	046761	B15-109, B15-123
		046425	B15-103, B15-106	046551	B15-95, B15-99	046762	B15-109, B15-123
		046430	B15-29, B15-33, B15-44, B15-49, B15-51, B15-71	046552	B15-95, B15-99	046763	B15-109, B15-123
		046431	B15-29, B15-33, B15-44, B15-49, B15-51, B15-54, B15-71	046553	B15-95, B15-99	046764	B15-109, B15-123
				046554	B15-95, B15-99	046765	B15-109, B15-123
				046555	B15-95, B15-99	046766	B15-109, B15-123
				046556	B15-99	046767	B15-109, B15-123
				046557	B15-91, B15-95, B15-99	046768	B15-109
				046558	B15-95, B15-99	046769	B15-109, B15-123
				046559	B15-95, B15-99	046770	B15-109
				046560	B15-95, B15-99	046771	B15-109
				046561	B15-95, B15-99	046772	B15-123
				046562	B15-95, B15-99	046773	B15-123
				046563	B15-95, B15-99	046850	B15-47
				046564	B15-95, B15-99	046851	B15-47
				046565	B15-95, B15-99	046872	B15-47
				046566	B15-85, B15-91	046873	B15-47
				046567	B15-85, B15-91	046874	B15-47
				046568	B15-85, B15-91	046875	B15-47
				046569	B15-85, B15-91	046876	B15-47
				046570	B15-85, B15-91	046877	B15-47
				046572	B15-85, B15-91	046878	B15-47
				046632	B15-45, B15-125	046879	B15-47
						046880	B15-47
						046881	B15-47
						046882	B15-47
						046883	B15-47
						046884	B15-47

PART NUMBER INDEX



Part Number	Page	Part Number	Page	Part Number	Page	Part Number	Page
046885	B15-47	047679	B15-84, B15-93	048017	B13-13	048126	B13-19
046886	B15-47	047680	B15-84, B15-93	048018	B13-13	048128	B13-19
046887	B15-47	047681	B15-85, B15-93	048019	B13-13	048129	B13-19
046891	B15-47	047682	B15-85, B15-93	048020	B13-13	048130	B13-19
046892	B15-47	047815	B15-47	048021	B13-13	048131	B13-19
046893	B15-47	047816	B15-47	048022	B13-13	048202	B13-20
046894	B15-47	047817	B15-47	048023	B13-13	048203	B13-20
046960	B15-47	047818	B15-47	048024	B13-13	048204	B13-20
046961	B15-47	047819	B15-47	048025	B13-13	048205	B13-20
046962	B15-47	047820	B15-47	048026	B13-13	048206	B13-20
046963	B15-47	047821	B15-47	048027	B13-13	048207	B13-20
046964	B15-47	047822	B15-47	048028	B13-13	048208	B13-20
046965	B15-47	047823	B15-47	048029	B13-13	048210	B13-20
046966	B15-47	047824	B15-47	048030	B13-13	048216	B13-20
046967	B15-47	047825	B15-47	048031	B13-13	048217	B13-20
046968	B15-47	047826	B15-47	048032	B13-13	048218	B13-20
046969	B15-47	047827	B15-47	048033	B13-13	048219	B13-20
046970	B15-47	047828	B15-47	048034	B13-15	048220	B13-20
046971	B15-47	047829	B15-47	048035	B13-15	048221	B13-20
046972	B15-47	047830	B15-47	048036	B13-15	048222	B13-20
046973	B15-47	047831	B15-47	048037	B13-15	048224	B13-20
046974	B15-47	047940	B15-31, B15-34, B15-41, B15-69, B15-84, B15-91	048038	B13-15	048385	B14-103
046975	B15-47			048039	B13-15	048386	B14-103
046976	B15-47			048040	B13-15	048389	B14-103
046977	B15-47	047941	B15-31, B15-34, B15-41, B15-69, B15-84, B15-91	048041	B13-15	048390	B14-103
046978	B15-47			048042	B13-15	048925	B14-105, B16-21
046979	B15-47			048043	B13-15	048926	B14-105
046980	B15-47	047942	B15-84, B15-91	048044	B13-15	048927	B14-105, B16-21
046981	B15-47	047943	B15-84, B15-91	048045	B13-15	048928	B14-105
046982	B15-47	047944	B15-84, B15-91	048046	B13-15	048929	B14-105, B16-21
046983	B15-47	047945	B15-84, B15-91	048047	B13-15	048930	B14-105, B16-21
046984	B15-47	047946	B15-84, B15-91	048048	B13-15	048931	B14-105, B16-21
046985	B15-47	047947	B15-85, B15-91	048049	B13-15	048932	B14-105, B16-21
046986	B15-47	047948	B15-85, B15-91	048050	B13-15	048933	B14-105, B16-21
046987	B15-47	047949	B15-85, B15-91	048051	B13-15	048934	B14-105, B16-21
046988	B15-47	047950	B15-85, B15-91	048052	B13-15	048937	B16-21
046989	B15-47	047951	B15-85, B15-91	048053	B13-15	048938	B16-21
046991	B15-47	047952	B15-85, B15-91	048054	B13-15	048939	B16-21
046992	B15-47	047953	B15-85, B15-91	048055	B13-15	048940	B16-21
046993	B15-47	047954	B15-85, B15-91	048056	B13-15	049235	B10-67
047628	B15-84, B15-93	047955	B15-85, B15-91	048057	B13-15	049380	B2-56
047629	B15-84, B15-93	047956	B15-85, B15-91	048058	B13-15	049385	B7-34
047630	B15-84, B15-93	047957	B15-85, B15-91	048059	B13-15	049415	B6-50
047631	B15-84, B15-93	048000	B13-13	048060	B13-15	049430	B6-53
047632	B15-85, B15-93	048001	B13-13	048061	B13-15	049437	B4-36
047635	B15-85, B15-93	048002	B13-13	048062	B13-15	049447	B6-31
047636	B15-85, B15-93	048003	B13-13	048063	B13-15	049462	B4-99
047637	B15-84, B15-93	048004	B13-13	048064	B13-15	049466	B6-31
047638	B15-84, B15-93	048005	B13-13	048065	B13-15	049467	B6-42
047639	B15-84, B15-93	048006	B13-13	048066	B13-15	049468	B8-14
047641	B15-85, B15-93	048007	B13-13	048067	B13-15	049469	B2-28
047642	B15-85, B15-93	048008	B13-13	048109	B13-19	049470	B7-30
047643	B15-85, B15-93	048009	B13-13	048110	B13-19	049477	B2-36
047644	B15-85, B15-93	048010	B13-13	048111	B13-19	049490	B16-37
047645	B15-85, B15-93	048011	B13-13	048113	B13-19	049496	B6-46
047646	B15-84, B15-93	048012	B13-13	048114	B13-19	049610	B6-38
047647	B15-84, B15-93	048013	B13-13	048115	B13-19	049615	B4-50
047648	B15-84, B15-93	048014	B13-13	048116	B13-19	049686	B2-31
047649	B15-84, B15-93	048015	B13-13	048124	B13-19	049690	B4-16
047678	B15-84, B15-93	048016	B13-13	048125	B13-19	049696	B6-48



PART NUMBER INDEX

Part Number	Page	Part Number	Page	Part Number	Page	Part Number	Page
049709	B6-32	050829	B8-12	052081	B15-85, B15-92	053021	B4-24
049742	B4-38	050830	B8-12	052093	B2-43, B6-54	053025	B4-24
049747	B6-46	050831	B8-12	052094	B4-50	053042	B9-6
049751	B9-18	050833	B8-12	052101	B4-12	053045	B6-53
049781	B6-52	050834	B4-54	052194	B4-70	053047	B9-6
049784	B8-10	050835	B4-54	052199	B4-70	053067	B10-67
049787	B7-22	050836	B8-16	052205	B4-60	053088	B16-41
049802	B7-22	050837	B4-12	052220	B4-34	053140	B6-31
049803	B7-22	050838	B8-10	052224	B4-24	053169	B4-99
049811	B4-101	050839	B7-24	052275	B4-26	053170	B4-12, B4-20
049813	B6-51	050840	B8-14	052276	B4-100	053175	B4-36
049816	B4-28	050842	B8-14	052291	B4-56	053183	B4-24
049818	B4-28	050843	B4-56	052294	B4-99	053201	B16-35
049829	B4-74	050844	B8-16	052302	B4-60	053219	B7-22
049835	B2-56	050845	B8-8	052311	B4-99	053320	B4-84
049838	B6-38	050846	B4-74	052413	B4-18	053326	B7-24
049841	B7-14	050848	B8-12	052414	B4-18	053339	B7-22
049843	B7-14	050867	B4-56	052472	B4-32	053411	B7-22
049844	B7-14	050895	B4-52	052478	B4-100	053412	B7-22
049845	B7-34	050951	B7-24	052531	B4-99	053413	B7-22
049848	B7-14	051513	B4-99	052532	B4-100	053414	B7-22
049852	B4-12	051606	B7-34	052535	B6-31	053415	B7-22
049855	B6-51	051699	B8-14	052540	B4-99	053416	B7-22
049859	B4-32	051774	B4-50	052546	B6-46	053417	B7-22
049879	B7-24	051825	B4-100	052550	B4-100	053418	B7-22
049884	B7-30	051826	B4-99	052567	B7-30	053493	B6-42
049887	B8-8	051827	B4-99	052570	B15-52, B16-35	053517	B6-46
049891	B4-101	051841	B15-52, B16-35	052604	B4-99	053563	B4-100
049892	B8-14	051878	B4-20	052618	B4-99	053565	B4-90
049893	B4-101	051879	B4-20	052620	B2-42	053617	B7-24
049894	B4-100	051880	B4-20	052621	B2-42	053628	B10-67
049918	B4-94	051885	B7-22	052622	B2-42	053662	B8-10
049925	B4-92	051888	B8-14	052623	B2-42	053670	B4-99
049926	B4-40	051889	B8-10	052626	B6-42	053717	B4-16
049930	B6-32	051890	B8-10	052637	B15-52, B16-35	053718	B4-16
049944	B4-30	051891	B8-16	052638	B15-52, B16-35	053719	B4-28
049945	B4-94	051892	B8-16	052639	B15-52, B16-35	053763	B9-22
049950	B7-30	051906	B4-99	052640	B15-52, B16-35	053776	B4-88, B4-94
049991	B4-100	051931	B4-58	052641	B15-52, B16-35	053784	B6-40
049996	B2-26	051987	B4-54	052642	B15-52, B16-35	053871	B4-101
050119	B4-34	051991	B4-56	052643	B15-52, B16-35	053883	B4-36
050130	B4-58	051992	B4-56	052644	B15-52, B16-35	053894	B4-101
050132	B4-62	052002	B4-60	052645	B4-88	053895	B4-101
050146	B4-44	052003	B4-60	052668	B6-31	053901	B4-62
050189	B4-99	052004	B4-56, B4-60	052722	B6-46	053955	B4-100
050386	B4-32	052005	B4-26	052729	B7-24	053986	B2-43, B6-54
050420	B9-22	052006	B4-56	052762	B7-14	054009	B4-18
050474	B15-85, B15-91	052007	B4-56	052763	B7-14	054019	B4-90
050498	B4-44	052008	B4-56	052792	B4-14	054063	B4-101
050524	B2-42	052009	B4-54	052794	B4-14	054065	B4-100
050531	B15-85, B15-93	052010	B4-54	052906	B4-50	054142	B6-26
050555	B4-101	052011	B4-36	052931	B6-26	054145	B2-42
050580	B2-42	052012	B4-12	052932	B9-14	054190	B4-99
050653	B2-42	052015	B4-99	052939	B4-72	054196	B4-90
050654	B2-42	052016	B4-50	052959	B7-30	054203	B4-99, B4-100
050656	B2-42	052017	B4-60	052981	B2-42	054225	B4-90
050662	B4-59, B4-62	052032	B4-88	052984	B6-26	054276	B4-99
050778	B8-14	052045	B7-34	053007	B9-18	054300	B4-99
050792	B4-16	052047	B4-100	053008	B9-6	054314	B4-99
050828	B8-12	052048	B4-100	053011	B6-22	054315	B4-100

PART NUMBER INDEX



Part Number	Page	Part Number	Page	Part Number	Page	Part Number	Page
054316	B4-100	056134	B10-51	056862	B7-24	057908	B2-59
054342	B4-99	056136	B10-51	056864	B4-99	057958	B15-54
054390	B6-48	056138	B10-51	056867	B6-28	057966	B15-54
054411	B6-48	056140	B10-51	056889	B6-31	058081	B6-44
054412	B4-100	056142	B10-51	056890	B6-32	058157	B4-90, B4-94
054419	B4-99	056144	B10-51	056893	B2-56	058183	B4-100
054431	B4-90	056440	B2-64	056902	B4-38	058194	B4-99
054436	B4-32	056449	B2-56	056907	B4-60	058233	B4-101
054455	B6-16	056468	B6-53	056911	B4-101	058262	B4-99
054495	B8-8	056481	B4-24	056912	B4-94	058263	B4-99
054534	B4-99	056483	B4-24	056929	B4-40	058275	B9-6
054548	B4-32	056492	B4-68	056961	B6-26	058294	B2-64
054556	B4-100	056497	B2-46	056962	B6-26	058311	B2-59
054580	B4-101	056512	B6-34	056964	B2-31	058336	B2-59
054593	B4-100	056525	B2-26	056967	B6-26	058345	B2-42
054726	B4-58	056526	B2-56	056968	B6-34	058347	B6-48
054727	B4-22	056548	B2-26	056970	B6-34	058380	B4-100
054781	B4-32	056552	B2-31	056971	B2-31	058395	B6-36
054782	B4-99	056553	B2-26	057102	B2-42	058400	B4-26
054831	B4-101	056565	B2-26	057114	B4-100	058404	B2-56
054837	B4-101	056577	B2-51	057132	B4-100	058470	B2-56
054843	B4-99	056578	B4-101	057201	B4-88	058514	B2-65
054917	B4-100	056580	B2-56	057212	B4-100	058515	B2-57
054918	B4-100	056588	B4-100	057220	B4-84	058516	B2-48
054934	B4-100	056593	B2-36	057260	B15-103	058529	B4-50
054949	B4-88	056605	B6-46	057265	B4-101	058544	B4-50
054950	B7-12	056606	B4-16	057266	B6-48	058545	B4-50
054960	B10-67	056610	B6-10	057338	B4-99	058593	B2-56
055572	B15-54	056611	B2-31	057354	B4-88	058594	B2-64
055654	B15-54	056612	B2-31	057361	B4-84	058595	B2-64
055710	B15-54	056630	B4-100	057363	B4-100	058596	B2-46
055712	B15-54	056633	B2-36	057368	B4-100	058597	B2-46
055714	B15-54	056638	B6-46, B6-48	057414	B4-24	058619	B4-100
055716	B15-54	056676	B6-16	057442	B2-48	058624	B4-26
055734	B15-54	056696	B6-28	057474	B4-99	058625	B6-26
055740	B15-54	056728	B15-131	057475	B6-40	058630	B4-84
055805	B10-67	056734	B2-31	057487	B4-100	058632	B2-51
055806	B10-67	056744	B4-12	057524	B2-56	058633	B4-100
055807	B10-67	056750	B4-18	057543	B6-42	058647	B6-46
055840	B10-67	056765	B4-50	057594	B2-56	058648	B2-59
055876	B15-54	056779	B6-44	057603	B4-20	058652	B4-101
055881	B15-54	056780	B6-32	057658	B6-42	058665	B2-42
055898	B15-54	056784	B7-24	057683	B4-101	058699	B15-52
055906	B15-54	056796	B2-26	057687	B2-56	058702	B4-14
055907	B15-54	056797	B2-26	057692	B7-22	058705	B4-76
055915	B10-67	056800	B2-26	057692	B7-22	058736	B4-58
055931	B10-67, B14-103, B15-54	056801	B2-31	057707	B4-39	058738	B4-101
055940	B14-103, B15-54	056802	B2-31	057708	B4-100	058778	B9-16
055943	B10-67	056803	B2-31	057709	B4-62	058779	B9-16
056100	B10-51	056804	B2-31	057770	B6-46	058792	B2-56
056102	B10-51	056805	B2-31	057770	B6-46	058852	B4-100
056104	B10-51	056806	B2-36	057800	B4-100	058897	B4-70
056106	B10-51	056807	B2-36	057801	B4-100	058898	B6-34
056108	B10-51	056808	B2-36	057802	B4-90	058902	B15-52
056110	B10-51	056809	B2-36	057802	B4-90	058903	B15-52
056112	B10-51	056807	B2-36	057839	B4-101	058904	B15-52
056114	B10-51	056808	B2-36	057847	B4-99	058905	B15-52
056130	B10-51	056809	B2-36	057854	B8-14	058906	B15-52
056132	B10-51	056810	B2-36	057878	B4-84	058907	B15-52
		056811	B4-28	057898	B2-46	058908	B15-52
		056830	B9-10	057899	B2-64		
		056845	B4-40	057906	B4-101		
		056855	B4-14	057907	B2-64		



PART NUMBER INDEX

Part Number	Page	Part Number	Page	Part Number	Page	Part Number	Page
058909	B15-52	061083	B11-19	062742	B5-16	063772	B14-103
058910	B2-64	061084	B11-19	062746	B4-42	063773	B14-103
058915	B4-101	061085	B11-19	062773	B6-46	063774	B14-103
058931	B2-46	061086	B11-19	062779	B4-100	063775	B14-103
058941	B2-56	061087	B11-19	062781	B6-32	063776	B14-103
058944	B2-46	062040	B11-45	062829	B4-99	064000	B2-31
058965	B2-42	062070	B11-45	062835	B2-36	064064	B2-46
058975	B2-46	062143	B6-14	062837	B2-46, B2-56	064070	B16-12
058989	B2-42	062152	B6-34	062842	B4-60	064071	B16-12
058994	B6-42	062157	B4-100	062861	B5-14	064072	B16-12
058996	B7-34	062162	B4-14	062862	B5-14	064073	B16-12
058997	B6-16, B6-18	062176	B6-54	062874	B2-26	064074	B16-12
059593	B6-46	062178	B4-14, B4-26	062875	B2-48	064075	B16-12
059595	B9-16	062182	B4-100	062877	B4-99	064076	B16-12
059596	B9-16	062184	B6-46	062879	B2-26	064077	B16-12
059614	B4-100	062186	B4-26	062880	B6-50, B6-51	064079	B5-28
059636	B4-101	062187	B6-12	062881	B6-46, B6-48	064089	B4-40
059637	B4-30	062260	B4-46	062893	B9-20	064096	B7-30
059667	B7-12	062263	B6-36	062897	B4-60	064136	B4-28
059673	B4-99	062270	B14-58	062899	B7-30	064147	B2-54
059680	B6-26	062281	B6-42	062901	B2-35	064149	B4-90, B4-94
059696	B4-100	062285	B6-48	062913	B2-31	064153	B16-12
059704	B6-46	062304	B4-28	062945	B9-18	064154	B16-12
059705	B6-34	062306	B6-46	062958	B5-14	064155	B16-12
059722	B2-46	062307	B7-22	062975	B4-76	064156	B16-12
059737	B4-99	062309	B4-100	062978	B5-12	064157	B16-12
059754	B6-53	062317	B2-59	062993	B5-12	064178	B7-30
059758	B6-48	062321	B4-28	062994	B2-31	064198	B4-44
059785	B4-16	062337	B9-28	063359	B11-55	064203	B4-56
059798	B2-26	062339	B9-28	063360	B11-55	064211	B5-26
059799	B2-26	062340	B2-36	063361	B11-55	064214	B4-56
059811	B8-14	062373	B6-40	063362	B11-55	064230	B7-12
059816	B4-50	062379	B6-26	063363	B11-55	064237	B4-101
059821	B4-99	062407	B6-34	063366	B11-55	064249	B4-26
059823	B2-56	062408	B6-34	063389	B11-55	064255	B2-31
059844	B4-101	062438	B6-26	063390	B11-55	064289	B7-26
059850	B6-26	062439	B9-18	063392	B11-55	064300	B6-46, B6-48
059857	B6-26	062443	B6-52	063393	B11-55	064306	B2-26
059869	B2-43, B6-54	062454	B9-22	063396	B11-55	064335	B4-58
059870	B2-26	062461	B14-58	063411	B11-55	064341	B2-31
059880	B6-42	062475	B6-34	063420	B11-57	064361	B4-40
059882	B6-16	062491	B6-34	063421	B11-57	064430	B6-42
059954	B4-100	062497	B9-19	063422	B11-57	064450	B4-16
060578	B10-53	062500	B7-20	063424	B11-57	064463	B5-14
060579	B10-53	062509	B8-16	063426	B11-57	064472	B5-26, B5-30
060745	B10-53	062525	B6-31	063429	B11-57	064473	B6-28
060746	B10-53	062542	B2-36	063450	B11-57	064480	B4-40
060747	B10-53	062570	B4-94	063451	B11-57	064483	B9-12
060748	B10-53	062572	B4-99	063452	B11-57	064503	B2-54
060749	B10-53	062575	B6-32	063454	B11-57	064535	B6-58
060750	B10-53	062628	B2-64	063456	B11-57	064536	B7-22
060751	B10-53	062648	B4-40	063459	B11-57	064537	B4-28
060752	B10-53	062676	B4-100	063694	B10-67	064557	B4-100
060753	B10-53	062682	B5-14	063765	B14-103	064572	B2-46
060754	B10-53	062686	B4-40	063766	B14-103	064584	B2-62
060755	B10-53	062691	B4-76	063767	B14-103	064586	B4-59, B4-62
060756	B10-53	062700	B14-58	063768	B14-103	064624	B6-32
060905	B15-114	062702	B6-48	063769	B14-103	064637	B4-24
060906	B15-114	062738	B6-42	063770	B14-103	064656	B4-34
061082	B11-19	062741	B5-16	063771	B14-103	064670	B5-44

PART NUMBER INDEX



Part Number	Page	Part Number	Page	Part Number	Page	Part Number	Page
064684	B5-22	065303	B11-11	066217	B11-30	066292	B11-39
064689	B4-18	065304	B11-14	066218	B11-30	066293	B11-39
064691	B8-8	065305	B11-14	066220	B11-30	066294	B11-39
064698	B6-46	065306	B11-14	066222	B11-30	066295	B11-39
064704	B4-76	065310	B11-11	066223	B11-30	066296	B11-39
064720	B2-51	065311	B11-9	066224	B11-33	066297	B11-39
064735	B6-31, B6-32	065312	B11-9	066225	B11-33	066298	B11-39
064750	B9-18	065313	B11-9	066226	B11-30	066299	B11-39
064756	B4-28	065314	B11-9	066228	B11-30	066300	B11-30
064762	B7-30	065315	B11-9	066230	B11-30	066301	B11-30
064775	B4-40	065316	B11-9	066231	B11-33	066302	B11-30
064794	B5-18	065317	B11-9	066232	B11-30	066303	B11-30
064825	B6-12	065530	B9-22	066234	B11-30	066304	B11-30
064839	B2-46	065548	B4-26	066235	B11-33	066305	B11-30
064841	B5-14	065551	B6-58	066236	B11-30	066306	B11-30
064853	B4-59	065555	B7-30	066237	B11-30	066307	B11-30
064865	B4-90	065565	B4-40	066238	B11-33	066308	B11-30
064874	B5-18	065569	B6-48	066240	B11-33	066309	B11-30
064875	B5-18	065576	B4-60	066242	B11-33	066310	B11-30
064880	B4-99	065593	B4-72, B4-73	066243	B11-30	066311	B11-30
064882	B7-12	065595	B4-36, B4-42	066244	B11-33	066312	B11-39
064890	B6-46	065597	B5-22	066245	B11-33	066314	B11-39
064910	B7-22	065598	B5-18	066246	B11-30	066315	B11-39
064911	B4-58	065600	B2-36	066247	B11-30	066316	B11-39
064912	B4-58	065605	B6-26	066248	B11-30	066317	B11-39
064913	B4-59	065607	B5-40	066249	B11-30	066318	B11-39
064929	B7-28	065616	B7-12	066250	B11-30	066319	B11-39
064943	B4-54	065620	B5-14	066252	B11-30	066320	B11-39
064993	B2-35	065632	B6-26	066253	B11-30	066321	B11-39
064994	B2-24	065634	B7-34	066254	B11-30	066322	B11-39
065238	B11-9	065635	B7-24	066256	B11-30	066324	B11-39
065244	B11-9	065636	B9-8	066257	B11-30	066325	B11-39
065258	B11-14	065641	B14-56	066258	B11-30	066326	B11-39
065260	B11-14	065642	B4-70	066260	B11-33	066360	B11-33
065262	B11-14	065644	B4-66, B4-68	066261	B11-33	066363	B11-33
065265	B11-14	065653	B4-60	066262	B11-30	066365	B11-33
065268	B11-14	065655	B2-46	066263	B11-30	066366	B11-33
065270	B11-14	065657	B14-56	066266	B11-30	066367	B11-33
065271	B11-14	065658	B6-26	066268	B11-33	066370	B11-33
065274	B11-14	065666	B7-30	066269	B11-30	066371	B11-33
065282	B11-14	065681	B4-70	066270	B11-30	066372	B11-33
065283	B11-14	065694	B2-30	066271	B11-30	066373	B11-33
065284	B11-14	065699	B4-52	066272	B11-33	066374	B11-33
065285	B11-14	065700	B4-100	066273	B11-30	066375	B11-33
065286	B11-14	065766	B4-34	066274	B11-33	066377	B11-33
065287	B11-14	065770	B6-28	066276	B11-33	066378	B11-33
065288	B11-14	065771	B6-28	066278	B11-33	066379	B11-33
065289	B11-9	065774	B4-22	066279	B11-39	066381	B11-33
065290	B11-9	065776	B5-18	066280	B11-39	066382	B11-33
065291	B11-9	065777	B5-18	066281	B11-39	066384	B11-33
065292	B11-9	065780	B2-64	066282	B11-39	066385	B11-33
065293	B11-9	065784	B6-12, B6-20	066283	B11-39	066386	B11-33
065294	B11-9	065786	B2-56	066284	B11-39	066388	B11-33
065295	B11-9	065945	B2-36	066285	B11-39	066389	B11-33
065296	B11-9	065969	B5-22	066286	B11-39	066400	B11-33
065297	B11-9	066212	B11-30	066287	B11-39	066403	B11-33
065298	B11-11	066213	B11-30	066288	B11-39	066405	B11-33
065299	B11-11	066214	B6-16, B11-30	066289	B11-39	066406	B11-33
065300	B11-11	066215	B11-30	066290	B11-39	066407	B11-33
065302	B11-11	066216	B11-30	066291	B11-39	066409	B11-33



PART NUMBER INDEX

Part Number	Page	Part Number	Page	Part Number	Page	Part Number	Page
066411	B11-33	066509	B11-39	066593	B11-39	067152	B11-44
066412	B11-33	066510	B11-39	066594	B11-39	067153	B11-44
066413	B11-33	066511	B11-39	066596	B11-39	067154	B11-44
066414	B11-33	066512	B11-39	066598	B11-39	067155	B11-44
066415	B11-33	066513	B11-39	066600	B11-39	067156	B11-44
066417	B11-33	066514	B11-39	066601	B11-39	067157	B11-44
066418	B11-33	066515	B11-39	066602	B11-39	067159	B11-44
066419	B11-33	066516	B11-39	066603	B11-39	067164	B11-44
066421	B11-33	066517	B11-39	066604	B11-39	067234	B10-67
066422	B11-33	066519	B11-39	066605	B11-39	067323	B10-67
066424	B11-33	066520	B11-39	066606	B11-39	067326	B15-54
066425	B11-33	066521	B11-39	066607	B11-39	067340	B10-67
066426	B11-33	066522	B11-39	066629	B14-104, B16-22	067342	B10-67
066428	B11-33	066523	B11-39	066630	B14-104, B16-22	067343	B10-67
066429	B11-33	066524	B11-39	066631	B14-104, B16-22	067344	B10-67
066444	B11-39	066526	B11-39	066632	B14-104, B16-22	067345	B10-67
066445	B11-39	066527	B11-39	066633	B14-104, B16-22	067346	B10-67
066446	B11-39	066528	B11-39	066634	B14-104, B16-22	067347	B10-67
066447	B11-39	066528	B11-39	066635	B14-104, B16-22	067348	B10-67
066448	B11-39	066530	B11-39	066636	B14-104, B16-22	067350	B10-67
066450	B11-39	066533	B11-39	066637	B14-104, B16-22	067352	B10-67
066451	B11-39	066534	B11-39	066638	B14-104, B16-22	067353	B10-67
066455	B11-39	066535	B11-39	066642	B14-104, B16-22	067354	B10-67
066456	B11-39	066537	B11-39	066643	B14-104, B16-22	067355	B10-67
066457	B11-39	066538	B11-39	066644	B14-104	067356	B10-67
066458	B11-39	066539	B11-39	067007	B11-43	067357	B10-67
066459	B11-39	066540	B11-39	067016	B11-43	067501	B15-54
066460	B11-39	066541	B11-39	067019	B4-36	067503	B15-54
066461	B11-39	066542	B11-39	067031	B11-43	067509	B15-54
066463	B11-39	066543	B11-39	067034	B11-43	067511	B15-54
066464	B11-39	066544	B11-39	067042	B11-43	067517	B15-54
066465	B11-39	066559	B11-39	067043	B11-43	067519	B15-54
066466	B11-39	066560	B11-39	067044	B11-43	067520	B15-54
066467	B11-39	066561	B11-39	067045	B11-43	067521	B15-54
066468	B11-39	066562	B11-39	067046	B11-43	067576	B10-67, B14-103, B15-54
066469	B11-39	066563	B11-39	067047	B11-43	067601	B9-20
066471	B11-39	066564	B11-39	067048	B11-43	067630	B2-26
066472	B11-39	066566	B11-39	067049	B11-43	067642	B4-54
066473	B11-39	066567	B11-39	067050	B11-43	067652	B4-16
066475	B11-39	066569	B11-39	067051	B11-43	067663	B4-34
066476	B11-39	066570	B11-39	067052	B11-43	067664	B8-10
066478	B11-39	066571	B11-39	067053	B11-43	067666	B4-36
066479	B11-39	066572	B11-39	067054	B11-43	067674	B4-42
066480	B11-39	066573	B11-39	067055	B11-43	067678	B2-24
066482	B11-39	066574	B11-39	067056	B11-43	067679	B4-14
066483	B11-39	066575	B11-39	067057	B11-43	067710	B4-99
066484	B11-39	066576	B11-39	067060	B11-43	067713	B5-12
066485	B11-39	066577	B11-39	067061	B11-43	067726	B6-44
066486	B11-39	066578	B11-39	067072	B11-43	067742	B4-16
066487	B11-39	066580	B11-39	067073	B11-43	067774	B4-100
066488	B11-39	066581	B11-39	067075	B11-43	067777	B5-14
066489	B11-39	066582	B11-39	067078	B11-43	067783	B6-12
066499	B11-39	066583	B11-39	067100	B11-43	067829	B4-62
066500	B11-39	066584	B11-39	067103	B11-43	067830	B4-100
066501	B11-39	066585	B11-39	067120	B11-43	067839	B2-26
066502	B11-39	066587	B11-39	067123	B11-43	067865	B5-12
066503	B11-39	066588	B11-39	067135	B11-43	067868	B4-64
066504	B11-39	066589	B11-39	067138	B11-43	067874	B4-54
066506	B11-39	066590	B11-39	067149	B11-44	067892	B4-52
066507	B11-39	066591	B11-39	067151	B11-44		

PART NUMBER INDEX



Part Number	Page	Part Number	Page	Part Number	Page	Part Number	Page
067902	B4-88	068307	B4-22	068800	B4-24	069349	B14-97
067903	B6-42	068320	B6-34	068803	B9-18	069350	B14-97
067910	B5-12	068321	B6-42	068809	B8-16	069351	B14-97
067919	B2-46	068322	B2-46	068839	B4-40	069352	B14-97
067921	B14-56	068329	B5-22	068840	B4-50	069353	B14-97
067922	B14-56	068361	B4-20	068849	B7-42	069354	B14-99
067925	B4-14	068372	B4-12	068855	B9-18	069355	B14-99
067926	B7-22	068373	B6-16, B6-18	068861	B5-26	069356	B14-99
067958	B6-28	068374	B4-76	068864	B9-10	069357	B14-99
067959	B4-36	068387	B9-18	068865	B5-14, B5-22	069358	B14-99
067969	B6-34	068389	B6-46	068866	B7-24	069359	B14-99
067970	B6-26	068400	B9-12	068867	B9-16	069360	B14-99
067986	B2-56	068404	B4-94	068871	B5-22	069361	B14-99
067996	B2-46	068424	B2-64	068872	B5-18	069362	B14-99
067997	B6-28	068428	B8-12	068878	B5-32	069363	B14-99
068008	B6-54	068471	B7-34	068889	B4-94	069364	B14-99
068013	B4-88	068472	B5-22	068901	B7-26	069365	B14-99
068025	B4-26	068478	B4-92	068905	B14-56	069366	B14-99
068053	B2-64	068495	B2-46	068915	B4-40	069367	B14-99
068061	B6-16	068532	B4-48	068937	B4-40	069368	B14-97
068066	B4-100	068537	B6-12	068973	B4-59, B4-62	069369	B14-97
068068	B4-30	068540	B6-54	068996	B4-46	069370	B14-97
068071	B5-20, B7-20	068561	B9-18	069034	B11-14	069371	B14-97
068088	B4-99	068571	B4-56	069039	B11-14	069372	B14-97
068092	B7-30	068572	B4-56	069045	B11-14	069373	B14-97
068118	B7-22	068573	B4-56	069046	B11-14	069374	B14-97
068184	B4-72	068576	B14-56	069060	B11-14	069375	B14-97
068185	B4-99	068603	B4-14	069061	B11-14	069376	B14-97
068195	B7-16	068608	B6-52	069062	B11-14	069377	B14-97
068196	B7-16	068622	B5-12	069063	B11-14	069378	B14-97
068197	B7-16	068643	B6-26	069064	B11-14	069379	B14-97
068198	B7-16	068650	B6-46	069065	B11-14	069380	B14-97
068199	B7-16	068659	B4-72	069066	B11-14	069381	B14-97
068200	B7-16	068662	B5-22	069067	B11-14	069382	B14-99
068201	B7-16	068663	B6-32	069069	B11-14	069383	B14-99
068202	B7-18	068673	B5-22	069286	B16-12	069384	B14-99
068203	B7-18	068680	B5-22	069287	B16-12	069385	B14-99
068204	B7-18	068682	B5-22	069288	B16-12	069386	B14-99
068205	B7-18	068683	B5-14	069289	B16-12	069387	B14-99
068206	B7-18	068685	B5-32	069296	B16-12	069388	B14-99
068207	B7-28	068686	B5-22	069297	B16-12	069389	B14-99
068208	B7-28	068687	B2-62	069303	B16-12	069390	B14-99
068209	B7-28	068715	B5-14	069304	B16-12	069391	B14-99
068210	B7-28	068716	B8-16	069305	B16-12	069392	B14-99
068211	B7-28	068720	B4-50	069306	B16-12	069393	B14-99
068212	B7-28	068726	B5-10	069307	B16-12	069394	B14-99
068213	B7-24	068727	B5-10	069308	B16-12	069395	B14-99
068214	B7-24	068743	B7-16	069312	B16-12	069400	B14-31
068215	B7-24	068747	B9-12	069313	B16-12	069401	B14-31
068216	B7-24	068756	B6-42	069316	B16-12	069402	B14-31
068230	B5-18	068758	B6-34	069317	B16-12	069403	B14-31
068232	B6-48	068760	B4-20	069340	B14-97	069404	B14-31
068234	B2-28	068763	B9-20	069341	B14-97	069405	B14-31
068236	B2-26	068774	B14-56	069342	B14-97	069406	B14-31
068239	B4-101	068775	B14-56	069343	B14-97	069407	B14-31
068266	B4-100	068777	B6-12	069344	B14-97	069408	B14-31
068273	B5-40	068784	B9-16	069345	B14-97	069409	B14-31
068283	B2-31	068785	B4-58	069346	B14-97	069410	B14-31
068290	B4-99	068789	B4-48	069347	B14-97	069411	B14-31
068301	B4-58	068790	B9-22	069348	B14-97	069412	B14-31



PART NUMBER INDEX

Part Number	Page	Part Number	Page	Part Number	Page	Part Number	Page
069413	B14-31	069473	B14-33	069541	B14-43	069602	B14-67
069414	B14-33	069474	B14-33	069542	B14-43	069603	B14-67
069415	B14-33	069475	B14-33	069543	B14-43	069604	B14-69
069416	B14-33	069476	B14-33	069544	B14-43	069605	B14-69
069417	B14-33	069477	B14-33	069545	B14-43	069606	B14-69
069418	B14-33	069478	B14-33	069546	B14-43	069607	B14-69
069419	B14-33	069479	B14-33	069547	B14-43	069608	B14-69
069420	B14-33	069480	B14-33	069548	B14-43	069609	B14-69
069421	B14-33	069481	B14-33	069549	B14-45	069610	B14-69
069422	B14-33	069482	B14-33	069550	B14-45	069611	B14-69
069423	B14-33	069483	B14-33	069551	B14-45	069612	B14-69
069424	B14-33	069484	B14-31	069552	B14-45	069630	B14-67
069425	B14-33	069485	B14-31	069553	B14-45	069631	B14-67
069426	B14-33	069486	B14-31	069554	B14-45	069632	B14-67
069427	B14-33	069487	B14-31	069555	B14-45	069633	B14-67
069428	B14-31	069488	B14-31	069556	B14-43	069634	B14-67
069429	B14-31	069489	B14-31	069557	B14-43	069635	B14-67
069430	B14-31	069490	B14-31	069558	B14-43	069636	B14-67
069431	B14-31	069491	B14-31	069559	B14-43	069637	B14-67
069432	B14-31	069492	B14-31	069560	B14-43	069638	B14-67
069433	B14-31	069493	B14-31	069561	B14-43	069639	B14-67
069434	B14-31	069494	B14-31	069562	B14-43	069640	B14-67
069435	B14-31	069495	B14-31	069563	B14-43	069641	B14-67
069436	B14-31	069496	B14-31	069564	B14-43	069642	B14-69
069437	B14-31	069497	B14-31	069565	B14-43	069643	B14-69
069438	B14-31	069498	B14-33	069566	B14-43	069644	B14-69
069439	B14-31	069499	B14-33	069567	B14-45	069645	B14-69
069440	B14-31	069500	B14-33	069568	B14-45	069646	B14-69
069441	B14-31	069501	B14-33	069569	B14-45	069647	B14-69
069442	B14-33	069502	B14-33	069570	B14-45	069648	B14-69
069443	B14-33	069503	B14-33	069571	B14-45	069649	B14-69
069444	B14-33	069504	B14-33	069572	B14-45	069650	B14-69
069445	B14-33	069505	B14-33	069573	B14-45	069651	B14-67
069446	B14-33	069506	B14-33	069574	B14-43	069652	B14-67
069447	B14-33	069507	B14-33	069575	B14-43	069653	B14-67
069448	B14-33	069508	B14-33	069576	B14-43	069654	B14-67
069449	B14-33	069509	B14-33	069577	B14-43	069655	B14-67
069450	B14-33	069510	B14-33	069578	B14-43	069656	B14-67
069451	B14-33	069511	B14-33	069579	B14-43	069657	B14-67
069452	B14-33	069520	B14-43	069580	B14-43	069658	B14-67
069453	B14-33	069521	B14-43	069581	B14-43	069659	B14-67
069454	B14-33	069522	B14-43	069582	B14-43	069660	B14-67
069455	B14-33	069523	B14-43	069583	B14-43	069661	B14-67
069456	B14-31	069524	B14-43	069584	B14-43	069662	B14-67
069457	B14-31	069525	B14-43	069585	B14-45	069663	B14-69
069458	B14-31	069526	B14-43	069586	B14-45	069664	B14-69
069459	B14-31	069527	B14-43	069587	B14-45	069665	B14-69
069460	B14-31	069528	B14-43	069588	B14-45	069666	B14-69
069461	B14-31	069529	B14-43	069589	B14-45	069667	B14-69
069462	B14-31	069530	B14-43	069590	B14-45	069668	B14-69
069463	B14-31	069531	B14-45	069591	B14-45	069669	B14-69
069464	B14-31	069532	B14-45	069593	B14-67	069670	B14-69
069465	B14-31	069533	B14-45	069594	B14-67	069671	B14-69
069466	B14-31	069534	B14-45	069595	B14-67	069672	B14-67
069467	B14-31	069535	B14-45	069596	B14-67	069673	B14-67
069468	B14-31	069536	B14-45	069597	B14-67	069674	B14-67
069469	B14-31	069537	B14-45	069598	B14-67	069675	B14-67
069470	B14-33	069538	B14-43	069599	B14-67	069676	B14-67
069471	B14-33	069539	B14-43	069600	B14-67	069677	B14-67
069472	B14-33	069540	B14-43	069601	B14-67	069678	B14-67

PART NUMBER INDEX



Part Number	Page	Part Number	Page	Part Number	Page	Part Number	Page
069679	B14-67	069739	B14-73	069799	B14-73	069859	B14-85, B14-89
069680	B14-67	069740	B14-73	069800	B14-73	069860	B14-85, B14-89
069681	B14-67	069741	B14-73	069801	B14-73	069861	B14-85, B14-89
069682	B14-67	069742	B14-73	069802	B14-73	069862	B14-85
069683	B14-67	069743	B14-73	069803	B14-73	069863	B14-85, B14-89
069684	B14-69	069744	B14-73	069804	B14-73	069864	B14-85, B14-89
069685	B14-69	069745	B14-73	069805	B14-83	069865	B14-85
069686	B14-69	069746	B14-73	069806	B14-83	069866	B14-85
069687	B14-69	069747	B14-73	069807	B14-83	069867	B14-85
069688	B14-69	069748	B14-73	069808	B14-83, B14-87	069868	B14-85
069689	B14-69	069749	B14-71	069809	B14-83, B14-87	069869	B14-83
069690	B14-69	069750	B14-71	069810	B14-83	069870	B14-83
069691	B14-69	069751	B14-71	069811	B14-83, B14-87	069871	B14-83
069692	B14-69	069752	B14-71	069812	B14-83, B14-87	069872	B14-83, B14-87
069693	B14-71	069753	B14-71	069813	B14-83	069873	B14-83, B14-87
069694	B14-71	069754	B14-71	069814	B14-83, B14-87	069874	B14-83
069695	B14-71	069755	B14-71	069815	B14-83, B14-87	069875	B14-83, B14-87
069696	B14-71	069756	B14-71	069816	B14-83, B14-87	069876	B14-83, B14-87
069697	B14-71	069757	B14-71	069817	B14-83, B14-87	069877	B14-83
069698	B14-71	069758	B14-71	069818	B14-83	069878	B14-83, B14-87
069699	B14-71	069759	B14-71	069819	B14-83	069879	B14-83, B14-87
069700	B14-71	069760	B14-71	069820	B14-83, B14-87	069880	B14-83, B14-87
069701	B14-71	069761	B14-71	069821	B14-83, B14-87	069881	B14-83, B14-87
069702	B14-71	069762	B14-71	069822	B14-85, B14-89	069882	B14-83
069703	B14-71	069763	B14-73	069823	B14-85, B14-89	069883	B14-83
069704	B14-71	069764	B14-73	069824	B14-85, B14-89	069884	B14-83, B14-87
069705	B14-71	069765	B14-73	069825	B14-85, B14-89	069885	B14-83, B14-87
069706	B14-71	069766	B14-73	069826	B14-85, B14-89	069886	B14-85, B14-89
069707	B14-73	069767	B14-73	069827	B14-85, B14-89	069887	B14-85, B14-89
069708	B14-73	069768	B14-73	069828	B14-85, B14-89	069888	B14-85, B14-89
069709	B14-73	069769	B14-73	069829	B14-85, B14-89	069889	B14-85, B14-89
069710	B14-73	069770	B14-73	069830	B14-85	069890	B14-85, B14-89
069711	B14-73	069771	B14-73	069831	B14-85, B14-89	069891	B14-85, B14-89
069712	B14-73	069772	B14-73	069832	B14-85, B14-89	069892	B14-85, B14-89
069713	B14-73	069773	B14-73	069833	B14-85	069893	B14-85, B14-89
069714	B14-73	069774	B14-73	069834	B14-85	069894	B14-85
069715	B14-73	069775	B14-73	069835	B14-85	069895	B14-85, B14-89
069716	B14-73	069776	B14-73	069836	B14-85	069896	B14-85, B14-89
069717	B14-73	069777	B14-71	069837	B14-83	069897	B14-85
069718	B14-73	069778	B14-71	069838	B14-83	069898	B14-85
069719	B14-73	069779	B14-71	069839	B14-83	069899	B14-85
069720	B14-73	069780	B14-71	069840	B14-83, B14-87	069900	B14-85
069721	B14-71	069781	B14-71	069841	B14-83, B14-87	069901	B14-83
069722	B14-71	069782	B14-71	069842	B14-83	069902	B14-83
069723	B14-71	069783	B14-71	069843	B14-83, B14-87	069903	B14-83
069724	B14-71	069784	B14-71	069844	B14-83, B14-87	069904	B14-83, B14-87
069725	B14-71	069785	B14-71	069845	B14-83	069905	B14-83, B14-87
069726	B14-71	069786	B14-71	069846	B14-83, B14-87	069906	B14-83
069727	B14-71	069787	B14-71	069847	B14-83, B14-87	069907	B14-83, B14-87
069728	B14-71	069788	B14-71	069848	B14-83, B14-87	069908	B14-83, B14-87
069729	B14-71	069789	B14-71	069849	B14-83, B14-87	069909	B14-83
069730	B14-71	069790	B14-71	069850	B14-83	069910	B14-83, B14-87
069731	B14-71	069791	B14-73	069851	B14-83	069911	B14-83, B14-87
069732	B14-71	069792	B14-73	069852	B14-83, B14-87	069912	B14-83, B14-87
069733	B14-71	069793	B14-73	069853	B14-83, B14-87	069913	B14-83, B14-87
069734	B14-71	069794	B14-73	069854	B14-85, B14-89	069914	B14-83
069735	B14-73	069795	B14-73	069855	B14-85, B14-89	069915	B14-83
069736	B14-73	069796	B14-73	069856	B14-85, B14-89	069916	B14-83, B14-87
069737	B14-73	069797	B14-73	069857	B14-85, B14-89	069917	B14-83, B14-87
069738	B14-73	069798	B14-73	069858	B14-85, B14-89	069918	B14-85, B14-89



PART NUMBER INDEX

Part Number	Page	Part Number	Page	Part Number	Page	Part Number	Page
069919	B14-85, B14-89	070019	B12-49	070162	B14-106	070267	B16-21
069920	B14-85, B14-89	070020	B12-49	070163	B14-106	070272	B12-15
069921	B14-85, B14-89	070021	B12-49	070164	B14-106	070273	B12-15
069922	B14-85, B14-89	070022	B12-49	070165	B14-106	070274	B12-15
069923	B14-85, B14-89	070023	B12-49	070166	B14-106	070276	B12-15
069924	B14-85, B14-89	070024	B12-49	070167	B14-106	070277	B12-15
069925	B14-85, B14-89	070025	B12-49	070168	B14-106	070278	B12-15
069926	B14-85	070026	B12-49	070169	B14-106	070279	B12-15
069927	B14-85, B14-89	070027	B12-49	070170	B14-106	070280	B12-15
069928	B14-85, B14-89	070028	B12-49	070171	B14-106	070282	B12-15
069929	B14-85	070029	B12-49	070172	B14-106	070284	B12-15
069930	B14-85	070030	B12-49	070173	B14-106	070285	B12-15
069931	B14-85	070031	B12-49	070174	B14-106	070286	B12-15
069932	B14-85	070053	B16-14	070175	B14-106	070288	B12-15
069960	B12-51, B14-107, B14-110, B16-21	070054	B14-52	070176	B14-106	070290	B12-15
069961	B12-51, B14-107, B14-110, B16-21	070055	B14-52	070177	B14-106	070295	B12-15
069962	B12-51, B14-107, B14-110, B16-21	070056	B14-52	070178	B12-50, B14-106	070296	B12-15
069963	B12-51, B14-107, B14-110, B16-21	070057	B14-52	070179	B14-106	070297	B12-15
069964	B12-51, B14-107, B14-110, B16-21	070058	B14-54	070180	B14-106	070299	B12-15
069965	B12-51, B14-107, B14-110, B16-21	070059	B14-54	070181	B14-106	070300	B12-15
069966	B12-51, B14-107, B14-110, B16-21	070060	B14-54	070182	B14-106	070301	B12-15
069967	B12-51, B14-107, B14-110, B16-21	070061	B14-54	070183	B14-106	070302	B12-15
069968	B12-51, B14-107, B14-110, B16-21	070062	B14-54	070184	B14-106	070303	B12-15
069969	B12-51, B14-107, B14-110, B16-21	070063	B14-54	070185	B14-106	070305	B12-15
069970	B12-51	070064	B14-52	070186	B12-50, B14-106	070307	B12-15
069971	B12-51	070065	B14-52	070187	B14-106	070308	B12-15
069972	B12-51	070066	B14-52	070188	B14-106	070309	B12-15
069973	B12-51	070067	B14-52	070189	B12-50, B14-106	070311	B12-15
069975	B12-51	070068	B14-54	070190	B14-106	070313	B12-15
069983	B16-21	070069	B14-54	070191	B12-50, B14-106	070318	B12-15
069984	B16-21	070070	B14-54	070192	B14-106	070319	B12-15
070000	B12-49	070071	B14-54	070193	B12-50, B14-106	070320	B12-15
070001	B12-49	070072	B14-54	070194	B14-106	070322	B12-15
070002	B12-49	070073	B14-54	070240	B12-50	070323	B12-15
070003	B12-49	070074	B14-52	070241	B12-50	070324	B12-15
070004	B12-49	070075	B14-52	070242	B12-50	070325	B12-15
070005	B12-49	070076	B14-52	070243	B12-50	070326	B12-15
070006	B12-49	070077	B14-52	070244	B12-50	070328	B12-15
070007	B12-49	070078	B14-54	070245	B12-50	070330	B12-15
070008	B12-49	070079	B14-54	070246	B12-50	070331	B12-15
070009	B12-49	070080	B14-54	070247	B12-50	070332	B12-15
070010	B12-49	070081	B14-54	070248	B12-50	070333	B12-15
070011	B12-49	070082	B14-54	070249	B12-50	070334	B12-15
070012	B12-49	070083	B14-54	070250	B12-50	070336	B12-15
070013	B12-49	070084	B14-52	070251	B16-21	070341	B12-15
070014	B12-49	070085	B14-52	070252	B16-21	070342	B12-15
070015	B12-49	070086	B14-52	070253	B16-21	070343	B12-15
070016	B12-49	070087	B14-52	070254	B16-21	070345	B12-15
070017	B12-49	070088	B14-54	070255	B16-21	070346	B12-15
070018	B12-49	070089	B14-54	070256	B16-21	070347	B12-15
		070090	B14-54	070257	B16-21	070348	B12-15
		070091	B14-54	070258	B16-21	070349	B12-15
		070092	B14-54	070259	B16-21	070351	B12-15
		070093	B14-54	070260	B16-21	070353	B12-15
		070094	B14-54	070261	B16-21	070354	B12-15
		070095	B14-54	070262	B16-21	070355	B12-15
		070096	B14-54	070263	B16-21	070357	B12-15
		070097	B14-54	070264	B16-21	070359	B12-15
		070160	B14-106	070265	B16-21	070361	B12-23
		070161	B14-106	070266	B16-21	070362	B12-23
						070363	B12-23

Plummer Blocks

Sleeve Bearings

SLEEVOIL

Take-Up Frames

Engineering

Part Number Index

Keyword Index

PART NUMBER INDEX



Part Number	Page	Part Number	Page	Part Number	Page	Part Number	Page
070365	B12-23	070478	B12-31	070604	B12-33	070698	B12-39, B12-41
070367	B12-23	070480	B12-31	070605	B12-33	070699	B12-39, B12-41
070368	B12-23	070482	B12-31	070606	B12-33	070700	B12-39
070369	B12-23	070483	B12-31	070607	B12-33	070702	B12-39, B12-41
070371	B12-23	070484	B12-31	070608	B12-33	070703	B12-39
070373	B12-23	070491	B12-31	070610	B12-33	070704	B12-39, B12-41
070375	B12-23	070492	B12-31	070612	B12-33	070705	B12-39, B12-41
070377	B12-23	070493	B12-31	070613	B12-33	070706	B12-39, B12-41
070379	B12-23	070495	B12-31	070614	B12-33	070708	B12-39, B12-41
070380	B12-23	070496	B12-31	070616	B12-33	070710	B12-39, B12-41
070381	B12-23	070497	B12-31	070618	B12-33	070711	B12-39, B12-41
070383	B12-23	070498	B12-31	070620	B16-21	070712	B12-39, B12-41
070385	B12-23	070499	B12-31	070621	B16-21	070714	B12-39, B12-41
070386	B12-23	070501	B12-31	070622	B16-21	070716	B12-39, B12-41
070387	B12-23	070503	B12-31	070623	B16-21	070718	B12-39
070389	B12-23	070504	B12-31	070624	B16-21	070720	B12-39
070391	B12-23	070505	B12-31	070625	B16-21	070725	B12-39, B12-41
070393	B12-23	070523	B12-31	070626	B16-21	070726	B12-39, B12-41
070395	B12-23	070524	B12-31	070627	B16-21	070727	B12-39
070397	B12-23	070525	B12-31	070628	B16-21	070729	B12-39, B12-41
070398	B12-23	070527	B12-31	070629	B16-21	070730	B12-39
070399	B12-23	070528	B12-31	070630	B16-21	070731	B12-39, B12-41
070401	B12-23	070529	B12-31	070631	B16-21	070732	B12-39, B12-41
070403	B12-23	070530	B12-31	070632	B16-21	070733	B12-39, B12-41
070404	B12-23	070531	B12-31	070633	B16-21	070735	B12-39, B12-41
070405	B12-23	070533	B12-31	070634	B16-21	070737	B12-39, B12-41
070407	B12-23	070535	B12-31	070635	B16-21	070738	B12-39, B12-41
070409	B12-23	070536	B12-31	070636	B16-21	070739	B12-39, B12-41
070411	B12-23	070537	B12-31	070644	B12-39, B12-41	070741	B12-39, B12-41
070413	B12-23	070541	B12-33	070645	B12-39, B12-41	070743	B12-39, B12-41
070415	B12-23	070542	B12-33	070646	B12-39	070745	B12-39
070416	B12-23	070543	B12-33	070648	B12-39, B12-41	070747	B12-39
070417	B12-23	070545	B12-33	070649	B12-39	070752	B12-43
070419	B12-23	070546	B12-33	070650	B12-39, B12-41	070753	B12-43
070421	B12-23	070547	B12-33	070651	B12-39, B12-41	070754	B12-43
070422	B12-23	070548	B12-33	070652	B12-39, B12-41	070756	B12-43
070423	B12-23	070549	B12-33	070654	B12-39, B12-41	070757	B12-43
070425	B12-23	070551	B12-33	070656	B12-39, B12-41	070758	B12-43
070427	B12-23	070553	B12-33	070657	B12-39, B12-41	070759	B12-43
070429	B12-23	070554	B12-33	070658	B12-39, B12-41	070760	B12-43
070431	B12-23	070555	B12-33	070660	B12-39, B12-41	070762	B12-45
070436	B12-31	070557	B12-33	070662	B12-39, B12-41	070764	B12-45
070437	B12-31	070559	B12-33	070664	B12-39	070765	B12-45
070438	B12-31	070564	B12-33	070666	B12-39	070766	B12-45
070440	B12-31	070565	B12-33	070671	B12-39, B12-41	070768	B12-45
070441	B12-31	070566	B12-33	070672	B12-39, B12-41	070770	B12-45
070442	B12-31	070568	B12-33	070673	B12-39	070772	B12-45
070443	B12-31	070569	B12-33	070675	B12-39, B12-41	070774	B12-45
070444	B12-31	070570	B12-33	070676	B12-39	070779	B12-43
070446	B12-31	070571	B12-33	070677	B12-39, B12-41	070780	B12-43
070448	B12-31	070572	B12-33	070678	B12-39, B12-41	070781	B12-43
070449	B12-31	070574	B12-33	070679	B12-39, B12-41	070783	B12-43
070450	B12-31	070576	B12-33	070681	B12-39, B12-41	070784	B12-43
070470	B12-31	070577	B12-33	070683	B12-39, B12-41	070785	B12-43
070471	B12-31	070578	B12-33	070684	B12-39, B12-41	070786	B12-43
070472	B12-31	070580	B12-33	070685	B12-39, B12-41	070787	B12-43
070474	B12-31	070582	B12-33	070687	B12-39, B12-41	070789	B12-45
070475	B12-31	070600	B12-33	070689	B12-39, B12-41	070791	B12-45
070476	B12-31	070601	B12-33	070691	B12-39	070792	B12-45
070477	B12-31	070602	B12-33	070693	B12-39	070793	B12-45



PART NUMBER INDEX

Part Number	Page	Part Number	Page	Part Number	Page	Part Number	Page
070795	B12-45	070900	B14-101	071000	B16-12, B14-63	071059	B16-14, B14-63
070797	B12-45	070901	B14-101	071001	B16-12, B14-63	071060	B16-14, B14-63
070799	B12-45	070902	B14-101	071002	B16-12, B14-63	071061	B16-14, B14-63
070801	B12-45	070903	B14-101, B14-103	071003	B16-12, B14-63	071062	B16-14, B14-63
070811	B12-47	070904	B14-101	071004	B16-12, B14-63	071063	B16-14, B14-63
070812	B12-47	070905	B14-101	071005	B16-12, B14-63	071064	B16-14, B14-63
070813	B12-47	070906	B14-101, B14-103	071006	B16-12, B14-63	071065	B16-14, B14-63
070815	B12-47	070907	B14-101	071007	B16-12, B14-63	071066	B16-14, B14-63
070817	B12-47	070908	B14-101	071008	B16-12, B14-63	071067	B16-14, B14-63
070818	B12-47	070909	B14-101	071009	B16-12, B14-63	071068	B16-17
070819	B12-47	070910	B14-101	071010	B16-12, B14-63	071069	B16-17
070821	B12-47	070911	B14-101	071011	B16-12, B14-63	071070	B16-17
070823	B12-47	070912	B14-100	071012	B16-12, B14-63	071071	B16-17
070825	B12-47	070913	B14-100	071013	B16-12, B14-63	071072	B16-17
070827	B12-47	070914	B14-100	071014	B16-12, B14-63	071073	B16-17
070829	B12-47	070915	B14-100	071015	B16-12, B14-63	071074	B16-17
070830	B12-47	070916	B14-100	071016	B16-12, B14-63	071075	B16-17
070831	B12-47	070917	B14-100	071017	B16-12, B14-63	071076	B16-17
070833	B12-47	070918	B14-100	071018	B16-12, B14-63	071077	B16-17
070835	B12-47	070919	B14-100	071019	B16-12, B14-63	071078	B16-17
070836	B12-47	070920	B14-100	071020	B16-12, B16-12, B14-63	071079	B16-17
070837	B12-47	070921	B14-100	071021	B16-12, B14-63	071080	B16-17
070839	B12-47	070922	B14-100	071022	B16-12, B14-63	071081	B16-17
070841	B12-47	070923	B14-100	071023	B16-12, B14-63	071082	B16-17
070843	B12-47	070924	B14-100	071024	B16-12, B14-63	071083	B16-17
070845	B12-47	070925	B14-100	071025	B16-12, B14-63	071084	B16-17
070853	B12-33	070926	B14-101	071026	B16-12, B14-63	071085	B16-17
070854	B12-33	070927	B14-101, B14-103	071027	B16-12, B14-63	071086	B16-17
070855	B12-33	070928	B14-101	071028	B16-12, B14-63	071087	B16-17
070857	B12-33	070929	B14-101	071029	B16-12, B14-63	071088	B16-17
070858	B12-33	070930	B14-101	071030	B16-12, B14-63	071089	B16-17
070859	B12-33	070931	B14-101, B14-103	071031	B16-12, B14-63	071090	B16-17
070860	B12-33	070932	B14-101	071032	B16-12, B14-63	071091	B16-17
070861	B12-33	070933	B14-101	071033	B16-12, B14-63	071092	B16-17
070863	B12-33	070934	B14-101	071034	B16-14, B14-63	071093	B16-17
070865	B12-33	070935	B14-101, B14-103	071035	B16-14, B14-63	071094	B16-17
070866	B12-33	070936	B14-101	071036	B16-14, B14-63	071095	B16-17
070867	B12-33	070937	B14-101	071037	B16-14, B14-63	071096	B16-17
070869	B12-33	070938	B14-101, B14-103	071038	B16-14, B14-63	071097	B16-17
070871	B12-33	070939	B14-101	071039	B16-14, B14-63	071098	B16-17
070880	B14-100	070940	B14-101	071040	B16-14, B14-63	071099	B16-17
070881	B14-100	070941	B14-101	071041	B16-14, B14-63	071100	B16-17
070882	B14-100	070942	B14-101	071042	B16-14, B14-63	071101	B16-17
070883	B14-100	070943	B14-101	071043	B16-14, B14-63	071102	B16-12, B14-63
070884	B14-100	070951	B14-52	071044	B16-14, B14-63	071103	B16-12, B14-63
070885	B14-100	070952	B14-52	071045	B16-14, B14-63	071104	B16-14, B14-63
070886	B14-100	070953	B14-52	071046	B16-14, B14-63	071105	B16-14, B14-63
070887	B14-100	070954	B14-52	071047	B16-14, B14-63	071106	B16-12, B14-63
070888	B14-100	070955	B14-52	071048	B16-14, B14-63	071107	B16-12, B14-63
070889	B14-100	070956	B14-52	071049	B16-14, B14-63	071108	B16-14, B14-63
070890	B14-100	070957	B14-52	071050	B16-14, B14-63	071109	B16-14, B14-63
070891	B14-100	070958	B14-52	071051	B16-14, B14-63	071114	B16-12
070892	B14-100	070959	B14-52	071052	B16-14, B14-63	071115	B16-12
070893	B14-100	070960	B14-52	071053	B14-63	071116	B16-17
070894	B14-101	070961	B14-52	071054	B16-14, B14-63	071117	B16-17
070895	B14-101, B14-103	070962	B14-52	071055	B16-14, B14-63	071118	B16-17
070896	B14-101	070963	B14-52	071056	B16-14, B14-63	071119	B16-17
070897	B14-101	070964	B14-52	071057	B16-14, B14-63	071120	B14-35
070898	B14-101	070965	B14-52	071058	B16-14, B14-63	071121	B14-35
070899	B14-101, B14-103	070966	B14-52			071122	B14-35

PART NUMBER INDEX



Part Number	Page	Part Number	Page	Part Number	Page	Part Number	Page
071123	B14-35	071183	B14-35	071243	B14-47	071303	B14-77
071124	B14-35	071184	B14-35	071244	B14-47	071304	B14-77
071125	B14-35	071185	B14-35	071245	B14-47	071305	B14-77
071126	B14-35	071186	B14-35	071246	B14-47	071306	B14-77
071127	B14-35	071187	B14-35	071247	B14-47	071307	B14-77
071128	B14-35	071188	B14-35	071248	B14-47	071308	B14-77
071129	B14-35	071189	B14-35	071249	B14-47	071309	B14-77
071130	B14-37	071190	B14-35	071250	B14-47	071310	B14-77
071131	B14-37	071191	B14-35	071251	B14-47	071311	B14-77
071132	B14-37	071192	B14-35	071252	B14-47	071312	B14-77
071133	B14-37	071193	B14-37	071253	B14-47	071313	B14-75
071134	B14-37	071194	B14-37	071254	B14-47	071314	B14-75
071135	B14-37	071195	B14-37	071255	B14-47	071315	B14-75
071136	B14-37	071196	B14-37	071256	B14-47	071316	B14-75
071137	B14-37	071197	B14-37	071257	B14-47	071317	B14-75
071138	B14-37	071198	B14-37	071258	B14-47	071318	B14-75
071139	B14-37	071199	B14-37	071259	B14-47	071319	B14-75
071140	B14-37	071200	B14-37	071260	B14-47	071320	B14-75
071141	B14-35	071201	B14-37	071261	B14-47	071321	B14-75
071142	B14-35	071202	B14-37	071262	B14-47	071322	B14-75
071143	B14-35	071203	B14-37	071263	B14-47	071323	B14-77
071144	B14-35	071204	B14-47	071264	B14-47	071324	B14-77
071145	B14-35	071205	B14-47	071265	B14-47	071325	B14-77
071146	B14-35	071206	B14-47	071266	B14-47	071326	B14-77
071147	B14-35	071207	B14-47	071267	B14-47	071327	B14-77
071148	B14-35	071208	B14-47	071268	B14-47	071328	B14-77
071149	B14-35	071209	B14-47	071269	B14-47	071329	B14-77
071150	B14-35	071210	B14-47	071270	B14-47	071330	B14-77
071151	B14-37	071211	B14-47	071271	B14-47	071331	B14-77
071152	B14-37	071212	B14-47	071272	B14-89	071332	B14-77
071153	B14-37	071213	B14-47	071273	B14-89	071333	B14-77
071154	B14-37	071214	B14-47	071274	B14-89	071334	B14-77
071155	B14-37	071215	B14-47	071275	B14-89	071335	B14-77
071156	B14-37	071216	B14-47	071276	B14-89	071336	B14-77
071157	B14-37	071217	B14-47	071277	B14-89	071337	B14-77
071158	B14-37	071218	B14-47	071278	B14-89	071338	B14-75
071159	B14-37	071219	B14-47	071279	B14-89	071339	B14-75
071160	B14-37	071220	B14-47	071280	B14-89	071340	B14-75
071161	B14-37	071221	B14-47	071281	B14-89	071341	B14-75
071162	B14-35	071222	B14-47	071282	B14-89	071342	B14-75
071163	B14-35	071223	B14-47	071283	B14-89	071343	B14-75
071164	B14-35	071224	B14-47	071284	B14-89	071344	B14-75
071165	B14-35	071225	B14-47	071285	B14-89	071345	B14-75
071166	B14-35	071226	B14-47	071286	B14-89	071346	B14-75
071167	B14-35	071227	B14-47	071287	B14-89	071347	B14-75
071168	B14-35	071228	B14-47	071288	B14-75	071348	B14-77
071169	B14-35	071229	B14-47	071289	B14-75	071349	B14-77
071170	B14-35	071230	B14-47	071290	B14-75	071350	B14-77
071171	B14-35	071231	B14-47	071291	B14-75	071351	B14-77
071172	B14-37	071232	B14-47	071292	B14-75	071352	B14-77
071173	B14-37	071233	B14-47	071293	B14-75	071353	B14-77
071174	B14-37	071234	B14-47	071294	B14-75	071354	B14-77
071175	B14-37	071235	B14-47	071295	B14-75	071355	B14-77
071176	B14-37	071236	B14-47	071296	B14-75	071356	B14-77
071177	B14-37	071237	B14-47	071297	B14-75	071357	B14-77
071178	B14-37	071238	B14-47	071298	B14-77	071358	B14-77
071179	B14-37	071239	B14-47	071299	B14-77	071359	B14-77
071180	B14-37	071240	B14-47	071300	B14-77	071360	B14-77
071181	B14-37	071241	B14-47	071301	B14-77	071361	B14-77
071182	B14-37	071242	B14-47	071302	B14-77	071362	B14-77

Plummer Blocks
Sleeve Bearings
SLEEVOIL
Take-Up Frames
Engineering
Part Number Index
Keyword Index



PART NUMBER INDEX

Part Number	Page	Part Number	Page	Part Number	Page	Part Number	Page
071364	B14-75	071424	B12-17	071488	B12-35	071611	B14-47
071365	B14-75	071425	B12-17	071489	B12-35	071612	B14-47
071366	B14-75	071426	B12-17	071490	B12-35	071613	B14-47
071367	B14-75	071427	B12-17	071491	B12-35	071614	B14-47
071368	B14-75	071428	B12-17	071492	B12-35	071615	B14-47
071369	B14-75	071429	B12-17	071493	B12-35	071616	B14-47
071370	B14-75	071430	B12-17	071494	B12-35	071617	B14-47
071371	B14-75	071431	B12-17	071495	B12-35	071618	B14-47
071372	B14-75	071432	B12-17	071496	B12-35	071619	B14-47
071373	B14-75	071433	B12-25	071497	B12-35	071620	B14-47
071374	B14-77	071434	B12-25	071498	B12-35	071621	B14-47
071375	B14-77	071435	B12-25	071499	B12-35	071622	B14-47
071376	B14-77	071436	B12-25	071500	B12-35	071623	B14-47
071377	B14-77	071437	B12-25	071501	B12-35	071624	B14-47
071378	B14-77	071438	B12-25	071502	B12-35	071625	B14-47
071379	B14-77	071439	B12-25	071503	B12-35	071626	B14-47
071380	B14-77	071440	B12-25	071504	B12-35	071627	B14-47
071381	B14-77	071441	B12-25	071505	B12-35	071628	B14-47
071382	B14-77	071442	B12-25	071506	B12-35	071629	B14-47
071383	B14-77	071443	B12-25	071507	B12-35	071630	B14-47
071384	B14-77	071444	B12-25	071508	B12-35	071631	B14-47
071385	B14-77	071445	B12-25	071509	B12-35	071632	B14-47
071386	B14-77	071446	B12-25	071510	B12-35	071633	B14-47
071387	B14-77	071447	B12-25	071511	B12-35	071634	B14-47
071388	B14-77	071448	B12-25	071512	B12-35	071635	B14-47
071389	B12-17	071449	B12-25	071513	B12-35	071636	B14-47
071390	B12-17	071450	B12-25	071514	B12-35	071637	B14-47
071391	B12-17	071451	B12-25	071515	B12-35	071638	B14-47
071392	B12-17	071452	B12-25	071516	B12-35	071639	B14-47
071393	B12-17	071453	B12-25	071517	B12-35	071640	B14-47
071394	B12-17	071454	B12-25	071518	B12-35	071641	B14-47
071395	B12-17	071455	B12-25	071519	B12-35	071650	B14-38
071396	B12-17	071456	B12-25	071520	B12-35	071651	B14-38
071397	B12-17	071457	B12-25	071521	B12-41	071652	B14-38
071398	B12-17	071458	B12-25	071522	B12-41	071653	B14-38
071399	B12-17	071459	B12-25	071523	B12-41	071654	B14-38
071400	B12-17	071460	B12-25	071524	B12-41	071655	B14-38
071401	B12-17	071461	B12-25	071525	B12-41	071656	B14-38
071402	B12-17	071462	B12-25	071526	B12-41	071657	B14-38
071403	B12-17	071463	B12-25	071527	B12-41	071658	B14-38
071404	B12-17	071464	B12-25	071528	B12-41	071659	B14-38
071405	B12-17	071469	B12-35	071576	B14-87	071660	B14-38
071406	B12-17	071470	B12-35	071577	B14-87	071661	B14-38
071407	B12-17	071471	B12-35	071578	B14-87	071662	B14-38
071408	B12-17	071472	B12-35	071579	B14-87	071663	B14-38
071409	B12-17	071473	B12-35	071580	B14-87	071664	B14-38
071410	B12-17	071474	B12-35	071581	B14-87	071665	B14-38
071411	B12-17	071475	B12-35	071582	B14-87	071666	B14-38
071412	B12-17	071476	B12-35	071583	B14-87	071667	B14-38
071413	B12-17	071477	B12-35	071584	B14-87	071668	B14-38
071414	B12-17	071478	B12-35	071585	B14-87	071669	B14-38
071415	B12-17	071479	B12-35	071586	B14-87	071670	B14-38
071416	B12-17	071480	B12-35	071587	B14-87	071671	B14-38
071417	B12-17	071481	B12-35	071590	B14-100	071672	B14-38
071418	B12-17	071482	B12-35	071591	B14-100	071673	B14-38
071419	B12-17	071483	B12-35	071592	B14-101	071674	B14-38
071420	B12-17	071484	B12-35	071593	B14-100	071675	B14-38
071421	B12-17	071485	B12-35	071594	B14-100	071676	B14-38
071422	B12-17	071486	B12-35	071595	B14-101	071677	B14-38
071423	B12-17	071487	B12-35	071610	B14-47	071678	B14-38

PART NUMBER INDEX



Part Number	Page	Part Number	Page	Part Number	Page	Part Number	Page
071679	B14-38	071739	B14-49	071877	B14-41	071937	B14-51
071680	B14-38	071740	B14-49	071878	B14-41	071938	B14-51
071681	B14-38	071741	B14-49	071879	B14-41	071939	B14-51
071682	B14-38	071790	B12-19	071880	B14-41	071940	B12-21
071683	B14-38	071791	B12-19	071881	B14-41	071941	B12-21
071684	B14-38	071792	B12-19	071882	B14-41	071942	B12-21
071685	B14-38	071793	B12-19	071883	B14-41	071943	B12-21
071686	B14-38	071794	B12-19	071884	B14-41	071944	B12-21
071687	B14-38	071795	B12-19	071885	B14-41	071945	B12-21
071688	B14-38	071796	B12-19	071886	B14-41	071946	B12-21
071689	B14-38	071797	B12-19	071887	B14-41	071947	B12-21
071690	B14-38	071798	B12-19	071888	B14-41	071948	B12-21
071691	B14-38	071799	B12-19	071889	B14-41	071949	B12-21
071692	B14-38	071800	B12-19	071890	B14-41	071950	B12-21
071693	B14-38	071801	B12-19	071891	B14-41	071951	B12-21
071694	B14-38	071802	B12-19	071892	B14-41	071952	B12-21
071695	B14-38	071803	B12-19	071893	B14-41	071953	B12-21
071696	B14-38	071804	B12-19	071894	B14-41	071954	B12-21
071697	B14-38	071805	B12-19	071895	B14-41	071955	B12-21
071698	B14-38	071806	B12-19	071896	B14-41	071956	B12-21
071699	B14-38	071807	B12-19	071897	B14-41	071957	B12-21
071700	B14-38	071808	B12-19	071898	B14-41	071958	B12-21
071701	B14-38	071809	B12-19	071899	B14-41	071959	B12-21
071702	B14-38	071810	B12-19	071900	B14-41	071960	B12-21
071703	B14-38	071811	B12-19	071901	B14-41	071961	B12-21
071704	B14-38	071812	B12-19	071902	B14-41	071962	B12-29
071705	B14-38	071813	B12-19	071903	B14-41	071963	B12-29
071706	B14-49	071814	B12-19	071904	B14-41	071964	B12-29
071707	B14-49	071815	B12-19	071905	B14-41	071965	B12-29
071708	B14-49	071816	B12-19	071906	B14-51	071966	B12-29
071709	B14-49	071817	B12-19	071907	B14-51	071967	B12-29
071710	B14-49	071821	B12-27	071908	B14-51	071968	B12-29
071711	B14-49	071822	B12-27	071909	B14-51	071969	B12-29
071712	B14-49	071823	B12-27	071910	B14-51	071970	B12-29
071713	B14-49	071824	B12-27	071911	B14-51	071971	B12-29
071714	B14-49	071825	B12-27	071912	B14-51	071972	B12-29
071715	B14-49	071826	B12-27	071913	B14-51	071973	B12-29
071716	B14-49	071827	B12-27	071914	B14-51	071974	B12-29
071717	B14-49	071828	B12-27	071915	B14-51	071975	B12-29
071718	B14-49	071832	B12-27	071916	B14-51	071976	B12-29
071719	B14-49	071833	B12-27	071917	B14-51	071977	B12-29
071720	B14-49	071834	B12-27	071918	B14-51	071983	B16-12
071721	B14-49	071835	B12-27	071919	B14-51	071984	B16-12
071722	B14-49	071836	B12-27	071920	B14-51	071985	B16-12
071723	B14-49	071837	B12-27	071921	B14-51	071986	B16-12
071724	B14-49	071838	B12-27	071922	B14-51	071987	B16-12
071725	B14-49	071839	B12-27	071923	B14-51	071988	B16-12
071726	B14-49	071864	B14-41	071924	B14-51	071989	B16-12
071727	B14-49	071865	B14-41	071925	B14-51	071990	B16-12
071728	B14-49	071866	B14-41	071926	B14-51	071991	B16-12
071729	B14-49	071867	B14-41	071927	B14-51	071992	B16-12
071730	B14-49	071868	B14-41	071928	B14-51	071993	B16-12
071731	B14-49	071869	B14-41	071929	B14-51	071994	B16-12
071732	B14-49	071870	B14-41	071930	B14-51	071995	B16-12
071733	B14-49	071871	B14-41	071931	B14-51	071996	B16-12
071734	B14-49	071872	B14-41	071932	B14-51	071997	B16-12
071735	B14-49	071873	B14-41	071933	B14-51	071998	B16-12
071736	B14-49	071874	B14-41	071934	B14-51	072000	B14-60
071737	B14-49	071875	B14-41	071935	B14-51	072001	B14-60
071738	B14-49	071876	B14-41	071936	B14-51	072002	B14-60



PART NUMBER INDEX

Part Number	Page	Part Number	Page	Part Number	Page	Part Number	Page
072003	B14-60	072219	B14-79	072281	B14-91	072341	B14-94
072004	B14-60	072220	B14-79	072282	B14-91	072342	B14-94
072005	B14-60	072221	B14-79	072283	B14-91	072343	B14-94
072006	B14-60	072222	B14-79	072284	B14-91	072344	B14-94
072014	B14-60	072223	B14-79	072285	B14-91	072345	B14-94
072015	B14-60	072224	B14-79	072286	B14-91	072346	B14-94
072016	B14-60	072225	B14-79	072287	B14-91	072347	B14-94
072017	B14-60	072226	B14-80	072288	B14-91	072348	B14-94
072018	B14-60	072227	B14-80	072289	B14-91	072349	B14-94
072019	B14-60	072228	B14-80	072290	B14-91	072350	B14-94
072020	B14-60	072229	B14-80	072291	B14-91	072351	B14-94
072170	B14-78	072230	B14-80	072292	B14-91	072352	B14-94
072171	B14-78	072231	B14-80	072293	B14-91	072353	B14-94
072172	B14-78	072232	B14-80	072294	B14-91	072354	B14-94
072173	B14-78	072233	B14-80	072295	B14-91	072355	B14-94
072174	B14-78	072234	B14-80	072296	B14-91	072356	B14-94
072175	B14-78	072235	B14-80	072297	B14-91	072358	B14-94
072176	B14-78	072237	B14-80	072298	B14-91	072359	B14-94
072177	B14-78	072238	B14-80	072299	B14-91	072360	B14-94
072178	B14-78	072239	B14-80	072300	B14-91	072361	B14-94
072179	B14-78	072240	B14-80	072301	B14-91	072362	B14-94
072180	B14-78	072241	B14-80	072302	B14-91	072363	B14-94
072181	B14-78	072242	B14-80	072303	B14-91	072364	B14-94
072182	B14-78	072243	B14-80	072304	B14-91	072365	B14-94
072183	B14-78	072244	B14-80	072305	B14-91	072366	B14-94
072184	B14-79	072245	B14-80	072306	B14-91	072367	B14-94
072185	B14-79	072246	B14-80	072307	B14-91	072368	B14-94
072186	B14-79	072247	B14-80	072308	B14-91	072369	B14-94
072187	B14-79	072248	B14-80	072309	B14-91	072370	B14-94
072188	B14-79	072249	B14-80	072310	B14-91	072371	B14-94
072189	B14-79	072250	B14-80	072311	B14-91	072372	B14-94
072190	B14-79	072251	B14-80	072312	B14-91	072373	B14-94
072191	B14-79	072252	B14-80	072313	B14-91	072374	B14-94
072192	B14-79	072253	B14-80	072314	B14-91	072375	B14-94
072193	B14-79	072254	B14-80	072315	B14-91	072376	B14-94
072194	B14-79	072255	B14-80	072316	B14-91	072377	B14-94
072195	B14-79	072256	B14-80	072317	B14-91	072378	B14-94
072196	B14-79	072257	B14-80	072318	B14-91	072379	B14-94
072197	B14-79	072258	B14-80	072319	B14-91	072380	B14-94
072198	B14-78	072259	B14-80	072320	B14-91	072382	B14-94
072199	B14-78	072260	B14-80	072321	B14-91	072383	B14-94
072200	B14-78	072262	B14-80	072322	B14-91	072384	B14-94
072201	B14-78	072263	B14-80	072323	B14-91	072385	B14-94
072202	B14-78	072264	B14-80	072324	B14-91	072386	B12-37
072203	B14-78	072265	B14-80	072325	B14-91	072387	B12-37
072204	B14-78	072266	B14-80	072326	B14-91	072388	B12-37
072205	B14-78	072267	B14-80	072327	B14-91	072389	B12-37
072206	B14-78	072268	B14-80	072328	B14-91	072390	B12-37
072207	B14-78	072269	B14-80	072329	B14-91	072391	B12-37
072208	B14-78	072270	B14-80	072330	B14-91	072392	B12-37
072209	B14-78	072271	B14-80	072331	B14-91	072393	B12-37
072210	B14-78	072272	B14-80	072332	B14-91	072394	B12-37
072211	B14-78	072273	B14-80	072333	B14-91	072395	B12-37
072212	B14-79	072274	B14-80	072334	B14-91	072396	B12-37
072213	B14-79	072275	B14-80	072335	B14-91	072397	B12-37
072214	B14-79	072276	B14-91	072336	B14-91	072398	B12-37
072215	B14-79	072277	B14-91	072337	B14-91	072399	B12-37
072216	B14-79	072278	B14-91	072338	B14-94	072400	B12-37
072217	B14-79	072279	B14-91	072339	B14-94	072401	B12-37
072218	B14-79	072280	B14-91	072340	B14-94	072402	B12-37

PART NUMBER INDEX



Part Number	Page	Part Number	Page	Part Number	Page	Part Number	Page
072403	B12-37	072692	B14-60	073006	B4-100	074254	B6-50
072404	B12-37	072693	B14-60	073007	B2-24	074287	B4-48
072405	B12-37	072706	B14-60	073008	B2-30	074288	B4-48
072406	B12-37	072708	B14-60	073065	B4-100	074308	B6-46
072407	B12-37	072710	B14-60	073069	B6-52	074353	B5-14
072408	B12-37	072711	B14-60	073070	B14-58	074372	B6-42
072409	B12-37	072742	B14-60	073071	B14-58	074381	B4-28
072410	B12-37	072744	B14-60	073072	B6-31	074396	B4-40
072411	B12-37	072746	B14-60	073139	B4-50	074505	B4-88
072412	B12-37	072747	B14-60	073222	B5-28	074512	B2-26
072413	B12-37	072771	B14-60	073224	B2-64	074530	B4-99
072490	B14-60	072772	B14-60	073279	B6-34	074593	B6-12
072492	B14-60	072786	B14-60	073280	B4-100	074613	B14-58
072500	B14-106	072789	B14-60	073282	B4-12	074614	B14-58
072501	B14-106	072791	B14-60	073287	B4-84	074631	B2-26
072502	B14-106	072792	B14-60	073304	B6-22	074632	B2-64
072503	B12-50, B14-106	072820	B14-60	073332	B6-53	074714	B4-54
072504	B12-50, B14-106	072822	B14-60	073338	B6-36	074781	B6-34
072505	B12-50, B14-106	072831	B14-60	073358	B4-24	074782	B6-34
072506	B12-50, B14-106	072833	B14-60	073381	B4-14	074818	B6-28
072507	B14-106	072835	B14-60	073396	B2-31	074828	B4-99
072508	B12-50, B14-106	072836	B14-60	073406	B2-54	074867	B14-58
072509	B12-50, B14-106	072857	B14-60	073416	B4-28	074868	B14-58
072510	B12-50, B14-106	072859	B14-60	073418	B4-24	074926	B4-24
072511	B14-106	072895	B14-65, B16-20	073430	B4-72	074935	B4-74
072512	B12-50, B14-106	072896	B14-65, B16-20	073479	B6-22	074989	B16-14
072513	B12-50, B14-106	072897	B14-65, B16-20	073492	B4-42	075014	B4-90
072514	B12-50, B14-106	072898	B14-65, B16-20	073561	B14-56	075020	B4-62
072515	B14-106	072899	B14-65, B16-20	073562	B14-56	075045	B6-12
072516	B14-106	072900	B14-65, B16-20	073634	B4-90, B4-94	075048	B6-16
072517	B14-106	072901	B14-65, B16-20	073638	B2-56	075049	B6-16
072518	B12-50, B14-106	072902	B14-65, B16-20	073651	B2-56	075051	B6-16
072519	B14-106	072903	B14-65, B16-20	073662	B4-34	075052	B6-16
072520	B12-50, B14-106	072904	B14-65, B16-20	073669	B4-50	075096	B2-46
072521	B14-106	072905	B14-65, B16-20	073687	B6-50	075105	B4-26
072522	B12-50, B14-106	072906	B14-65, B16-20	073724	B4-16	075153	B6-46
072523	B12-50, B14-106	072907	B14-65, B16-20	073753	B6-28	075154	B16-14
072524	B14-106	072910	B14-60	073769	B4-56	075221	B5-28
072525	B14-106	072911	B14-60	073772	B4-100	075222	B5-28
072526	B12-50, B14-106	072912	B14-65, B16-20	073793	B4-74	075248	B2-31
072527	B14-106	072913	B14-65, B16-20	073848	B6-22	075262	B4-28
072528	B14-106	072914	B14-65, B16-20	073849	B5-28	075286	B6-51
072529	B12-50, B14-106	072915	B14-65, B16-20	073850	B5-28	075306	B14-58
072530	B14-106	072916	B14-65, B16-20	073911	B4-62	075313	B5-44
072531	B14-106	072917	B14-65, B16-20	073914	B6-22	075314	B5-44
072532	B12-50	072918	B14-65, B16-20	073924	B6-12	075329	B4-16
072533	B14-106	072919	B14-65, B16-20	073926	B6-12	075431	B14-58
072534	B14-106	072920	B14-65, B16-20	073938	B14-58	075432	B14-58
072535	B12-50	072921	B14-65, B16-20	073950	B4-60	075444	B14-58
072536	B14-106	072922	B14-65, B16-20	073960	B5-12	075489	B5-32
072564	B14-60	072923	B14-65, B16-20	073970	B4-70	075524	B6-54
072565	B14-60	072924	B14-65, B16-20	073992	B4-18	075546	B3-8
072566	B14-60	072954	B14-60	074008	B4-59	075676	B5-28
072567	B14-60	072955	B14-60	074017	B5-34	075677	B5-28
072572	B14-60	072958	B14-60	074115	B14-60	075679	B5-38
072573	B14-60	072959	B14-60	074117	B14-60	075697	B3-18
072574	B14-60	072962	B14-60	074162	B4-12	075700	B5-36
072575	B14-60	072963	B14-60	074163	B6-44	075714	B4-90, B4-94
072688	B14-60	072966	B14-60	074223	B4-99	075728	B6-54
072690	B14-60	072967	B14-60	074237	B4-100	075765	B4-54

PART NUMBER INDEX



Part Number	Page	Part Number	Page	Part Number	Page	Part Number	Page
075775	B3-21	076058	B3-21	076118	B3-39	076178	B3-24
075792	B5-44	076059	B3-21	076119	B3-39	076179	B3-24
075913	B2-35	076060	B3-21	076120	B3-39	076180	B3-24
076000	B3-8	076061	B3-21	076121	B3-39	076181	B3-28
076001	B3-8	076062	B3-21	076122	B3-39	076182	B3-28
076002	B3-8	076063	B3-23	076123	B3-39	076183	B3-28
076003	B3-8	076064	B3-23	076124	B3-39	076184	B3-28
076004	B3-8	076065	B3-23, B3-24	076125	B3-14	076185	B3-28
076005	B3-8, B3-14	076066	B3-23	076126	B3-14	076186	B3-28
076006	B3-8	076067	B3-23	076127	B3-14	076187	B3-28
076007	B3-8	076068	B3-23	076128	B3-14	076188	B3-26, B3-28
076008	B3-10	076069	B3-23	076129	B3-14	076189	B3-28
076009	B3-10	076070	B3-23	076130	B3-14	076190	B3-34
076010	B3-10	076071	B3-23	076131	B3-14	076191	B3-34
076011	B3-10	076072	B3-23	076132	B3-10, B3-14	076192	B3-34
076012	B3-10	076073	B3-23	076133	B3-10, B3-14	076193	B3-34
076014	B3-10	076074	B3-23	076134	B3-14	076194	B3-34
076015	B3-10	076075	B3-23	076135	B3-10, B3-14	076195	B3-34
076016	B3-10	076076	B3-25	076136	B3-14	076196	B3-36
076017	B3-16	076077	B3-25	076137	B3-14	076197	B3-32, B3-36
076018	B3-16	076078	B3-25	076138	B3-14	076198	B3-36
076019	B3-16	076079	B3-25	076139	B3-14	076199	B3-36
076020	B3-16	076080	B3-25	076140	B3-14	076200	B3-32, B3-36
076021	B3-16	076081	B3-25, B3-28	076141	B3-19	076201	B3-36
076022	B3-16	076082	B3-25	076142	B3-19	076202	B3-36
076023	B3-16	076083	B3-25	076143	B3-19	076203	B3-36
076024	B3-16	076084	B3-26	076144	B3-19	076204	B3-40
076025	B3-16	076085	B3-26	076145	B3-19	076205	B3-40
076026	B3-16	076086	B3-26	076146	B3-19	076206	B3-40
076027	B3-16	076087	B3-26	076147	B3-19	076207	B3-40
076028	B3-16	076088	B3-26	076148	B3-18, B3-19	076208	B3-40
076029	B3-16	076089	B3-26	076149	B3-19	076209	B3-40
076030	B3-16	076090	B3-26	076150	B3-22	076210	B3-40
076031	B3-17	076091	B3-30	076151	B3-22	076211	B3-39, B3-40
076032	B3-17	076092	B3-30	076152	B3-22	076212	B3-40
076033	B3-17	076093	B3-30	076153	B3-22	076213	B3-40
076034	B3-17	076094	B3-30	076154	B3-22	076214	B3-39, B3-40
076035	B3-17	076095	B3-30	076155	B3-22	076215	B3-40
076036	B3-17	076096	B3-30, B3-34	076156	B3-22	076216	B3-40
076037	B3-17	076097	B3-30	076157	B3-21, B3-22	076217	B3-40
076038	B3-17	076098	B3-30	076158	B3-22	076218	B3-40
076039	B3-18	076099	B3-30	076159	B3-22	076219	B3-40
076040	B3-18	076100	B3-32	076160	B3-21, B3-22	076220	B3-8
076041	B3-18	076101	B3-32	076161	B3-22	076221	B3-8
076042	B3-18	076102	B3-32	076162	B3-22	076222	B3-8
076043	B3-18	076103	B3-32	076163	B3-22, B3-23	076223	B3-8
076044	B3-18	076104	B3-32	076164	B3-22	076224	B3-10
076045	B3-18	076105	B3-32	076165	B3-22	076225	B3-10
076046	B3-20	076106	B3-32	076166	B3-24	076226	B3-10
076047	B3-20	076107	B3-32	076167	B3-24	076227	B3-10
076048	B3-20	076108	B3-38	076168	B3-24	076228	B3-10
076049	B3-20	076109	B3-38	076169	B3-24	076229	B3-10
076050	B3-20	076110	B3-38	076170	B3-24	076230	B3-10
076051	B3-20	076111	B3-38	076171	B3-24	076231	B3-16
076052	B3-20	076112	B3-38	076172	B3-24	076232	B3-16
076053	B3-20	076113	B3-38, B3-40	076173	B3-24	076233	B3-16
076054	B3-20	076114	B3-38	076174	B3-24	076234	B3-16
076055	B3-21	076115	B3-38	076175	B3-24	076235	B3-16
076056	B3-21	076116	B3-39, B3-40	076176	B3-23, B3-24	076236	B3-16
076057	B3-21	076117	B3-39	076177	B3-24	076237	B3-16

PART NUMBER INDEX



Part Number	Page	Part Number	Page	Part Number	Page	Part Number	Page
076238	B3-16	076299	B3-14	076416	B3-28	077237	B10-34
076239	B3-17	076300	B3-14	076545	B3-12	077238	B10-34
076240	B3-17	076301	B3-14	076548	B6-22	077239	B10-34
076241	B3-17	076302	B3-14	076558	B4-100	077240	B10-34
076242	B3-17	076303	B3-14	076584	B2-32	077241	B10-34
076243	B3-18	076304	B3-14	076602	B4-38	077242	B10-34
076244	B3-18	076305	B3-14	076608	B6-34	077243	B10-34
076245	B3-18	076306	B3-14	076609	B4-58	077244	B10-34
076246	B3-20	076307	B3-19	076648	B3-22	077245	B10-34
076247	B3-20	076308	B3-19	076649	B3-21	077246	B10-34
076248	B3-20	076309	B3-19	076670	B16-14	077247	B10-34
076249	B3-20	076310	B3-19	076714	B6-16	077248	B10-34
076250	B3-20	076311	B3-19	076763	B5-14	077249	B10-34
076251	B3-21	076312	B3-19	076777	B6-46	077250	B10-34
076252	B3-21	076313	B3-22	076841	B2-56	077251	B10-34
076253	B3-21	076314	B3-22	077192	B10-39	077252	B10-34
076254	B3-21	076315	B3-22	077193	B10-39	077253	B10-34
076255	B3-21	076316	B3-22	077194	B10-39	077254	B10-34
076256	B3-21	076317	B3-22, B3-24	077195	B10-39	077255	B10-34
076257	B3-23	076318	B3-22	077196	B10-39	077256	B10-34
076258	B3-23	076319	B3-22	077197	B10-39	077257	B10-34
076259	B3-23	076320	B3-22	077198	B10-39	077258	B10-34
076260	B3-23	076321	B3-22	077199	B10-39	077259	B10-34
076261	B3-23	076322	B3-22	077200	B10-39	077260	B10-34
076262	B3-23	076323	B3-22	077201	B10-39	077261	B10-34
076263	B3-23	076324	B3-24	077202	B10-39	077262	B10-34
076264	B3-23	076325	B3-24	077203	B10-39	077263	B10-34
076265	B3-25	076326	B3-24	077204	B10-39	077264	B10-34
076266	B3-25	076328	B3-24	077205	B10-39	077265	B10-34
076267	B3-25	076329	B3-24	077206	B10-39	077266	B10-34
076268	B3-25	076330	B3-24	077207	B10-39	077267	B10-36
076269	B3-26	076331	B3-24	077208	B10-39	077268	B10-36
076270	B3-26	076332	B3-24	077209	B10-39	077269	B10-36
076271	B3-26	076333	B3-24	077210	B10-39	077270	B10-36
076272	B3-26	076334	B3-34	077211	B10-39	077271	B10-36
076273	B3-26	076335	B3-34	077212	B10-39	077272	B10-36
076274	B3-30	076336	B3-34	077213	B10-39	077273	B10-36
076275	B3-30	076337	B3-34	077214	B10-39	077274	B10-36
076276	B3-30	076338	B3-34	077215	B10-39	077275	B10-36
076277	B3-30	076339	B3-36	077216	B10-39	077276	B10-36
076278	B3-30	076340	B3-36	077217	B10-39	077277	B10-36
076279	B3-32	076341	B3-36	077218	B10-39	077278	B10-36
076280	B3-32	076342	B3-36	077219	B10-39	077279	B10-36
076281	B3-32	076343	B3-36	077220	B10-39	077280	B10-36
076282	B3-32	076344	B3-40	077221	B10-34	077281	B10-36
076283	B3-32	076346	B3-40	077222	B10-34	077282	B10-36
076284	B3-32	076347	B3-40	077223	B10-34	077283	B10-36
076286	B3-38	076348	B3-40	077224	B10-34	077284	B10-36
076287	B3-38, B3-40	076349	B3-40	077225	B10-34	077285	B10-36
076288	B3-38	076350	B3-40	077226	B10-34	077286	B10-36
076289	B3-39	076351	B3-40	077227	B10-34	077287	B10-36
076290	B3-39	076352	B3-40	077228	B10-34	077288	B10-36
076291	B3-39	076353	B3-40	077229	B10-34	077289	B10-36
076292	B3-39	076354	B3-40	077230	B10-34	077290	B10-36
076293	B3-39	076410	B3-28	077231	B10-34	077291	B10-36
076294	B3-39	076411	B3-28	077232	B10-34	077292	B10-36
076295	B3-39	076412	B3-28	077233	B10-34	077293	B10-36
076296	B3-14	076413	B3-28	077234	B10-34	077294	B10-36
076297	B3-14	076414	B3-28	077235	B10-34	077295	B10-36
076298	B3-14	076415	B3-28	077236	B10-34	077296	B10-36

Plummer Blocks
Sleeve Bearings
SLEEVOIL
Take-Up Frames
Engineering
Part Number Index
Keyword Index



PART NUMBER INDEX

Part Number	Page	Part Number	Page	Part Number	Page	Part Number	Page
077297	B10-36	079993	B16-17	089035	B19-37	104022	B11-36
077298	B10-36	087172	B11-9	089036	B19-37	104023	B11-36
077299	B10-36	087178	B11-9	089037	B19-37	104024	B11-36
077300	B10-36	087180	B11-9	089038	B19-37	104025	B11-36
077416	B5-12	087181	B11-9	089039	B19-37	104026	B11-36
077417	B5-12	087182	B11-9	089040	B19-37	104027	B11-36
077418	B3-16	087183	B11-9	089041	B19-37	104028	B11-36
077453	B3-12	087184	B11-9	089042	B19-37	104029	B11-36
077458	B14-58	087185	B11-9	089043	B19-37	104030	B11-36
077462	B3-26	087186	B11-9	089044	B19-37	104031	B11-36
077471	B5-18	087187	B11-9	089045	B19-37	104032	B11-36
077473	B14-58	087188	B11-11	089046	B19-37	104033	B11-36
077481	B16-14	087189	B11-11	089047	B19-37	104034	B11-36
077561	B14-58	087190	B11-11	089048	B19-37	104035	B11-36
077646	B14-56	087191	B11-11	089150	B19-37	104036	B11-36
077647	B14-56	087192	B11-11	089151	B19-37	104037	B11-36
077648	B14-56	087193	B11-11	089152	B19-37	104038	B11-36
077649	B14-56	087194	B11-14	089153	B19-37	104039	B11-36
077650	B14-56	087195	B11-14	089154	B19-37	104040	B11-13
077651	B14-56	087196	B11-14	089155	B19-37	104041	B11-13
077652	B14-58	087197	B11-14	089156	B19-37	104042	B11-13
077660	B14-58	087198	B11-14	089600	B19-37	104043	B11-13
077661	B14-58	087199	B11-14	089601	B19-37	104044	B11-13
077662	B14-58	087200	B11-14	089602	B19-37	104045	B11-13
077773	B3-18	087205	B11-14	089603	B19-37	104046	B11-13
077777	B4-26	087207	B11-14	089604	B19-37	104050	B11-13
077897	B14-58	087209	B11-14	089782	B19-15	104051	B11-13
077921	B4-97	087210	B11-14	089783	B19-15	104052	B11-13
077923	B4-97	087211	B11-14	089784	B19-15	104053	B11-13
077940	B4-97	087212	B11-14	089785	B19-15	104054	B11-13
077941	B4-97	087215	B11-14	089786	B19-15	104055	B11-13
077942	B4-97	087218	B11-14	089787	B19-15	104056	B11-13
077943	B4-97	087220	B11-14	089788	B19-15	104078	B11-13
077944	B4-97	087221	B11-14	089789	B19-15	104090	B11-13
077945	B4-97	087222	B11-14	089790	B19-15	104106	B11-13
077946	B4-97	087224	B11-14	089791	B19-15	104119	B11-13
077947	B4-97	087225	B11-14	089792	B19-15	104160	B11-36
077948	B4-97	087262	B11-9	089793	B19-15	104161	B11-36
077949	B4-97	087263	B11-9	089794	B19-15	104162	B11-36
077950	B4-97	087264	B11-9	089795	B19-15	104164	B11-36
077957	B4-97	087265	B11-9	089796	B19-15	104169	B11-36
077958	B4-97	087266	B11-9	089797	B19-15	104170	B11-36
077959	B4-97	087267	B11-9	089798	B19-15	104172	B11-36
077960	B4-97	087268	B11-9	089799	B19-15	104173	B11-36
077976	B4-97	087269	B11-9	089800	B19-15	104176	B11-36
077977	B4-97	089020	B19-37	089801	B19-15	104177	B11-36
077978	B4-97	089021	B19-37	089802	B19-15	104181	B11-36
077979	B4-97	089022	B19-37	089803	B19-15	104195	B11-36
077980	B4-97	089023	B19-37	089804	B19-15	104196	B11-36
077981	B4-97	089024	B19-37	093733	B4-36	104197	B11-36
077982	B4-97	089025	B19-37	104003	B11-36	104199	B11-36
077983	B4-97	089026	B19-37	104006	B11-36	104204	B11-36
077984	B4-97	089027	B19-37	104010	B11-36	104205	B11-36
077985	B4-97	089028	B19-37	104013	B11-36	104207	B11-36
077986	B4-97	089029	B19-37	104016	B11-36	104208	B11-36
077993	B4-97	089030	B19-37	104017	B11-36	104211	B11-36
077995	B4-97	089031	B19-37	104018	B11-36	104212	B11-36
077996	B4-97	089032	B19-37	104019	B11-36	104216	B11-36
079991	B16-17	089033	B19-37	104020	B11-36	123069	B2-42
079992	B16-17	089034	B19-37	104021	B11-36	123070	B2-42

PART NUMBER INDEX



Part Number	Page	Part Number	Page	Part Number	Page	Part Number	Page
123071	B2-42	123409	B2-42	123731	B4-38	123820	B4-14
123072	B2-42	123413	B2-42	123732	B4-38	123821	B4-14
123073	B2-42	123419	B4-94	123733	B4-38, B4-44	123822	B4-14
123074	B2-42	123420	B4-94	123734	B4-38	123823	B4-14
123075	B2-42	123460	B2-42	123735	B4-39	123824	B4-12
123076	B2-42	123469	B4-88	123736	B4-39	123828	B4-12
123077	B2-42	123580	B8-8	123737	B4-39	123829	B4-14
123170	B4-12	123581	B8-8	123738	B4-39	123830	B4-12, B4-20
123171	B4-20	123582	B8-8	123740	B4-58	123831	B4-12, B4-20
123172	B4-34	123583	B8-10	123741	B4-58	123835	B4-12
123173	B4-54	123584	B8-10	123742	B4-58	123836	B4-12
123174	B4-70	123585	B8-10	123743	B4-58, B4-62	123839	B4-14
123175	B4-74	123586	B8-10	123744	B4-58	123854	B4-20
123176	B4-86	123587	B8-10	123745	B4-58	123855	B4-20
123177	B4-87	123588	B8-10	123746	B4-59	123856	B4-20
123183	B4-16	123589	B4-20, B8-8	123747	B4-59	123857	B4-20
123184	B4-38	123590	B8-8	123748	B4-59	123858	B4-20
123234	B2-42	123593	B8-10	123749	B4-59	123860	B4-20
123235	B8-24	123595	B8-12	123750	B4-59	123861	B4-20
123326	B4-90	123596	B8-12	123751	B4-59	123862	B4-20
123328	B4-88, B4-97	123597	B8-12	123753	B4-12	123863	B4-20
123329	B4-88, B4-97	123598	B8-12	123754	B4-12	123864	B4-20
123330	B4-88	123599	B8-12	123755	B4-44	123865	B4-20
123331	B4-88	123600	B8-12	123756	B4-44	123866	B4-20
123332	B4-88	123601	B8-12	123757	B4-44	123867	B4-20
123333	B4-88	123602	B8-12	123758	B4-44	123868	B4-20
123334	B4-88	123603	B8-12	123760	B4-62	123869	B4-20
123335	B4-88	123604	B8-8	123761	B4-62	123870	B4-20
123336	B4-88	123605	B8-12	123762	B4-62	123871	B4-20
123337	B4-88	123606	B8-8	123763	B4-62	123872	B4-20
123338	B4-88	123607	B8-12	123764	B4-62	123873	B4-20
123339	B4-88, B4-94	123610	B8-14	123765	B4-62	123874	B4-20
123340	B4-88	123611	B8-14	123766	B4-62	123875	B4-20
123341	B4-88	123612	B8-14	123767	B4-62	123877	B4-12
123342	B4-90, B4-94	123613	B8-14	123768	B4-62	123878	B4-12
123343	B4-90	123614	B8-14	123769	B4-62	123879	B4-12
123344	B4-90	123615	B8-14	123781	B4-12	123894	B4-12
123345	B4-90	123616	B8-14	123782	B4-14	123903	B4-16
123346	B4-90	123617	B8-14	123783	B4-14	123904	B4-16
123347	B4-90	123618	B8-14	123784	B4-14	123905	B4-16
123348	B4-90	123619	B8-14	123790	B4-16	123906	B4-16
123349	B4-90	123625	B8-16	123792	B4-12	123907	B4-16, B4-28
123350	B4-90	123626	B8-16	123793	B4-14	123908	B4-16
123352	B4-90	123627	B8-16	123803	B4-12	123909	B4-18
123353	B4-94	123628	B8-16	123804	B4-12	123910	B4-18
123354	B4-94	123629	B8-16	123805	B4-12	123911	B4-18
123355	B4-94	123630	B8-16	123806	B4-12	123912	B4-18
123356	B4-94	123631	B8-16	123807	B4-12	123913	B4-18
123357	B4-94	123632	B8-16	123808	B4-12	123914	B4-18
123358	B4-90, B4-94	123633	B8-16	123809	B4-12	123915	B4-18
123359	B4-94	123634	B8-16	123810	B4-12, B4-24, B4-26	123916	B4-16
123360	B4-90, B4-94	123636	B4-14	123811	B4-12	123918	B4-22
123361	B4-94	123652	B8-16	123812	B4-12	123919	B4-16
123362	B4-90, B4-94	123680	B8-18	123813	B4-12	123932	B4-12
123363	B4-94	123693	B4-22	123814	B4-14	123933	B4-12, B4-26
123364	B4-94	123694	B8-14	123815	B4-14	123936	B4-22
123365	B4-94	123725	B4-16, B4-22	123816	B4-14	123938	B4-22
123366	B4-94	123727	B4-20	123817	B4-14	123939	B4-14
123367	B4-94	123728	B4-14	123818	B4-14	123958	B4-16, B4-22
123368	B4-88	123730	B4-38	123819	B4-14	123959	B4-22



PART NUMBER INDEX

Part Number	Page	Part Number	Page	Part Number	Page	Part Number	Page
123960	B4-22	124240	B4-86	124446	B4-50	124640	B4-46
123961	B4-22	124242	B4-86	124447	B4-50	124641	B4-46
123962	B4-22	124244	B4-38	124448	B4-50	124642	B4-46
123963	B4-22	124245	B4-86	124450	B4-50	124643	B4-46
123964	B4-22	124246	B4-58	124460	B4-32	124644	B4-46
123965	B4-22	124250	B4-87	124461	B4-32	124645	B4-46
123966	B4-22	124251	B4-87	124462	B4-32	124646	B4-46
123987	B4-14	124253	B4-87	124463	B4-32	124647	B4-46
124034	B4-36	124256	B4-34	124464	B4-32	124648	B4-46
124048	B4-54	124261	B4-56	124465	B4-32	124649	B4-46
124049	B4-54	124268	B4-36	124466	B4-32	124650	B4-46
124098	B4-54	124269	B4-36	124467	B4-32	124651	B4-46
124099	B4-54	124270	B4-36	124468	B4-32	124652	B4-46
124100	B4-54	124274	B4-34	124469	B4-32	124653	B4-46
124101	B4-54	124275	B4-34	124470	B4-32	124660	B4-46
124102	B4-54	124276	B4-34, B4-42	124471	B4-32	124661	B4-46
124103	B4-54	124277	B4-34	124472	B4-32	124662	B4-46
124148	B4-87	124278	B4-34	124473	B4-32	124663	B4-46
124149	B4-87	124279	B4-36	124474	B9-12	124664	B4-46
124166	B4-34	124280	B4-36	124478	B4-32	124665	B4-46
124167	B4-34	124282	B4-36	124479	B4-32	124666	B4-46
124170	B4-34	124290	B4-84	124480	B4-32	124667	B4-46
124171	B4-34	124291	B4-84	124567	B4-54	124668	B4-46
124172	B4-34	124292	B4-84	124578	B4-66	124669	B4-46
124173	B4-34	124293	B4-84	124579	B4-66	124670	B4-46
124174	B4-34	124299	B4-84	124582	B4-66	124671	B4-46
124175	B4-34	124373	B4-36	124587	B4-66	124672	B4-46
124176	B4-34	124393	B4-86	124590	B9-22	124673	B4-46
124198	B4-34	124394	B4-87	124591	B9-22	124676	B9-18
124199	B4-34	124395	B4-59	124600	B4-52	124677	B9-18
124204	B4-54	124404	B4-84	124601	B4-52	124678	B9-18
124205	B4-54	124405	B4-84	124602	B4-52	124697	B9-18
124206	B4-54, B4-60	124406	B4-84	124603	B4-52	124729	B4-66
124207	B4-54	124408	B4-84	124604	B4-52	124748	B9-18
124208	B4-54	124409	B4-84	124605	B4-52	124749	B9-18
124209	B4-56	124410	B4-34	124606	B4-52	124785	B4-34
124210	B4-56	124411	B4-34	124607	B4-52	124794	B4-39
124211	B4-56	124412	B4-36	124608	B4-52	124872	B4-18
124212	B4-56	124413	B4-36	124609	B4-52	124931	B2-42
124213	B4-56	124419	B4-84	124610	B4-52	124932	B2-42
124214	B4-56	124420	B4-86	124611	B4-52	124933	B8-10
124215	B4-56	124421	B4-86	124612	B4-52	124934	B4-52
124216	B4-56	124422	B4-86	124613	B4-52	124941	B4-20
124217	B4-56	124423	B4-86	124614	B4-34	124942	B4-36
124218	B4-54	124424	B4-86	124618	B4-34	124943	B4-20
124219	B4-54	124427	B4-87	124620	B4-52	124944	B4-20
124220	B4-56	124428	B4-87	124621	B4-52	124996	B4-84
124224	B4-66, B4-68	124429	B4-87	124622	B4-52	125004	B2-42
124225	B4-66	124430	B4-87	124623	B4-52	125005	B2-42
124226	B4-66	124435	B4-50	124624	B4-52	125010	B4-74
124227	B4-66	124436	B4-50	124625	B4-52	125011	B4-74
124228	B4-66	124437	B4-50	124626	B4-52	125012	B4-74
124229	B4-66	124438	B4-50	124627	B4-52	125050	B4-70
124230	B4-66	124439	B4-50	124628	B4-52	125051	B4-70
124231	B4-66	124440	B4-50	124629	B4-52	125052	B4-70
124232	B4-66	124441	B4-50	124630	B4-52	125054	B4-70
124233	B4-66	124442	B4-50	124631	B4-52	125071	B4-76
124235	B4-66	124443	B4-50	124632	B4-52	125113	B4-74
124236	B4-66	124444	B4-50	124633	B4-52	125114	B4-74
124237	B4-66	124445	B4-50	124634	B9-22	125115	B4-76

PART NUMBER INDEX



Part Number	Page	Part Number	Page	Part Number	Page	Part Number	Page
125116	B4-76	125516	B8-14	125636	B4-97, B8-24	125698	B8-16
125117	B4-76	125517	B8-14	125637	B8-24	125699	B8-16
125118	B4-76	125518	B8-14	125638	B8-24	125700	B8-16
125119	B4-76	125519	B8-14	125639	B8-24	125701	B8-16
125120	B4-74	125520	B8-14	125640	B8-24	125702	B8-16
125121	B4-76	125521	B8-14	125641	B8-24	125703	B8-14
125151	B4-76	125522	B8-14	125642	B8-24	125704	B8-14
125153	B4-70	125523	B8-14	125643	B8-24	125705	B8-14
125154	B4-70, B4-73	125524	B8-16	125644	B9-34	125706	B8-14
125155	B4-70	125525	B8-16	125645	B9-34	125707	B8-14
125156	B4-72	125526	B8-16	125646	B9-34	125708	B8-14
125157	B4-72	125527	B8-16	125647	B9-34	125709	B8-14
125158	B4-72	125528	B8-16	125648	B9-34	125710	B8-14
125159	B4-72	125529	B8-16, B9-16	125649	B9-34	125711	B9-6
125160	B4-72	125530	B8-16	125650	B9-34	125712	B9-6
125162	B4-72	125531	B8-16	125651	B9-34	125713	B9-6
125169	B4-14, B4-26	125533	B8-18	125652	B9-34	125714	B9-6
125170	B4-56, B4-60	125534	B8-18	125655	B7-12	125715	B9-6
125171	B4-36, B4-42	125535	B8-18	125656	B7-12	125716	B9-10
125328	B4-70	125536	B8-18	125657	B7-12	125717	B9-8
125329	B4-70	125537	B8-18	125658	B7-12	125718	B9-8
125343	B4-74	125538	B8-18	125659	B7-12	125719	B9-8
125344	B4-74	125539	B8-18	125660	B7-18	125720	B9-24
125355	B4-74	125540	B8-18	125661	B7-14	125721	B9-24
125356	B4-74	125541	B8-18	125662	B7-14	125722	B9-24
125357	B4-74	125542	B8-18	125663	B7-14	125723	B9-24
125358	B4-74	125543	B8-18	125664	B7-14	125724	B9-24
125359	B4-74	125544	B8-18	125665	B7-14	125725	B9-24
125360	B4-74, B4-78	125545	B8-18	125666	B7-28	125726	B9-24
125361	B4-74	125546	B8-18	125667	B7-28	125727	B9-24
125362	B4-76	125547	B8-18	125668	B7-28	125728	B9-24
125363	B4-76	125548	B8-18	125669	B7-28	125730	B9-16
125364	B4-76	125549	B8-20	125670	B7-28	125731	B9-16
125365	B4-70	125550	B8-20	125671	B7-28	125732	B9-16
125366	B4-70	125551	B8-20	125672	B7-28	125733	B9-16
125367	B4-70	125552	B8-20	125673	B7-28	125734	B9-16
125368	B4-70	125553	B8-20	125674	B7-28	125735	B9-16
125369	B4-70	125554	B8-20	125675	B7-28	125736	B9-16
125370	B4-72	125555	B8-20	125676	B7-28	125737	B9-16
125371	B4-72	125556	B8-20	125677	B7-24	125751	B8-8
125372	B4-72	125557	B8-20	125678	B7-24	125752	B8-14
125373	B4-72	125558	B8-20	125679	B7-24	125760	B4-20
125378	B4-70	125559	B8-22	125680	B7-24	125768	B4-20
125384	B4-52	125560	B8-22	125681	B7-24	125800	B4-88, B4-97
125500	B8-8, B8-12	125561	B8-22	125682	B7-24	125802	B4-88
125501	B8-8, B8-12	125562	B8-22	125683	B7-24	125804	B4-88
125502	B8-8	125563	B8-22	125684	B7-24	125806	B4-88
125503	B8-8	125564	B8-22	125685	B8-8	125808	B4-88
125504	B8-8	125565	B8-22	125686	B8-8	125810	B4-90
125505	B8-10	125625	B7-40	125687	B8-8	125812	B4-90
125506	B8-10	125626	B7-40	125688	B8-8	125814	B4-90
125507	B8-12	125627	B7-40	125689	B8-10	125816	B4-90
125508	B8-12	125628	B7-40	125690	B8-12	125818	B4-90
125509	B8-12	125629	B7-40	125691	B8-10	125820	B4-90
125510	B8-12	125630	B7-40	125692	B8-10	125822	B4-90
125511	B8-12	125631	B7-40	125693	B8-10	125825	B4-94
125512	B8-12	125632	B7-40	125694	B8-16	125826	B4-94
125513	B8-8	125633	B7-40	125695	B8-16	125828	B4-94
125514	B8-8	125634	B7-40	125696	B8-16	125830	B4-94
125515	B8-8	125635	B7-40	125697	B8-16	125832	B4-94



PART NUMBER INDEX

Part Number	Page	Part Number	Page	Part Number	Page	Part Number	Page
125834	B4-94	125912	B4-74	125995	B4-80	126416	B7-20
125836	B4-94	125913	B4-74	125996	B4-80	126417	B7-20
125838	B4-94	125914	B4-74	125997	B4-80	126418	B7-20
125840	B4-94	125915	B4-76	125998	B4-80	126419	B7-20
125842	B4-94	125916	B4-76	126042	B4-36	126450	B6-16
125844	B4-94	125917	B4-76	126049	B4-84	126451	B6-16
125850	B4-12	125918	B4-76	126102	B4-34	126452	B6-16
125851	B4-12	125919	B4-76	126110	B4-28	126453	B6-16
125852	B4-12	125925	B4-24, B4-26	126112	B4-28	126454	B6-16
125853	B4-12	125926	B4-24, B4-26	126121	B5-50	126475	B7-42
125854	B4-12	125927	B4-24	126147	B4-24, B4-26	126476	B7-42
125855	B4-12	125928	B4-26	126148	B4-26	126477	B7-42
125856	B4-20	125929	B4-24, B4-26	126167	B4-68	126478	B7-42
125857	B4-14	125930	B4-24, B4-26	126168	B4-68	126479	B7-42
125858	B4-14	125931	B4-24, B4-26	126170	B4-68	126480	B6-56
125859	B4-14	125932	B4-26	126171	B4-68	126481	B6-56
125860	B4-14	125933	B4-26	126172	B4-68	126482	B6-56
125861	B4-14	125934	B4-26	126173	B4-68	126483	B6-56
125862	B4-14	125935	B4-26	126174	B4-68	126484	B6-56
125865	B4-66	125937	B4-26	126175	B4-66, B4-68	126485	B6-56
125866	B4-66	125940	B4-68	126176	B4-68	126486	B6-56
125867	B4-66	125941	B4-68	126177	B4-66, B4-68	126487	B6-56
125868	B4-66	125942	B4-68	126178	B4-68	126488	B6-56
125869	B4-66	125943	B4-68	126179	B4-66, B4-68	126489	B6-56
125870	B4-66	125944	B4-68	126180	B4-68	126495	B4-92
125871	B4-66	125945	B4-68	126182	B4-68	126496	B4-92
125872	B4-66	125946	B4-68	126183	B4-68	126497	B4-92
125873	B2-42	125947	B4-68	126184	B4-68	126498	B4-92
125874	B2-42	125948	B4-68	126186	B4-60	126499	B4-92
125875	B4-34	125949	B4-68	126187	B4-60	126500	B4-12
125876	B4-34	125954	B4-42	126188	B4-60	126502	B4-12
125877	B4-34	125955	B4-42	126189	B4-60	126503	B4-12
125878	B4-34	125956	B4-42	126190	B4-60	126504	B4-12
125879	B4-34	125957	B4-42	126191	B4-60	126505	B4-12
125880	B4-36	125958	B4-42	126192	B4-56, B4-60	126510	B4-14
125881	B4-36	125960	B4-42	126193	B4-60	126513	B4-14
125882	B4-36	125965	B4-60	126194	B4-60	126516	B4-34
125885	B4-54	125966	B4-60	126195	B4-56, B4-60	126518	B4-34, B4-42
125886	B4-54	125967	B4-60	126196	B4-60	126519	B4-34
125887	B4-54	125968	B4-60	126197	B4-60	126521	B4-36
125888	B4-54	125969	B4-60	126198	B4-60	126522	B4-36
125889	B4-54	125970	B4-60	126199	B4-60	126523	B4-36
125890	B4-56	125971	B4-60	126226	B4-60	126524	B4-54
125891	B4-56	125972	B4-60	126227	B4-60	126525	B4-54
125892	B4-56	125973	B4-60	126270	B4-60	126526	B4-54
125893	B4-56	125974	B4-60	126283	B4-56, B4-60	126528	B4-54, B4-60
125894	B4-56	125975	B4-60	126284	B4-42	126531	B4-56
125895	B4-56	125980	B4-73	126285	B4-42	126533	B4-26
125896	B4-56	125981	B4-73	126287	B4-42	126534	B4-26
125900	B4-70	125982	B4-73	126288	B4-42	126535	B4-26
125901	B4-70	125983	B4-73	126289	B4-42	126536	B4-42
125902	B4-70	125984	B4-73	126290	B4-42	126537	B4-56, B4-60
125903	B4-70	125985	B4-73	126292	B4-42	126538	B4-60
125904	B4-72	125986	B4-73	126293	B4-36, B4-42	126539	B4-60
125905	B4-72	125989	B4-78	126405	B4-24	126540	B4-60
125906	B4-72	125990	B4-78	126406	B4-24	126541	B4-60
125907	B4-72	125991	B4-78	126407	B4-24	126544	B4-72
125908	B4-72	125992	B4-78	126408	B4-24	126547	B4-14, B4-26
125910	B4-74	125993	B4-78	126409	B4-24	126548	B4-14
125911	B4-74	125994	B4-80	126415	B7-20	126601	B6-10

PART NUMBER INDEX



Part Number	Page	Part Number	Page	Part Number	Page	Part Number	Page
126602	B6-10	126685	B2-43, B6-54	127515	B2-64	127588	B2-52
126603	B6-10	126686	B2-43, B6-54	127516	B2-64	127589	B2-52
126604	B6-10	126687	B2-43, B6-54	127517	B2-64	127590	B2-52
126605	B6-10, B6-14	126688	B2-43, B6-54	127518	B2-64	127591	B2-52
126606	B6-10	126689	B2-43, B6-54	127519	B2-64	127592	B2-52
126607	B6-10	126690	B2-43, B6-54	127520	B2-64	127593	B2-65
126608	B6-10	126691	B2-43, B6-54	127521	B2-59, B2-64	127594	B2-65
126609	B6-10	126692	B2-43, B6-54	127522	B2-59, B2-64	127595	B2-65
126610	B6-10	126693	B2-43, B6-54	127523	B2-59, B2-64	127596	B2-65
126611	B6-26	126694	B2-43, B6-54	127524	B2-56	127597	B2-65
126612	B6-26	126695	B2-43, B6-54	127525	B2-56	127598	B2-65
126613	B6-26	126696	B2-43, B6-54	127526	B2-56	127599	B2-65
126614	B6-26	126697	B2-43, B6-54	127527	B2-56	127600	B2-65
126615	B6-26	126698	B2-43, B6-54	127528	B2-56	127601	B2-65
126616	B6-26	126699	B2-43, B6-54	127529	B2-56	127602	B2-57
126617	B6-26	126810	B4-24, B4-26	127530	B2-56	127603	B2-57
126618	B6-26	126811	B4-26	127531	B2-56	127604	B2-57
126619	B6-34	126812	B4-24, B4-26	127532	B2-56	127605	B2-57
126620	B6-34	126813	B4-24, B4-26	127533	B2-59	127606	B2-57
126621	B6-34	126814	B4-24, B4-26	127534	B2-59	127607	B2-57
126622	B6-34	126815	B4-14, B4-24, B4-26	127535	B2-59	127608	B2-57
126623	B6-34	126816	B4-24, B4-26	127536	B2-59	127609	B2-57
126624	B6-34	126817	B4-14, B4-24, B4-26	127537	B2-59	127610	B2-57
126625	B6-34	126818	B4-24, B4-26	127538	B2-59	127611	B2-60
126626	B6-34	126819	B4-14, B4-26	127545	B2-46	127612	B2-60
126627	B6-34	126820	B4-26	127546	B2-46	127613	B2-60
126628	B6-34	126821	B4-26	127547	B2-46	127614	B2-60
126629	B2-43, B6-54	126822	B4-26	127548	B2-46	127615	B2-60
126630	B2-43, B6-54	126823	B4-26	127549	B2-46	127616	B2-60
126631	B2-43, B6-54	126824	B4-26	127550	B2-46	127617	B2-70
126632	B2-43, B6-54	126835	B4-28	127551	B2-46	127618	B2-70
126633	B2-43, B6-54	126836	B4-28	127552	B2-51	127619	B2-70
126634	B2-43, B6-54	126837	B4-28	127553	B2-51	127620	B2-70
126635	B2-43, B6-54	126838	B4-28	127554	B2-51	127621	B2-70
126636	B6-54	126839	B4-28	127555	B2-51	127622	B2-70
126637	B6-54	126840	B4-28	127556	B2-64	127623	B2-48
126638	B6-54	126841	B4-28	127557	B2-64	127624	B2-48
126639	B6-16, B6-18	126842	B4-28	127558	B2-64	127625	B2-48
126640	B6-18	126843	B4-28	127559	B2-64	127626	B2-48
126641	B6-30	126844	B4-28	127560	B2-64	127627	B2-48
126642	B6-36	126847	B4-18, B4-28	127561	B2-64	127628	B2-48
126643	B6-36	126855	B4-26	127562	B2-64	127629	B2-48
126644	B6-58	126856	B4-26	127563	B2-56	127630	B2-52
126645	B6-58	126857	B4-26	127564	B2-56	127631	B2-52
126646	B6-28	127073	B2-42	127565	B2-56	127632	B2-52
126647	B6-28	127500	B2-46	127566	B2-56	127633	B2-52
126648	B6-28	127501	B2-46	127567	B2-56	127634	B2-65
126649	B6-28	127502	B2-46	127568	B2-56	127635	B2-65
126650	B6-28	127503	B2-46	127569	B2-56	127636	B2-65
126651	B6-28	127504	B2-46	127570	B2-59	127637	B2-65
126652	B6-28	127505	B2-46	127578	B2-48	127638	B2-65
126653	B6-38	127506	B2-46	127579	B2-48	127639	B2-65
126654	B6-38	127507	B2-46	127580	B2-48	127640	B2-65
126655	B6-38	127508	B2-46	127581	B2-48	127641	B2-57
126656	B6-38	127509	B2-51	127582	B2-48	127642	B2-57
126657	B6-38	127510	B2-51	127583	B2-48	127643	B2-57
126658	B6-38	127511	B2-51	127584	B2-48	127644	B2-57
126659	B6-38	127512	B2-51	127585	B2-48	127645	B2-57
126660	B6-40	127513	B2-51	127586	B2-48	127646	B2-57
126661	B6-38	127514	B2-51	127587	B2-52	127647	B2-57



PART NUMBER INDEX

Part Number	Page	Part Number	Page	Part Number	Page	Part Number	Page
127648	B2-60	127722	B2-28	128089	B4-64	128192	B9-26
127649	B2-60	127723	B2-32	128090	B4-64	128193	B9-26
127650	B2-60	127724	B2-32	128091	B4-64	128194	B9-26
127651	B2-60	127725	B2-32	128092	B4-48	128195	B9-26
127652	B2-70	127726	B2-32	128093	B4-48	128196	B9-26
127653	B2-70	127727	B2-32	128094	B4-48	128197	B4-30
127654	B2-70	127728	B2-32	128095	B4-48	128200	B4-106, B5-74, B6-66, B7-48
127655	B2-70	127729	B2-32	128096	B4-48	128201	B4-108, B5-76, B6-68, B7-50
127670	B2-26	127730	B2-32	128097	B4-48	128202	B4-106, B5-74, B6-66, B7-48
127671	B2-26	127731	B2-37	128106	B4-30	128203	B4-108, B5-76, B6-68, B7-50
127672	B2-26	127732	B2-37	128107	B4-30	128204	B4-106, B5-74, B6-66, B7-48
127673	B2-26	127733	B2-37	128108	B4-30	128205	B4-108, B5-76, B6-68, B7-50
127674	B2-26	127734	B2-37	128109	B4-30	128206	B4-106, B5-74, B6-66, B7-48
127675	B2-26	127735	B2-37	128110	B4-30	128207	B4-108, B5-76, B6-68, B7-50
127676	B2-26	127736	B2-37	128111	B4-30	128208	B4-106, B5-74, B6-66, B7-48
127677	B2-26	127737	B2-37	128130	B9-14	128209	B4-108, B5-76, B6-68, B7-50
127678	B2-26	127738	B2-37	128131	B9-14	128210	B4-106, B5-74, B6-66, B7-48
127679	B2-26	127739	B2-28	128132	B9-14	128211	B4-108, B5-76, B6-68, B7-50
127680	B2-26	127740	B2-28	128133	B9-14	128212	B4-106, B5-74, B6-66, B7-48
127681	B2-31	127741	B2-28	128134	B9-14	128213	B4-108, B5-76, B6-68, B7-50
127682	B2-31	127742	B2-28	128135	B9-14	128214	B4-106, B5-74, B6-66, B7-48
127683	B2-31	127743	B2-28	128136	B9-14	128215	B4-108, B5-76, B6-68, B7-50
127684	B2-31	127744	B2-28	128137	B9-19	128216	B4-106, B5-74, B6-66, B7-48
127685	B2-31	127745	B2-32	128138	B9-19	128217	B4-108, B5-76, B6-68, B7-50
127686	B2-31	127746	B2-32	128139	B9-19	128218	B4-106, B5-74, B6-66, B7-48
127687	B2-31	127747	B2-32	128140	B9-19	128219	B4-108, B5-76, B6-68, B7-50
127688	B2-31	127748	B2-32	128141	B9-19	128220	B6-70
127689	B2-36	127749	B2-32	128142	B9-19	128221	B6-70
127690	B2-36	127750	B2-32	128143	B9-19	128222	B6-70
127691	B2-36	127751	B2-37	128144	B9-23	128223	B6-70
127692	B2-36	127752	B2-37	128145	B9-23	128277	B3-41, B4-103, B5-71, B6-63, B7-45
127693	B2-36	127753	B2-37	128146	B9-23	128278	B3-41, B4-103, B5-71, B6-63, B7-45
127694	B2-36	127754	B2-37	128147	B9-23	128280	B3-41, B4-103, B5-71, B6-63, B7-45
127695	B2-36	127755	B2-37	128148	B9-23	128281	B3-41, B4-103, B5-71, B6-63, B7-45
127696	B2-36	127756	B2-37	128149	B9-23	128282	B3-41, B4-103, B5-71, B6-63, B7-45
127697	B2-26	127804	B1-34	128150	B9-23		
127698	B2-26	127808	B1-34	128151	B4-48		
127699	B2-26	127818	B1-34	128154	B4-48		
127700	B2-26	127819	B1-34	128170	B4-30		
127701	B2-26	127820	B1-34	128171	B4-30		
127702	B2-26	127821	B1-34	128172	B4-30		
127703	B2-31	127822	B1-34	128173	B4-30		
127704	B2-31	127823	B1-34	128174	B4-48		
127705	B2-31	127824	B1-34	128175	B4-48		
127706	B2-31	127825	B1-34	128176	B4-48		
127707	B2-31	127826	B1-34	128177	B4-48		
127708	B2-31	127861	B1-34	128178	B4-53		
127709	B2-36	127862	B1-34	128179	B4-53		
127710	B2-36	127863	B1-34	128180	B4-53		
127711	B2-36	127864	B1-34	128181	B4-53		
127712	B2-36	127865	B1-34	128182	B4-64		
127713	B2-36	127866	B1-34	128183	B9-14		
127714	B2-36	127867	B1-34	128184	B9-14		
127715	B2-28	128082	B4-53	128185	B9-14		
127716	B2-28	128083	B4-53	128186	B9-19		
127717	B2-28	128084	B4-53	128187	B9-19		
127718	B2-28	128085	B4-53	128188	B9-19		
127719	B2-28	128086	B4-53	128189	B9-23		
127720	B2-28	128087	B4-53	128190	B9-23		
127721	B2-28	128088	B4-64	128191	B9-23		

PART NUMBER INDEX



Part Number	Page	Part Number	Page	Part Number	Page	Part Number	Page
128283	B3-41, B4-103, B5-71, B6-63, B7-45	128444	B6-12	128705	B6-10	128769	B6-26
128284	B3-41, B4-103, B5-71, B6-63, B7-45	128446	B6-12	128706	B6-10	128770	B6-26
128285	B3-41, B4-103, B5-71, B6-63, B7-45	128449	B6-12	128707	B6-10, B6-16, B6-18	128771	B6-26
128286	B3-41, B4-103, B5-71, B6-63, B7-45	128451	B6-12	128708	B6-10	128772	B6-26
128350	B3-41, B4-103, B5-71, B6-63, B7-45	128452	B6-12	128709	B6-10	128774	B6-26
128351	B3-41, B4-103, B5-71, B6-63, B7-45	128474	B6-20	128710	B6-10, B6-14	128775	B6-34
128352	B3-41, B4-103, B5-71, B6-63, B7-45	128475	B6-20	128711	B6-10, B6-18	128776	B6-34
128353	B3-41, B4-103, B5-71, B6-63, B7-45	128476	B6-20	128712	B6-10	128777	B6-34
128354	B3-41, B4-103, B5-71, B6-63, B7-45	128477	B6-20	128713	B6-10	128778	B6-34
128355	B3-41, B4-103, B5-71, B6-63, B7-45	128478	B6-20	128714	B6-10	128779	B6-34
128356	B3-41, B4-103, B5-71, B6-63, B7-45	128479	B6-20	128715	B6-10	128780	B6-34
128357	B3-41, B4-103, B5-71, B6-63, B7-45	128480	B6-20	128717	B6-10	128781	B6-34
128358	B3-41, B4-103, B5-71, B6-63, B7-45	128481	B6-12, B6-20	128719	B6-10	128782	B6-34, B6-36
128363	B3-41, B4-103, B5-71, B6-63, B7-45	128482	B6-20	128720	B6-10	128783	B6-34
128364	B3-41, B4-103, B5-71, B6-63, B7-45	128483	B6-12, B6-20	128721	B6-14	128784	B6-34
128365	B3-41, B4-103, B5-71, B6-63, B7-45	128484	B6-20	128722	B6-14	128785	B6-34
128366	B3-41, B4-103, B5-71, B6-63, B7-45	128485	B6-12, B6-20	128723	B6-14	128786	B6-34, B6-36
128367	B3-41, B4-103, B5-71, B6-63, B7-45	128488	B6-20	128724	B6-14	128787	B6-34
128368	B3-41, B4-103, B5-71, B6-63, B7-45	128489	B6-20	128725	B6-14	128788	B6-34
128369	B3-41, B4-103, B5-71, B6-63, B7-45	128490	B6-20	128726	B6-14	128789	B6-34
128380	B6-60	128646	B2-43, B6-54	128727	B6-14	128790	B6-34
128381	B6-60	128647	B2-43, B6-54	128728	B6-14	128792	B6-34
128382	B6-60	128648	B2-43, B6-54	128729	B6-14	128794	B6-34
128383	B6-60	128649	B2-43, B6-54	128730	B6-14	128795	B6-34
128384	B6-60	128650	B2-43, B6-54	128731	B6-14	128796	B6-33
128385	B6-60	128651	B2-43, B6-54	128732	B6-14	128797	B6-33
128386	B6-60	128652	B2-43, B6-54, B6-58	128733	B6-14	128798	B6-33
128387	B6-60	128653	B2-43, B6-54	128734	B6-14	128799	B6-33
128388	B6-60	128654	B2-43, B6-54	128735	B6-14	128800	B6-33
128389	B6-60	128655	B2-43, B6-54	128736	B6-14	128801	B6-33
128390	B6-60	128656	B2-43, B6-54, B6-58	128738	B6-14	128802	B6-33
128391	B6-60	128657	B2-43, B6-54	128739	B6-14	128803	B6-33
128432	B6-12	128658	B2-43, B6-54	128741	B6-14	128804	B6-33
128435	B6-12	128659	B2-43, B6-54	128742	B6-22	128805	B6-33
128436	B6-12	128660	B2-43, B6-54	128743	B6-22	128806	B6-33
128437	B6-12	128661	B6-54, B6-58	128744	B6-22	128807	B6-33
128438	B6-12	128663	B6-54	128745	B6-22	128808	B6-38
128440	B6-12	128664	B6-54, B6-58	128746	B6-22	128809	B6-38
128441	B6-12	128665	B6-58	128747	B6-22	128810	B6-38, B6-40
128443	B6-12	128666	B6-54	128748	B6-22	128811	B6-38
		128667	B6-54	128749	B6-22	128812	B6-38
		128668	B6-58	128750	B6-22	128813	B6-38, B6-40
		128669	B6-58	128751	B6-22	128814	B6-38, B6-40
		128670	B6-58	128752	B6-22	128815	B6-38
		128671	B6-58	128753	B6-22	128816	B6-38
		128672	B2-43, B6-58	128754	B6-22	128817	B6-38
		128673	B6-58	128755	B6-22	128818	B6-38
		128674	B6-58	128756	B6-22	128820	B6-38
		128675	B6-58	128757	B6-26	128822	B6-38
		128676	B6-58	128758	B6-26	128823	B6-18
		128677	B6-54, B6-58	128759	B6-26	128824	B6-16, B6-18
		128684	B2-43, B6-54	128760	B6-26	128825	B6-16, B6-18
		128696	B6-18	128761	B6-26	128826	B6-18
		128697	B6-18	128762	B6-26	128827	B6-18
		128698	B6-18	128763	B6-26	128828	B6-18
		128700	B6-10	128764	B6-26, B6-30	128829	B6-16, B6-18
		128701	B6-10	128765	B6-26	128830	B6-10, B6-16, B6-18
		128702	B6-10	128766	B6-26	128831	B6-16, B6-18
		128703	B6-10	128767	B6-26	128832	B6-10, B6-18
		128704	B6-10	128768	B6-26	128833	B6-16, B6-18



PART NUMBER INDEX

Part Number	Page	Part Number	Page	Part Number	Page	Part Number	Page
128834	B6-10, B6-18	129045	B5-16	129202	B5-16	129262	B2-24
128835	B6-30	129046	B5-16	129203	B5-8, B5-16	129263	B2-24
128836	B6-30	129047	B5-16	129204	B5-8	129264	B2-24
128837	B6-30	129048	B5-20	129205	B5-8	129265	B2-24
128838	B6-30	129049	B5-20, B7-20	129206	B5-8	129266	B2-24
128839	B6-30	129078	B5-26, B5-30	129207	B5-8	129267	B2-24
128840	B6-30	129148	B5-24	129208	B5-8	129268	B2-24
128841	B6-30	129149	B5-10	129209	B5-8	129269	B2-24
128842	B6-26, B6-30	129150	B5-8, B5-16	129210	B5-16	129270	B2-24
128843	B6-36	129151	B5-8, B5-16	129211	B5-10	129271	B2-24
128844	B6-36	129152	B5-8	129212	B5-10	129272	B2-24
128845	B6-36	129153	B5-8	129213	B5-10	129273	B2-24
128846	B6-36	129154	B5-8	129214	B5-10	129274	B2-24
128847	B6-36	129155	B5-8	129215	B5-10	129275	B2-24
128848	B6-36	129156	B5-8	129216	B5-10	129276	B5-24
128849	B6-36	129157	B5-8	129217	B5-20	129277	B5-24
128850	B6-34, B6-36	129158	B5-8	129218	B5-20, B7-20	129278	B5-24
128851	B6-36	129159	B5-8	129219	B5-20, B7-20	129279	B5-24
128852	B6-34, B6-36	129160	B5-8	129220	B5-20	129280	B5-24
128853	B6-36	129161	B5-8, B5-20, B7-20	129221	B5-20, B7-20	129281	B5-24
128854	B6-34, B6-36	129162	B5-8	129222	B5-20, B7-20	129282	B5-24
128855	B6-40	129163	B5-8	129223	B5-20, B7-20	129283	B5-24
128856	B6-40	129164	B5-10	129224	B5-10, B5-20, B7-20	129284	B5-24
128857	B6-40	129165	B5-10	129225	B5-20, B7-20	129285	B5-24
128858	B6-40	129166	B5-10	129226	B5-10, B5-20	129286	B5-24
128859	B6-40	129167	B5-10	129227	B5-20, B7-20	129287	B5-24
128860	B6-40	129168	B5-10	129228	B5-10, B5-20	129288	B5-24
128861	B6-40	129169	B5-10	129229	B5-20	129289	B5-24
128862	B6-38, B6-40	129170	B5-10	129230	B5-20	129290	B5-24
128863	B6-40	129171	B5-10	129231	B5-20	129291	B2-50
128864	B6-38, B6-40	129172	B5-10	129232	B5-20	129292	B2-50
128865	B6-40	129173	B5-10	129233	B5-20	129293	B2-50
128866	B6-38, B6-40	129174	B5-12	129234	B5-22	129294	B2-50
128960	B1-35, B2-77	129175	B5-12	129235	B5-22	129295	B2-50
128961	B1-35, B2-77	129176	B5-12	129236	B5-22	129296	B2-50
128962	B1-35, B2-77	129177	B5-12	129237	B5-22	129297	B2-50
128963	B1-35, B2-77	129178	B5-12	129238	B5-22	129298	B2-50
128964	B1-35, B2-77	129179	B5-14	129239	B5-22	129299	B2-50
128965	B1-35, B2-77	129180	B5-14	129240	B5-22	129300	B2-50
128966	B1-35, B2-77	129181	B5-14	129241	B5-22	129301	B5-26
128974	B1-35, B2-77	129182	B5-14	129242	B5-22	129302	B5-26
128975	B1-35, B2-77	129183	B5-16	129243	B5-22	129303	B5-26
128976	B1-35, B2-77	129184	B5-16	129244	B2-44	129304	B5-26
128977	B1-35, B2-77	129185	B5-16	129245	B2-44	129305	B5-26
128978	B1-35, B2-77	129186	B5-16	129246	B2-44	129306	B5-26
128980	B1-35, B2-77	129187	B5-16	129247	B2-44	129307	B5-26
128989	B1-35, B2-77	129188	B5-16	129248	B2-44	129308	B5-26
128990	B1-35, B2-77	129189	B5-16	129249	B2-44	129309	B5-26
128991	B1-35, B2-77	129190	B5-16	129250	B2-44	129310	B5-26, B5-30
128992	B1-35, B2-77	129191	B5-16	129251	B2-44	129311	B5-26
128993	B1-35, B2-77	129192	B5-16	129252	B2-44	129312	B5-26
128994	B1-35, B2-77	129193	B5-16	129253	B2-44	129313	B5-26
128996	B1-35, B2-77	129194	B5-16	129254	B2-44	129314	B5-26, B5-30
128997	B1-35, B2-77	129195	B5-16	129255	B2-44	129315	B5-26
128998	B4-32	129196	B5-16	129256	B2-44	129316	B5-26
129040	B5-16	129197	B5-16	129257	B2-44	129317	B5-26
129041	B5-16	129198	B5-16	129258	B2-44	129318	B5-26
129042	B5-16	129199	B5-16	129259	B2-44	129319	B5-26
129043	B5-16	129200	B5-16	129260	B2-24	129320	B5-28
129044	B5-16	129201	B5-16	129261	B2-24	129321	B5-26

PART NUMBER INDEX



Part Number	Page	Part Number	Page	Part Number	Page	Part Number	Page
129322	B5-26	129384	B5-22	129467	B5-35, B5-42	129527	B5-64, B5-66
129323	B5-26	129385	B5-20	129468	B5-35, B5-42	129528	B5-66
129324	B5-26	129386	B5-22	129469	B5-36, B5-42	129529	B5-66
129325	B5-26	129387	B5-20	129470	B5-36, B5-42	129530	B2-44
129326	B5-26	129388	B5-22	129471	B5-36, B5-42	129531	B2-44
129327	B5-26	129392	B2-44	129472	B5-36, B5-42	129532	B2-44
129328	B5-26	129393	B2-44	129473	B5-36, B5-42	129533	B2-44
129329	B5-26	129394	B2-54	129474	B5-36, B5-42	129534	B2-44
129330	B5-30	129395	B2-62	129475	B5-36, B5-42	129535	B2-44
129331	B5-30	129396	B2-44	129476	B5-38, B5-44	129536	B2-44
129332	B5-30	129399	B5-12	129477	B5-38, B5-44	129537	B2-50
129333	B5-30	129417	B5-66	129478	B5-38, B5-44	129538	B2-50
129334	B5-30	129419	B5-8, B5-20	129479	B5-40, B5-44	129539	B2-50
129335	B5-30	129420	B5-8, B5-16	129480	B5-40, B5-44	129540	B2-50
129336	B5-30	129421	B5-8	129481	B5-40, B5-44	129541	B2-62
129337	B5-26, B5-30	129422	B5-8, B5-20	129482	B5-40, B5-44	129542	B2-62
129339	B2-54	129423	B5-8	129483	B5-40, B5-44	129543	B2-62
129340	B2-54	129424	B5-8, B5-20	129484	B5-40, B5-44	129544	B2-62
129341	B2-54	129425	B5-10, B5-20	129485	B5-40, B5-44	129545	B2-62
129342	B2-54	129426	B5-10, B5-20	129486	B5-42	129546	B2-62
129343	B2-54	129427	B5-10, B5-20	129487	B5-42	129547	B2-62
129344	B2-54	129428	B5-10, B5-20	129488	B5-44	129548	B2-54
129345	B2-54	129429	B5-10, B5-20	129489	B5-44	129549	B2-54
129346	B2-54	129430	B5-10, B5-20	129490	B5-26	129550	B2-54
129347	B2-54	129431	B5-10, B5-20	129491	B5-26	129551	B2-54
129348	B2-54	129432	B5-8	129492	B5-26, B5-30	129552	B2-54
129349	B2-54	129433	B5-16	129493	B5-26, B5-30	129553	B2-54
129350	B2-54	129434	B5-16	129494	B5-26, B5-30	129554	B2-54
129351	B2-54	129435	B5-16	129495	B5-26, B5-30	129555	B2-58
129352	B2-54	129436	B5-16	129496	B5-26, B5-30	129556	B2-58
129353	B2-54	129437	B5-16	129497	B5-26, B5-30	129557	B2-58
129354	B2-54	129438	B5-16	129498	B5-26, B5-30	129558	B2-58
129355	B2-30	129439	B5-16	129499	B5-28	129559	B2-24
129356	B2-30	129440	B5-16	129500	B5-28	129560	B2-24
129357	B2-30	129441	B5-16	129501	B5-46, B5-48	129561	B2-24
129358	B2-30	129442	B5-12	129502	B5-46, B5-48	129562	B2-24
129359	B2-30	129443	B5-12, B5-22	129503	B5-46, B5-48	129563	B2-24
129360	B2-30	129444	B5-12, B5-22	129504	B5-46, B5-48	129564	B2-24
129361	B2-30	129445	B5-14, B5-22	129505	B5-46, B5-48	129565	B2-24
129362	B2-30	129446	B5-14, B5-22	129506	B5-46, B5-48	129566	B2-24
129363	B2-30	129447	B5-14, B5-22	129507	B5-46, B5-48	129567	B2-35
129364	B2-30	129448	B5-14, B5-22	129508	B5-46, B5-48	129568	B2-35
129365	B2-30	129449	B5-14, B5-22	129509	B5-48	129569	B2-35
129366	B2-30	129450	B5-14, B5-22	129510	B5-48	129570	B2-35
129367	B2-30	129451	B5-22	129511	B5-33	129571	B2-35
129368	B2-30	129452	B5-12, B5-22	129512	B5-33	129572	B2-35
129369	B5-30	129453	B5-20	129513	B5-33	129573	B2-30
129371	B5-10	129454	B5-20	129514	B5-33	129574	B2-30
129372	B5-16	129455	B5-22	129515	B5-33	129575	B2-30
129373	B5-26	129456	B5-22	129516	B5-62	129576	B2-30
129374	B5-36	129457	B5-24	129517	B5-62	129577	B2-30
129375	B5-46	129458	B5-24	129518	B5-62, B5-66	129578	B2-30
129376	B5-10	129459	B5-24	129519	B5-62, B5-66	129579	B2-40
129377	B5-16	129460	B5-24	129520	B5-62, B5-66	129580	B2-40
129378	B5-26	129461	B5-24	129521	B5-64, B5-66	129581	B2-40
129379	B5-36	129462	B5-24	129522	B5-64, B5-66	129582	B2-40
129380	B5-46	129463	B5-24	129523	B5-64, B5-66	129583	B2-40
129381	B5-20	129464	B5-35	129524	B5-64, B5-66	129584	B2-40
129382	B5-22	129465	B5-35	129525	B5-64, B5-66	129585	B2-40
129383	B5-20	129466	B5-35, B5-42	129526	B5-64, B5-66	129602	B2-24, B2-44

PART NUMBER INDEX

Part Number	Page	Part Number	Page	Part Number	Page	Part Number	Page
129603	B2-44	129673	B5-36	129733	B2-35	129793	B5-64
129605	B2-24	129674	B5-36	129734	B2-35	129794	B5-64
129606	B2-24, B2-44	129675	B5-36	129735	B5-46	129795	B5-64
129611	B2-44	129676	B5-36	129736	B5-46	129796	B5-62
129612	B2-24	129677	B5-36	129737	B5-46	129797	B5-62
129613	B2-24, B2-44	129678	B5-36	129738	B5-46, B5-48	129798	B5-62
129615	B5-33	129679	B5-42	129739	B5-46	129799	B5-62
129616	B5-33	129680	B5-42	129740	B5-46	129800	B5-62
129617	B5-33	129681	B5-42	129741	B5-46, B5-48	129801	B5-64
129618	B5-33	129682	B5-42	129742	B5-46, B5-48	129802	B5-64
129619	B5-33	129683	B5-42	129743	B5-46	129803	B5-64
129620	B5-33	129684	B5-42	129744	B5-46	129804	B5-64
129621	B5-33	129685	B5-42	129745	B5-46	129805	B5-64
129622	B5-33	129686	B5-42	129746	B5-46	129806	B5-64
129623	B5-33	129687	B5-36, B5-42	129747	B5-46	129807	B5-64
129624	B5-33	129688	B5-42	129748	B5-46	129808	B5-66
129625	B5-33	129689	B5-36, B5-42	129749	B5-46	129809	B5-66
129626	B5-33	129690	B5-42	129750	B5-46	129810	B5-66
129627	B2-58	129691	B5-36, B5-42	129751	B5-46	129811	B5-66
129629	B2-58	129692	B5-42	129752	B5-46	129812	B5-66
129631	B2-58	129693	B5-42	129753	B5-46	129813	B5-66
129632	B2-58	129694	B5-42	129754	B5-46	129814	B5-66
129634	B2-58	129695	B5-42	129755	B5-46	129815	B5-64, B5-66
129635	B2-58	129696	B5-42	129756	B5-46	129816	B5-66
129637	B5-35	129697	B5-44	129757	B5-46	129817	B5-64, B5-66
129638	B5-35	129698	B5-44	129758	B5-48	129818	B5-66
129639	B5-35	129699	B5-44	129759	B5-48	129819	B5-64, B5-66
129640	B5-35	129700	B5-44	129760	B5-48	129820	B5-66
129641	B5-35	129701	B5-44	129761	B5-48	129821	B5-66
129642	B5-35	129702	B5-44	129762	B5-48	129822	B5-66
129643	B5-35	129703	B5-44	129763	B5-48	129823	B5-66
129644	B5-35	129704	B5-44	129764	B5-48	129824	B5-66
129645	B5-35	129705	B2-62	129765	B5-46, B5-48	129825	B2-40
129646	B5-35, B5-42	129706	B2-62	129766	B5-48	129826	B2-40
129647	B5-35	129707	B2-62	129767	B5-46, B5-48	129827	B2-40
129648	B5-35	129708	B2-62	129768	B5-48	129828	B2-40
129649	B5-36	129709	B2-62	129769	B5-46, B5-48	129829	B2-40
129650	B5-36	129710	B2-62	129770	B5-48	129830	B2-40
129651	B5-36	129711	B2-62	129771	B5-48	129831	B2-40
129652	B5-36	129712	B2-62	129772	B5-48	129832	B2-40
129653	B5-36	129713	B2-62	129773	B5-48	129833	B2-40
129654	B5-36	129714	B2-62	129774	B5-62	129834	B2-40
129655	B5-36	129715	B2-62	129775	B5-62	129835	B2-40
129656	B5-36	129716	B2-62	129776	B5-62	129836	B2-40
129657	B5-36	129717	B2-62	129777	B5-62	129837	B2-40
129658	B5-36	129718	B2-62	129778	B5-62	129838	B2-40
129659	B5-38	129719	B2-62	129779	B5-62	129839	B2-40
129660	B5-38	129720	B2-62	129780	B5-62	129840	B2-40
129661	B5-38	129721	B2-35	129781	B5-62	129841	B5-8
129662	B5-40	129722	B2-35	129782	B5-62	129842	B5-8
129663	B5-40	129723	B2-35	129783	B5-62, B5-66	129843	B5-8
129664	B5-40	129724	B2-35	129784	B5-62	129844	B5-64
129665	B5-40	129725	B2-35	129785	B5-62	129845	B5-64
129666	B5-40	129726	B2-35	129786	B5-64	129889	B5-66
129667	B5-35	129727	B2-35	129787	B5-64, B5-66	129890	B5-66
129668	B5-35	129728	B2-35	129788	B5-64	129891	B5-66
129669	B5-35	129729	B2-35	129789	B5-64	129892	B5-66
129670	B5-35	129730	B2-35	129790	B5-64	129893	B5-66
129671	B5-35	129731	B2-35	129791	B5-64	129894	B5-66
129672	B5-36	129732	B2-35	129792	B5-64	129895	B5-66

PART NUMBER INDEX



Part Number	Page	Part Number	Page	Part Number	Page	Part Number	Page
129896	B5-66		B2-40, B2-54, B2-62	130327	B9-16	130769	B9-12
129897	B5-66	129985	B2-40, B2-44, B2-54, B2-62	130328	B9-16	130770	B9-12
129898	B5-66			130329	B9-16	130771	B9-12
129899	B5-66	129986	B2-24, B2-30, B2-35, B2-40, B2-44, B2-54, B2-62	130330	B9-16	130772	B9-12
129967	B2-24, B2-30, B2-35, B2-40, B2-44, B2-50, B2-54, B2-58, B2-62, B2-66	129988	B2-50	130331	B9-16	130773	B9-12
129968	B2-24, B2-30, B2-35, B2-40, B2-44, B2-50, B2-54, B2-58, B2-62, B2-66	129989	B2-50	130332	B9-24	130774	B9-12
129969	B2-24, B2-30, B2-35, B2-40, B2-44, B2-50, B2-54, B2-58, B2-62, B2-66	129990	B2-50	130333	B9-24	130775	B9-12
129970	B2-24, B2-30, B2-35, B2-40, B2-50, B2-54, B2-58, B2-62, B2-66	129991	B2-50	130334	B9-24	130776	B9-18
129971	B2-24, B2-30, B2-35, B2-40, B2-50, B2-54, B2-58, B2-62, B2-66	130044	B18-27	130335	B9-24	130777	B9-18
129972	B2-24, B2-30, B2-35, B2-40, B2-44, B2-50, B2-54, B2-58, B2-62, B2-66	130045	B18-27	130336	B9-24	130778	B9-18
129973	B2-24, B2-30, B2-35, B2-40, B2-44, B2-50, B2-54, B2-58, B2-62, B2-66	130047	B18-27	130337	B9-24	130779	B9-18
129974	B2-24, B2-30, B2-35, B2-40, B2-44, B2-50, B2-54, B2-58, B2-62, B2-66	130049	B18-27	130338	B9-24	130780	B9-18
129975	B2-24, B2-30, B2-35, B2-40, B2-54, B2-58, B2-62, B2-66	130050	B18-27	130339	B9-24	130781	B9-20
129976	B2-24, B2-30, B2-35, B2-40, B2-44, B2-54, B2-62	130051	B18-27	130340	B9-30	130782	B9-20
129977	B2-40, B2-44, B2-54, B2-62	130054	B18-27	130341	B9-30	130783	B9-20
129978	B2-24, B2-30, B2-35, B2-40, B2-44, B2-54, B2-62	130056	B18-27	130342	B9-30	130784	B9-20
129979	B2-24, B2-30, B2-35, B2-40, B2-44, B2-54, B2-62	130057	B18-27	130343	B9-30	130785	B9-20
129980	B2-24, B2-30, B2-35, B2-40, B2-44, B2-50, B2-54, B2-62, B2-66	130058	B18-27	130344	B9-30	130786	B9-20
129981	B2-24, B2-30, B2-35, B2-40, B2-44, B2-50, B2-54, B2-62, B2-66	130059	B18-27	130345	B9-30	130787	B9-20
129982	B2-24, B2-30, B2-35, B2-40, B2-50, B2-54, B2-62, B2-66	130060	B18-27	130346	B9-32	130788	B9-28
129983	B2-24, B2-30, B2-35, B2-40, B2-44, B2-50, B2-54, B2-62, B2-66	130062	B18-27	130347	B9-32	130789	B9-28
129984	B2-24, B2-30, B2-35, B2-40, B2-44, B2-50, B2-54, B2-62, B2-66	130066	B18-27	130348	B9-32	130790	B9-28
		130067	B18-27	130349	B9-32	130791	B9-28
		130068	B18-27	130350	B9-32	130792	B9-28
		130069	B18-27	130351	B9-32	130793	B9-32
		130070	B18-27	130352	B9-16	130794	B9-32
		130071	B18-27	130353	B9-16	130795	B9-32
		130073	B18-27	130354	B4-32	130796	B9-32
		130078	B18-27	130355	B4-32	130797	B9-32
		130276	B9-6	130356	B4-32	130798	B9-32
		130300	B9-34	130357	B4-32	130799	B9-32
		130301	B9-34	130358	B4-32	130831	B7-26
		130302	B9-34	130359	B4-32	130832	B7-26
		130303	B9-34	130360	B4-32	130833	B7-26
		130305	B9-34	130361	B4-32	130834	B7-26
		130306	B9-34	130362	B4-46	130835	B7-26
		130307	B9-34	130363	B4-46	130836	B7-26
		130308	B9-34	130364	B4-46	130837	B7-26
		130310	B9-6, B9-10	130365	B4-46	130838	B7-30
		130311	B9-6, B9-10	130366	B4-46	130839	B7-30
		130312	B9-8	130367	B4-40	130840	B7-30
		130313	B9-8	130368	B4-40	130841	B7-30
		130314	B9-8	130369	B4-40	130842	B7-30
		130315	B9-8	130370	B4-40	130843	B7-30
		130316	B9-8	130371	B4-40	130845	B7-34
		130317	B9-8	130372	B4-40	130846	B7-34
		130318	B9-10	130373	B4-40	130847	B7-34
		130319	B9-10	130689	B5-18	130848	B7-34
		130320	B9-10	130691	B5-18	130849	B7-34
		130321	B9-10	130692	B5-18	130850	B7-34
		130322	B9-10	130693	B5-18	130851	B7-34
		130323	B9-10	130694	B5-18	130852	B7-34
		130324	B9-6	130695	B5-18	130853	B7-34
		130325	B9-6	130696	B5-18	130854	B7-34
		130326	B9-16	130697	B5-18	130880	B7-24
				130698	B5-18	131050	B7-24
				130699	B5-18	131052	B7-24
				130700	B5-18	131054	B7-24
				130701	B5-18	131056	B7-24
				130702	B5-18	131057	B7-24



PART NUMBER INDEX

Part Number	Page	Part Number	Page	Part Number	Page	Part Number	Page
131058	B7-24	131180	B7-32	131339	B7-14	131747	B9-16
131059	B7-24	131182	B7-32	131340	B7-18	131748	B9-16
131060	B7-24	131185	B7-32	131341	B7-12	131749	B9-16
131061	B7-24	131186	B9-30	131342	B7-12	131800	B7-12, B7-16
131063	B7-24	131187	B9-30	131343	B7-28	131801	B7-12, B7-16
131064	B7-24	131188	B9-30	131356	B7-39	131802	B7-12
131065	B7-24	131189	B9-30	131357	B7-39	131803	B7-12
131066	B7-24	131190	B9-30	131358	B7-39	131804	B7-12
131067	B7-24	131191	B9-30	131359	B7-39	131805	B7-12
131070	B7-24	131192	B9-30	131360	B7-39	131806	B7-12
131071	B7-24	131193	B9-30	131361	B7-39	131807	B7-12
131072	B7-24	131194	B9-30	131363	B7-39	131808	B7-12
131074	B7-24	131195	B9-30	131364	B7-39	131809	B7-12
131075	B7-24	131196	B9-30	131365	B7-39	131810	B7-12
131077	B7-24	131197	B9-30	131366	B7-39	131811	B7-12
131079	B7-24	131198	B9-30	131377	B9-24	131812	B7-12
131082	B9-6	131204	B7-34	131378	B9-24	131813	B7-14
131083	B9-6	131206	B7-34	131379	B9-24	131814	B7-14
131084	B9-6	131207	B7-34	131380	B9-24	131815	B7-14
131085	B9-6	131208	B7-34	131381	B9-24	131816	B7-14
131100	B7-28	131209	B7-34	131382	B9-24	131817	B7-14
131102	B7-28	131210	B7-34	131383	B9-24	131818	B7-14
131104	B7-28	131211	B7-34	131384	B9-24	131819	B7-14
131106	B7-28	131213	B7-34	131385	B9-24	131820	B7-14
131107	B7-28	131214	B7-34	131386	B9-24	131821	B7-14
131108	B7-28	131215	B7-34	131387	B9-24	131830	B7-16
131109	B7-28	131216	B7-34	131388	B9-24	131831	B7-16
131110	B7-28	131217	B7-34	131389	B9-24	131832	B7-16
131111	B7-28	131220	B7-34	131432	B7-14	131833	B7-16
131113	B7-28	131221	B7-34	131433	B7-14	131834	B7-16
131114	B7-28	131222	B7-34	131434	B7-18	131835	B7-16
131115	B7-28	131225	B7-34	131435	B9-34	131836	B7-16
131116	B7-28	131227	B7-34	131436	B9-34	131837	B7-16
131117	B7-28	131230	B7-34	131437	B9-34	131838	B7-16
131120	B7-28	131232	B7-34	131438	B9-34	131839	B7-16
131121	B7-28	131235	B7-34	131439	B9-34	131840	B7-16
131122	B7-28	131238	B9-32	131440	B9-34	131841	B7-18
131125	B7-28	131239	B9-32	131441	B9-34	131842	B7-18
131127	B7-28	131240	B9-32	131442	B9-34	131843	B7-18
131130	B7-28	131241	B9-32	131443	B9-34	131844	B7-18
131132	B7-28	131243	B9-32	131444	B9-34	131845	B7-18
131135	B7-28	131244	B9-32	131445	B9-34	131846	B7-18
131137	B7-28	131245	B9-32	131446	B9-34	131847	B7-18
131154	B7-32	131246	B9-32	131447	B9-34	131848	B7-18
131156	B7-32	131248	B9-32	131536	B7-36	131849	B7-18
131157	B7-32	131249	B9-32	131537	B7-36	131895	B7-12
131158	B7-32	131250	B9-32	131540	B7-36	131896	B7-12
131159	B7-32	131259	B7-37	131542	B7-36	131897	B7-12
131160	B7-32	131260	B7-37	131545	B7-36	131900	B7-40
131161	B7-32	131261	B7-37	131589	B9-6	131902	B7-40
131163	B7-32	131263	B7-37	131737	B9-16	131904	B7-40
131164	B7-32	131264	B7-37	131738	B9-16	131906	B7-40
131165	B7-32	131265	B7-37	131739	B9-16	131907	B7-40
131166	B7-32	131266	B7-37	131740	B9-16	131908	B7-40
131167	B7-32	131275	B7-37	131741	B9-16	131909	B7-40
131170	B7-32	131276	B7-37	131742	B9-16	131910	B7-40
131171	B7-32	131317	B7-38	131743	B9-16	131911	B7-40
131172	B7-32	131325	B7-38	131744	B9-16	131912	B7-40
131175	B7-32	131327	B7-38	131745	B9-16	131913	B7-40
131177	B7-32	131335	B7-38	131746	B9-16	131914	B7-40

PART NUMBER INDEX



Part Number	Page	Part Number	Page	Part Number	Page	Part Number	Page
131915	B7-40	132388	B18-18	132956	B18-12	133961	B18-15
131916	B7-40	132389	B18-18	132957	B18-12	133980	B18-10
131918	B7-40	132420	B18-19	132958	B18-12	133981	B18-10
131919	B7-40	132421	B18-19	132959	B18-10	133982	B18-10
131920	B7-40	132422	B18-19	132983	B18-10	133983	B18-10
131923	B7-40	132423	B18-19	132984	B18-10	133984	B18-10
131924	B7-40	132424	B18-19	132985	B18-10	133985	B18-10
131927	B7-40	132425	B18-19	132986	B18-10	133986	B18-10
131928	B7-40	132426	B18-19	132987	B18-10	133987	B18-10
131931	B7-40	132427	B18-19	132988	B18-10	133988	B18-13
131933	B7-40	132428	B18-19	132989	B18-10	133989	B18-13
131934	B7-40	132429	B18-19	132990	B18-10	133990	B18-13
131970	B9-6	132430	B18-19	132991	B18-10	133991	B18-13
131971	B9-6	132474	B18-18	132992	B18-10	133992	B18-13
131972	B9-6	132475	B18-18	133203	B18-10	133993	B18-13
131973	B9-6	132476	B18-18	133245	B18-10	133994	B18-13
131974	B9-6	132477	B18-18	133250	B18-10	133995	B18-15, B18-17
131975	B9-6	132538	B18-17	133255	B18-10	133996	B18-15, B18-17
131976	B9-6	132539	B18-17	133260	B18-10	133997	B18-15, B18-17
131977	B9-6	132542	B18-18, B18-22	133265	B18-10	134186	B6-24
131978	B9-6	132546	B18-13, B18-18, B18-22	133270	B18-10	134187	B6-24
131979	B9-6			133275	B18-10	134188	B6-24
131980	B9-6	132547	B18-13, B18-18, B18-22	133280	B18-10	134189	B6-24
131981	B9-6			133285	B18-12	134190	B6-24
131982	B9-8	132548	B18-13, B18-18, B18-22	133292	B18-12	134191	B6-24
131983	B9-10			133293	B18-12	134192	B6-24
131984	B9-10	132549	B18-13, B18-18, B18-22	133294	B18-12	134193	B6-24
131985	B9-10			133295	B18-12	134194	B6-24
131986	B9-10	132559	B18-17	133296	B18-12	134195	B6-24
131987	B9-10	132564	B18-15, B18-17, B18-18, B18-22	133297	B18-12	134196	B6-24
131988	B9-10			133303	B18-17	134197	B6-24
131989	B9-10	132565	B18-15, B18-17, B18-18, B18-22	133304	B18-17	134200	B18-12
131990	B9-10			133305	B18-17	134201	B18-12
131991	B9-10	132566	B18-15, B18-17, B18-18, B18-22	133344	B18-10, B18-25	134202	B18-12
131992	B9-10			133392	B18-15	134203	B18-12
131993	B9-10	132567	B18-15, B18-22	133550	B18-15	134204	B18-12
131994	B9-10	132591	B18-17	133565	B18-17	134205	B18-12
131995	B9-10	132594	B18-17	133566	B18-17	134206	B18-12
131996	B9-6	132597	B18-17	133583	B18-10	134207	B18-12
132151	B18-18	132766	B18-15	133584	B18-10	134208	B18-12
132152	B18-18	132767	B18-15	133585	B18-10	134209	B18-12
132153	B18-18	132768	B18-15	133586	B18-10	134210	B18-12
132154	B18-18	132811	B18-18, B18-23	133590	B18-12	134211	B18-12
132155	B18-18	132814	B18-15, B18-17, B18-18, B18-23	133591	B18-12	134212	B18-12
132156	B18-18			133592	B18-12	134213	B18-12
132157	B18-18	132816	B18-15, B18-17, B18-18, B18-23	133593	B18-12	134516	B18-21
132158	B18-18			133594	B18-12	134517	B18-21
132159	B18-18	132819	B18-15, B18-17, B18-18, B18-23	133595	B18-12	134518	B18-21
132160	B18-18			133596	B18-12	134519	B18-21
132161	B18-18	132822	B18-15, B18-23	133669	B18-15	134520	B18-21
132192	B18-13, B18-25	132834	B18-26	133932	B18-13, B18-18, B18-23	134521	B18-21
132193	B18-13, B18-25	132924	B18-15			134716	B18-21
132198	B18-13, B18-25	132925	B18-15	133933	B18-13, B18-18, B18-23	134717	B18-21
132203	B18-19	132926	B18-15			134718	B18-21
132205	B18-19	132950	B18-10	133937	B18-13, B18-18, B18-23	134719	B18-21
132383	B18-18	132951	B18-10			134720	B18-21
132384	B18-18, B18-26	132952	B18-12	133938	B18-13, B18-18, B18-23	134721	B18-21
132385	B18-18	132953	B18-12			134779	B18-21
132386	B18-18	132954	B18-12	133959	B18-15	134796	B18-28
132387	B18-18	132955	B18-12	133960	B18-15	134798	B18-28



PART NUMBER INDEX

Part Number	Page	Part Number	Page	Part Number	Page	Part Number	Page
134800	B18-28	135708	B18-27	136150	B5-56	136221	B5-54, B5-58
134803	B18-28	135712	B18-27	136151	B5-56	136222	B5-54, B5-58
134806	B18-28	135716	B18-27	136152	B5-60	136223	B5-54, B5-58
134809	B18-28	135720	B18-27	136153	B5-60	136224	B5-56, B5-58
134869	B18-21	135724	B18-27	136154	B5-60	136225	B5-56, B5-58
134870	B18-21	135728	B18-27	136155	B5-60	136226	B5-56, B5-58
134871	B18-21	135732	B18-27	136156	B5-60	136227	B5-56, B5-58
134872	B18-21	135736	B18-27	136157	B5-60	136228	B5-56, B5-58
134873	B18-21	136070	B4-83	136158	B5-60	136229	B5-56, B5-58
134874	B18-21	136071	B4-83	136159	B5-52	136230	B5-58
134875	B18-21	136072	B4-83	136160	B5-52	136231	B5-60, B5-61
134876	B18-21	136073	B4-83	136161	B5-52	136232	B5-60, B5-61
134877	B18-21	136074	B4-83	136162	B5-52	136233	B5-60, B5-61
134886	B18-21	136075	B4-83	136163	B5-52	136234	B5-60, B5-61
134887	B18-21	136076	B4-83	136164	B5-52	136235	B5-60, B5-61
134888	B18-21	136080	B4-83	136165	B5-52	136236	B5-61
134889	B18-21	136081	B4-82, B4-83	136166	B5-52	136237	B5-61
134890	B18-21	136082	B4-82, B4-83	136167	B5-50, B5-52	136238	B5-50
134891	B18-21	136083	B4-82, B4-83	136168	B5-52	136239	B5-50
135081	B4-73	136084	B4-83	136169	B5-50, B5-52	136240	B5-50
135102	B4-73	136085	B4-83	136170	B5-58	136241	B5-50
135105	B4-73	136110	B5-50	136171	B5-58	136242	B5-50
135106	B4-73	136111	B5-50	136172	B5-58	136243	B5-50
135107	B4-73	136112	B5-50	136173	B5-58	136244	B5-50
135109	B4-73	136113	B5-50	136174	B5-58	136245	B5-50
135111	B4-73	136114	B5-50	136175	B5-58	136246	B5-50
135116	B4-78	136115	B5-50	136176	B5-58	136247	B5-54
135117	B4-78	136116	B5-50	136177	B5-58	136248	B5-54
135118	B4-78	136117	B5-50, B5-52	136178	B5-56, B5-58	136249	B5-54
135120	B4-78	136118	B5-50	136179	B5-58	136250	B5-54
135121	B4-78	136119	B5-50	136180	B5-56, B5-58	136251	B5-54
135123	B4-80	136120	B5-50	136181	B5-58	136252	B5-56
135125	B4-80	136122	B5-50	136182	B5-56, B5-58	136253	B5-56
135127	B4-80	136123	B5-50	136183	B5-58	136254	B5-56
135129	B4-80	136124	B5-50	136184	B5-58	136255	B5-56
135130	B4-80	136125	B5-50	136185	B5-58	136257	B5-56
135135	B18-27	136126	B5-50	136186	B5-61	136258	B5-20
135136	B18-27	136127	B5-50	136187	B5-61	136259	B5-20, B7-20
135137	B18-27	136128	B5-50	136188	B5-61	136260	B5-20
135138	B18-27	136129	B5-50	136189	B5-60, B5-61	136261	B5-20, B7-20
135170	B4-73	136130	B5-54	136190	B5-61	136262	B5-20, B7-20
135171	B4-72, B4-73	136131	B5-54	136191	B5-60, B5-61	136263	B5-20, B7-20
135172	B4-72, B4-73	136132	B5-54	136192	B5-61	136264	B5-20
135181	B4-80	136133	B5-54	136193	B5-60, B5-61	136265	B5-20
135182	B4-78	136134	B5-54	136194	B5-61	136266	B5-20
135183	B4-76, B4-80	136135	B5-54	136195	B5-61	136267	B5-20
135184	B4-76, B4-80	136136	B5-54	136196	B5-61	136268	B5-30
135185	B4-76, B4-80	136137	B5-54, B5-58	136197	B5-61	136269	B5-30
135290	B18-27	136138	B5-54	136198	B5-61	136270	B5-30
135291	B18-27	136139	B5-54	136210	B5-50	136271	B5-30
135292	B18-27	136140	B5-54	136211	B5-50, B5-52	136272	B5-30
135293	B18-27	136141	B5-54	136212	B5-50, B5-52	136273	B5-30
135294	B18-27	136142	B5-56	136213	B5-50, B5-52	136274	B5-30
135295	B18-27	136143	B5-56	136214	B5-50, B5-52	136275	B5-42
135296	B18-27	136144	B5-56	136215	B5-50, B5-52	136276	B5-42
135297	B18-27	136145	B5-56	136216	B5-50, B5-52	136277	B5-42
135298	B18-27	136146	B5-56	136217	B5-50, B5-52	136278	B5-42
135299	B18-27	136147	B5-56	136218	B5-50, B5-52	136279	B5-42
135700	B18-27	136148	B5-56	136219	B5-54	136280	B5-42
135704	B18-27	136149	B5-56	136220	B5-54, B5-58	136281	B5-42

PART NUMBER INDEX



Part Number	Page	Part Number	Page	Part Number	Page	Part Number	Page
136282	B5-42	136345	B5-34	136525	B5-8, B5-12, B5-16, B5-24, B5-26, B5-28, B5-32, B5-33, B5-34, B5-35, B5-38, B5-46, B5-50, B5-54, B5-62, B5-68	136535	B5-10, B5-14, B5-16, B5-18, B5-24, B5-26, B5-28, B5-33, B5-36, B5-40, B5-46, B5-50, B5-56, B5-60, B5-64, B5-68
136283	B5-42	136346	B5-34	136526	B5-8, B5-12, B5-16, B5-18, B5-24, B5-26, B5-28, B5-32, B5-33, B5-34, B5-35, B5-38, B5-46, B5-50, B5-54, B5-62, B5-68	136536	B5-10, B5-14, B5-16, B5-18, B5-26, B5-28, B5-36, B5-40, B5-46, B5-50, B5-56, B5-60, B5-64, B5-68
136284	B5-42	136347	B5-34	136527	B5-8, B5-12, B5-16, B5-18, B5-24, B5-26, B5-28, B5-32, B5-33, B5-34, B5-35, B5-38, B5-46, B5-50, B5-54, B5-62, B5-68	136537	B5-10, B5-14, B5-16, B5-18, B5-26, B5-28, B5-36, B5-40, B5-46, B5-50, B5-56, B5-60, B5-64, B5-68
136285	B5-42	136348	B5-34	136528	B5-8, B5-12, B5-16, B5-20, B5-22, B5-24, B5-26, B5-28, B5-30, B5-32, B5-33, B5-34, B5-35, B5-38, B5-42, B5-44, B5-46, B5-48, B5-50, B5-52, B5-54, B5-58, B5-62, B5-66, B5-68	136538	B5-10, B5-14, B5-16, B5-18, B5-26, B5-28, B5-36, B5-40, B5-46, B5-50, B5-56, B5-60, B5-64, B5-68
136286	B5-48	136349	B5-34	136529	B5-8, B5-12, B5-16, B5-18, B5-24, B5-26, B5-28, B5-32, B5-33, B5-34, B5-35, B5-38, B5-46, B5-50, B5-54, B5-62, B5-68	136539	B5-46, B5-56, B5-64, B5-68
136287	B5-48	136350	B5-34	136530	B5-10, B5-14, B5-16, B5-24, B5-26, B5-28, B5-36, B5-40, B5-46, B5-48, B5-50, B5-54, B5-64, B5-66, B5-68	136540	B5-10, B5-14, B5-16, B5-36, B5-40, B5-56, B5-64, B5-68
136288	B5-48	136351	B5-34	136531	B5-10, B5-14, B5-16, B5-24, B5-26, B5-28, B5-30, B5-36, B5-40, B5-46, B5-48, B5-50, B5-56, B5-64, B5-66, B5-68	136541	B5-20, B5-22, B5-30, B5-42, B5-44, B5-48, B5-52, B5-58, B5-66, B5-68
136289	B5-48	136352	B5-34	136532	B5-10, B5-14, B5-16, B5-18, B5-24, B5-26, B5-28, B5-36, B5-40, B5-46, B5-50, B5-56, B5-64, B5-68	136542	B5-20, B5-22, B5-30, B5-42, B5-44, B5-48, B5-52, B5-58, B5-66, B5-68
136290	B5-48	136353	B5-34	136533	B5-10, B5-14, B5-16, B5-18, B5-24, B5-26, B5-28, B5-36, B5-40, B5-46, B5-50, B5-56, B5-64, B5-68	136543	B5-20, B5-22, B5-30, B5-42, B5-44, B5-48, B5-52, B5-58, B5-66, B5-68
136291	B5-48	136354	B5-34	136534	B5-10, B5-14, B5-16, B5-24, B5-26, B5-28, B5-30, B5-36, B5-40, B5-46, B5-48, B5-50, B5-56, B5-64, B5-66, B5-68	136544	B5-20, B5-22, B5-30, B5-42, B5-44, B5-48, B5-52, B5-58, B5-61, B5-66, B5-68
136293	B5-48	136355	B5-32	136535	B5-10, B5-14, B5-16, B5-18, B5-24, B5-26, B5-28, B5-36, B5-40, B5-46, B5-50, B5-56, B5-64, B5-68	136545	B5-20, B5-22, B5-30, B5-42, B5-44, B5-48, B5-52, B5-58, B5-61, B5-66, B5-68
136294	B5-48	136356	B5-32	136536	B5-10, B5-14, B5-16, B5-18, B5-24, B5-26, B5-28, B5-36, B5-40, B5-46, B5-50, B5-56, B5-64, B5-68	136546	B5-20, B5-22, B5-30, B5-42, B5-44, B5-48, B5-52, B5-58, B5-61, B5-66, B5-68
136295	B5-48	136357	B5-32	136537	B5-10, B5-14, B5-16, B5-18, B5-24, B5-26, B5-28, B5-36, B5-40, B5-46, B5-50, B5-56, B5-64, B5-68	136547	B5-14, B5-20, B5-22, B5-36, B5-40, B5-42, B5-44, B5-48, B5-58, B5-61, B5-66, B5-68
136296	B5-52	136358	B5-32	136538	B5-10, B5-14, B5-16, B5-18, B5-24, B5-26, B5-28, B5-36, B5-40, B5-46, B5-50, B5-56, B5-64, B5-68	136548	B5-10, B5-14, B5-20, B5-22, B5-36, B5-40, B5-42, B5-44, B5-46, B5-48, B5-56, B5-58, B5-60, B5-61, B5-64, B5-66, B5-68
136297	B5-52	136359	B5-32	136539	B5-10, B5-14, B5-16, B5-18, B5-24, B5-26, B5-28, B5-36, B5-40, B5-46, B5-50, B5-56, B5-64, B5-68		
136298	B5-52	136360	B5-34				
136299	B5-52	136361	B5-34				
136300	B5-52	136362	B5-34				
136301	B5-52	136363	B5-34				
136302	B5-52	136364	B5-34				
136303	B5-58	136365	B5-24				
136304	B5-58	136366	B5-24				
136305	B5-58	136367	B5-24				
136306	B5-58	136368	B5-24				
136307	B5-58	136369	B5-24				
136308	B5-58	136370	B5-24				
136309	B5-58	136371	B5-24				
136310	B5-58	136383	B5-24				
136311	B5-58	136384	B5-24				
136312	B5-58	136385	B5-24				
136315	B2-66	136386	B5-24				
136316	B2-66	136387	B5-24				
136317	B2-66	136388	B5-24				
136318	B2-66	136389	B5-24				
136319	B2-66	136521	B5-8, B5-12, B5-16, B5-26, B5-28, B5-32, B5-34, B5-35, B5-38, B5-62, B5-68				
136320	B2-66						
136321	B2-66						
136322	B2-66						
136323	B2-66	136522	B5-8, B5-12, B5-16, B5-24, B5-26, B5-28, B5-32, B5-33, B5-34, B5-35, B5-38, B5-50, B5-54, B5-62, B5-68				
136324	B2-66						
136325	B2-66						
136326	B2-66						
136327	B2-66						
136328	B2-66						
136329	B2-66						
136330	B2-66						
136331	B5-32	136523	B5-8, B5-12, B5-16, B5-24, B5-26, B5-28, B5-32, B5-33, B5-34, B5-35, B5-38, B5-50, B5-54, B5-62, B5-68				
136332	B5-32						
136333	B5-32						
136334	B5-32						
136335	B5-32						
136336	B5-32						
136337	B5-32						
136338	B5-32	136524	B5-8, B5-16, B5-18, B5-24, B5-26, B5-28, B5-32, B5-33, B5-34, B5-35, B5-38, B5-50, B5-54, B5-62, B5-68				
136339	B5-32						
136340	B5-32						
136341	B5-32						
136342	B5-32						
136343	B5-34						
136344	B5-34						

PART NUMBER INDEX



Part Number	Page	Part Number	Page	Part Number	Page	Part Number	Page
136783	B1-16	136870	B1-24	136978	B2-38	389821	B18-25
136784	B1-18	136872	B1-24	136979	B2-38	389822	B18-25
136785	B1-18	136891	B1-32	136980	B2-39	389823	B18-25
136786	B1-18	136892	B1-32	136981	B2-39	389824	B18-25
136787	B1-18	136893	B1-32	136982	B2-39	389825	B18-25
136788	B1-18	136894	B1-32	136983	B2-39	389826	B18-25
136789	B1-18	136895	B1-32	136984	B2-39	389827	B18-25
136792	B1-18	136896	B1-32	136985	B2-39	389828	B18-25
136793	B1-20	136897	B1-30	136986	B1-15	389829	B18-25
136794	B1-20	136898	B1-30	136987	B1-19	389830	B18-25
136795	B1-20	136899	B1-30	136989	B1-16	389831	B18-25
136796	B1-20	136900	B1-30	136990	B1-18	389832	B18-25
136797	B1-20	136901	B1-30	136991	B1-20	389833	B18-25
136798	B1-20	136902	B1-30	136992	B1-24	389834	B18-25
136799	B1-20	136912	B2-29	136994	B1-32	389835	B18-25
136800	B1-20	136913	B2-29	136995	B1-30	389836	B18-25
136801	B1-24	136914	B2-29	136997	B2-38	389837	B18-25
136802	B1-24	136915	B2-29	136998	B2-39	389923	B4-97, B8-24
136803	B1-24	136916	B2-29	137101	B18-18	389924	B4-97, B8-24
136804	B1-24	136917	B2-29	137102	B18-18	389925	B8-24
136805	B1-24	136918	B2-29	137103	B18-18	389926	B8-24
136806	B1-24	136919	B2-29	137104	B18-18	389927	B8-24
136808	B1-24	136920	B2-34	137105	B18-18	389928	B8-24
136833	B1-32	136921	B2-34	137106	B18-18	389929	B8-24
136834	B1-32	136922	B2-34	137107	B18-18	389930	B8-24
136835	B1-32	136923	B2-34	137108	B18-18	389931	B8-24
136836	B1-32	136924	B2-34	137109	B18-18	389932	B8-24
136837	B1-32	136925	B2-34	137110	B18-18	389933	B8-24
136838	B1-32	136926	B2-34	137111	B18-18	389934	B8-24
136839	B1-32	136939	B2-38	139292	B5-48	389935	B8-24
136840	B1-32	136940	B2-38	163256	B5-56	389936	B8-24
136841	B1-30	136941	B2-38	230050	B17-44	389937	B8-24
136842	B1-30	136942	B2-38	230053	B17-44	389938	B8-24
136843	B1-30	136943	B2-38	230056	B17-44	389939	B8-24
136844	B1-30	136944	B2-38	230059	B17-44	389940	B8-24
136845	B1-30	136945	B2-38	230062	B17-44	389941	B8-24
136846	B1-30	136946	B2-38	230065	B17-44	405015	B17-34
136847	B1-30	136947	B2-39	230068	B17-44	407036	B15-112
136848	B1-30	136948	B2-39	230071	B17-44	407302	B15-112, B15-124
136849	B1-16	136949	B2-39	230074	B17-44	407305	B15-112, B15-124
136850	B1-16	136950	B2-39	230077	B17-44	407306	B15-124
136851	B1-16	136951	B2-39	230080	B17-44	416173	B19-38
136852	B1-16	136952	B2-39	230134	B17-44	416229	B19-38
136853	B1-16	136953	B2-39	230137	B17-44	416231	B19-38
136854	B1-16	136954	B2-39	230140	B17-44	416275	B19-38
136855	B1-18	136955	B2-29	231063	B17-52	419008	B15-113, B15-124
136856	B1-18	136956	B2-29	231069	B17-52	419150	B15-103, B15-111, B15-113, B15-124
136857	B1-18	136957	B2-29	231075	B17-52		
136858	B1-18	136958	B2-29	231081	B17-52	419151	B15-113, B15-124
136859	B1-18	136959	B2-29	231087	B17-52	419152	B15-103, B15-111, B15-113, B15-124
136860	B1-18	136960	B2-29	231096	B17-52		
136861	B1-20	136961	B2-34	231102	B17-52	419153	B15-113, B15-124
136862	B1-20	136962	B2-34	231108	B17-52	419154	B15-103, B15-111, B15-113, B15-124
136863	B1-20	136963	B2-34	231114	B17-52		
136864	B1-20	136964	B2-34	231120	B17-52	419156	B15-103, B15-111
136865	B1-20	136965	B2-34	231126	B17-52	419158	B15-103, B15-111, B15-115, B15-124
136866	B1-20	136974	B2-38	231135	B17-52		
136867	B1-24	136975	B2-38	231141	B17-52	419160	B15-103, B15-111, B15-115, B15-124
136868	B1-24	136976	B2-38	231150	B17-52		
136869	B1-24	136977	B2-38	389820	B18-25		



PART NUMBER INDEX

Part Number	Page	Part Number	Page	Part Number	Page	Part Number	Page
419162	B15-103, B15-111, B15-115, B15-124	421271	B15-101, B15-107, B16-31	422009	B15-28, B15-32, B15-33, B15-43, B15-54, B15-70, B16-34	422531	B15-84, B15-85, B15-92
419164	B15-103, B15-111, B15-115, B15-124	421272	B15-101, B15-107, B16-31			422535	B15-85, B15-91
419166	B15-103, B15-111, B15-115, B15-124	421273	B15-101, B15-107, B16-31	422011	B15-28, B15-33, B15-43, B15-54, B15-70, B16-34	422538	B15-31, B15-44, B15-71
419168	B15-103, B15-111, B15-115, B15-124	421274	B15-101, B15-107, B16-31			422542	B15-30, B15-35
419170	B15-103, B15-111, B15-115, B15-124	421275	B15-101, B15-107, B16-31	422013	B15-28, B15-33, B15-43, B15-70, B16-34	422543	B15-30, B15-34, B15-43, B15-70
419171	B15-103, B15-111	421276	B15-101, B15-107			422544	B15-30
419172	B15-103, B15-111, B15-115, B15-124	421277	B15-101, B15-107	422015	B15-28, B15-33, B15-43, B15-54, B15-70, B16-34	422545	B15-31, B15-34, B15-41, B15-84, B15-91
419174	B15-103, B15-111	421278	B15-101, B15-107			422554	B15-45, B15-125
419176	B15-103, B15-111, B15-115, B15-124	421279	B15-101, B15-107	422017	B15-28, B15-33, B15-43, B15-54, B15-70, B16-34	422555	B15-67
419178	B15-103, B15-111	421280	B15-101, B15-107			422556	B15-65
419180	B15-113, B15-124	421282	B15-85, B15-92, B16-43	422019	B15-28, B15-33, B15-43, B15-70, B16-34	422560	B15-30, B15-35
419181	B15-113, B15-124	421283	B15-85, B15-92			422567	B15-31, B15-44, B15-71
419182	B15-113, B15-124	421284	B15-85, B15-92	422021	B15-28, B15-33, B15-43, B15-70, B16-34	422571	B15-67
419183	B15-113, B15-124	421285	B15-84, B15-92			422572	B15-65
419184	B15-112, B15-124	421286	B15-84, B15-92	422023	B15-28, B15-33, B15-43, B15-54, B15-70	422573	B15-31, B15-34, B15-41, B15-69, B15-84, B15-91
419185	B15-112, B15-124	421287	B15-84, B15-85, B15-92, B16-45, B16-49			422576	B15-84, B15-93
419187	B15-112, B15-124	421288	B15-85, B15-92	422025	B15-28, B15-33, B15-43, B15-70	422580	B15-84
419188	B15-112, B15-124	421289	B15-85, B15-92			422582	B15-84, B15-92
420030	B16-47	421290	B15-84, B15-92	422027	B15-28, B15-33, B15-43, B15-54, B15-70	422588	B15-84, B15-91
421243	B13-16	421291	B15-84, B15-92			422594	B15-31, B15-41, B15-69, B15-84, B15-91
421244	B13-16	421292	B15-84, B15-92	422029	B15-28, B15-30, B15-33, B15-34, B15-43, B15-70	422595	B17-29
421245	B13-16	421293	B15-85, B15-92			422596	B17-29
421246	B13-16	421294	B15-84, B15-92	422030	B15-30, B15-34, B15-43, B15-70, B16-43	422597	B17-29
421247	B13-16	421362	B13-21			422599	B17-29
421248	B13-16	421363	B13-21	422031	B15-30, B15-34, B15-43, B15-70, B16-43, B16-47	422600	B17-29
421249	B13-16	421364	B13-21			422601	B17-29
421250	B13-16	421365	B13-21	422035	B15-95, B15-98	422602	B17-29
421251	B13-16	421366	B13-21	422036	B15-85, B15-92	422603	B17-29
421252	B13-16	421367	B13-21	422054	B15-85, B15-92	422604	B11-45
421253	B13-16	421368	B13-21	422064	B15-28, B15-33, B15-43, B15-70	422606	B15-31, B15-41, B15-69
421254	B13-16	421369	B13-21			422843	B15-85, B15-93
421255	B13-16	421370	B13-21	422123	B15-26, B15-32, B15-43, B15-70, B16-34	422844	B15-84, B15-85, B15-92
421256	B13-16	421371	B13-21			422978	B16-34
421257	B13-16	421372	B13-21	422124	B15-26, B15-32, B15-43, B15-70, B16-34	422979	B16-34
421258	B13-16	421396	B16-31			422980	B15-48, B15-50
421259	B13-16	421399	B16-35	422134	B15-26, B15-32, B15-43, B16-34	422981	B15-48, B15-50
421260	B16-31	421403	B16-45, B16-49			422982	B15-48, B15-50
421261	B16-31	422001	B15-26, B15-32, B15-43, B15-54, B15-70, B16-34	422137	B15-26, B15-32, B15-43, B16-34	422983	B15-48, B15-50
421262	B16-31					422984	B15-48, B15-50
421263	B16-31	422003	B15-26, B15-32, B15-43, B15-70, B16-34	422140	B15-95, B15-98	422985	B15-48, B15-50
421264	B16-31			422502	B15-84	422986	B15-48, B15-49, B15-50, B15-51
421265	B15-101, B15-107, B16-31	422005	B15-26, B15-32, B15-43, B15-54, B15-70, B16-34	422511	B15-84, B15-92	422987	B15-49, B15-51
421266	B15-101, B15-107, B16-31	422007	B15-26, B15-32, B15-43, B15-70, B16-34	422525	B15-85, B15-93	422988	B15-49, B15-51
421267	B15-101, B15-107, B16-31			422529	B15-84, B15-85	422989	B15-49, B15-51
421268	B15-101, B15-107, B16-31					422990	B15-49, B15-51
421269	B15-101, B15-107, B16-31					422991	B15-49, B15-51
421270	B15-101, B15-107, B16-31					422992	B15-49, B15-51

PART NUMBER INDEX



Part Number	Page	Part Number	Page	Part Number	Page	Part Number	Page
422996	B16-31	430087	B17-34	434774	B18-24	460906	B15-101, B15-111, B15-124
423100	B15-98, B16-39	430153	B18-29	434775	B18-24	492598	B17-29
423102	B15-95, B15-98, B16-39	430155	B18-13, B18-15, B18-17	434797	B18-25	496400	B16-37
423104	B15-95, B15-98, B16-39	430198	B18-13	434835	B18-26	496401	B16-37
423106	B15-95, B15-98, B16-39	430561	B18-15	435001	B18-24	496402	B16-37
423108	B15-95, B15-98, B16-39	430831	B18-15	435002	B18-24	496403	B16-37
423110	B15-95, B15-98, B16-39	431389	B18-15	435003	B18-24	496404	B16-37
423112	B15-98	431399	B18-15	435004	B18-24	496405	B16-37
423114	B15-95, B15-98	432153	B18-13	435005	B18-24	496406	B16-37
423116	B15-95, B15-98	432165	B18-21	435006	B18-24	496407	B16-37
423118	B15-95, B15-98	432181	B18-13, B18-18, B18-23	435007	B18-24	496408	B16-37
423120	B15-95, B15-98	432184	B18-13, B18-18, B18-23	435008	B18-24	496409	B16-37
423122	B15-95, B15-98	432187	B18-13, B18-18, B18-23	435009	B18-24	496410	B16-37
423124	B15-112, B15-121, B16-37	432190	B18-13, B18-18, B18-22	435010	B18-24	496411	B16-37
423125	B15-112, B15-121, B16-37	432193	B18-13, B18-18, B18-22	435011	B18-24	496412	B16-39
423126	B15-112, B15-121, B16-37	432196	B18-13, B18-18, B18-22	435012	B18-24, B18-25	496413	B16-39
423127	B15-112, B15-121, B16-37	432276	B18-21	435013	B18-24, B18-25	496414	B16-39
423128	B15-112, B15-121, B16-37	432277	B18-21	435014	B18-24	496415	B16-39
423129	B15-112, B15-121, B16-37	432278	B18-21	435015	B18-24, B18-25	496416	B16-39
423130	B15-112, B15-121, B16-37	432279	B18-21	435016	B18-24, B18-25	496417	B16-39
423131	B15-112, B15-121, B16-37	432448	B18-21	435017	B18-24	496418	B16-39
423132	B15-114, B15-121, B16-37	433326	B18-29	435018	B18-24, B18-25	496419	B16-39
423133	B15-114, B15-121	434706	B18-31	435019	B18-24, B18-25	496420	B16-39
423134	B15-114, B15-121	434707	B18-31	435021	B18-25	496421	B16-39
423135	B15-114, B15-121	434708	B18-31	435027	B18-24	496422	B16-39
423136	B15-114, B15-121	434709	B18-31	435028	B18-24	496423	B16-39
423137	B15-114, B15-121	434710	B18-31	435029	B18-24	496424	B16-39
423138	B15-114, B15-121	434711	B18-31	435030	B18-24	496425	B16-39
423139	B15-114, B15-121	434712	B18-31	435031	B18-24	496426	B16-39
423140	B15-114, B15-121	434713	B18-31	435032	B18-24	496427	B16-39
423143	B15-112, B15-121, B16-37	434714	B18-31	435033	B18-25	496428	B16-39
423144	B15-112, B15-121, B16-37	434715	B18-31	435035	B18-25	496429	B16-39
423145	B16-37	434716	B18-31	435036	B18-25	496430	B16-39
423372	B15-95, B15-98, B16-39	434719	B18-11, B18-26	435037	B18-25	496431	B16-39
423373	B15-95, B15-98, B16-39	434720	B18-26	435038	B18-25	496432	B16-39
423374	B16-39	434721	B18-13, B18-18, B18-26	435039	B18-25	496433	B16-39
423375	B16-39	434722	B18-26	435040	B18-25	496434	B16-39
423376	B16-39	434725	B18-13, B18-18, B18-26	456225	B17-57	496435	B16-39
430020	B4-102, B5-73, B6-62, B6-65, B6-67	434726	B18-26	456226	B17-57	496436	B16-39
430081	B17-34	434727	B18-13, B18-15, B18-18, B18-26	456227	B17-57	496437	B16-39
430086	B17-34	434728	B18-26	456228	B17-57	496438	B16-39
		434729	B18-15, B18-17, B18-18, B18-26	456229	B17-57	496439	B16-39
		434730	B18-26	456230	B17-57	496440	B16-39
		434735	B18-18, B18-26	456231	B17-57	496442	B16-39
		434736	B18-26	456232	B17-57	496443	B16-39
		434770	B18-24	456234	B17-57	496444	B16-39
		434771	B18-24, B18-25	456235	B17-57	496446	B16-33
		434772	B18-24, B18-25	456236	B17-57	496447	B16-33
		434773	B18-24, B18-25	456237	B17-57	496448	B16-33
				456238	B17-57	496449	B16-33
				456239	B17-57	496450	B16-33
				460901	B15-101, B15-111, B15-112, B15-124	496451	B16-33
				460902	B15-101, B15-111, B15-112, B15-124	496452	B16-33
				460903	B15-101, B15-111, B15-112, B15-124	496453	B16-33
				460904	B15-101, B15-111	496454	B16-33
				460905	B15-101, B15-111, B15-124	496455	B16-33
						496456	B16-33
						496457	B16-33
						496458	B16-33



PART NUMBER INDEX

Part Number	Page	Part Number	Page	Part Number	Page	Part Number	Page
496459	B16-33	703739	B16-43, B16-47	713641	B16-30, B16-41	738152	B16-30
496460	B16-33	703831	B16-45, B16-49	713647	B16-30, B16-41	738154	B16-30
496461	B16-33	703840	B16-45, B16-49	719372	B16-35	738155	B16-30
496462	B16-33	703850	B16-45, B16-49	719373	B16-35	738157	B16-30, B16-41
496464	B16-33	703866	B16-45, B16-49	719374	B16-35	738158	B16-30, B16-41
496465	B16-33	703873	B16-45, B16-49	719375	B16-35	738160	B16-30, B16-41
496466	B16-33	703890	B16-45, B16-49	719376	B16-35	738162	B16-30, B16-41
496467	B16-33	703892	B16-45, B16-49	719378	B16-35	738163	B16-41
496468	B16-33	703903	B16-45, B16-49	719379	B16-35	738164	B16-30
496469	B16-33	703941	B16-34	719380	B16-35	738165	B16-41
496470	B16-33	703943	B16-31	719381	B16-35	738166	B16-30
496471	B16-33	703951	B16-34	719382	B16-35	738167	B16-41
496472	B16-33	703967	B16-31, B16-34	719383	B16-35	738168	B16-30
496473	B16-33	703971	B16-34	719385	B16-35	738169	B16-41
496474	B16-33	703976	B16-31	719397	B16-39	738170	B16-30
496475	B16-33	703982	B16-34	719400	B16-35	739145	B16-35
496476	B16-33	703989	B16-34	719406	B16-35	739150	B16-35
496477	B16-33	703990	B16-31	719408	B16-35	739153	B16-35
496478	B16-33	703996	B16-34	719419	B16-41	739154	B16-35
496479	B16-33	708959	B16-30, B16-34, B16-37, B16-39	719420	B16-41	739329	B16-34
496480	B16-33			719421	B16-41	740381	B16-30, B16-34
496482	B16-34	708966	B16-30, B16-34, B16-37, B16-39, B16-41	719422	B16-41	740382	B16-30, B16-34
496483	B16-34			719423	B16-41	740383	B16-30, B16-34, B16-41
496484	B16-34			719425	B16-41		
496485	B16-34	708970	B16-30, B16-34, B16-37, B16-39, B16-41	719429	B16-41	740384	B16-30, B16-34, B16-41
496486	B16-34			719432	B16-43, B16-47		
496487	B16-34			719434	B16-43, B16-47	740452	B16-31, B16-35, B16-37, B16-39
496488	B16-34	708976	B16-30, B16-34, B16-37, B16-39, B16-41	719437	B16-43, B16-47		
496489	B16-34			719441	B16-43, B16-47	740453	B16-31, B16-35, B16-37, B16-39
496490	B16-34			719443	B16-43, B16-47		
496491	B16-34	708983	B16-30, B16-34, B16-37, B16-39, B16-41	719445	B16-43, B16-47	740623	B16-31
496492	B16-34			719446	B16-43, B16-47	741031	B16-31
496493	B16-34			719448	B16-43, B16-47	741550	B16-31
496494	B16-34	708989	B16-41	719480	B16-45, B16-49	744975	B16-12
496495	B16-34	709137	B16-30, B16-34	719485	B16-45, B16-49	744976	B16-12
496496	B16-34	709140	B16-30, B16-34, B16-37, B16-39	719489	B16-45, B16-49	744977	B16-12
496497	B16-34			719491	B16-45, B16-49	744978	B16-12
496498	B16-34	709143	B16-30, B16-34, B16-37, B16-39	719492	B16-45, B16-49	744979	B16-12
701659	B16-35			719499	B16-34, B16-35	744980	B16-12
702830	B16-35	709146	B16-30, B16-34, B16-37, B16-39	725341	B16-30	744981	B16-12
702844	B16-35			725342	B16-30, B16-41	744982	B16-12
702857	B16-35	709152	B16-30, B16-34, B16-37, B16-39	725343	B16-30, B16-41	744983	B16-12
702867	B16-35			725344	B16-30, B16-41	744984	B16-12
702883	B16-35	709162	B16-30, B16-34, B16-37, B16-39	725345	B16-30, B16-41	744985	B16-12
702893	B16-35			725346	B16-41	744986	B16-12
702904	B16-35	709166	B16-30, B16-34, B16-37, B16-39	725357	B16-30	744987	B16-12
702907	B16-35			725358	B16-30	744988	B16-12
703619	B16-41	712225	B16-31, B16-35	725359	B16-30	744989	B16-12
703628	B16-41	713571	B16-30	725360	B16-30	744990	B16-12
703644	B16-41	713579	B16-30	725361	B16-30	744991	B16-12
703656	B16-41	713586	B16-30	725363	B16-30	747025	B16-30, B16-33
703661	B16-41	713588	B16-30	725364	B16-30	747026	B16-30, B16-33, B16-37, B16-39
703670	B16-41	713596	B16-30, B16-41	725366	B16-30		
703679	B16-41	713600	B16-30	734772	B18-25	747027	B16-30, B16-33, B16-37, B16-39
703689	B16-41	713603	B16-30, B16-41	738145	B16-30		
703694	B16-43, B16-47	713613	B16-30, B16-41	738146	B16-30	747028	B16-30, B16-33, B16-37, B16-39
703711	B16-43, B16-47	713616	B16-30	738147	B16-30		
703725	B16-43, B16-47	713622	B16-30, B16-41	738148	B16-30	747029	B16-30, B16-33, B16-37, B16-39
703726	B16-43	713633	B16-30	738149	B16-30		
703738	B16-43, B16-47	713634	B16-30, B16-41	738151	B16-30		

PART NUMBER INDEX



Part Number	Page	Part Number	Page	Part Number	Page	Part Number	Page
747030	B16-30, B16-33, B16-37, B16-39	747132	B16-31, B16-34, B16-35	747205	B16-26	747342	B16-34
747031	B16-30, B16-33, B16-37, B16-39	747135	B16-37, B16-39	747206	B16-26	747343	B16-34
747032	B16-30, B16-33, B16-37	747136	B16-41	747207	B16-26	747344	B16-34
747033	B16-30, B16-33, B16-37, B16-39	747137	B16-31, B16-34, B16-35	747208	B16-26	747384	B16-34
747034	B16-30, B16-33, B16-37, B16-39	747138	B16-41	747209	B16-26	747385	B16-34
747035	B16-30, B16-33, B16-37, B16-39	747139	B16-37, B16-39	747210	B16-26	747386	B16-34
747036	B16-30, B16-33, B16-37, B16-39	747141	B16-31, B16-34	747211	B16-26	747387	B16-34
747037	B16-30, B16-33, B16-37, B16-39	747142	B16-41	747212	B16-26	747388	B16-34
747038	B16-30, B16-33	747143	B16-31, B16-34	747213	B16-26	747389	B16-34
747039	B16-30, B16-33	747144	B16-41	747214	B16-26	747390	B16-34
747040	B16-30, B16-33	747145	B16-41	747215	B16-26	747391	B16-34
747041	B16-30, B16-33	747146	B16-31, B16-34	747216	B16-26	747392	B16-34
747042	B16-41	747148	B16-41	747217	B16-26	747393	B16-34
747043	B16-41	747149	B16-31, B16-34	747218	B16-26	747394	B16-34
747044	B16-41	747150	B16-41, B16-45, B16-49	747219	B16-26	747395	B16-34
747045	B16-41	747151	B16-41	747220	B16-26	747396	B16-34
747046	B16-41	747152	B16-31, B16-34	747221	B16-26	747397	B16-34
747047	B16-41	747154	B16-45, B16-49	747222	B16-26	747398	B16-34
747048	B16-41	747155	B16-43, B16-47	747223	B16-26	747399	B16-34
747049	B16-41	747156	B16-45, B16-49	747224	B16-26	747400	B16-34
747105	B16-31, B16-34, B16-35	747157	B16-45, B16-49	747225	B16-26	747600	B16-45
747107	B16-37, B16-39	747158	B16-45, B16-49	747226	B16-26	747601	B16-45
747108	B16-31, B16-34, B16-35	747159	B16-43, B16-47	747227	B16-26	747602	B16-43
747110	B16-37, B16-39	747161	B16-43, B16-47	747228	B16-26	747603	B16-45
747111	B16-31, B16-34, B16-35	747162	B16-45, B16-49	747229	B16-26	747604	B16-43, B16-45
747114	B16-37, B16-39	747164	B16-45, B16-49	747230	B16-26	747605	B16-43
747115	B16-31, B16-34, B16-35	747166	B16-43, B16-47	747231	B16-26	747606	B16-45
747117	B16-37, B16-39	747167	B16-43, B16-47	747232	B16-26	747607	B16-43, B16-45
747118	B16-31, B16-34, B16-35	747168	B16-45, B16-49	747233	B16-26	747608	B16-43
747120	B16-37, B16-39	747170	B16-45, B16-49	747234	B16-26	747609	B16-45
747121	B16-31, B16-34, B16-35	747171	B16-43, B16-47	747235	B16-26	747610	B16-43, B16-45
747122	B16-37, B16-39	747172	B16-43, B16-47	747236	B16-26	747611	B16-43
747123	B16-31, B16-34, B16-35	747173	B16-45, B16-49	747237	B16-26	747612	B16-45
747124	B16-37	747174	B16-43, B16-47	747238	B16-26	747613	B16-43
747125	B16-31, B16-34, B16-35	747175	B16-45, B16-49	747239	B16-26	747614	B16-45
747126	B16-37, B16-39	747177	B16-35	747240	B16-26	747622	B16-49
747128	B16-31, B16-34, B16-35	747178	B16-35	747241	B16-26	747623	B16-49
747129	B16-37, B16-39	747179	B16-35	747242	B16-26	747624	B16-47
747130	B16-31, B16-34, B16-35	747180	B16-35	747243	B16-26	747625	B16-49
747131	B16-37, B16-39, B16-41	747181	B16-35	747244	B16-26	747626	B16-47, B16-49
		747182	B16-35	747245	B16-26	747627	B16-47
		747183	B16-35	747246	B16-26	747628	B16-49
		747184	B16-35	747247	B16-26	747629	B16-47, B16-49
		747185	B16-35	747248	B16-26	747630	B16-47
		747186	B16-35	747249	B16-26	747631	B16-49
		747187	B16-35	747250	B16-26	747632	B16-47, B16-49
		747188	B16-35	747328	B16-34	747633	B16-47
		747189	B16-31, B16-35	747329	B16-34	747634	B16-49
		747190	B16-31, B16-35	747330	B16-34	747635	B16-47
		747191	B16-31, B16-35	747331	B16-34	747636	B16-49
		747192	B16-31, B16-35	747332	B16-34	747666	B16-43, B16-47
		747193	B16-31, B16-35	747333	B16-34	747667	B16-43, B16-45, B16-47, B16-49
		747194	B16-31, B16-35	747334	B16-34		
		747195	B16-31, B16-35	747335	B16-34	747668	B16-43, B16-47
		747199	B16-26	747336	B16-34	747669	B16-43, B16-45, B16-47, B16-49
		747201	B16-26	747337	B16-34		
		747202	B16-26	747338	B16-34	747670	B16-43, B16-47
		747203	B16-26	747339	B16-34	747671	B16-43, B16-45, B16-47, B16-49
		747204	B16-26	747340	B16-34		
				747341	B16-34	747672	B16-43, B16-47



PART NUMBER INDEX

Part Number	Page	Part Number	Page	Part Number	Page	Part Number	Page
747673	B16-43, B16-47	747937	B16-12				
747681	B16-45, B16-49	747940	B16-12				
747682	B16-45, B16-49	747941	B16-12				
747683	B16-45, B16-49	747944	B16-12				
747684	B16-45, B16-49	747945	B16-12				
747686	B16-45, B16-49	747948	B16-12				
747688	B16-45, B16-49	747949	B16-12				
747690	B16-45, B16-49	747952	B16-12				
747706	B16-43, B16-47	747953	B16-12				
747707	B16-43, B16-45, B16-47, B16-49	747956	B16-12				
747708	B16-43, B16-47	747957	B16-12				
747709	B16-43, B16-45, B16-47, B16-49	747960	B16-12				
747710	B16-43, B16-47	747961	B16-12				
747711	B16-43, B16-45, B16-47, B16-49	747964	B16-12				
747712	B16-43, B16-47	747965	B16-12				
747713	B16-43, B16-47	747968	B16-12				
747721	B16-45, B16-49	747969	B16-12				
747722	B16-45, B16-49	747972	B16-12				
747723	B16-45, B16-49	747973	B16-12				
747724	B16-45, B16-49	747976	B16-12				
747726	B16-45, B16-49	747977	B16-12				
747728	B16-45, B16-49	747980	B16-12				
747730	B16-45, B16-49	747981	B16-12				
747746	B16-45, B16-49	747984	B16-12				
747747	B16-45, B16-49	747985	B16-12				
747748	B16-43, B16-47	747988	B16-12				
747749	B16-45, B16-49	747989	B16-12				
747750	B16-43, B16-45, B16-47, B16-49	747992	B16-12				
747751	B16-43, B16-47	747993	B16-12				
747753	B16-43, B16-45, B16-47, B16-49	747996	B16-12				
747754	B16-43, B16-47	747997	B16-12				
747756	B16-43, B16-45, B16-47, B16-49	748000	B16-12				
747757	B16-43, B16-47	748001	B16-12				
747759	B16-43, B16-47	748004	B16-12				
747760	B16-45, B16-49	748005	B16-12				
747900	B16-12	748008	B16-12				
747901	B16-12	748009	B16-12				
747904	B16-12	748012	B16-12				
747905	B16-12	748013	B16-12				
747908	B16-12	1029557	B2-58				
747909	B16-12	B48371	B18-21				
747912	B16-12	C11235	B18-21				
747913	B16-12	C14203	B18-21				
747916	B16-12						
747917	B16-12						
747920	B16-12						
747921	B16-12						
747924	B16-12						
747925	B16-12						
747928	B16-12						
747929	B16-12						
747932	B16-12						
747933	B16-12						
747936	B16-12						

Plummer Blocks

Sleeve Bearings

SLEEVOIL

Take-Up Frames

Engineering

Part Number Index

Keyword Index

Type E-Xtra, Type K, Double-Interlock, TAF – E-Tect Seal Kits	B10-64	Selection	D-Lok Ball Bearings	B6-6
Type K, Double-Interlock and TAF End Covers	B10-66		Eccentric Collar	B7-6
N			Eccentric SXV Collar	B9-3
Nomenclature			E-Z Kleen	B2-9
D-Lok Ball Bearings	B6-5		Grip Tight	B5-5
Eccentric Collar	B7-5		Imperial – IP, ISAF ISN and ISNX	B14-14
Grip Tight	B5-4		Imperial-HD	B14-27
Imperial – IP, ISAF and ISN			Imperial-IP	B14-26
Imperial-IP	B14-9		ISAF	B14-28
ISAF	B14-11		ISNX	B14-16
ISN and ISNX HYD	B14-13		Imperial Spherical Roller Bearings	B14-17
Plummer Blocks – ISN	B16-6		Imperial Housing Styles	B16-7
S-2000	B12-5		Plummer Blocks	
Setscrew Ball Bearings	B4-102		ISN Easy Selection	B16-9
Sleeve Bearings	B17-5		ISN Plummer Blocks with Labyrinth Seals	B16-14
Sleevoil	B18-7		ISN Plummer Blocks with Trident Seals	B16-12
Specialty Tapered	B11-22, B11-48		ISN Ratings	B16-8
Type C	B11-6		S-2000	B12-7
Take-Up Frames	B19-7		Setscrew Ball Bearings	B3-5, B4-6
Type E-Xtra, Type K, Double-Interlock, TAF and EXL	B10-10		Setscrew VSC Ball Bearings	B8-3
Unified SAF	B15-8		Sleeve Bearings	B17-6
UNISPHERE II	B13-3		Babbitted and Bronze-Bushed	B17-34
O			Specialty Tapered	
Oil Level and Filtration System – Sleeveoil	B18-30		Special Duty	B11-23
Oil Ring – Sleeveoil	B18-27		Type C	B11-7
Oil Viscosity Classification	B20-22		TAF - Smart Stock Selections	B10-67
Overhung Loads	B20-36		Type E-Xtra - Metric	B10-68
P			Type E-Xtra, Type K, Double-Interlock, TAF and EXL	B10-11
Plummer Blocks	B16-1		Unified SAF	B15-19
Proguard Plus Seal	B4-98		Unified Pillow Block	B15-13
Proguard Plus Seal – D-Lok®	B6-62		Selection – Specialty Tapered – All Steel	B11-49
Proguard Plus Seal – Setscrew Ball Bearings	B4-98		UNISPHERE II	B13-4
Properties of Sections	B20-38		Selection/Dimensions	
R			Cool Lube 2 System	B15-131
Radial Loads – Inch and Metric	B9-4		D-Lok	B6-10
Related Products			E-Z Kleen	B2-26
Ball Bearing End Covers	B4-102		Eccentric Collar	B7-12
D-Lok	B6-65		Eccentric SXV Collar	B9-6
Eccentric Collar	B7-47		Extreme Duty Setscrew Ball Bearings	B3-8
Eccentric SXV Collar	B9-37		Grip Tight	B5-8
Grip Tight	B5-70		Grip Tight – Thin Wall Adapter Ball Bearings	B5-76
Setscrew Ball Bearings – High Temp SC and SCM	B4-99		Setscrew Ball Bearings	B4-12
S			Setscrew VSC Ball Bearings	B8-8
S-2000	B12-1		Sleeve Bearings	B17-10, B19-43
Seals			Babbitted	B17-38
Seals – D-Lok Ball Bearings	B6-62		Bronze-Bushed	B17-50
Eccentric SXV Collar	B9-36		Bronzoil	B17-54
Setscrew Ball Bearings	B4-3		Shaft Collars	B17-57
Unified SAF	B15-19			

Sleevoil		Specialty Tapered Products	B11-1
R Series	B18-10	Specification	
RTL Series	B18-18	E-Family	B10-8
RXT Series	B18-20	Specialty Tapered – Type C	B11-5
Specialty Tapered		Imperial – IP, ISAF and ISN	B14-5
All Steel	B11-54	Imperial – IP, ISAF and ISN – Imperial-HD	B14-7
Special Duty Flange Bearing	B11-36	S-2000	B12-4
Special Duty Hinged Cap	B11-42	Sleevoil	B18-7
Special Duty Pillow Block	B11-30	Specialty Tapered	
Special Duty Units	B11-38	All Steel	B11-46
Type C	B11-8	Special Duty Hinged Cap	B11-20
Take-Up Frames		Unified SAF	B15-7
Spherical Roller Bearings	B19-25, B19-29	UNISPHERE II	B13-3
Take-Up Bearings – Type A & B	B19-45	Sleeve Bearings	B17-4
Telescoping	B19-15	Strength and Physical Properties of Various Metals	B20-37
Take-Up Frames	B19-8	T	
Bronzoil	B19-44	Take-Up Frames	B19-1
Center Pull	B19-26	Torque and Horsepower Equivalents	B20-36
Heavy Duty Protected Screw	B19-36	Trigonometric Formula	B20-40
Light Duty Protected Screw	B19-30	U	
Narrow Slot	B19-8	U. S. Standard Sheet Metal Gages	B20-39
Top Angle Protected Screw	B19-20	Ultra Kleen Mounted Bearings	B1-1
TPHU	B19-24	Unified SAF	B15-1
Wide Slot	B19-11	UNISPHERE II	B13-1
Tapered Roller Bearings	B19-29	V	
Type E-Xtra, Type K, Double-Interlock, TAF and EXL	B10-21	V-Belt Cross Sections - Nominal	B20-11
Unified SAF		V-Belt Drive Formulas	B20-10
SAF-XT and SAFS	B15-55	Vibration Detector Adapter Kit – Sleeveoil	B18-29
Split-Spher	B15-72	Vibration Frequencies	B20-2
USAF	B15-94		
USAF 500	B15-26		
USDAF	B15-82		
Ultra Kleen	B1-15		
Setscrew Ball Bearings	B4-1		
Setscrew VSC Ball Bearings	B8-1		
Shafts			
Shaft Bearings	B20-17		
Shaft Couplings	B20-17		
Shaft Diameters – Selection	B20-15		
Shaft Keyseats	B20-17		
Shafting	B20-14		
Other Than Standard	B20-17		
Steel – Weights and Properties	B20-20		
Shafting Expansion	B20-19		
High Speed	B20-17		
Stepped	B20-17		
Sleeve Bearings	B17-1		
Sleevoil®	B18-1		

MERCIER ELECTRICITE
 22 rue de Montréal
 Zone acti sud
 85000 LA ROCHE SUR YON
 Tel. 02 51 36 38 94
 Fax. 02 51 36 32 96